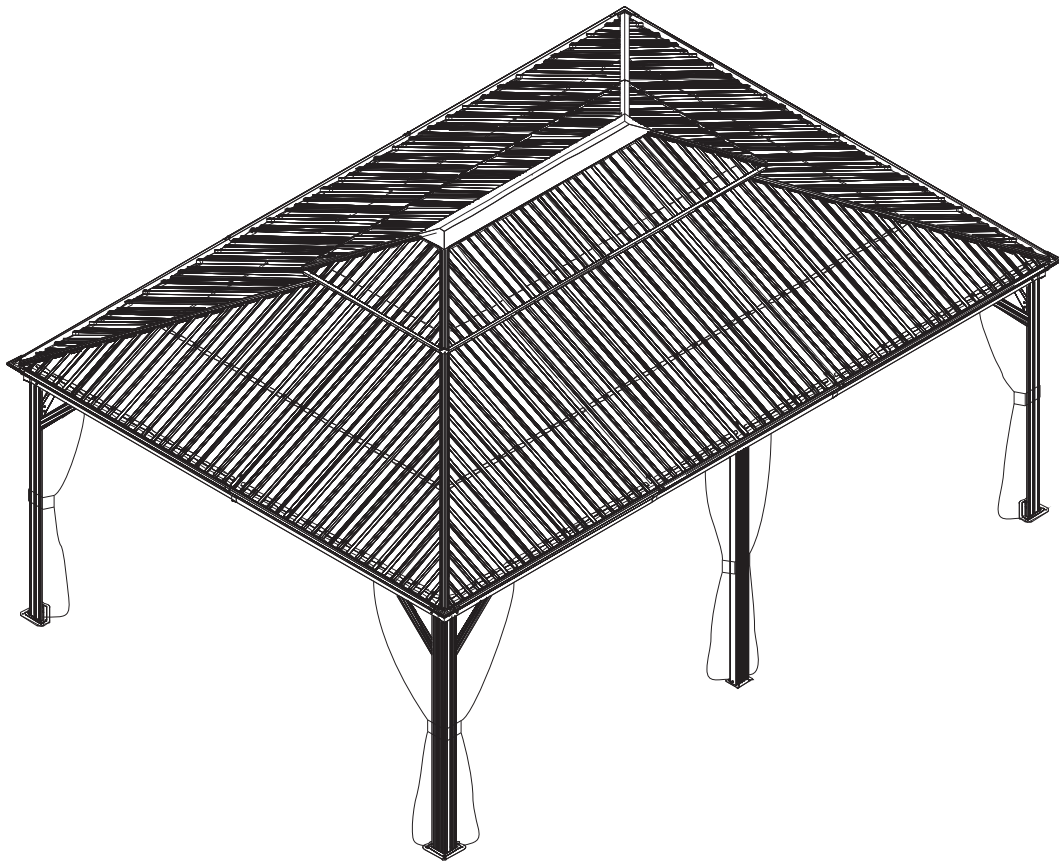




14'x20' Metal Gazebo

ASSEMBLY MANUAL



MODEL#: LGMF1613

Missing part? Damaged? Contact us via email at

service@domioutdoorliving.com

www.domioutdoorliving.com

Pre-assembly



1. Two or more people are required for assembly.



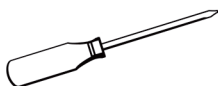
2. You will need one or more stepladders.



3. Wearing protective gloves is recommended.



4. You may need a safety hat.



5. Please use a Phillips screw driver.



6. For ease of construction, you may need a drill.



7. You may need a safety goggle.



8. Do not fully tighten screws prior to complete assembly.

Warning & Attention

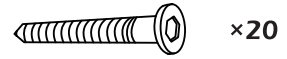
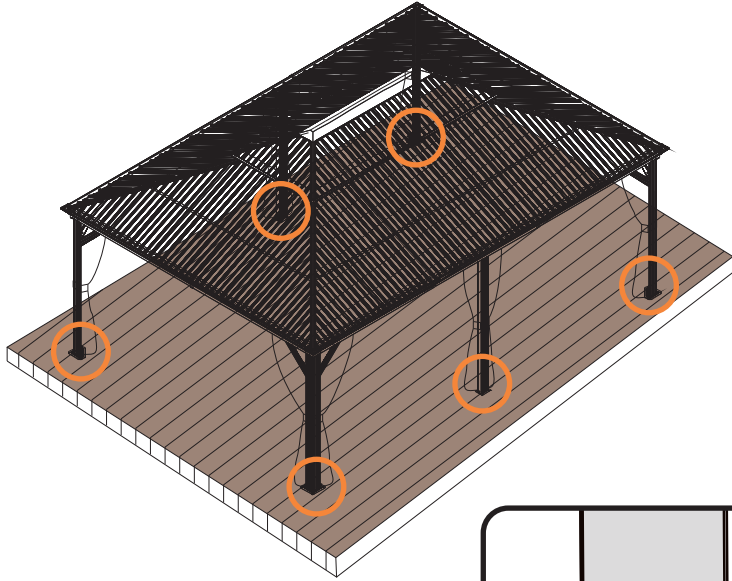
-Try to assemble this product on the flat ground, otherwise it is difficult to carry out;

-It would be much easier to assemble the product with three or more people;

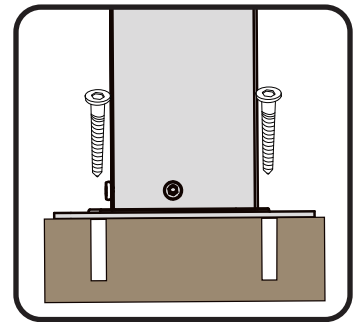
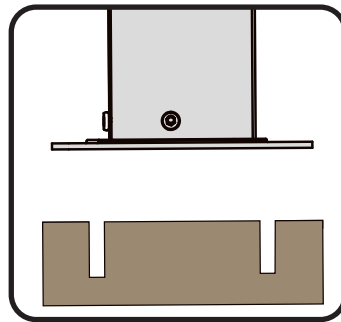
-After assembly, please check whether all screws are tightened, to prevent parts from falling apart.

▲ Use bolts to secure the frame to the ground to against the strong wind.

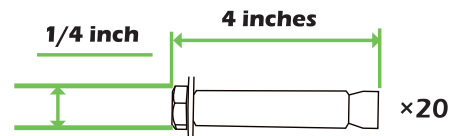
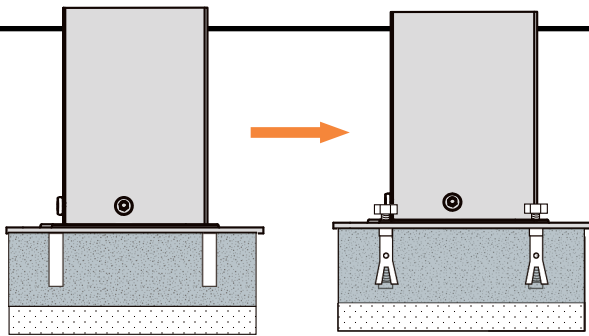
1



If the deck is hard wood and the depth of it is over 3 inch, you can use **5/16 in. x4 in. Structural Wood Screw** to mount the gazebo.



2



If the ground is concreted and the depth of it is over 3 inch, you can use 1/4 inch expansion bolts to mount the gazebo

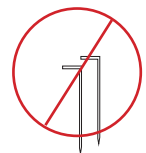
3



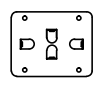


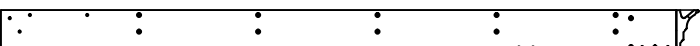

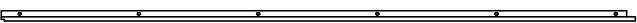
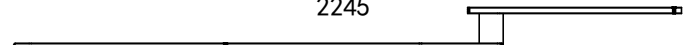

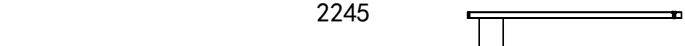

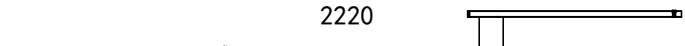
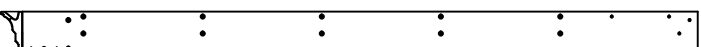
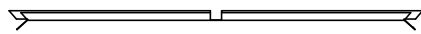






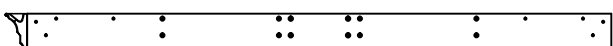

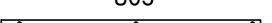
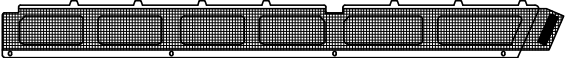
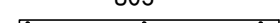
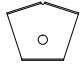
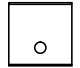
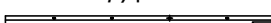
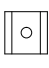
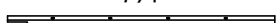

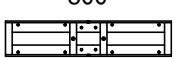

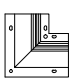
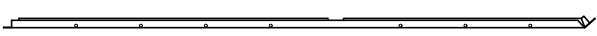

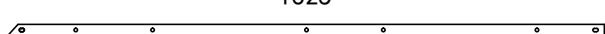

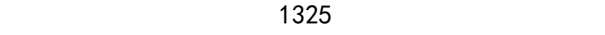
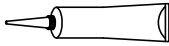
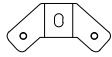


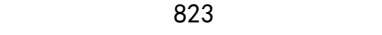

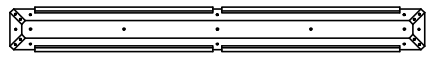



Or you can make a concrete footing for gazebo, **15x15x15 inches** is recommended. use expansion bolts to mount the gazebo like ② shows.

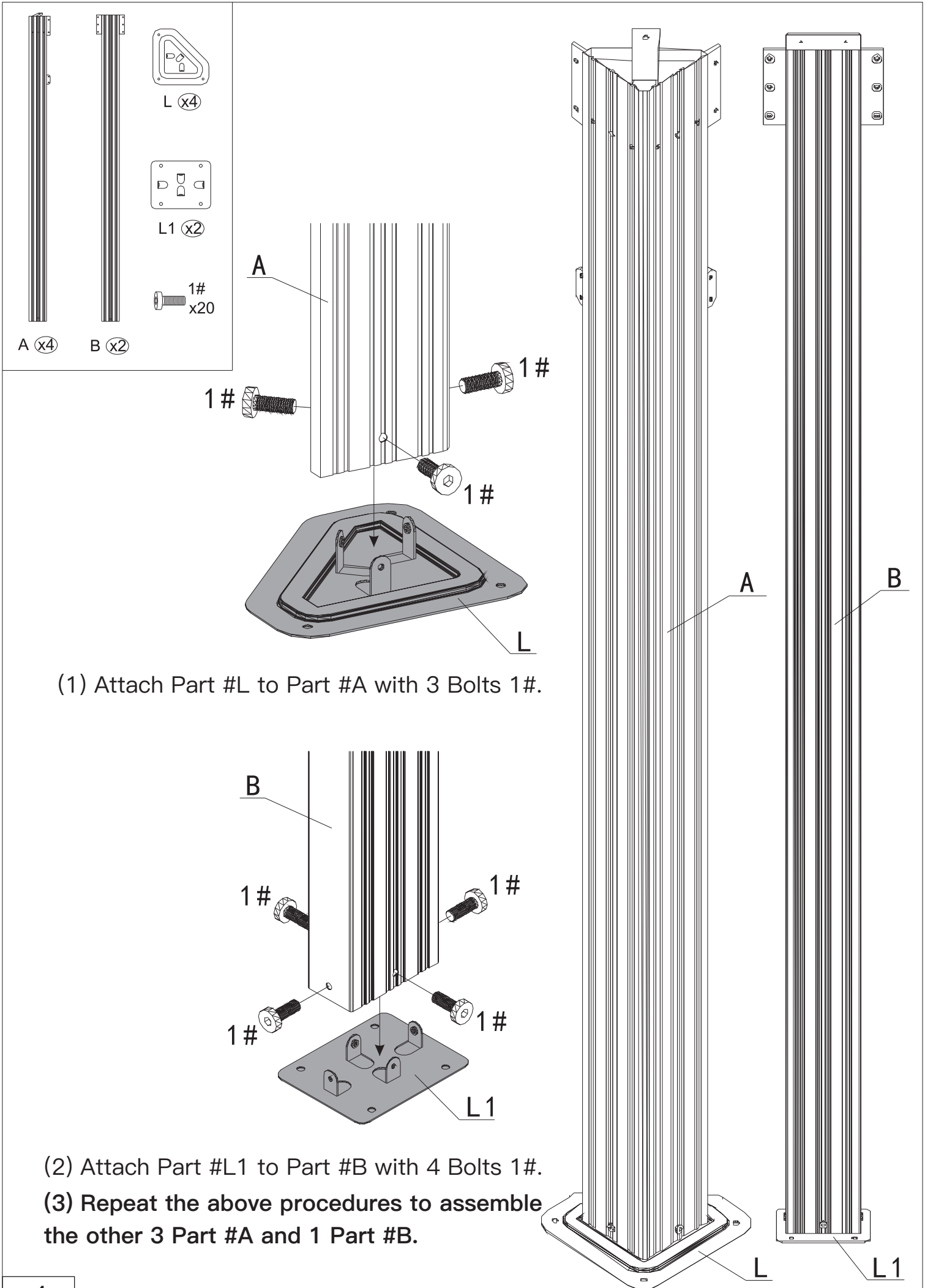


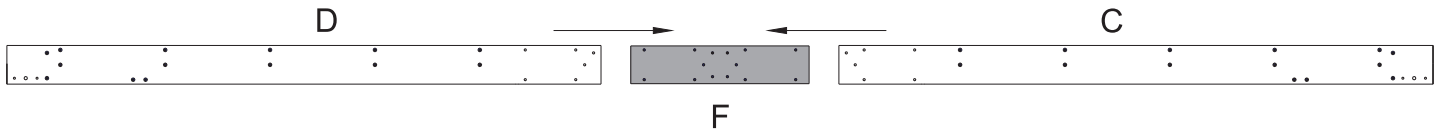
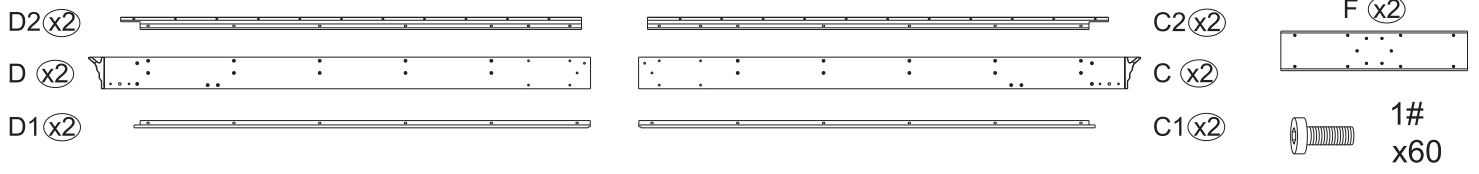
IMPORTANT:
Anchor is not recommended



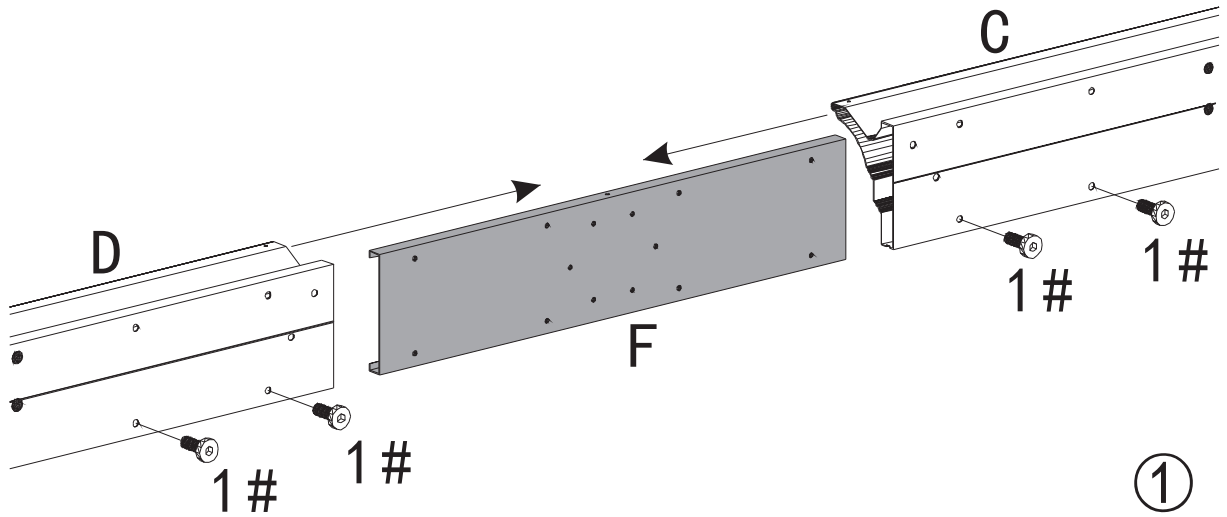
 2080 A (x4)	 L (x4)	 L1 (x2)
 2080 B (x2)	 960 Mb (x4)	
 2000 C (x4)	 2286 Ma (x4)	M (x4)
 1877 C1 (x4)	 2245 N (x2)	
 1896 C2 (x2)	 2245 N1 (x4)	
 1896 C3 (x2)	 2220 N2 (x2)	
 2000 D (x4)	 1102 P (x2)	
 1877 D1 (x4)	 1183 P1 (x2)	
 1896 D2 (x2)	 1431 Q1 (x2)	
 1896 D3 (x2)	 1431 Q2 (x2)	
 1730 E (x2)	 1496 Q3 (x2)	
 803 E1a (x2)	 1496 Q4 (x2)	
 803 E1b (x2)	 R (x8)	 R1 (x2)
 791 E2a (x2)	 S (x172)	
 791 E2b (x2)	 1400 T (x2)	
 600 F (x6)	 1585 T1 (x2)	
 G (x4)	 1585 T2 (x2)	
 H (x6)	 1325 U1 (x4)	
 H1 (x6)	 1325 U2 (x4)	
 H2 (x1)	 U3 (x4)	 U4 (x8)
 555 J1 (x4)	 823 U5 (x4)	
 555 J2 (x4)		
 1919 K (x1)		
 1996 K1 (x1)		

		U6 (x3)				U7 (x3)					
	M6x16					1#		x315			
	M6x20					2#		x36			
						3#		x16			
						4#		x160			
				M6x28		5#		x104			
				M6x45		6#		x12			
				M6x50		7#		x52			
	M5x16					8#		x6			
	ST4.8x13					9#		x28			
	M6x25					10#		x4			
	M6x10					11#		x12			
	x1		x1		x1		x1				

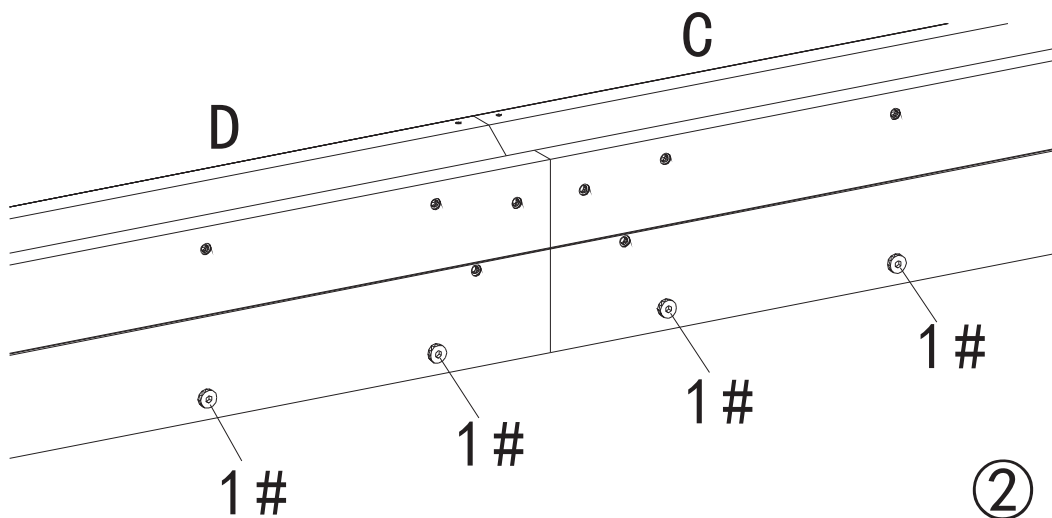




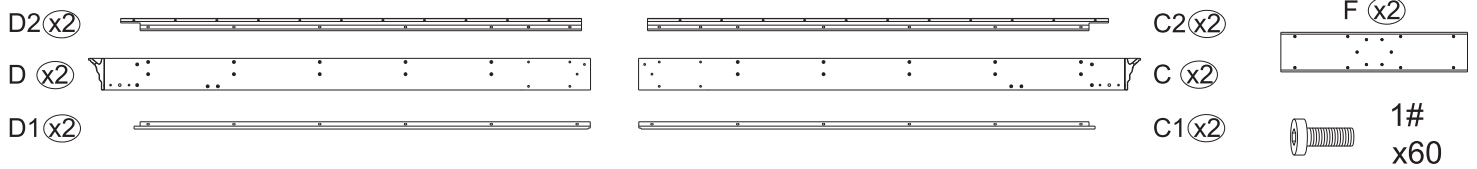
(1) Insert Part #F into Part #D and secure with 2 Bolts 1#, insert the other side of Part #F into Part #C and secure with 2 Bolts 1#.



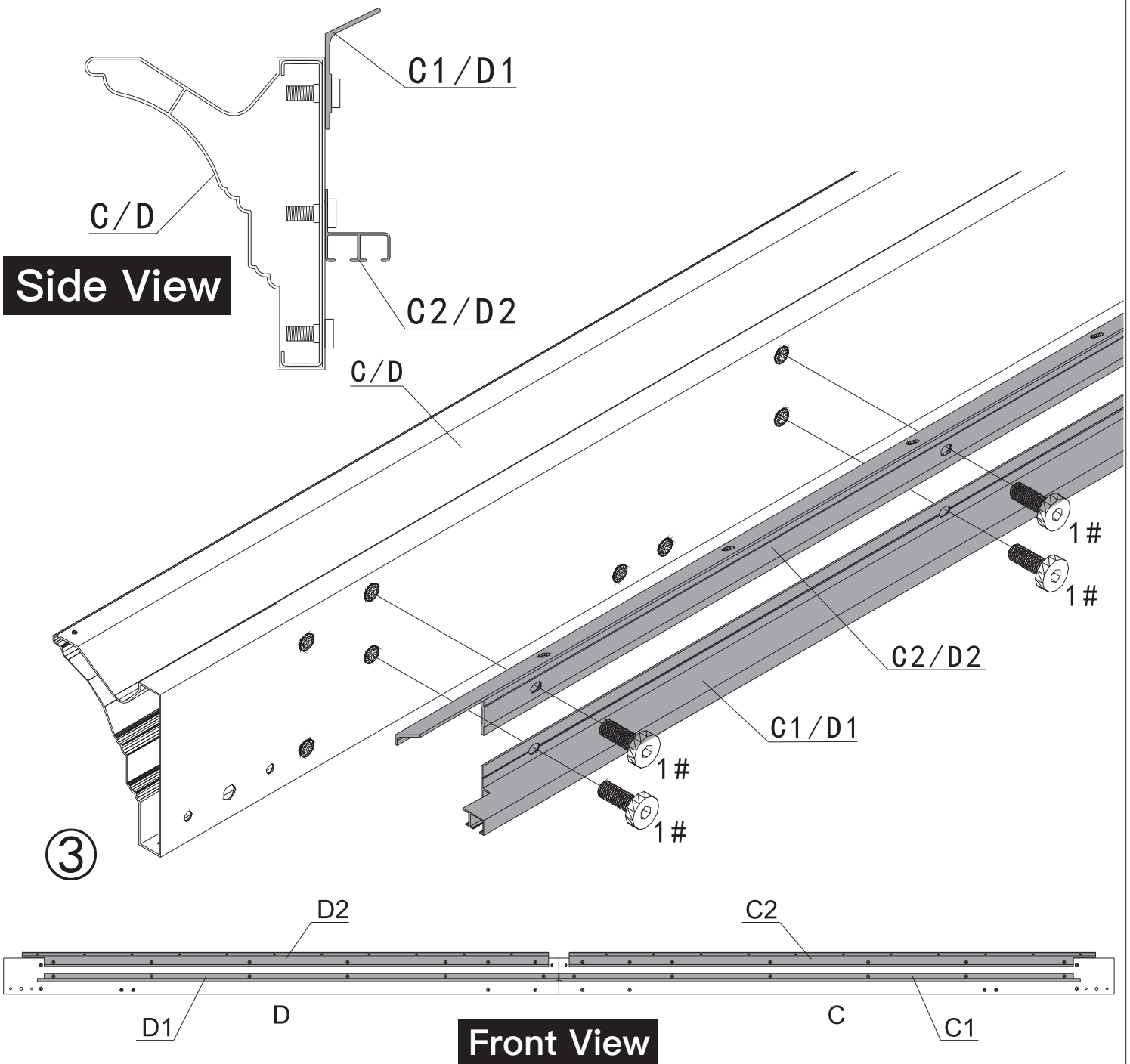
(2) Connect Part #D and Part #C through Part #F.



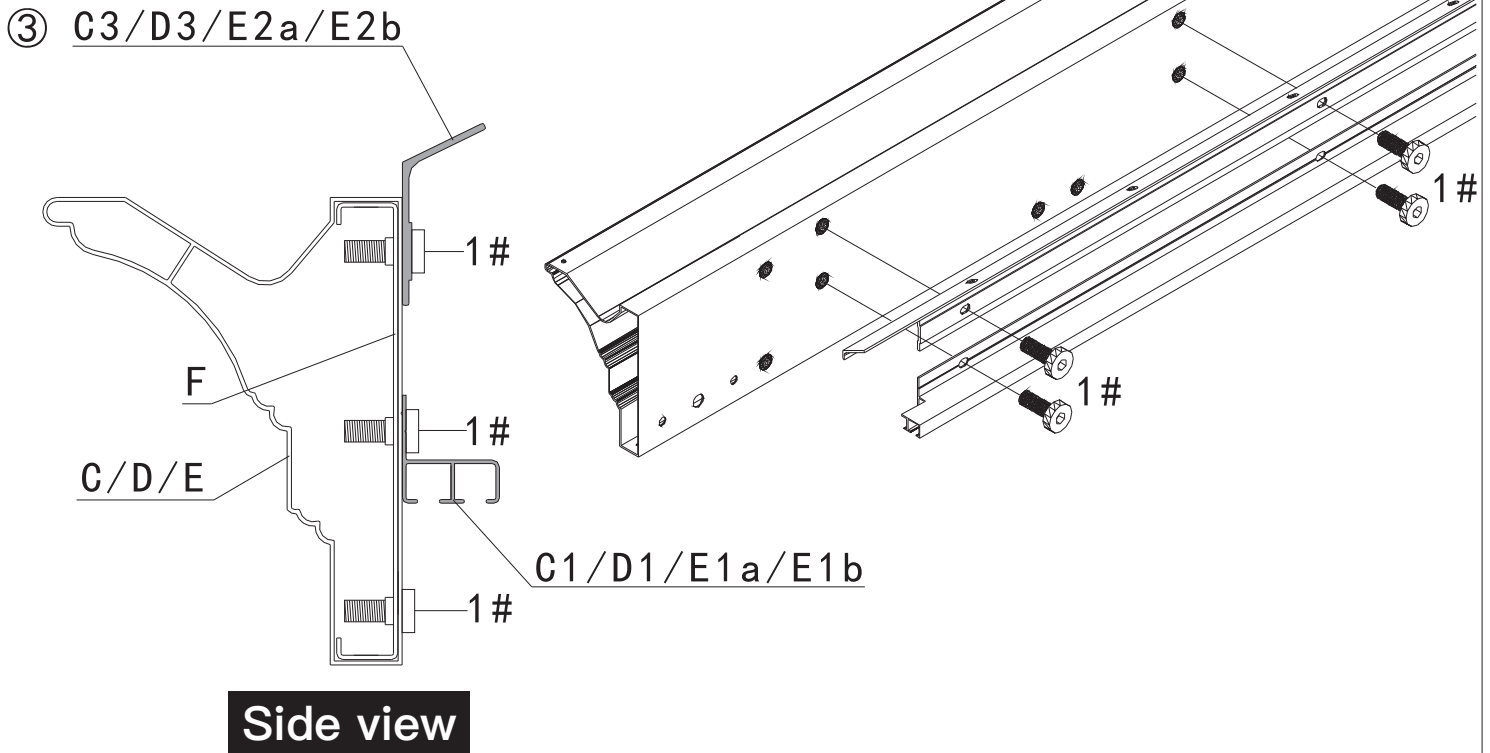
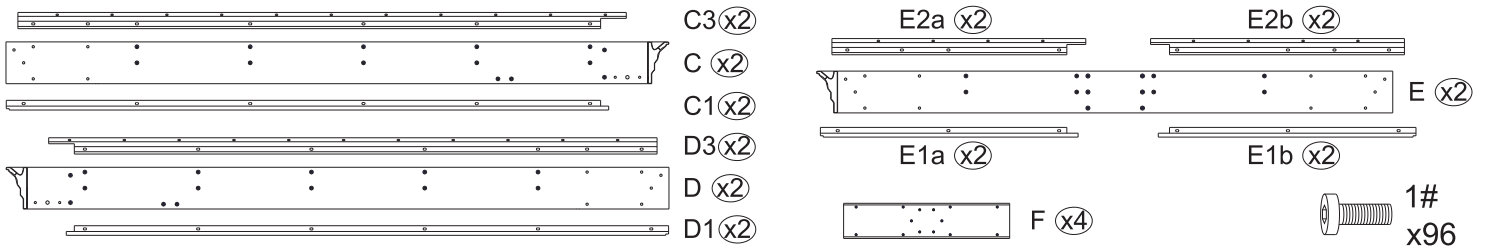
It's a normal situation that there's a gap between the 2 beams, please use silicone sealant (part #H2) and bracket #H to affix the gap.(See P8)



- (1) ① Install Part #C2 and Part #C1 onto Part #C with Bolts 1#. (Part #C2 on top and Part #C1 on the bottom)
 - ② Install Part #D2 and Part #D1 onto Part #D with Bolts 1#. (Part #D2 on top and Part #D1 on the bottom)
- (Please refer to the front and side view diagrams.)

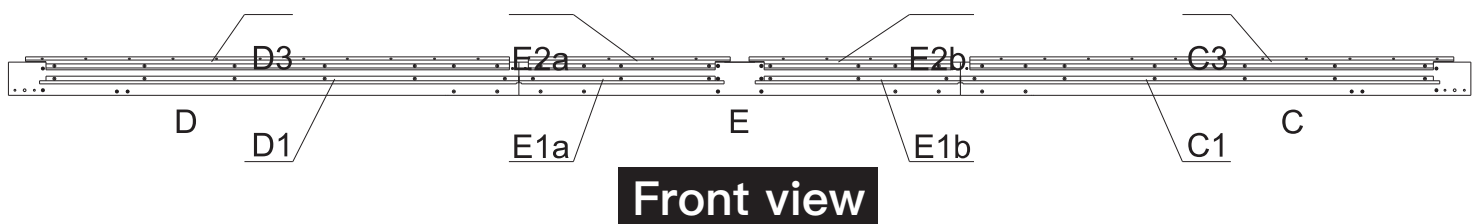


(2) Repeat the above procedures to assemble the other Part #D/#C.

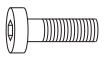


(1) Install Part #C3/#D3/#E2a/#E2b and Part #C1/#D1/#E1a/#E1b onto Part #D/#E/#C with Bolts 1#.

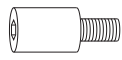
(Please refer to the front and side view diagrams.)



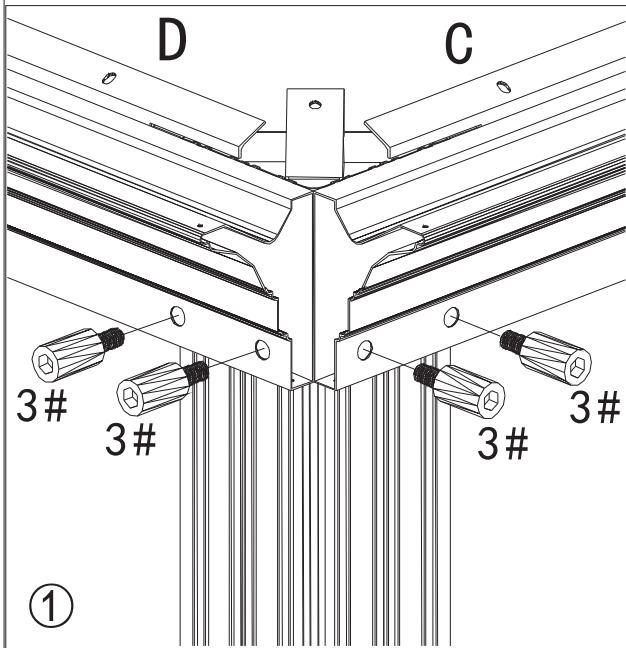
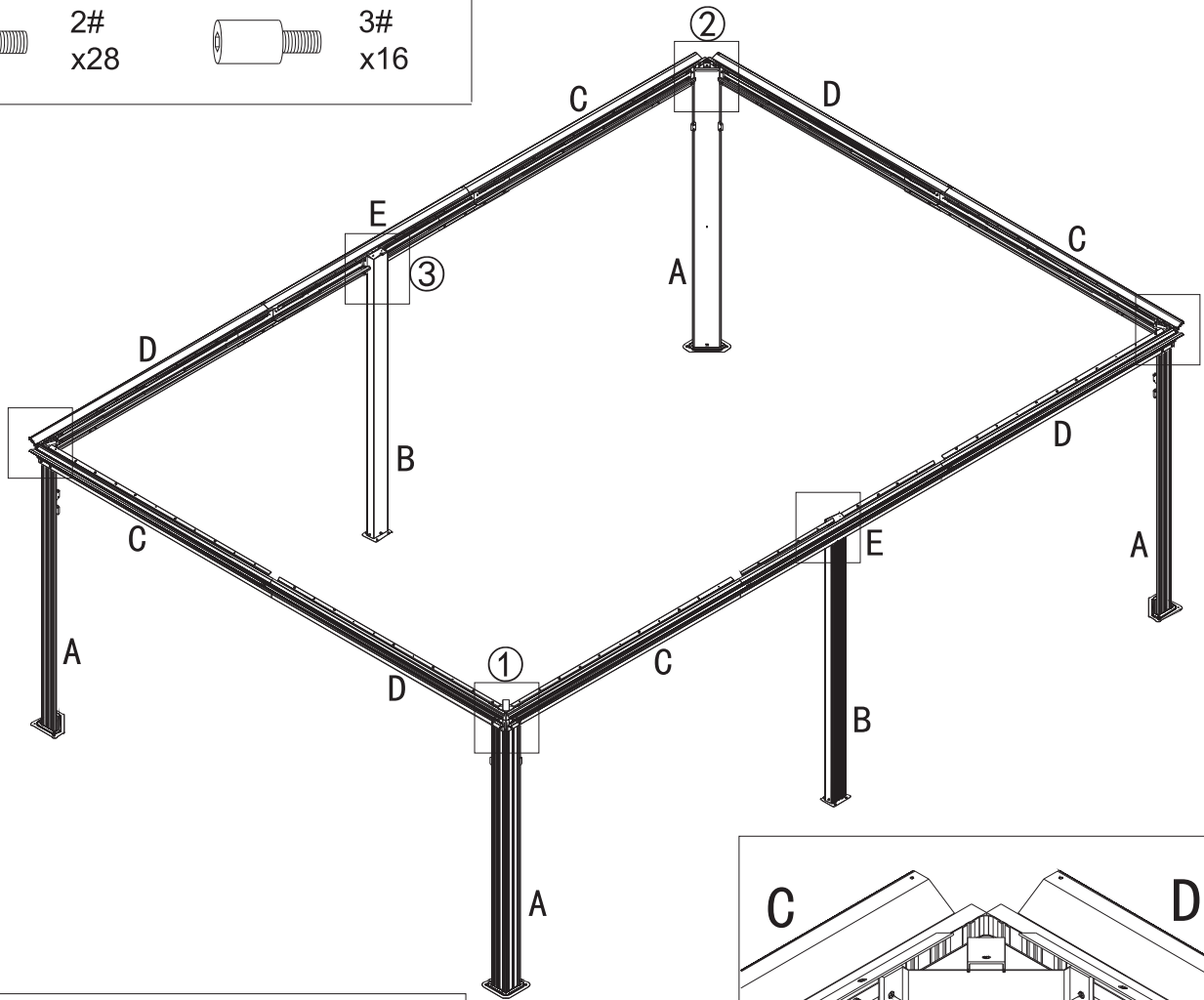
(2) Repeat the above procedures to assemble the other Part #D/#E/#C.



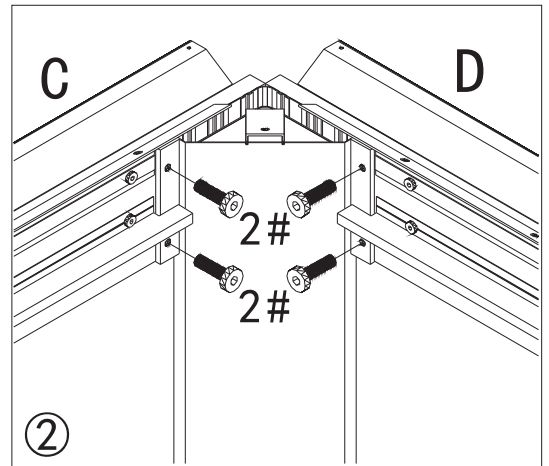
2#
x28



3#
x16

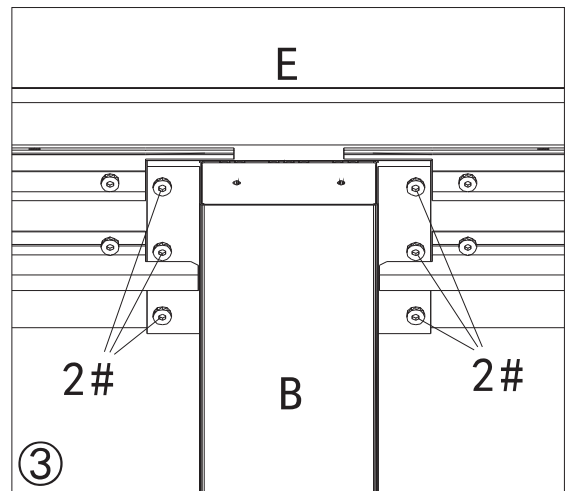


(1) Connect Part #D and Part #C to Part #A with 4 Bolts 3#. (From Outside)

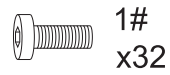


(2) Connect Part #C and Part #D to Part #A with 4 Bolts 2#. (From Inside)

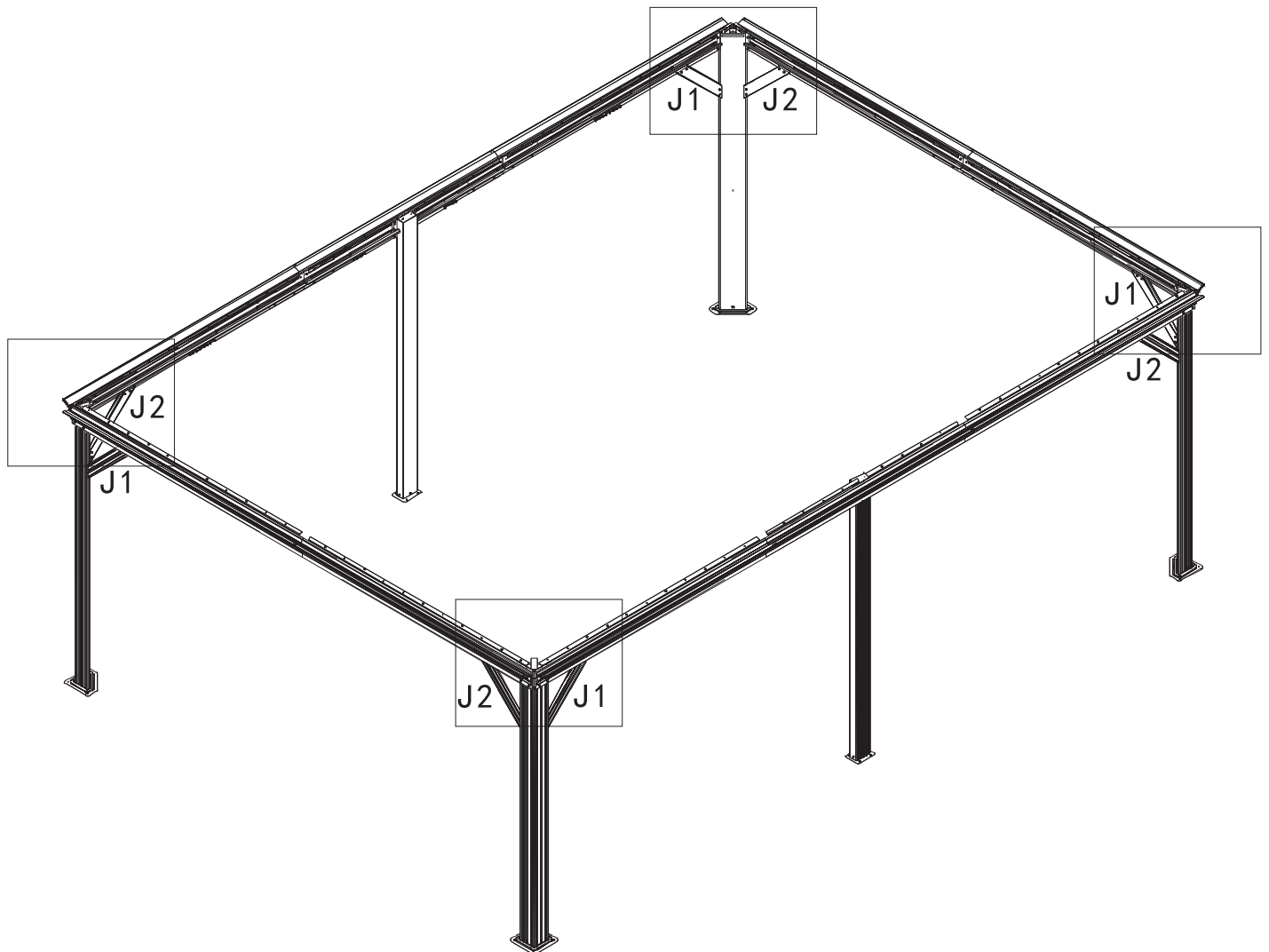
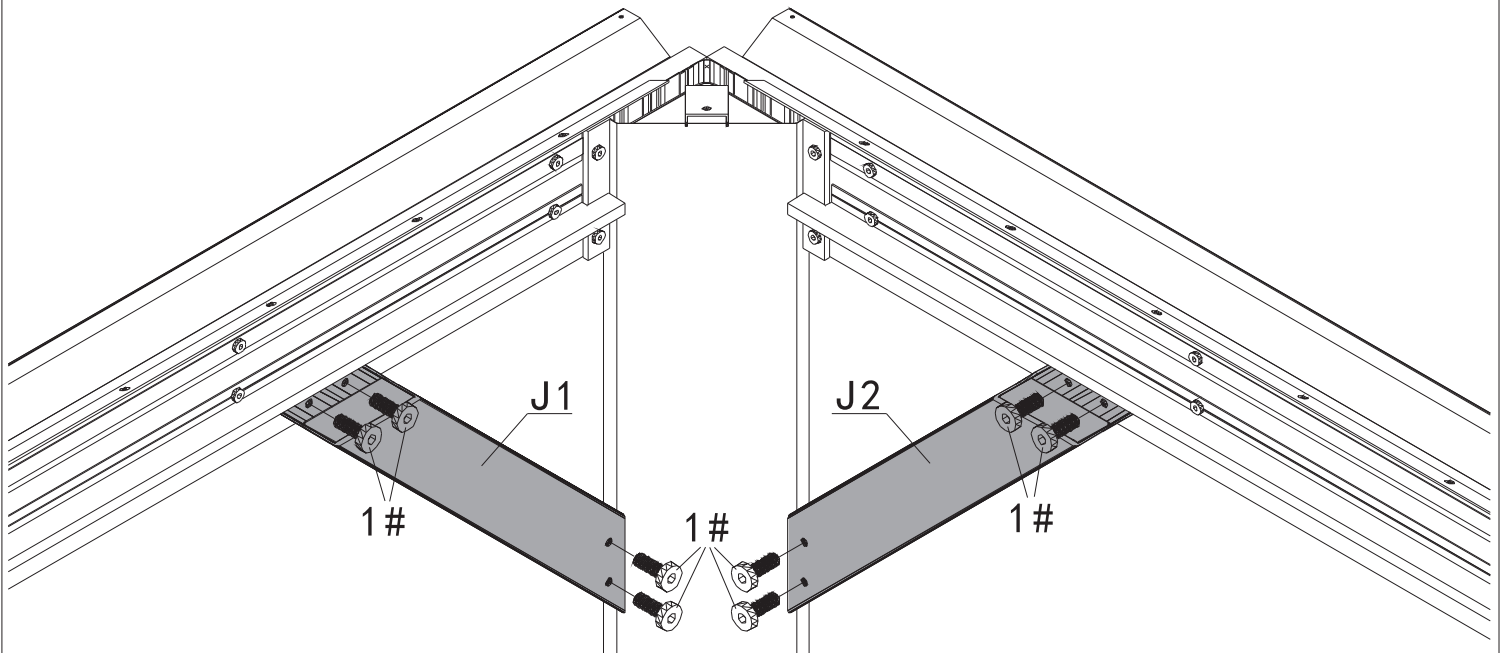
(3) Connect Part #E to Part #B with 6 Bolts 2#. (From Inside)



(4) Repeat the above procedures to assemble the other 3 sides.
⚠ Please don't tighten all bolts.



(1) Affix Part #J1 and Part #J2 to the frame with 8 Bolts 1#.



(2) Repeat the above procedures to assemble the other 3 corners.

7

Tighten all bolts.



G (x4)



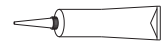
H (x6)



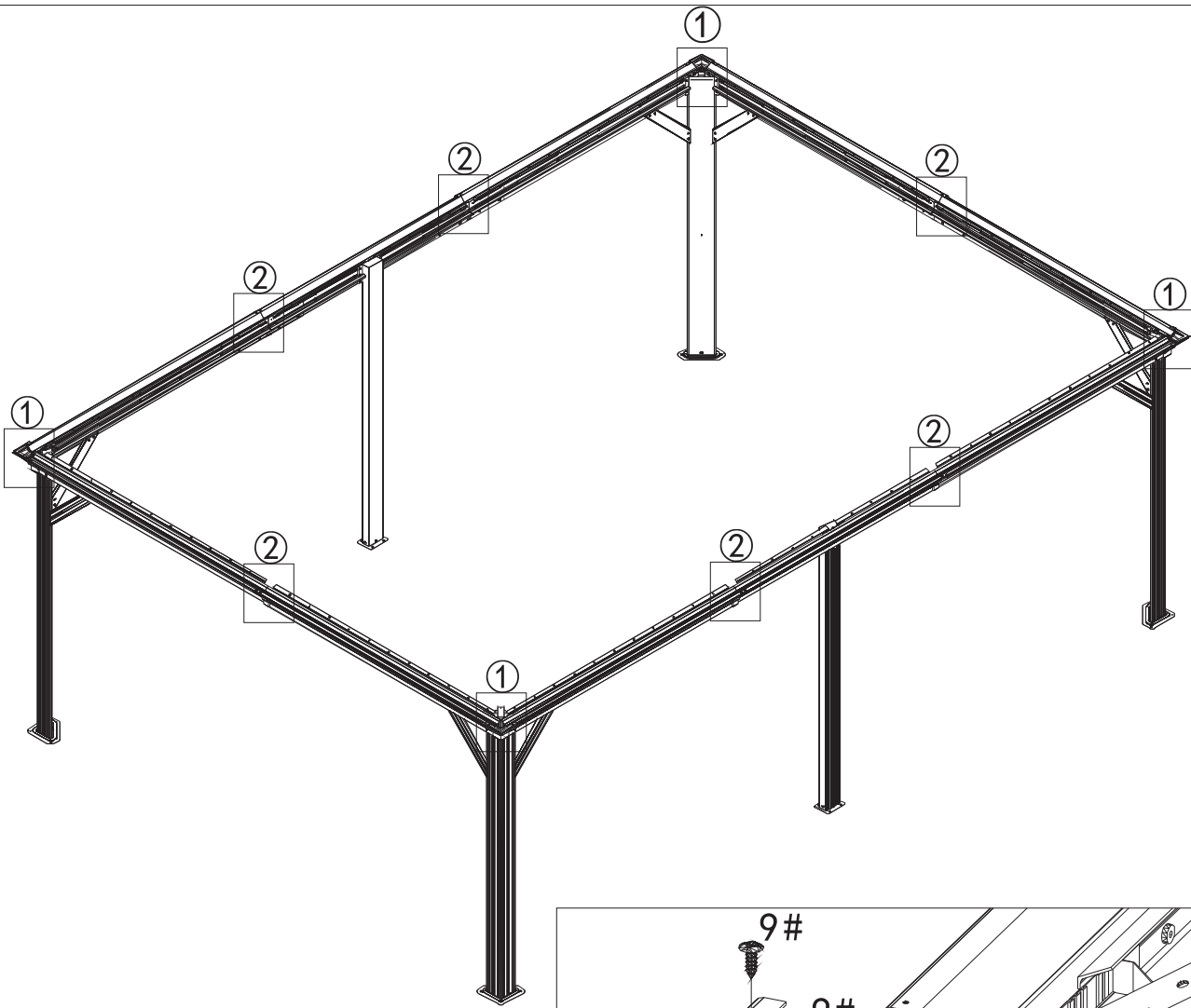
8#
x6



9#
x28



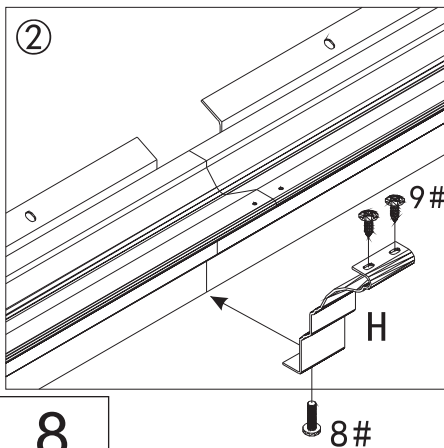
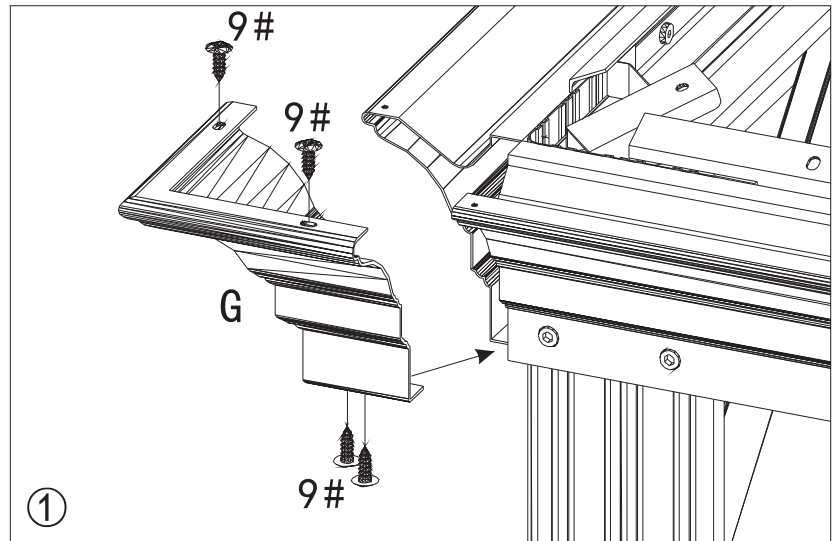
H2 (x1)



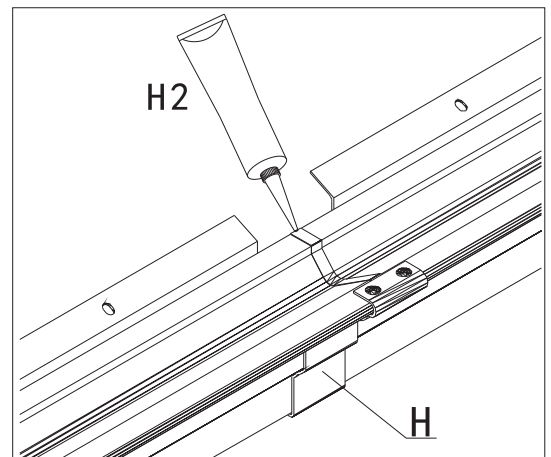
(1) Cover the corner with Part #G. Secure with 4 Screws 9#.

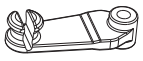
(2) Repeat the above procedures to assemble the other 3 corners.

(3) Cover Part #H over the 4 connection points as shown in ②. Secure with 2 Screws 9# from top to bottom and 1 Screw 8# from bottom to top.

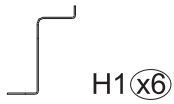


It's a normal situation that there's a gap between the 2 beams, please use silicone sealant (Part #H2) and bracket #H to affix the gap.

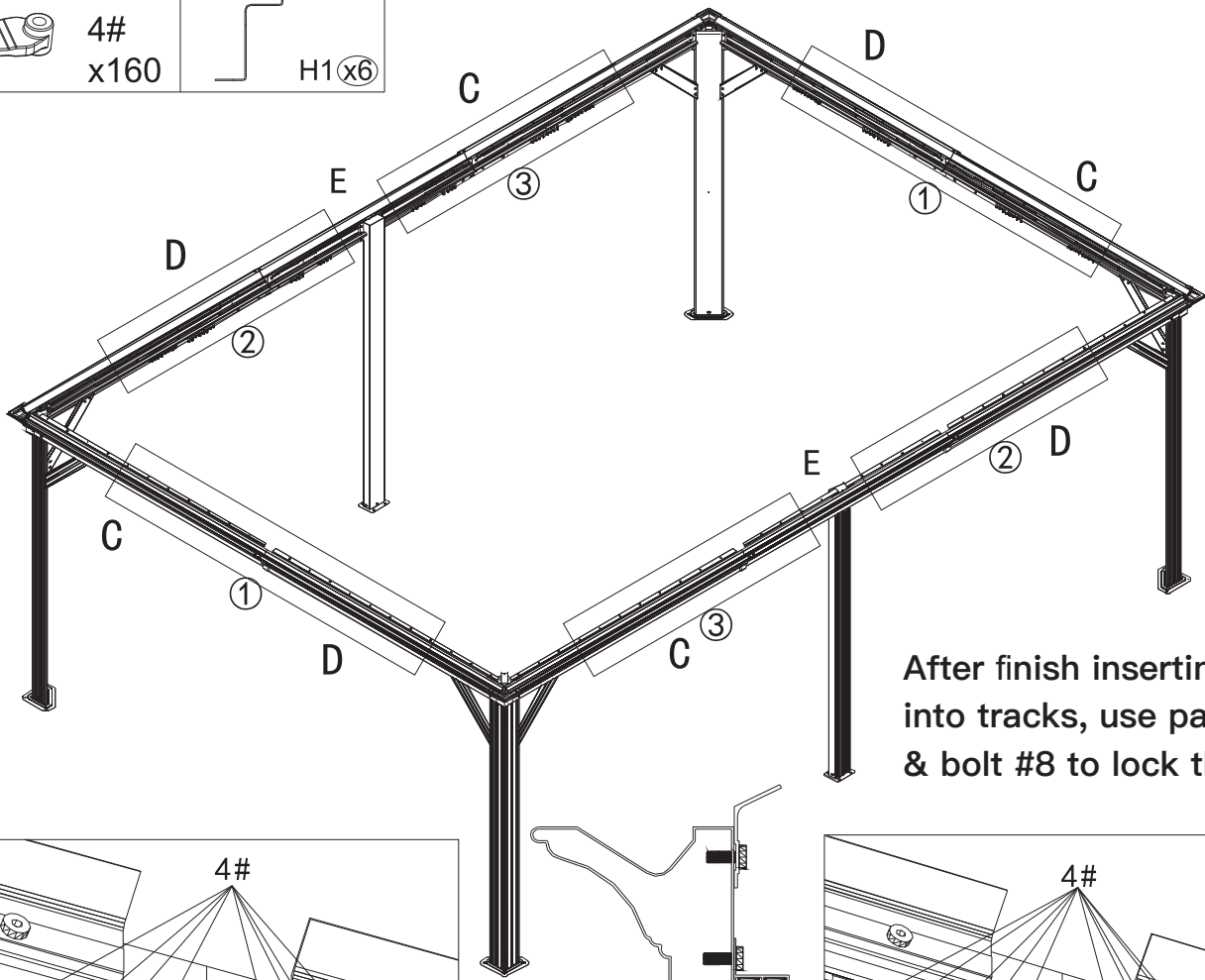




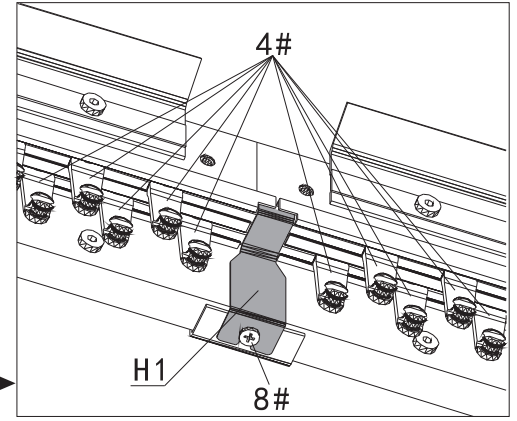
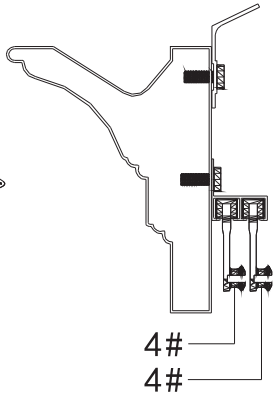
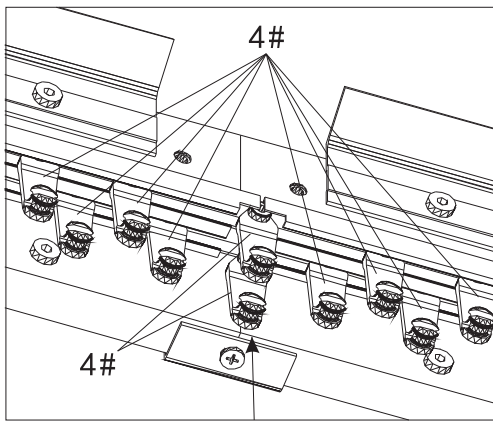
4#
x160



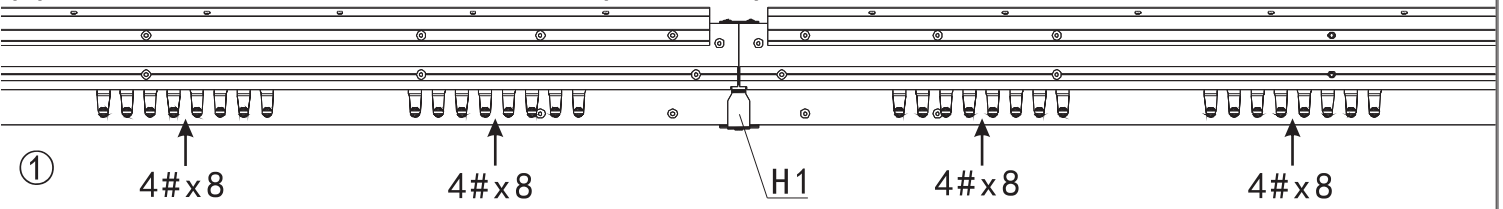
H1(x6)



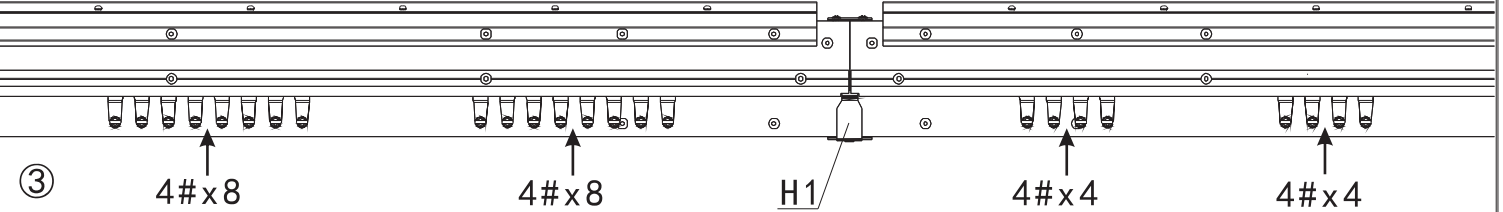
After finish inserting hooks into tracks, use part #H1 & bolt #8 to lock them.



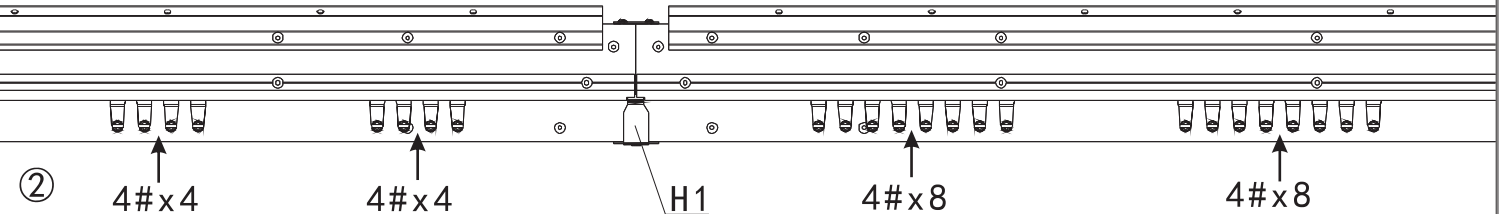
(1) Put 8 hooks to each side wall track(Part C&D).



(2) Put 8 hooks to each side wall track Part C and 4 hooks to side wall track Part E.



(3) Put 4 hooks to each side wall track Part E and 8 hooks to side wall track Part D.



Mb (x4)

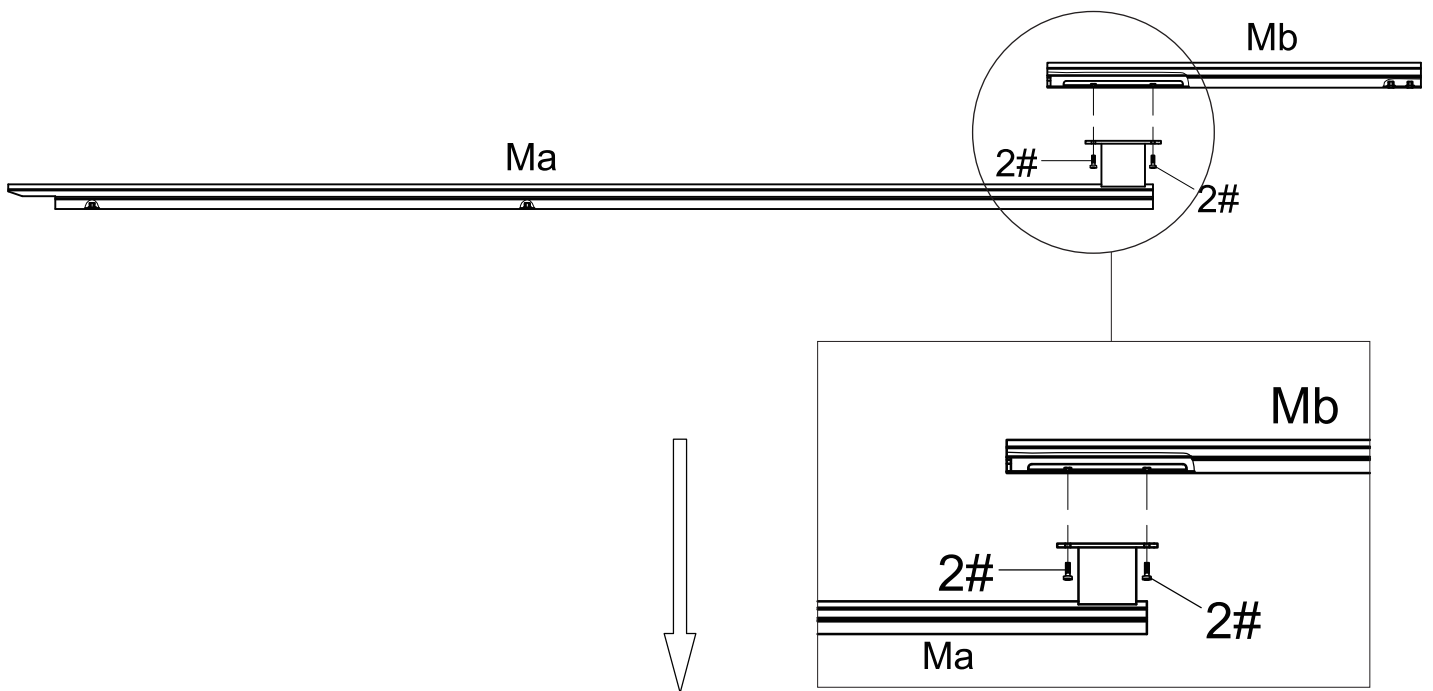


2#
x8

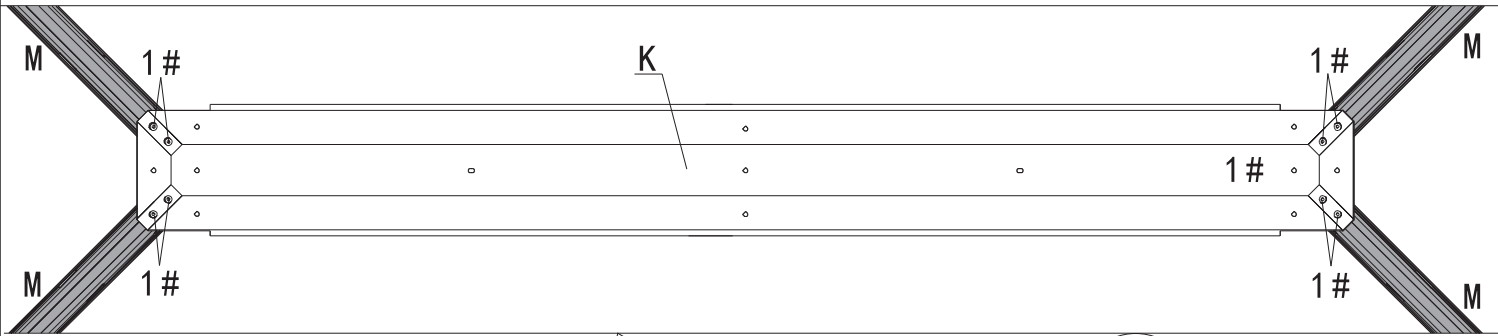
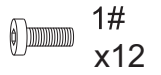
Assemble the 4 Corner Roof Bars:

(1) Connect Part #Ma and Part #Mb with 2 Bolts 2# .

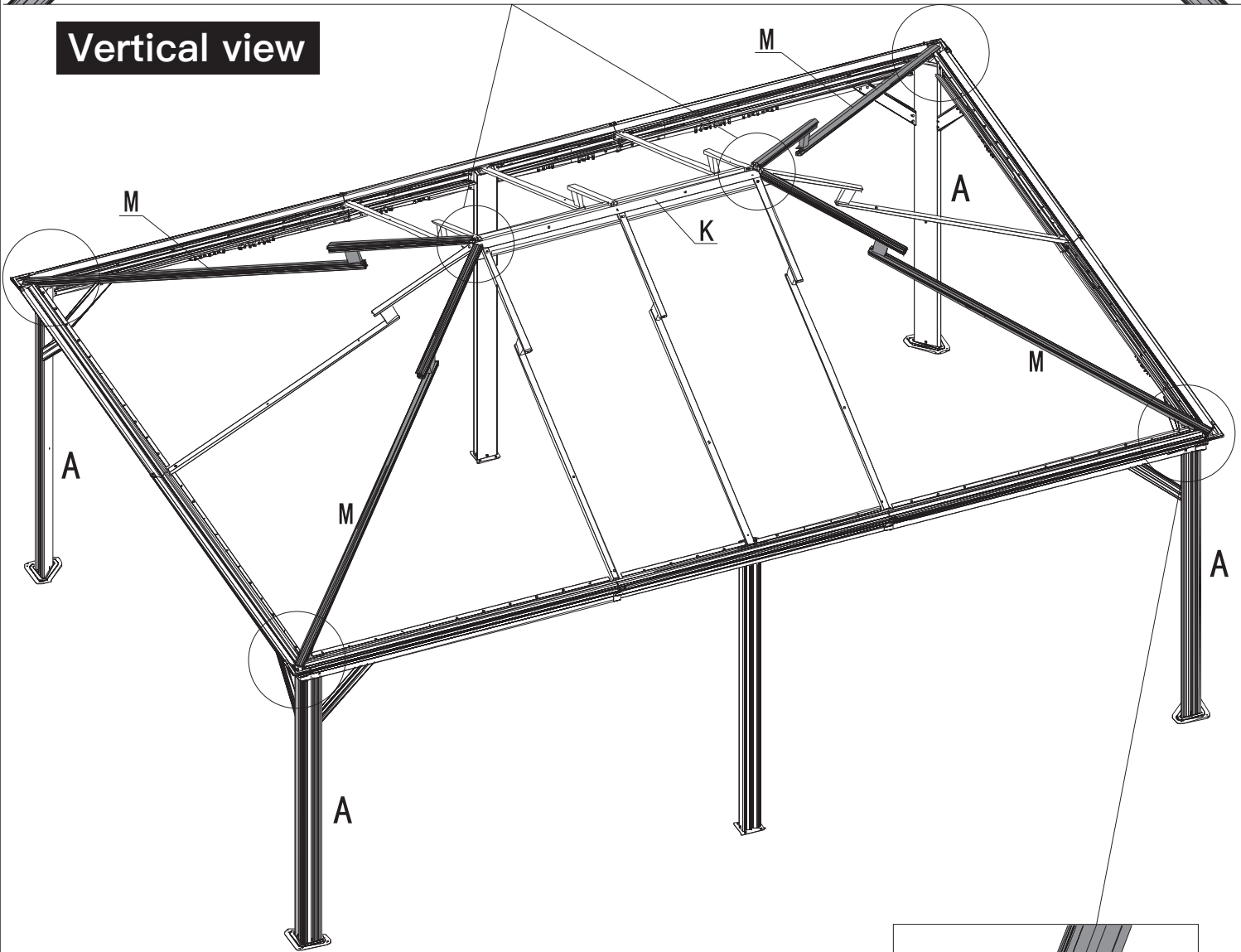
(2) Repeat the above procedures to assemble the other 3 corner roof bars.



4X



Vertical view

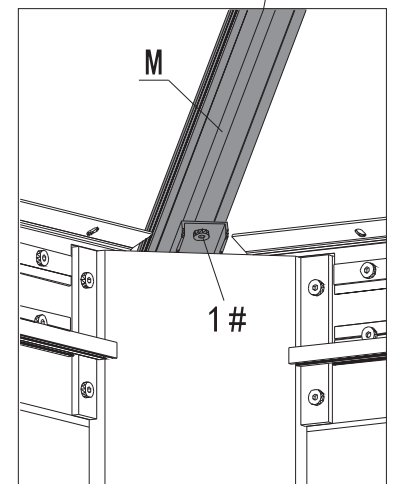


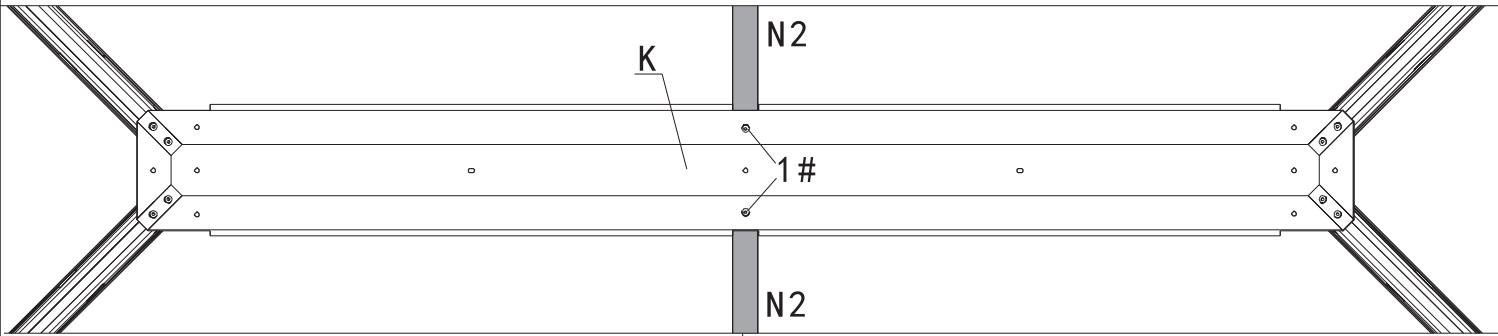
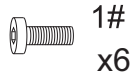
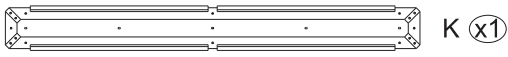
(1) Please have a freestanding ladder ready at the center of the gazebo.

(2) Place 4 Part #M on the 4 corners of Part #K. Secure with 8 Bolts 1#. (from bottom to top)

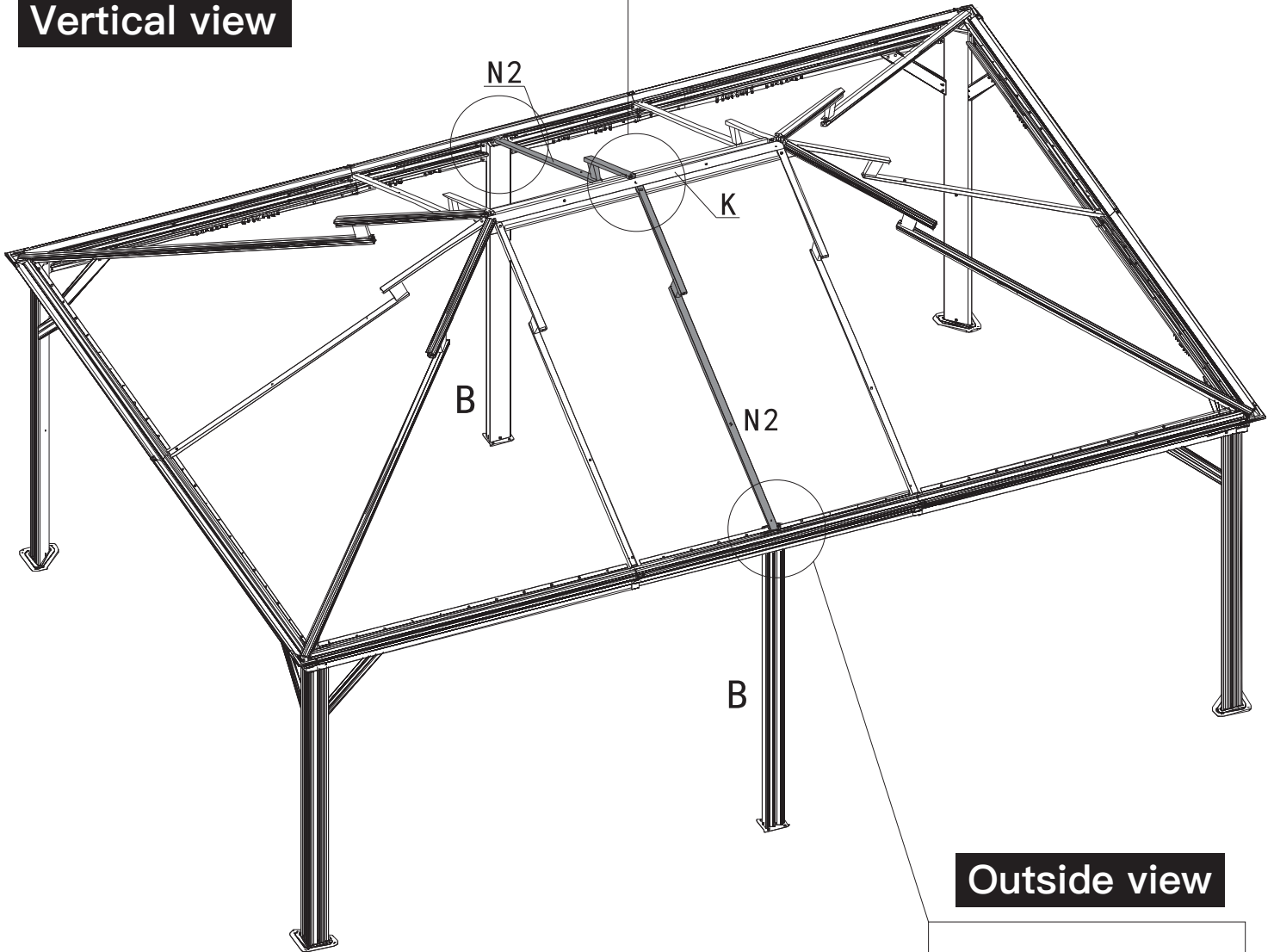
ATTENTION: You can also finish this step on the ground and then lift 4 corner roof bars and inside roof connector #K to the top together. (Need 2 people and 2 ladders)

(3) Place 4 Part #M on 4 Part #A; Secure with 4 Bolts 1#.

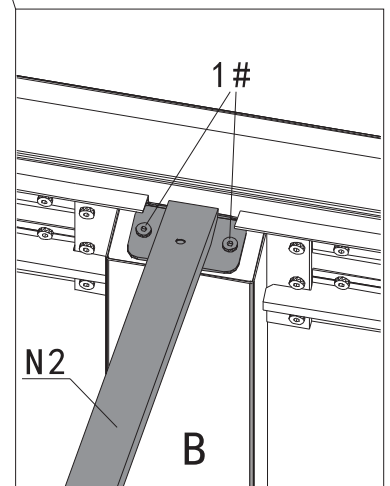




Vertical view

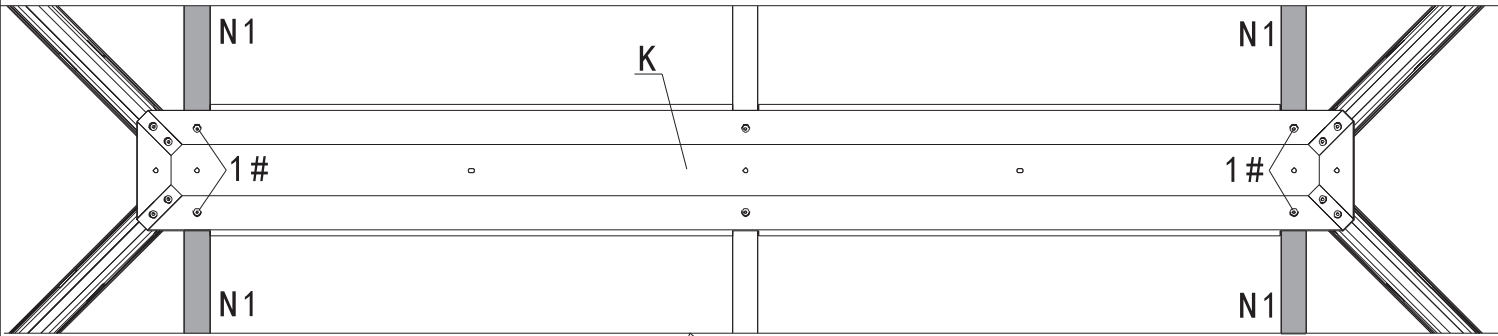
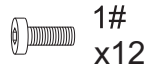
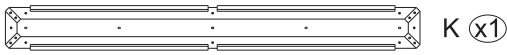


Outside view

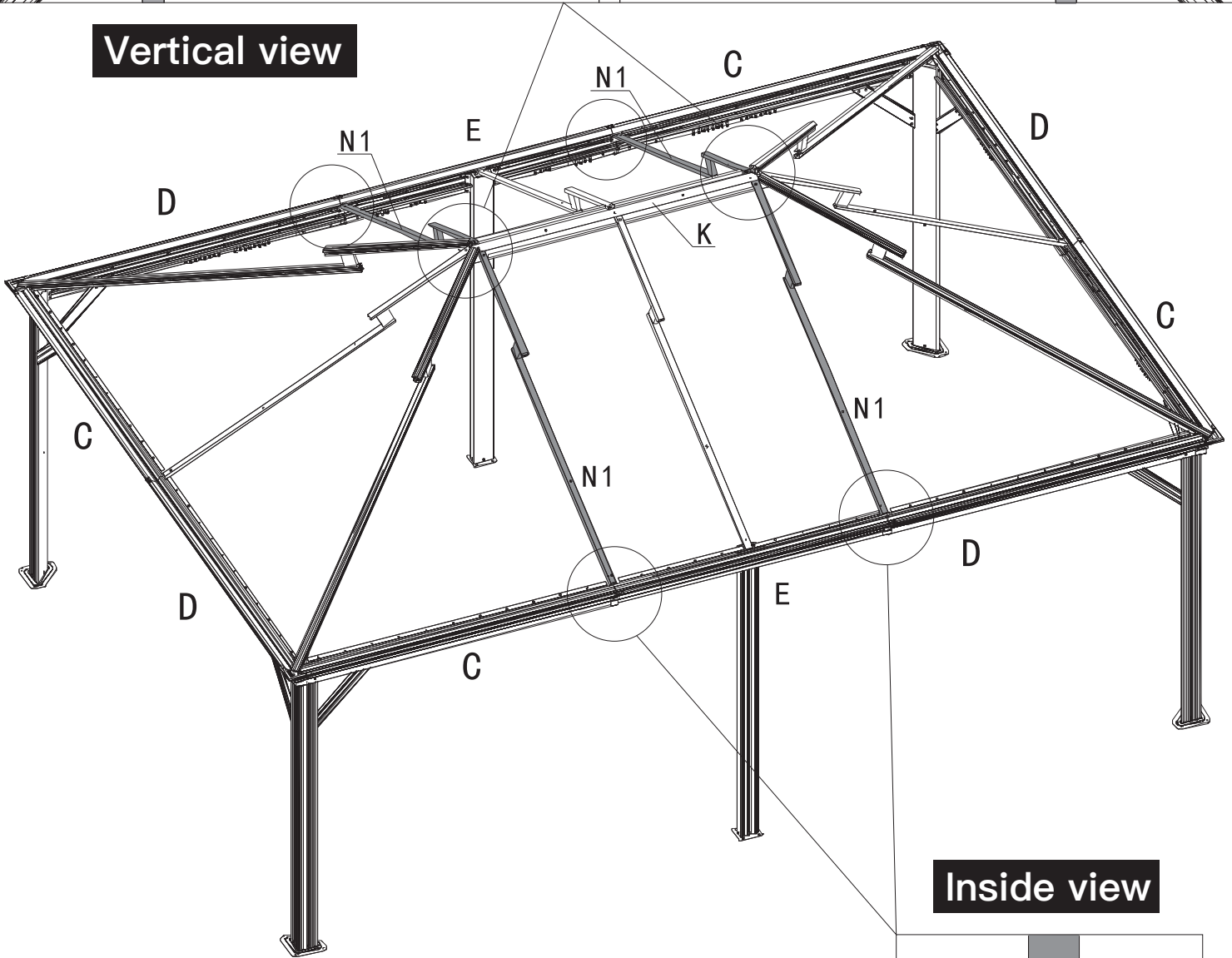


(1) Place 2 Part #N2 on part #K. Secure with 2 Bolts 1# (from bottom to top).

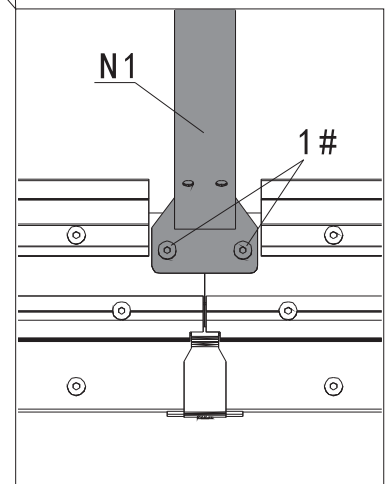
(2) Place 2 Part #N2 on 2 Part #B; Secure with 4 Bolts 1#.



Vertical view

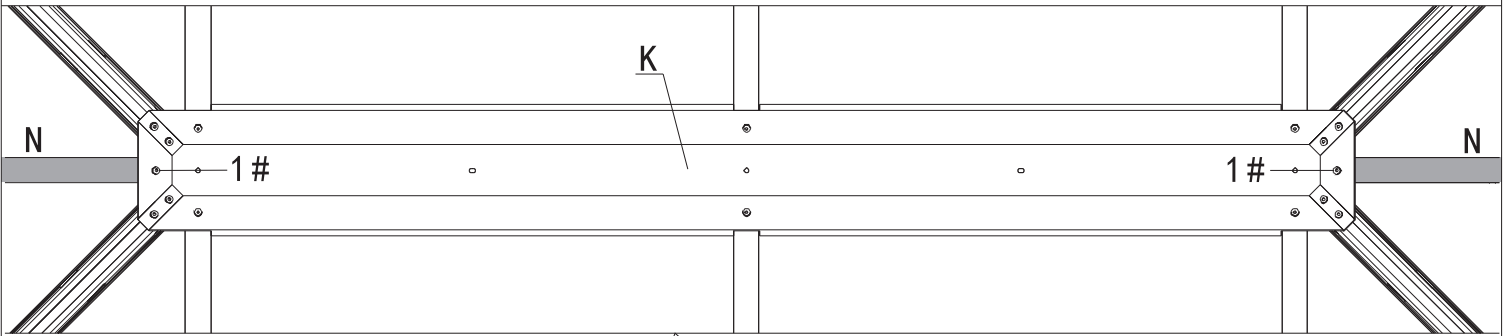
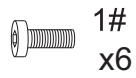


Inside view

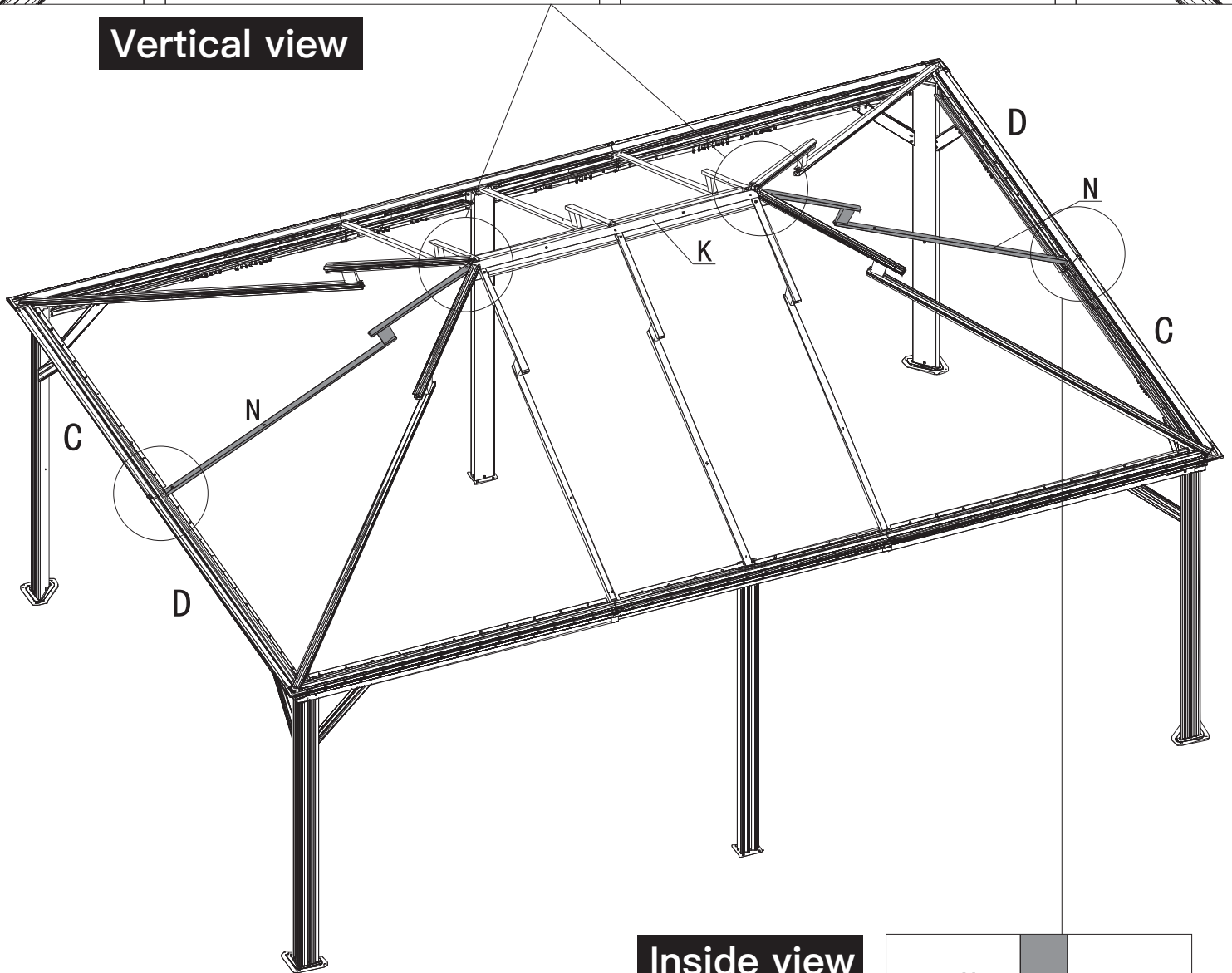


(1) Place 4 Part #N1 on Part #K. Secure with 8 Bolts 1# (from bottom to top).

(2) Connect 4 Part #N1 with the Beam by using 8 Bolts 1#.



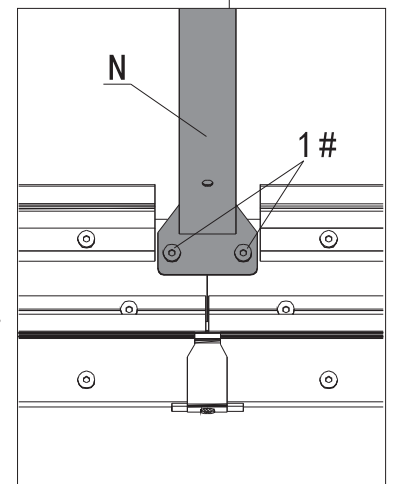
Vertical view

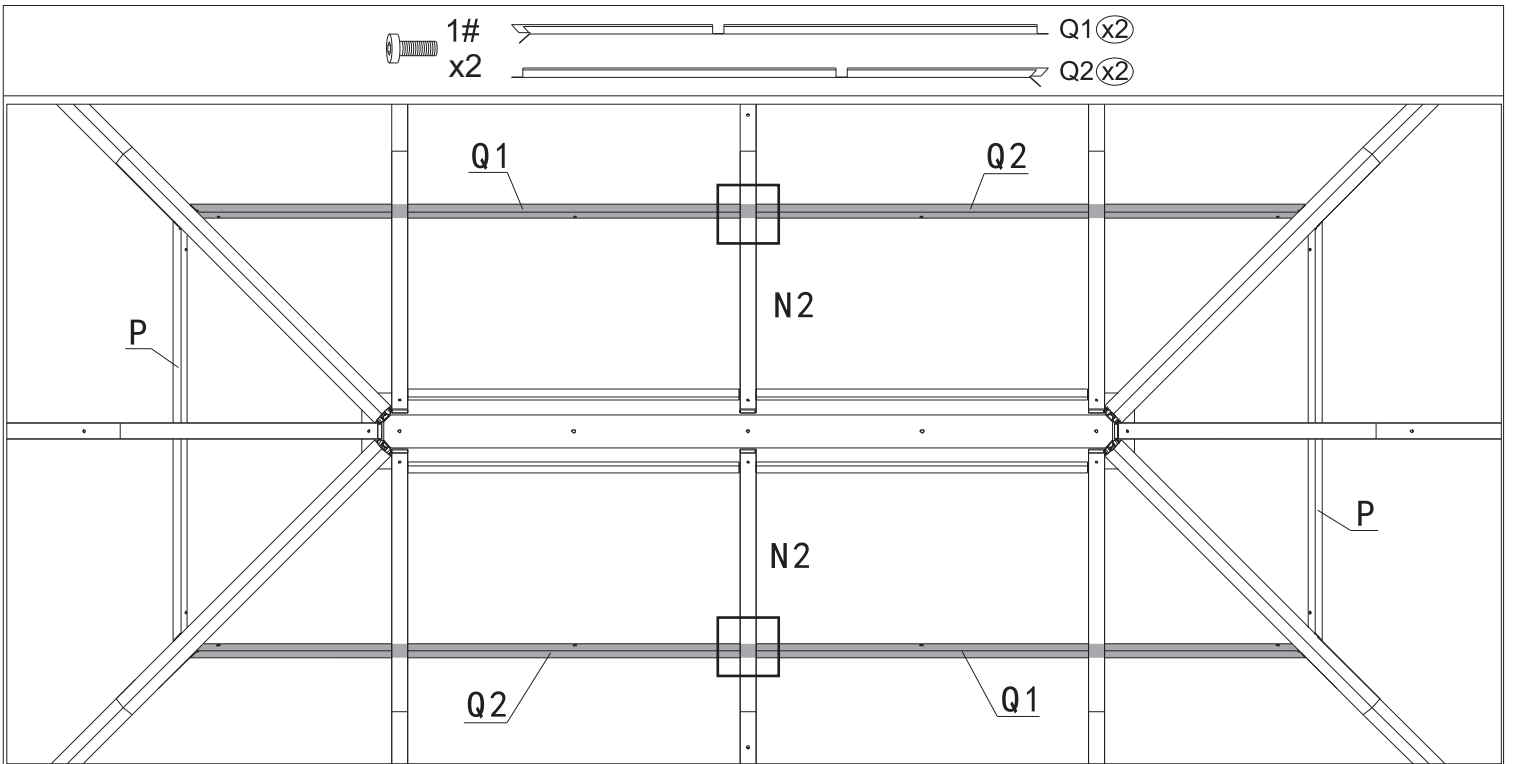


Inside view

(1) Place 2 Part #N on Part #K. Secure with 2 Bolts 1# (from bottom to top).

(2) Connect 2 Part #N with the Beam by using 4 Bolts 1#.

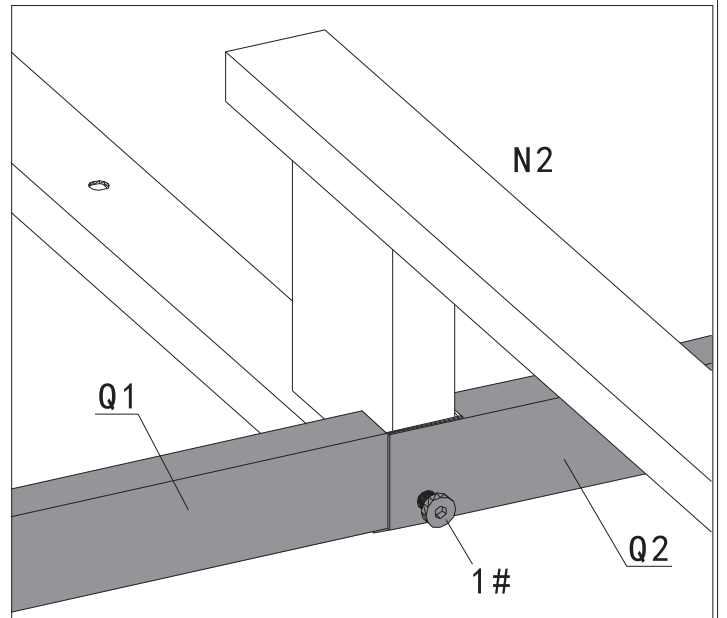




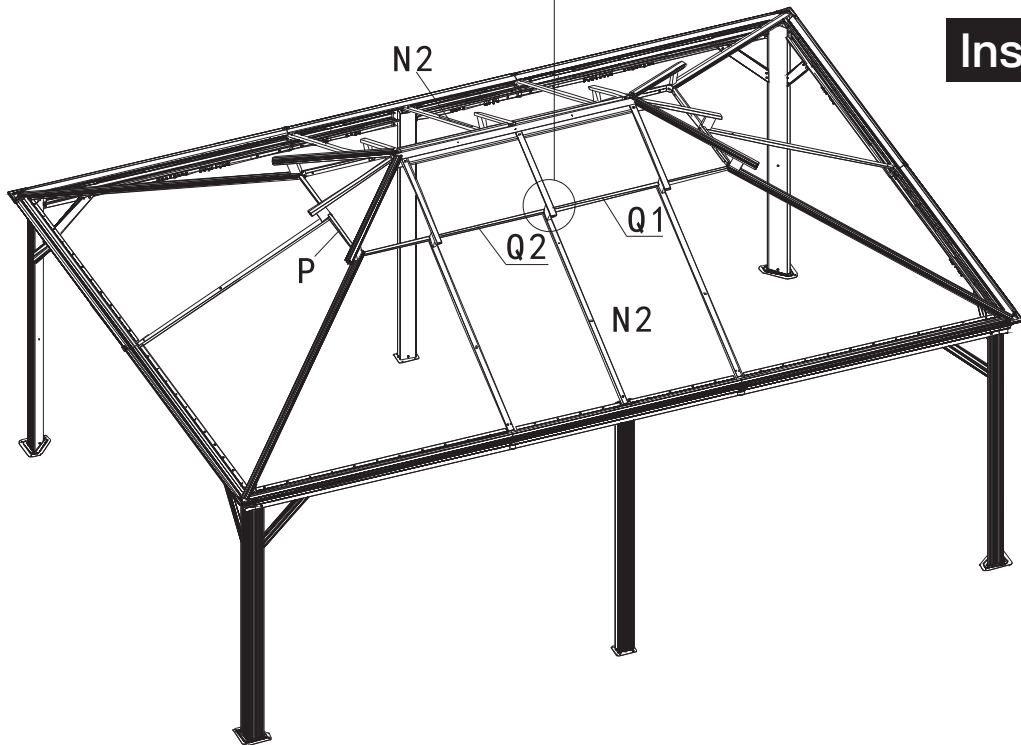
Vertical view

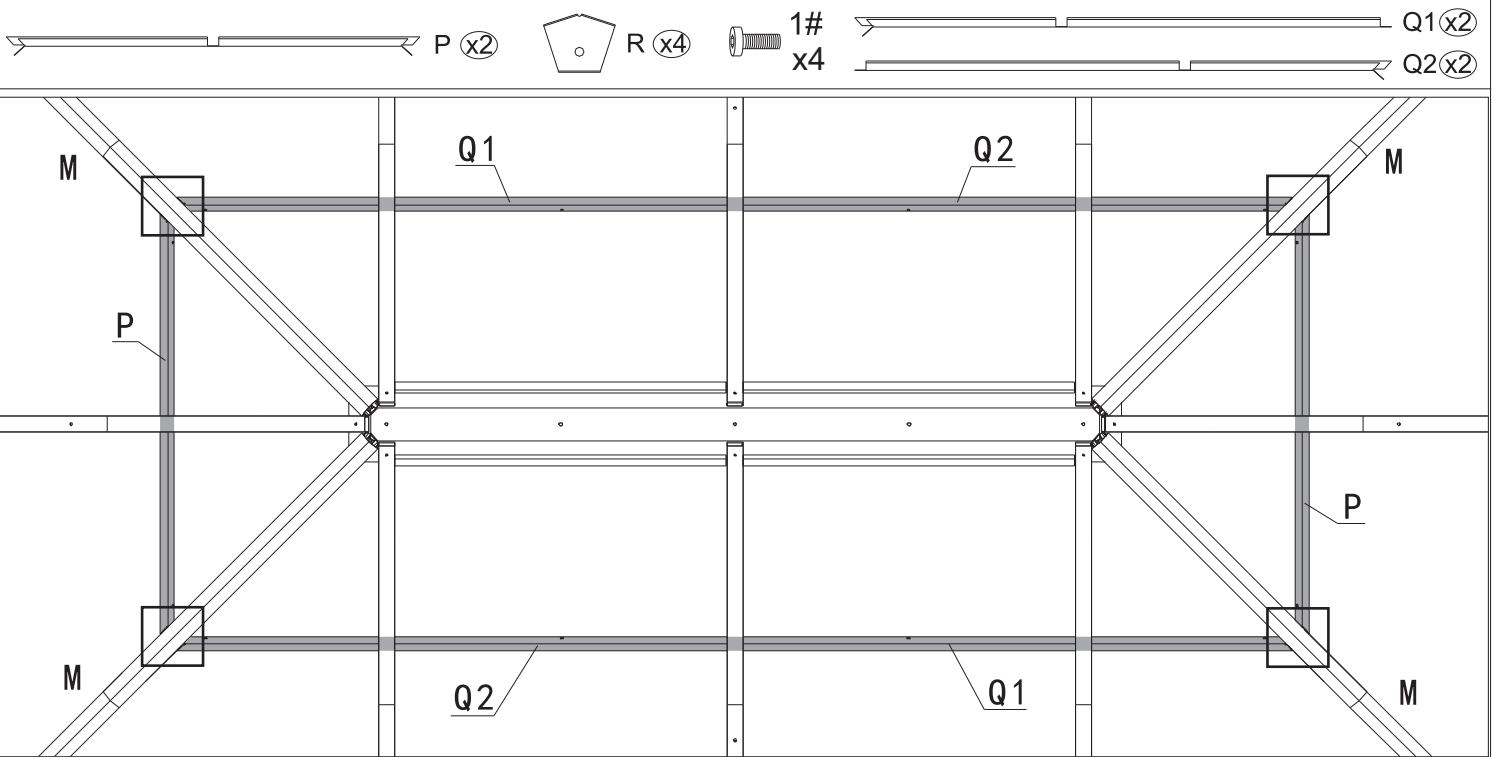
(1) Attach Part #Q1 and Part #Q2 to Part #N2; Secure with Bolt 1#.

(2) Repeat the above procedures to assemble the opposite side.



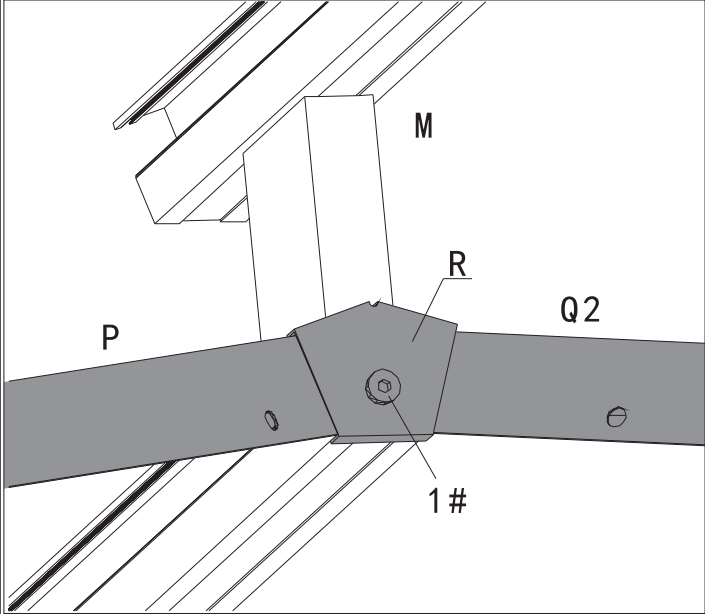
Inside view



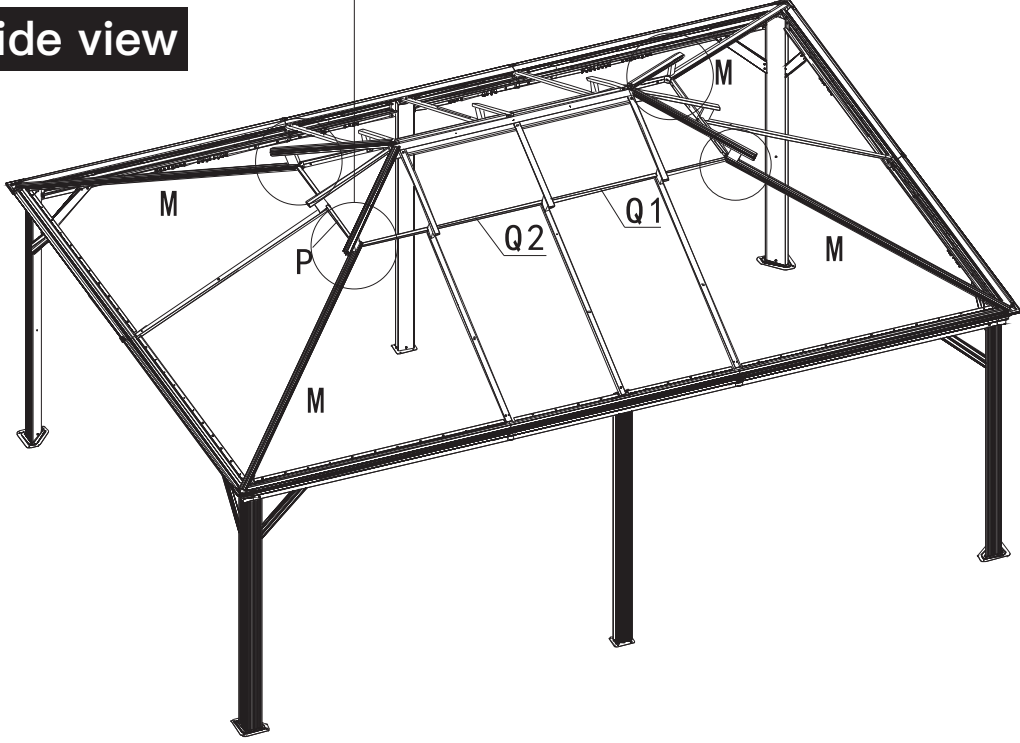


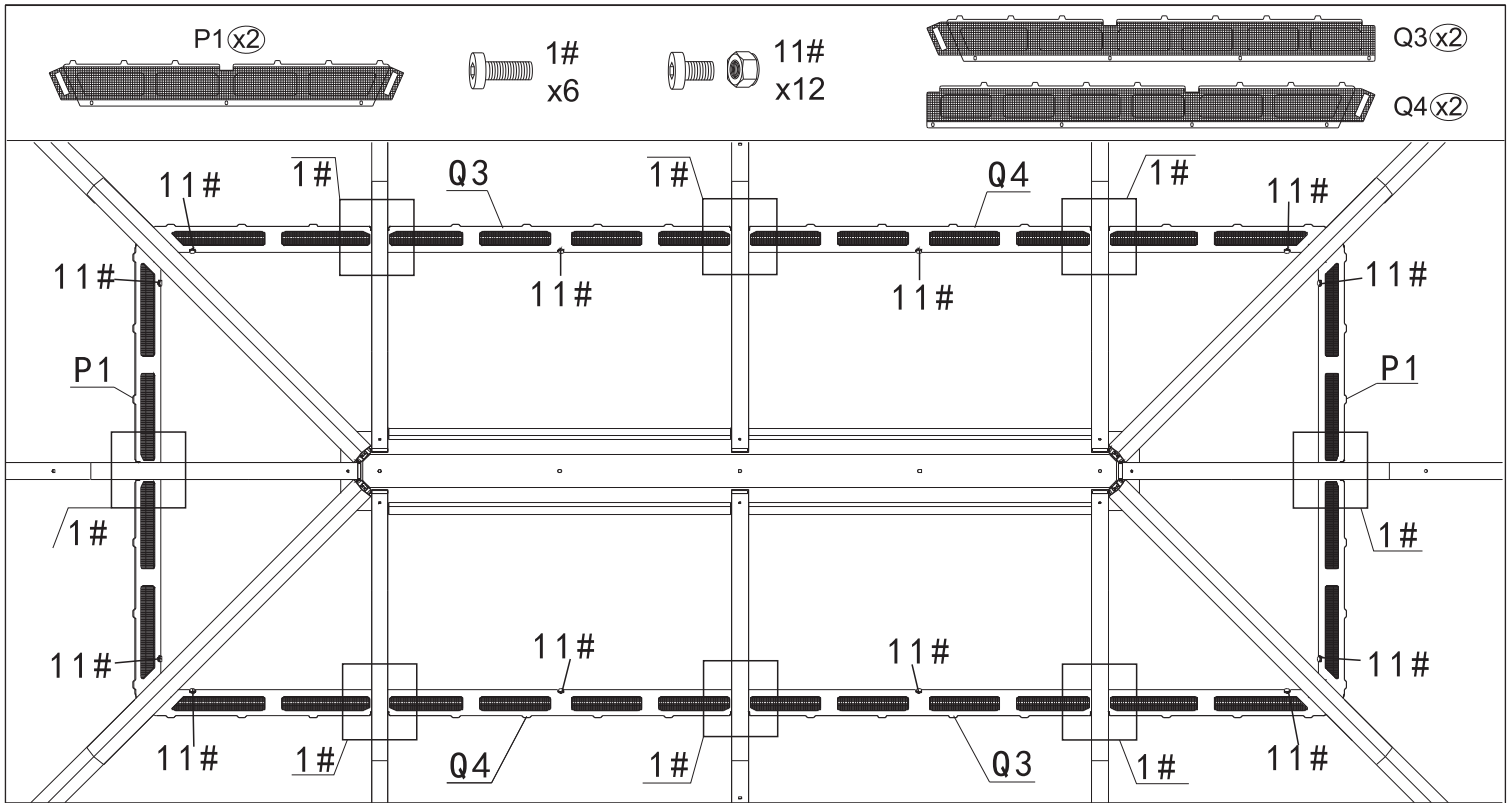
Vertical view

- (1) Attach Part #P and Part #Q2/Q1 to Part #M; Secure with Part #R and Bolt 1#.
- (2) Repeat the above procedures to assemble the other 3 corners.

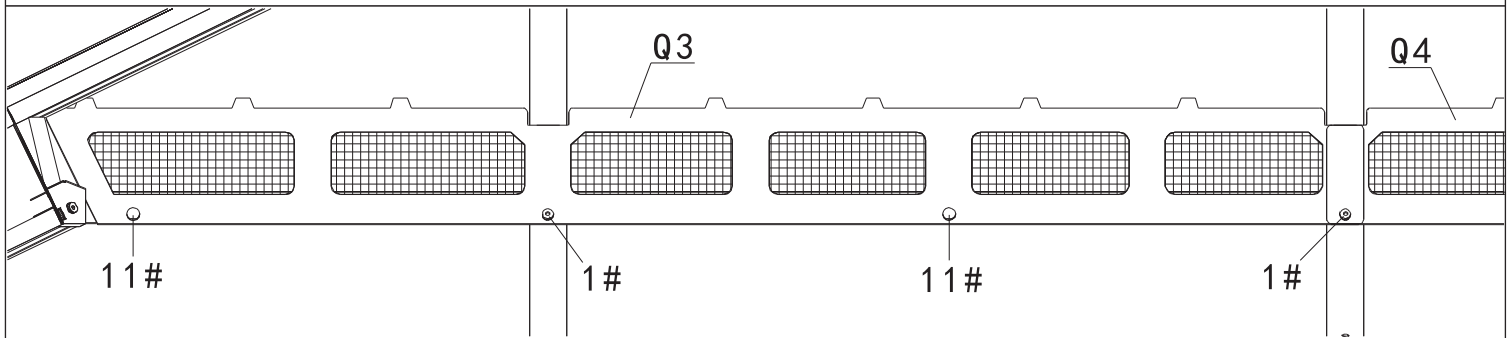
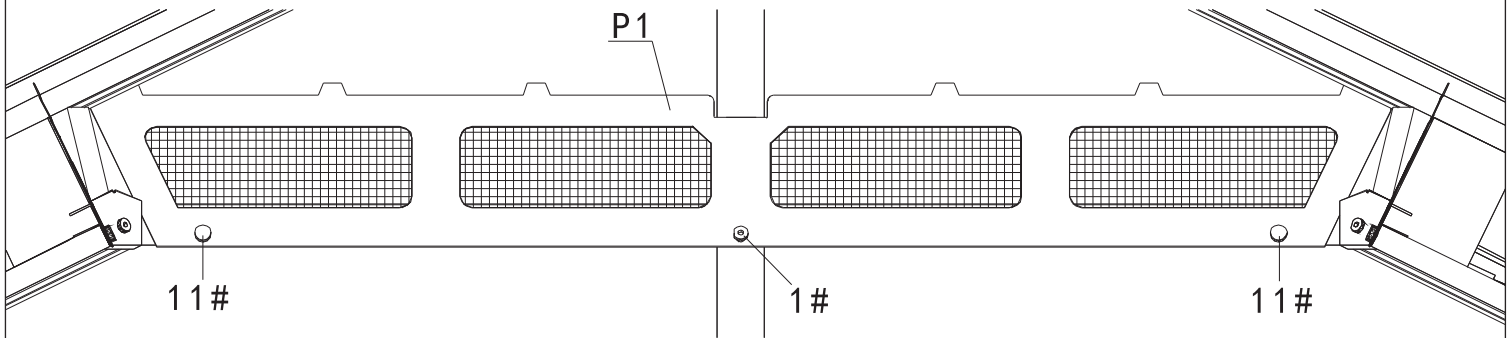


Inside view

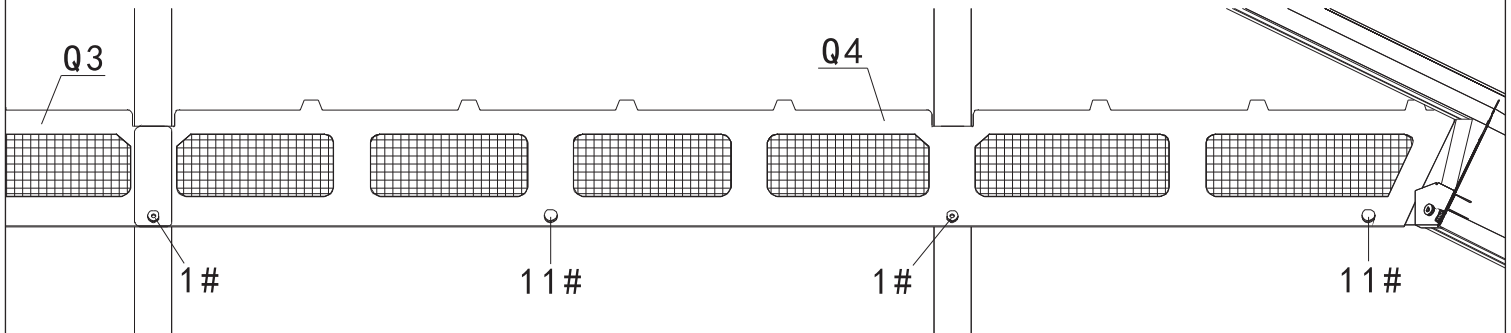




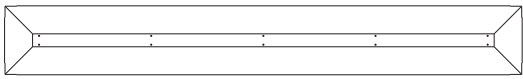
(1) Attach Part #P1 to the frame and use 2 Screws 11# & 1 Screw 1# to fix.



(2) Attach Part #Q3 & #Q4 to the frame and use 4 Screws 11# & 3 Screws to fix.



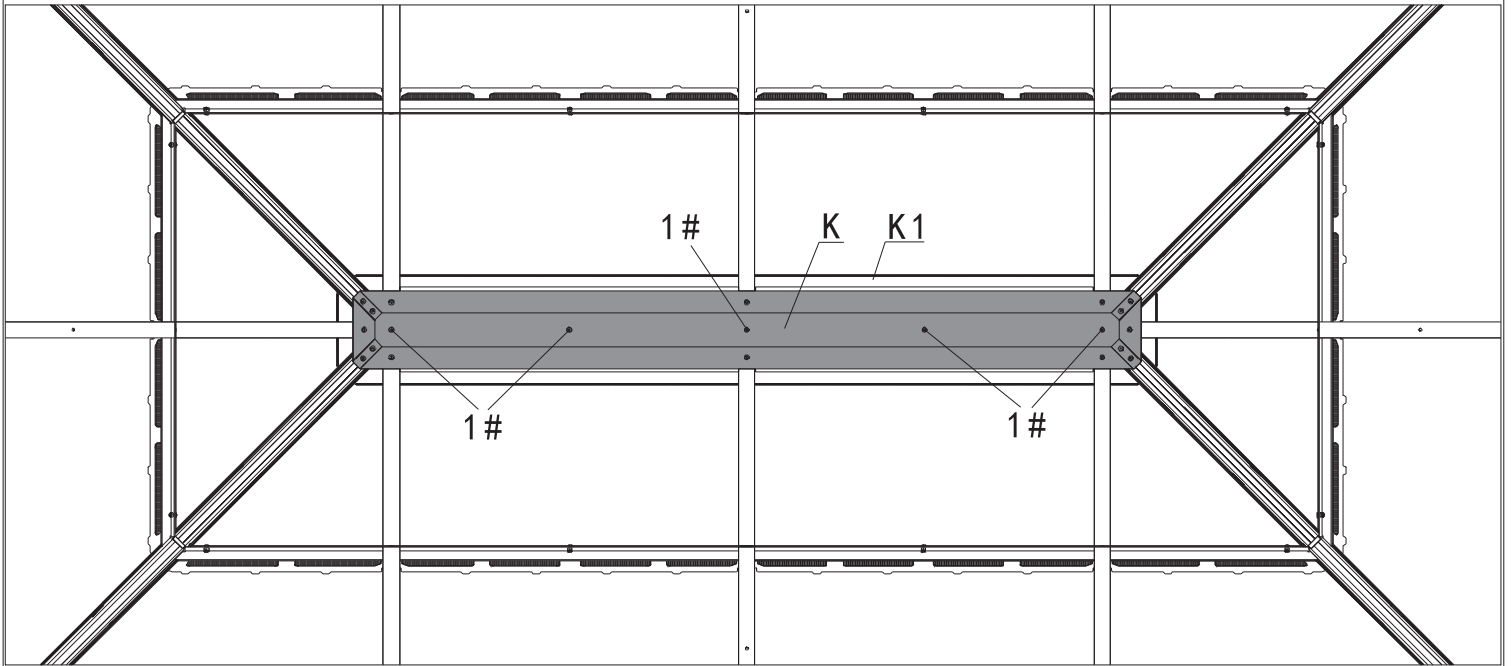
(3) Repeat the above procedures to assemble the opposite side.



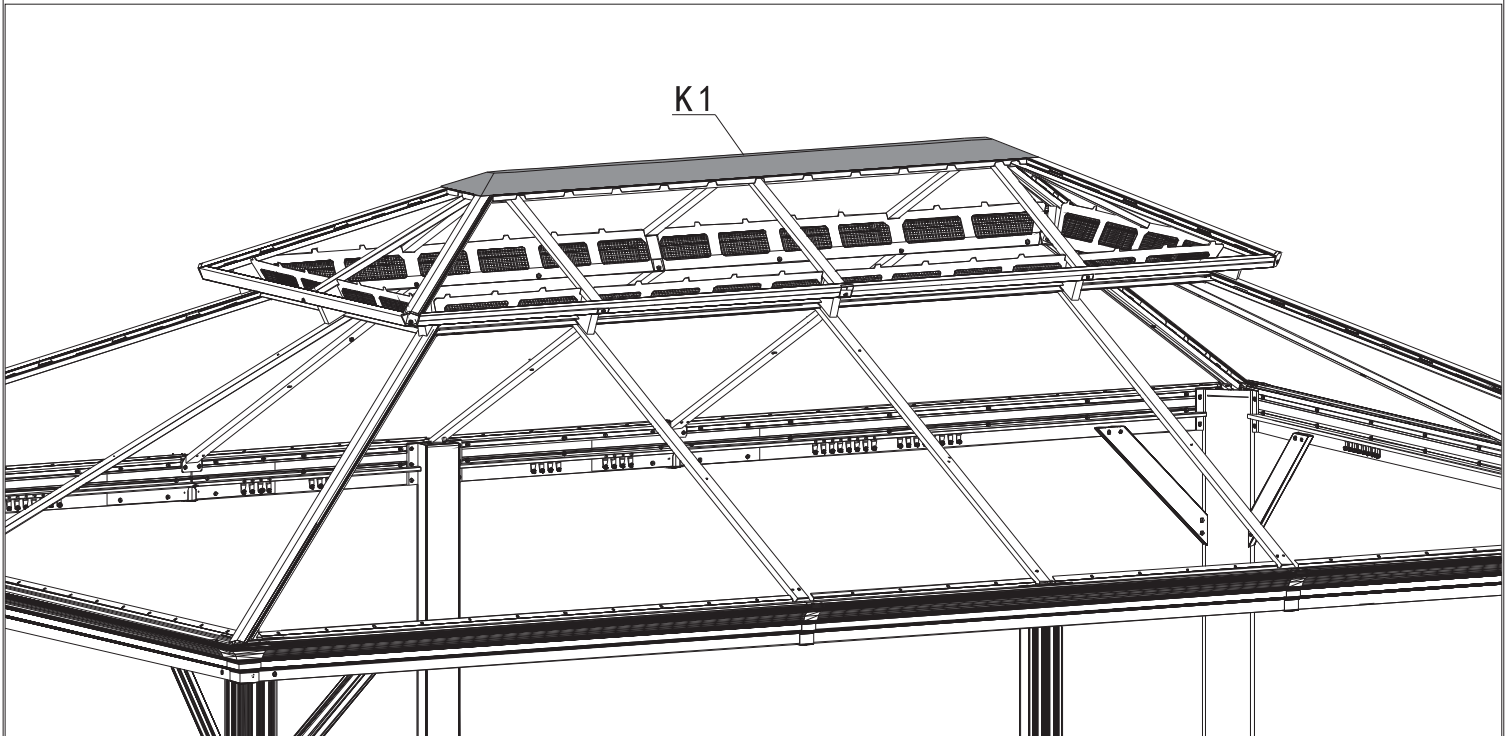
K1 (x1)



1#
x5



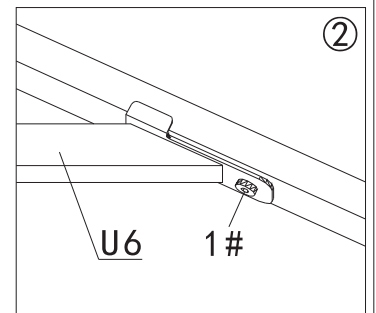
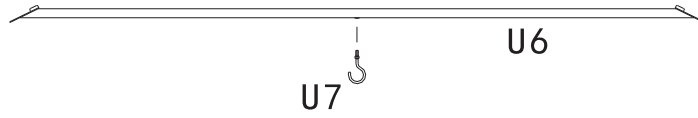
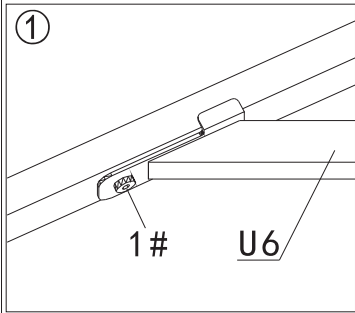
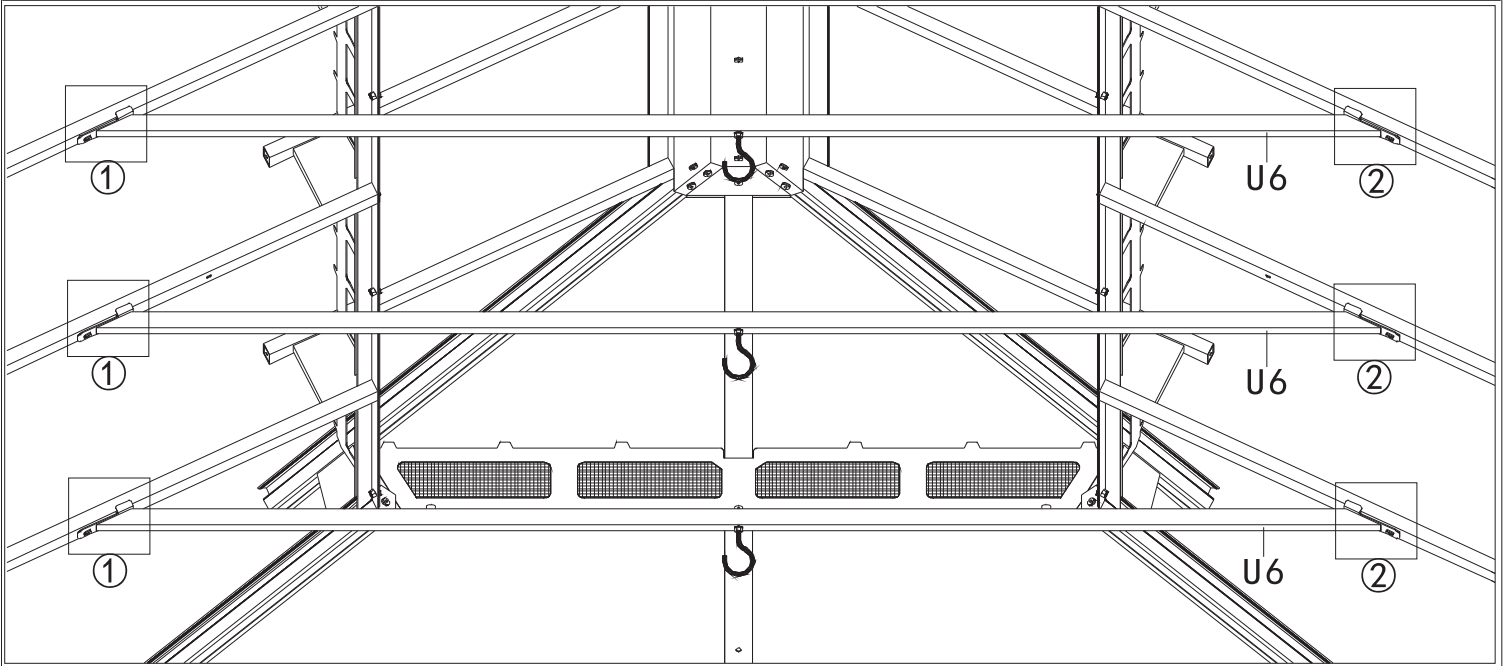
Place Part #K to the top frame and use 5 Screws 1# to fix.



U6(x3)

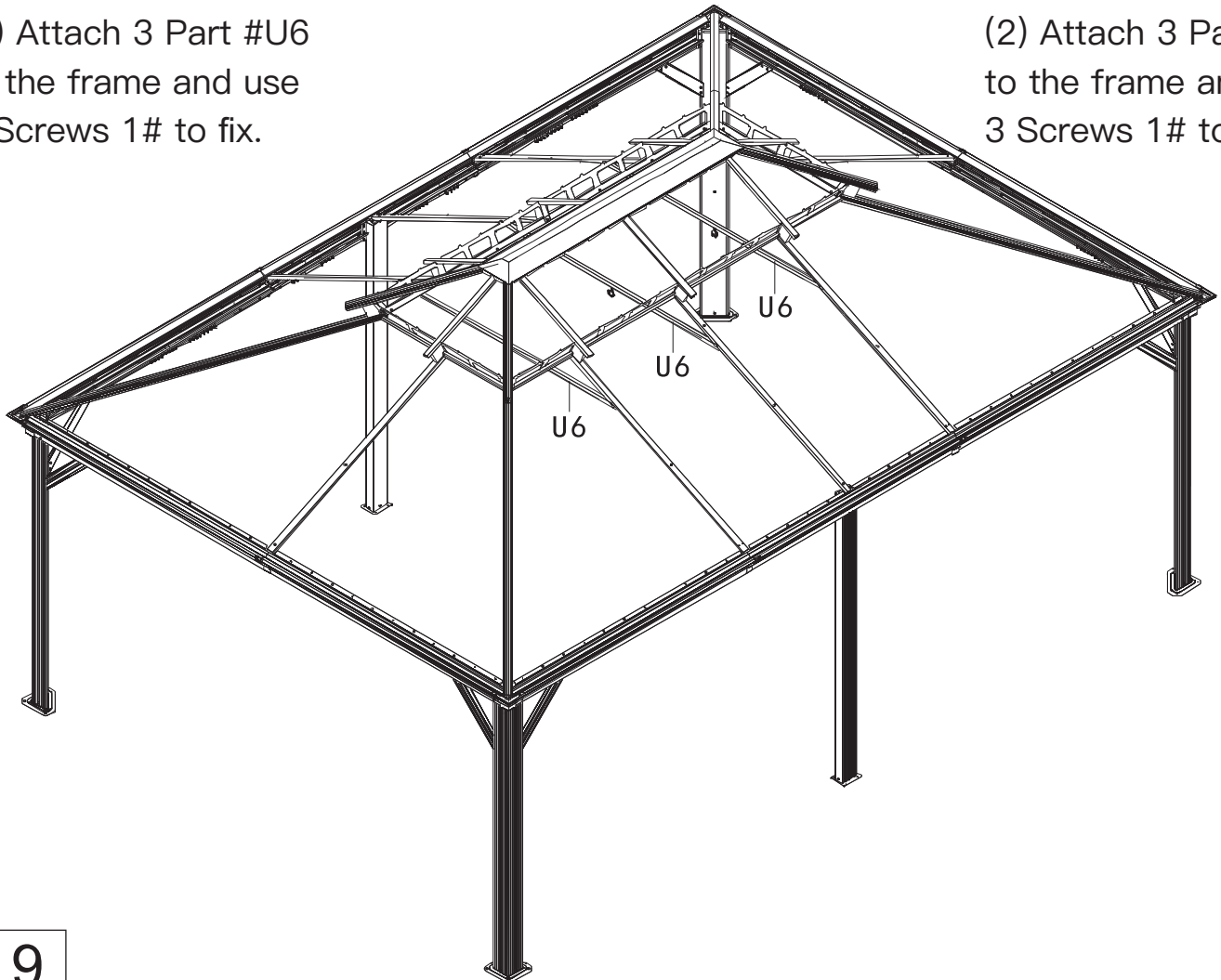
U7(x3)

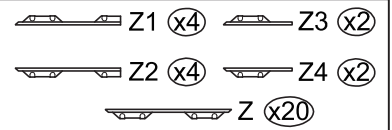
1#
x6



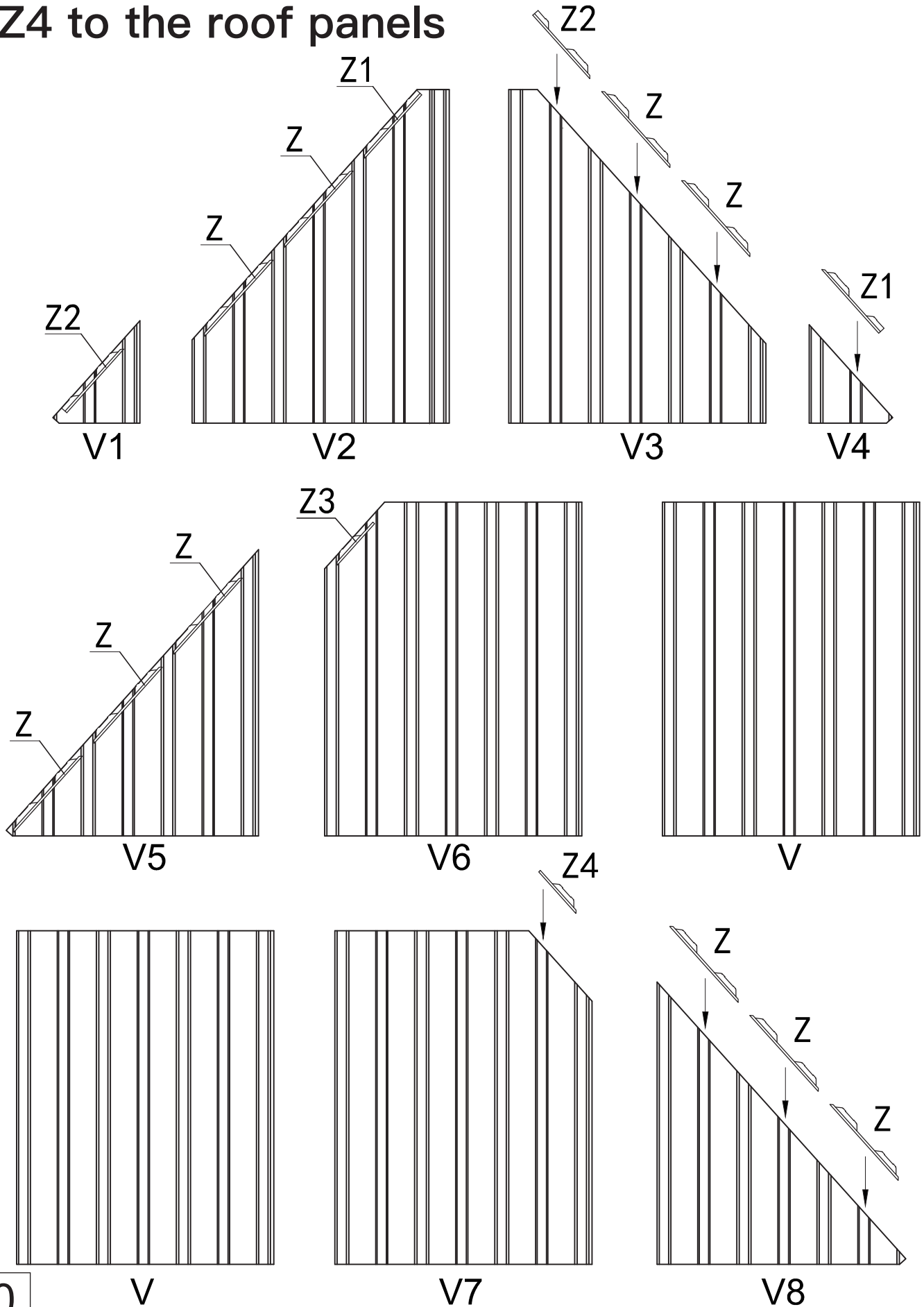
(1) Attach 3 Part #U6 to the frame and use 3 Screws 1# to fix.

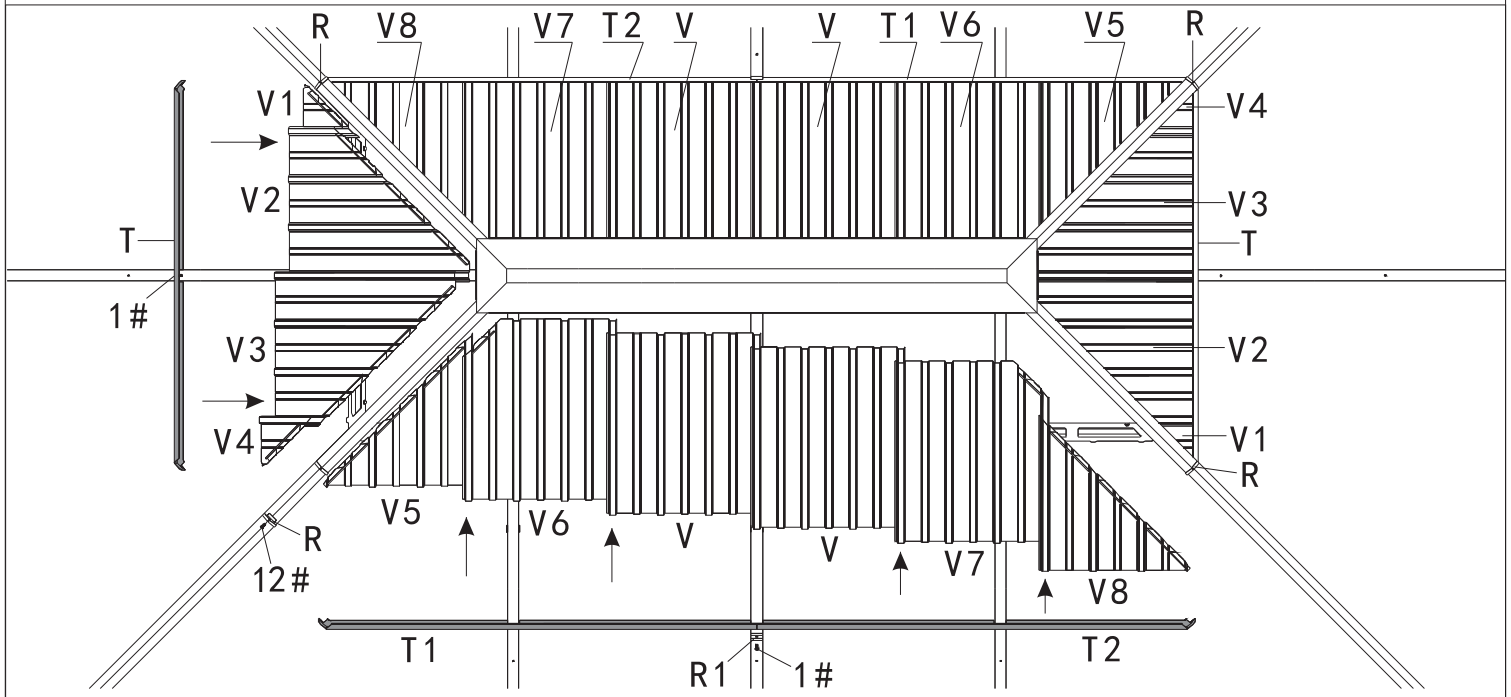
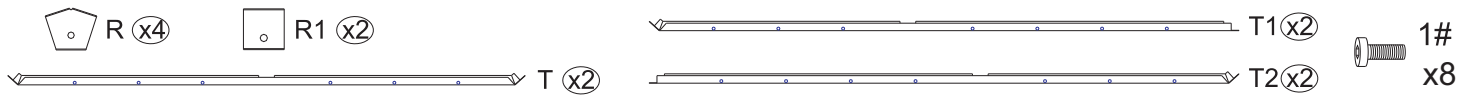
(2) Attach 3 Part #U6 to the frame and use 3 Screws 1# to fix.



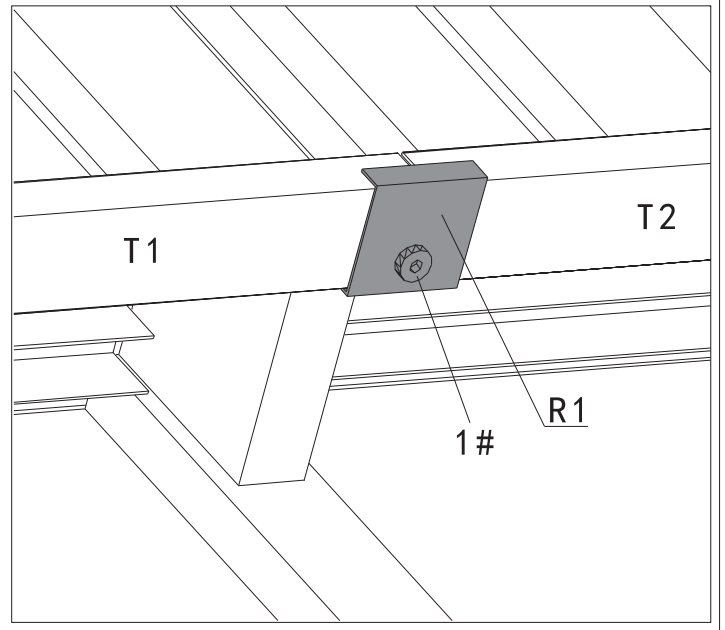
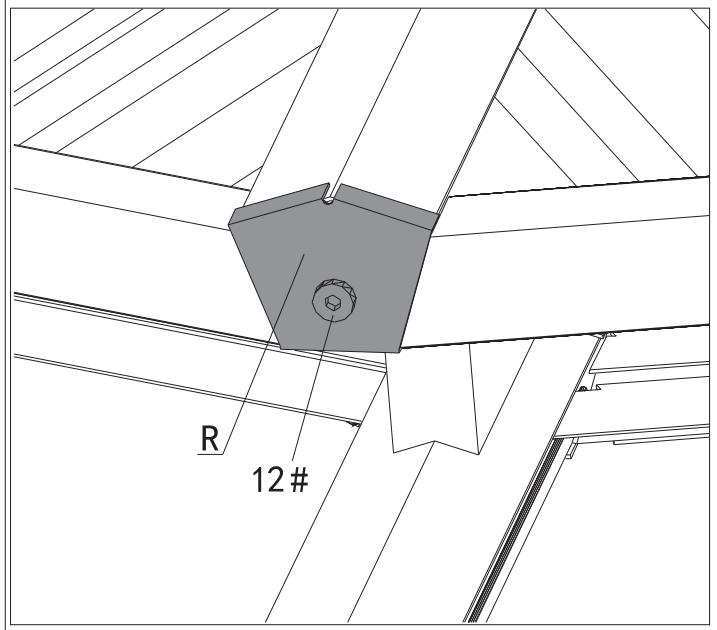


Cover Part #Z & #Z1 & #Z2 & #Z3 & #Z4 to the roof panels

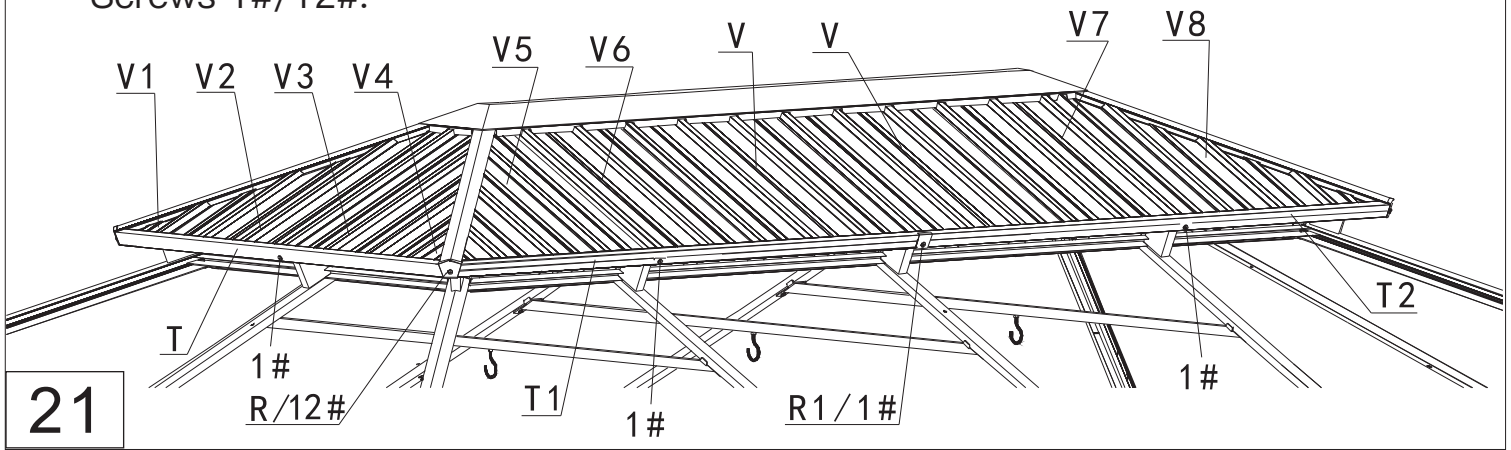


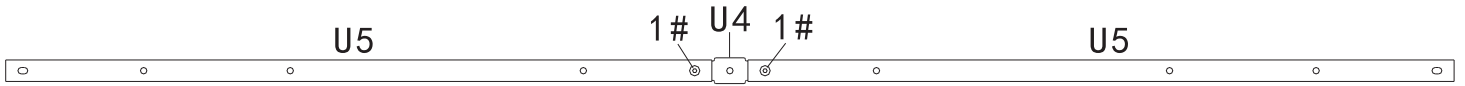
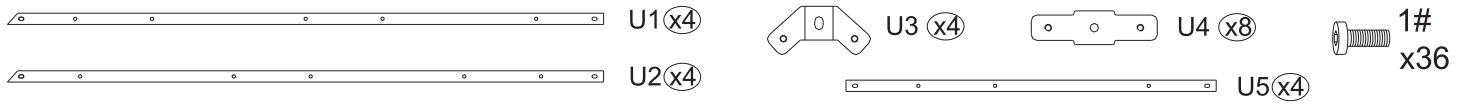


⚠ If you cannot install roof panel #V6, #V, or #V7, please push the outside roof cover up and try to insert them again.



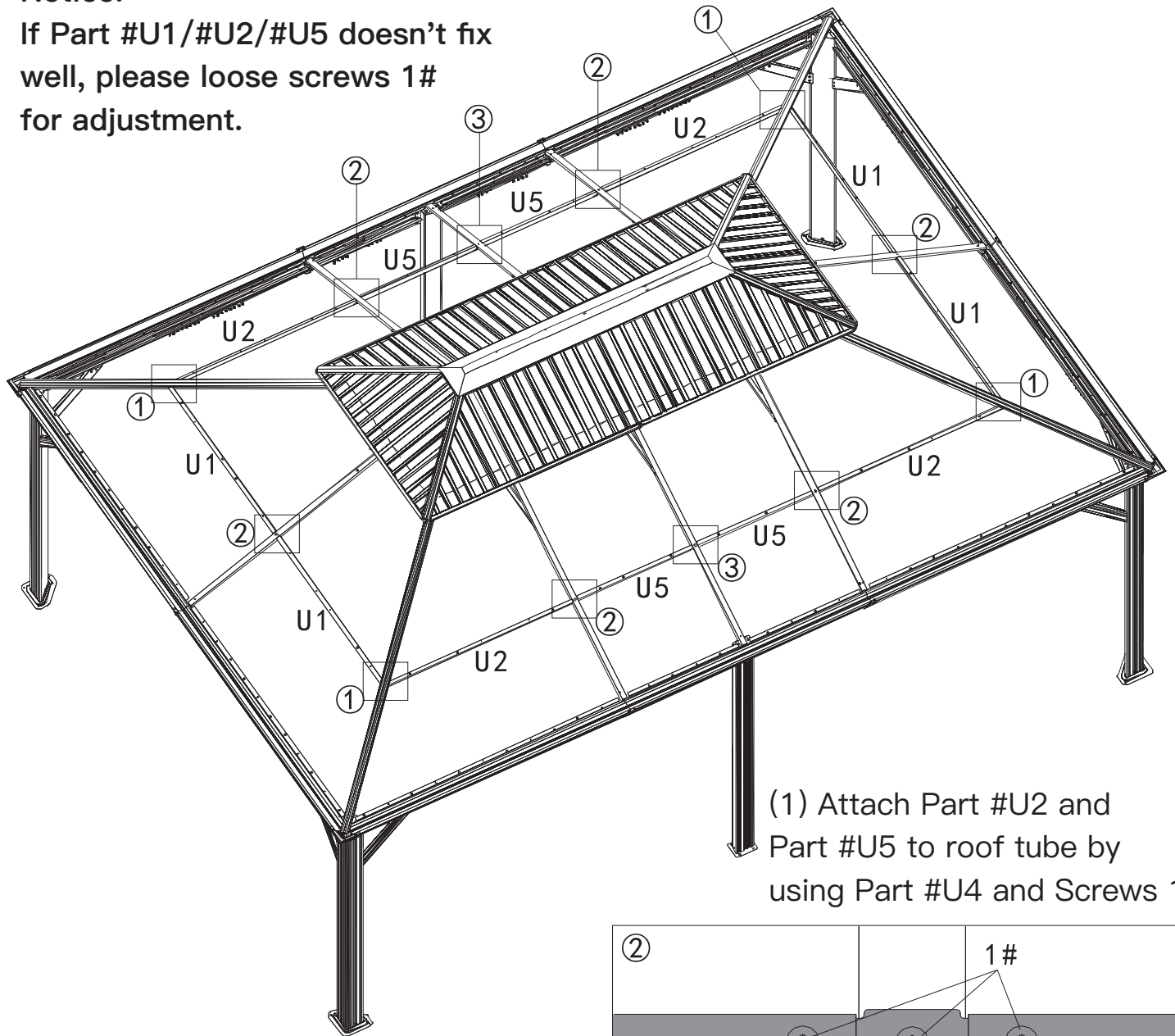
(2) Attach Part #T & #T1 & #T2 to the top roof with Part #R & #R1 by using Screws 1#/12#.





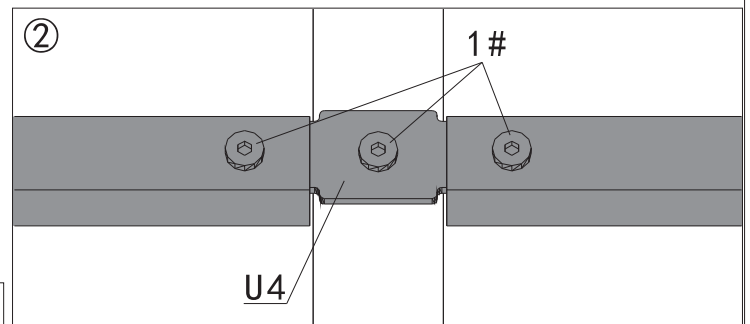
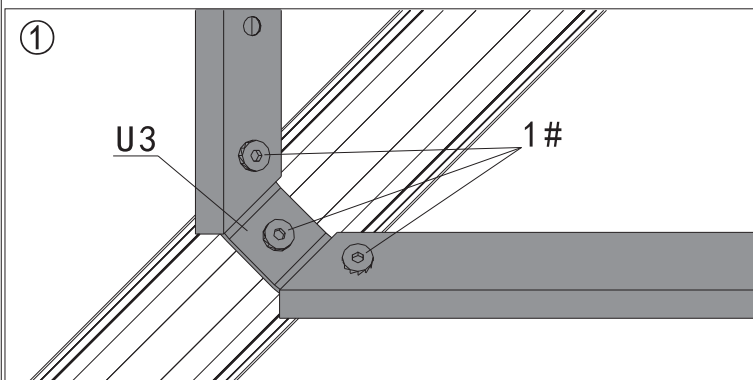
Notice:

If Part #U1/#U2/#U5 doesn't fix well, please loose screws 1# for adjustment.

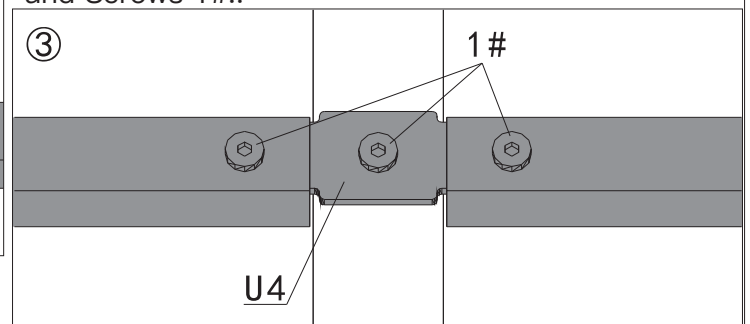


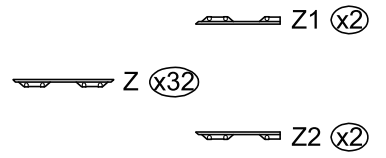
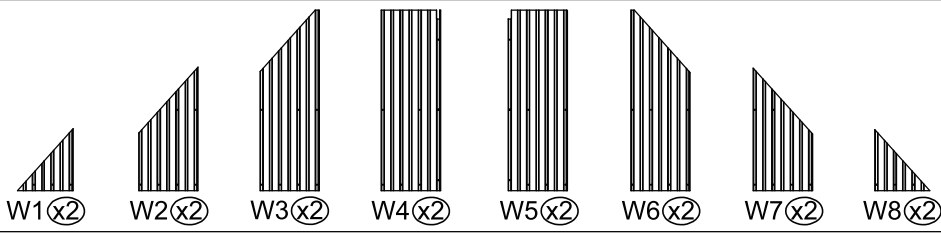
(1) Attach Part #U2 and Part #U5 to roof tube by using Part #U4 and Screws 1#.

(3) Attach Part #U1 & #U2 to corner roof tube by using Part #U3 and Screws 1#.

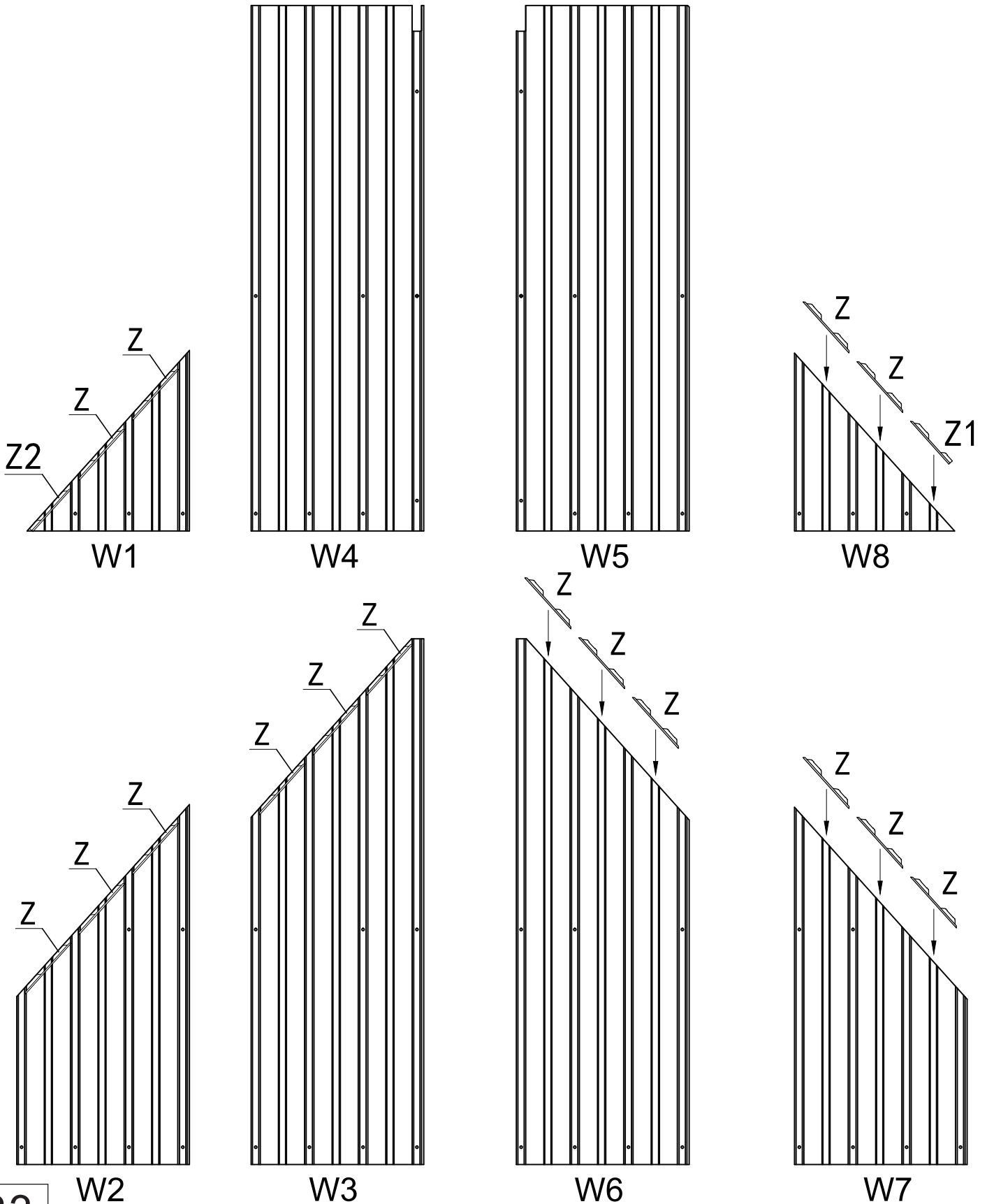


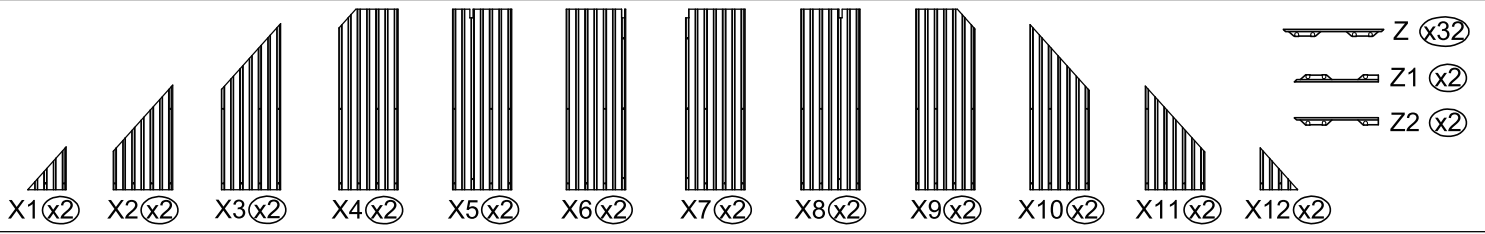
(2) Attach Part #U5 to roof tube by using Part #U4 and Screws 1#..



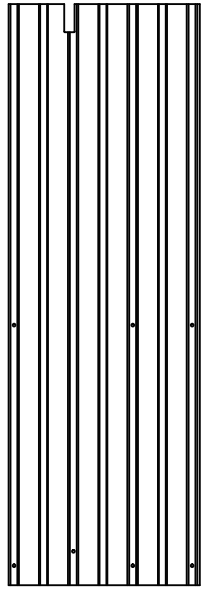


Cover Part #Z, #Z1 & #Z2 to Roof Panels.

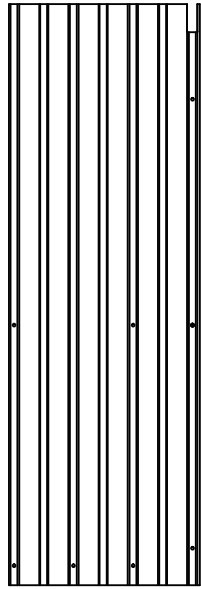




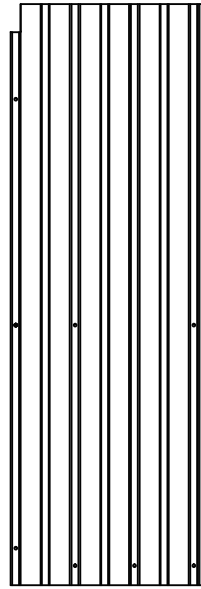
Cover Part #Z, #Z1 & #Z2 to Roof Panels.



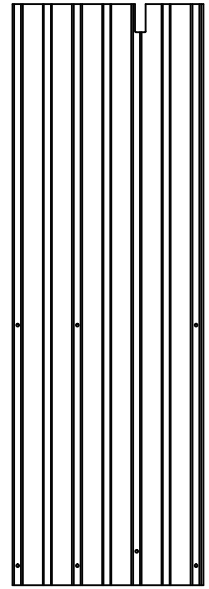
X5



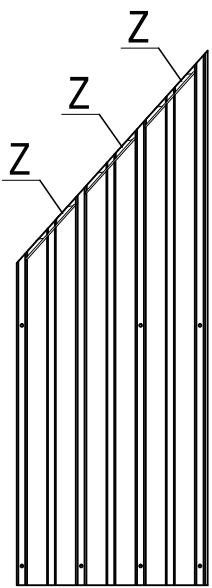
X6



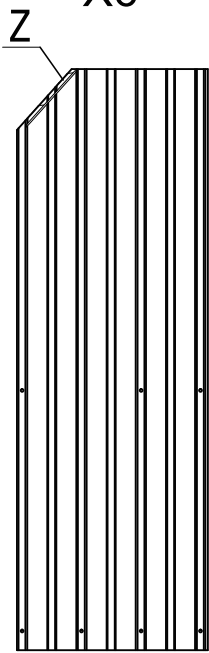
X7



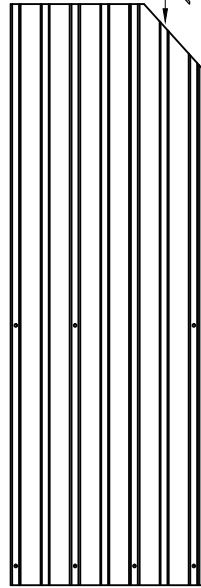
X8



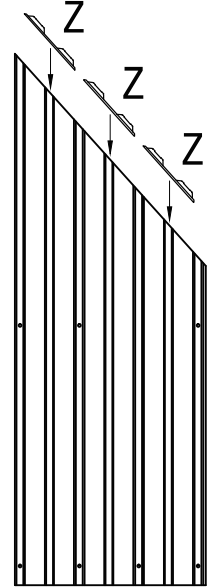
X3



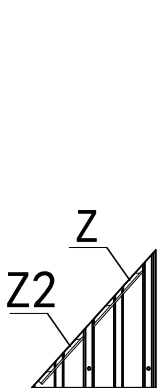
X4



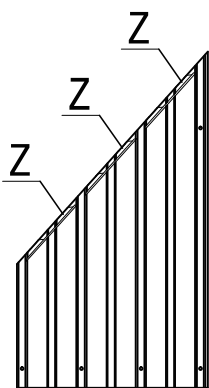
X9



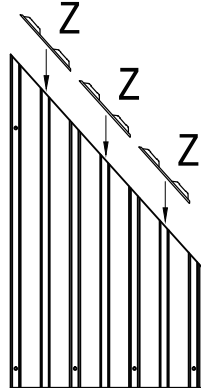
X10



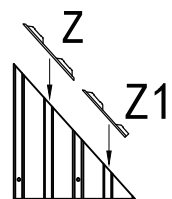
X1



X2



X11



X12

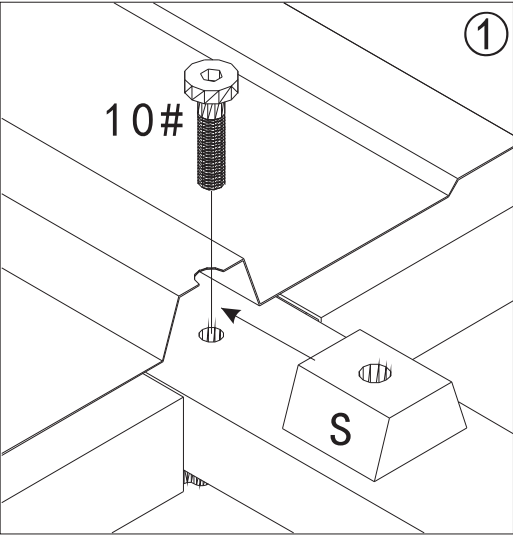
S x172

5# x104

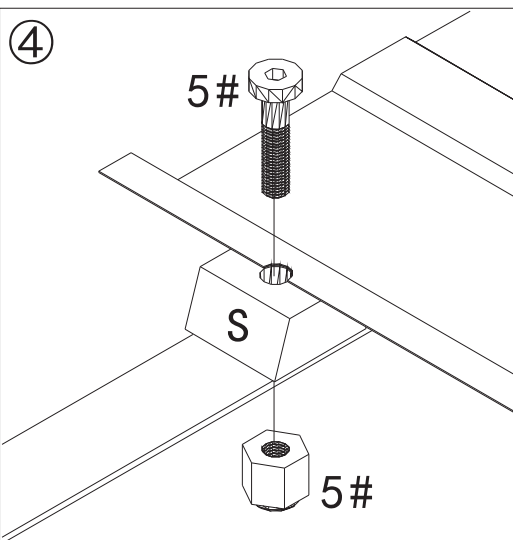
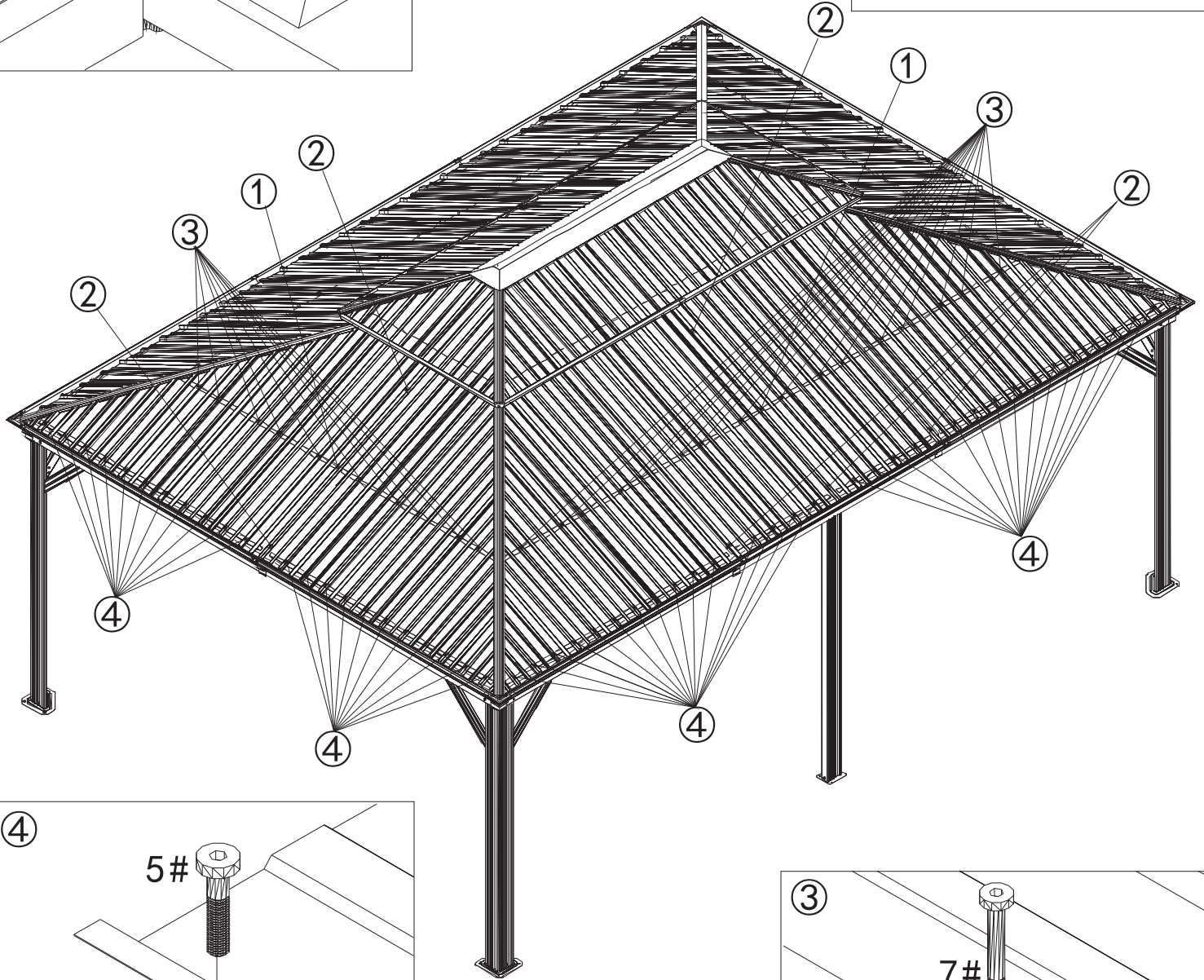
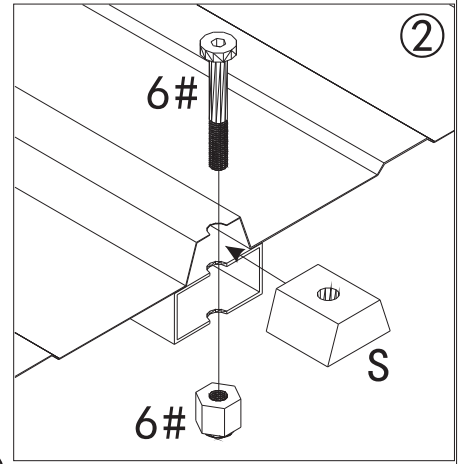
6# x12

7# x52

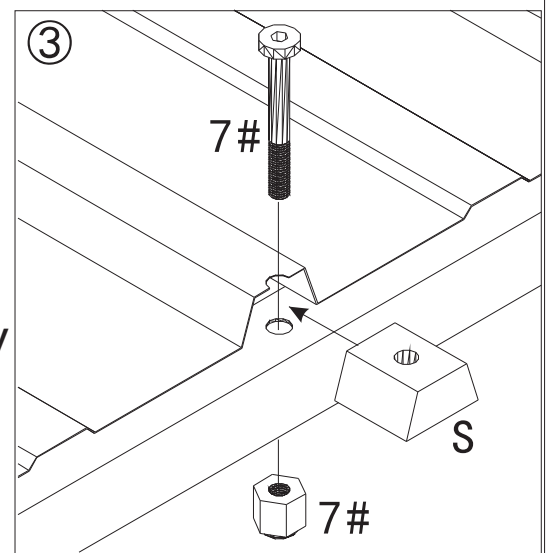
10# x4



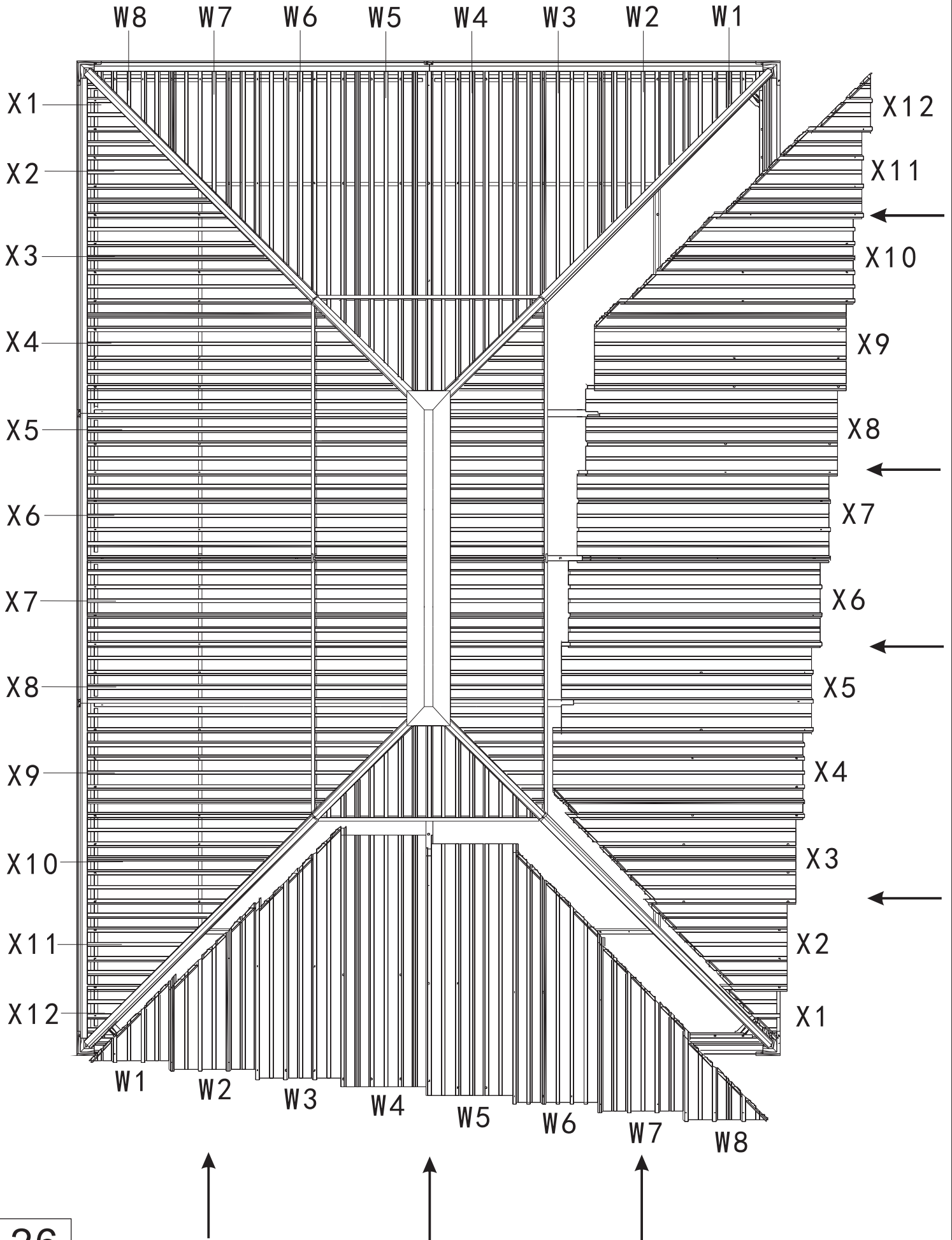
⚠ Part #S should be inserted between roof panels and solidifying bar or beams, then secure with bolts and nuts.

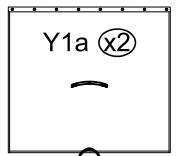
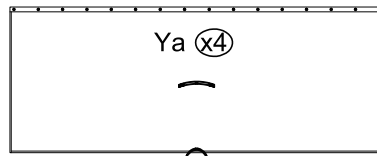
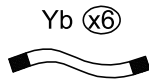
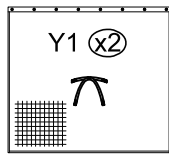
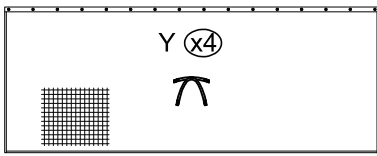


Notice:
Put on one roof panel and fasten it accordingly before attaching.

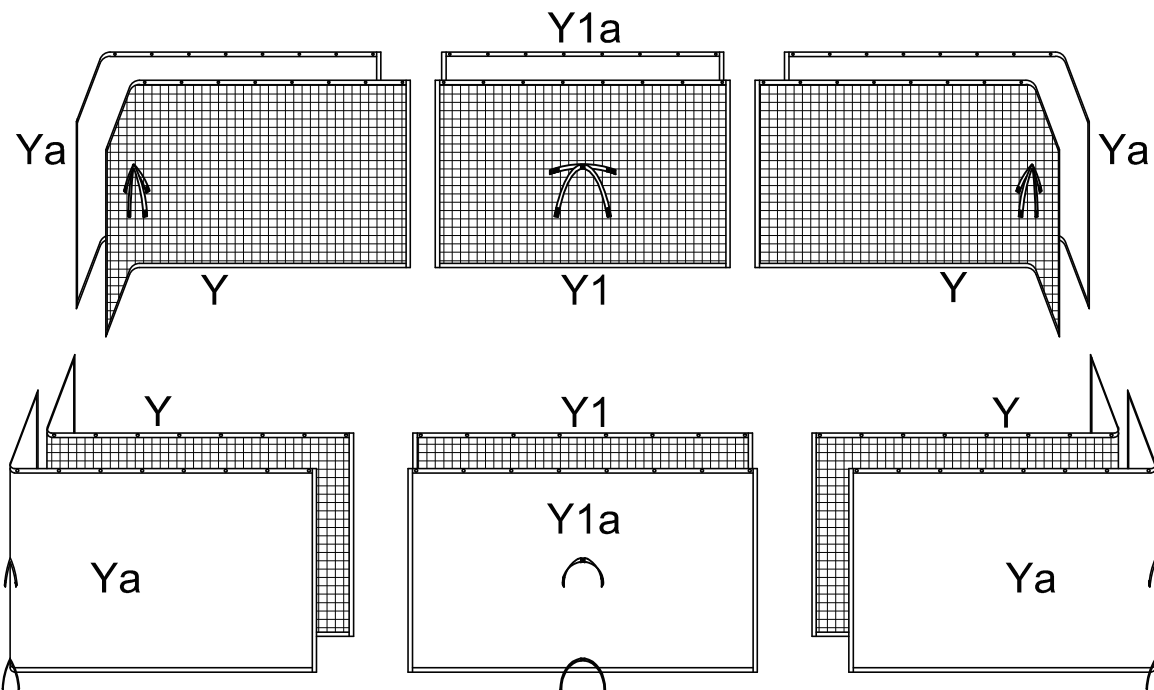
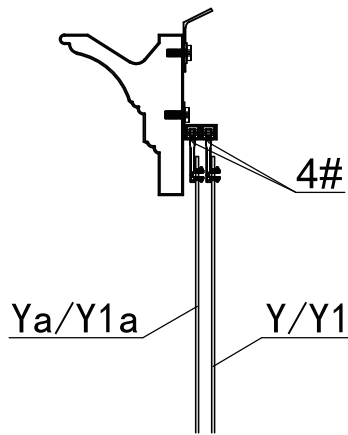
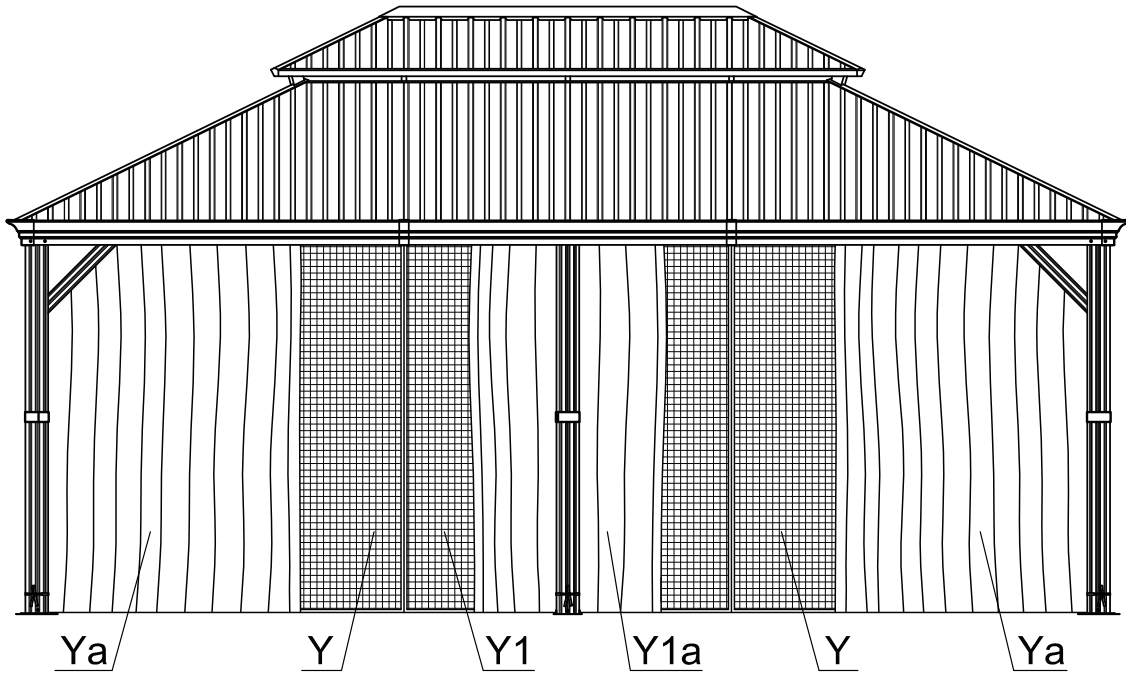


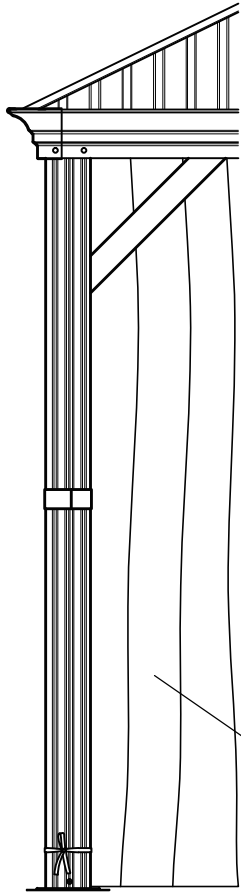
Overall roof assembly





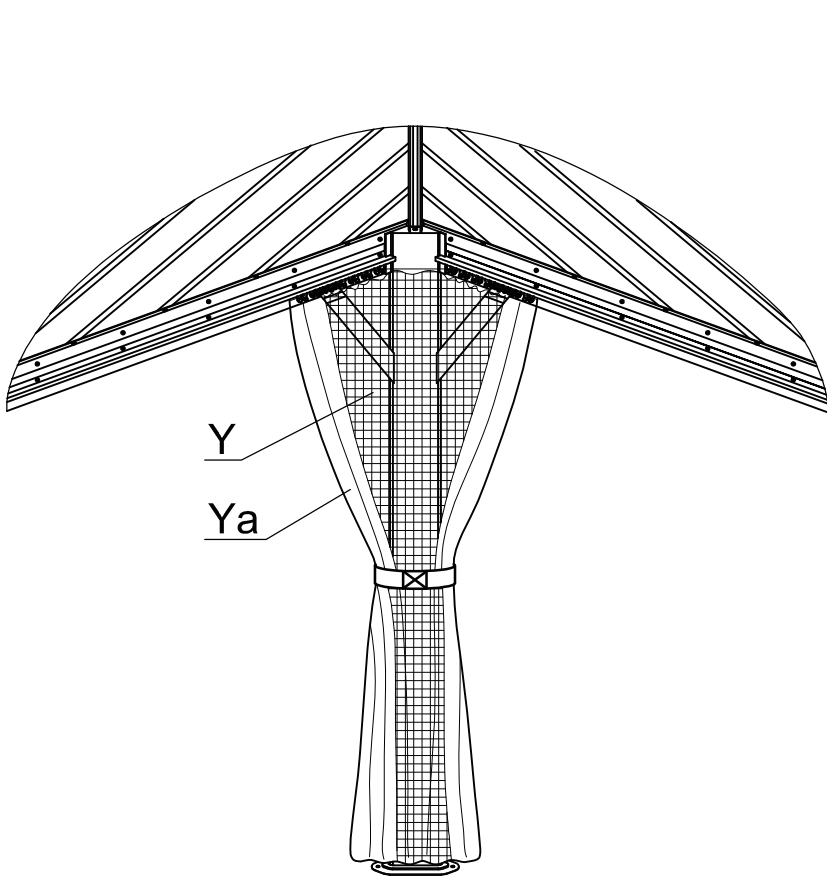
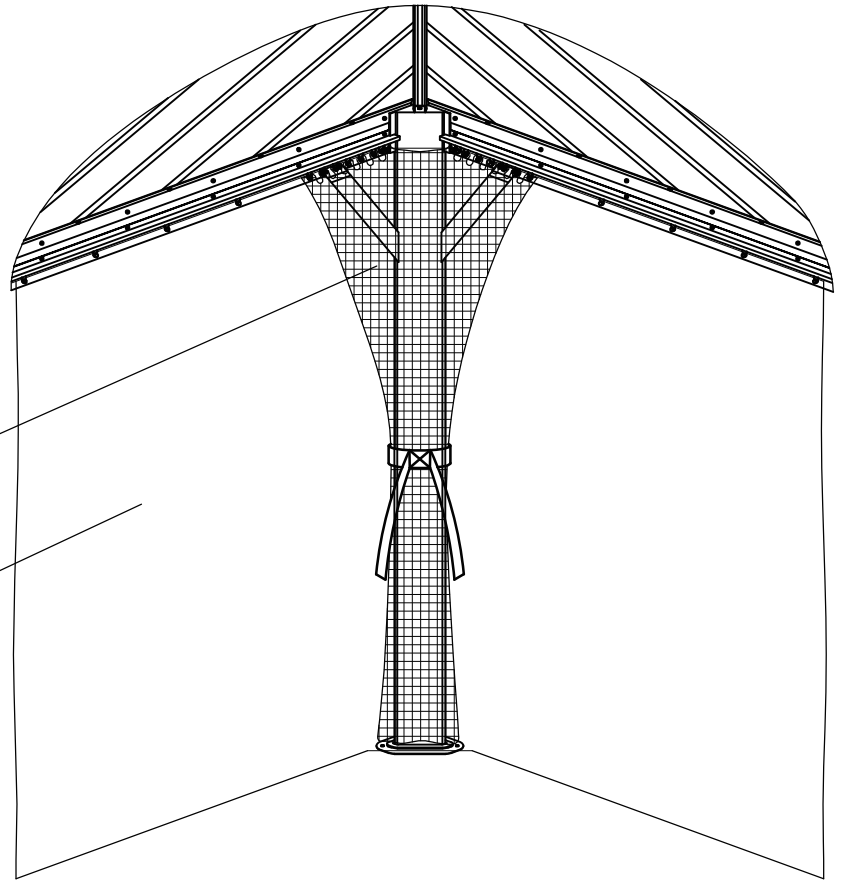
Put on mosquito sidewalls and solid sidewalls.





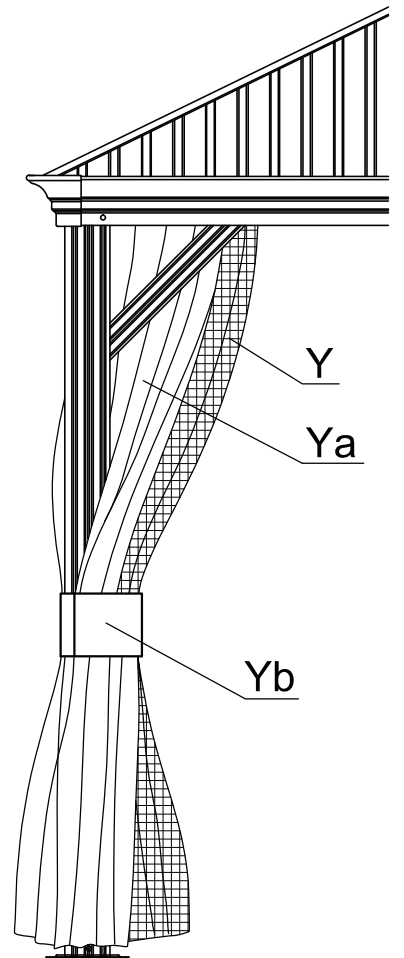
Y
Ya

Ya



Y

Ya



Y

Ya

Yb



Thanks for your purchase.

At domi outdoor living, we believe in our products.

That's why we provide a 12-month warranty and

friendly, easy-to-reach after-sales service. So if you

have any questions about our product and assembly-

,please feel free to contact us. We will be here for you.

Support:  

After-sales contact email:

service@domioutdoorliving.com

Business cooperation contact email:

marketing@domioutdoorliving.com

Please tell us your order ID when contact.

Attach photos of damaged part for instant reply.