



**12'×13.6'**

SKU: LGMF1611

WALL MOUNT GAZEBO

**Assembly Manual**

**T**hank you for your purchase of

*Domi outdoor living's Gazebo*

Read and follow this assembly and operation guide.

To reduce personal injury and damage to your gazebo

Please **close** your gazebo curtain when it is incoming over **30 mph** wind.

We recommend a **two-person team** for assembly and disassembly.

If you like our products, please tell other customers

If you have prbblem with our products, please tell us

**Please feel free to contact us.**

**DOMI OUTDOOR LIVING**

**domi**  
outdoor living

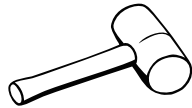
## Pre-assembly

### TOOLS THAT MAY BE REQUIRED (Not included in boxes)

\*NOTE: Tools / equipment are not shown to actual size and scale.



LEVEL



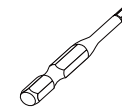
RUBBER Mallet



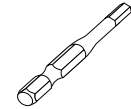
PHILLIPS SCREW



DRILL



ALLEN KEY



ALLEN KEY

### EQUIPMENT REQUIRED (Not included in boxes)

\*NOTE: Equipment are not shown to actual size and scale.



SAFETY HAT



GLOVES



SAFETY GOGGLES



STEPLADDER

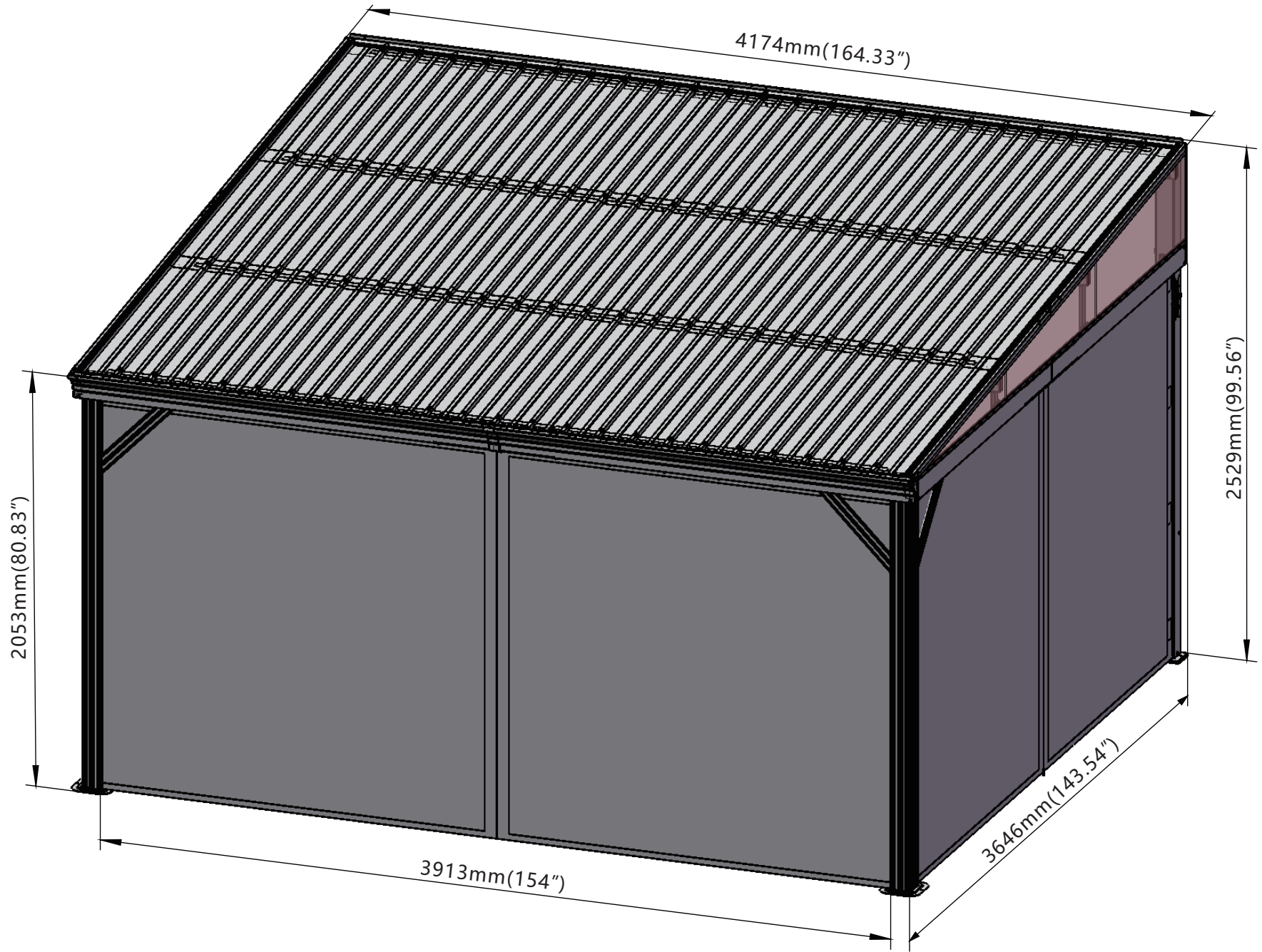
### Matters needing attention



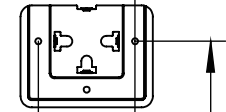
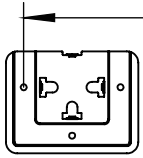
1. Two or more people are required for assembly.



2. Do not fully tighten screws prior to complete assembly.

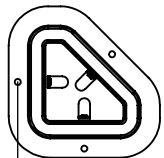


4151mm(163.42")



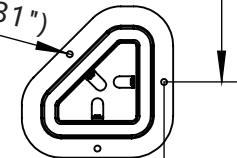
128mm(5.04")

3455mm(136")

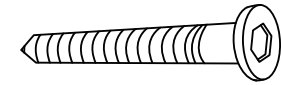
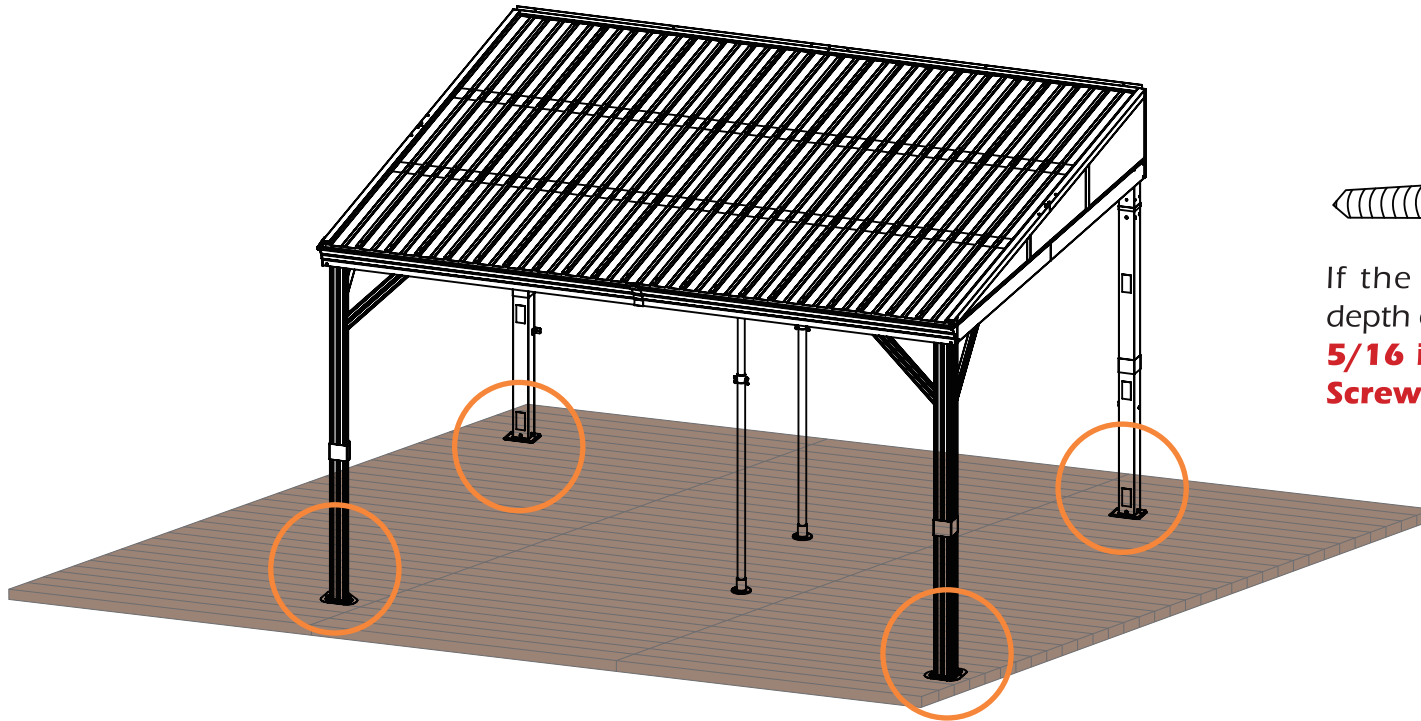


4013mm(158")

8mm(0.31")

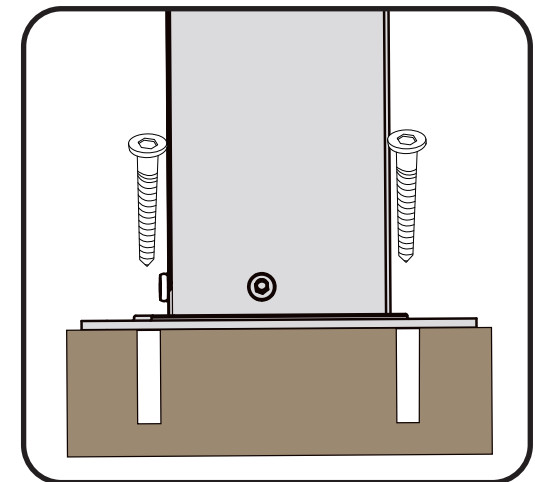
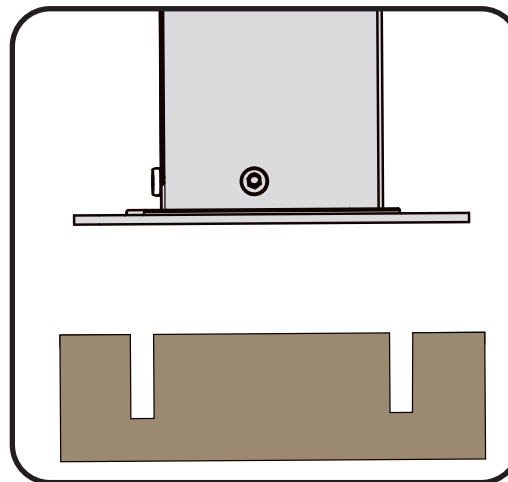


1

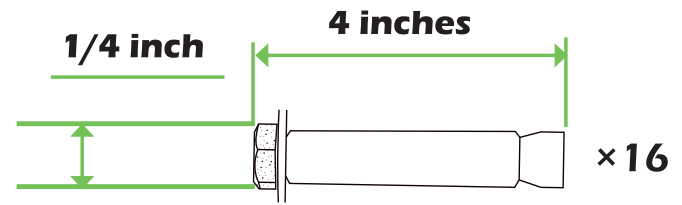
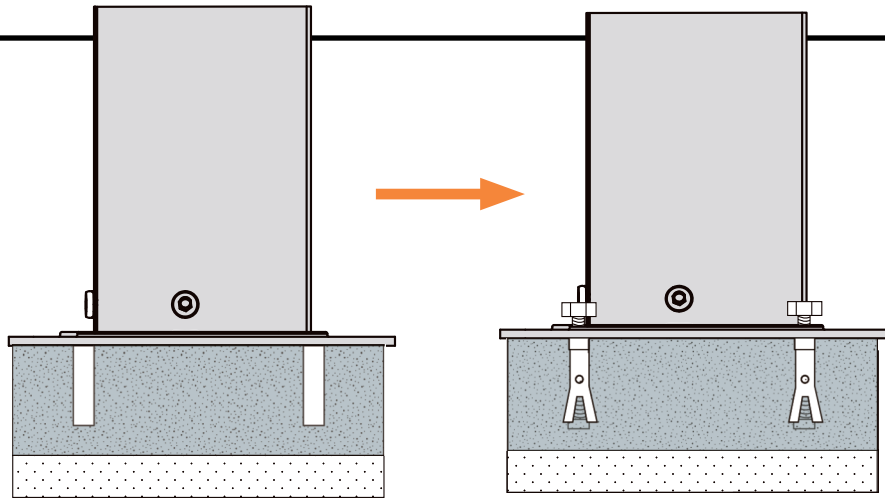


×16

If the deck is hard wood and the depth of it is over 3 inch, you can use **5/16 in. ×4 in. Structural Wood Screw** to mount the pergola.

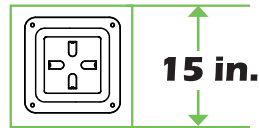
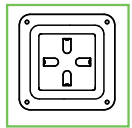


2

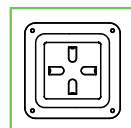
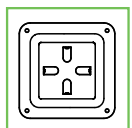


If the ground is concreted and the depth of it is over 3 inch, you can use 1/4 inch expansion bolts to mount the pergola

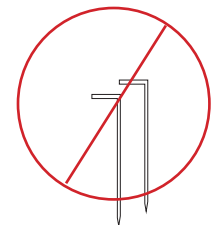
3

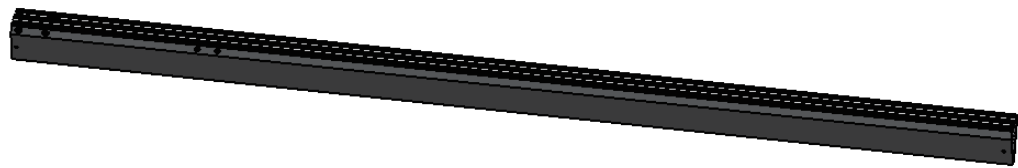


Or you can make a concrete footing for pergola, **15×15×15 inches** is recommended. use expansion bolts to mount the pergola like (2) shows.



**IMPORTANT:**  
Anchor is not recommended

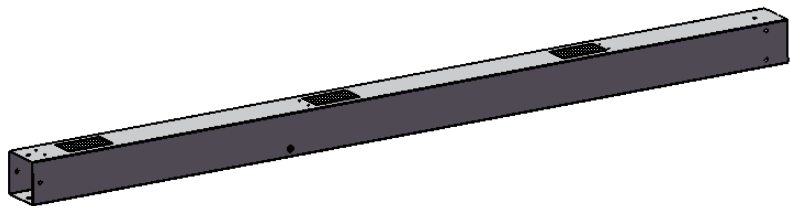




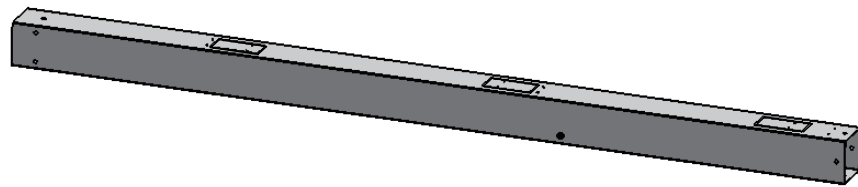
A1 1X



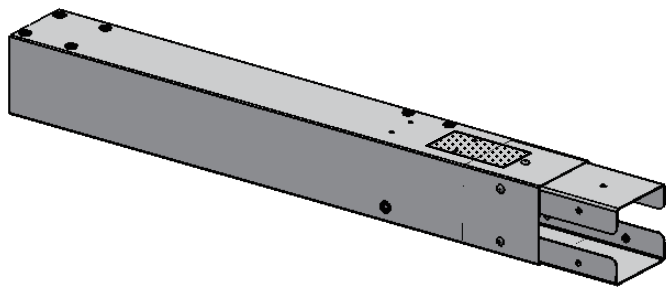
A2 1X



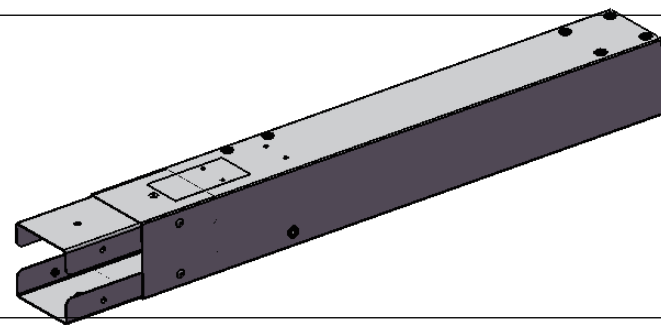
A3 1X



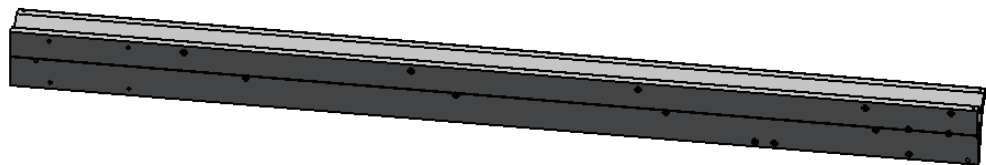
A4 1X



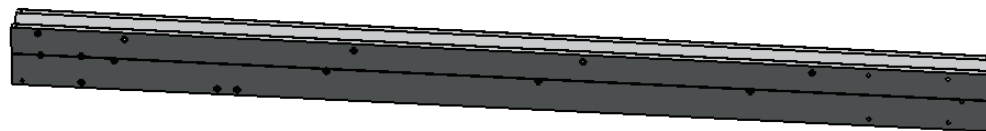
A5 1X



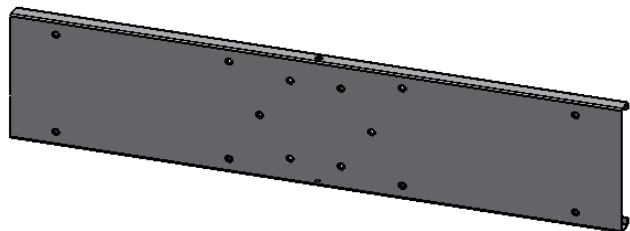
A6 1X



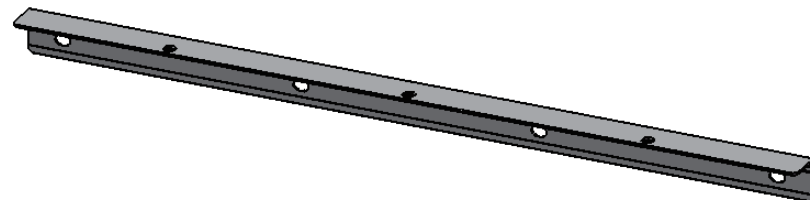
B1 1X



B2 1X

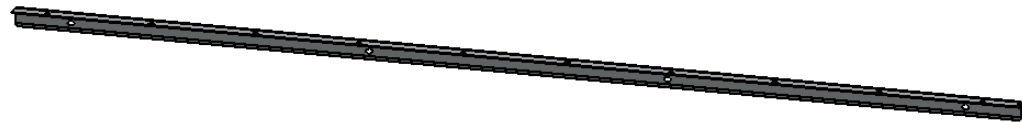


C 1X



D1 4X

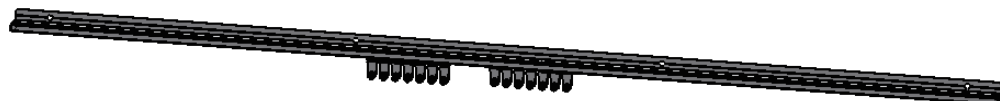




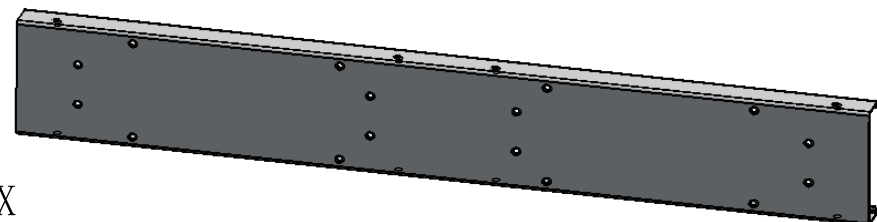
D<sub>2</sub> 8X



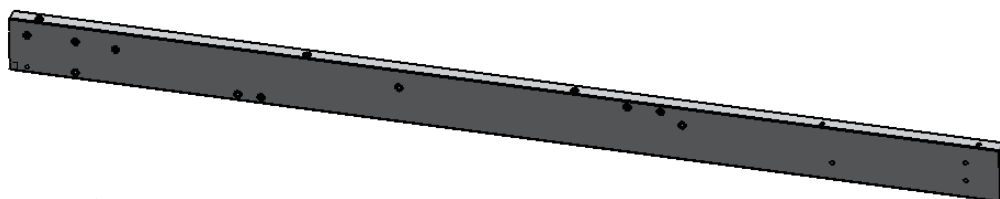
E<sub>1</sub> 2X



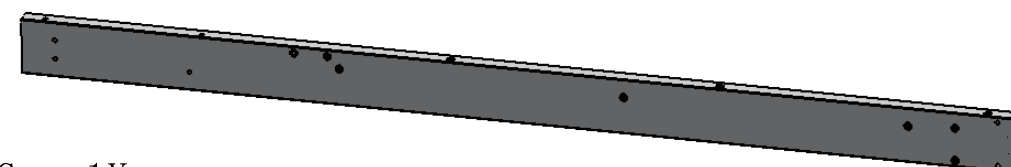
E<sub>2</sub> 4X



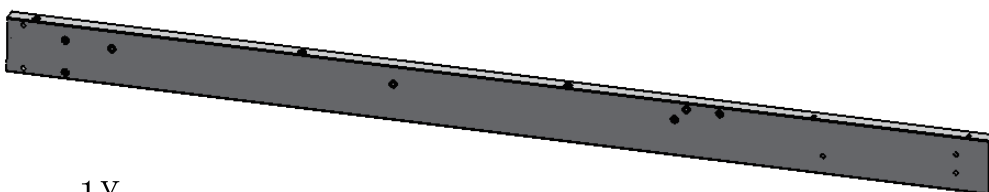
F 5X



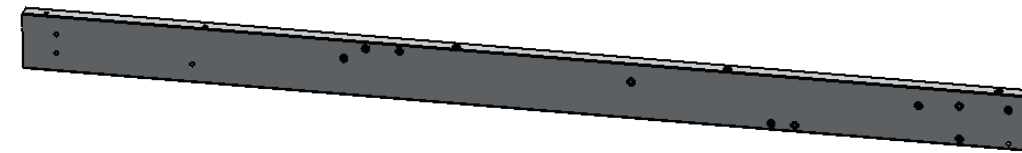
G<sub>1</sub> 1X



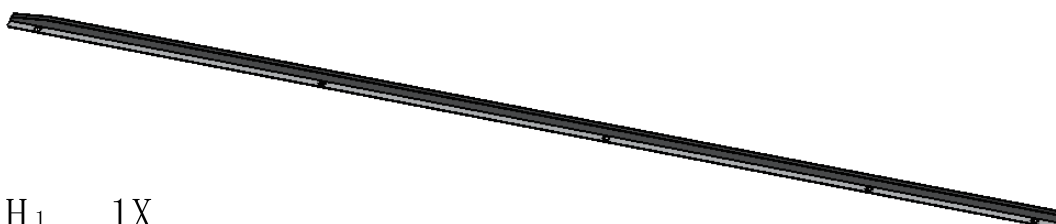
G<sub>2</sub> 1X



G<sub>3</sub> 1X



G<sub>4</sub> 1X



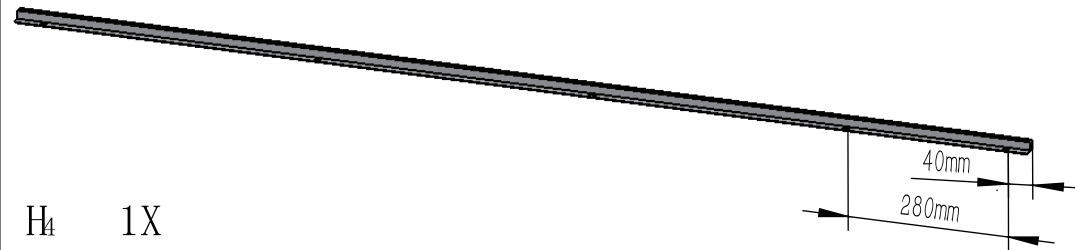
H<sub>1</sub> 1X



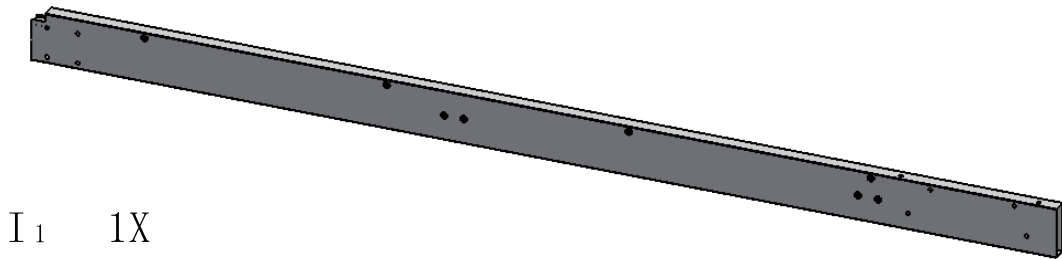
H<sub>2</sub> 1X



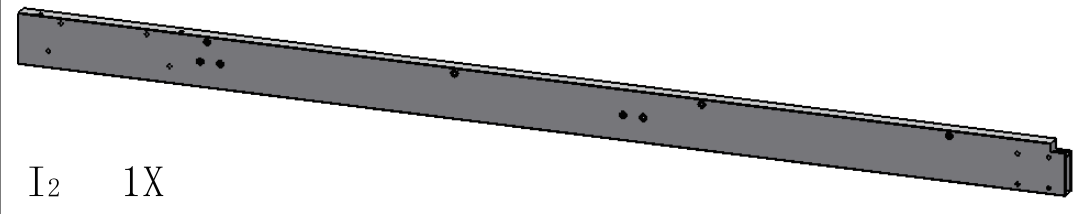
H<sub>3</sub> 1X



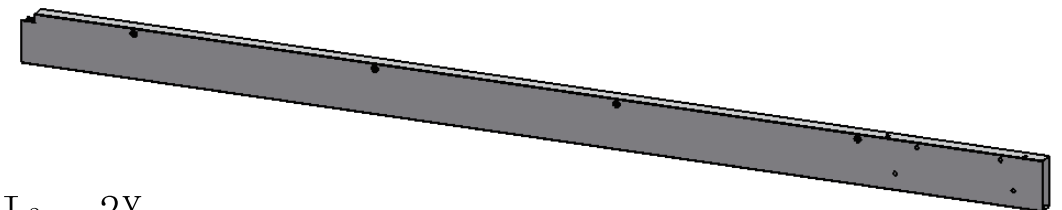
H<sub>4</sub> 1X



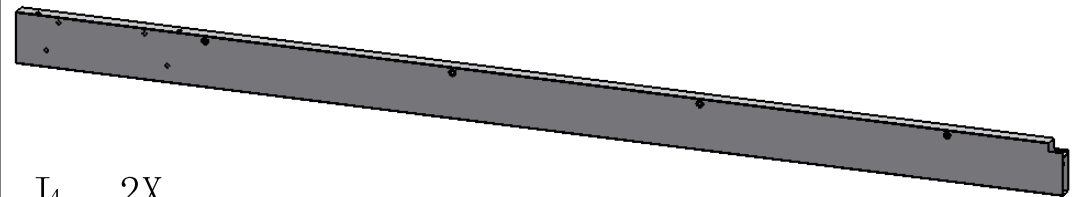
I<sub>1</sub> 1X



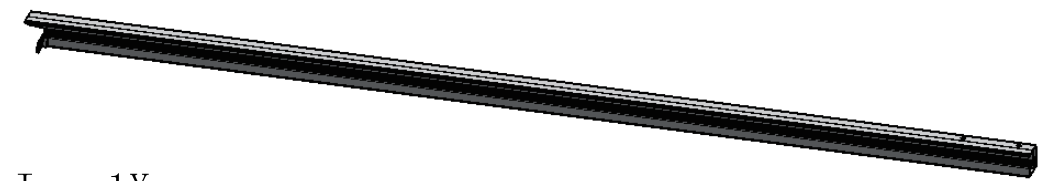
I<sub>2</sub> 1X



I<sub>3</sub> 2X



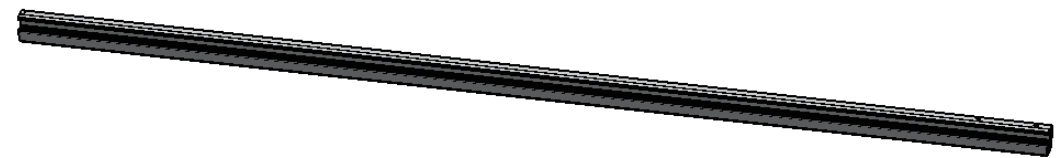
I<sub>4</sub> 2X



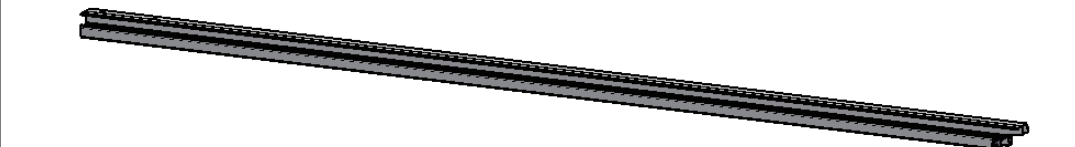
J<sub>1</sub> 1X



J<sub>2</sub> 1X

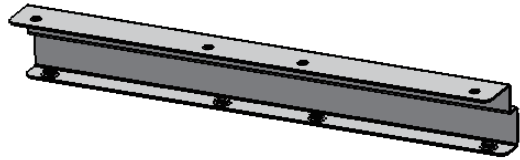


J<sub>3</sub> 1X

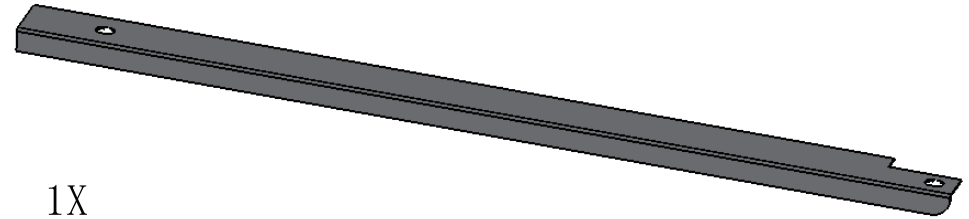


J<sub>4</sub> 1X

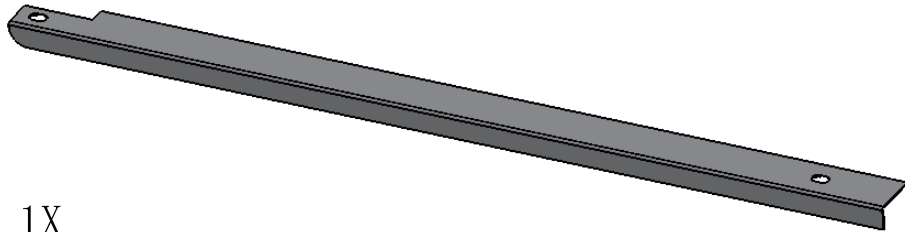
K 2X



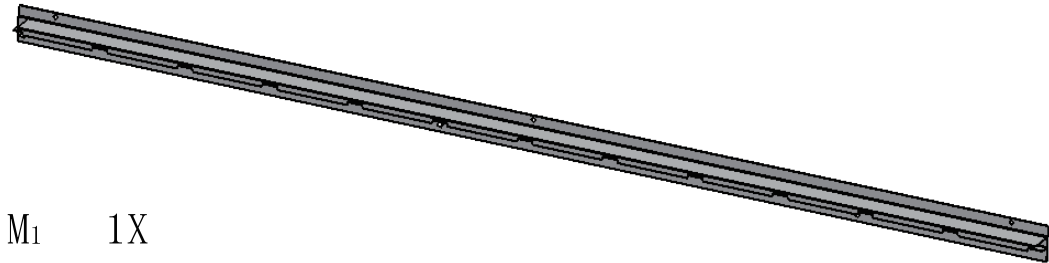
L<sub>1</sub> 1X



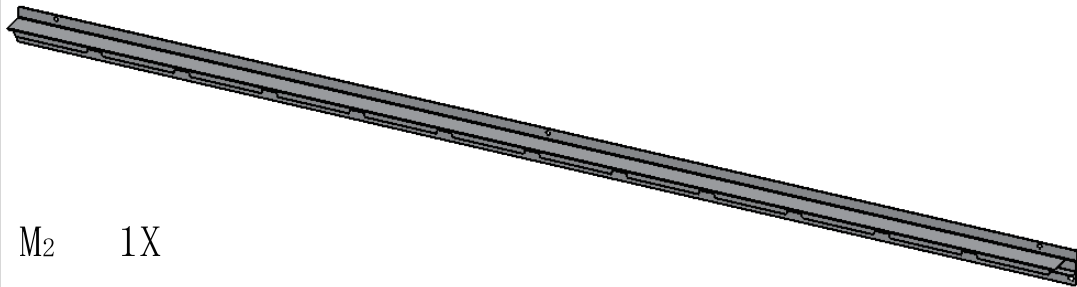
L<sub>2</sub> 1X



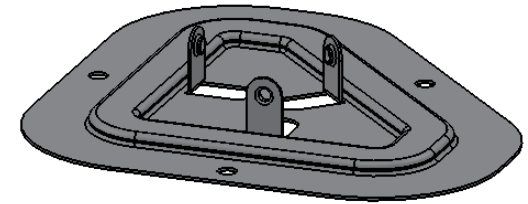
M<sub>1</sub> 1X



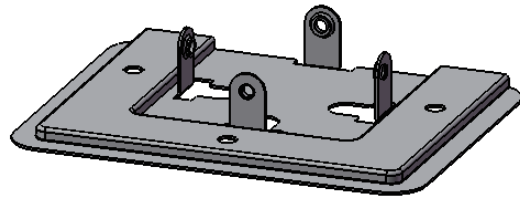
M<sub>2</sub> 1X



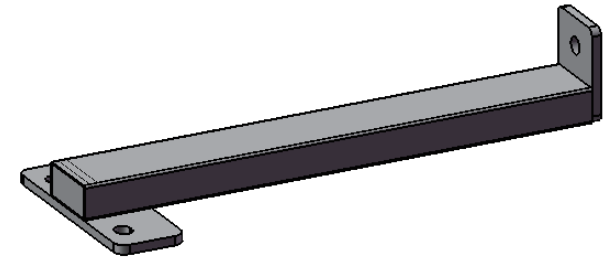
N<sub>1</sub> 2X



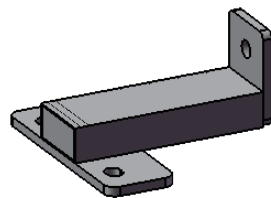
N<sub>2</sub> 2X



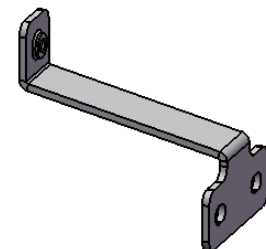
O<sub>1</sub> 2X



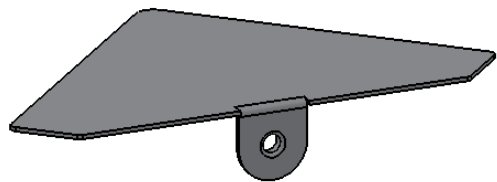
O<sub>2</sub> 2X



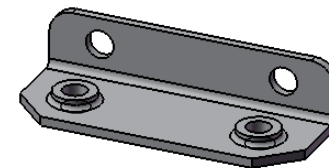
P 4X



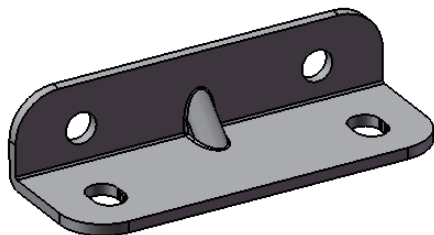
Q 2X



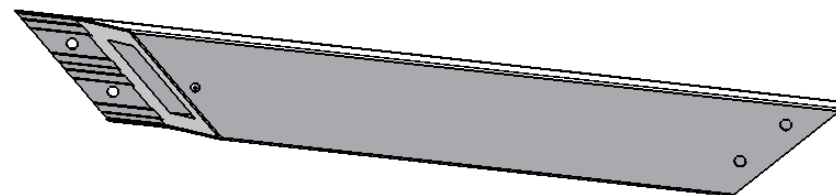
R<sub>1</sub> 4X



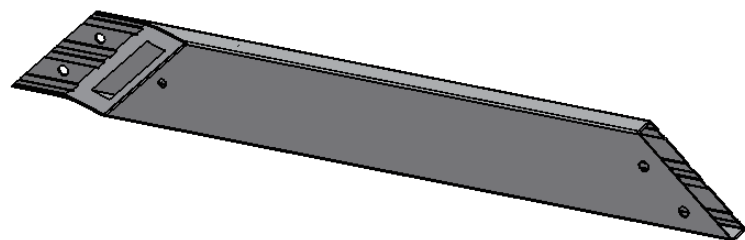
R<sub>2</sub> 6X



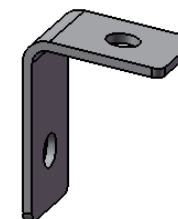
S<sub>1</sub> 2X



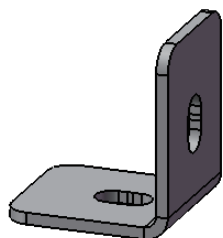
S<sub>2</sub> 2X



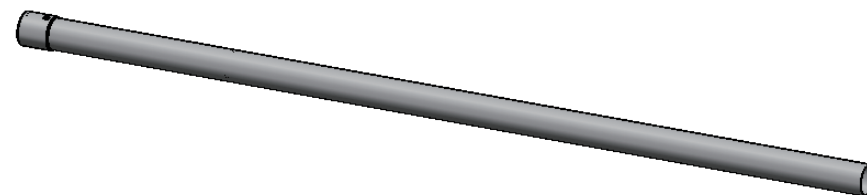
T<sub>1</sub> 6X



T<sub>2</sub> 4X



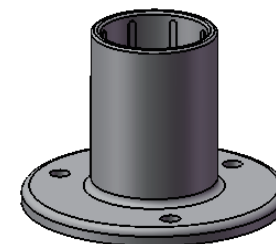
U<sub>1</sub> 2X



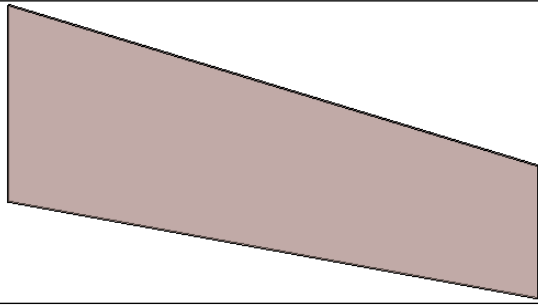
U<sub>2</sub> 2X



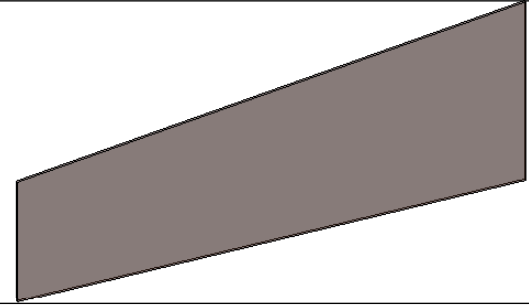
U<sub>3</sub> 2X



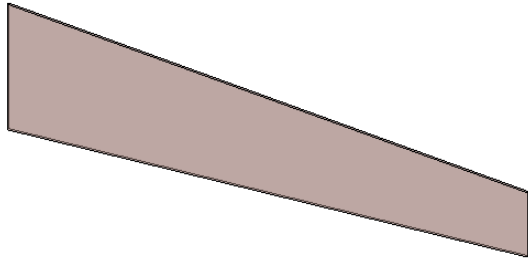
V<sub>1</sub> 1X



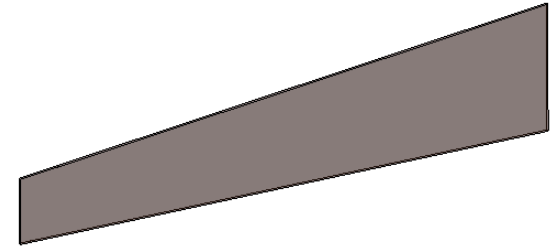
V<sub>2</sub> 1X



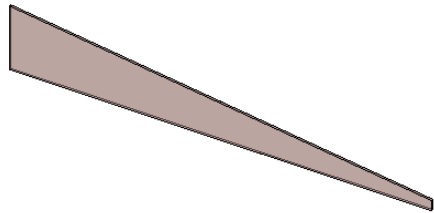
V<sub>3</sub> 1X



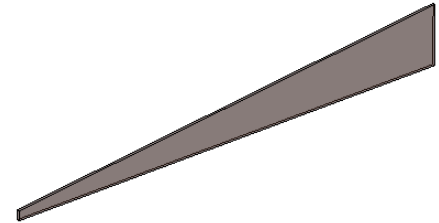
V<sub>4</sub> 1X



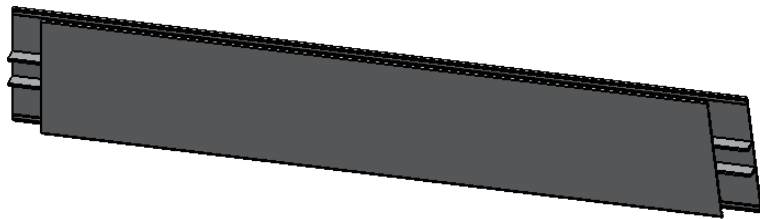
V<sub>5</sub> 1X



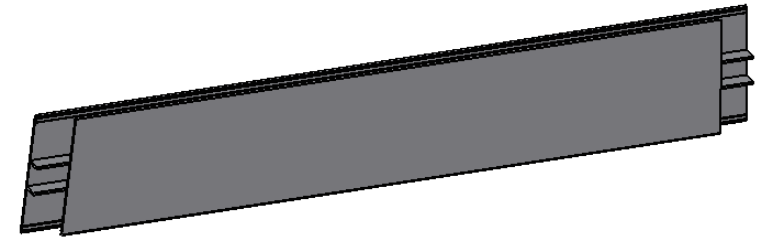
V<sub>6</sub> 1X



V<sub>7</sub> 1X



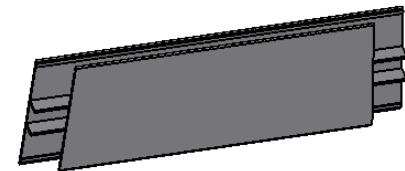
V<sub>8</sub> 1X



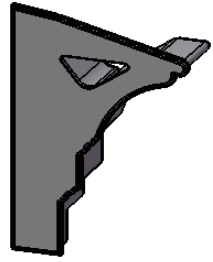
V<sub>9</sub> 1X



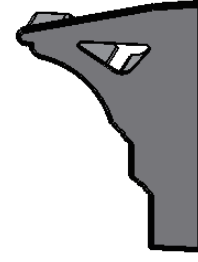
V<sub>10</sub> 1X



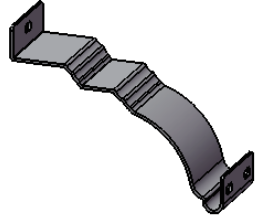
W<sub>1</sub> 1X



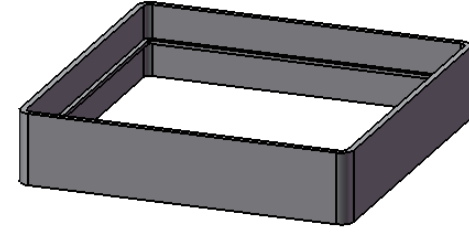
W<sub>2</sub> 1X



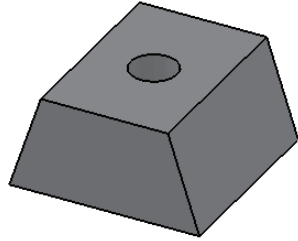
W<sub>3</sub> 1X



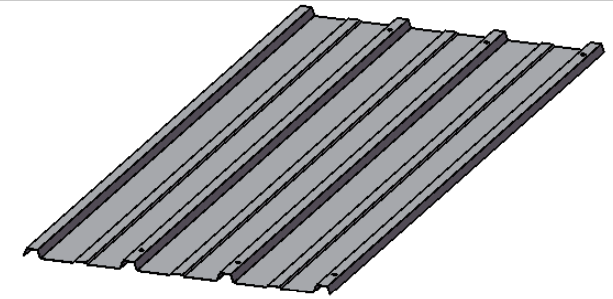
W<sub>4</sub> 2X



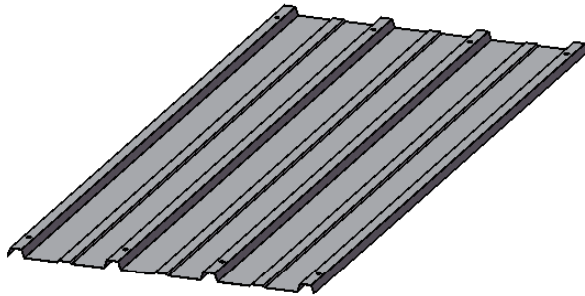
X 92X



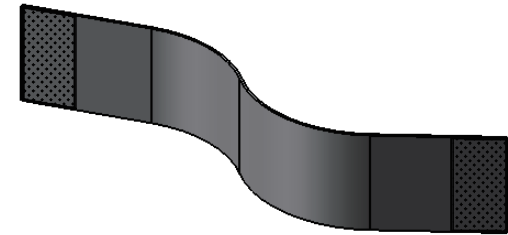
Y<sub>1</sub> 6X



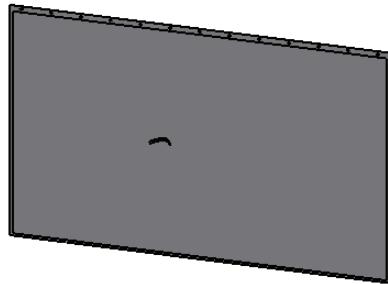
Y<sub>2</sub> 18X



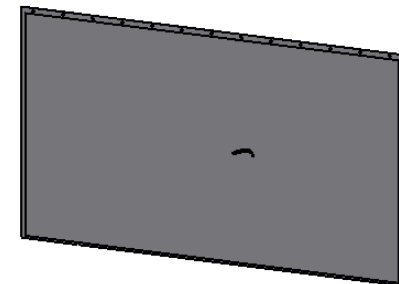
Z<sub>1</sub> 4X



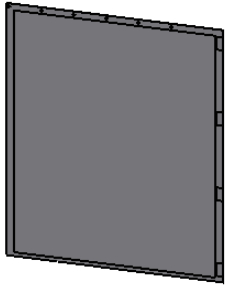
Z<sub>2</sub> 1X



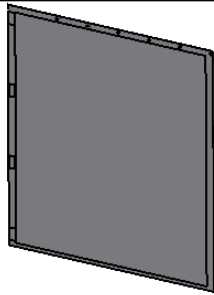
Z<sub>3</sub> 1X



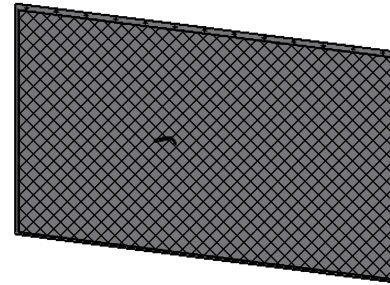
Z<sub>4</sub> 1X



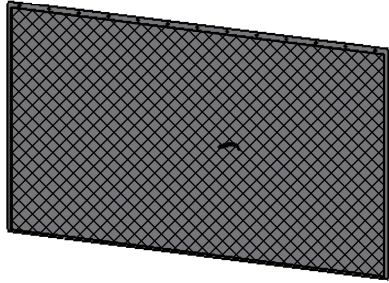
Z<sub>5</sub> 1X



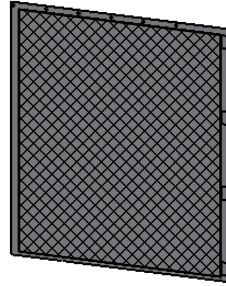
Z<sub>6</sub> 1X



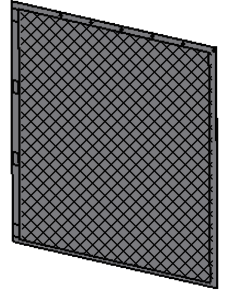
Z<sub>7</sub> 1X



Z<sub>8</sub> 1X

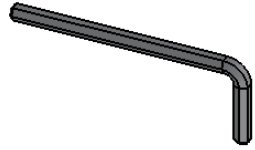


Z<sub>9</sub> 1X



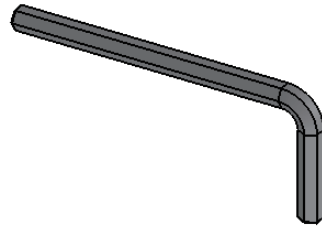
<p>1# 8</p>  <p>ST4. 8*13</p>	<p>2# 25</p>  <p>M5*12</p>	<p>3# 8</p>  <p>M6*10</p>
<p>4# 262</p>  <p>M6*16</p>	<p>5# 92</p>  <p>M6*28</p>	<p>6# 8</p>  <p>M6*40</p>
<p>7# 2</p>  <p>M6*12 (L20)</p>	<p>8# 6</p>  <p>M6*15 (L30)</p>	<p>9# 10</p>  <p>ST6*70</p>
<p>10# 10</p> 	<p>11# 92</p>  <p>M6</p>	<p>12# 2</p>  <p>M8*60</p>
<p>13# 2</p>  <p>M8</p>	<p>14# 2</p>  <p>M8</p>	<p>15# 1</p> 





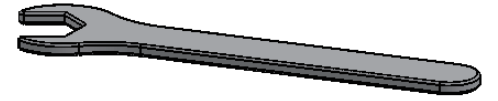
16# 1

S4

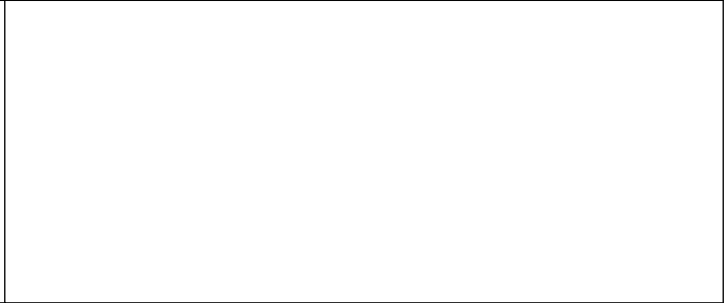
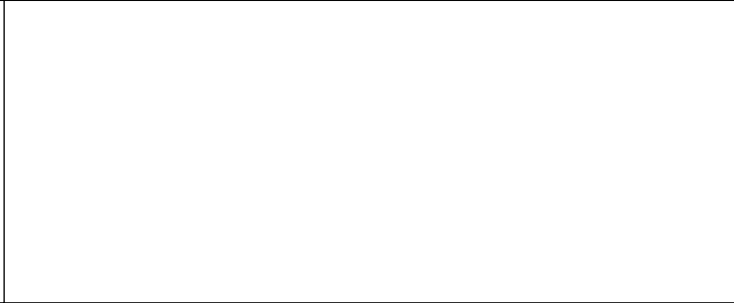
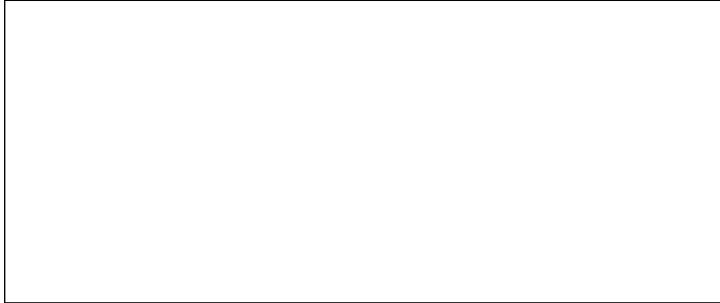
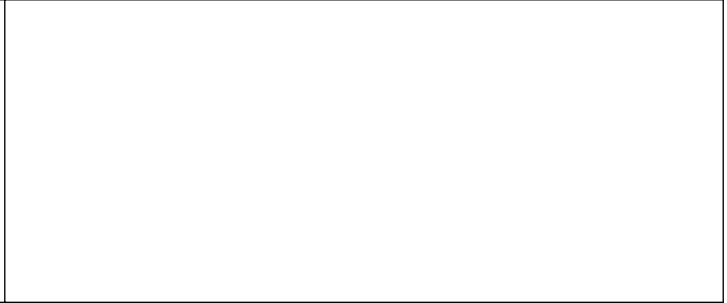
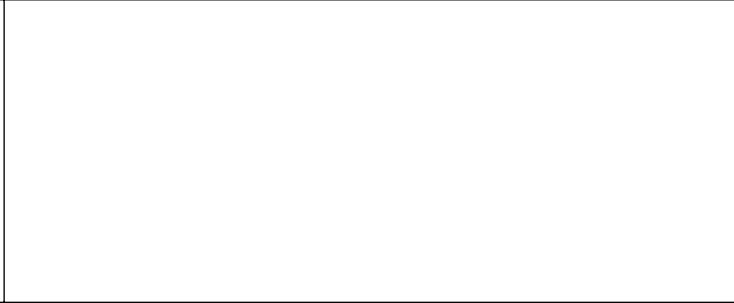
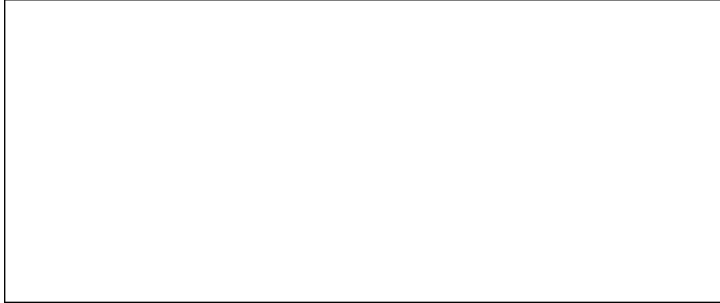


17# 1

S6



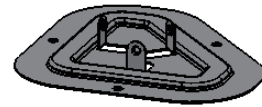
18# 1



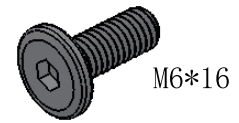


A1 1X

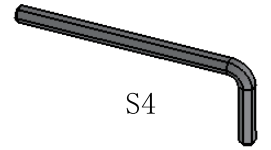
A2 1X



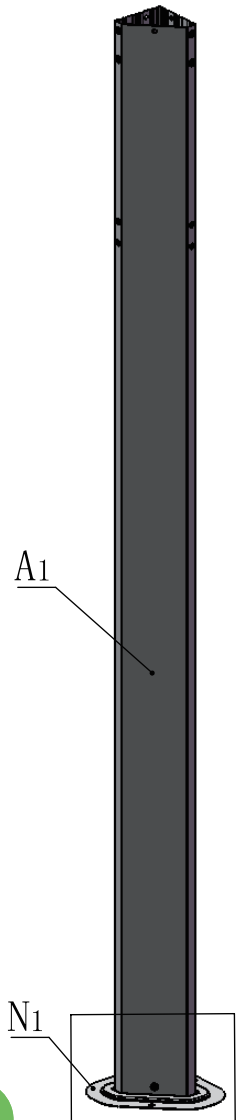
N1 2X



4# 6X

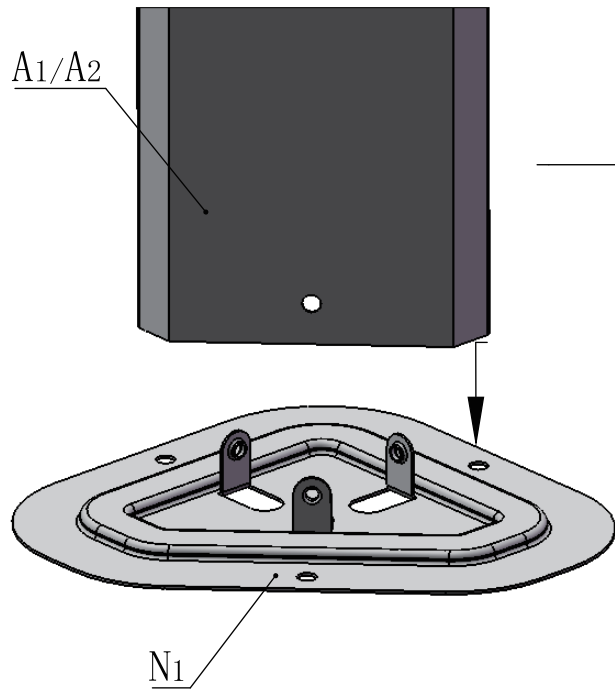


16# 1X



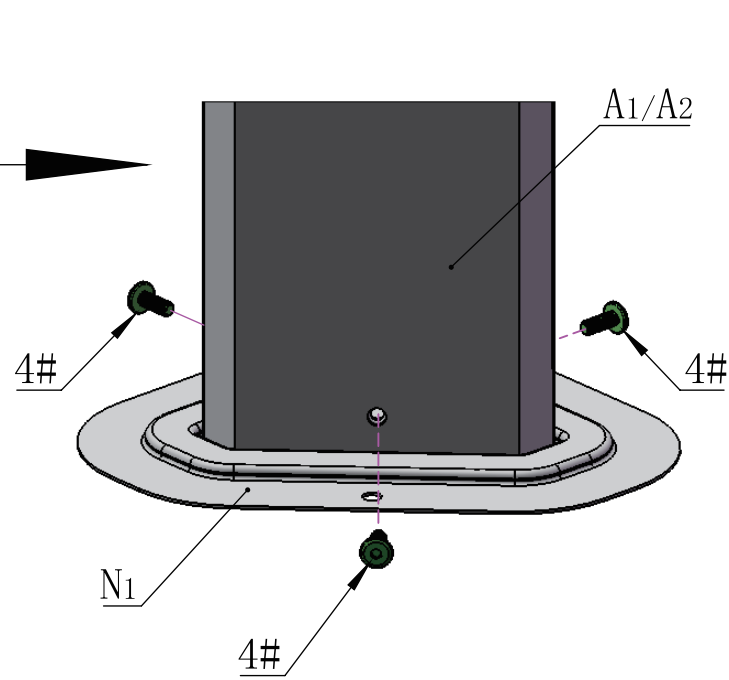
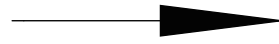
A1

N1



A1/A2

N1



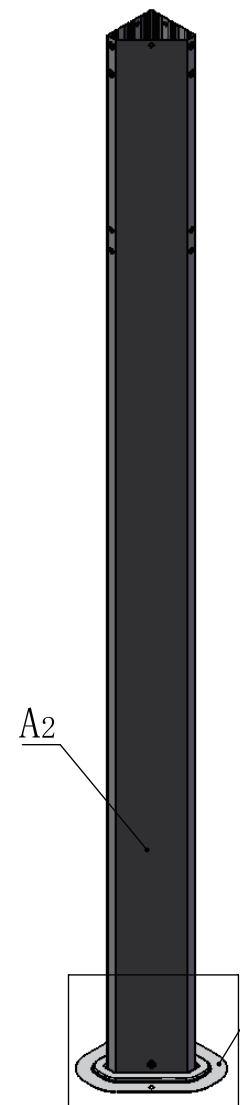
4#

N1

4#

A1/A2

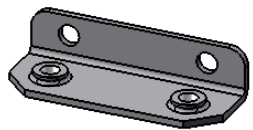
4#



A2

N1

1

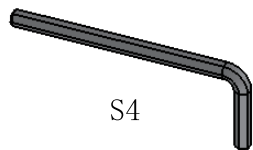


R<sub>1</sub> 4X



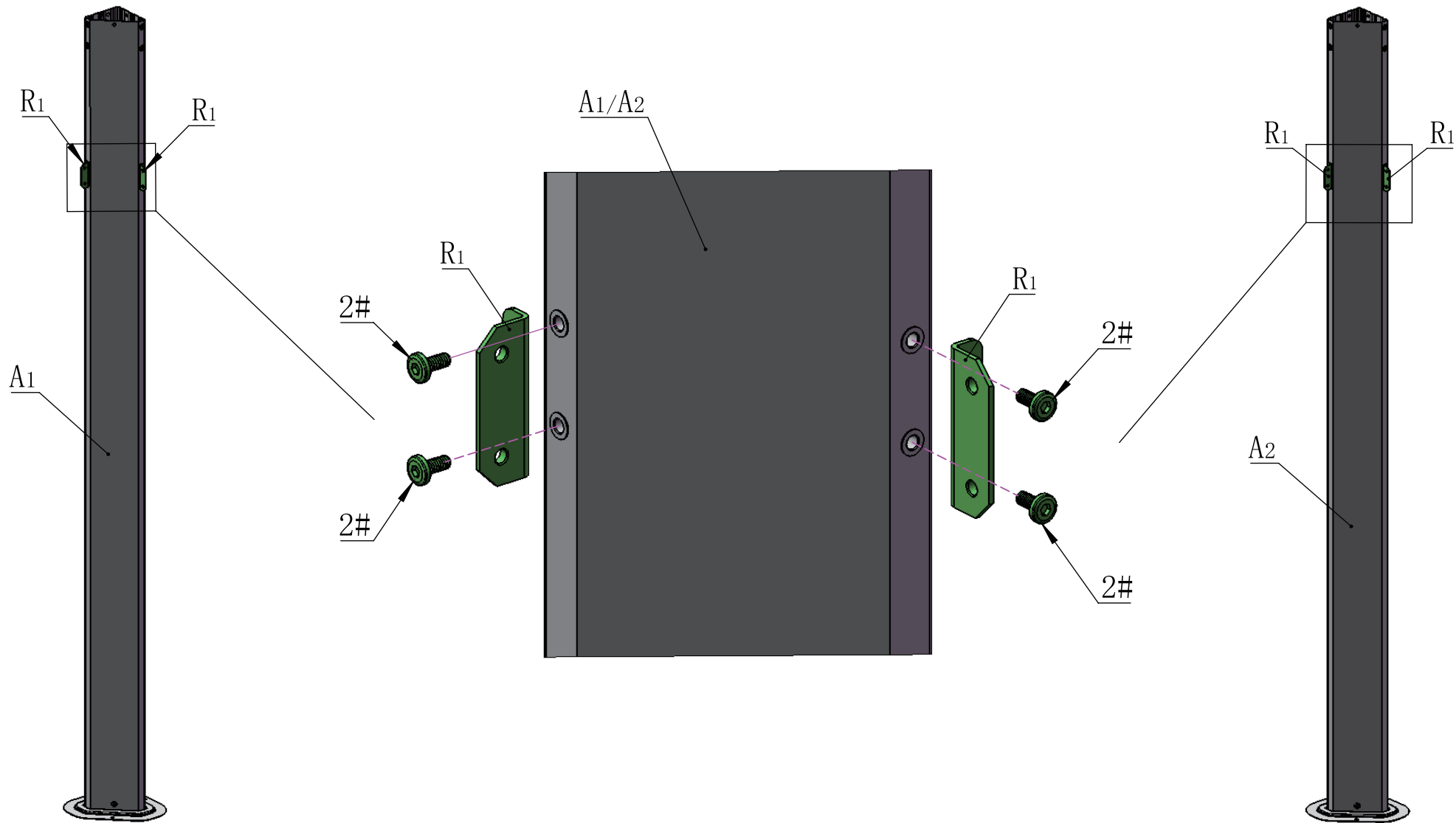
M5\*12

2# 8X



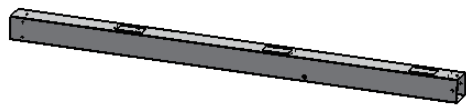
S4

16# 1X

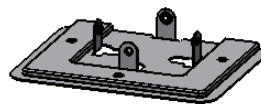




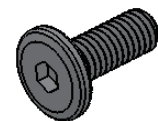
A3 1X



A4 1X

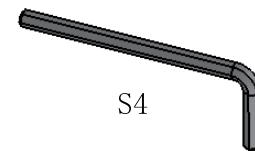


N2 2X



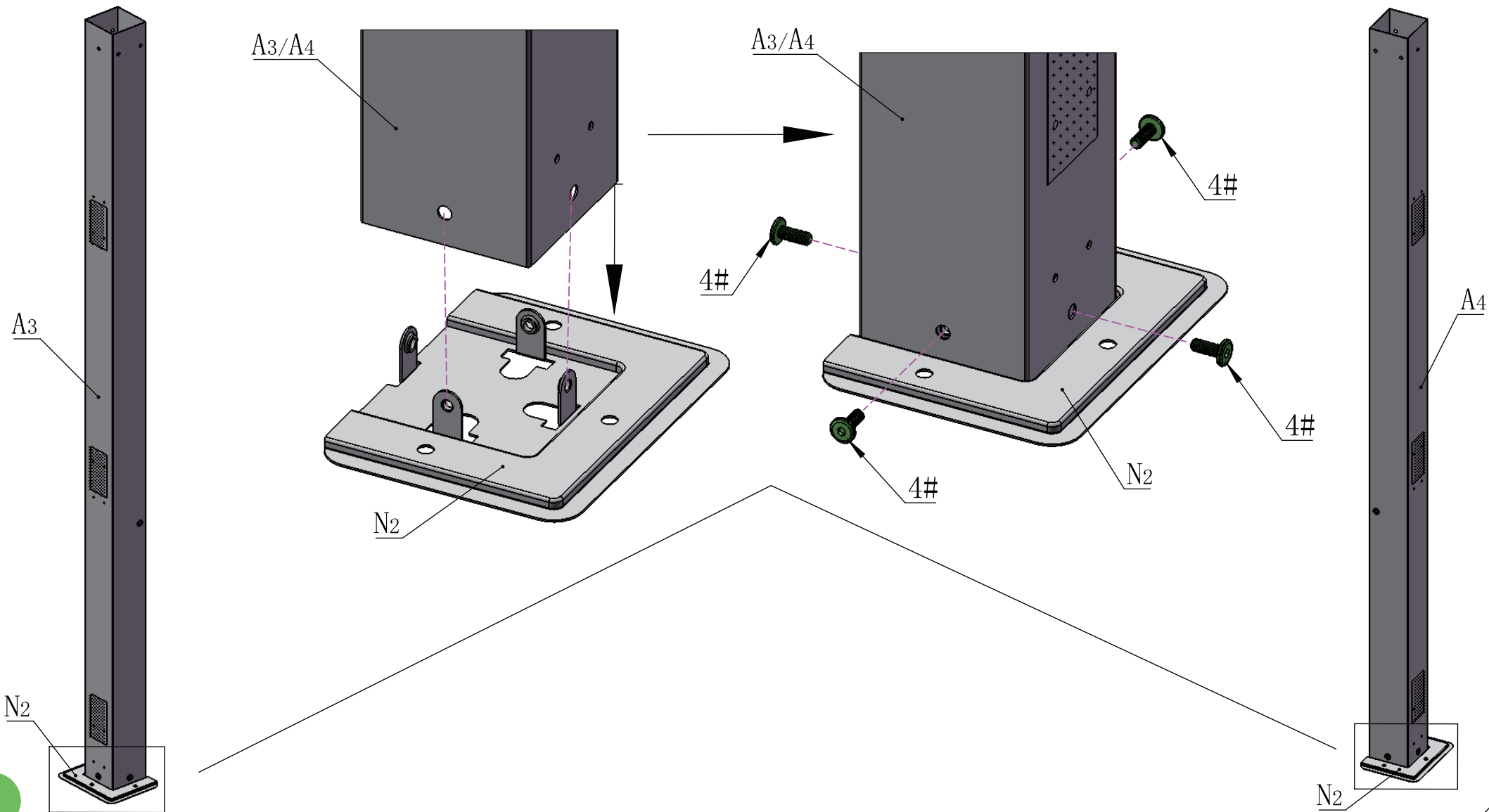
M6\*16

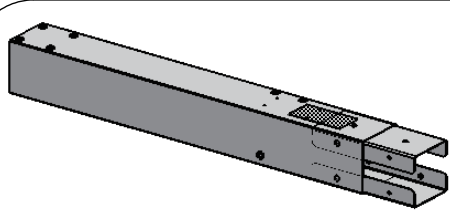
4# 8X



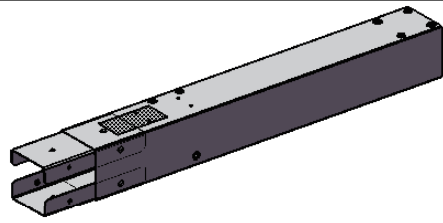
S4

16# 1X

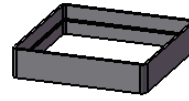




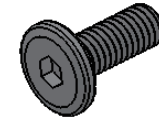
A5 1X



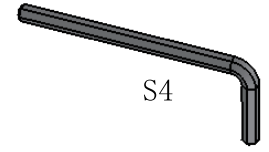
A6 1X



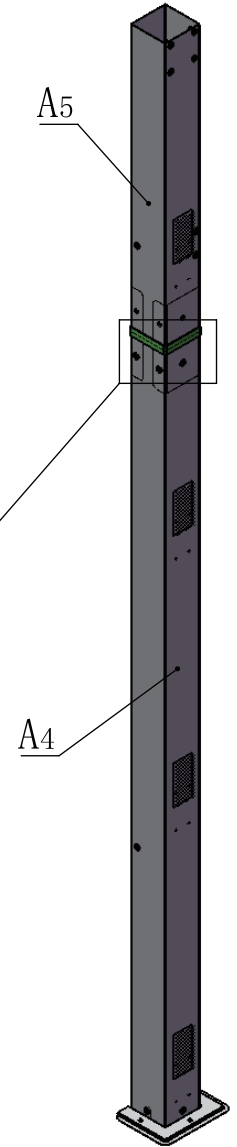
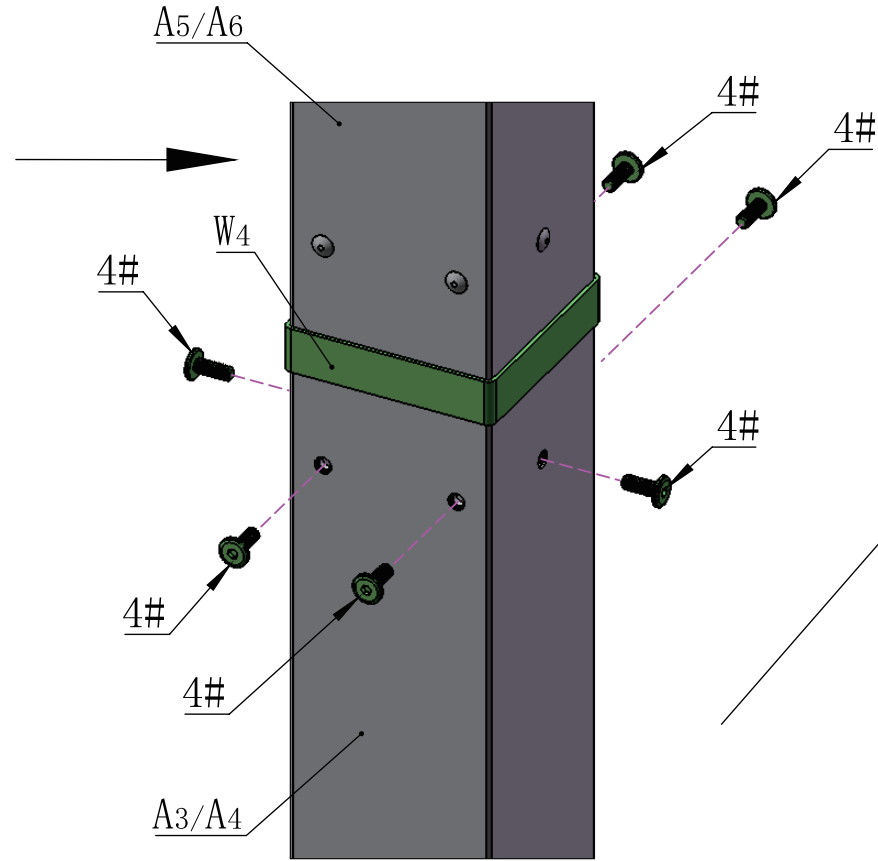
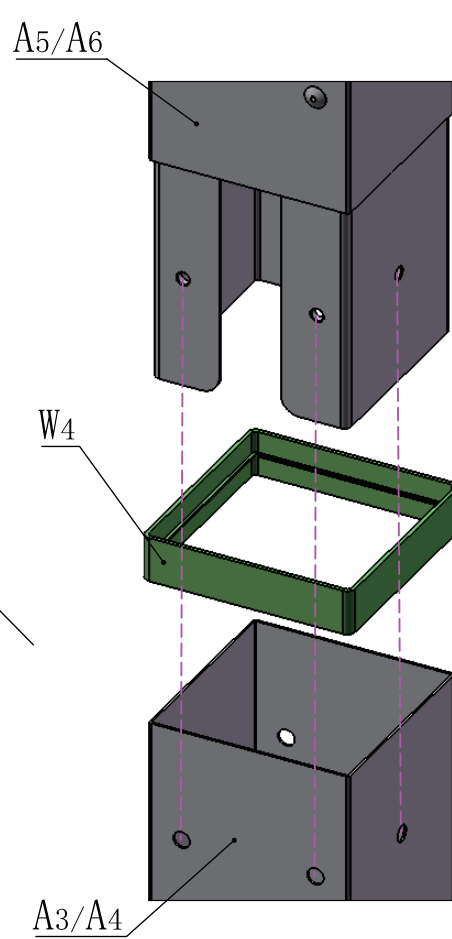
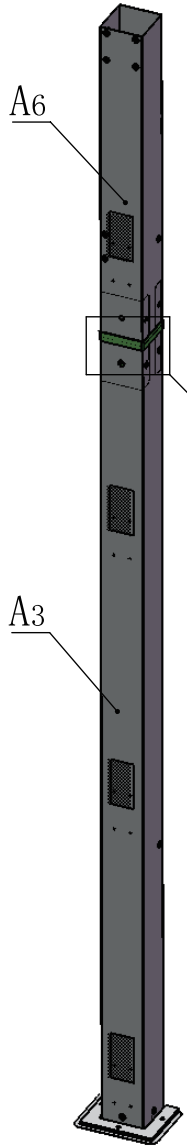
W4 2X



M6\*16  
4# 12X

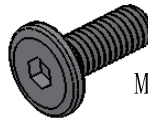


S4  
16# 1X

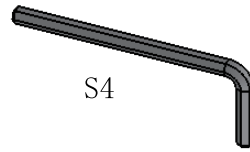




T2 4X

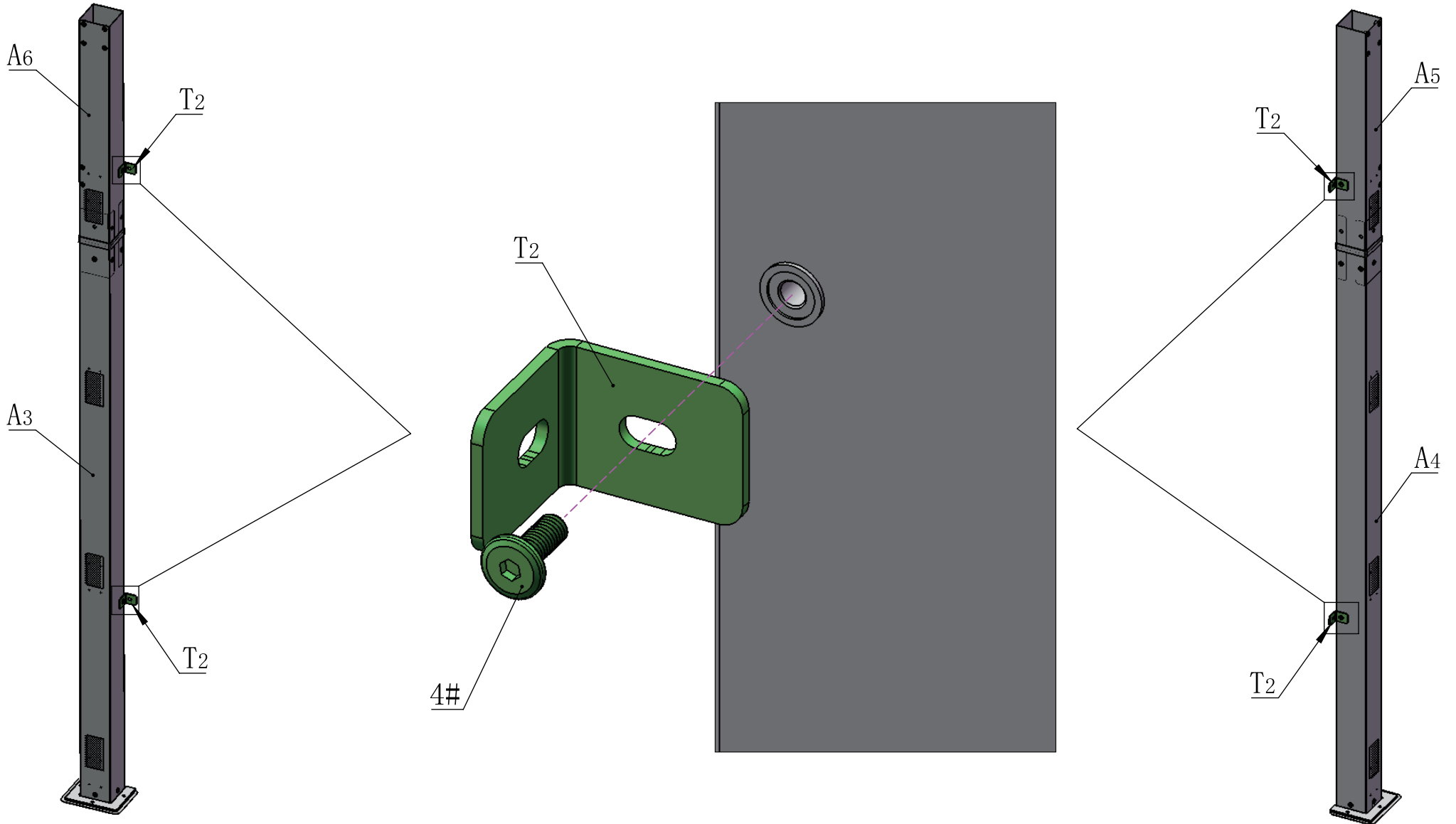


4# 4X

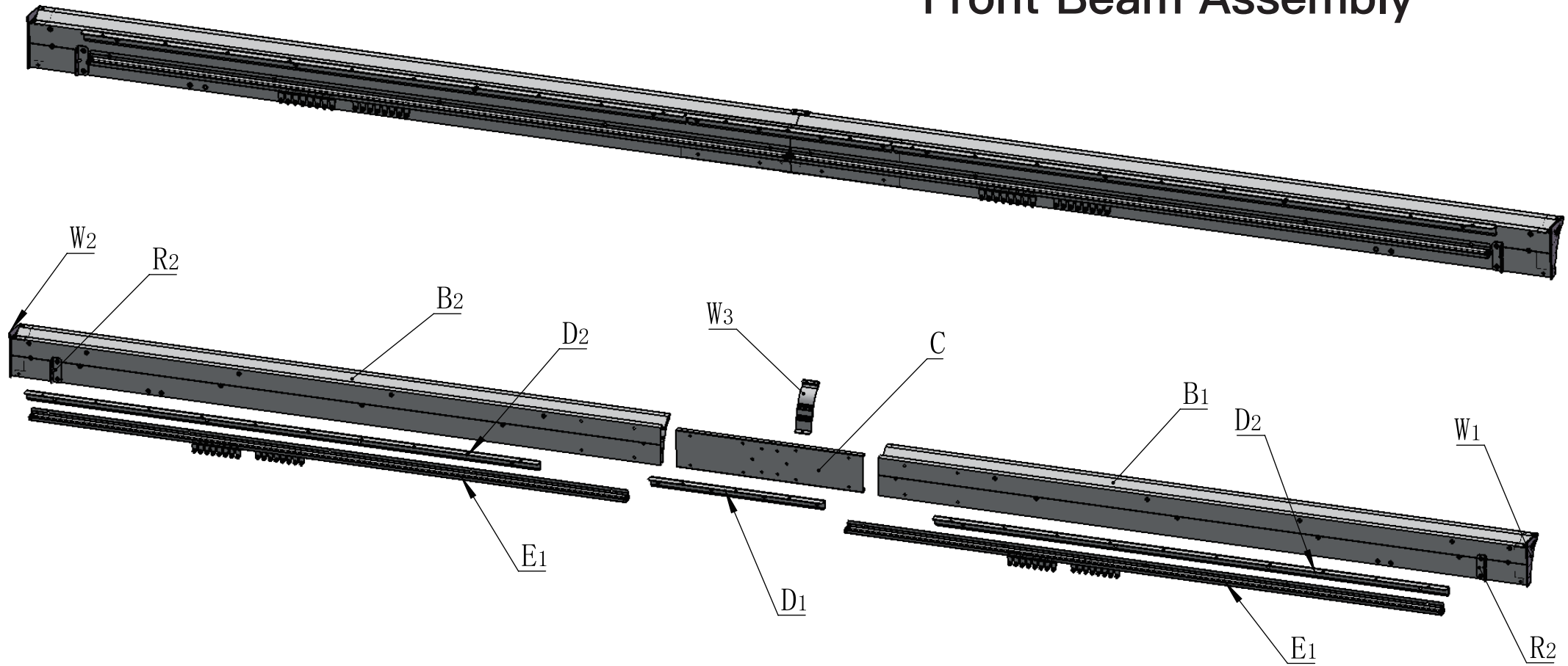


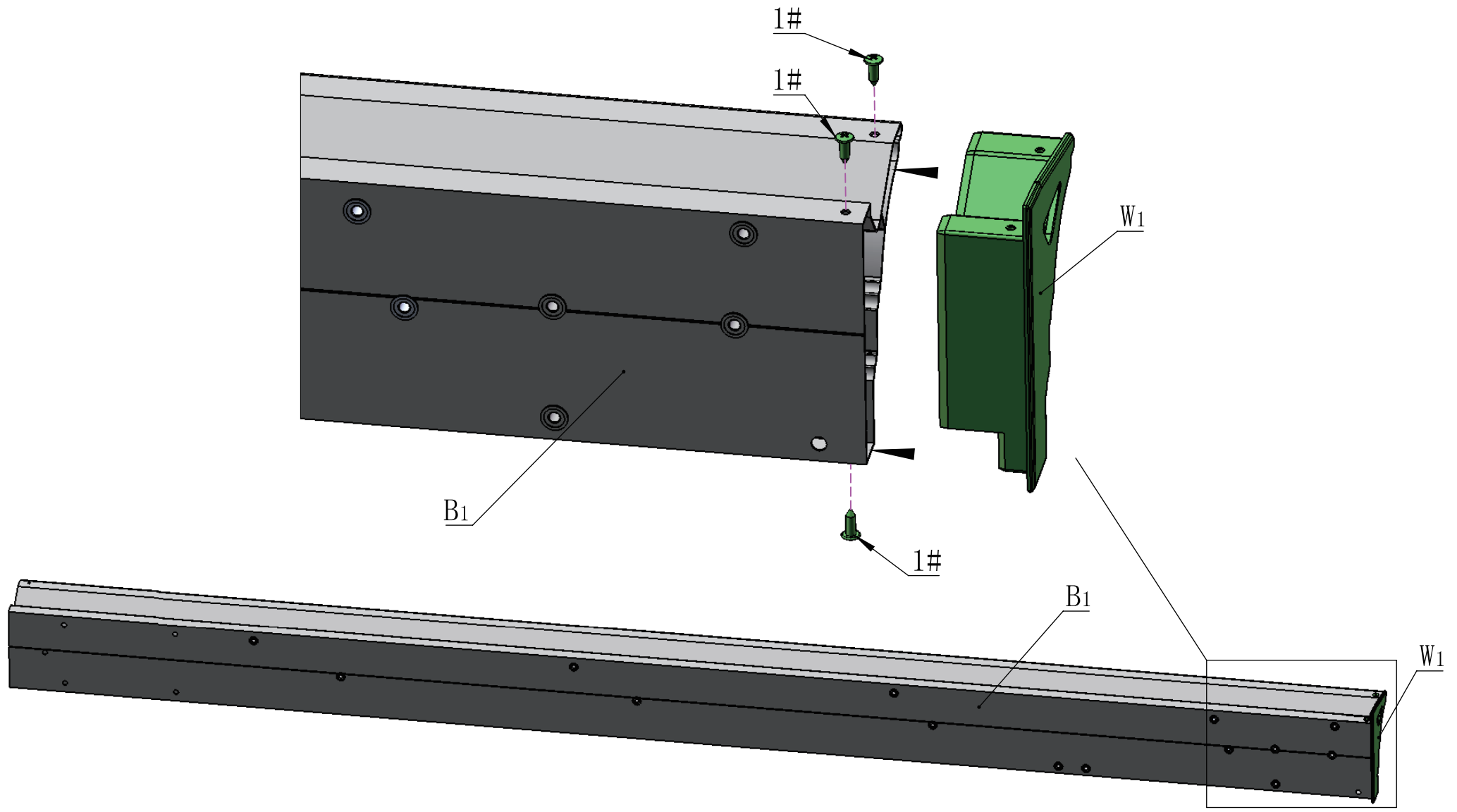
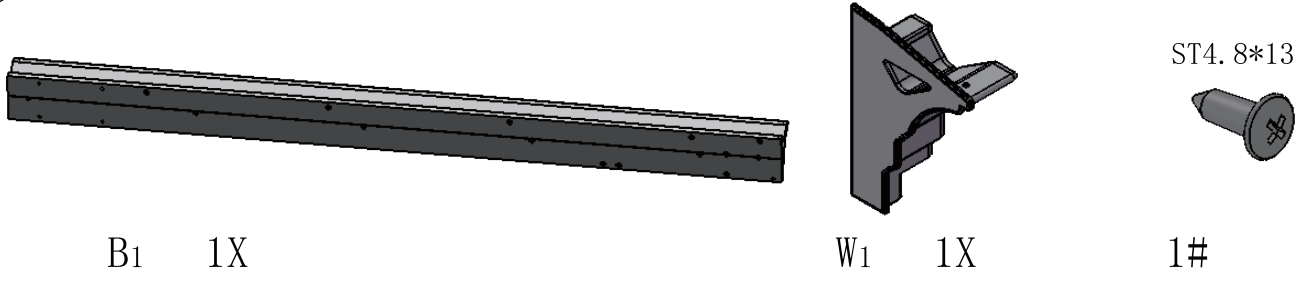
16# 1X

The bracket #2 is used to fix the post against the wall.  
If you don't need that, please retain for future use.  
If you don't need this, please skip this step.

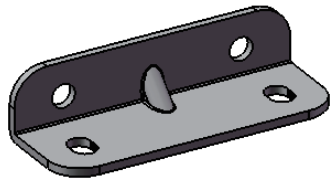


# Front Beam Assembly

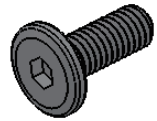






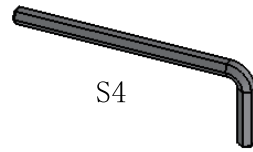


R2 1X



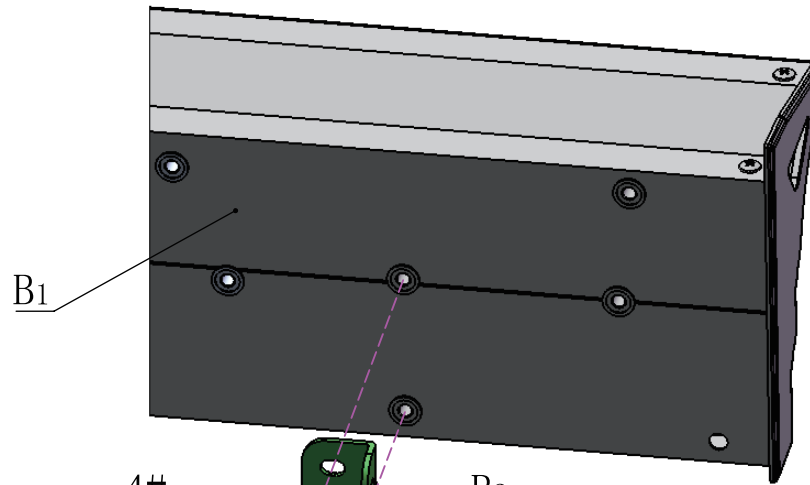
M6\*16

4# 2X



S4

16# 1X



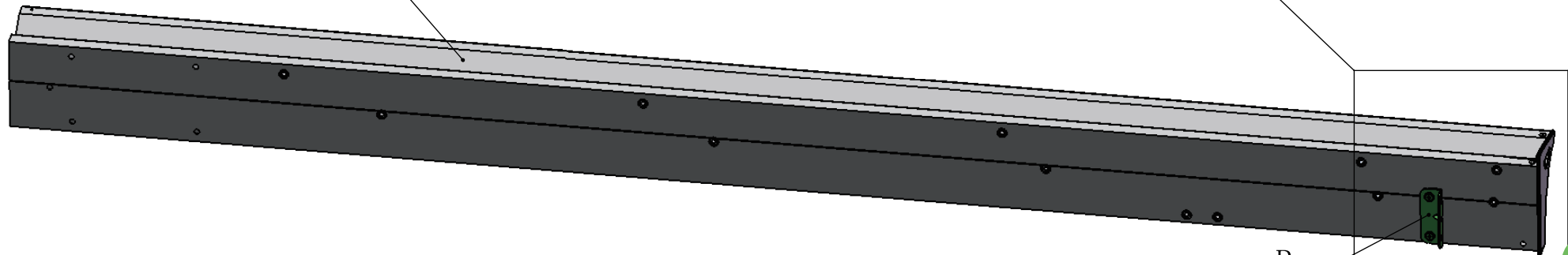
B1

4#

R2

4#

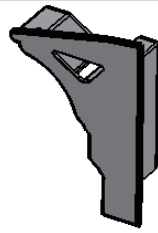
B1



R2

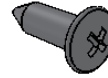


B2 1X

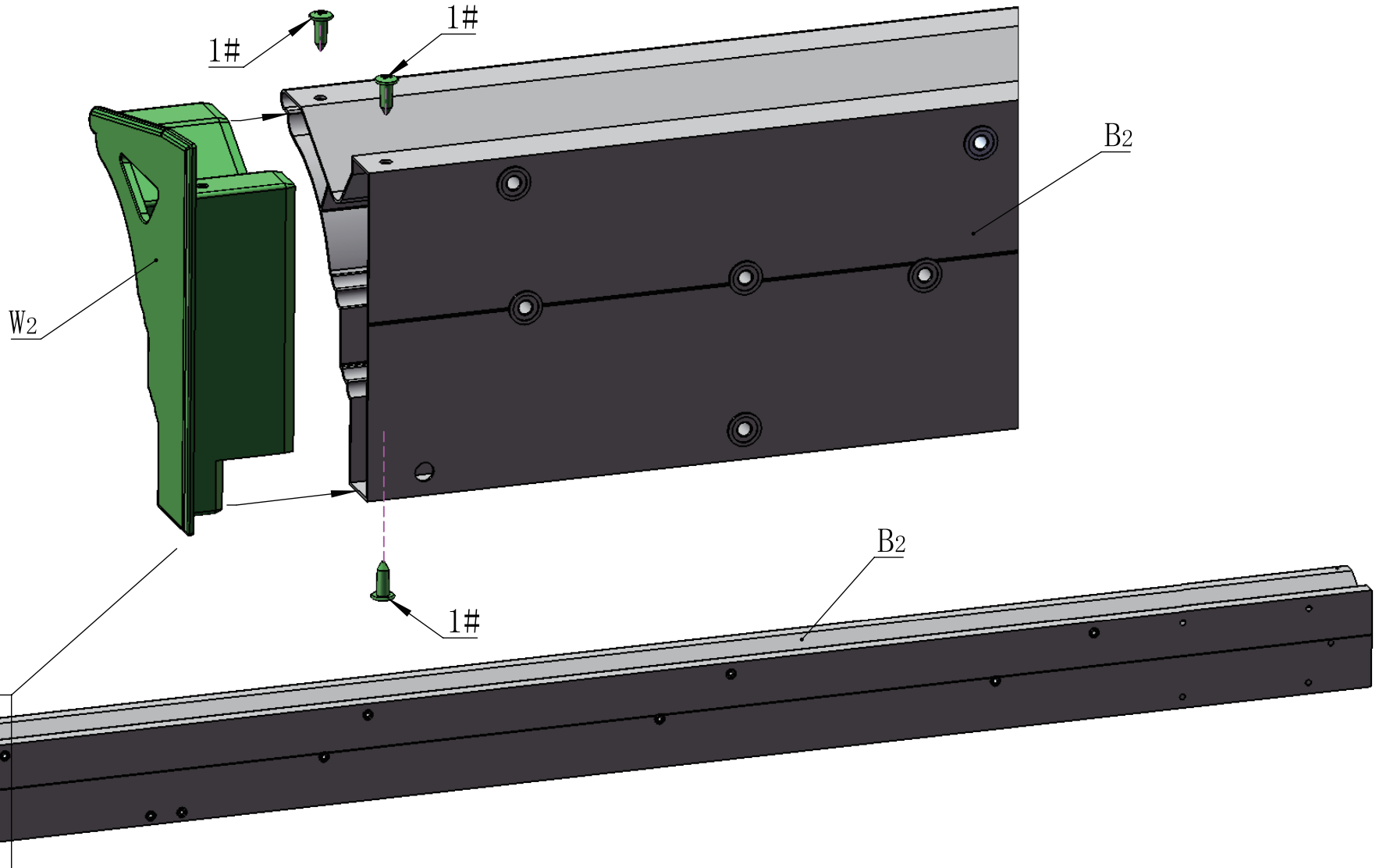


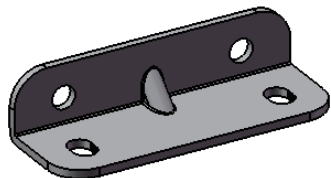
W2 1X

ST4. 8\*13

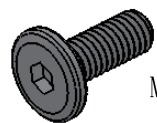


1# 3X



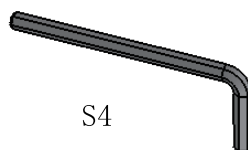


R2 1X



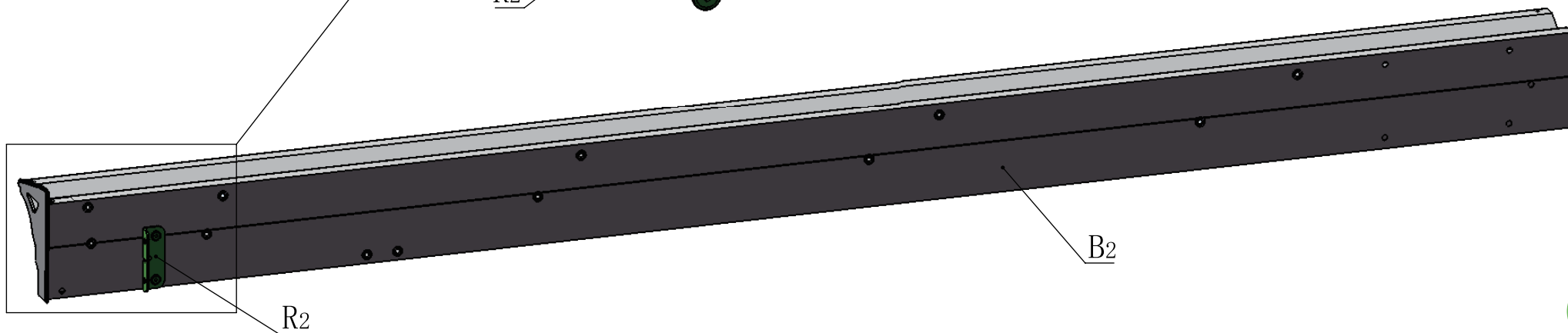
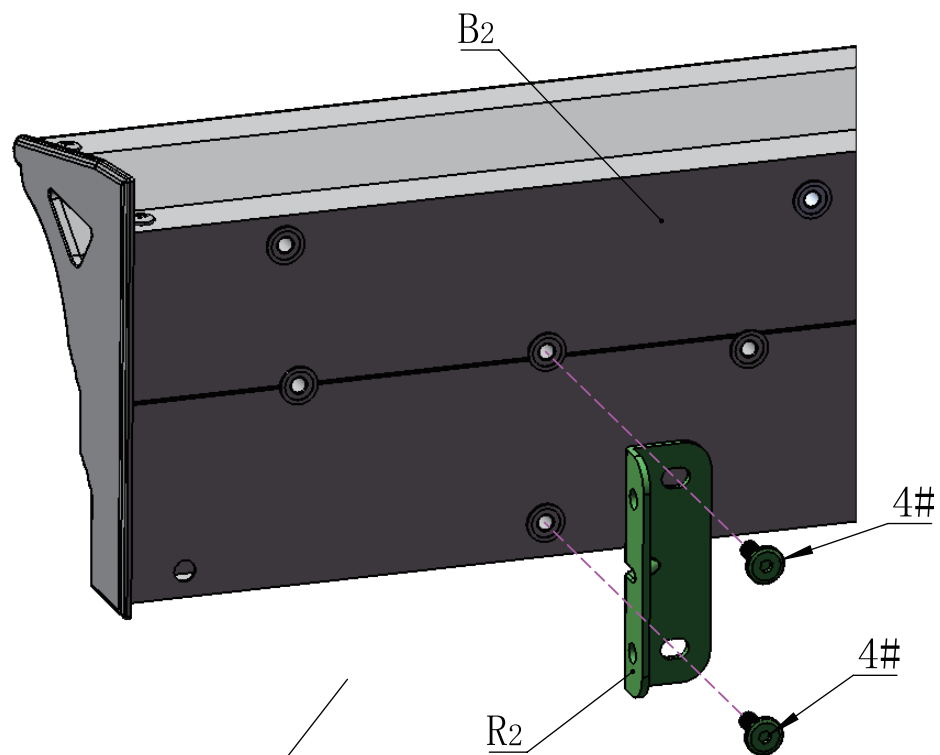
M6\*16

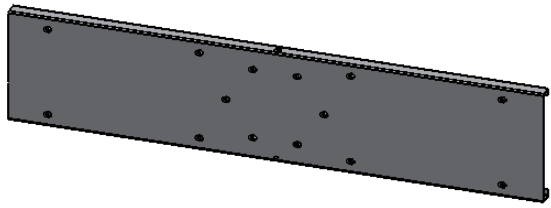
4# 2X



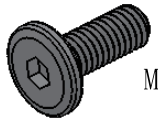
S4

16# 1X



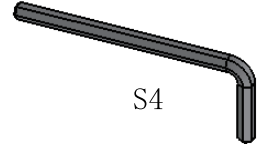


C 1X



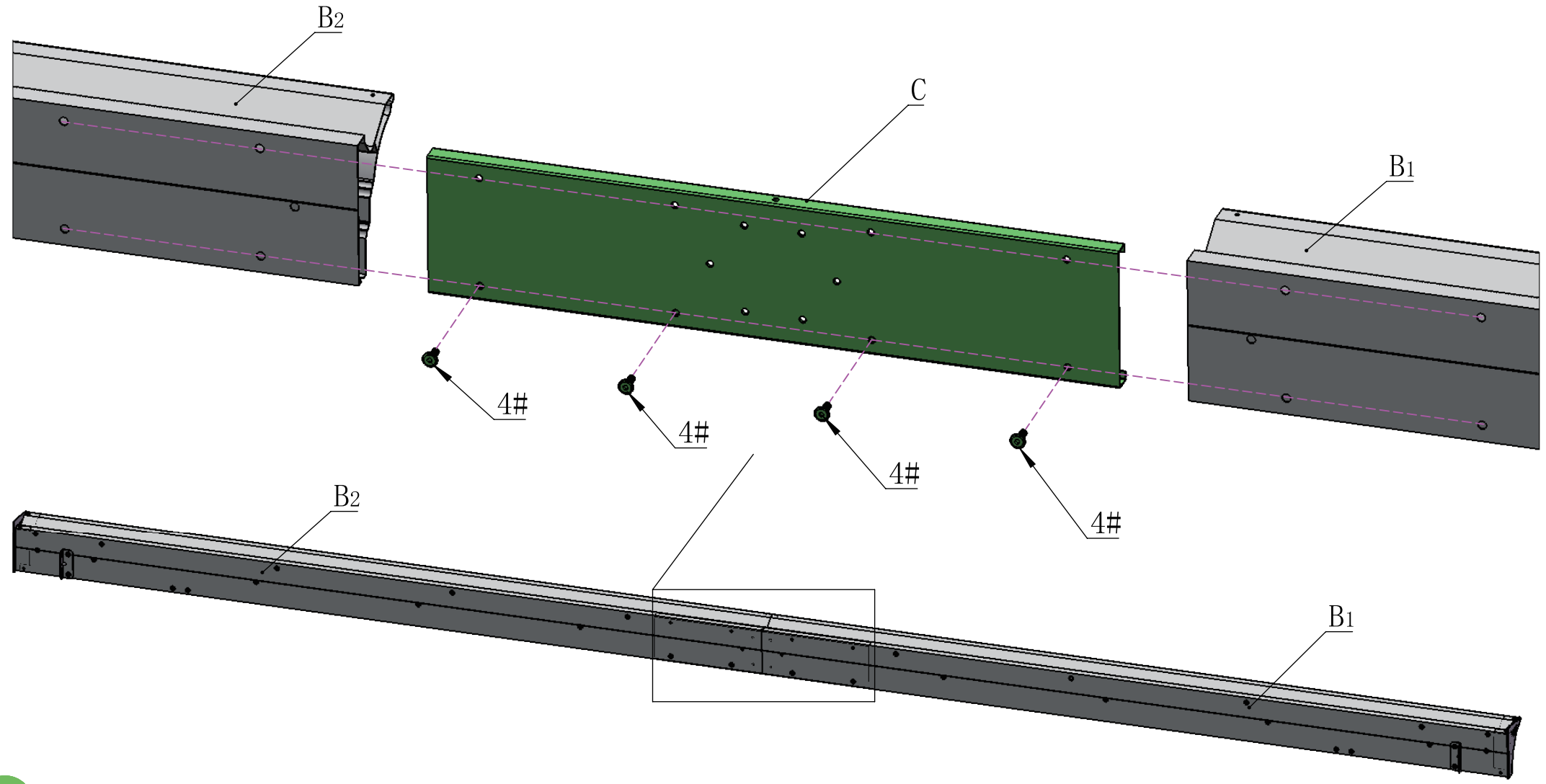
4# 4X

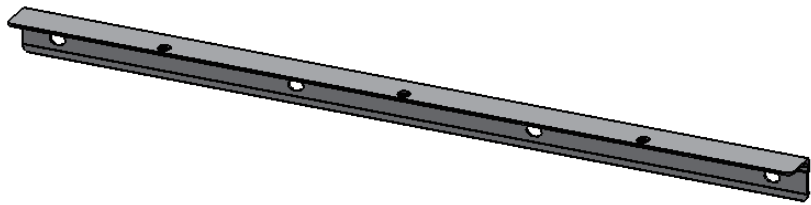
M6\*16



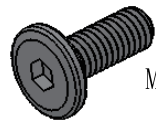
16# 1X

S4



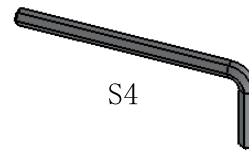


D1 1X



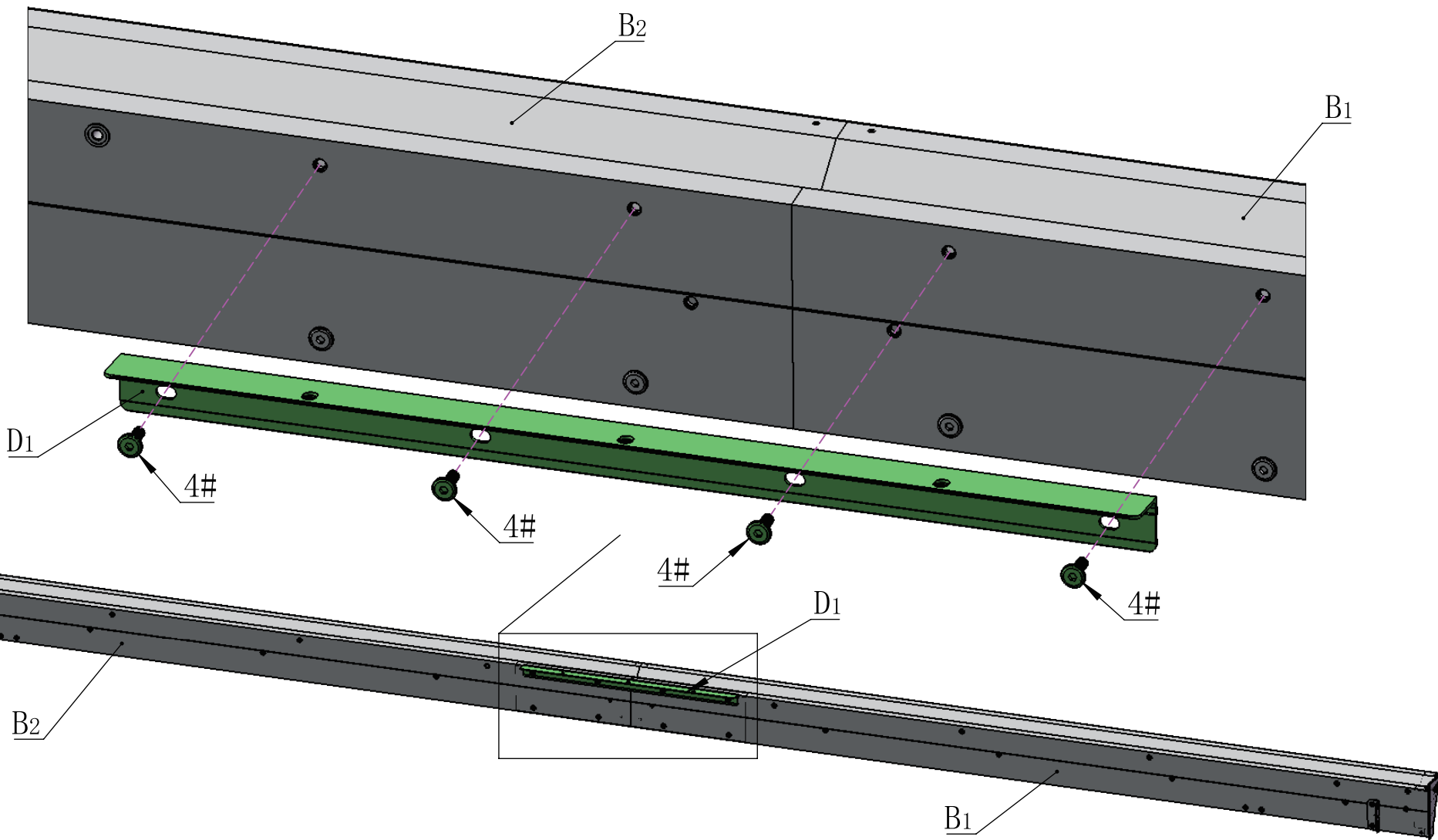
M6\*16

4# 4X



S4

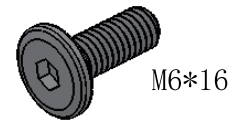
16# 1X





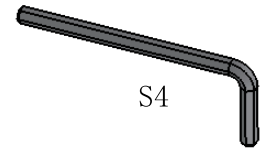


E1 2X



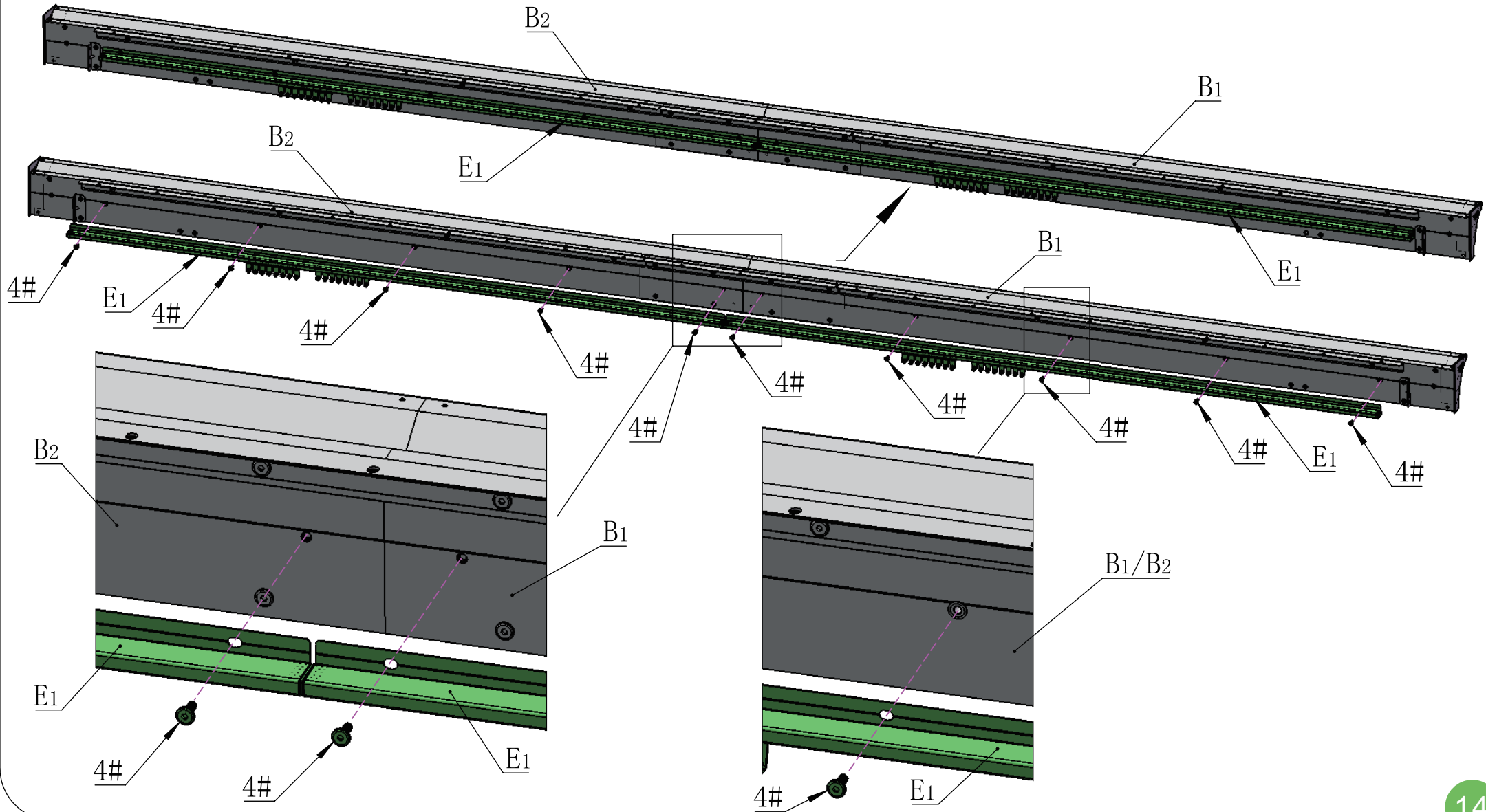
4#

10X



16#

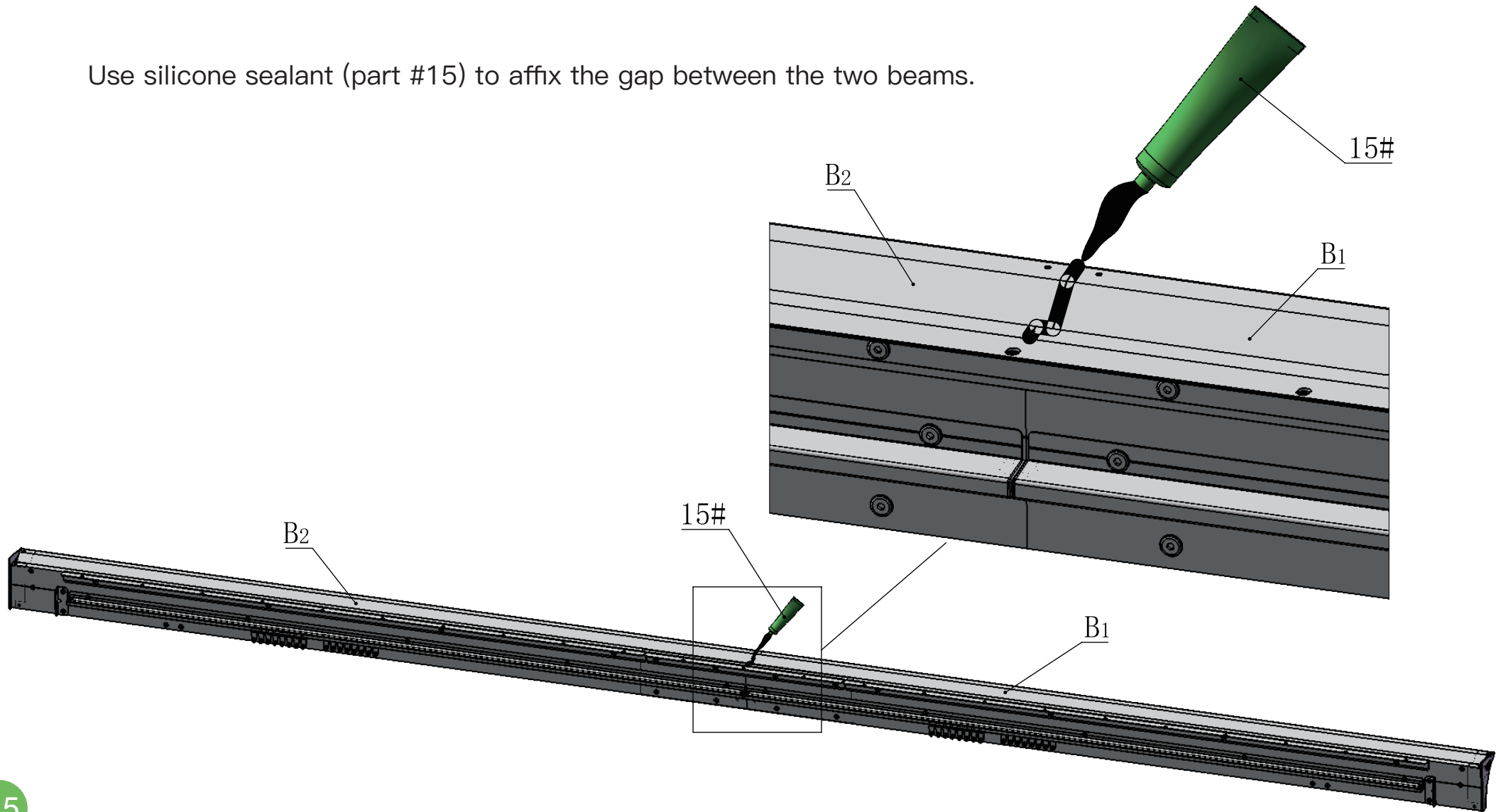
1X



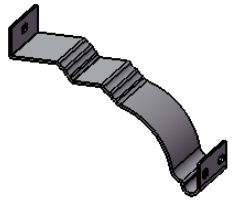


15# 1X

Use silicone sealant (part #15) to affix the gap between the two beams.

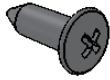






W3 1X

ST4.8\*13

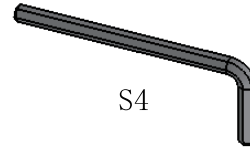


1# 2X



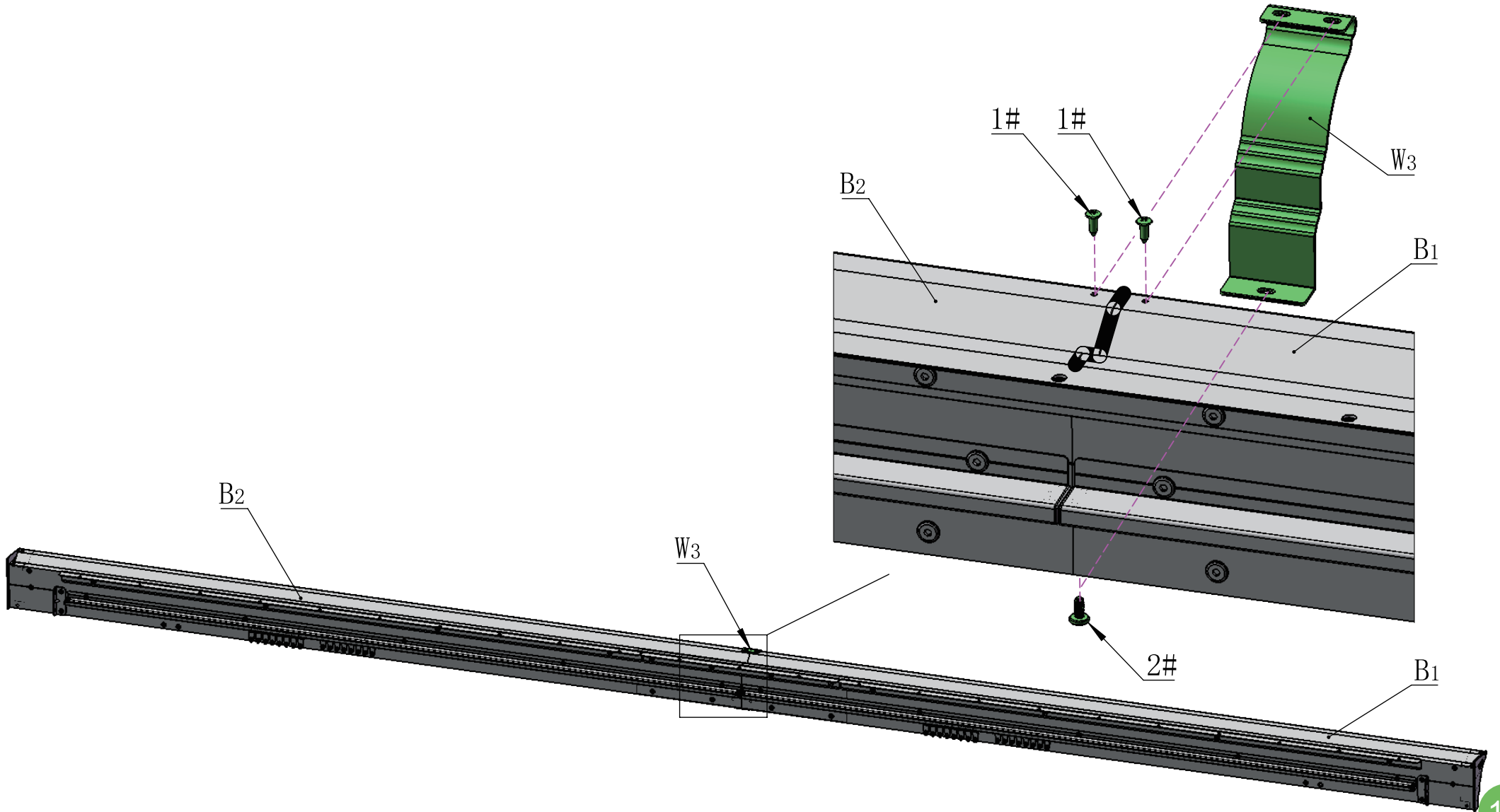
M5\*12

2# 1X

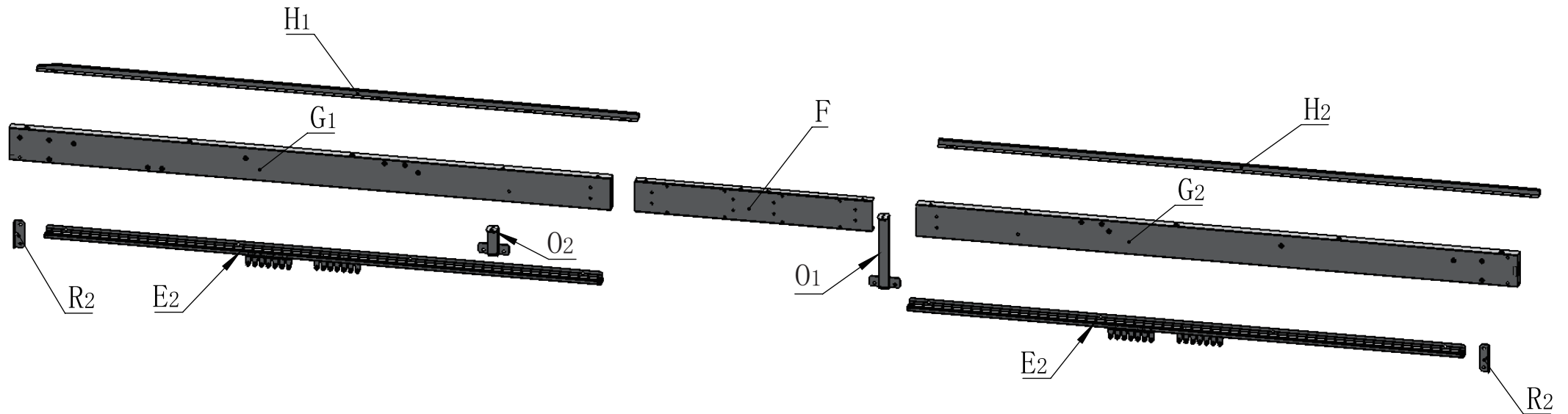
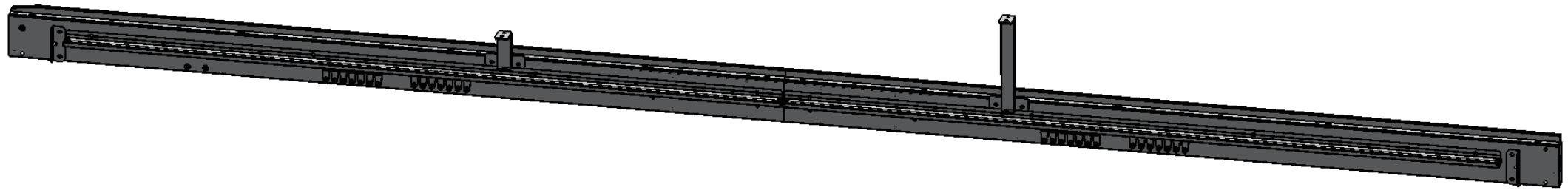


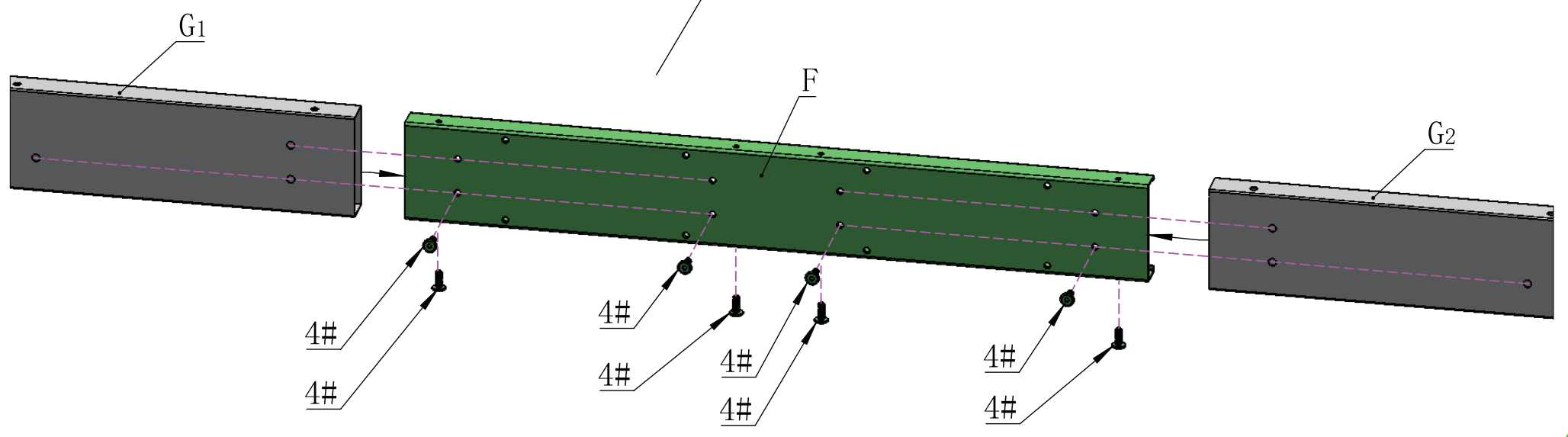
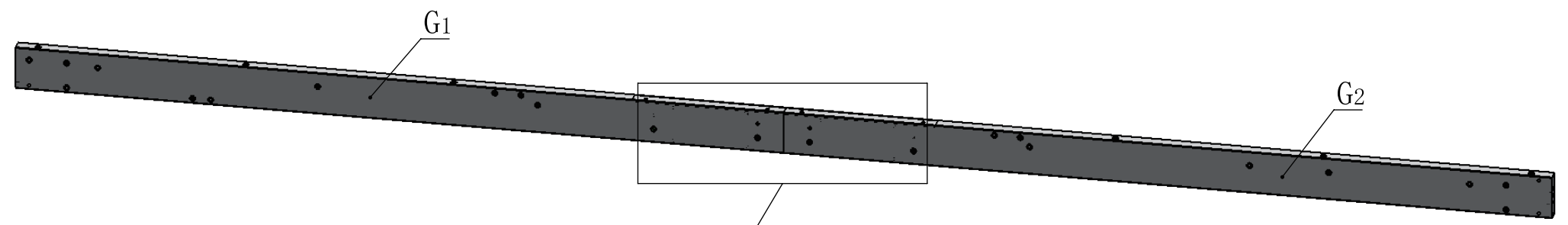
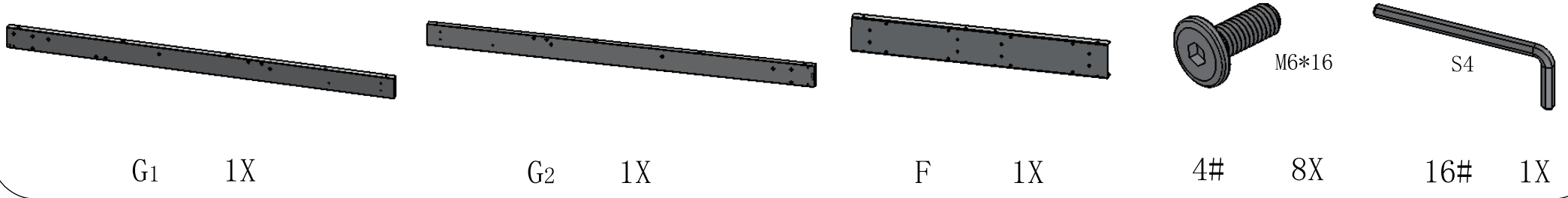
S4

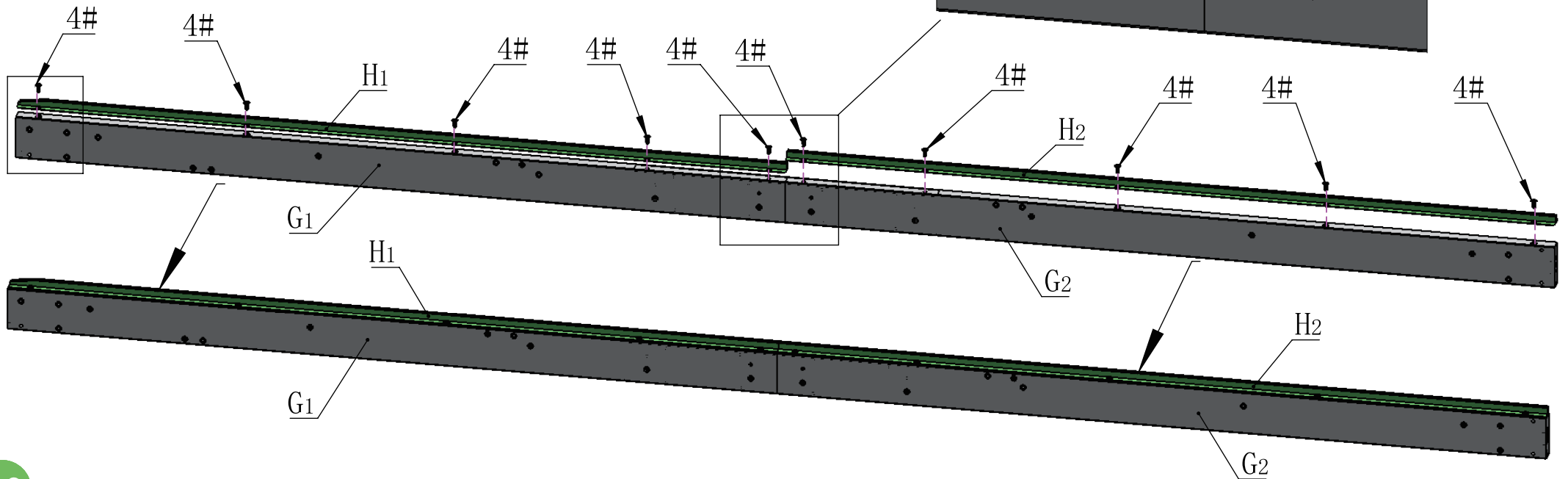
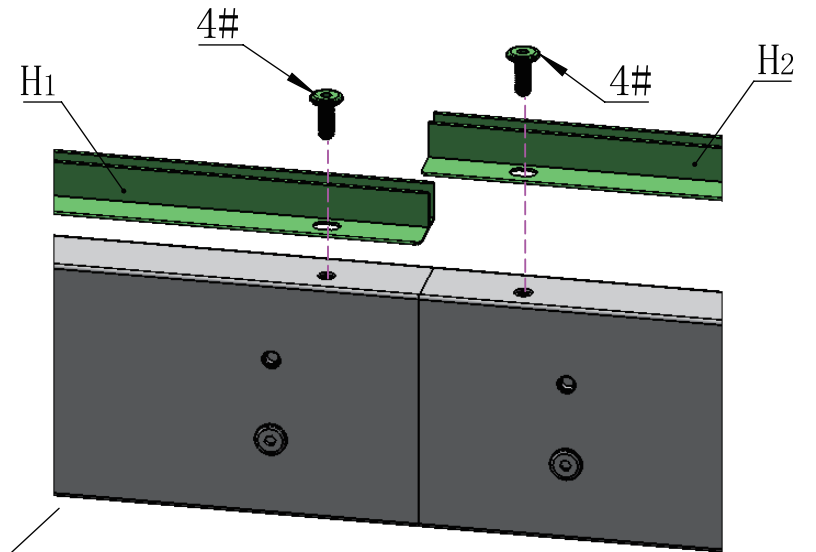
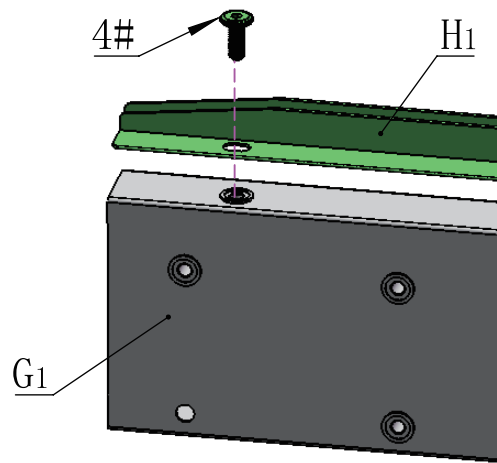
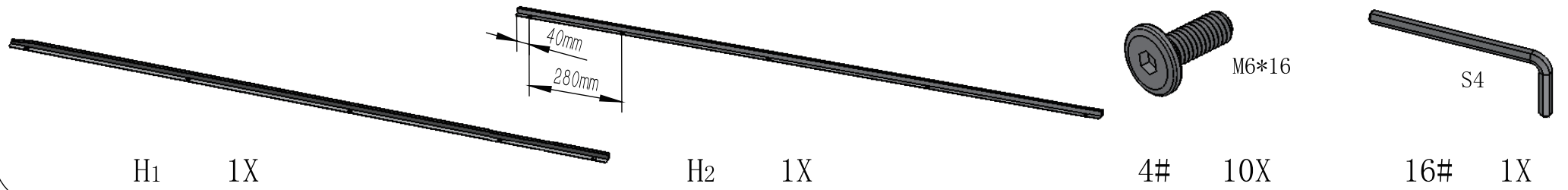
16# 1X

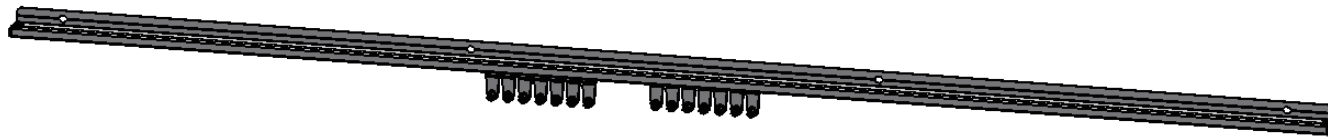


# Side Beam Assembly

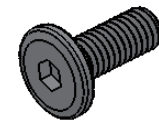






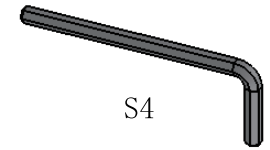


E2 2X



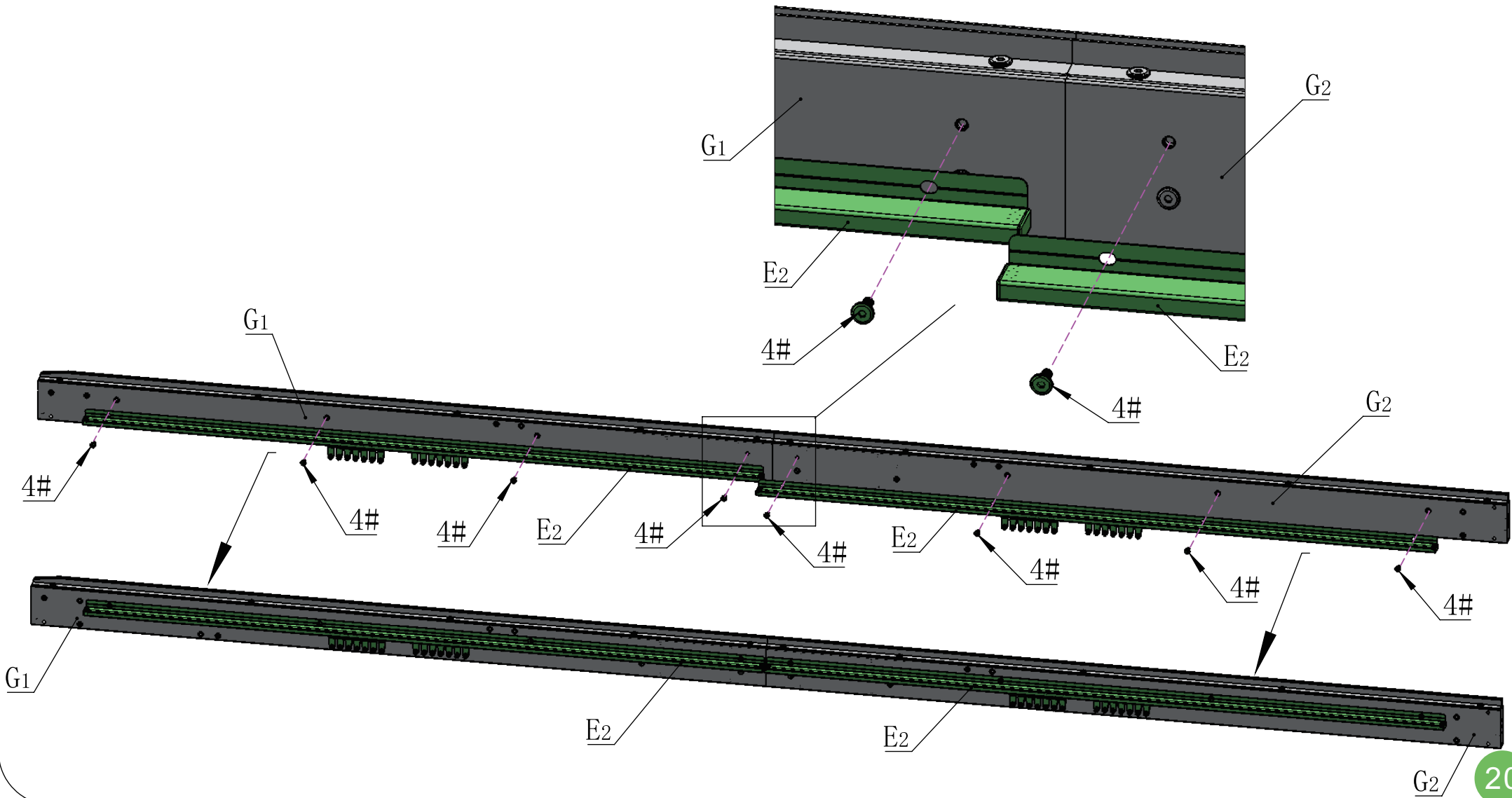
M6\*16

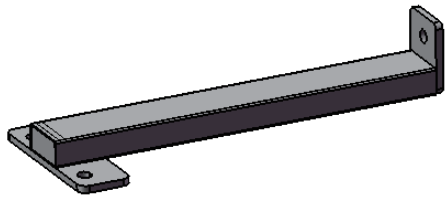
4# 8X



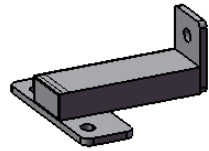
S4

16# 1X

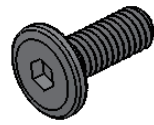




01 1X

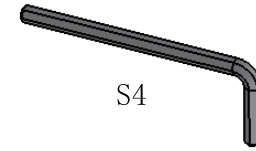


02 1X



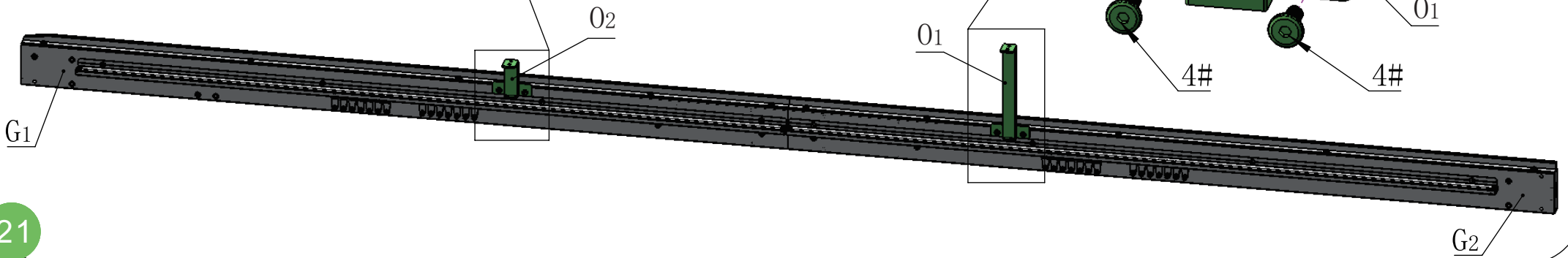
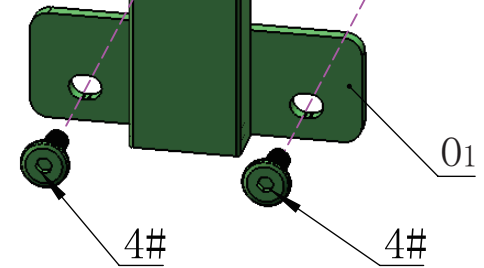
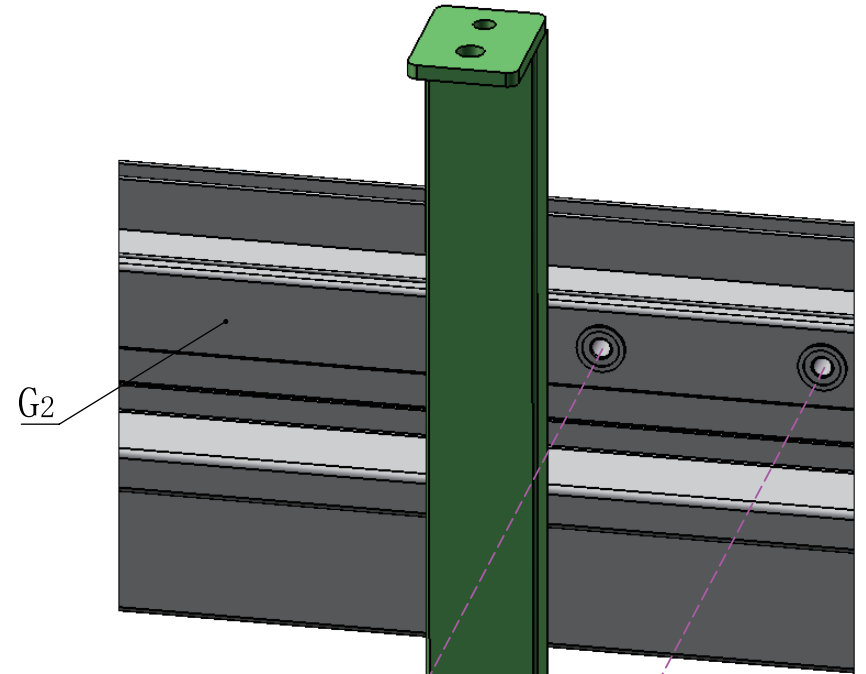
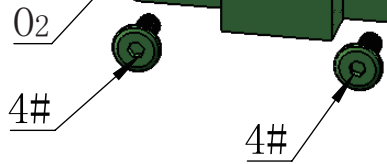
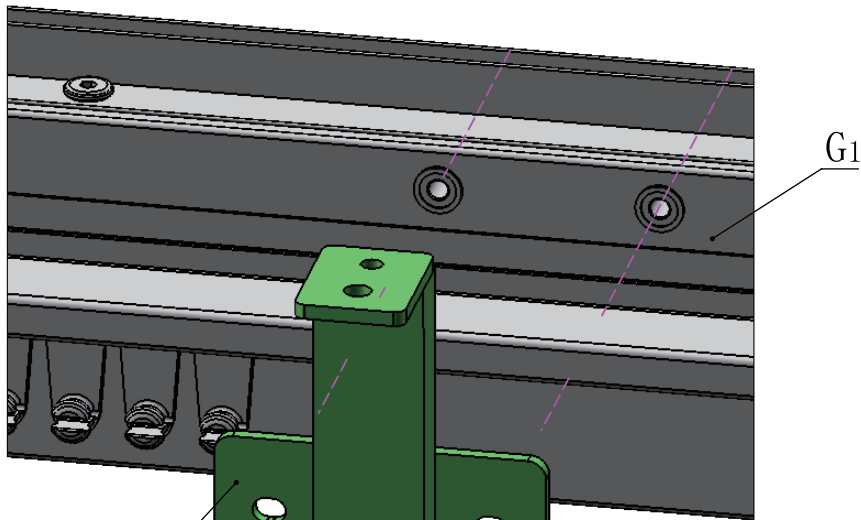
M6\*16

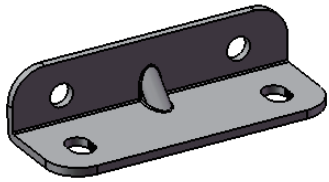
4# 4X



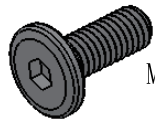
S4

16# 1X



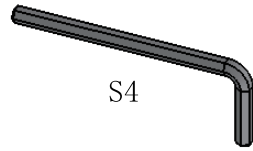


R2 2X



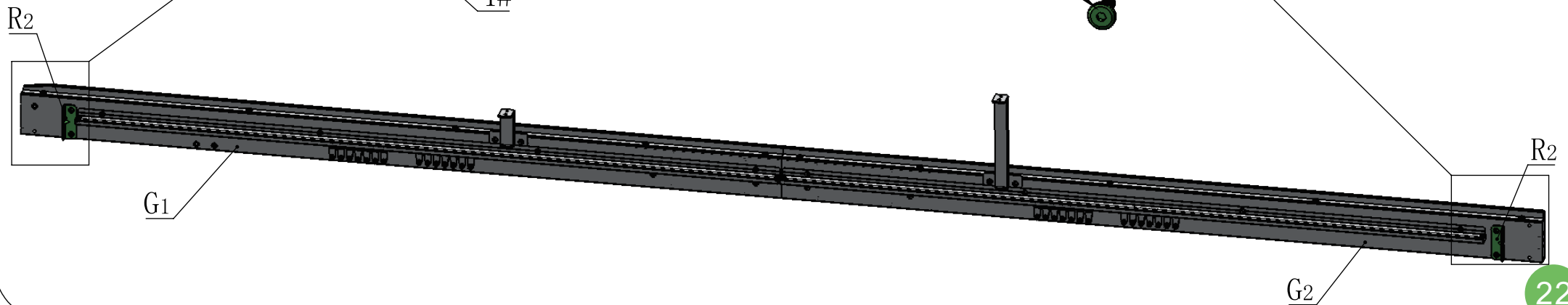
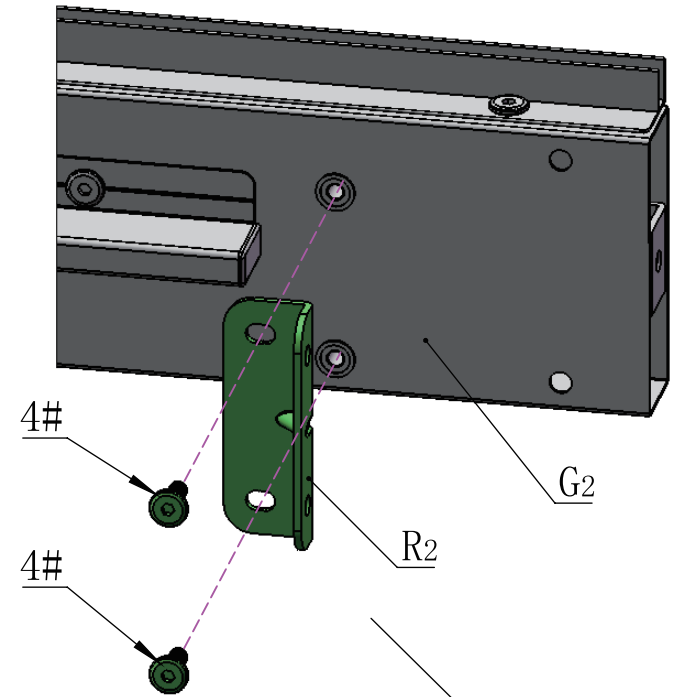
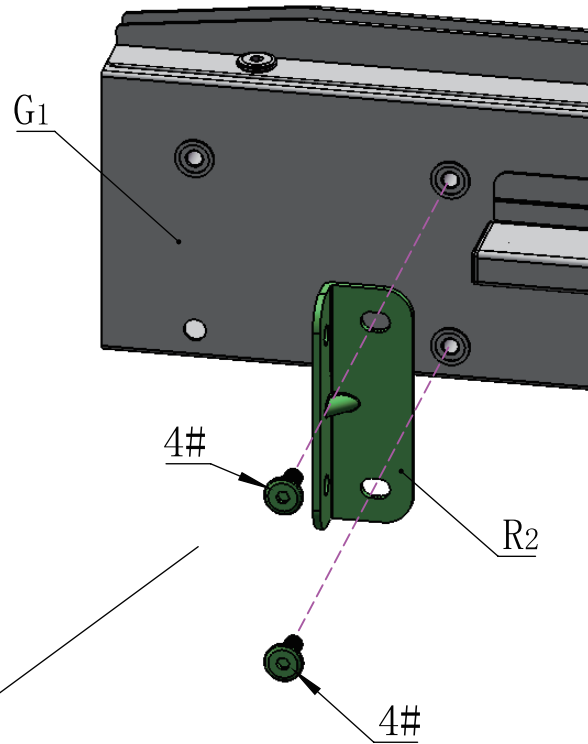
M6\*16

4# 4X

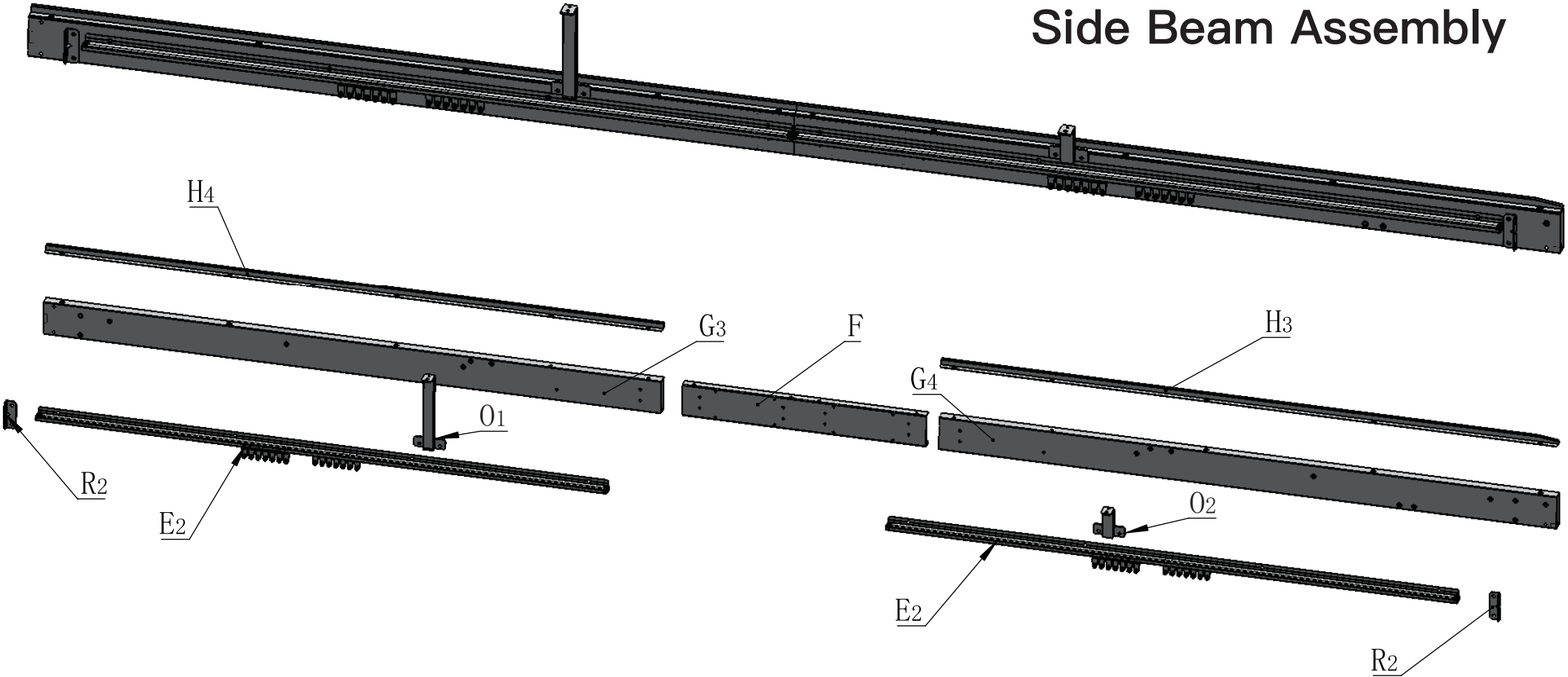


S4

16# 1X



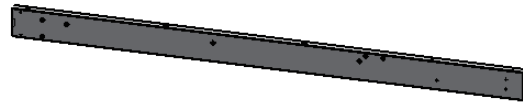
# Side Beam Assembly



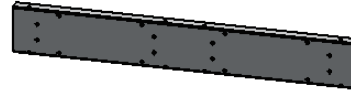




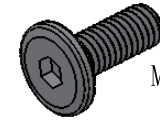
G3 1X



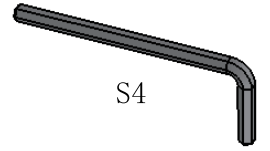
G4 1X



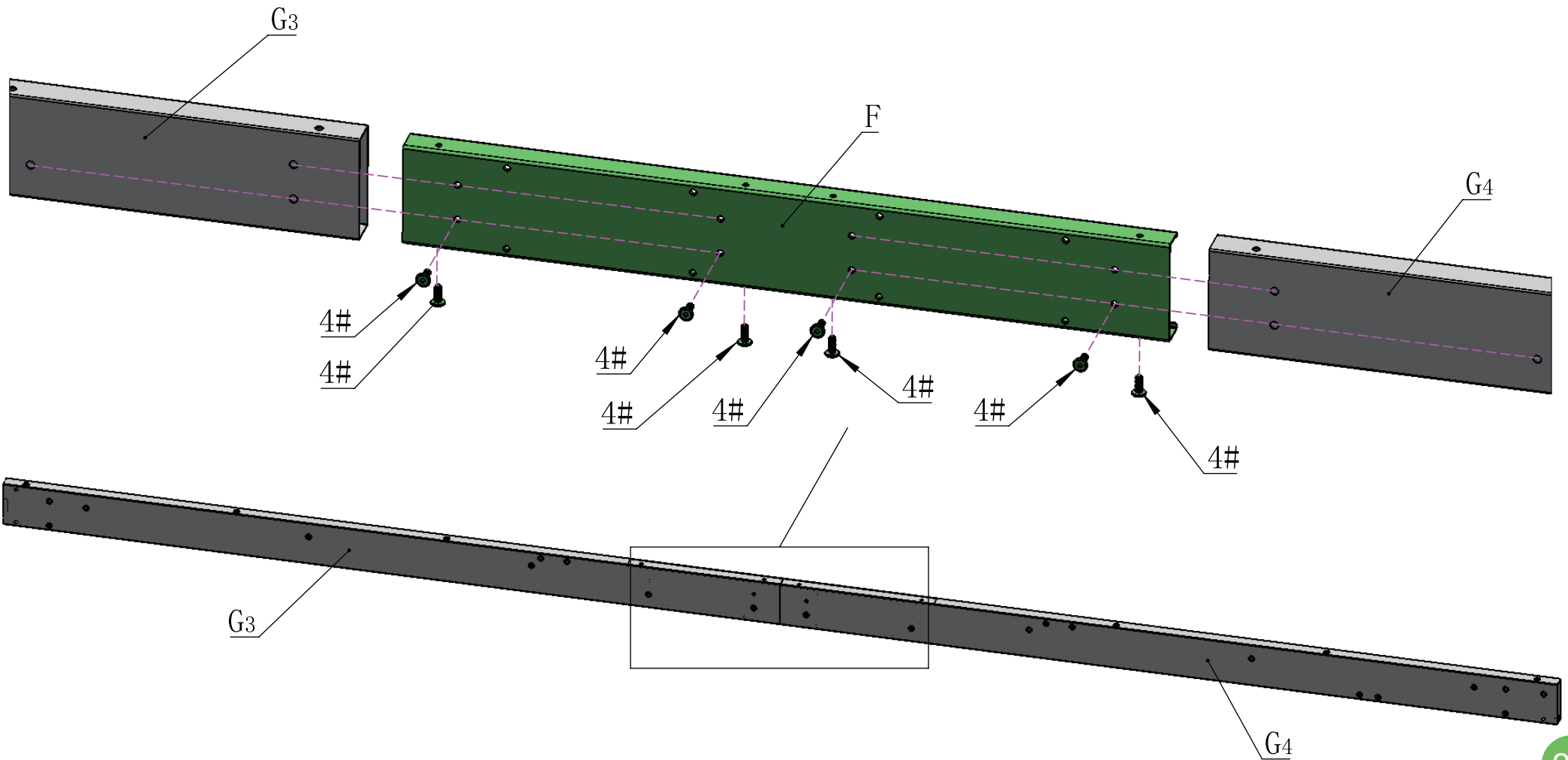
F 1X



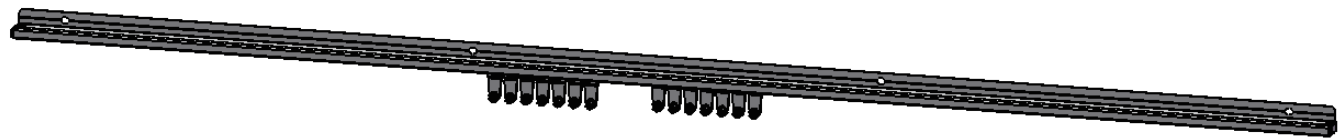
4# 8X



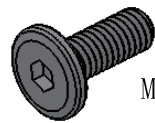
16# 1X







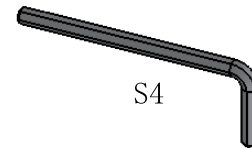
E2 2X



M6\*16

4#

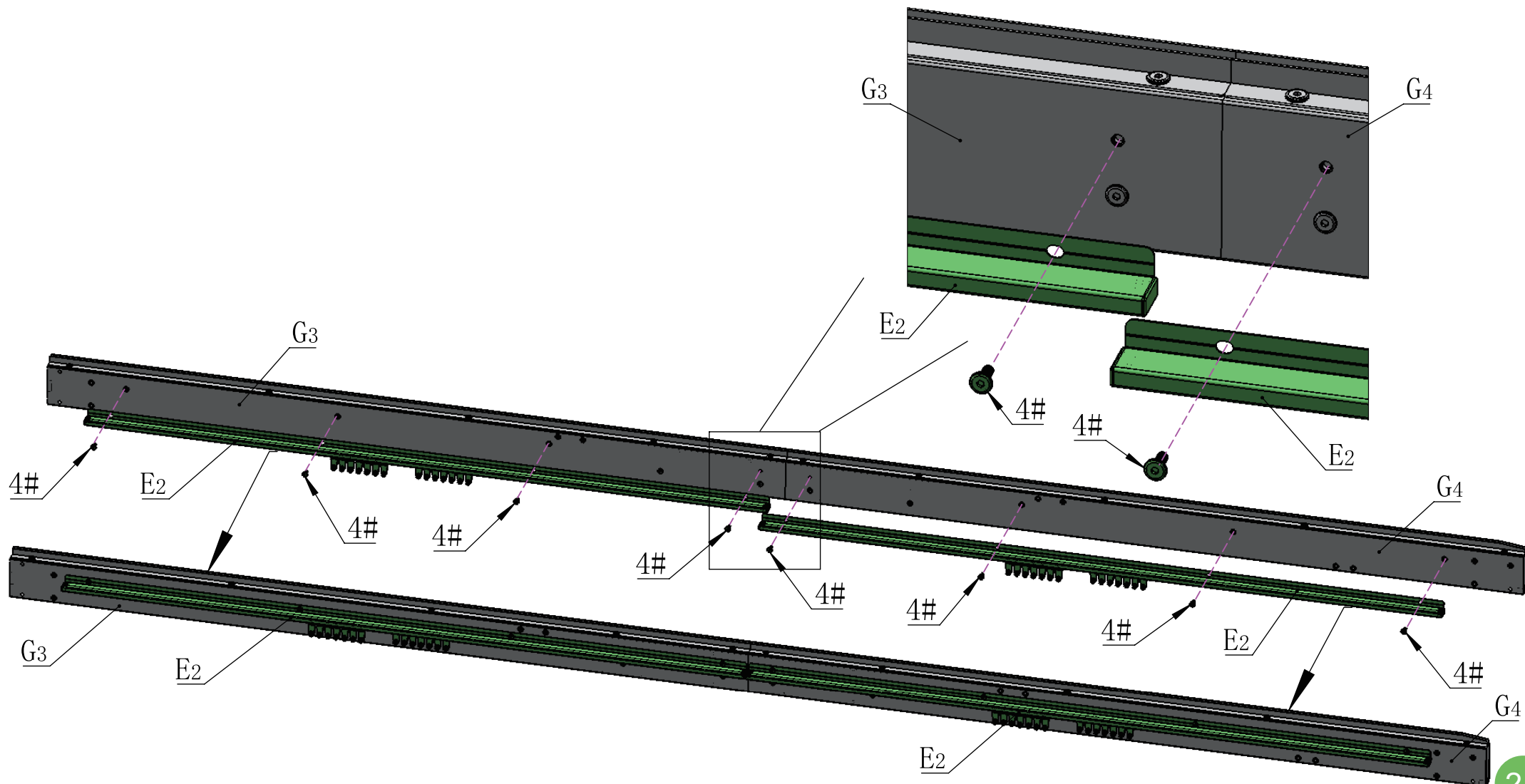
8X

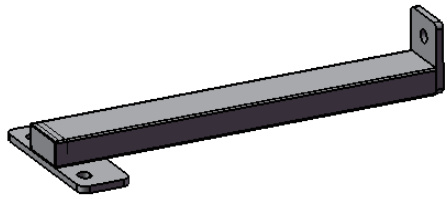


S4

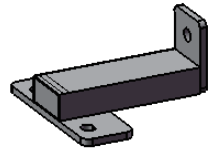
16#

1X

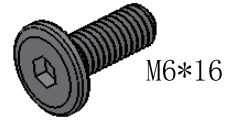




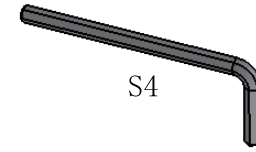
01 1X



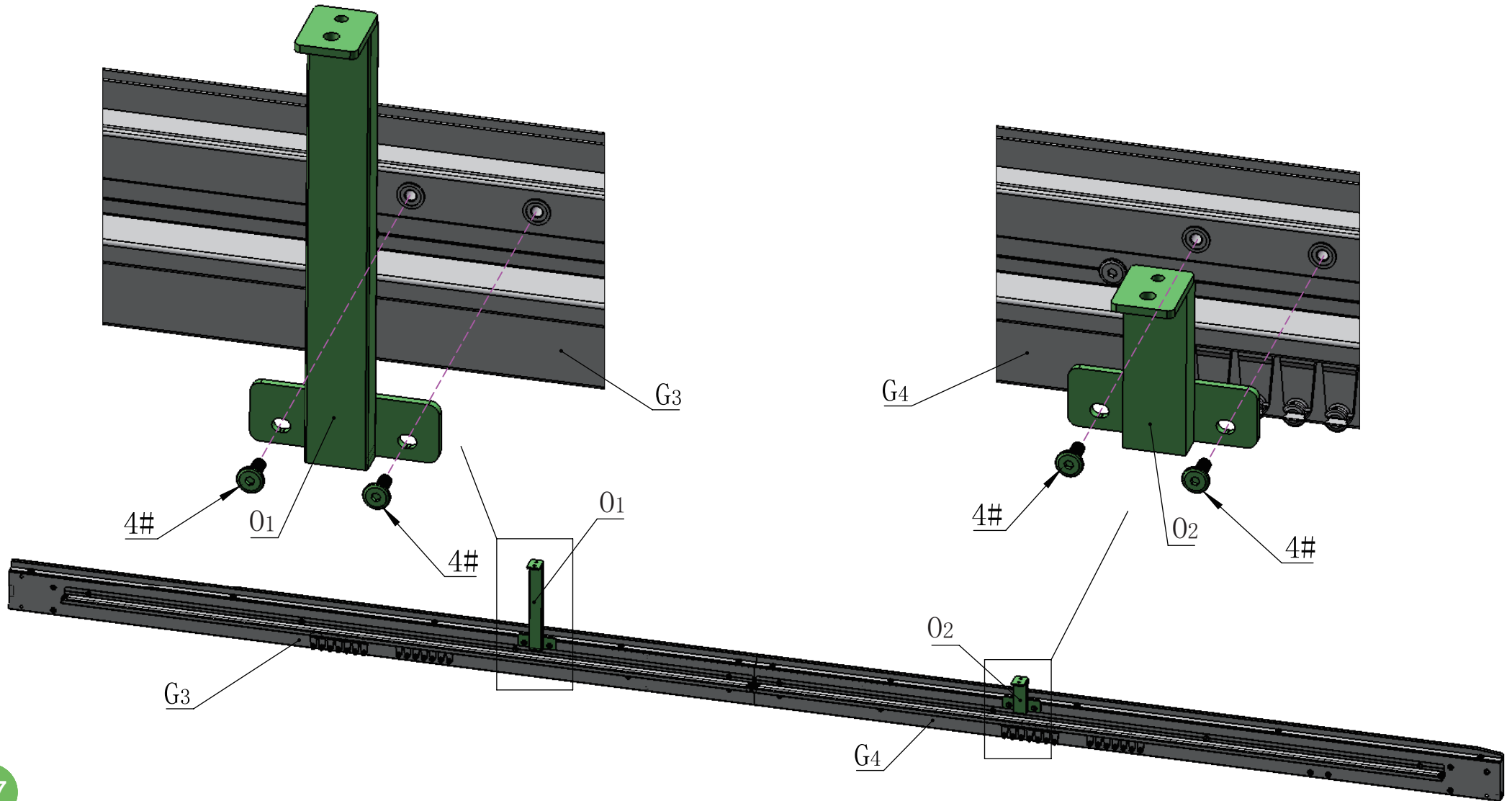
02 1X

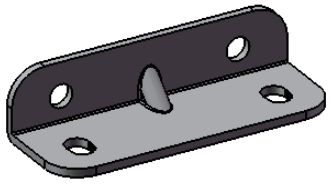


M6\*16  
4# 4X

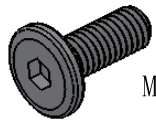


S4  
16# 1X



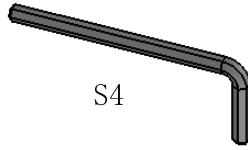


R2 2X



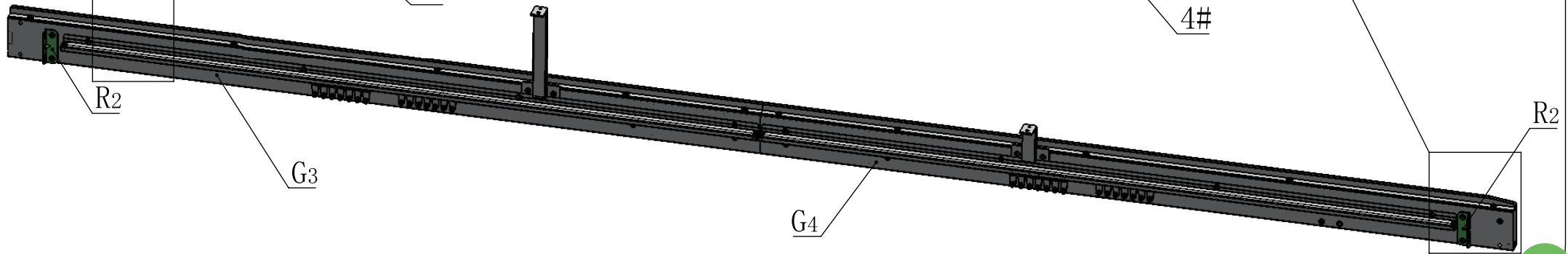
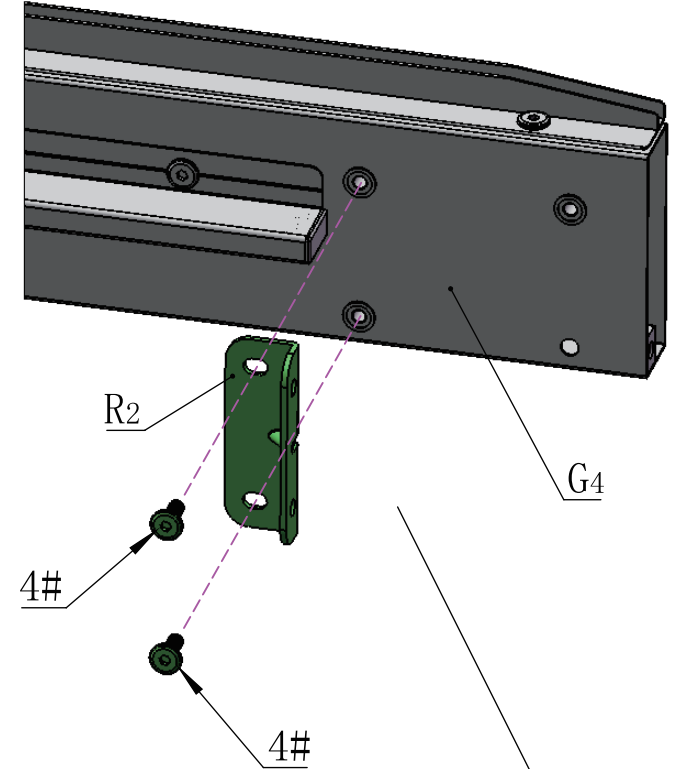
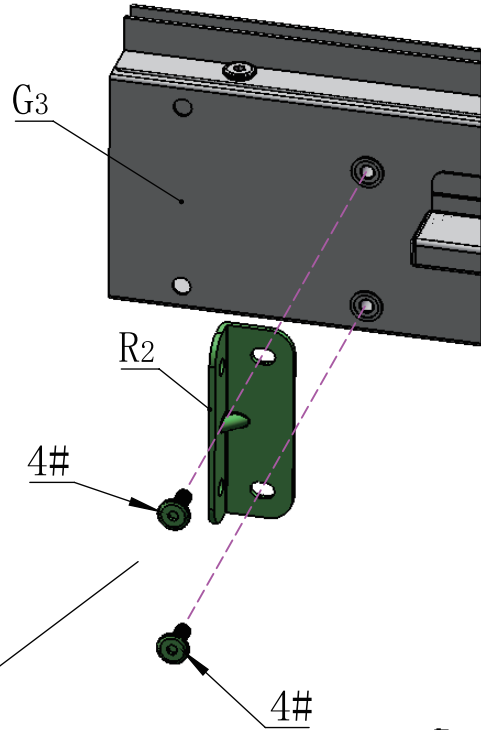
M6\*16

4# 4X

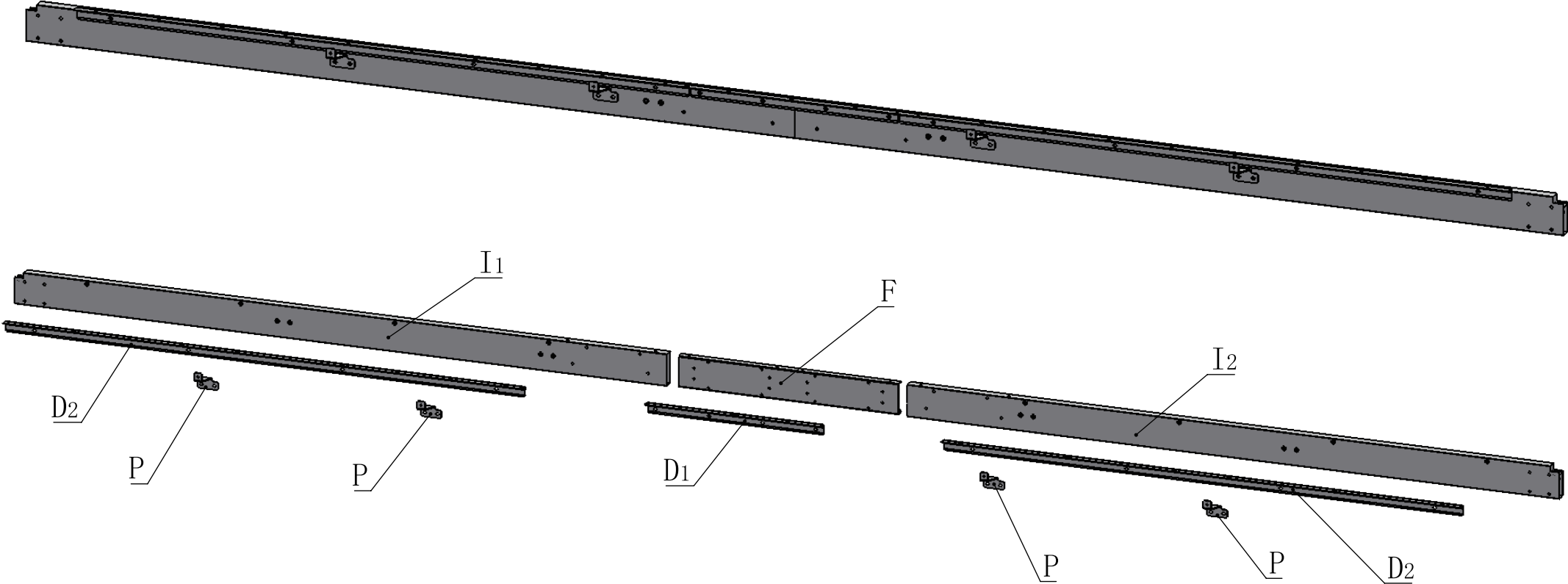


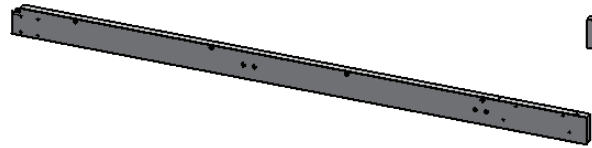
S4

16# 1X

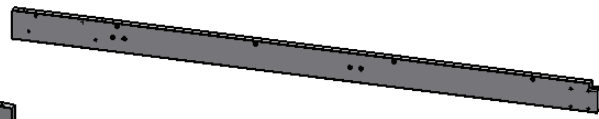


# Rear Beam Assembly





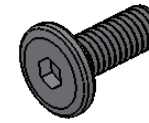
I1 1X



I2 1X

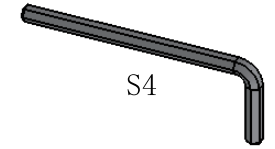


F 1X



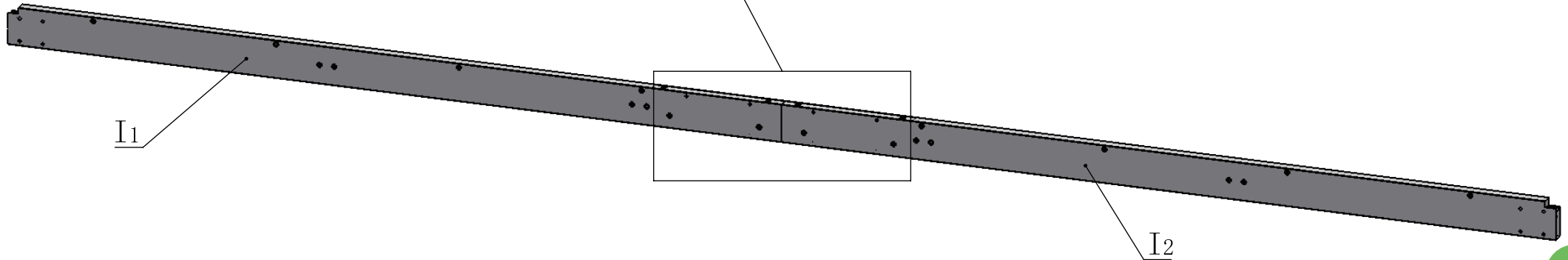
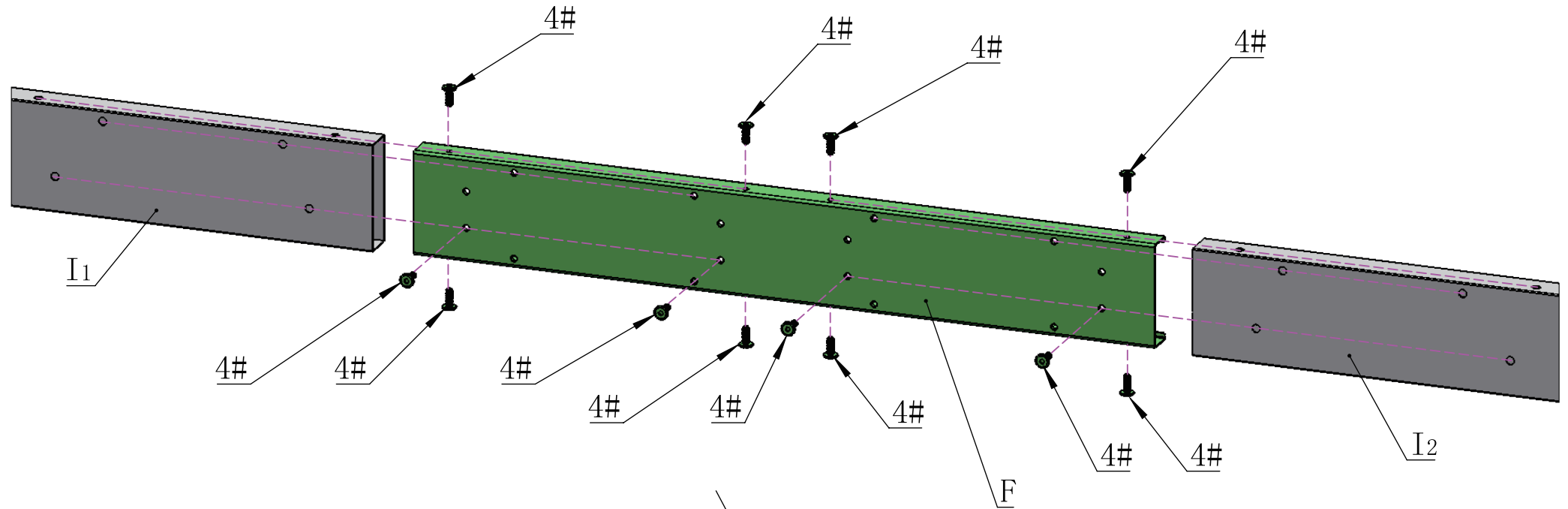
M6\*16

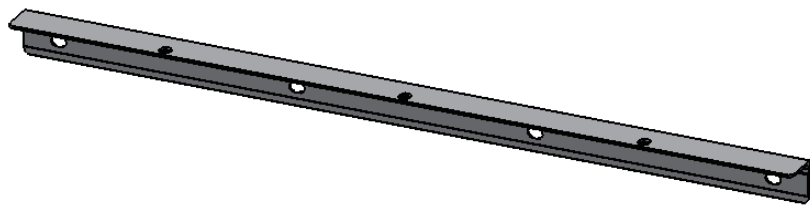
4# 12X



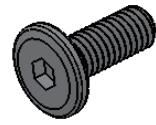
S4

16# 1X



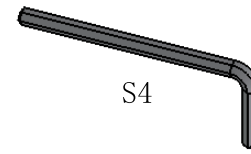


D1 1X



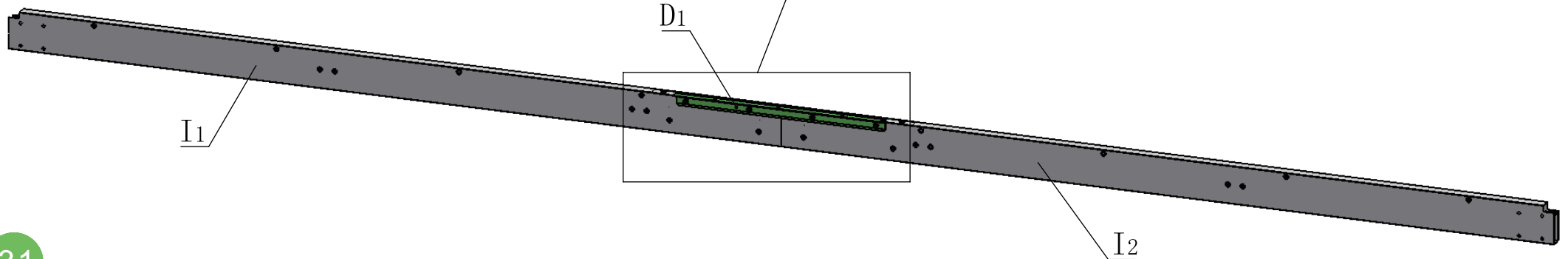
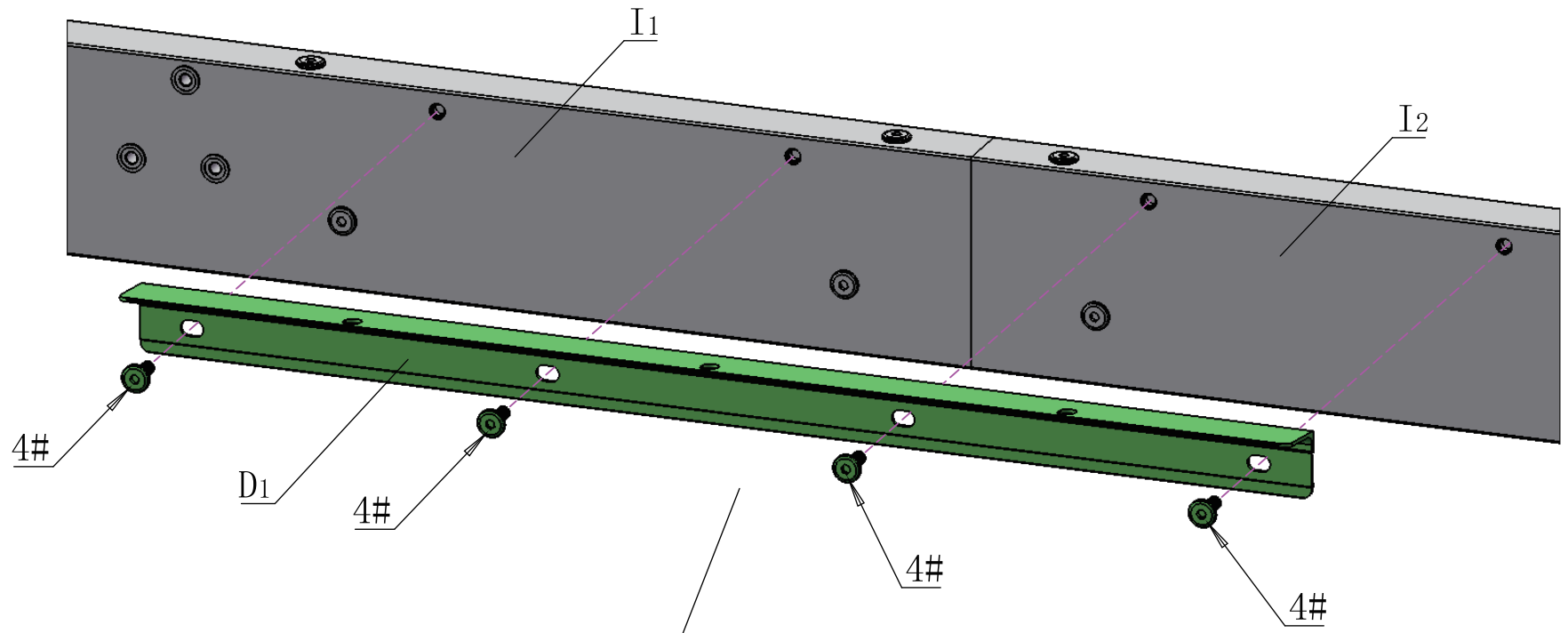
M6\*16

4# 4X

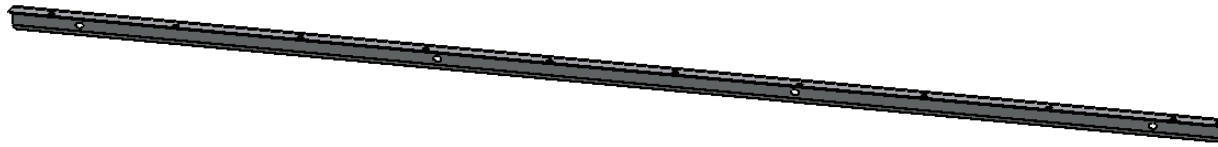


S4

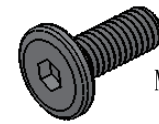
16# 1X







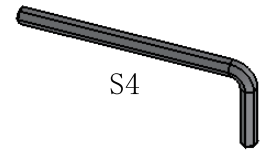
D2 2X



M6\*16

4#

8X

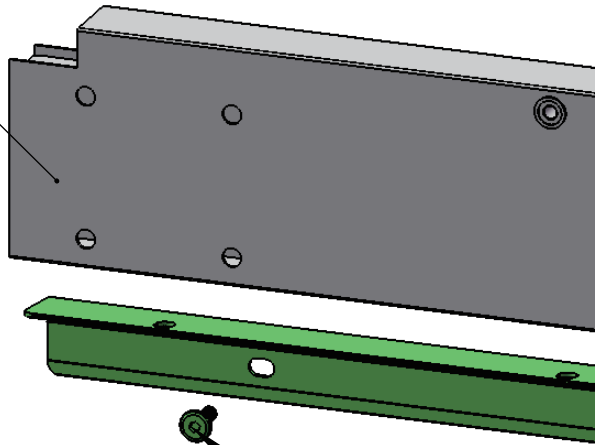


S4

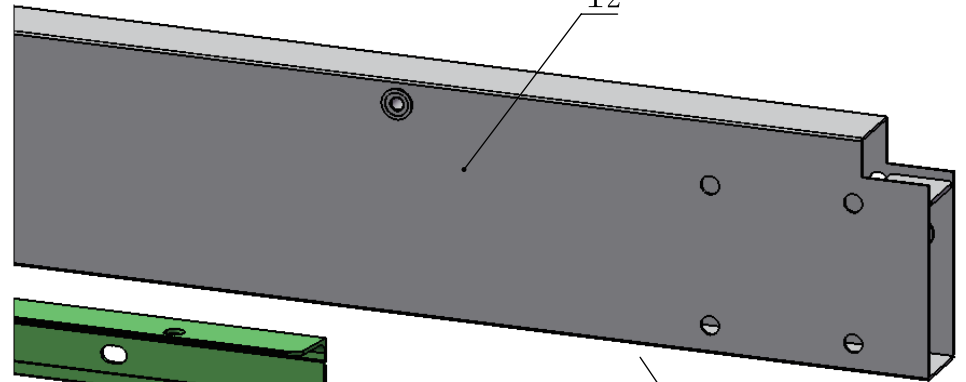
16#

1X

I1



I2



I1

4#

4#

I2

4#

4#

D2

4#

4#

4#

D2

4#

4#

4#

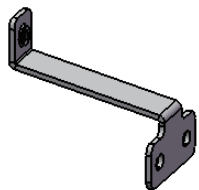
4#

I1

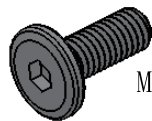
D2

I2

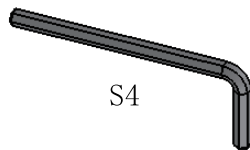
D2



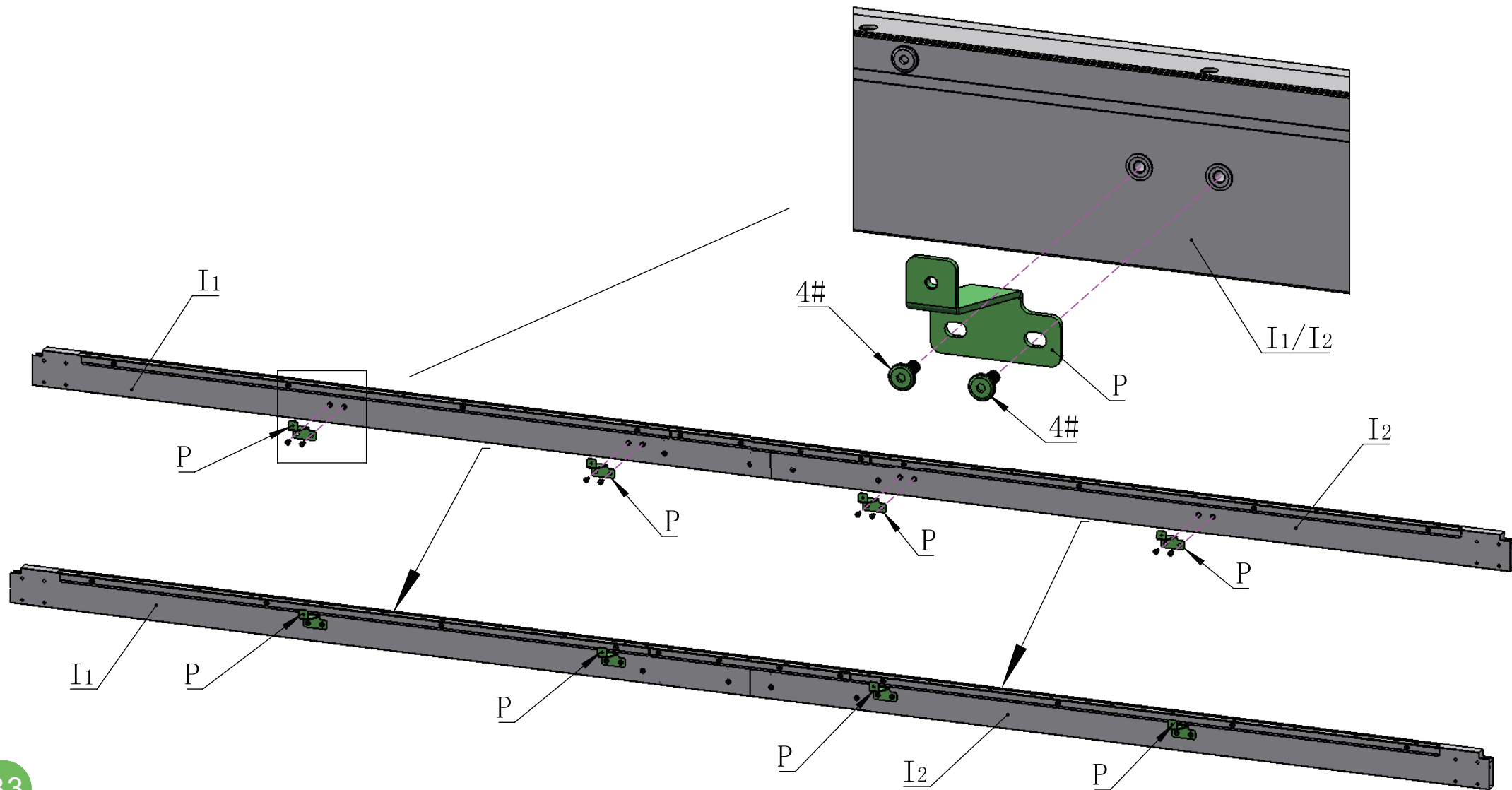
P 4X

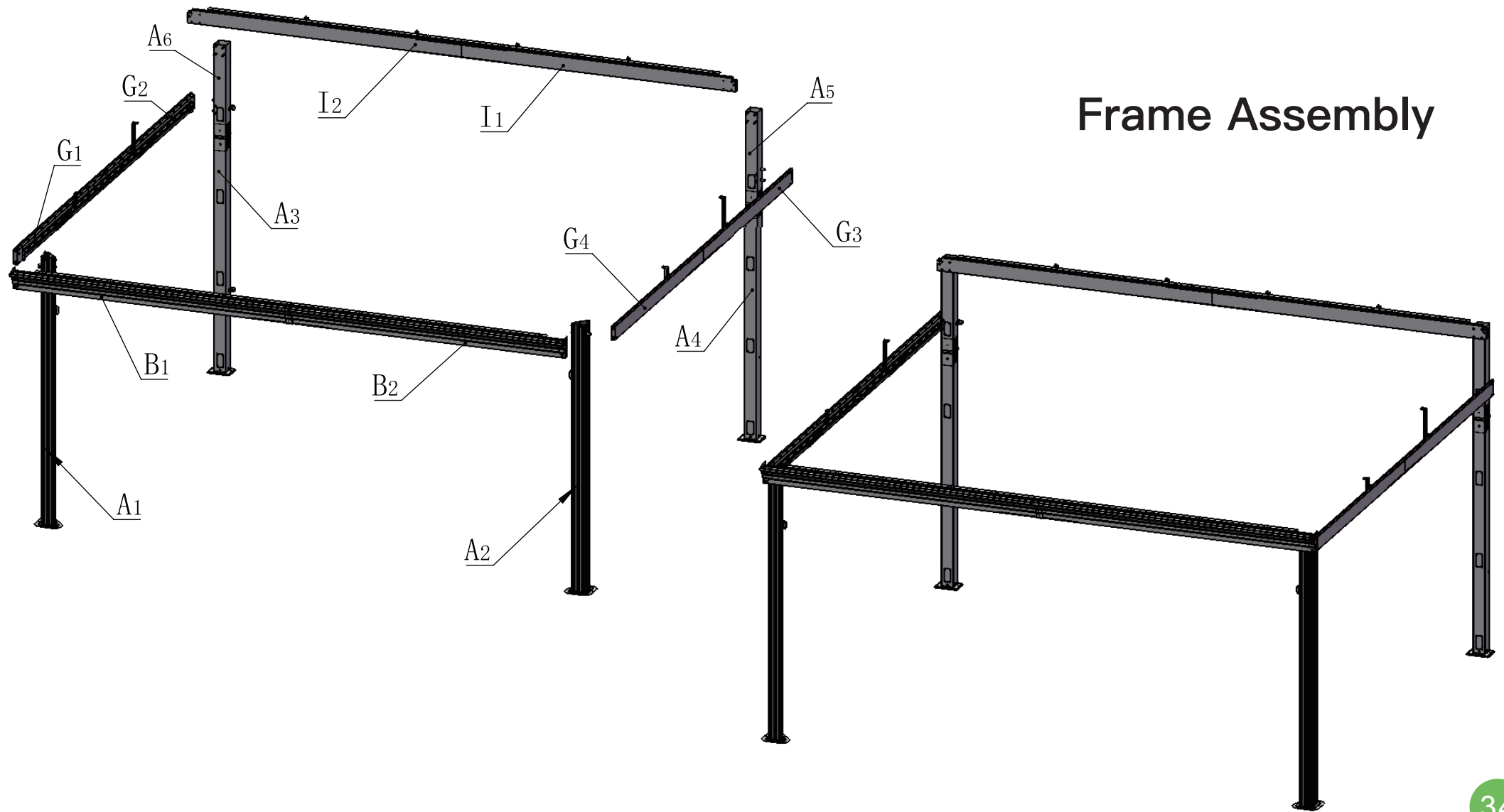


M6\*16  
4# 8X

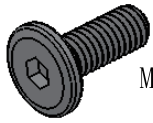


S4  
16# 1X





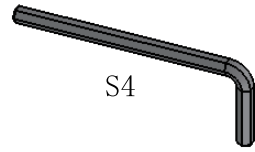
## Frame Assembly



M6\*16

4#

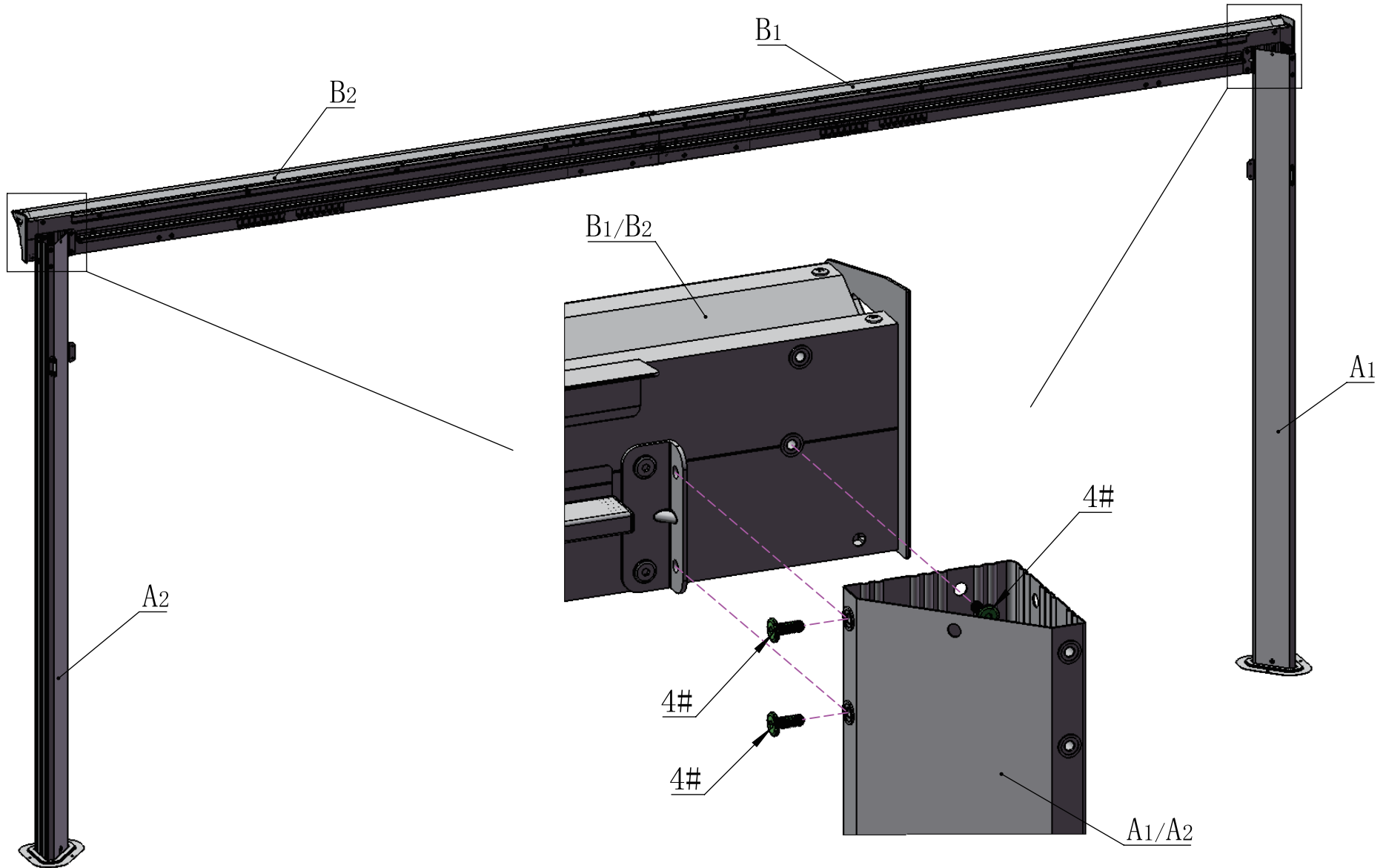
6X

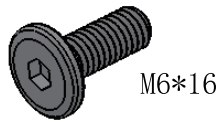


S4

16#

1X

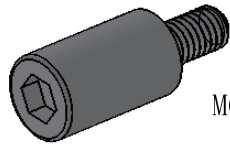




M6\*16

4#

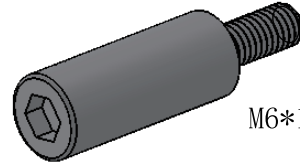
10X



M6\*12 (L20)

7#

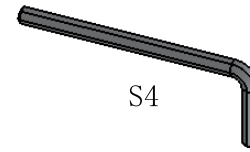
2X



M6\*15 (L30)

8#

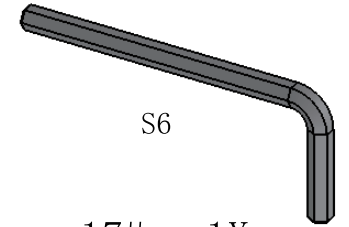
6X



S4

16#

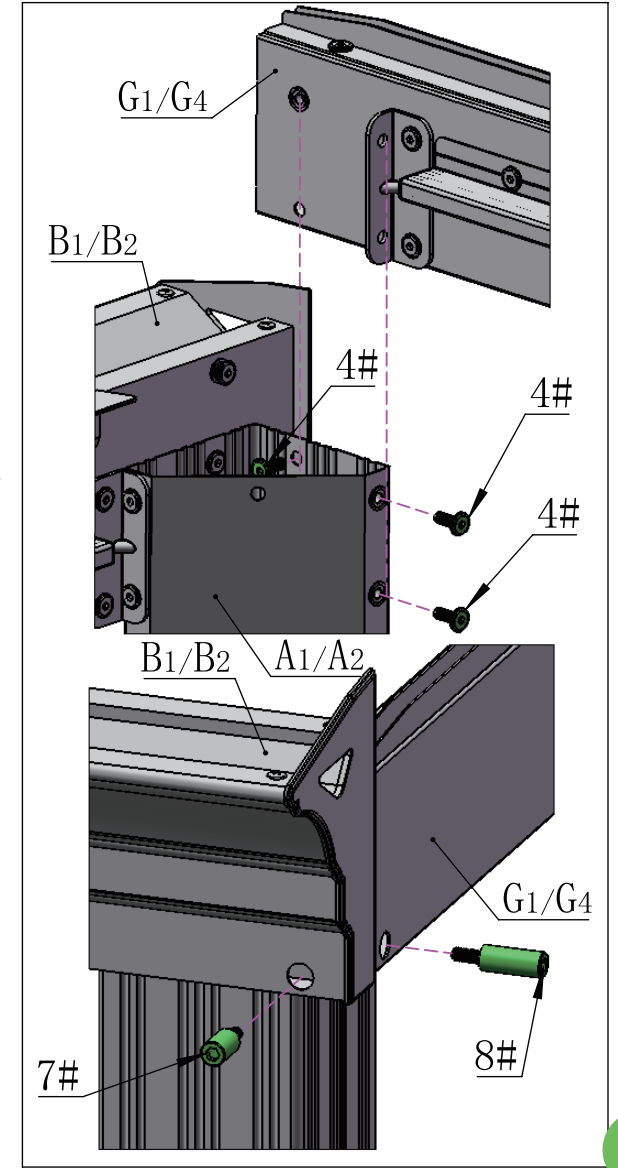
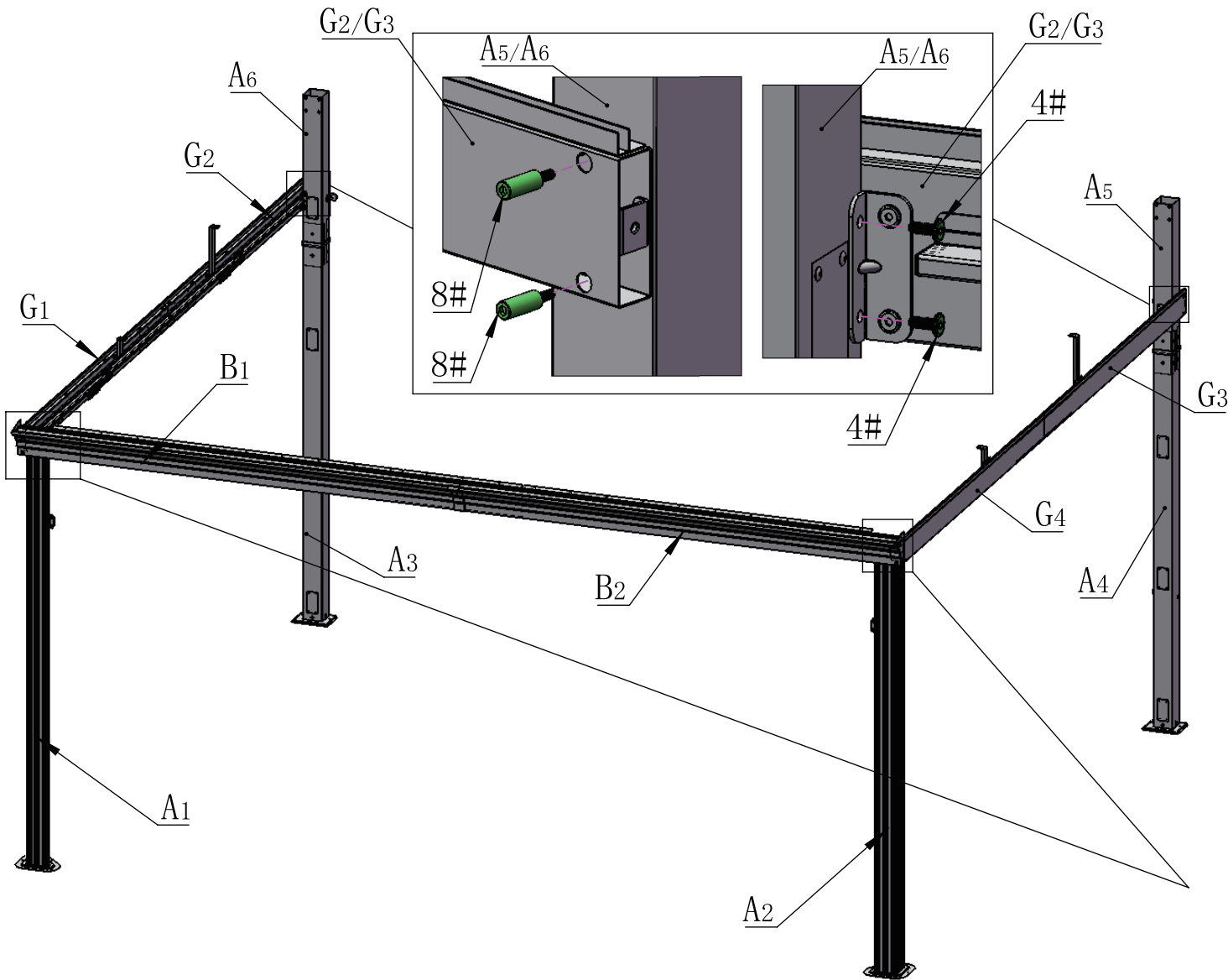
1X

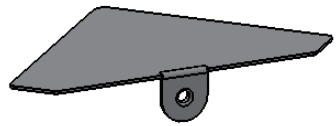


S6

17#

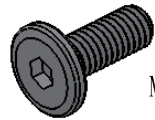
1X





Q

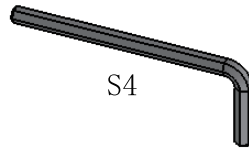
2X



M6\*16

4#

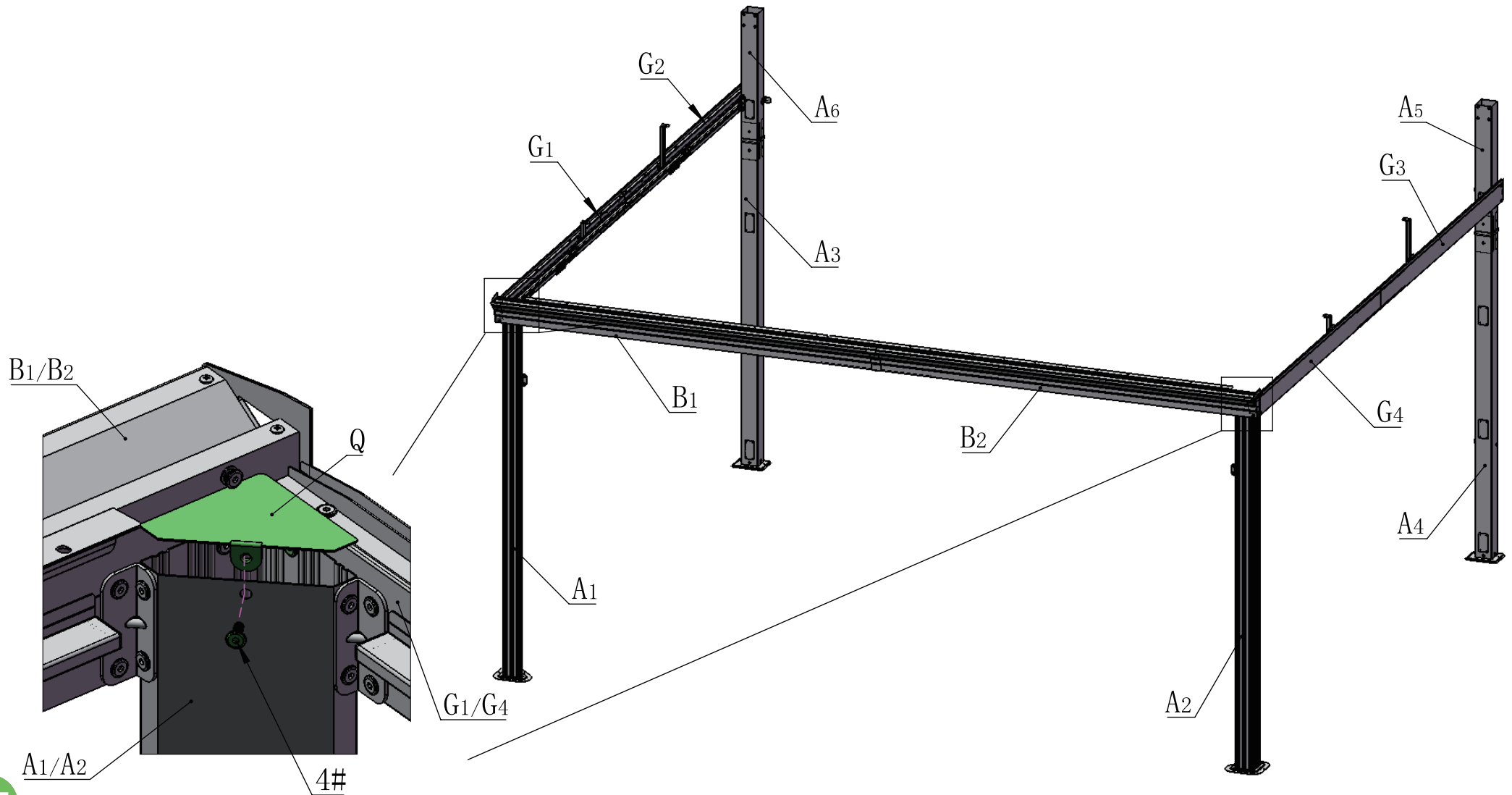
2X

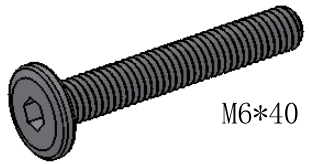


S4

16#

1X

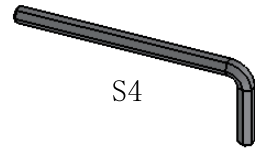




M6\*40

6#

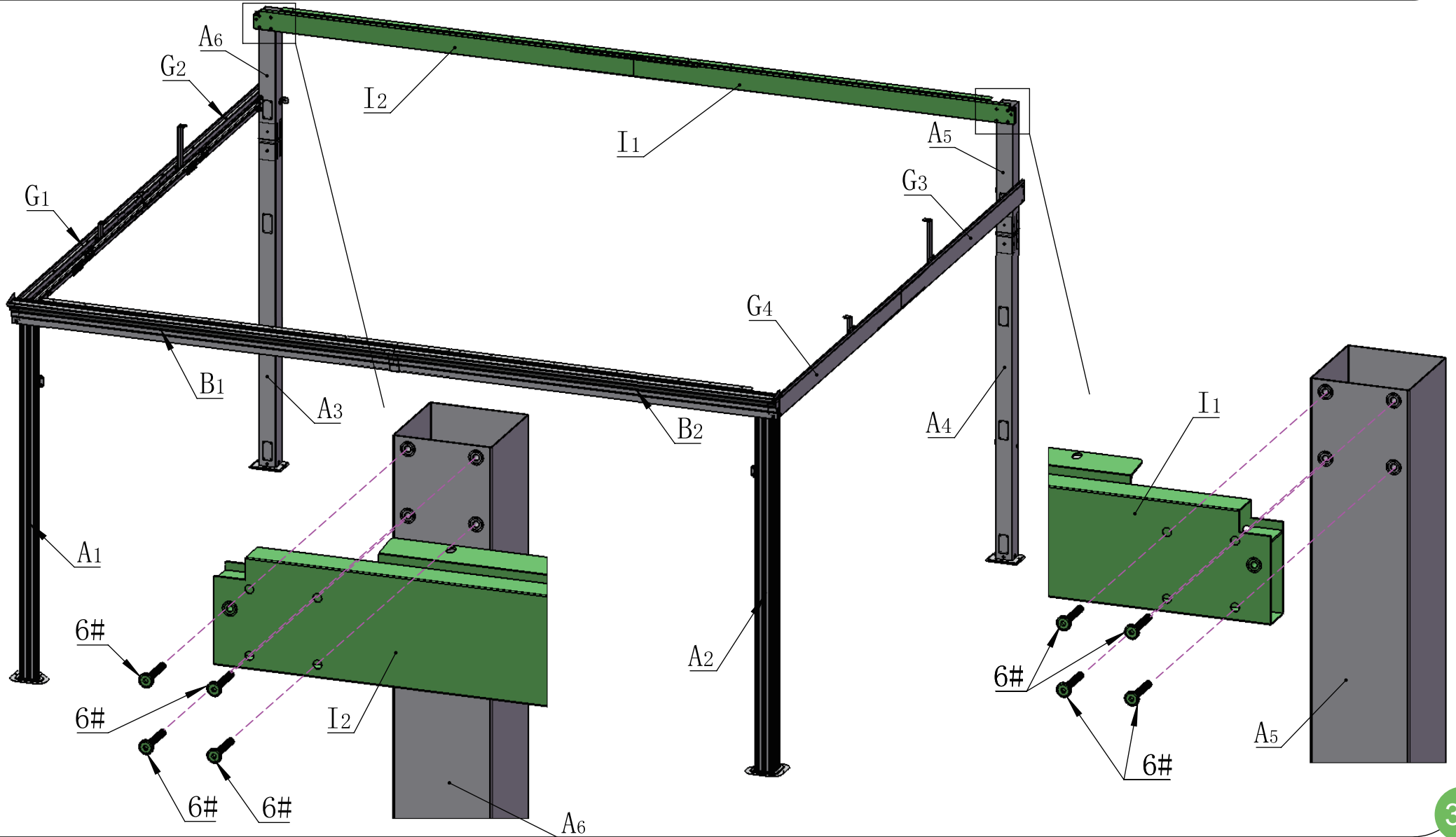
8X

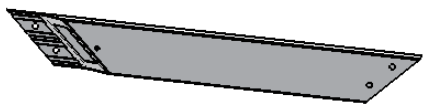


S4

16#

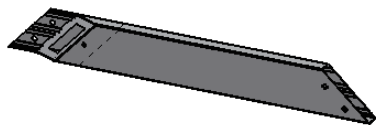
1X





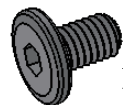
S1

2X



S2

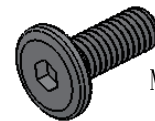
2X



M6\*10

3#

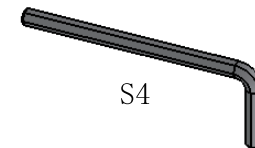
8X



M6\*16

4#

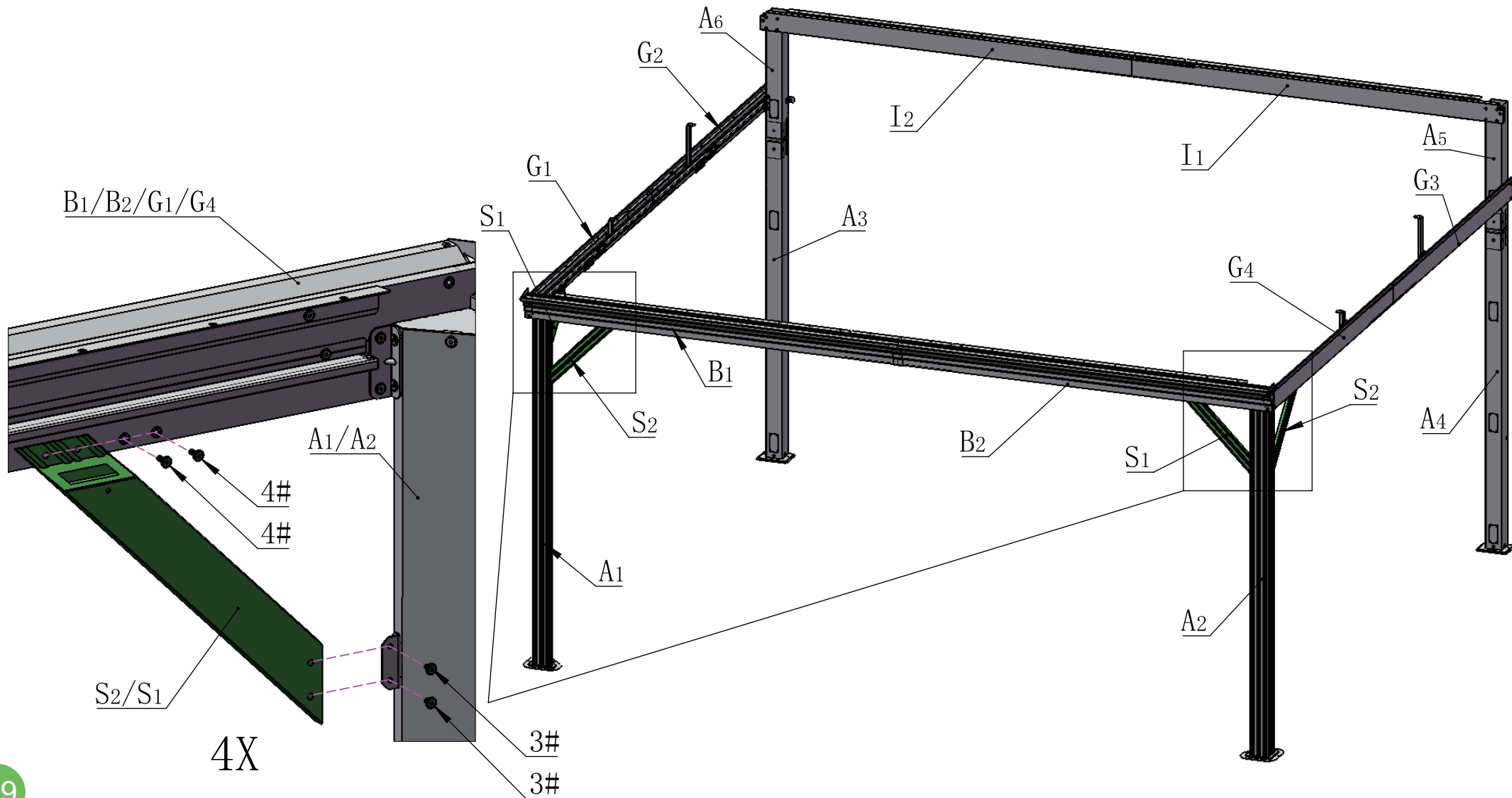
8X



S4

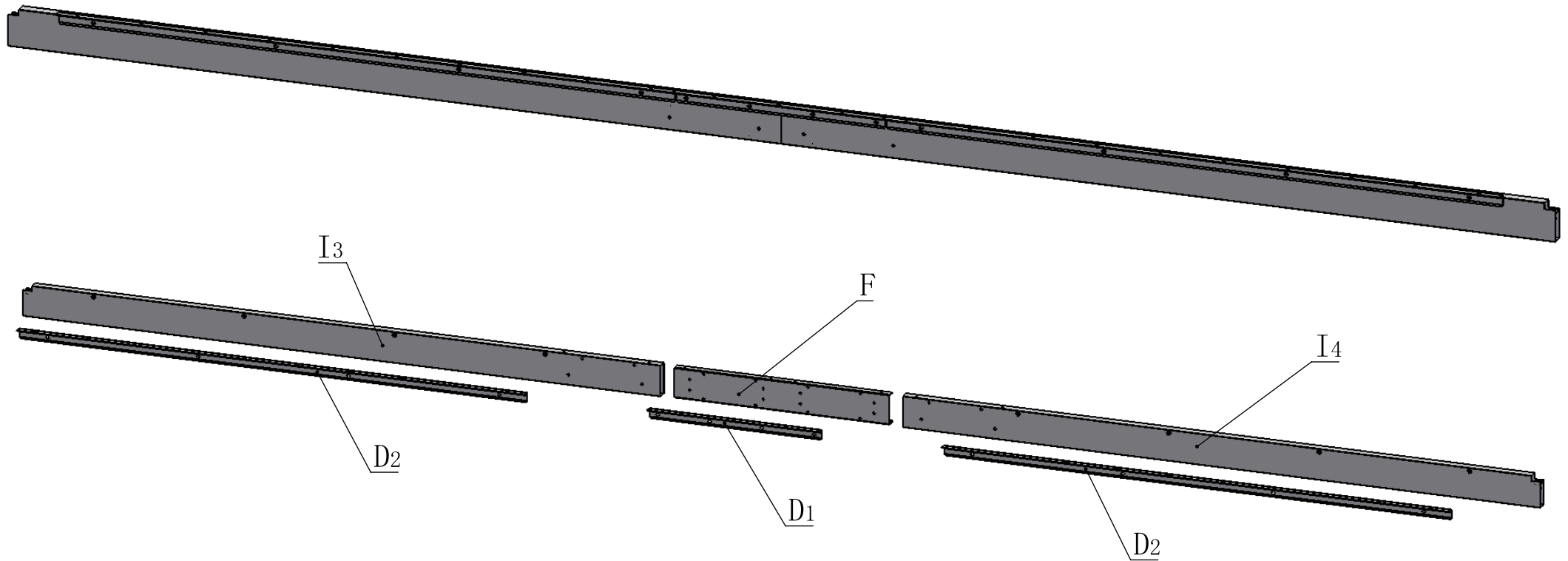
16#

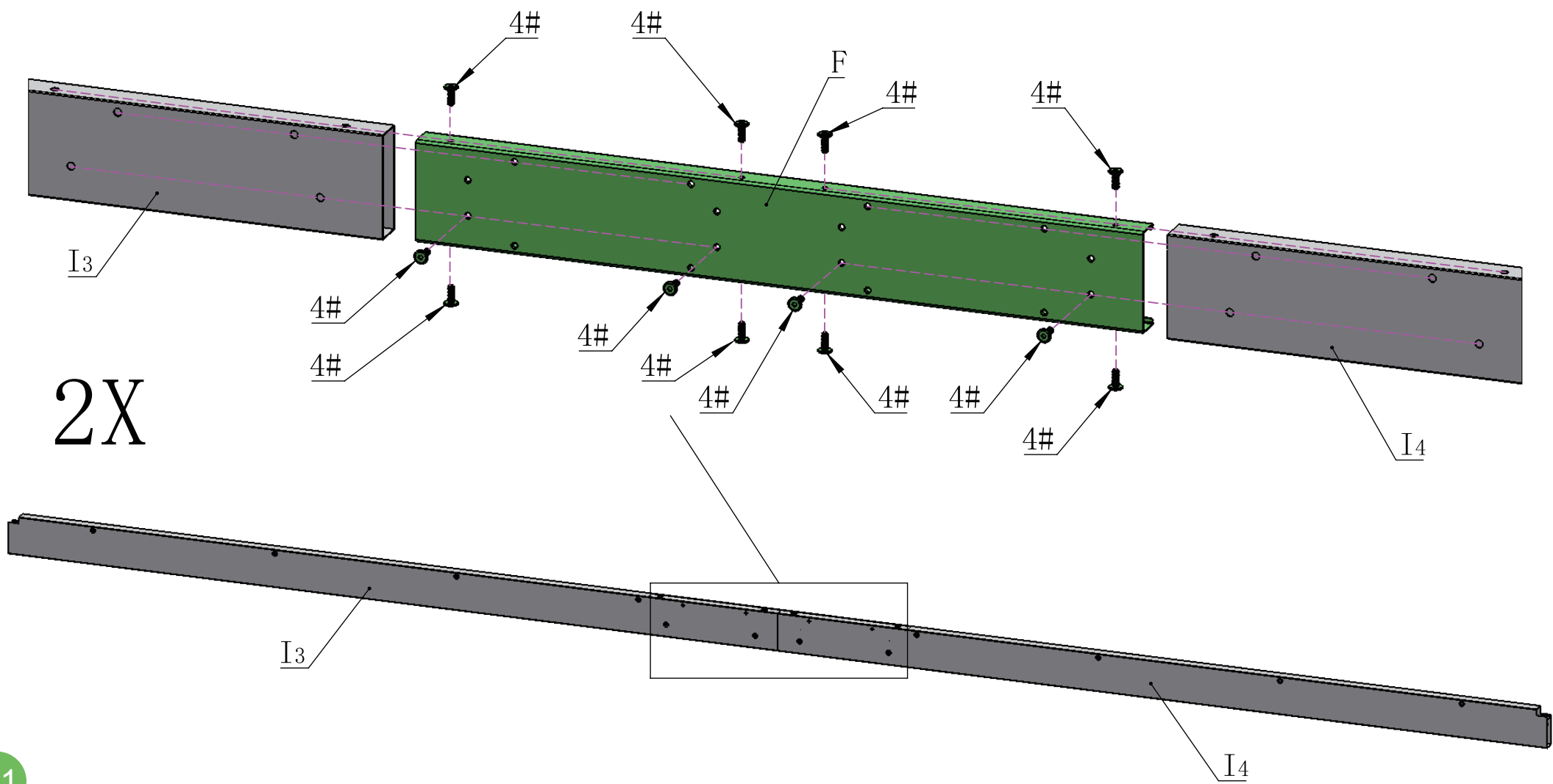
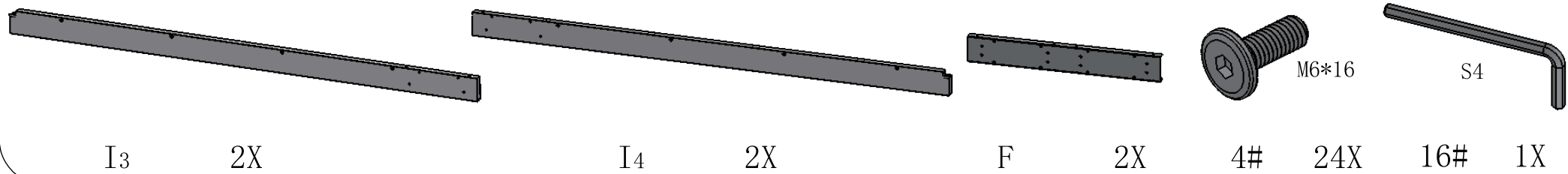
1X

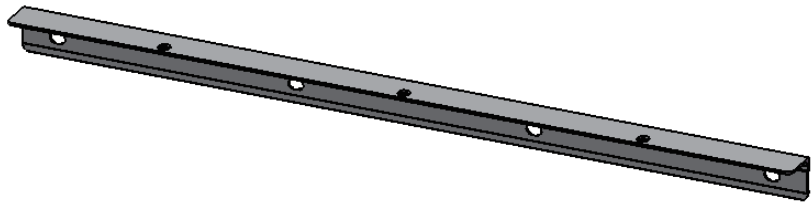




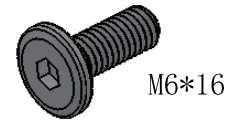
# Two Central Beam Assembly 2X





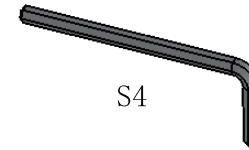


D1 2X



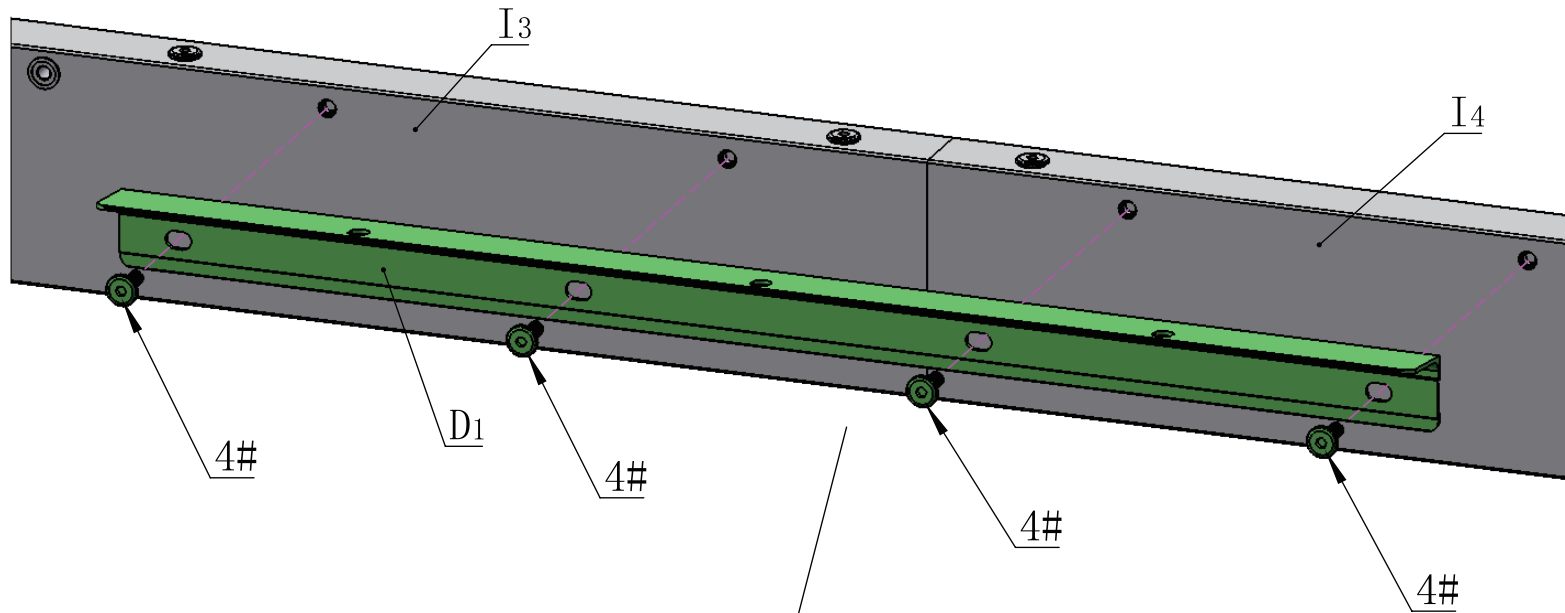
M6\*16

4# 8X

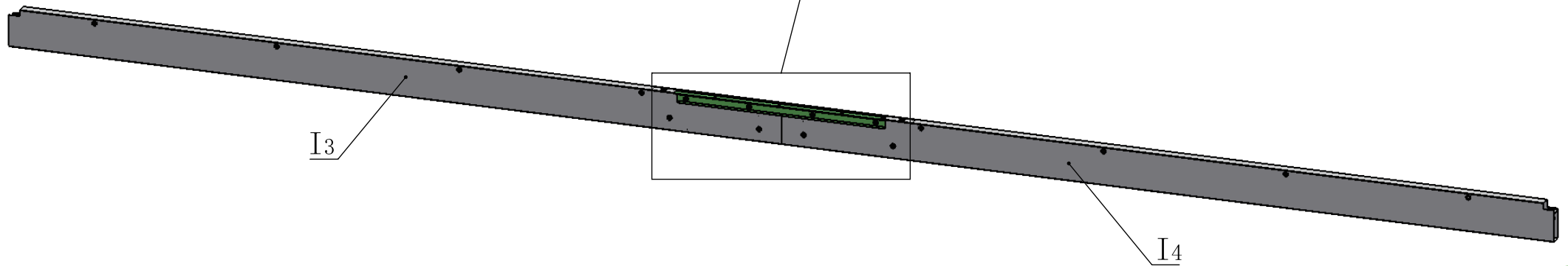


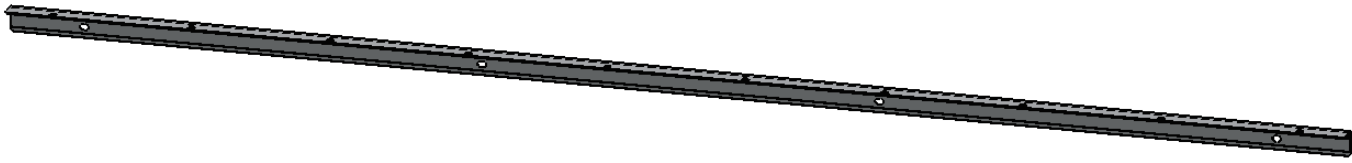
S4

16# 1X

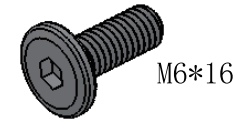


2X

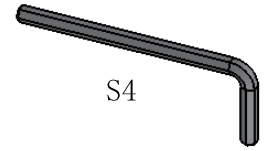




D2 4X



M6\*16



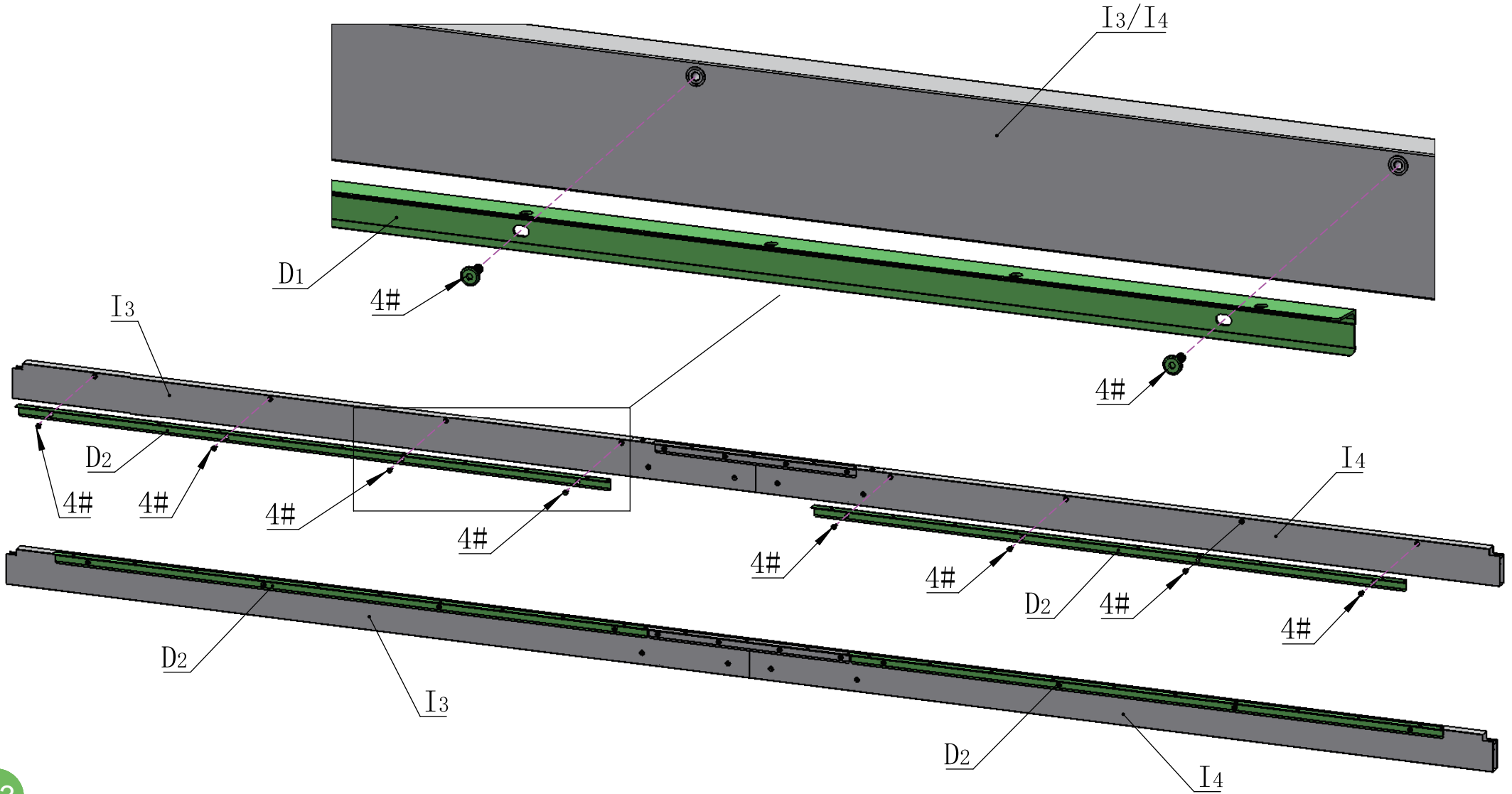
S4

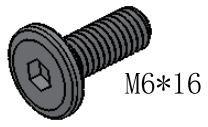
4#

16X

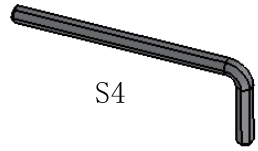
16#

1X





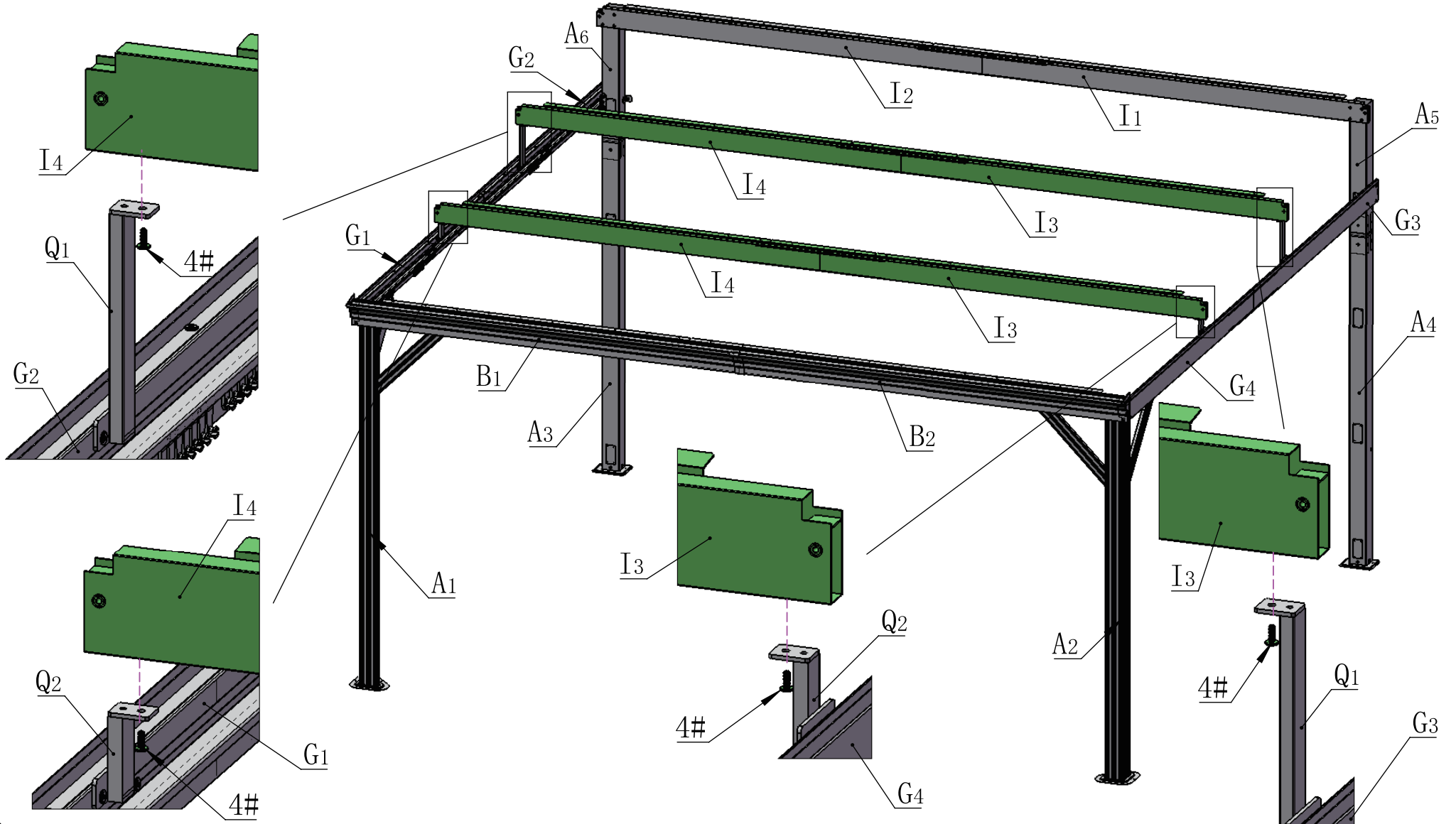
M6\*16

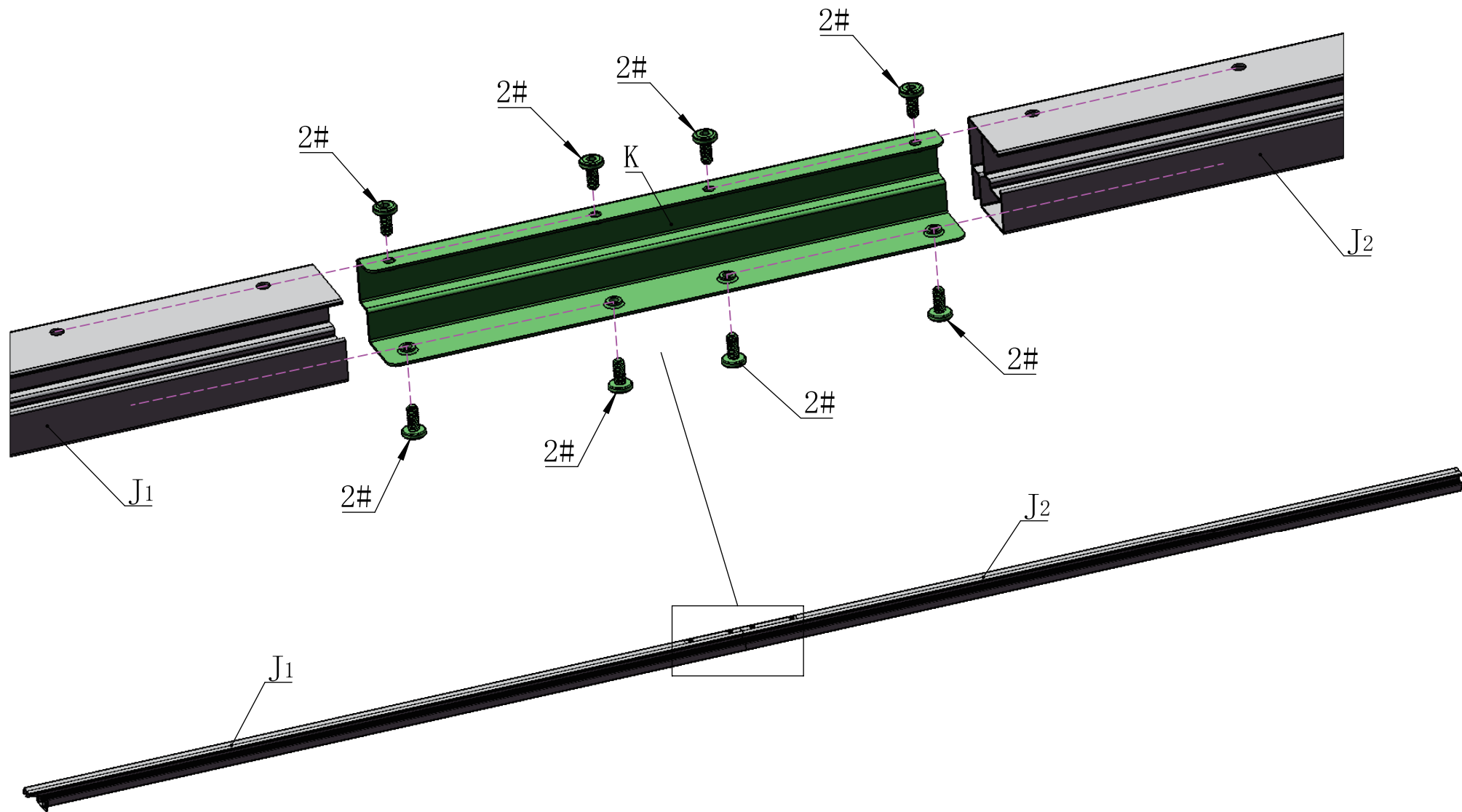
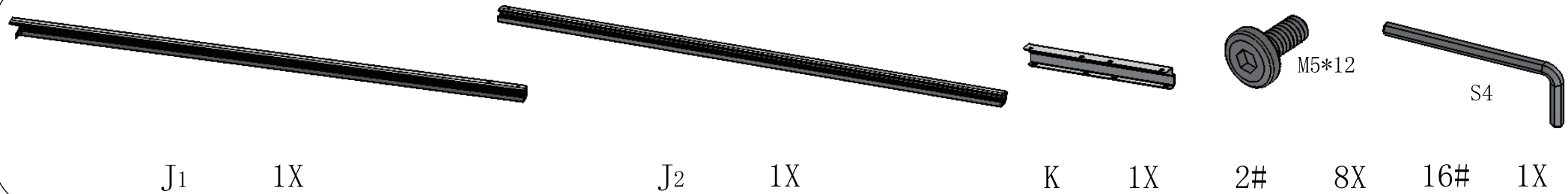


S4

4# 4X

16# 1X







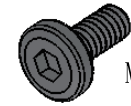
J3 1X



J4 1X

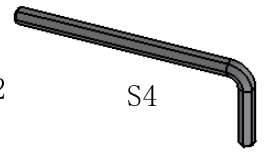


K 1X



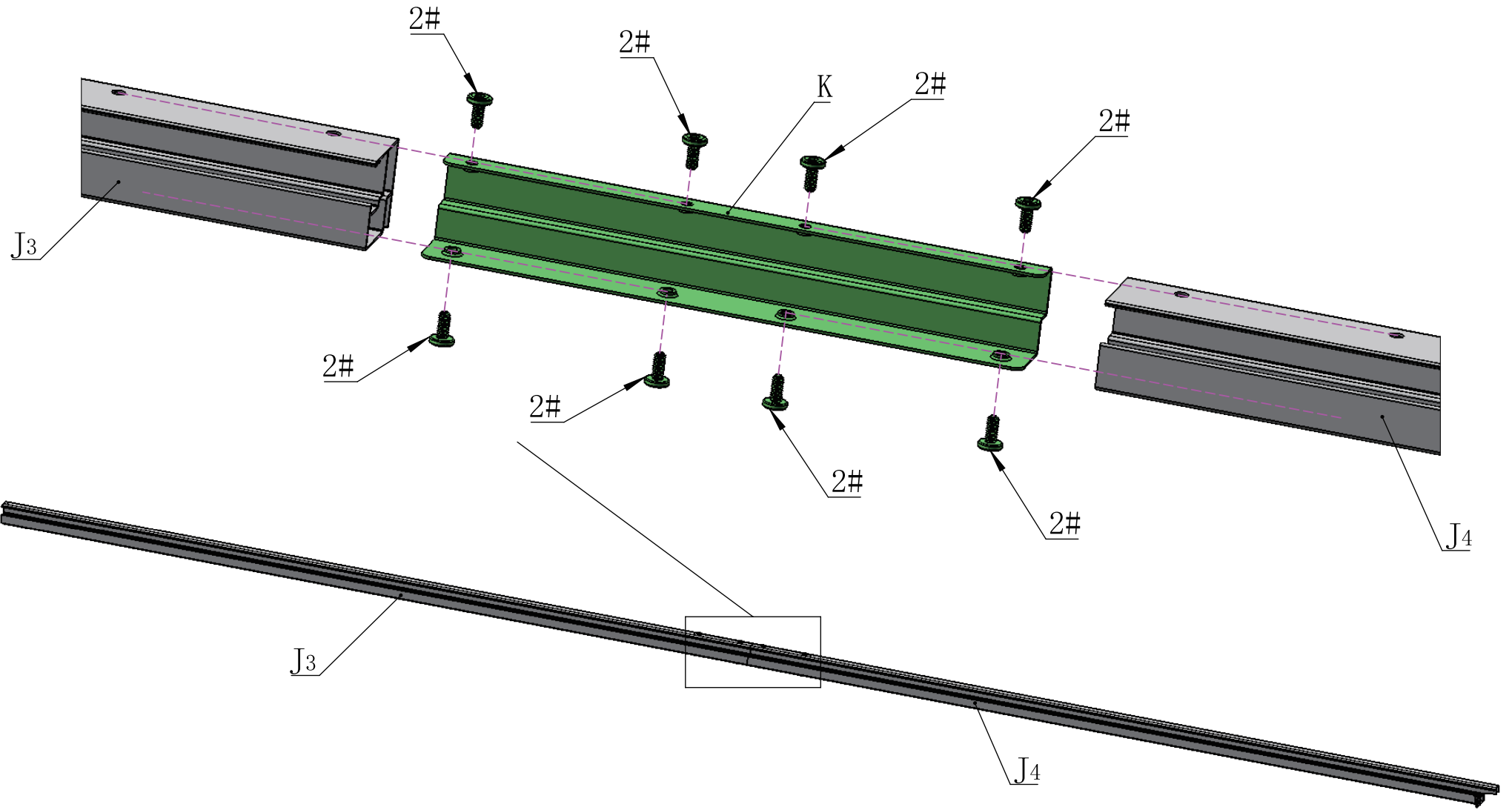
M5\*12

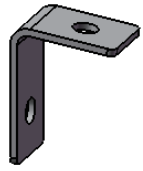
2# 8X



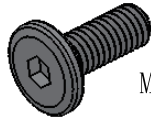
S4

16# 1X

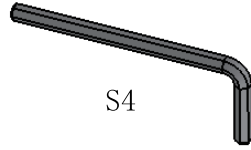




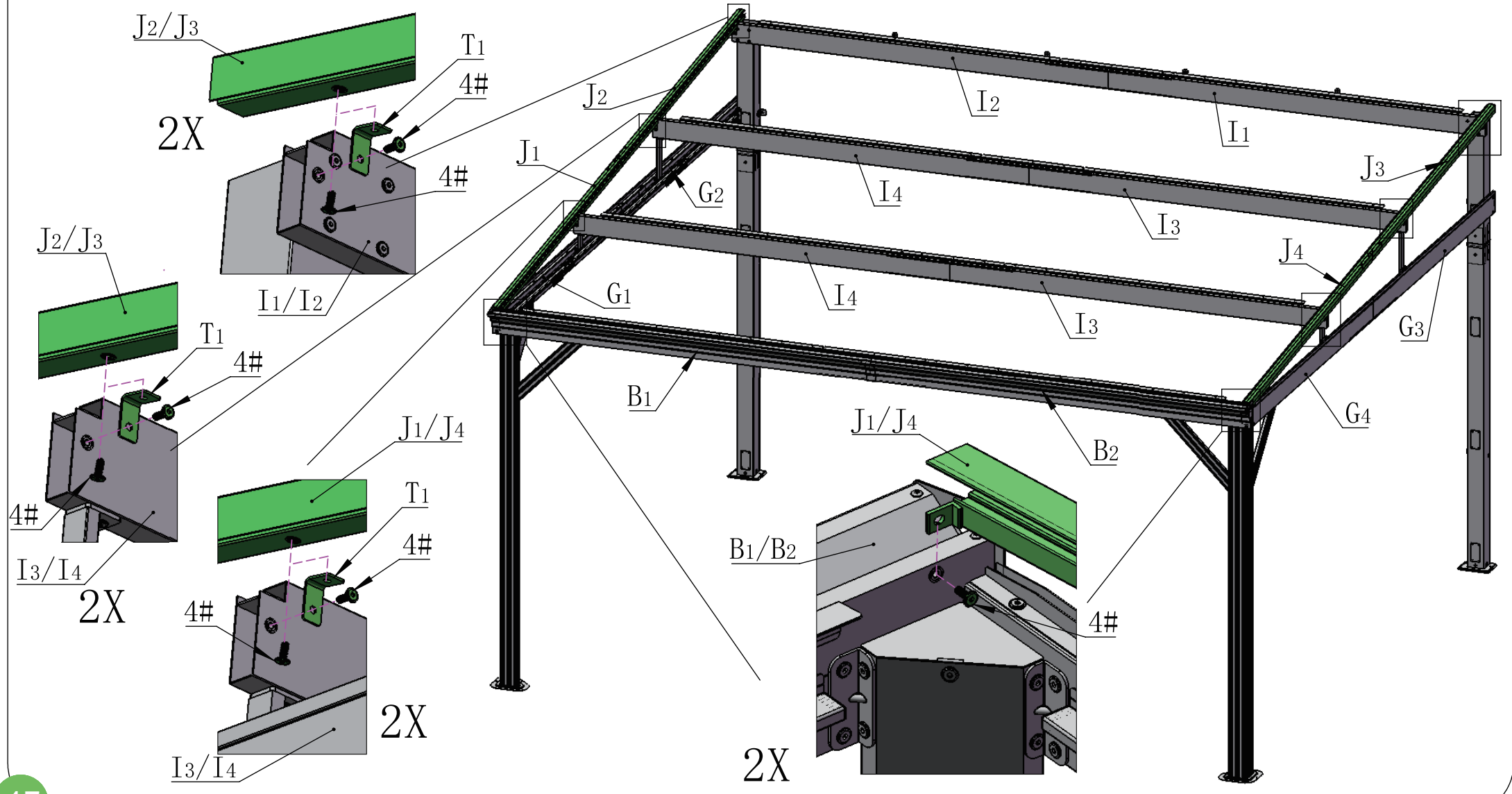
T1 6X



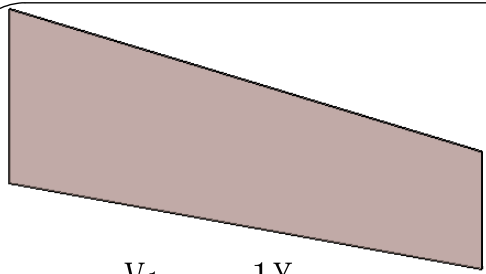
M6\*16  
4# 14X



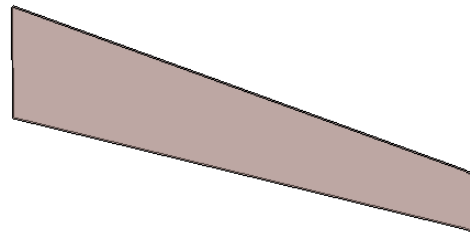
S4  
16# 1X



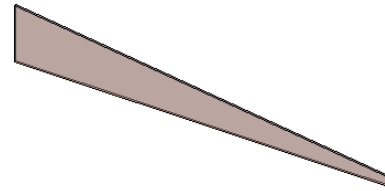




V1 1X



V3 1X



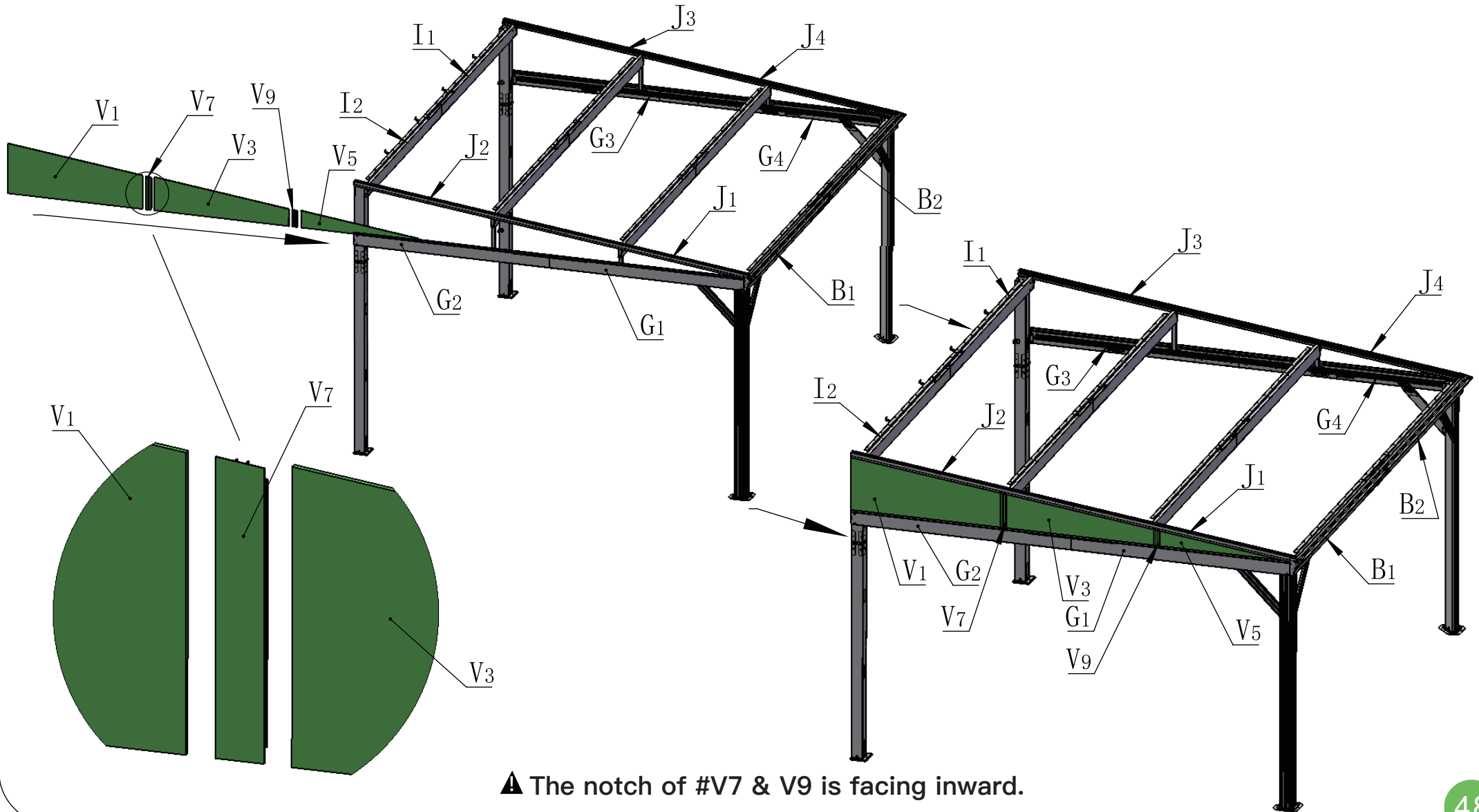
V5 1X



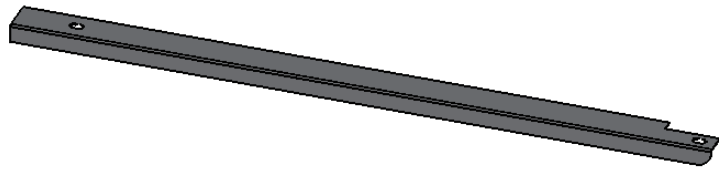
V7 1X



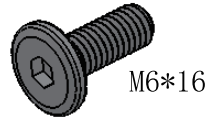
V9 1X



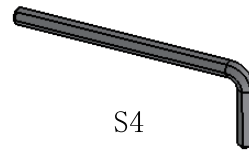
▲ The notch of #V7 & V9 is facing inward.



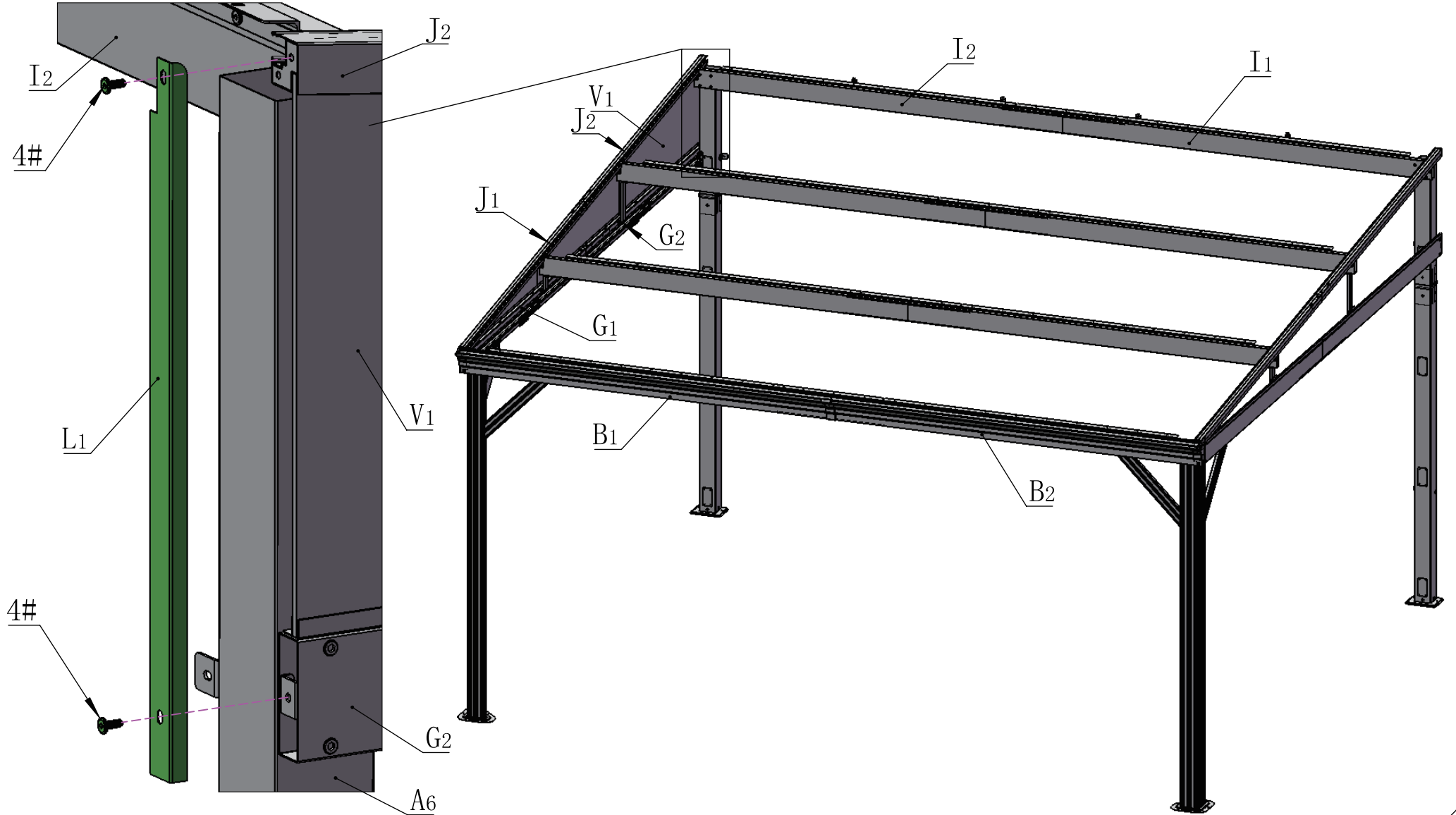
L1 1X

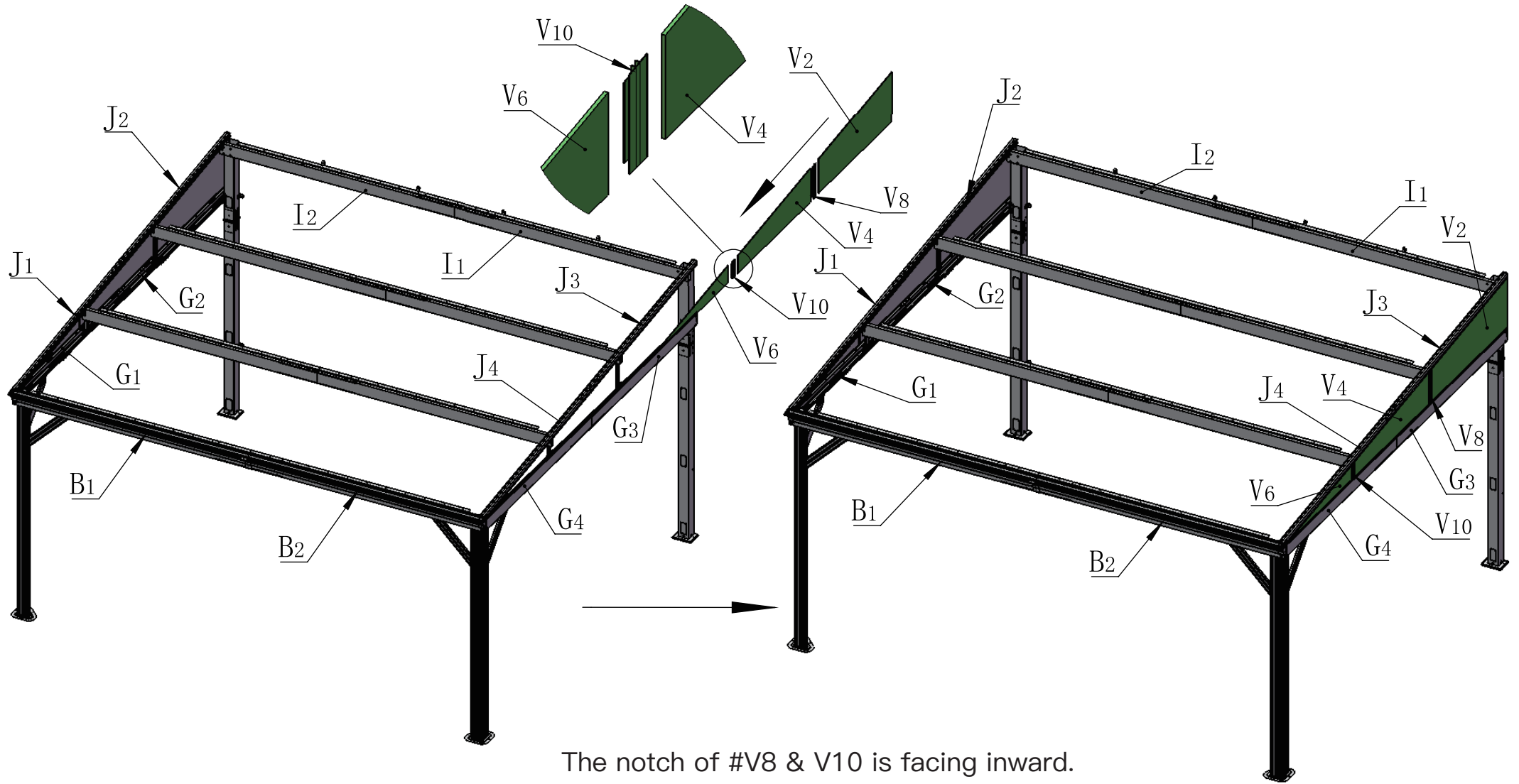
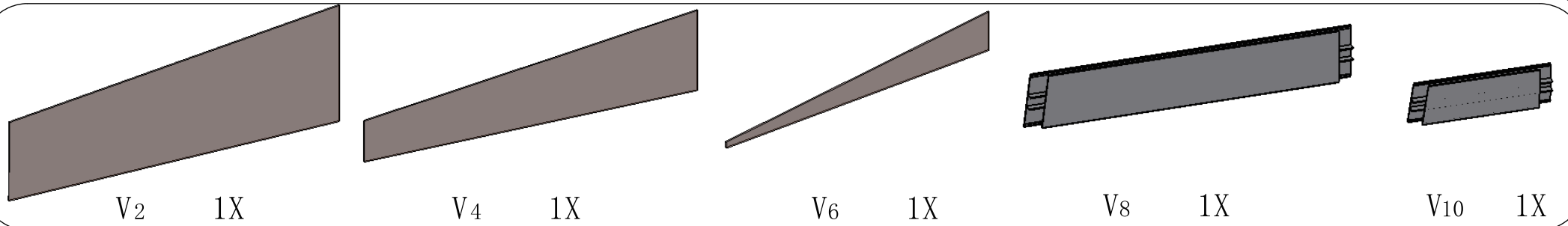


4# 2X

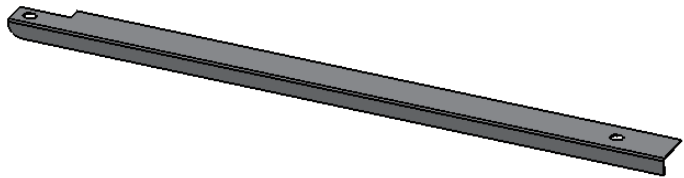


16# 1X

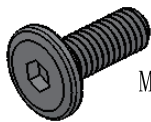




The notch of #V8 & V10 is facing inward.

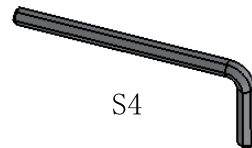


L2 1X



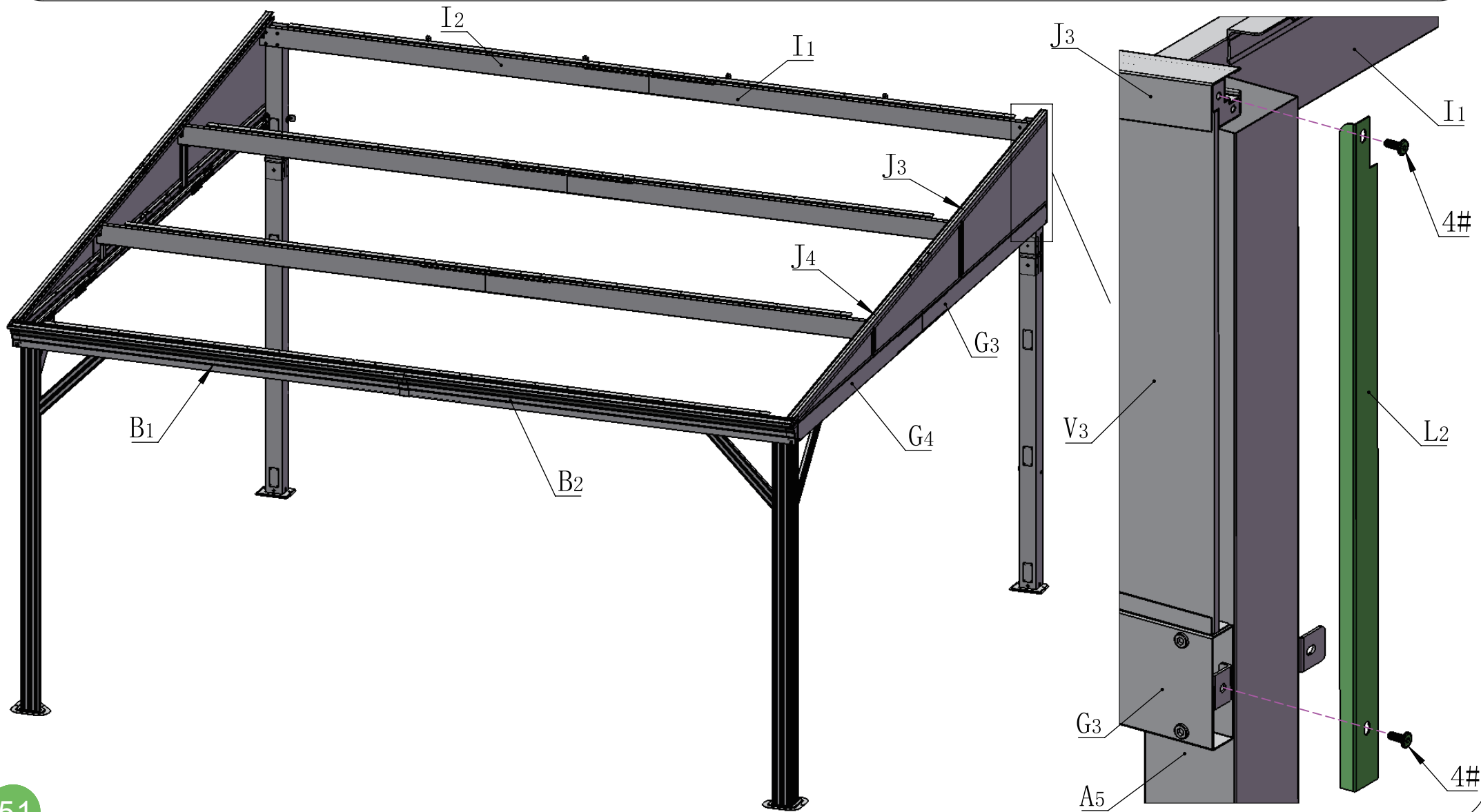
M6\*16

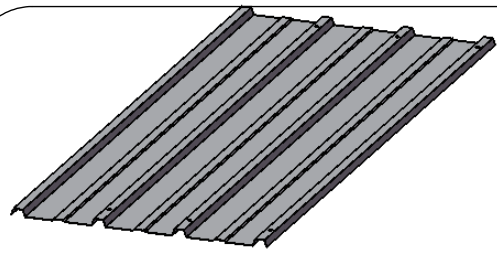
4# 2X



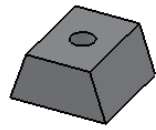
S4

16# 1X

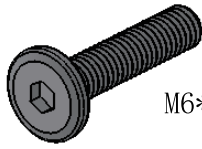




Y1 1X



X 2X



5#

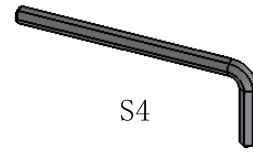
M6\*28

2X



11#

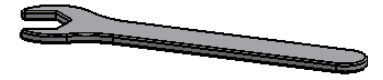
2X



S4

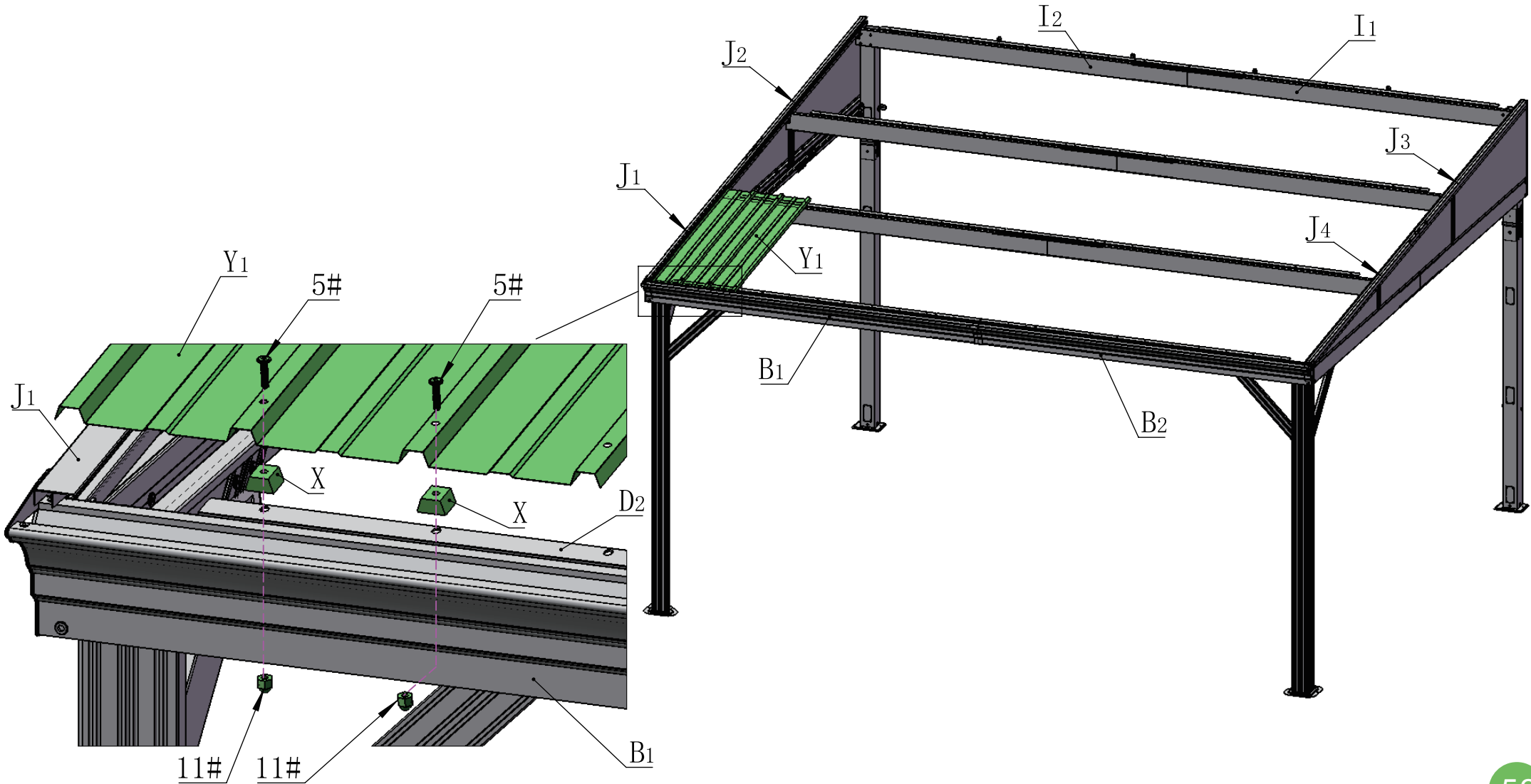
16#

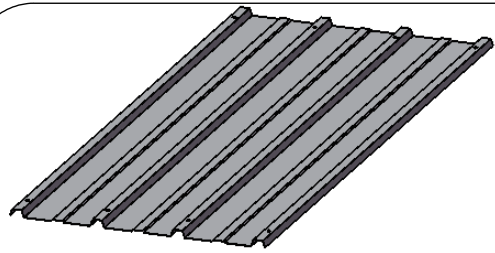
1X



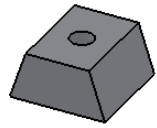
18#

1X

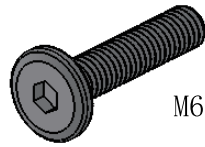




Y<sub>2</sub> 6X



X 18X

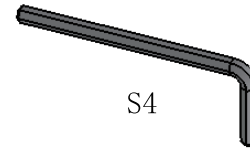


5#

M6\*28

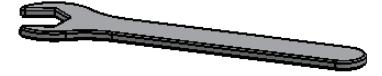


11#

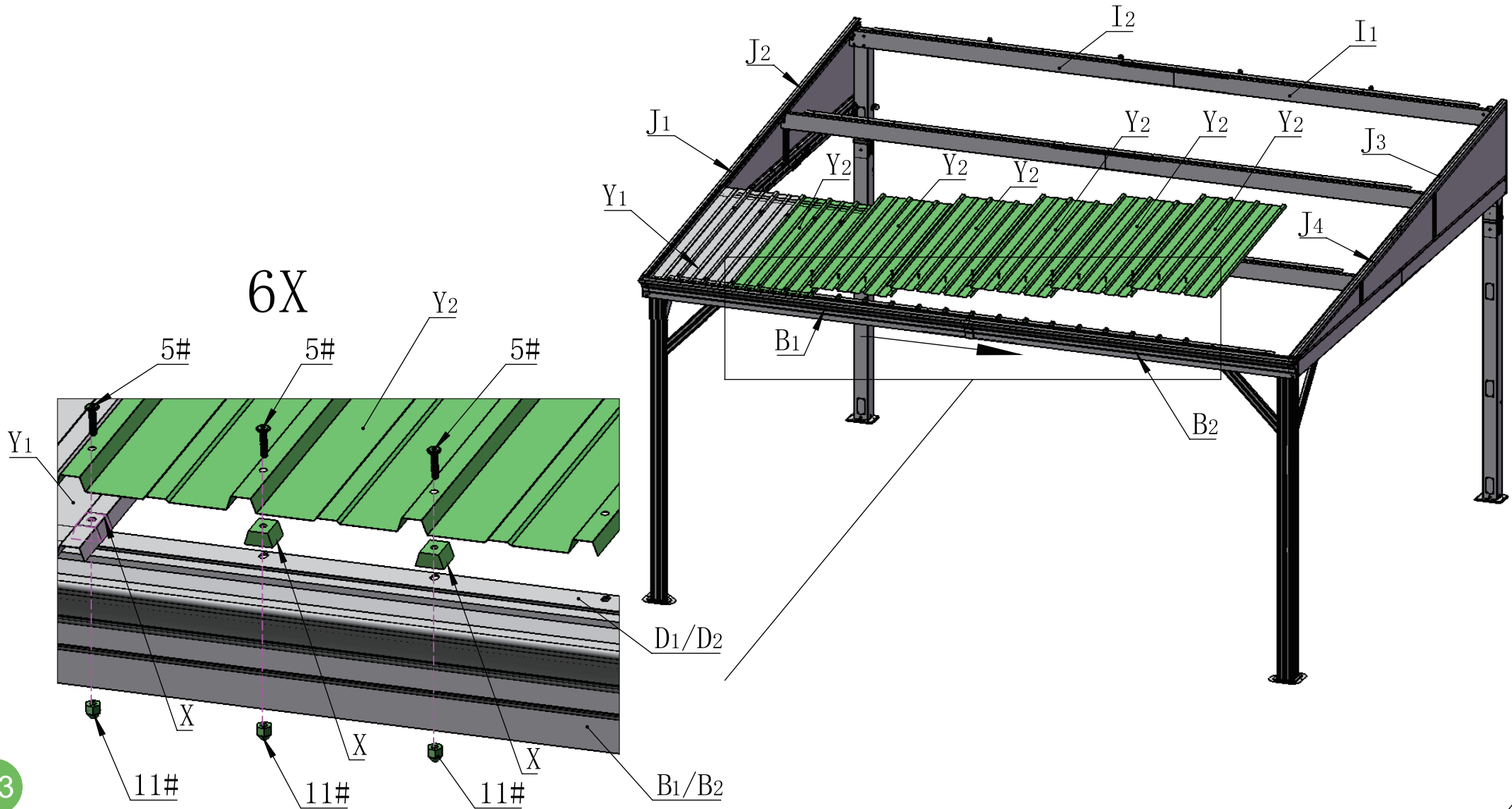


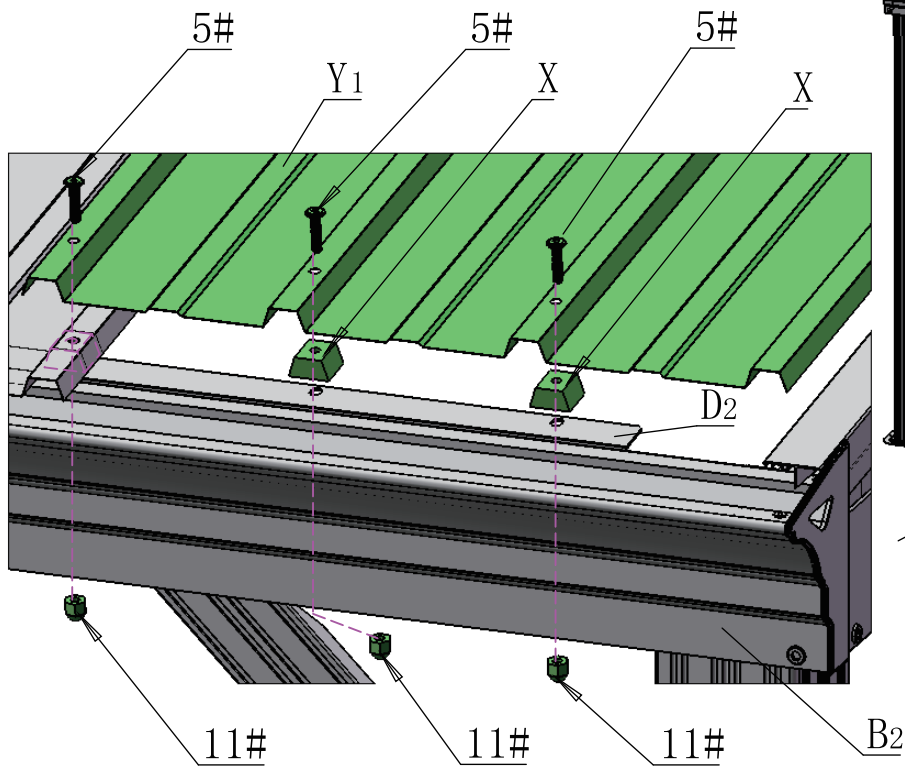
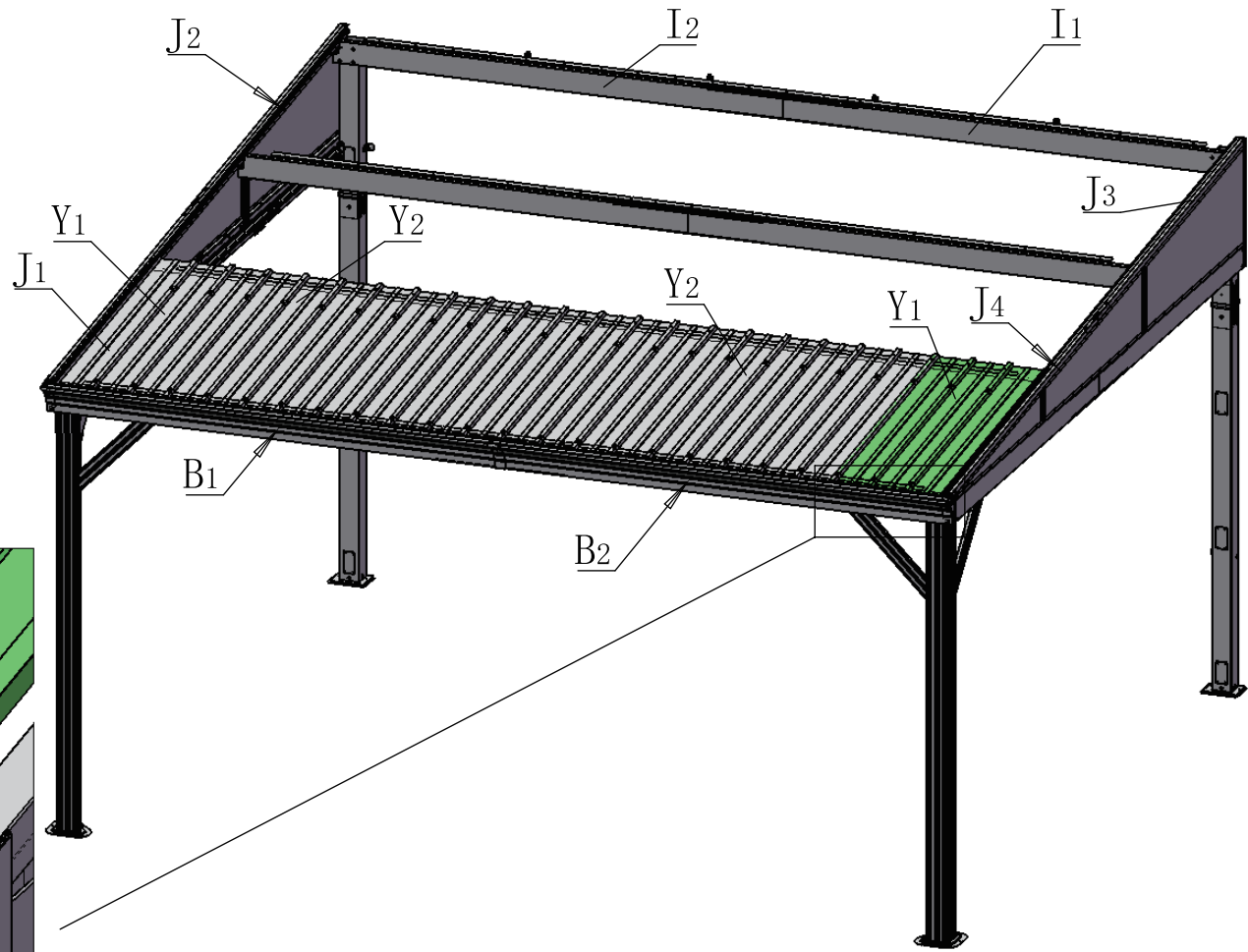
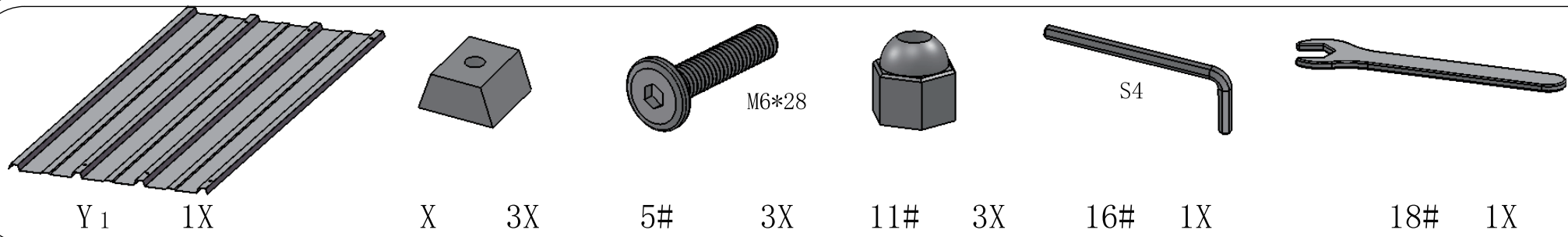
S4

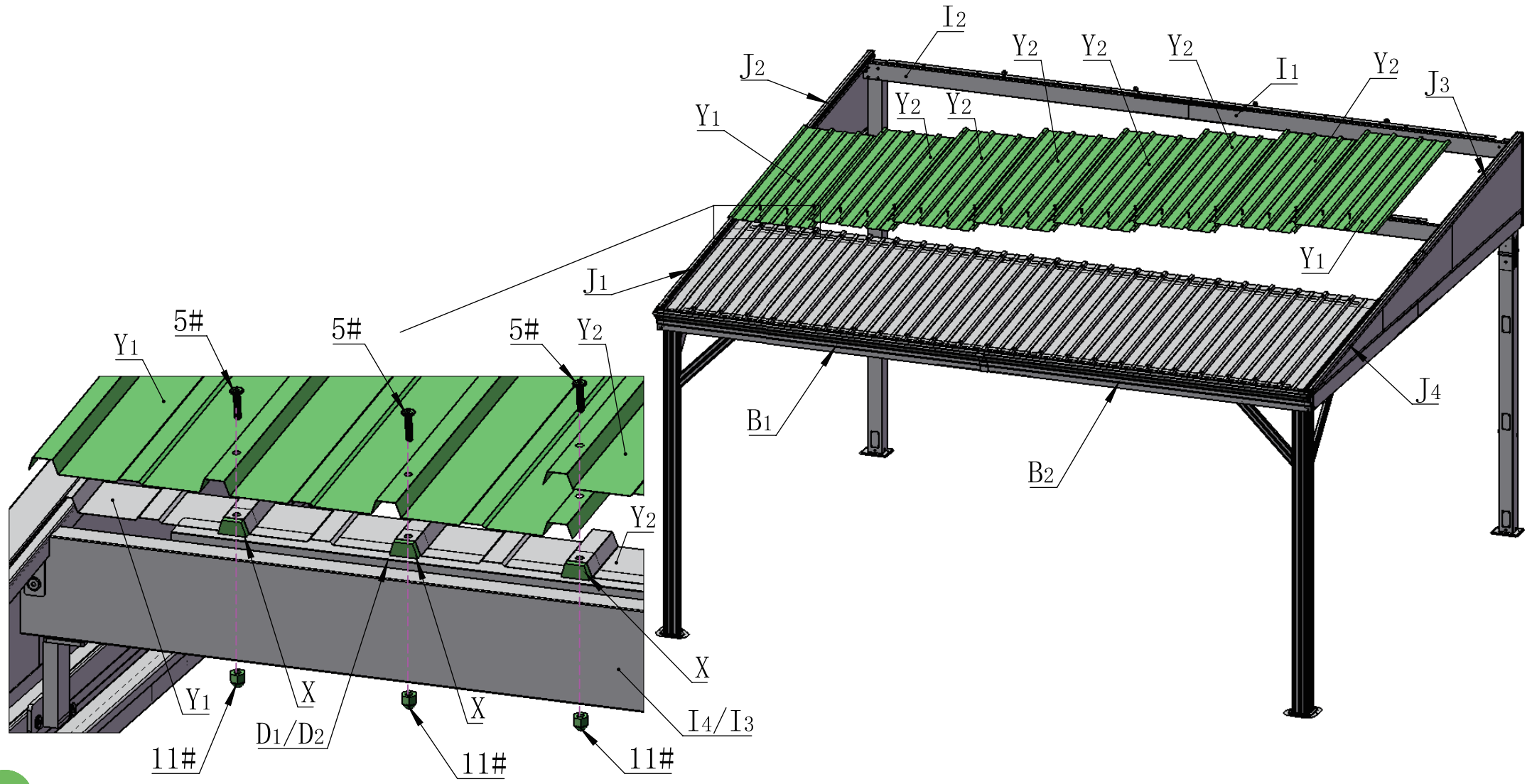
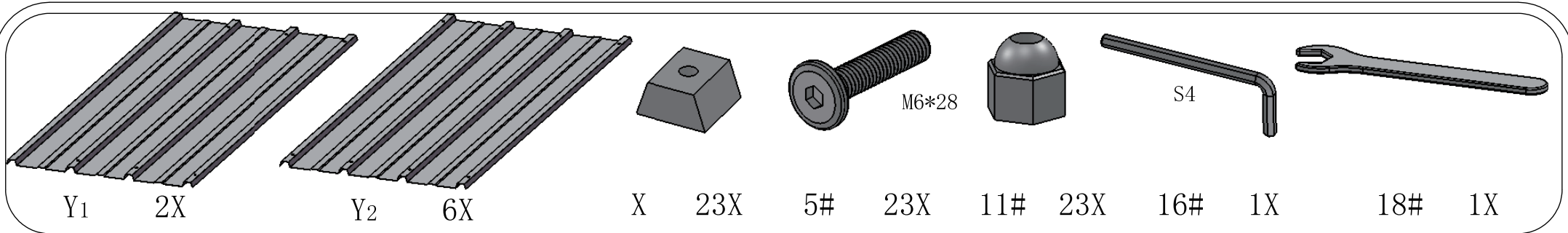
16# 1X



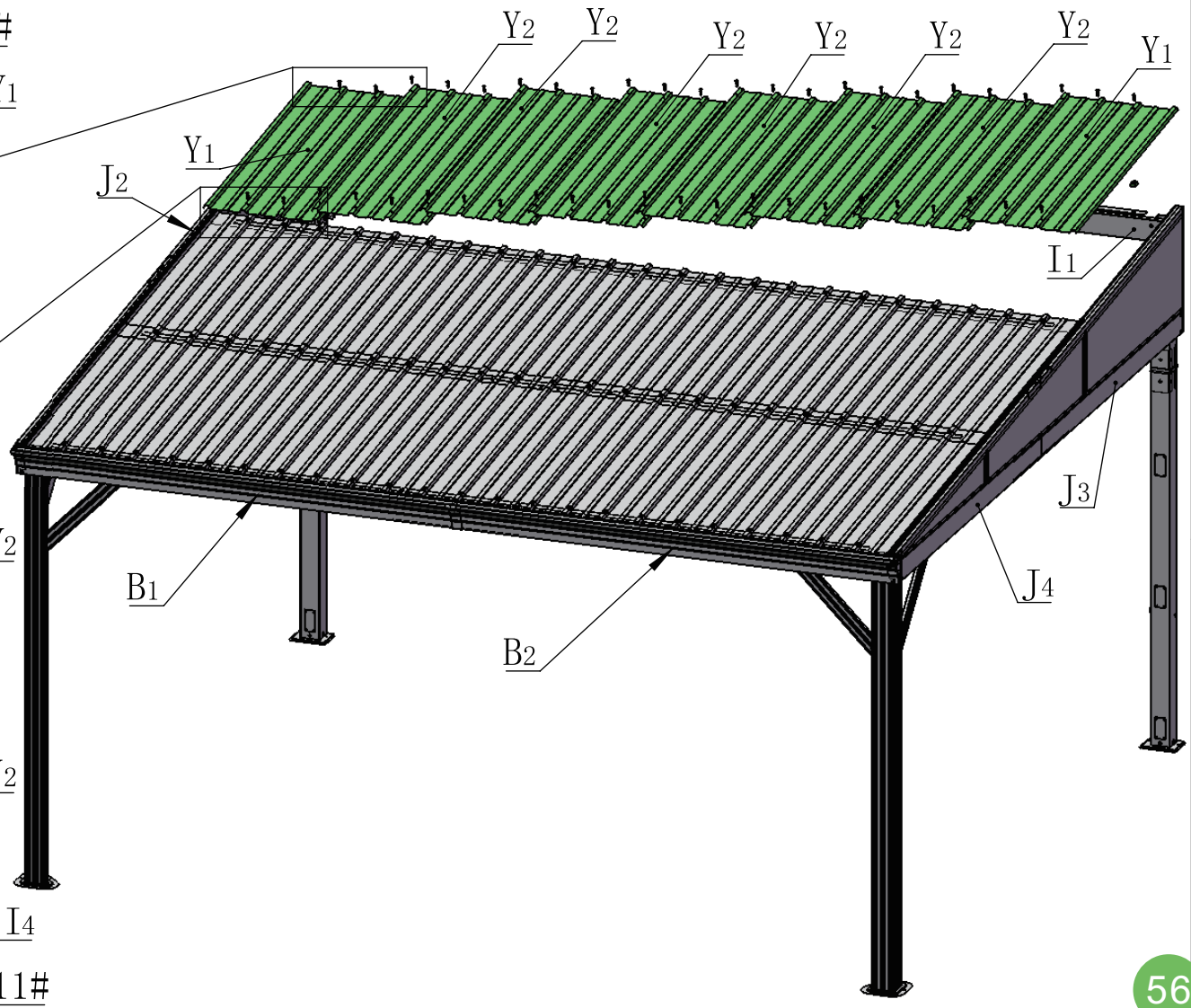
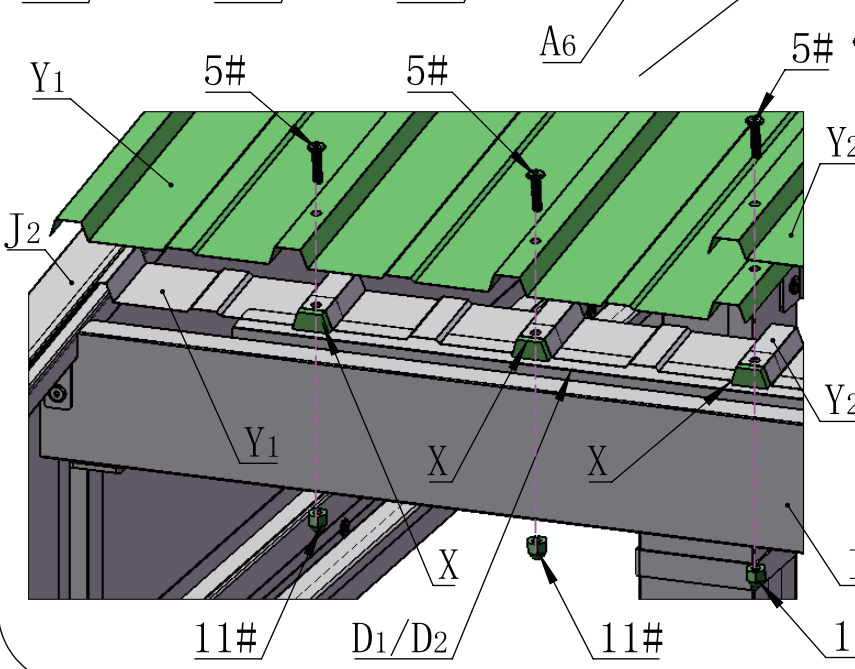
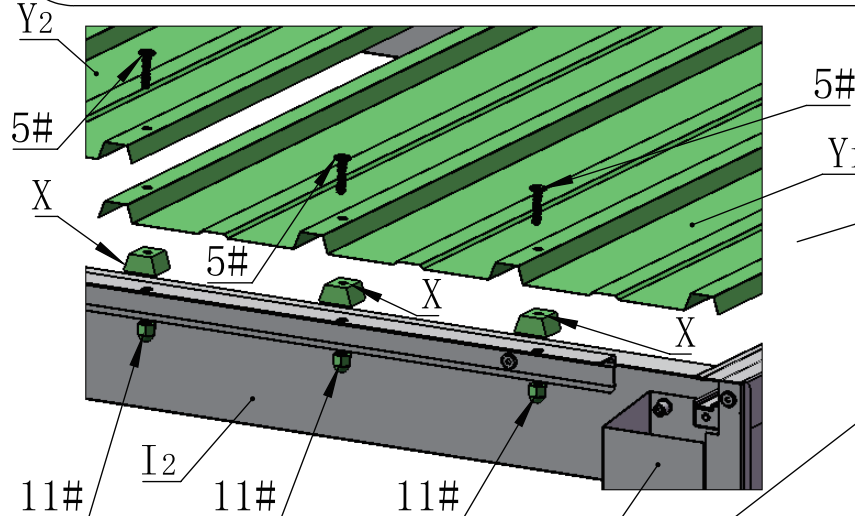
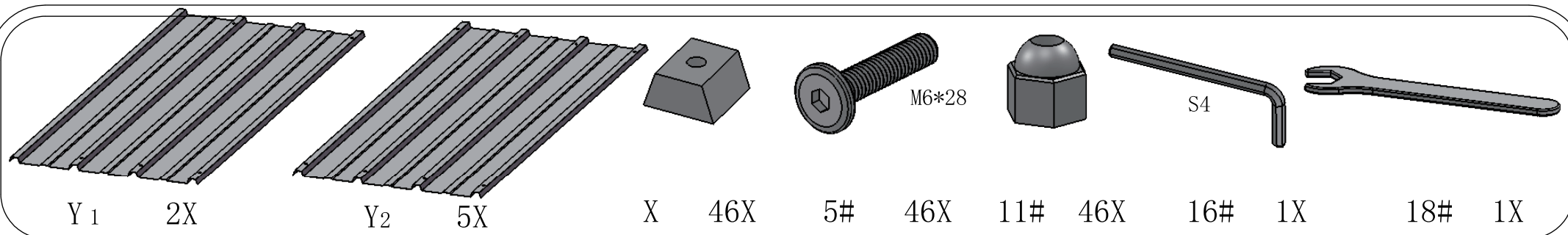
18# 1X

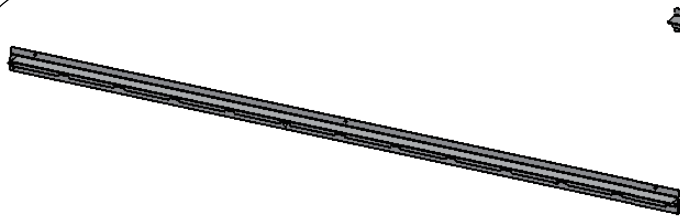




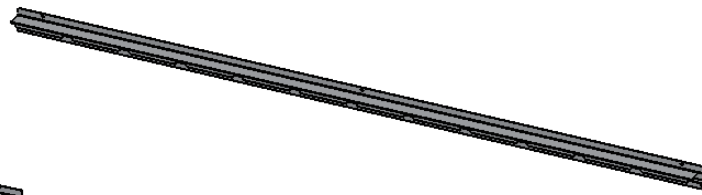




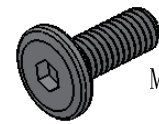




M1 1X

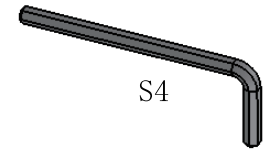


M2 1X



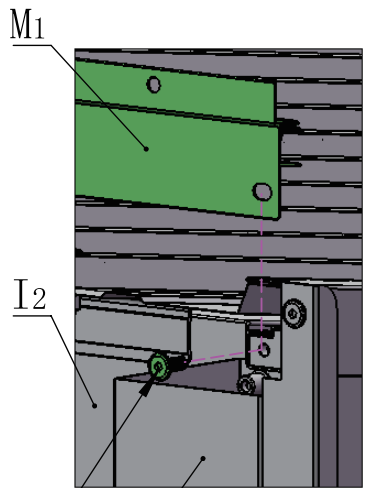
M6\*16

4# 6X



S4

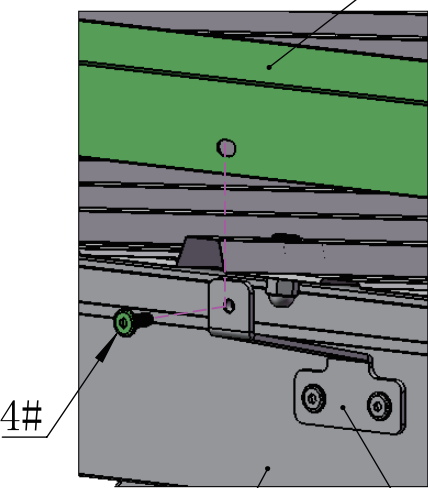
16# 1X



4#

A6

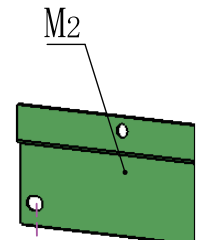
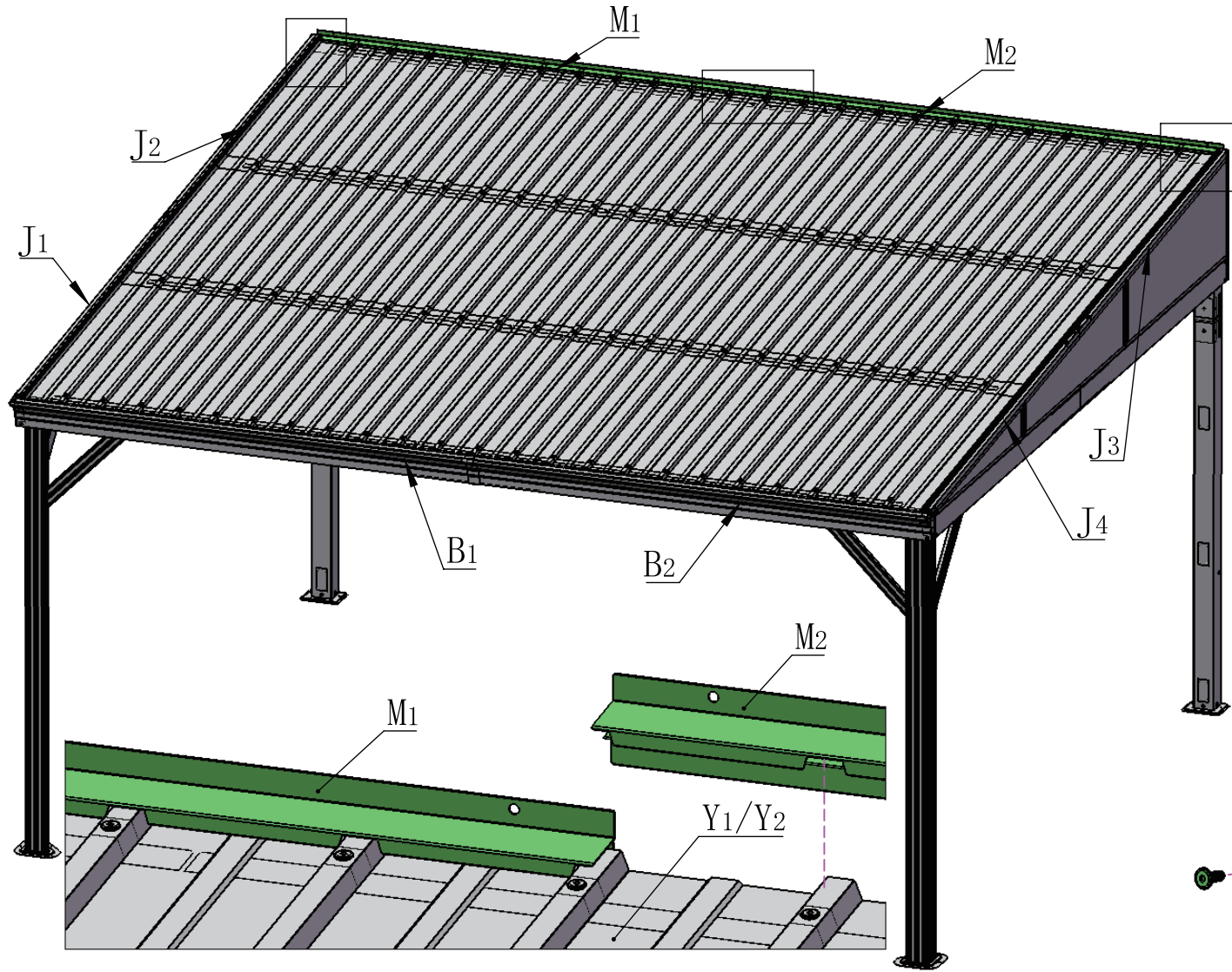
M1/M2



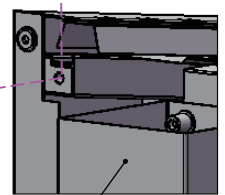
4#

I1/I2

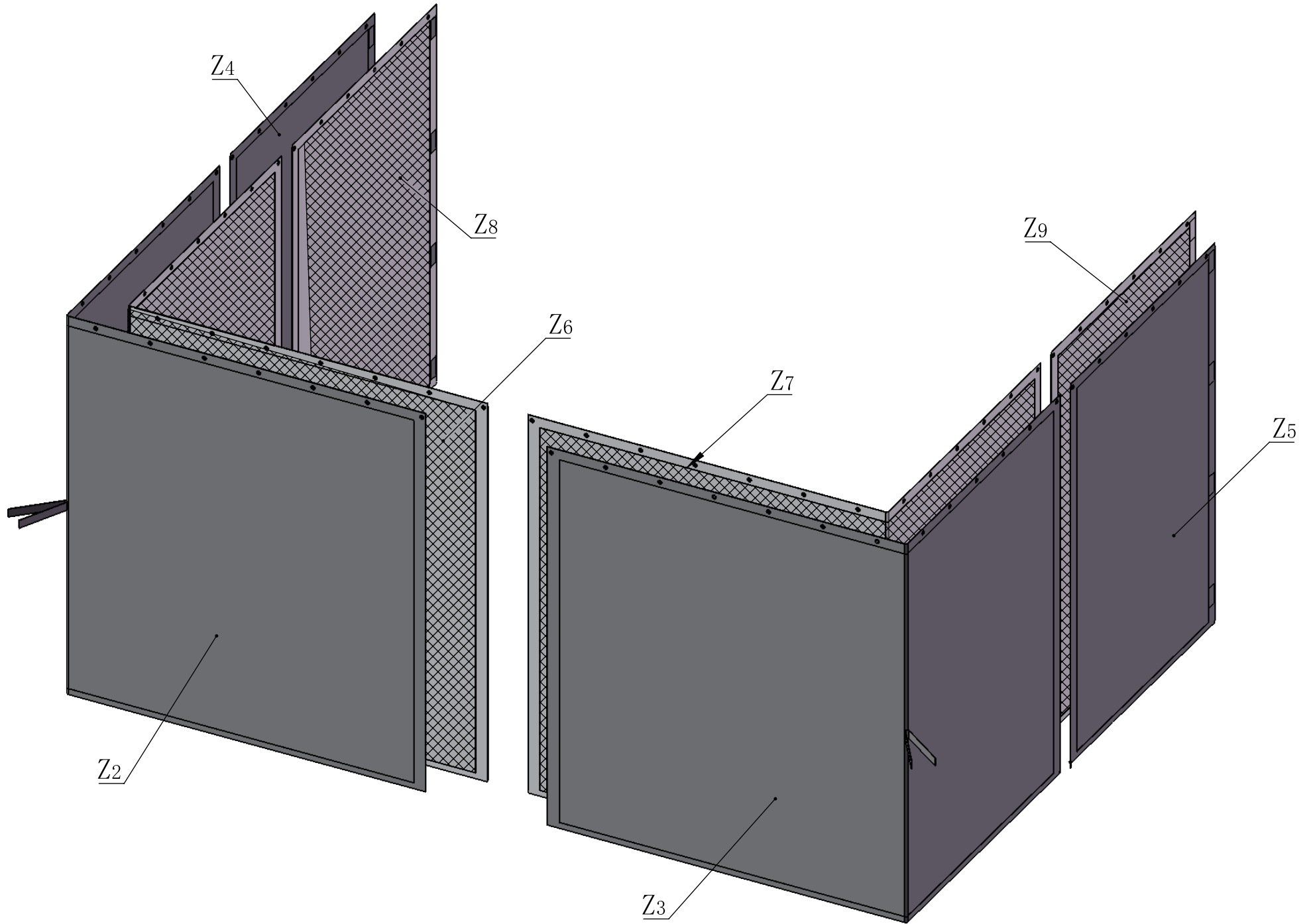
P

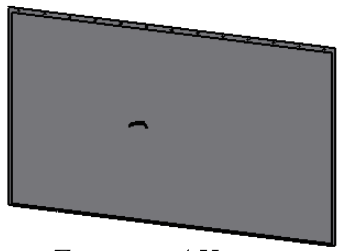


M2

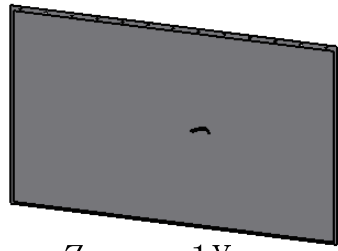


A5

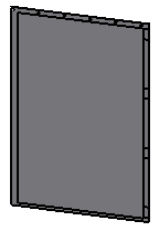




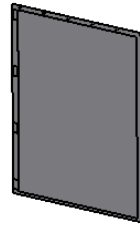
Z2 1X



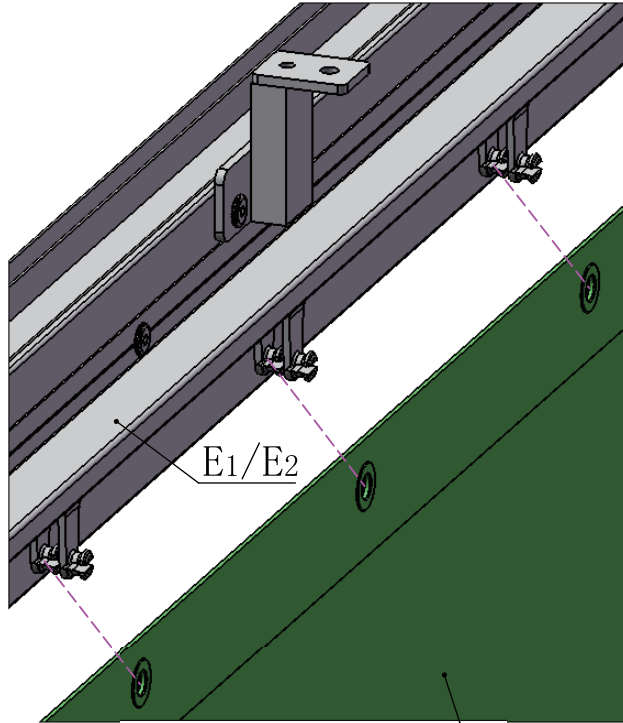
Z3 1X



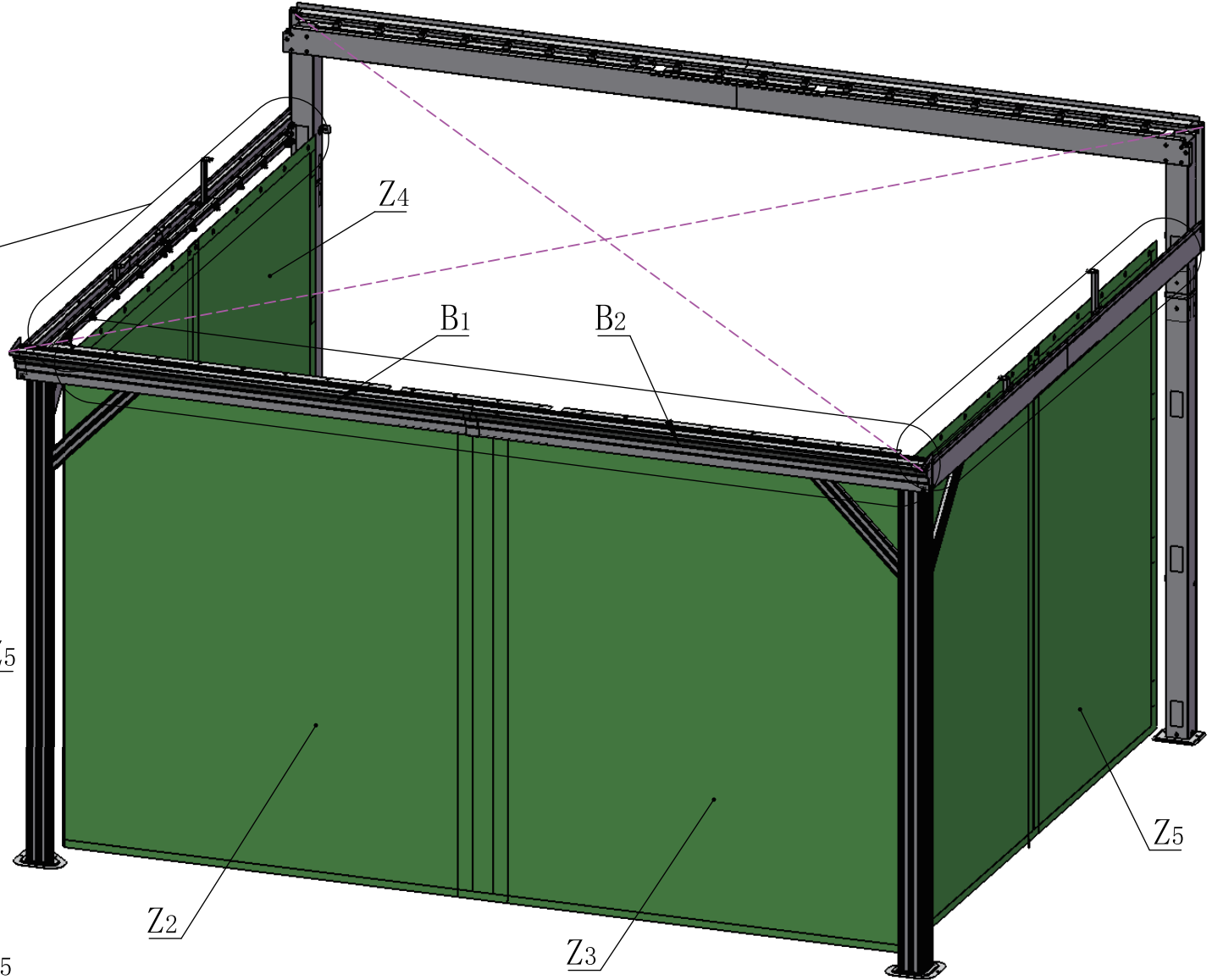
Z4 1X



Z5 1X



E1/E2



Z4

B1

B2

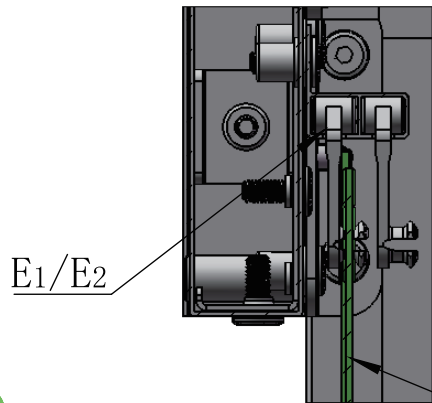
Z5

Z2

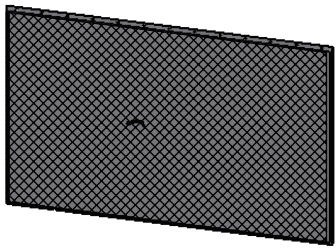
Z3

Z2/Z3/Z4/Z5

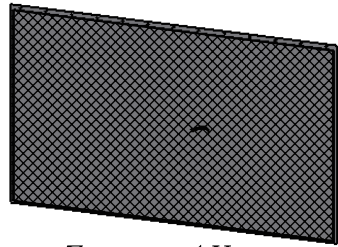
Z2/Z3/Z4/Z5



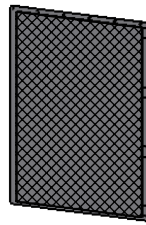
E1/E2



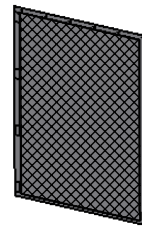
Z6 1X



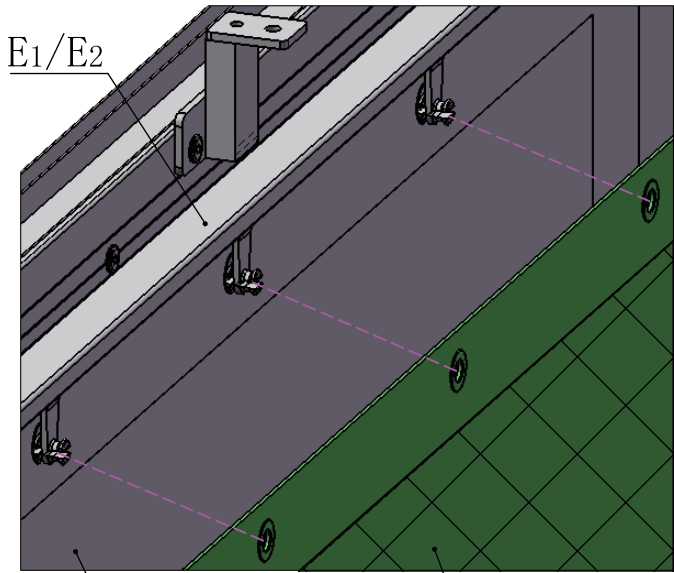
Z7 1X



Z8 1X



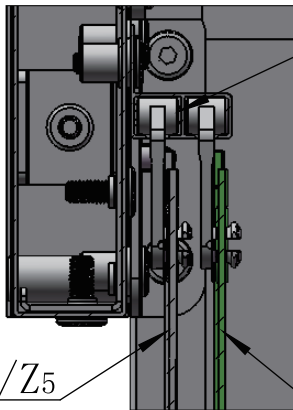
Z9 1X



E1/E2

Z2/Z3/Z4/Z5

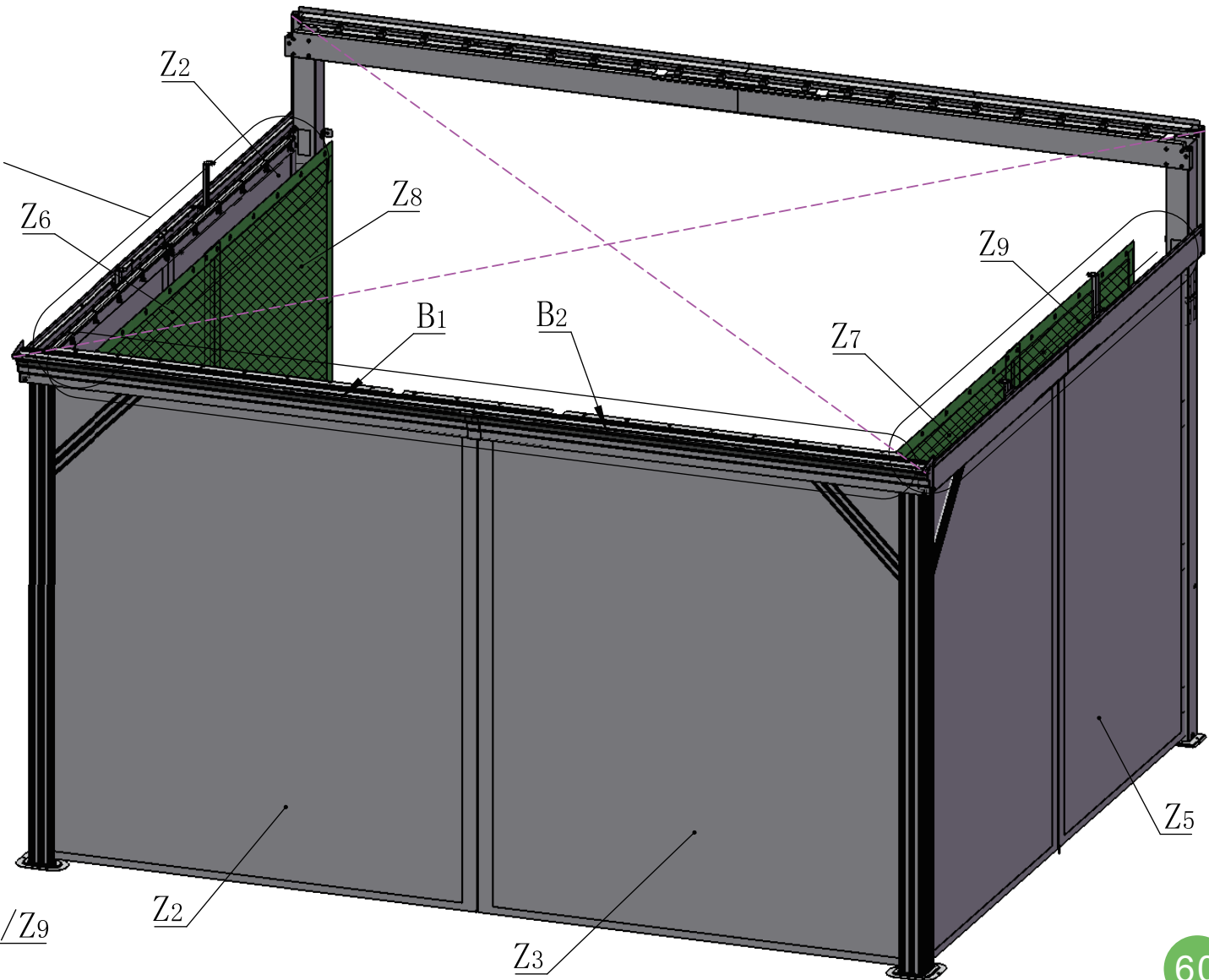
Z6/Z7/Z8/Z9



E1/E2

Z2/Z3/Z4/Z5

Z6/Z7/Z8/Z9



Z2

Z6

Z8

Z9

Z7

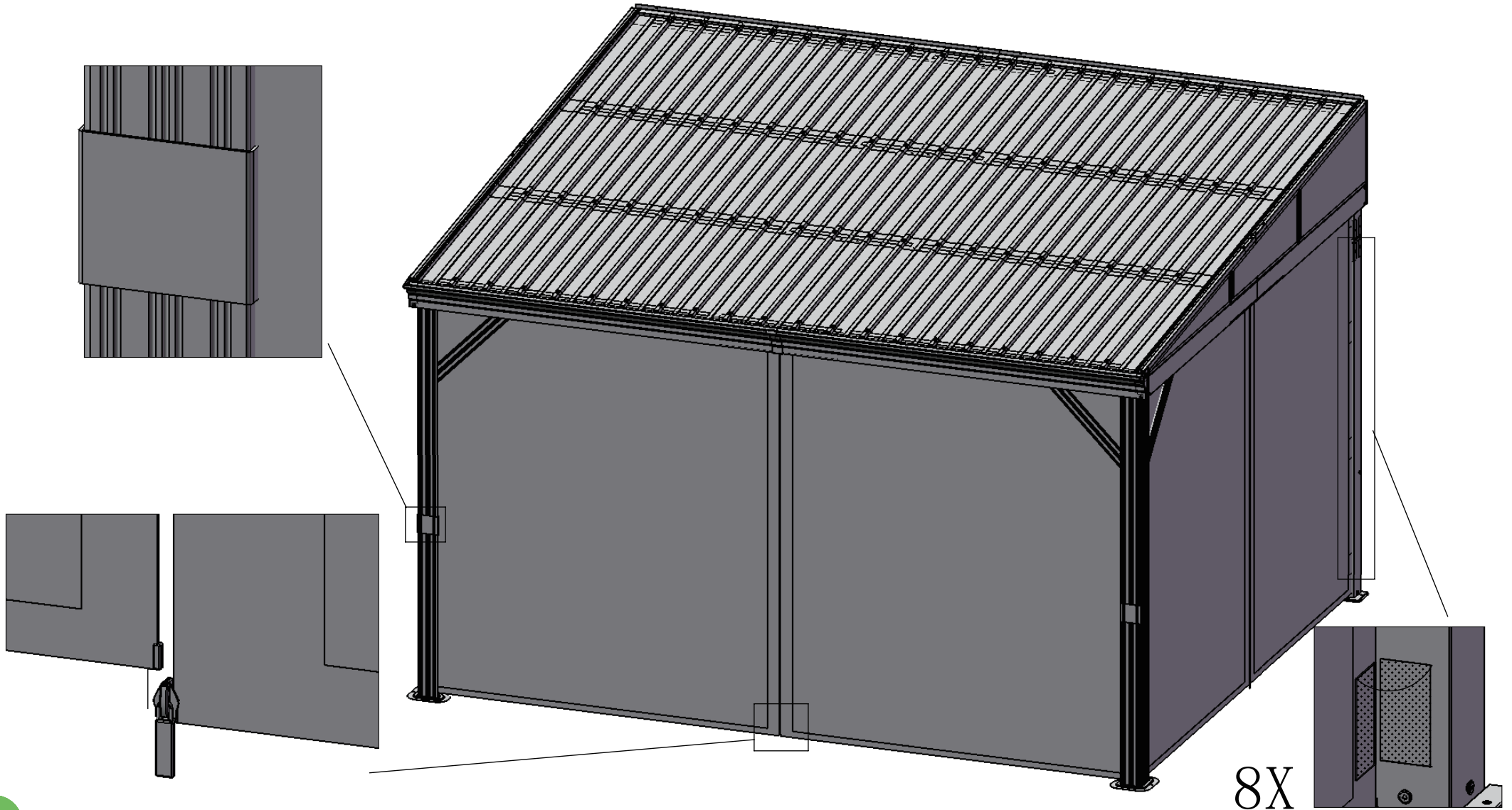
B1

B2

Z5

Z2

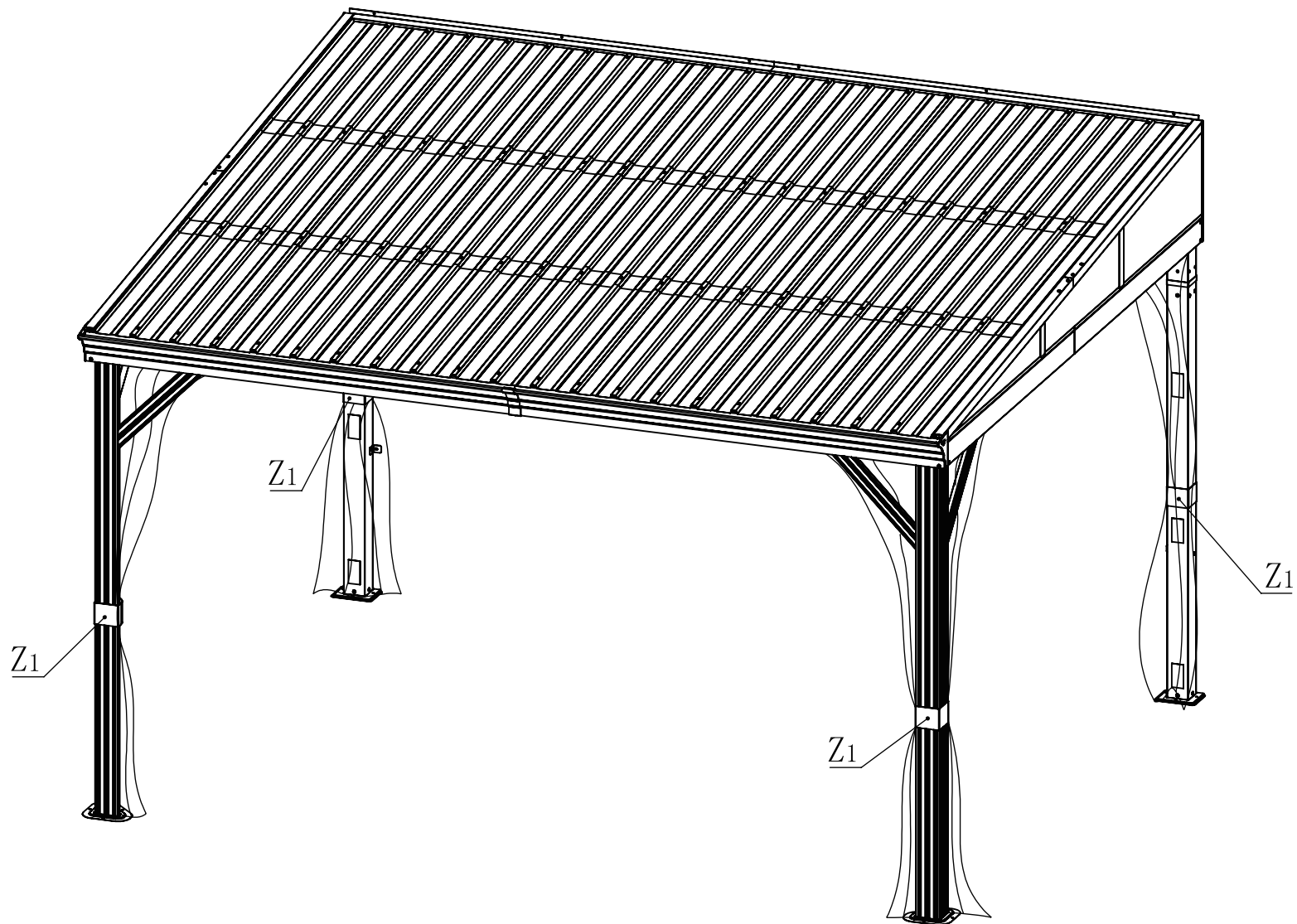
Z3

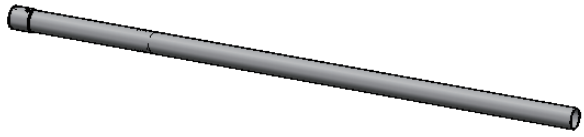


8X

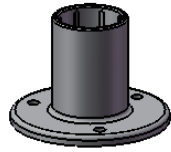


Z1 4X

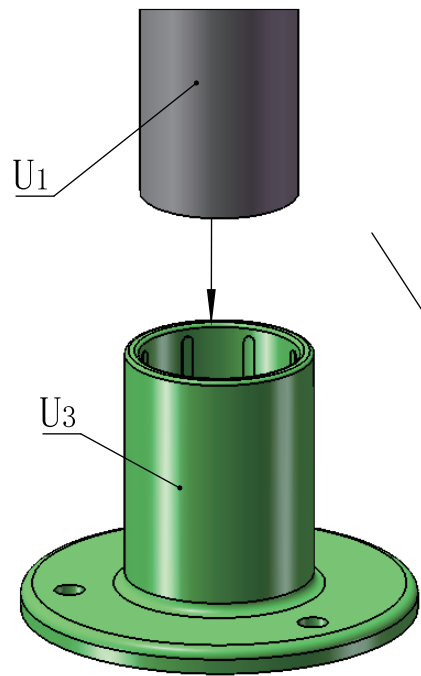




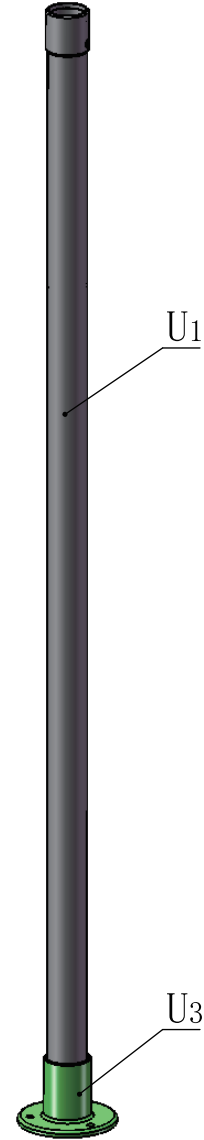
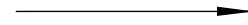
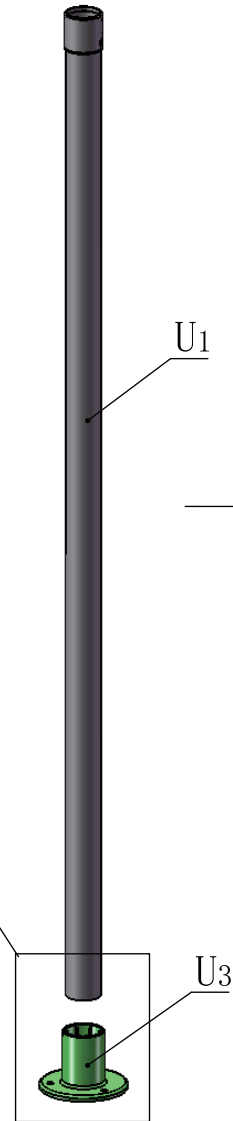
U<sub>1</sub> 2X



U<sub>3</sub> 2X



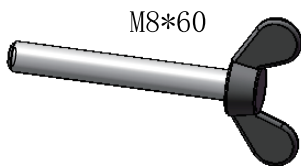
2X







U2 2X



12# 2X

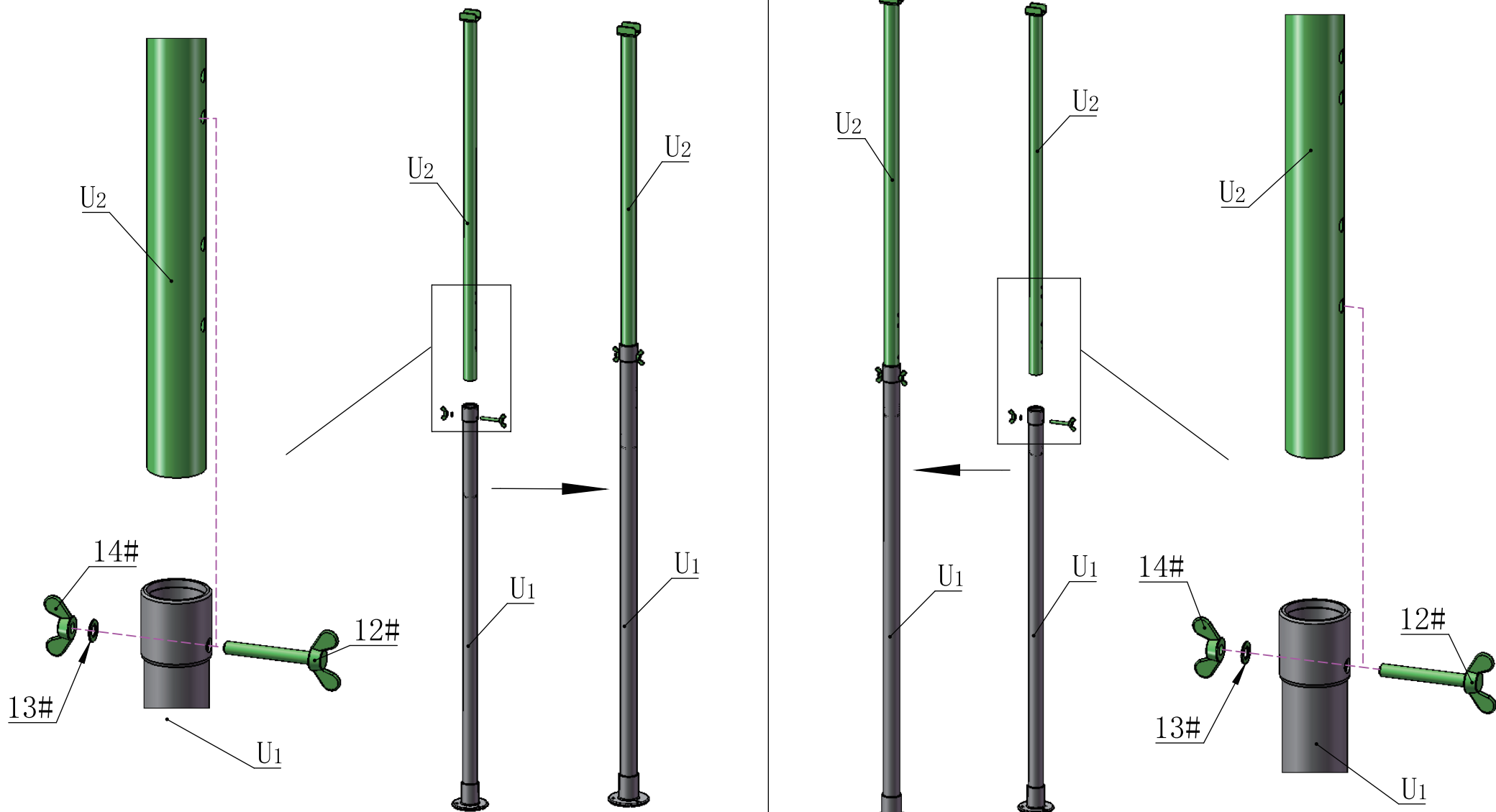


13# 2X

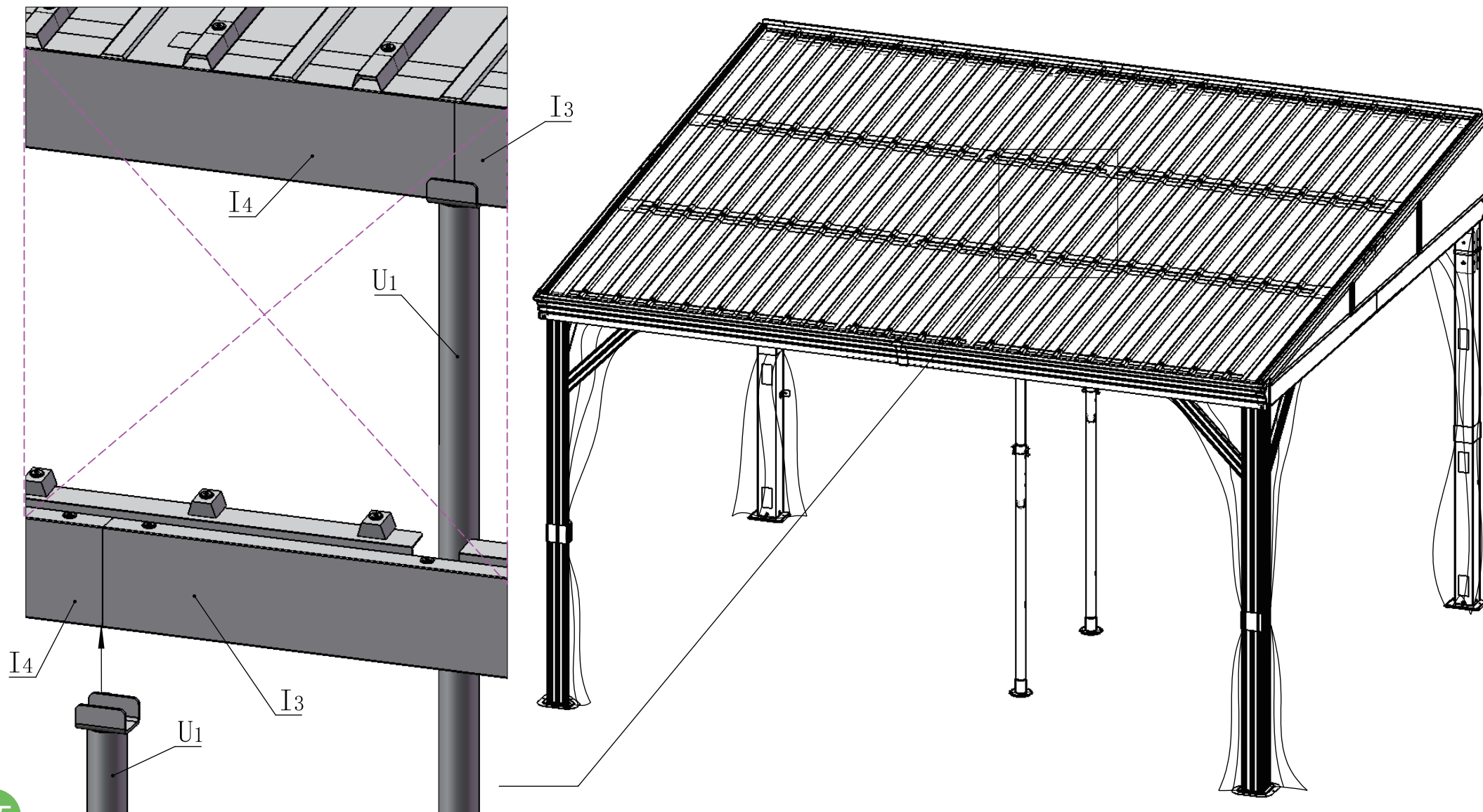


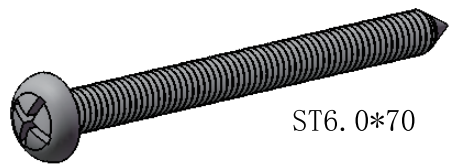
14# 2X

M8



The two support tubes can strengthen the weight capacity of the metal roof. In bad weather, especially snowstorm, they are essentially needed to prevent the roof from collapsing under heavy snow. In daily life, you can put them away.

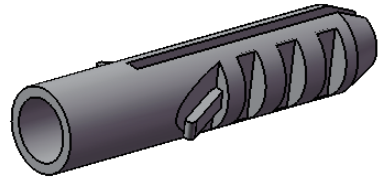




ST6.0\*70

9#

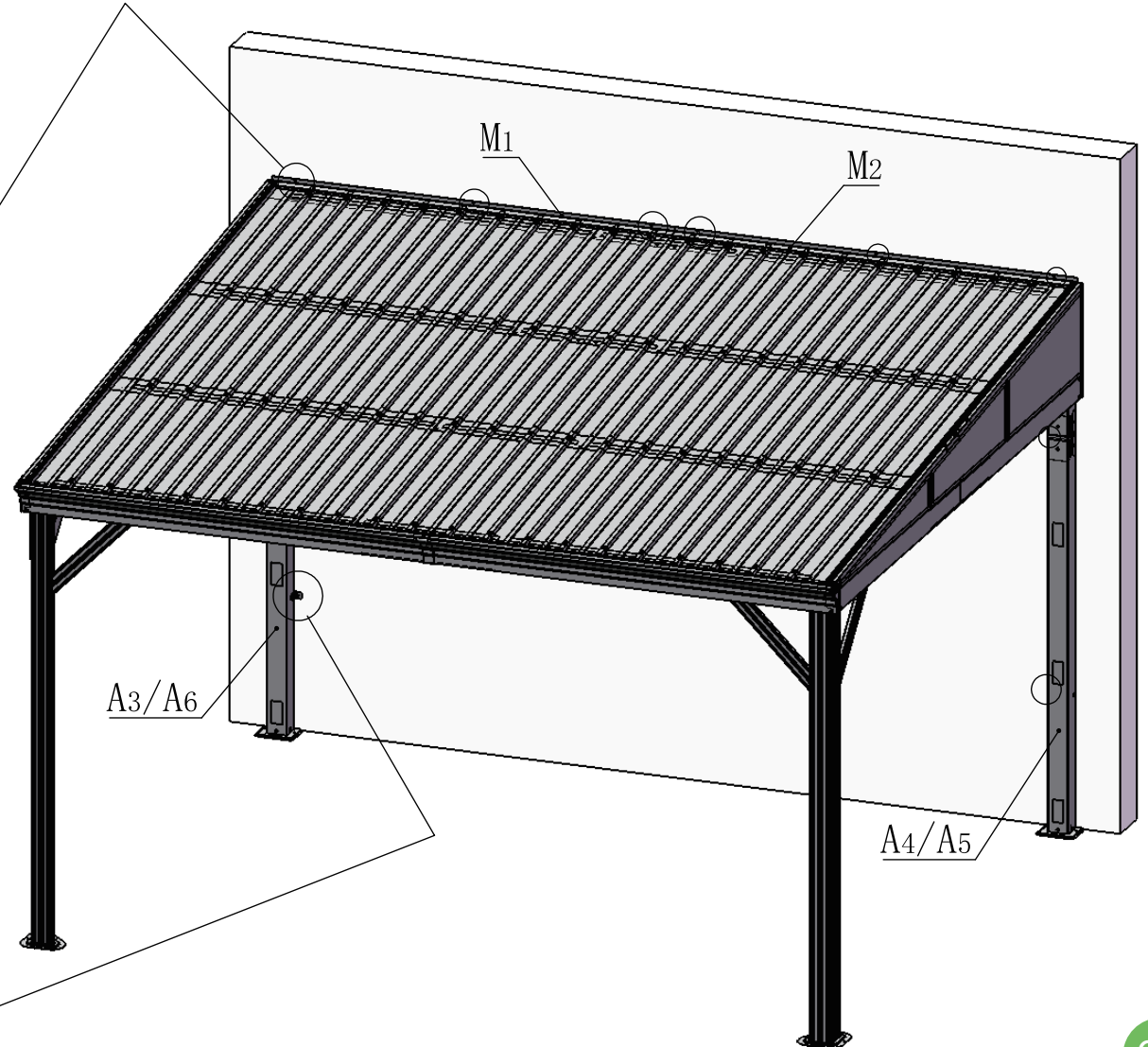
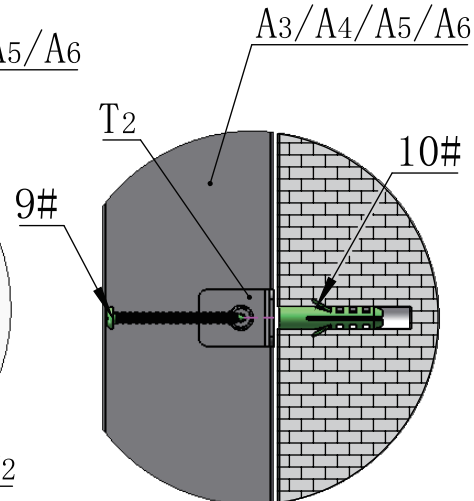
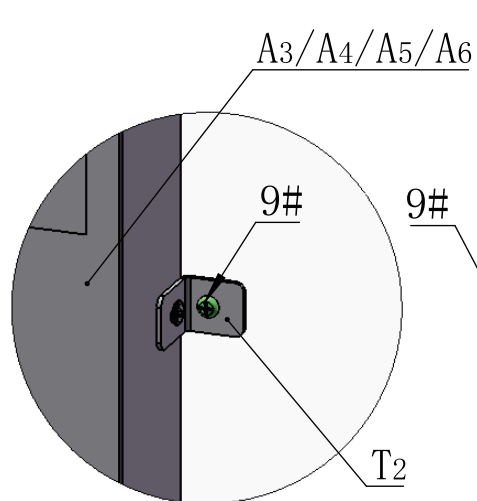
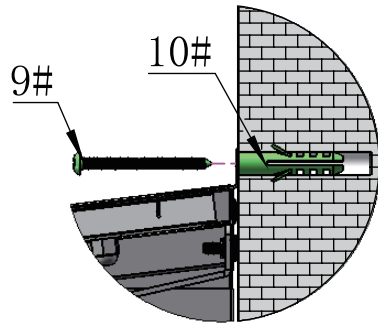
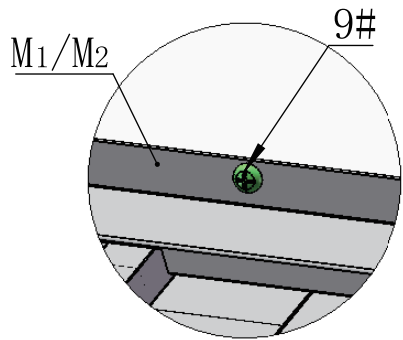
10X



10#

10X

Install this step if you need fix the canopy to the wall  
(you need to drill holes into the wall).  
Otherwise please skip this step.



# Care and Cleaning

Wash frame parts and fabric with mild soap and water, rinse thoroughly.

Dry frame completely and allow the fabric to drip dry.

Do not use bleach, acid, or other solvents on the fabric or frame parts.

Please inspect and tighten all bolts or fasteners on a regular basis to ensure proper performance and safety of your gazebo.

# Warranty

## Frames

Frames constructions are warranted to be free from defects in material and workmanship for 1 year from item purchased. Damage to frame from negligence won't be covered by this warranty.

## Netting

Netting are warranted to be free from defects in material and workmanship for 1 year from item purchased. Damage from exposure to chemicals (including but not only oils ,spills, fluids) won't be covered by this warranty.

## Bolts & nuts

Bolts and nuts are warranted to be free from defects in material and workmanship for 1 year from item purchased. Damage from exposure to chemicals (including not only oils ,spills, fluids) won't be covered by this warranty.

## Warranty Limitation

This warranty is for the original purchase order only. (Order number required). This warranty is non-transferable. Domi outdoor living is responsible for the free replacement part including shipping charges for the 1 year warranty.

## Warranty Exclusion

This warranty does not cover products subject to negligence, abuse usage, inappropriate installation. Domi outdoor living reserves the right to explain warranty exclusions. When the replacement item is applied, the 1 year warranty automatically expires. Please feel free to contact us for applying warranty.



RESORT COMFORT IN YOUR  
OWN BACKYARD

**Support:**



Email: [service@domioutdoorliving.com](mailto:service@domioutdoorliving.com)

Please tell us your order ID when contact.

Attach photos of damaged part for instant reply.