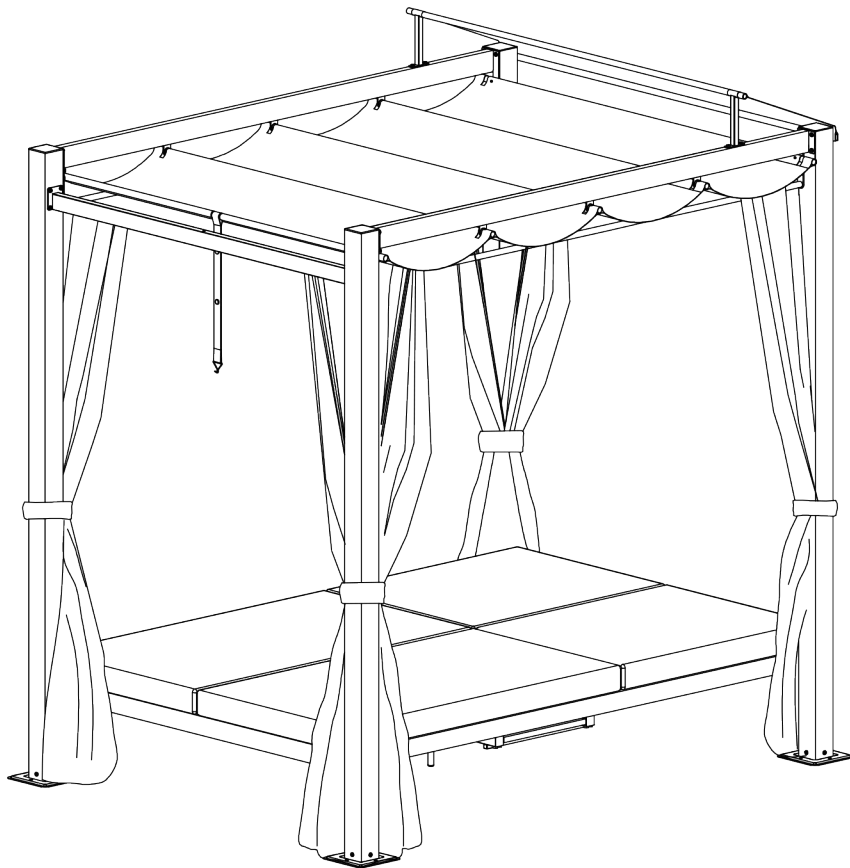




Outdoor Double Chaise Lounge with Retractable Canopy and Curtains

ASSEMBLY MANUAL



MODEL# : LGMF1603

Missing part? Damaged? Contact us via email at

service@domioutdoorliving.com

Pre-assembly



1. Two or more people are required for assembly.



2. You will need one or more stepladders.



3. Wearing protective gloves is recommended.



4. You may need a safety hat.



5. Please use a Phillips screw driver.



6. For ease of construction, you may need a drill.



7. You may need a safety goggle.



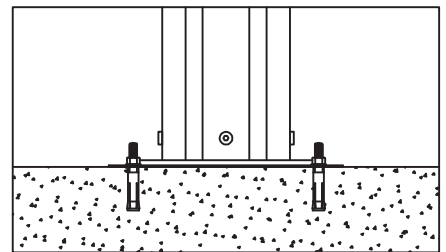
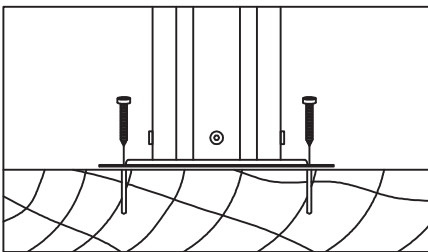
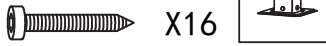
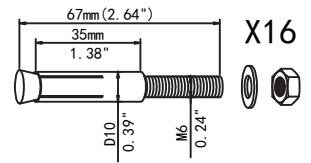
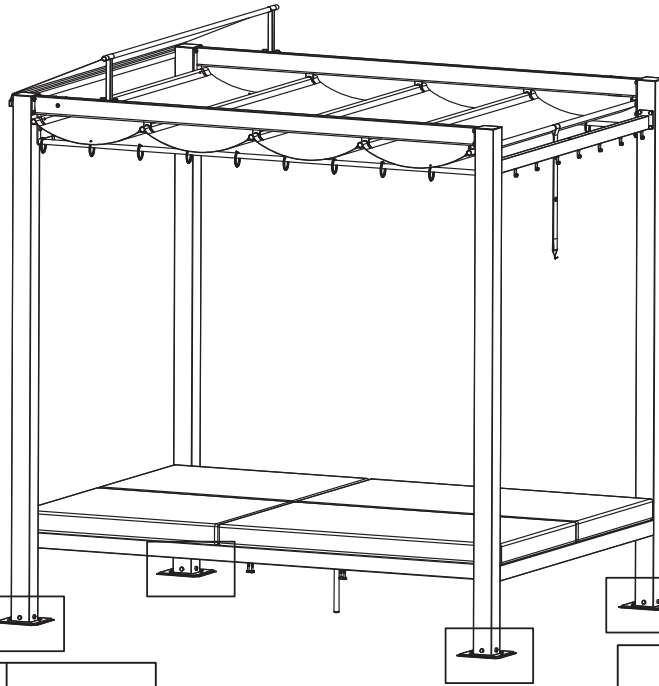
8. Do not fully tighten screws prior to complete assembly.

Warning & Attention

-Try to assemble this product on the flat ground, otherwise it is difficult to carry out;

-It would be much easier to assemble the product with three or more people;

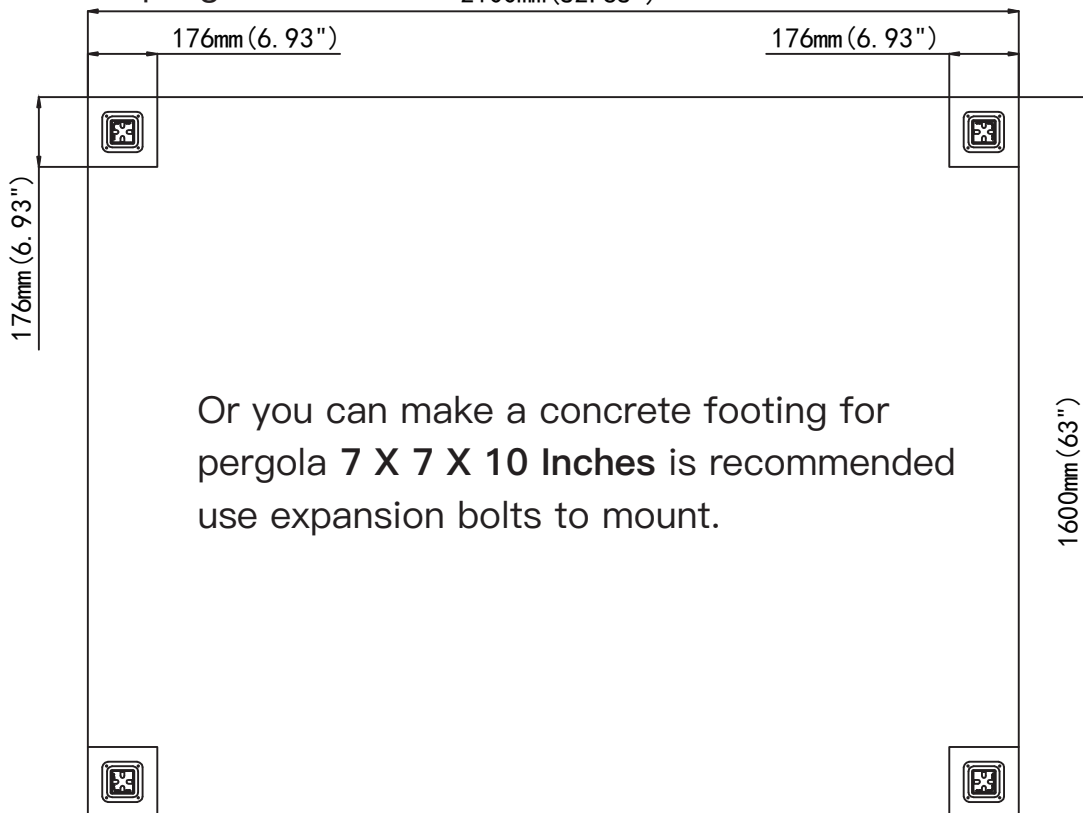
-After assembly, please check whether all screws are tightened, to prevent parts from falling apart.



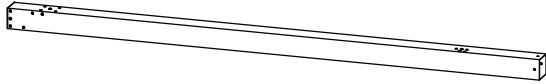
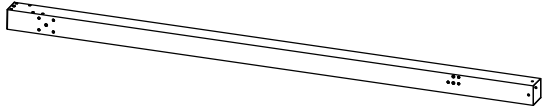
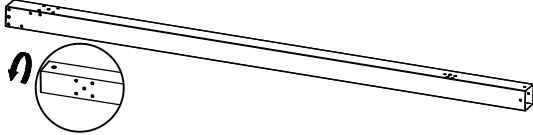
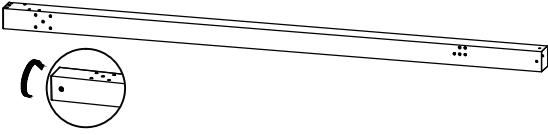
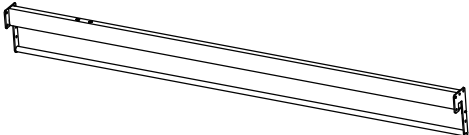
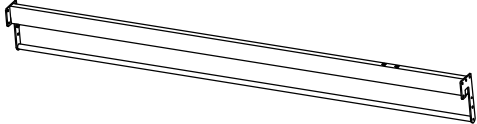
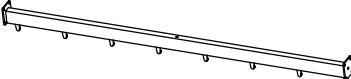





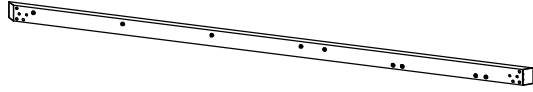
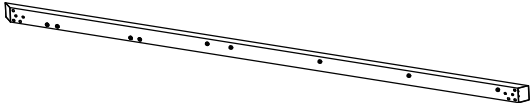
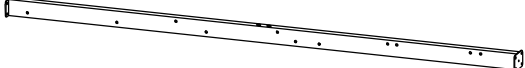


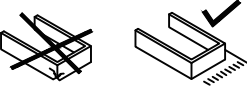
If the deck is hard wood and the depth of it is over 3 inch you can use **5/16 in. x4 in. Structural Wood Screw** to mount the pergola.





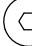
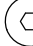
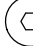
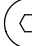
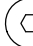




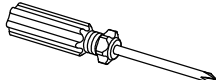
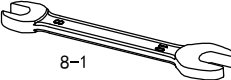


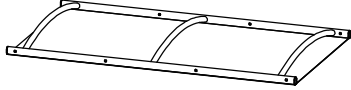
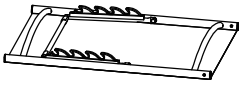
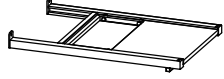
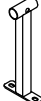



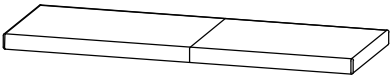
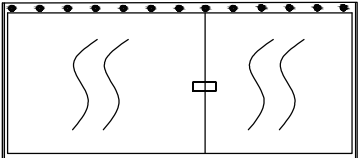
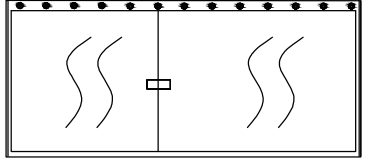
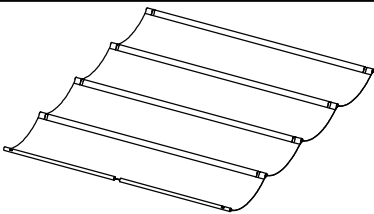
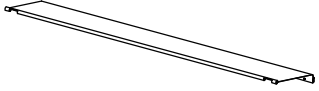
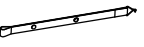


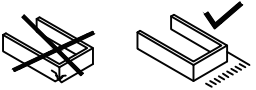
If the ground is concreted and the depth of it is over 3 inch you can use 1/4 inch expansion bolts to mount the pergola.

2100mm (82. 68")



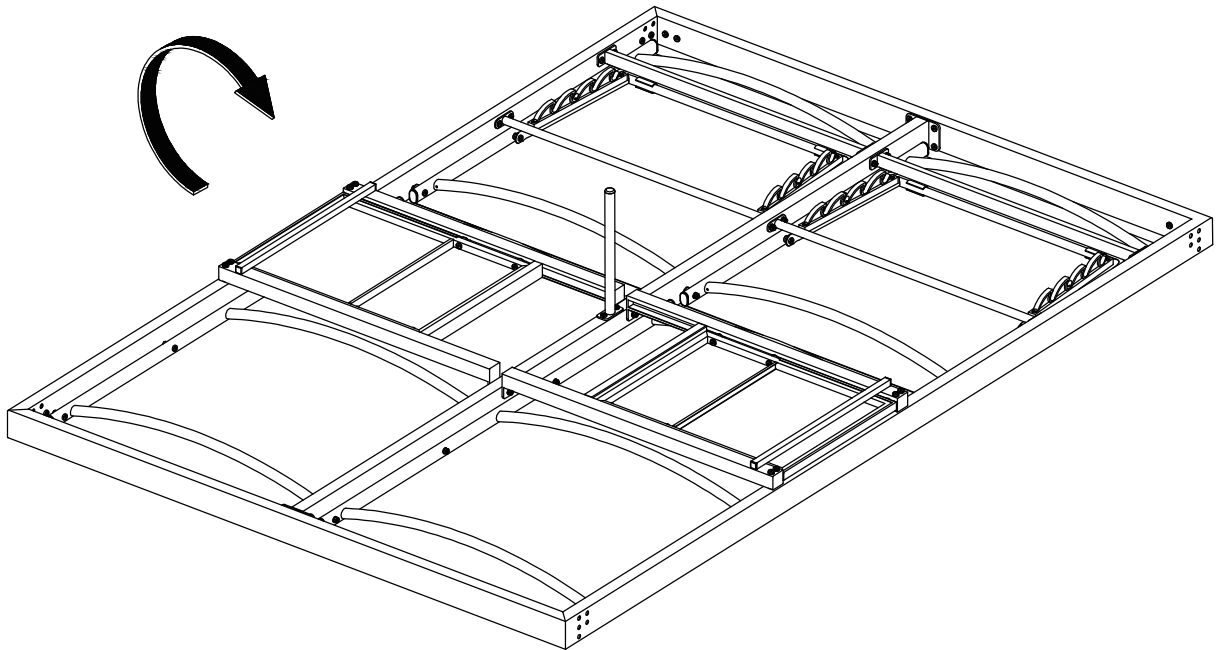
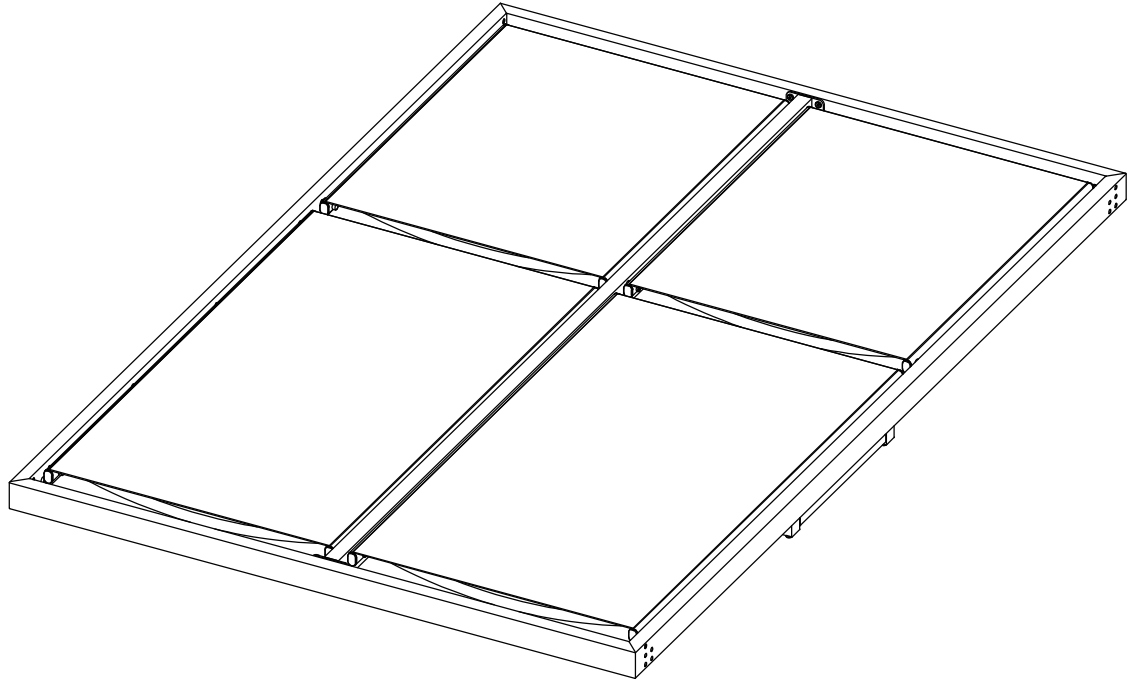
Or you can make a concrete footing for pergola **7 X 7 X 10 Inches** is recommended use expansion bolts to mount.

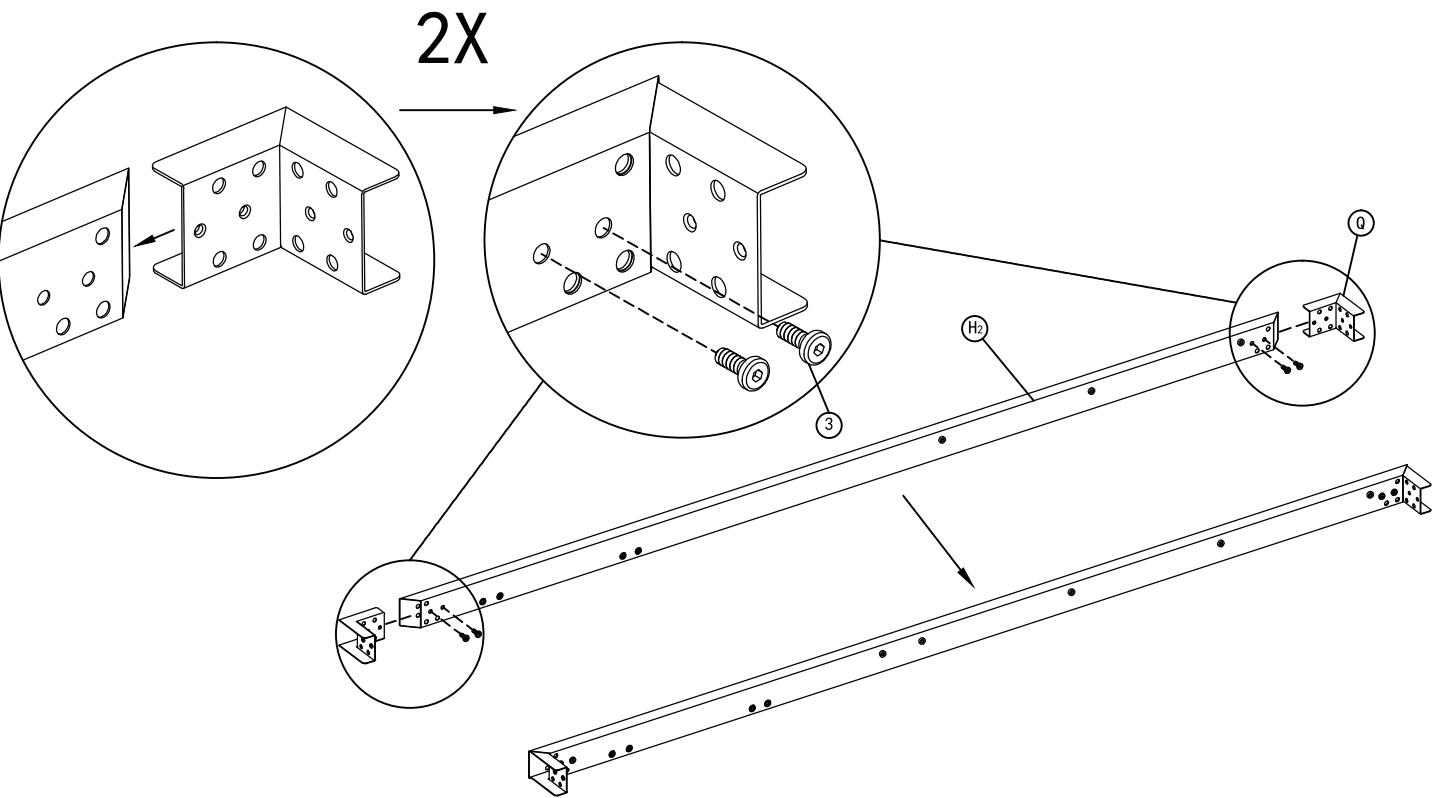
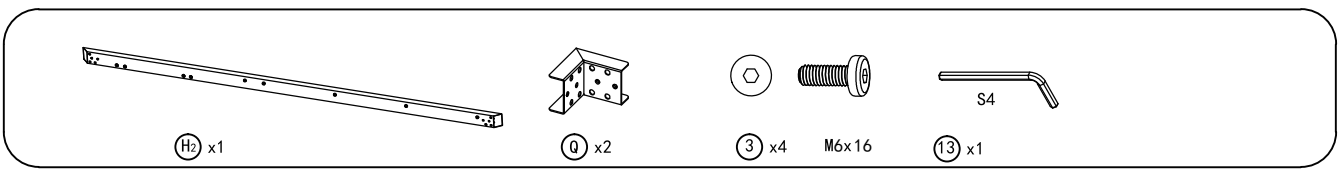
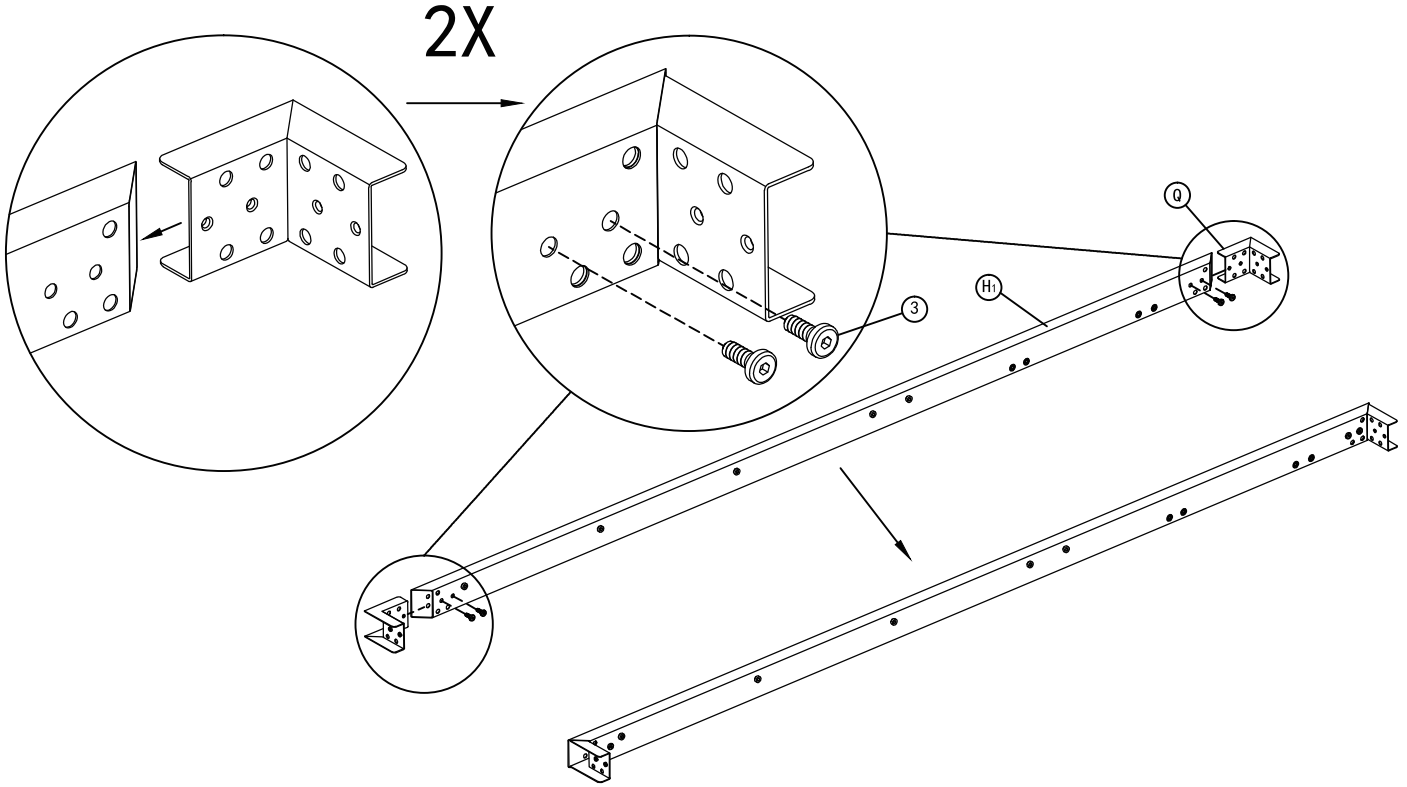
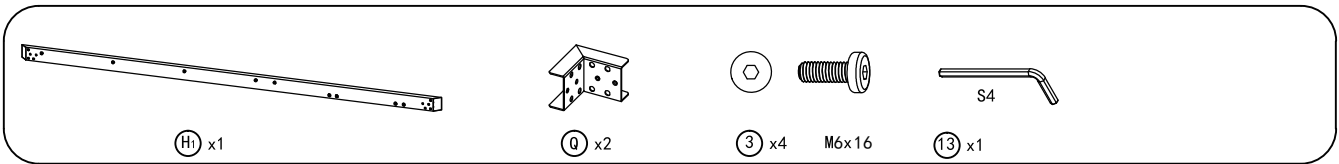
	 <p>(A1) x1 Post</p>	 <p>(A2) x1 Post</p>
	 <p>(A3) x1 Post</p>	 <p>(A4) x1 Post</p>
	 <p>(B1) x1 Beam</p>	 <p>(B2) x1 Beam</p>
	 <p>(C) x2 Beam</p>	 <p>(D1) x4 Canopy Support Tube</p>
	 <p>(D2) x1 Canopy Support Tube</p>	 <p>(E) x1 Small Canopy Support Tube</p>
	 <p>(F) x1 Small Canopy Support Tube</p>	 <p>(G) x2 Bed Frame</p>
	 <p>(H1) x1 Bed Frame</p>	 <p>(H2) x1 Bed Frame</p>
	 <p>(I) x1 Bed Frame</p>	 <p>(J) x2 Bed Frame Support Tube</p>  <p>(K) x2 Bed Frame Support Tube</p>
		
<p>1</p>		

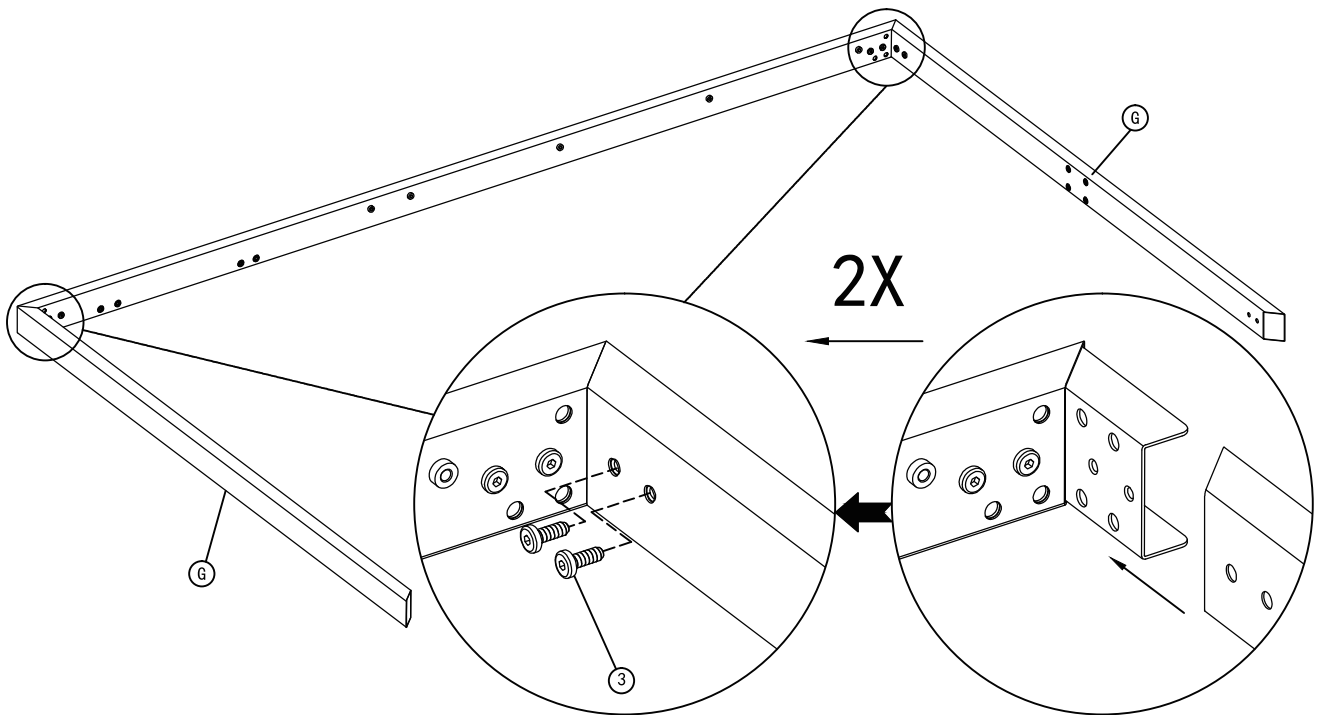
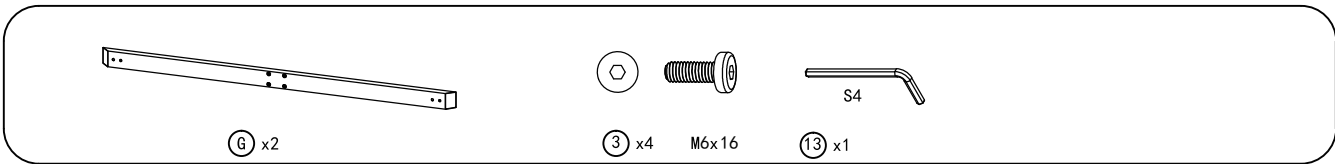
	 1 x8 M5x1	 2 x2 M5x3	 3 x86 M8x16	 4 x2 M6x2
	 5 x8 M6x3	 6 x2 M6x35	 7 x22 M6x45	
	 8 x4 M6x75		 9 x1 M6x8	
	 1 x9	 11 x11	 12 x11	 13 x1 S4
	 14 x1	 15 x1 8-1	 Z1 x2 Wheel	 Z2 x6 Wheel
	 L x2 Chaise Lounge Seat		 M x2 Chaise Lounge Back	
	 N x2 Hidden Cup Holder			
	 O x2 Small Canopy Support Frame	 P x4 Base Plate	 Q x4 Bed Frame Connector	 R x1 Bed Frame Center Support Leg
	 S x2 Cushion			
	 T1 x2 Curtain		 T2 x2 Curtain	
	 U x1 Retractable Canopy		 V x1 Small Canopy	 W x1 Strap
		 X x2 Curtain Ring	 Y x4 Plastic Washer D2 /d7XH2	
				
2				

STEP 1

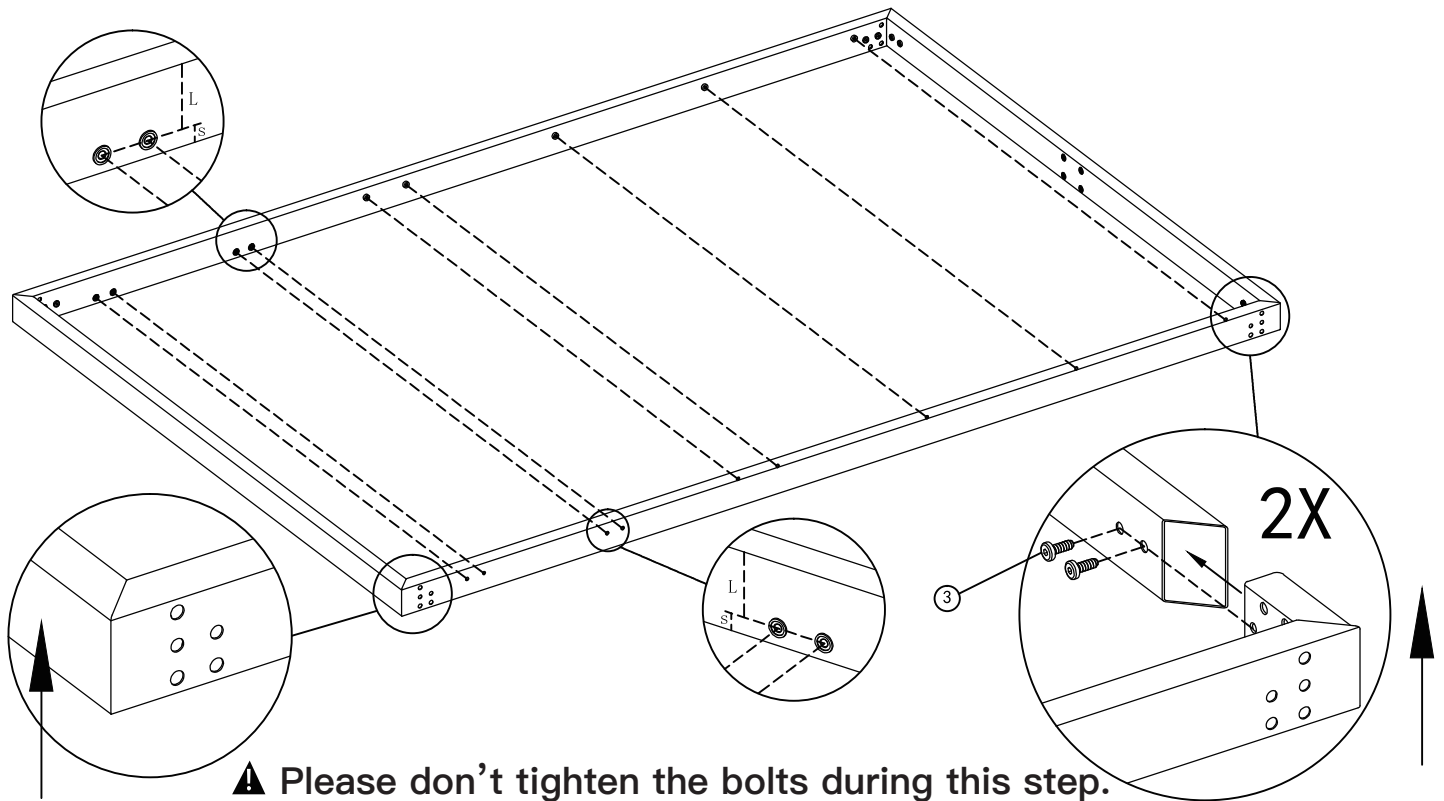
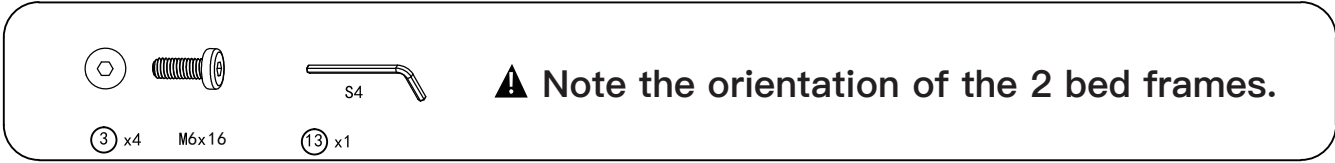
Install the bed frame.



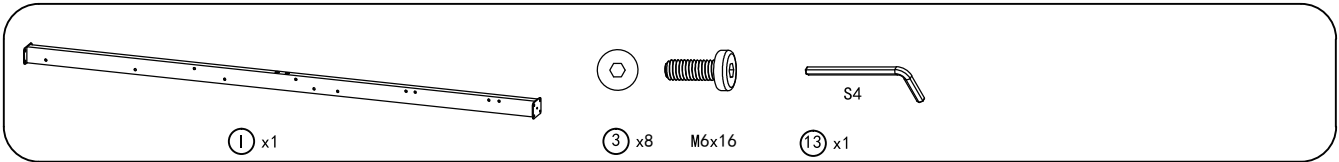




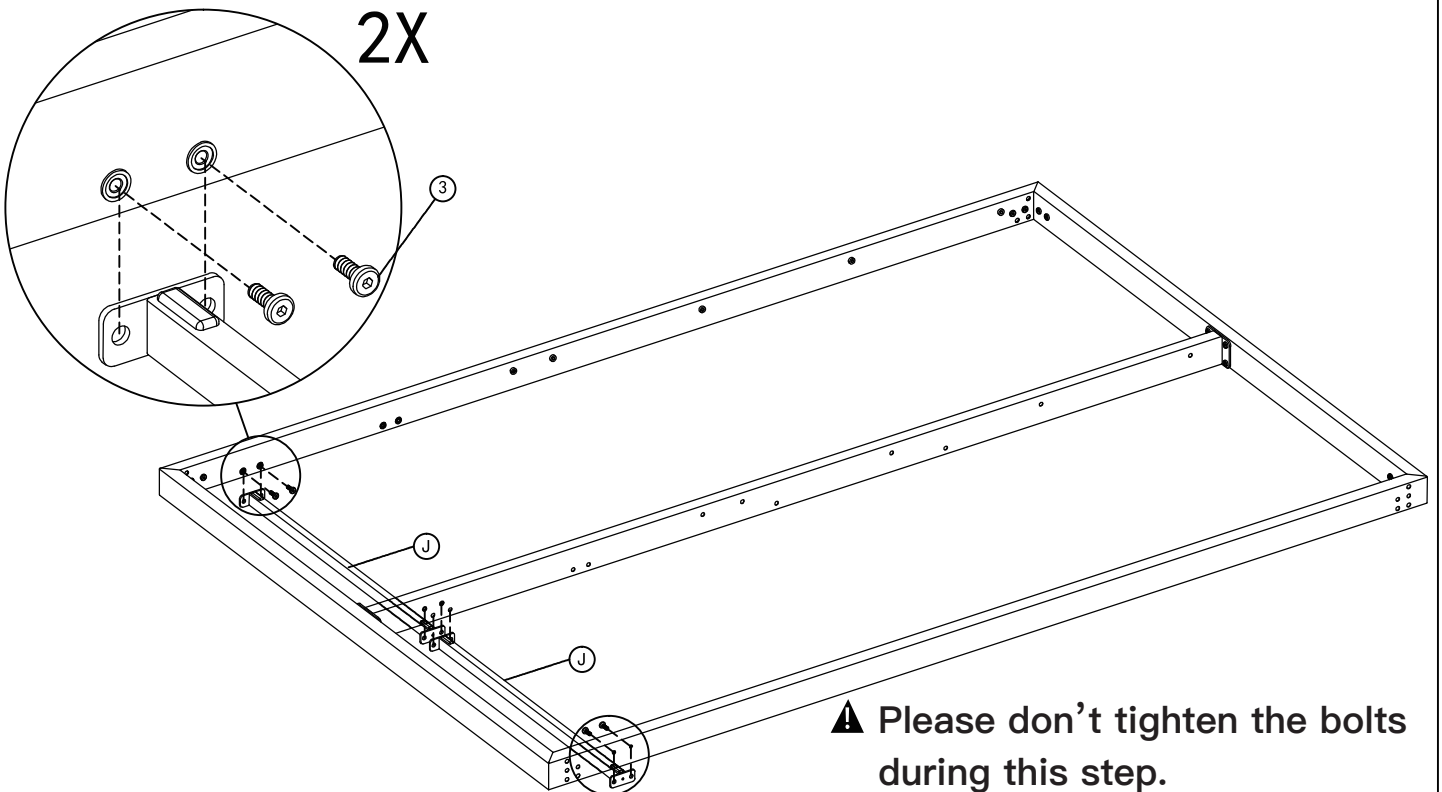
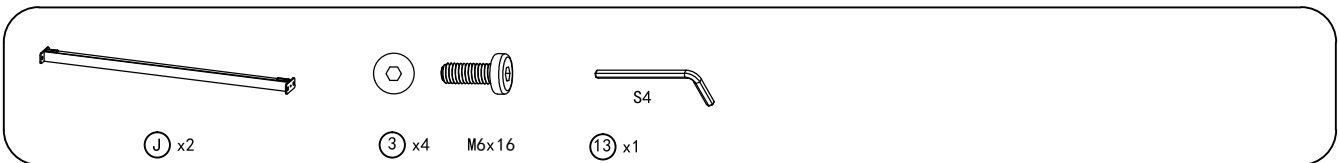
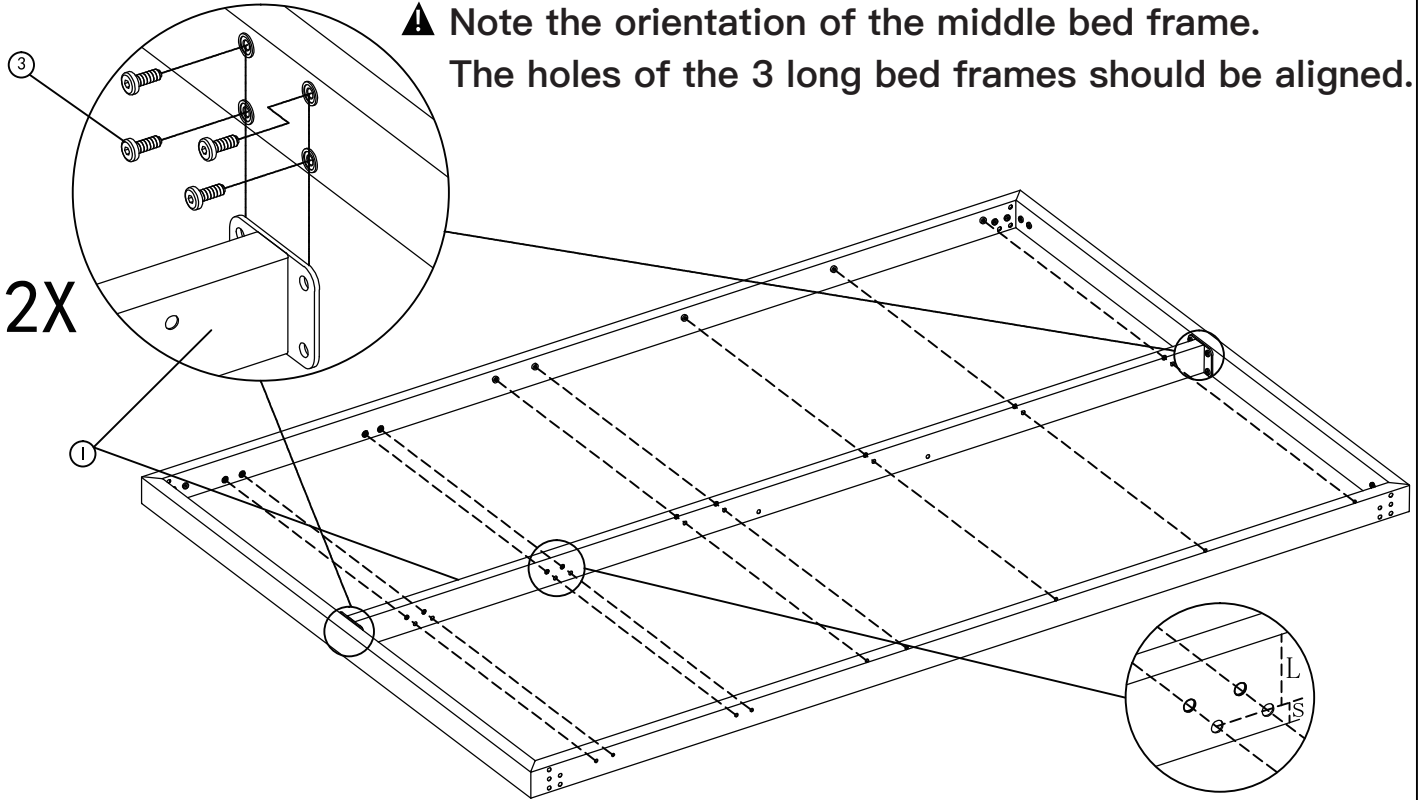
▲ Please don't tighten the bolts during this step.

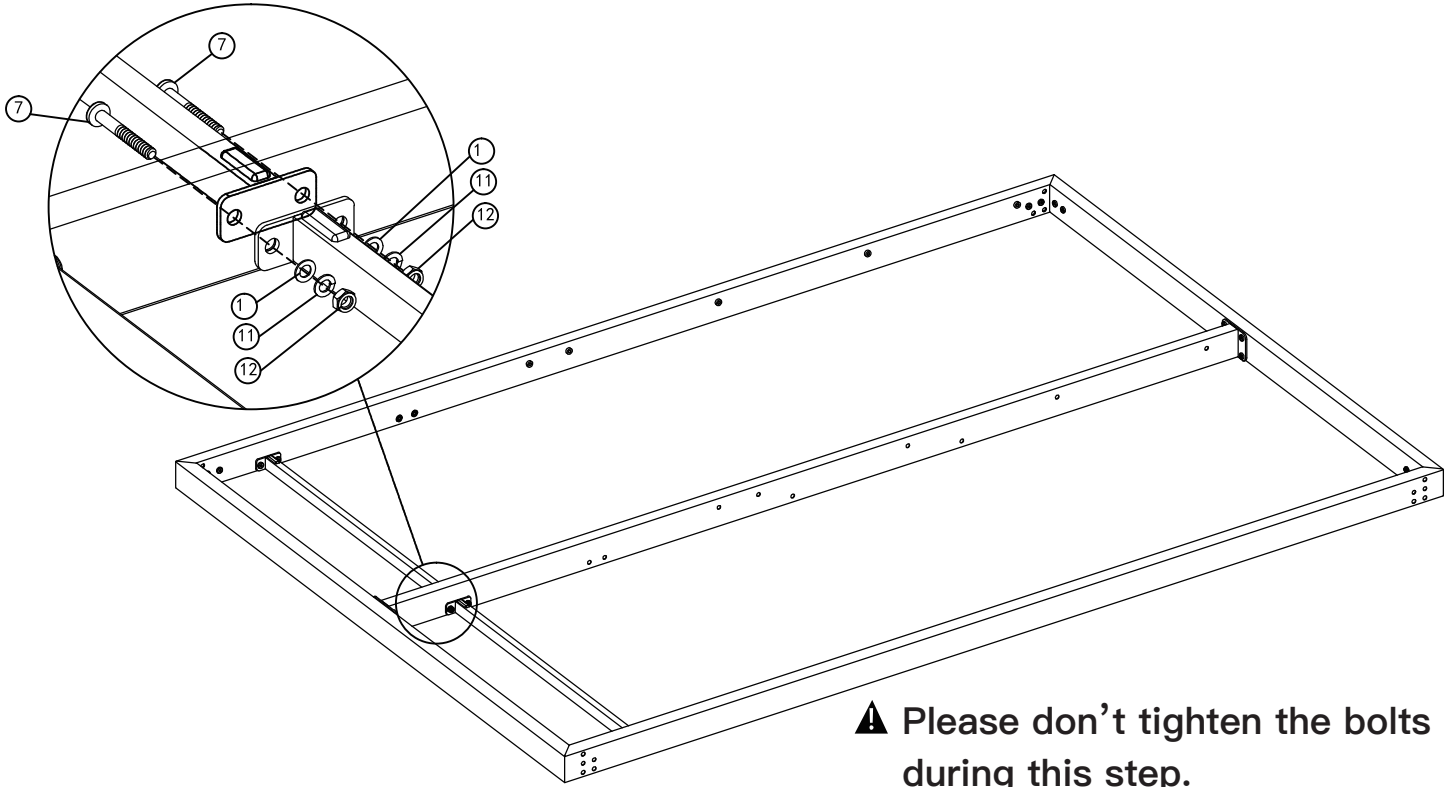
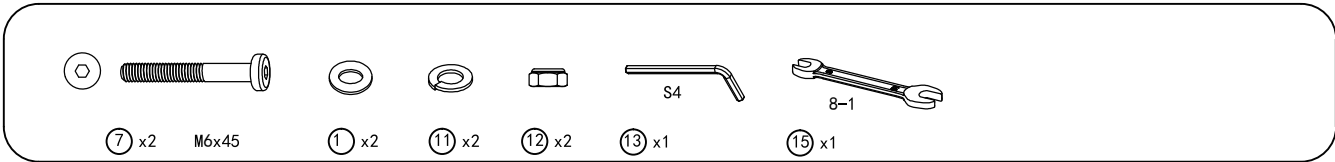


▲ Please don't tighten the bolts during this step.

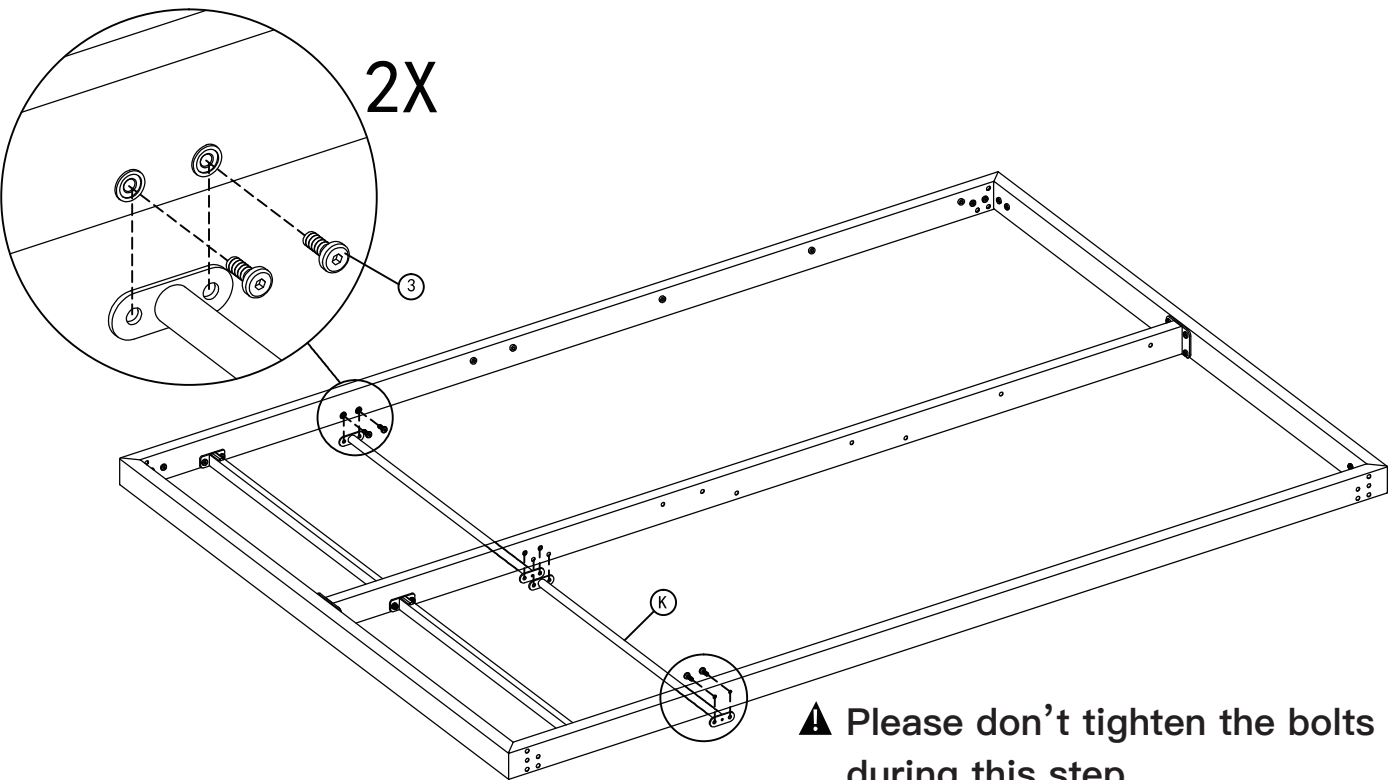
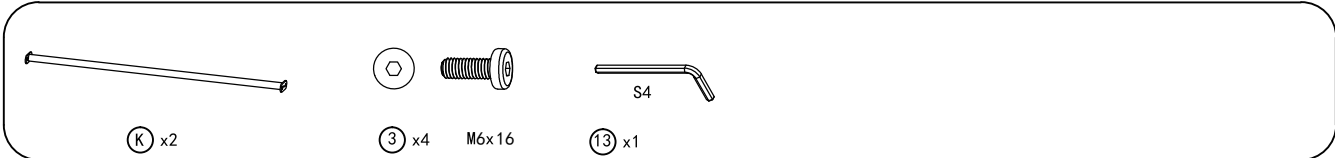


**▲ Note the orientation of the middle bed frame.
The holes of the 3 long bed frames should be aligned.**

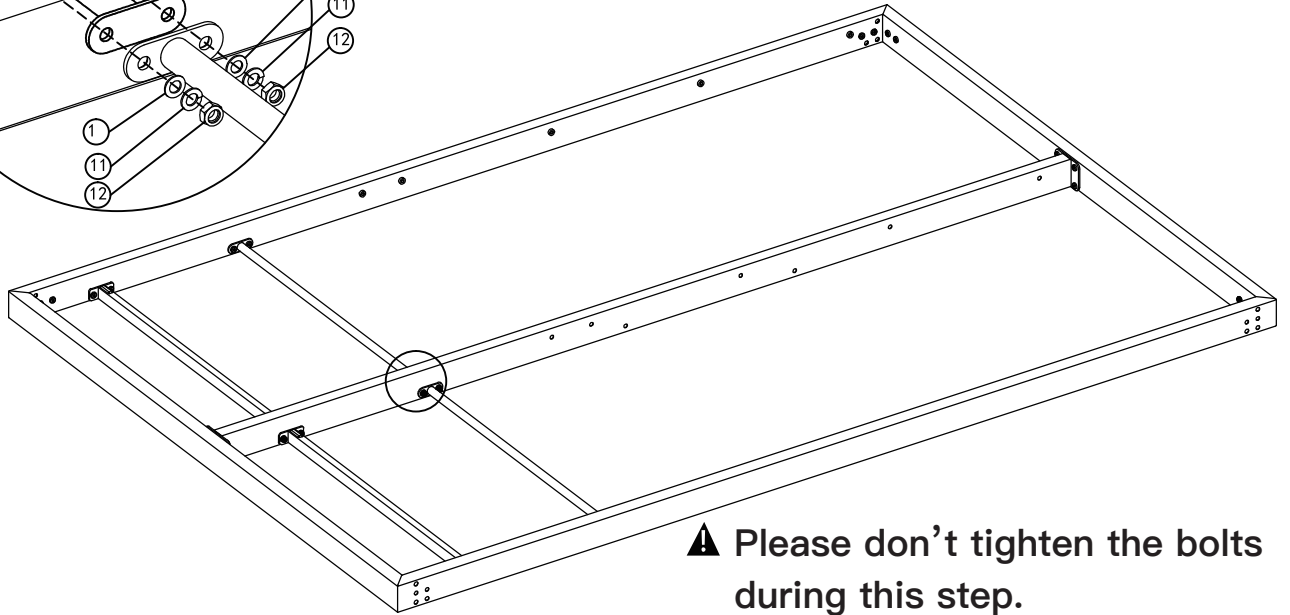
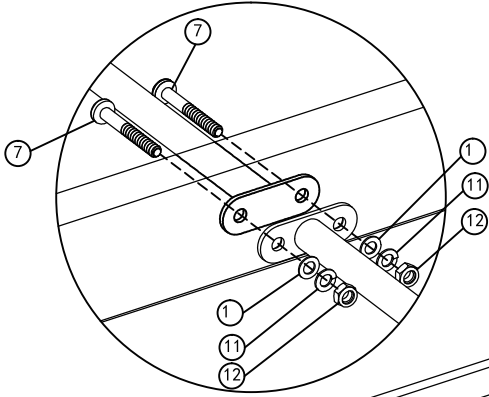
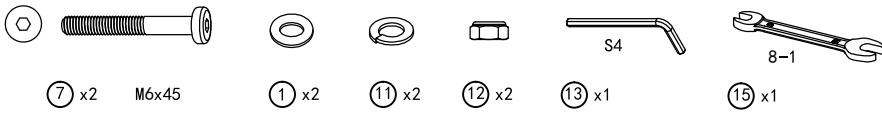




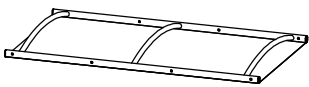
▲ Please don't tighten the bolts during this step.



▲ Please don't tighten the bolts during this step.



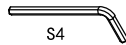
▲ Please don't tighten the bolts during this step.



L x2

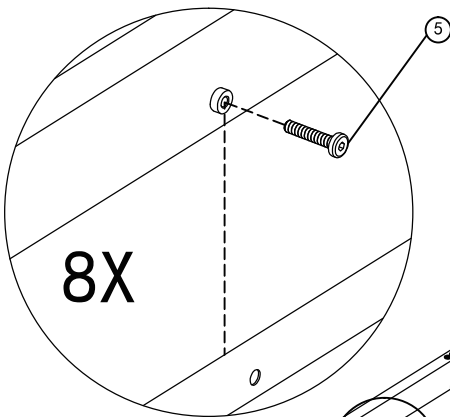


5 x8 M6x3

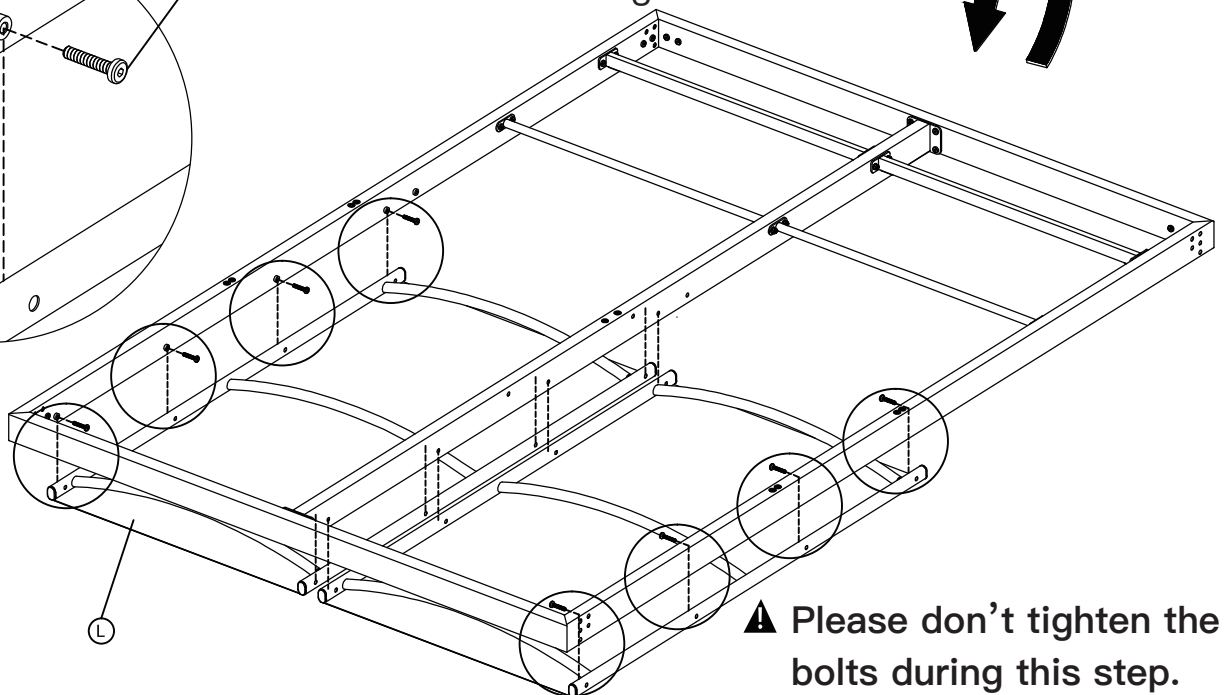


13 x1

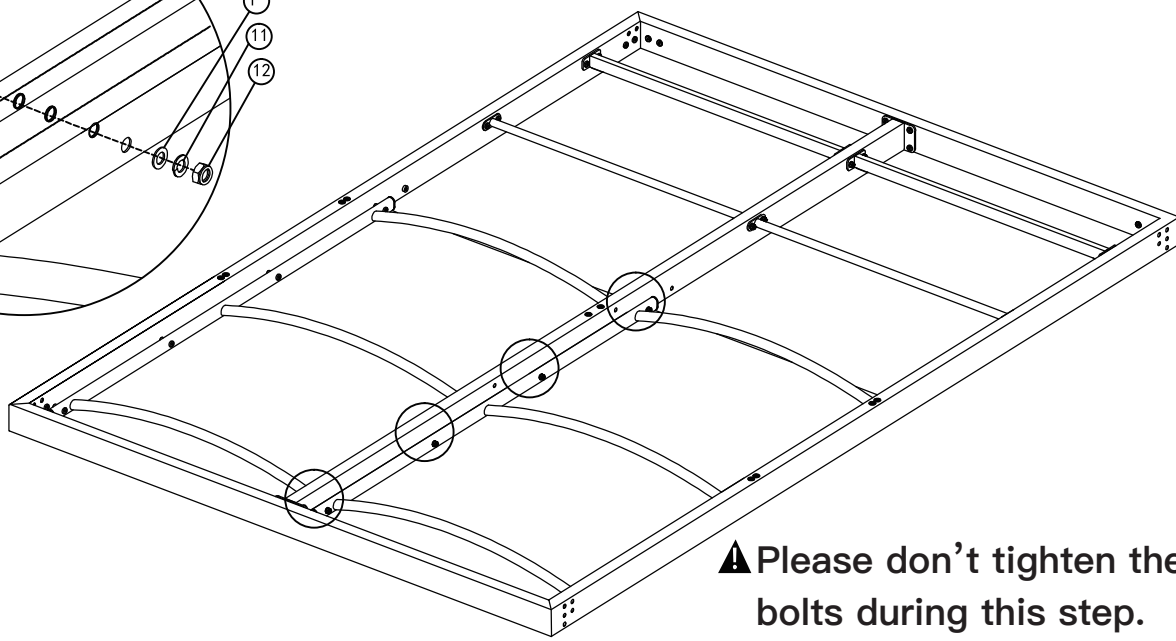
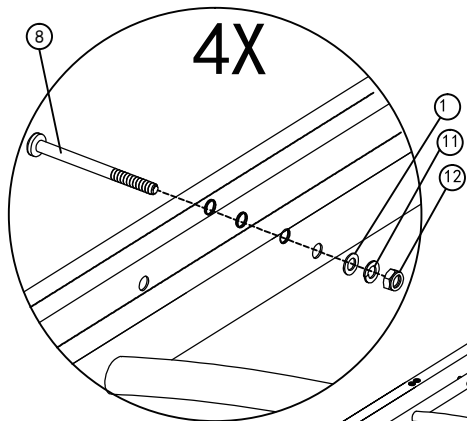
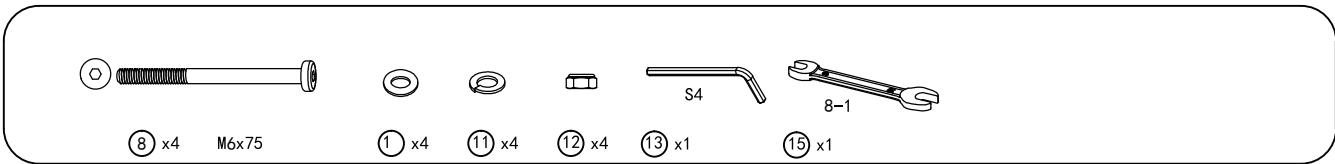
Turn the bed frame over to install the chaise lounge seat.



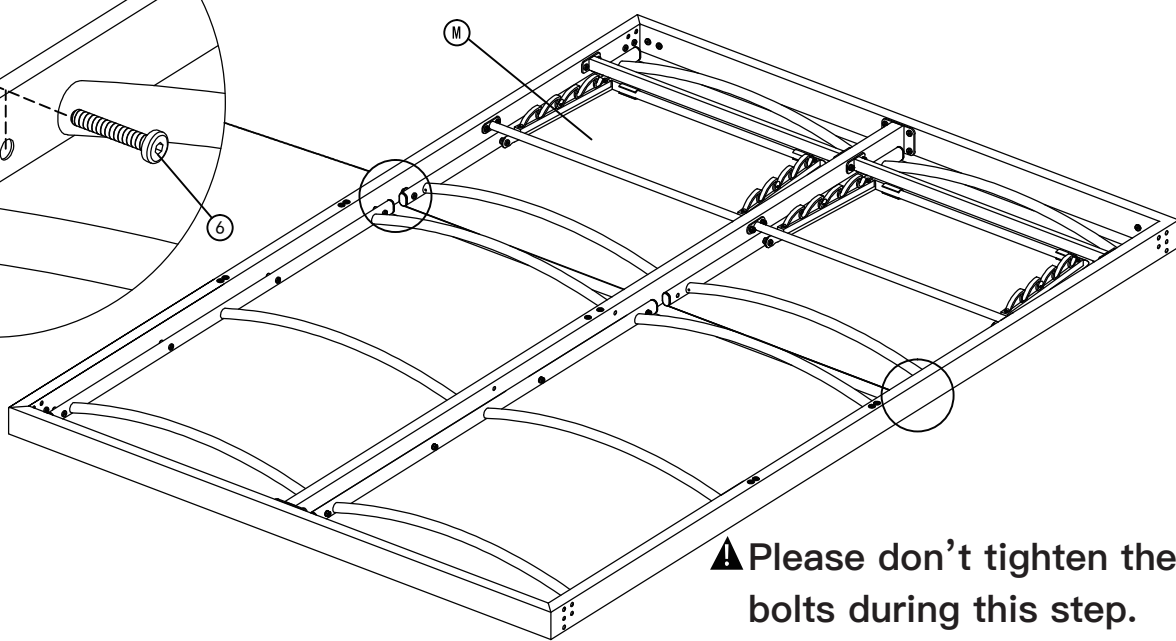
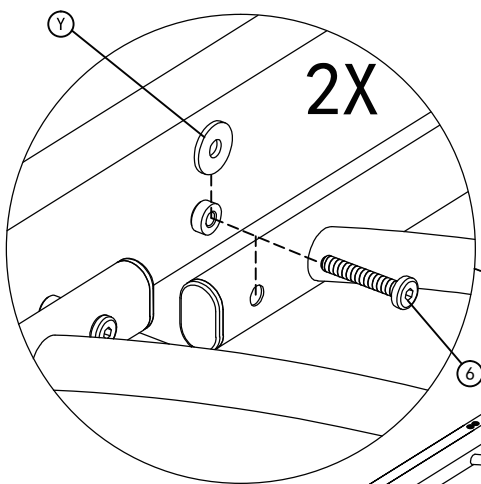
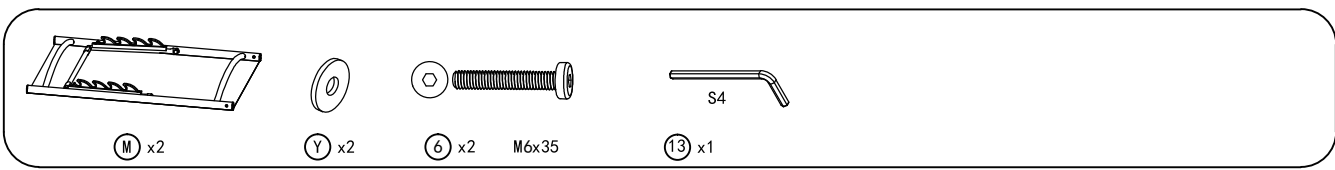
8X



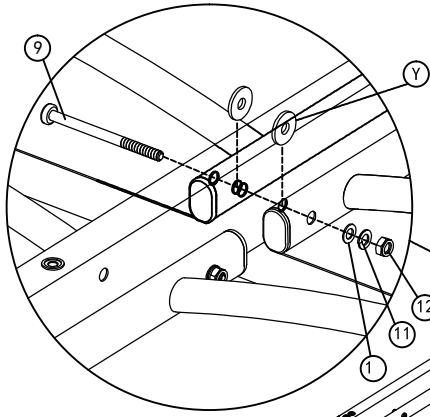
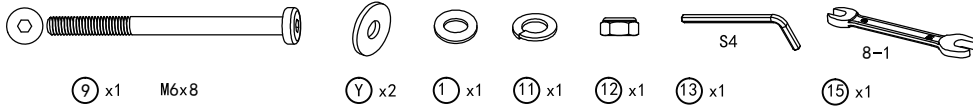
▲ Please don't tighten the bolts during this step.



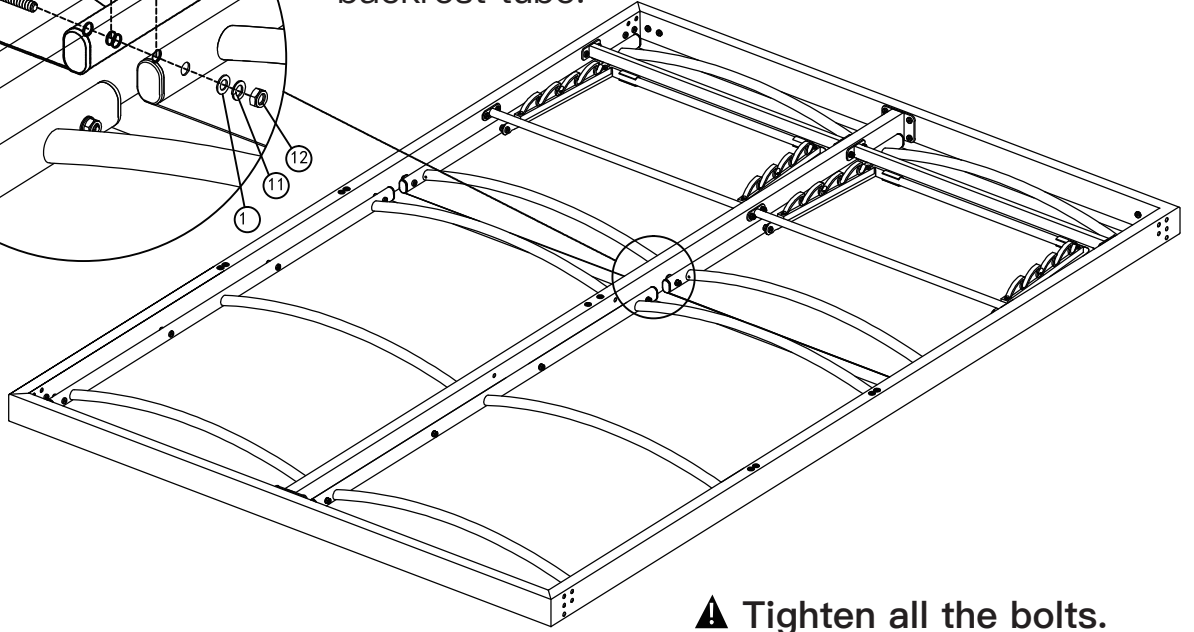
⚠ Please don't tighten the bolts during this step.



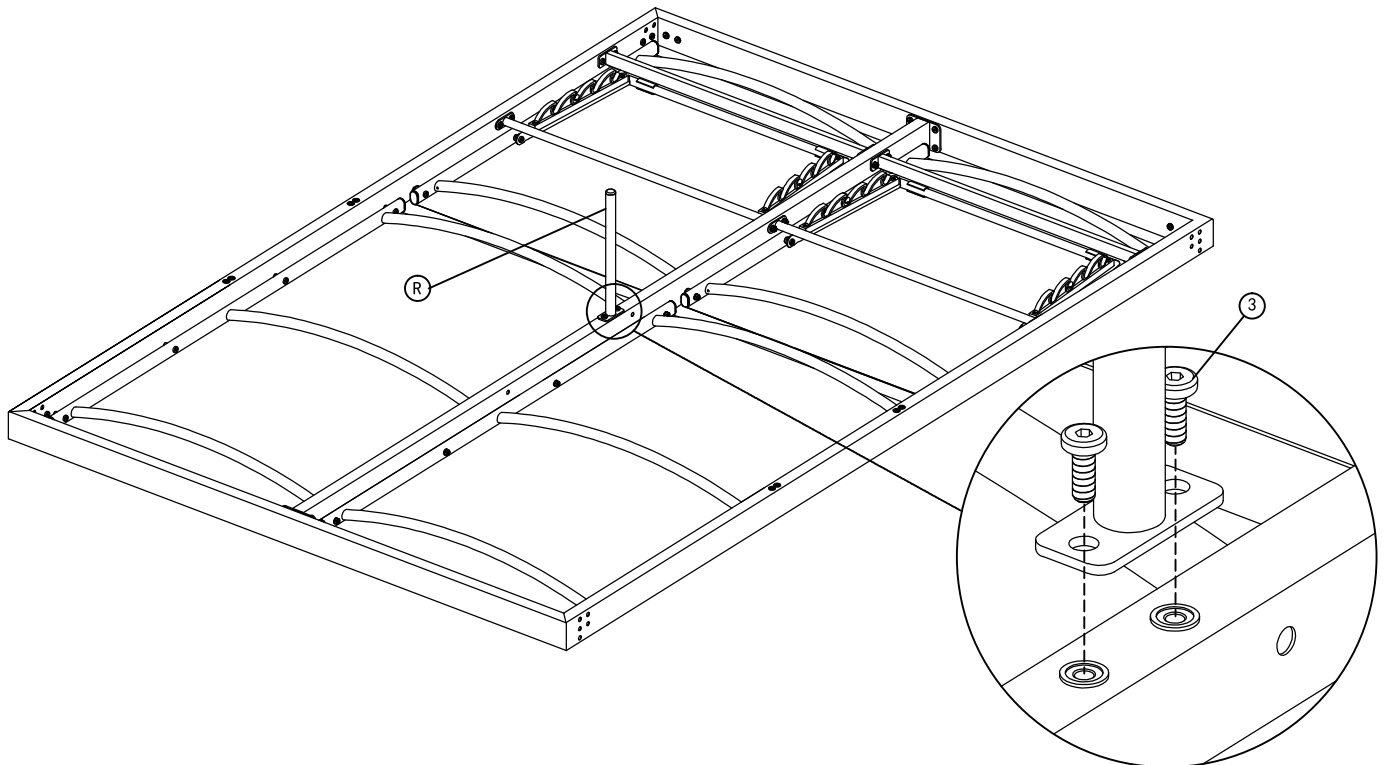
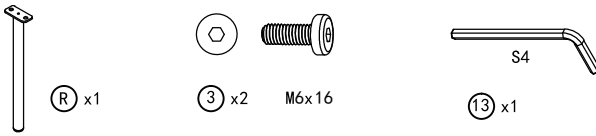
⚠ Please don't tighten the bolts during this step.

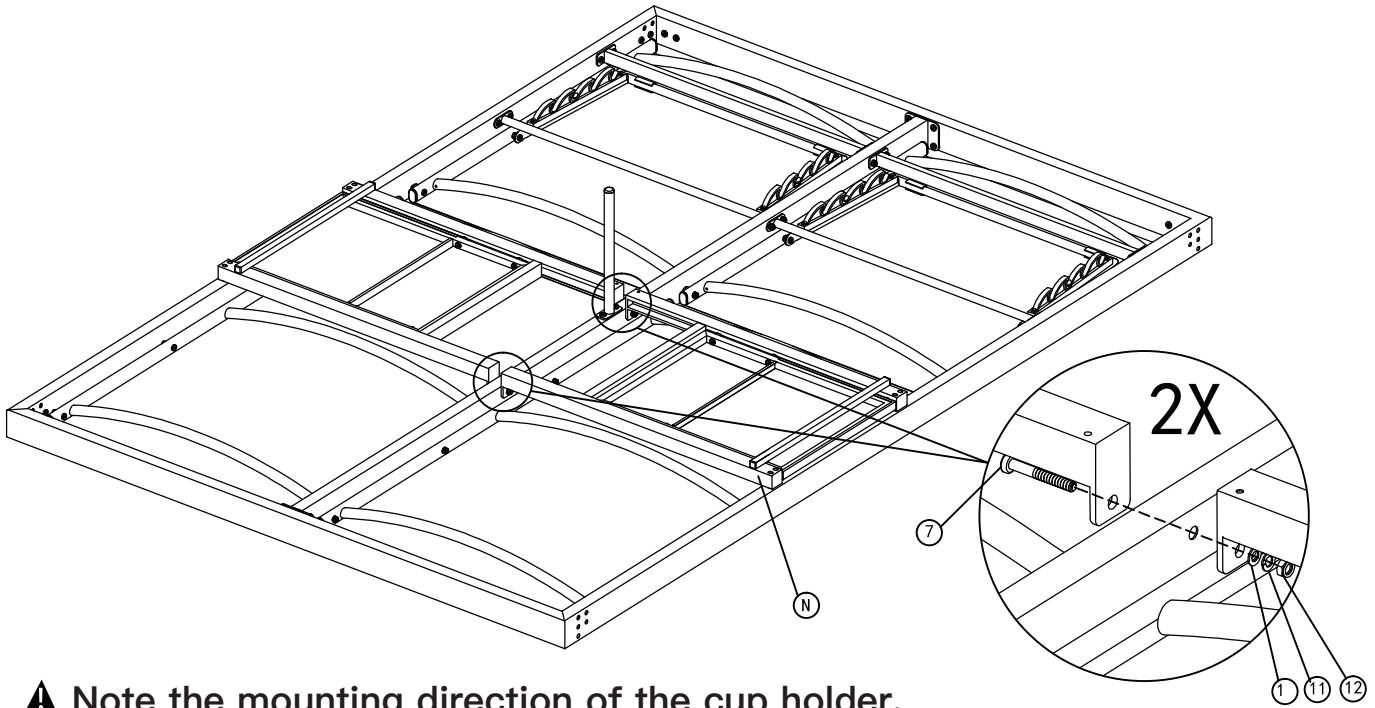
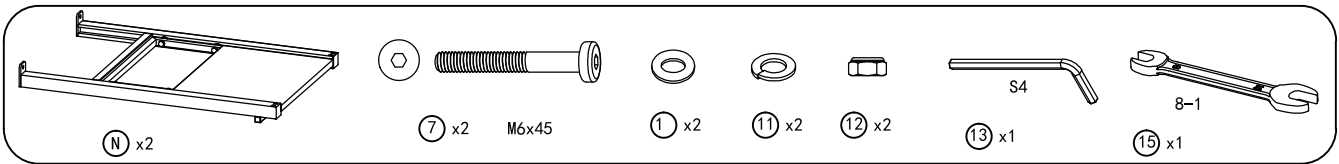


The plastic washer should be installed between the middle bed frame and chaise lounge backrest tube.

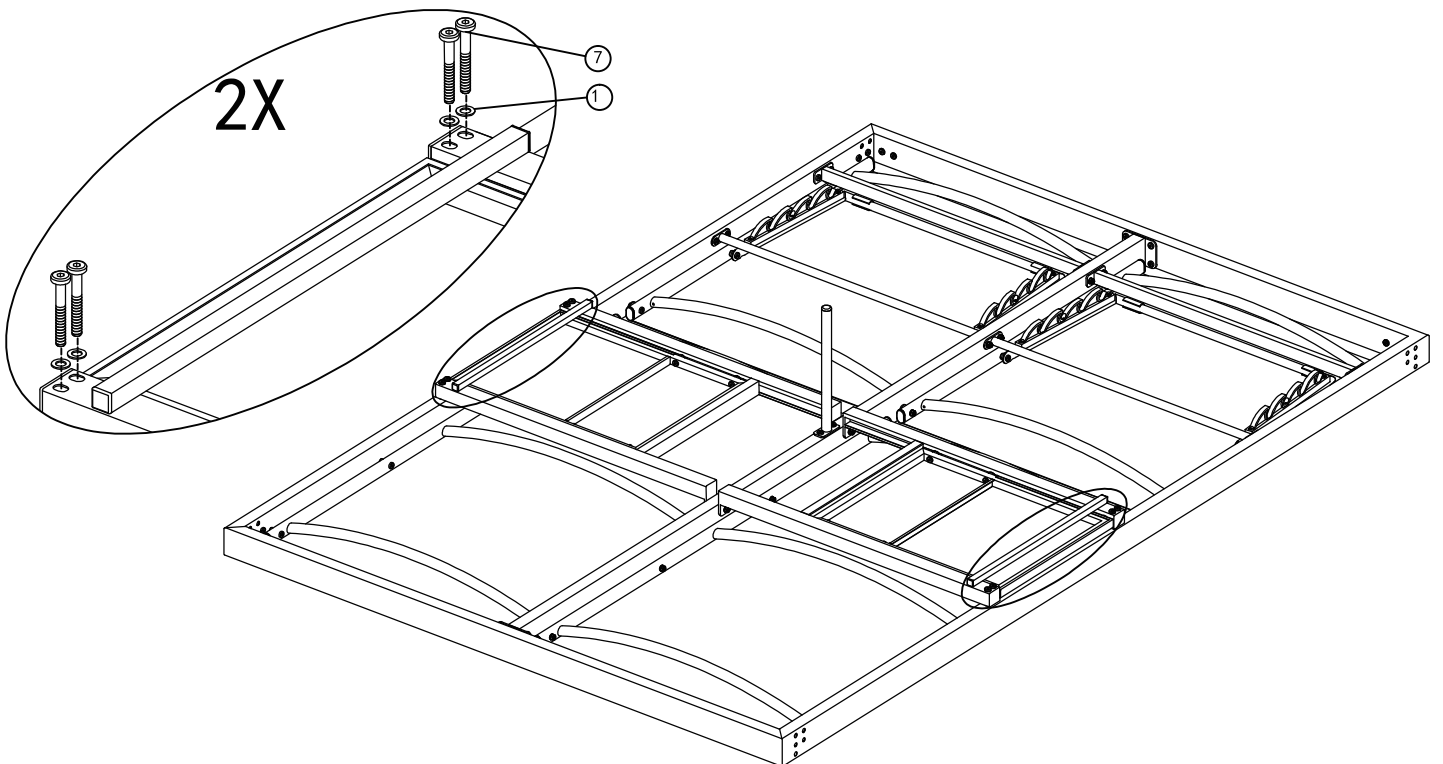
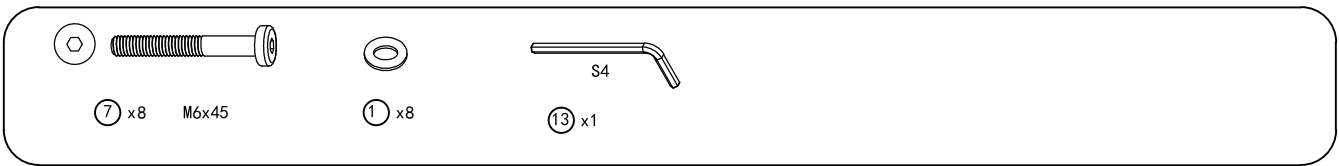


▲ Tighten all the bolts.



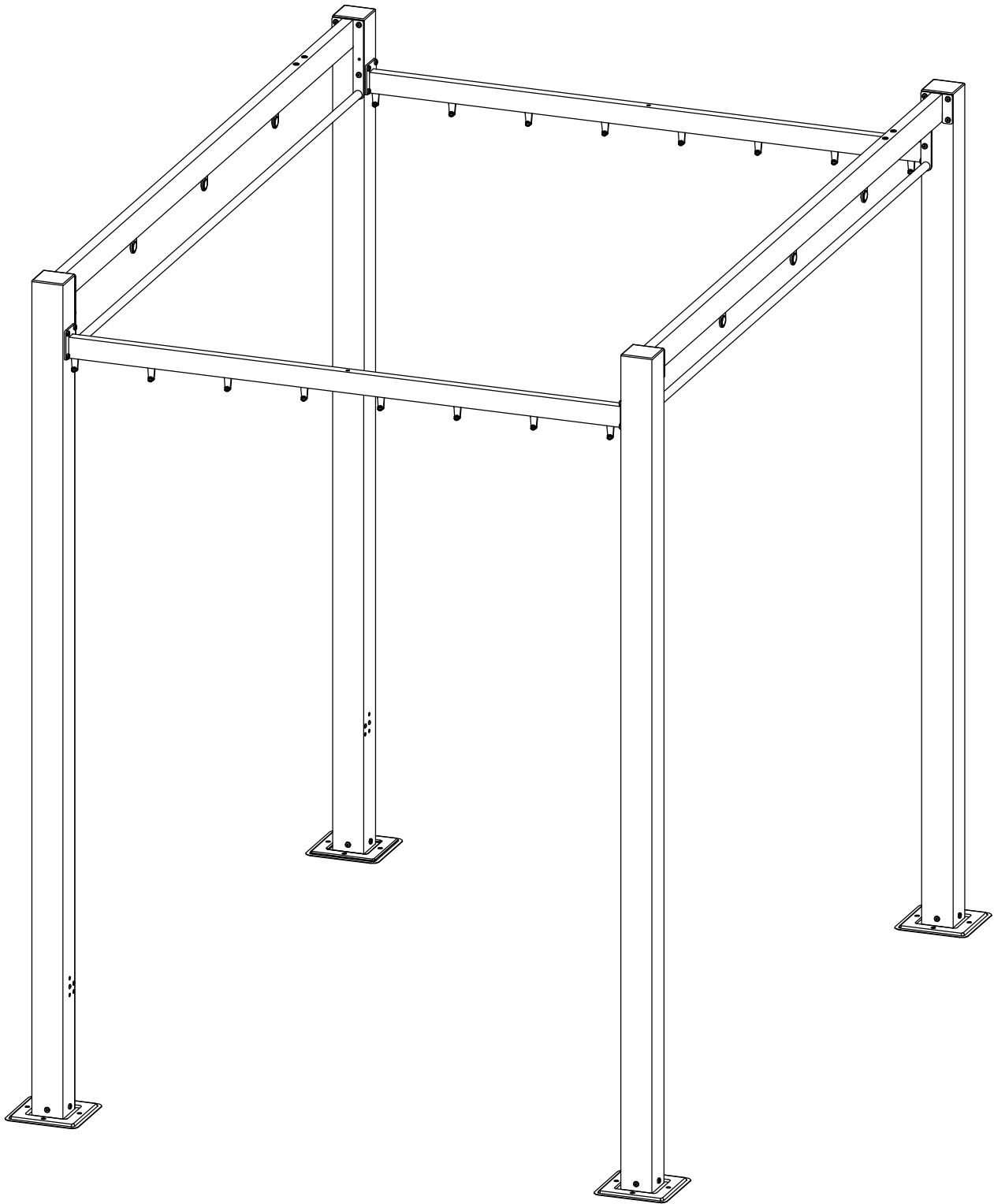


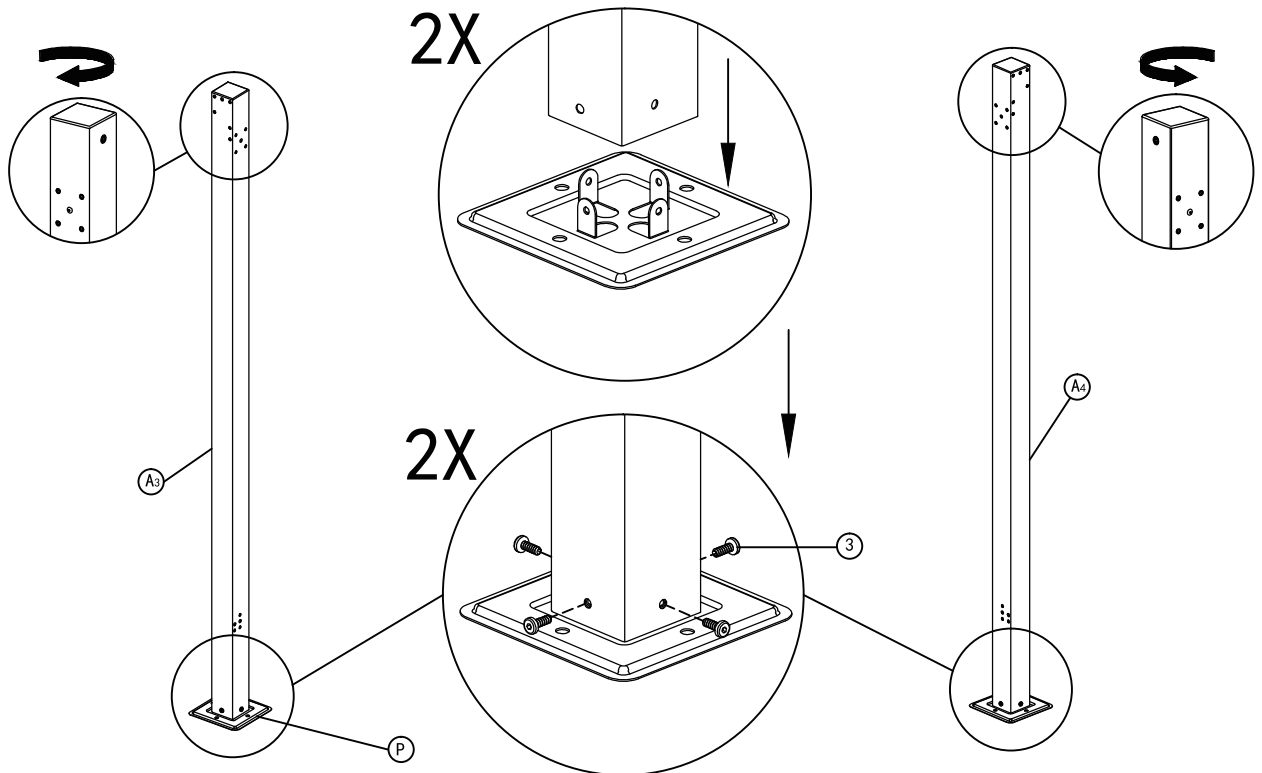
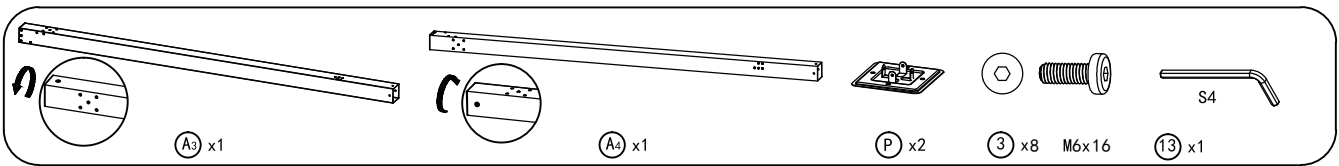
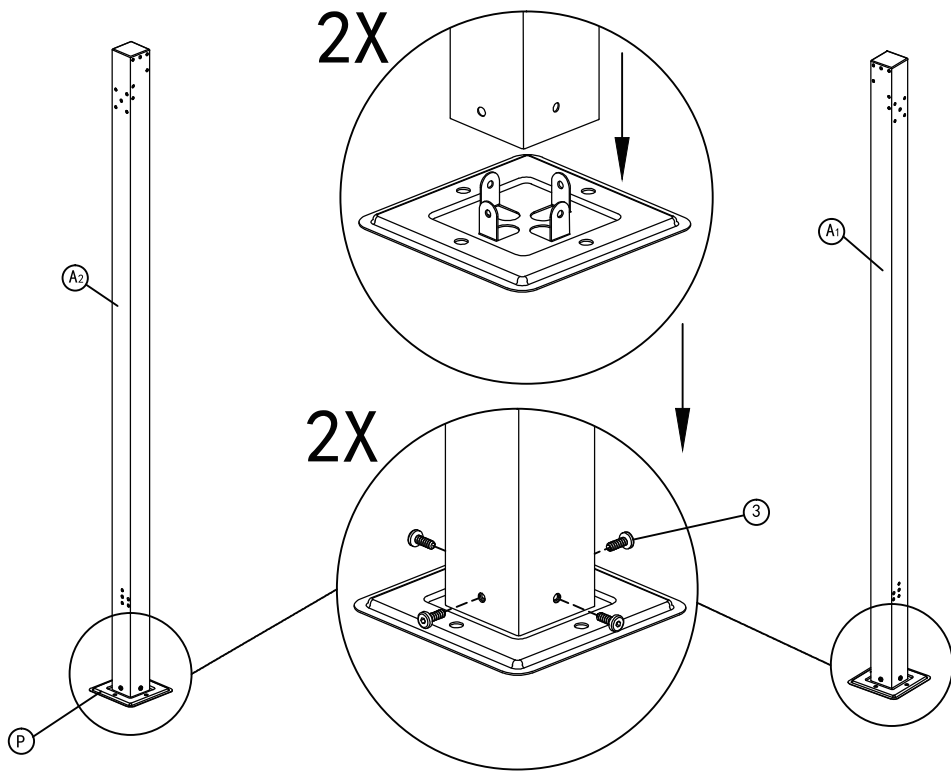
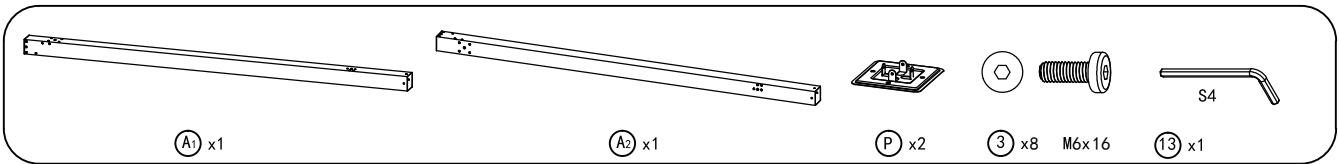
▲ Note the mounting direction of the cup holder.

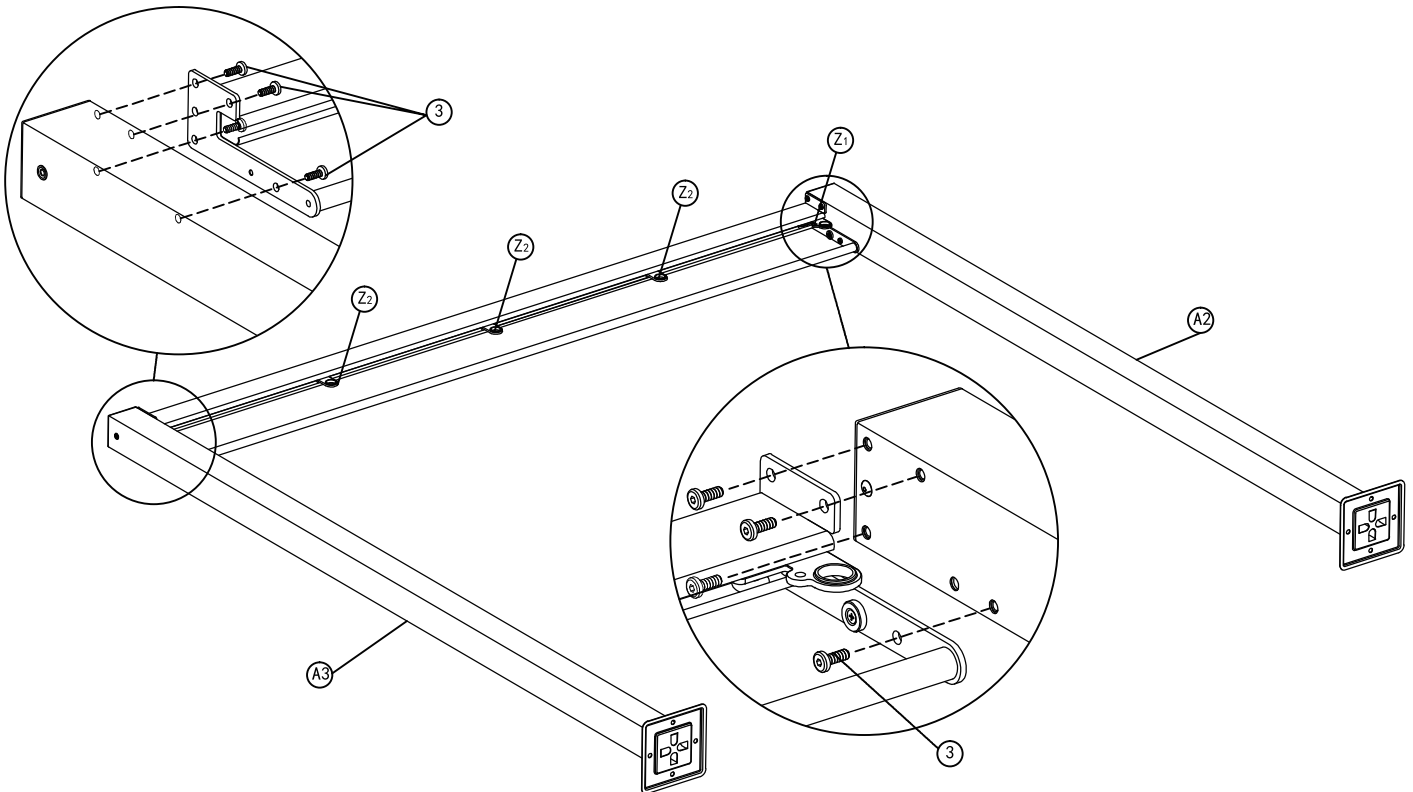
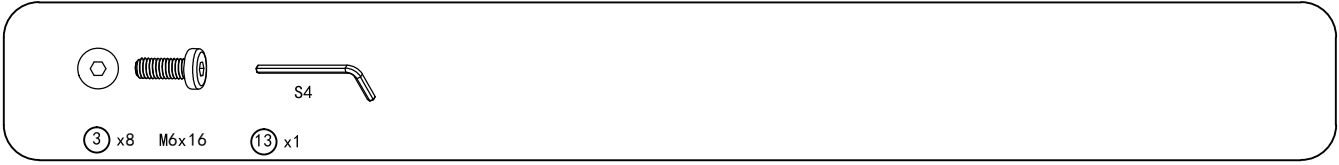
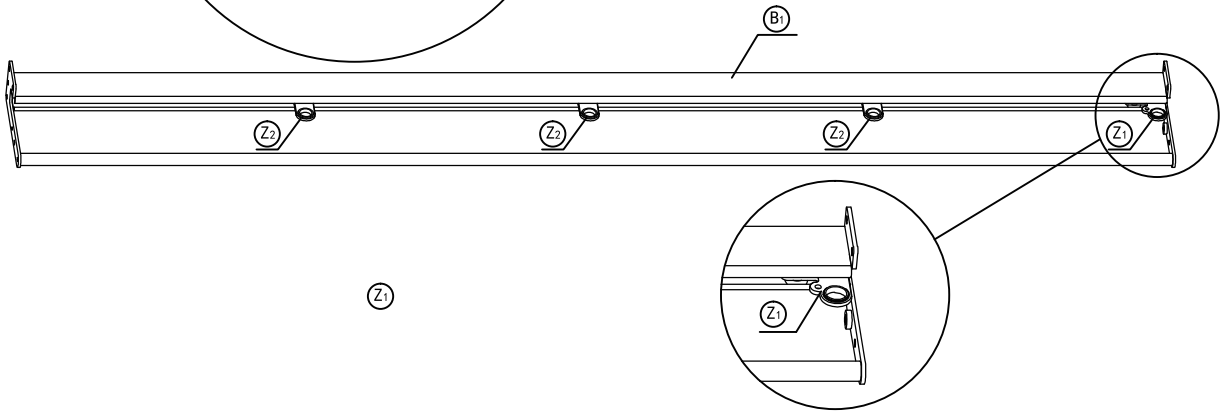
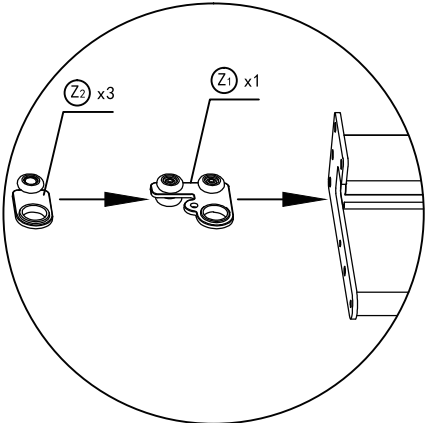
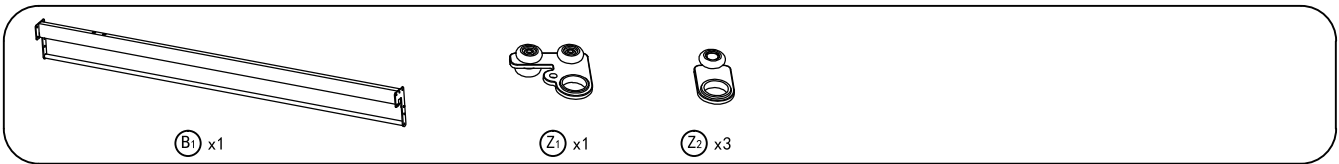


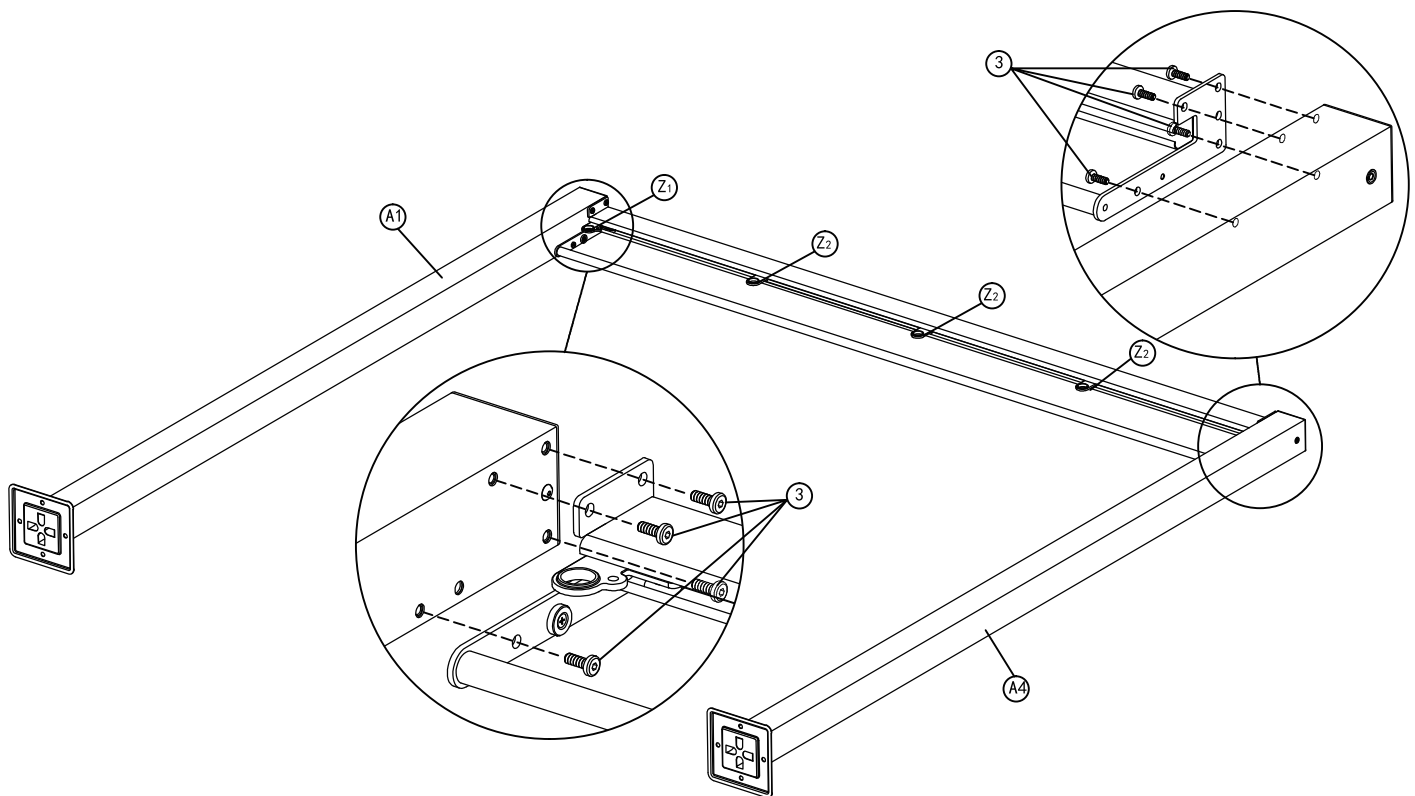
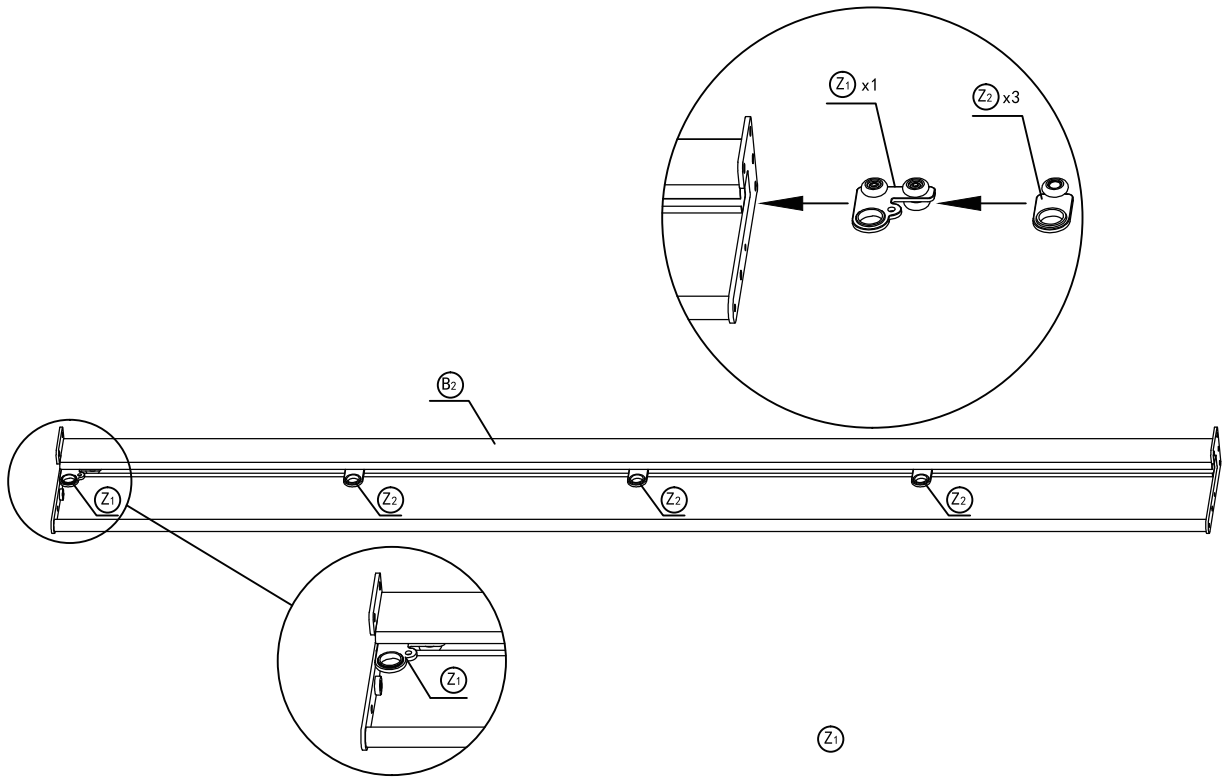
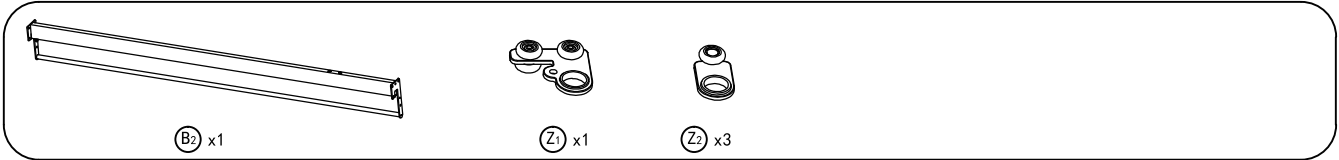
STEP 2

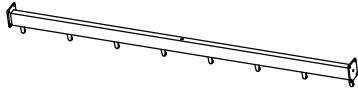
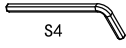
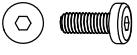
Install the post and beam.









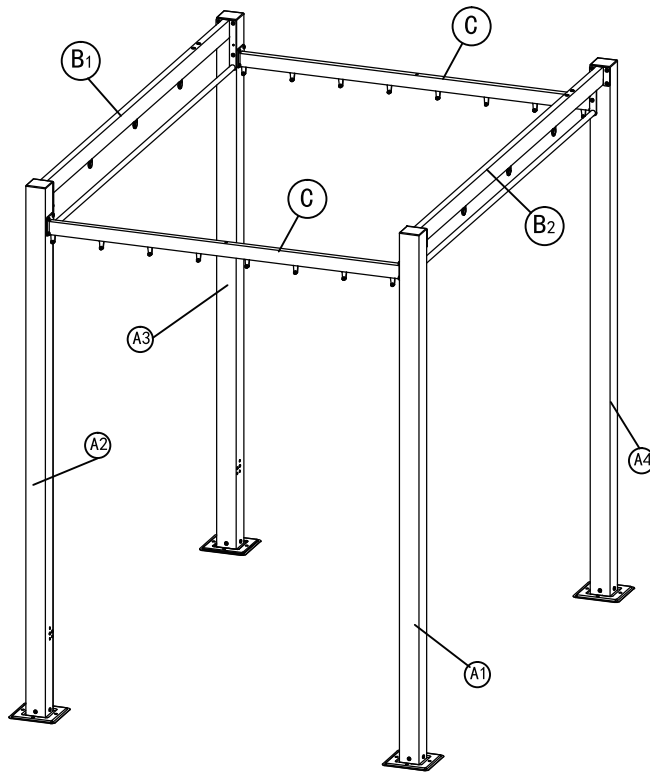
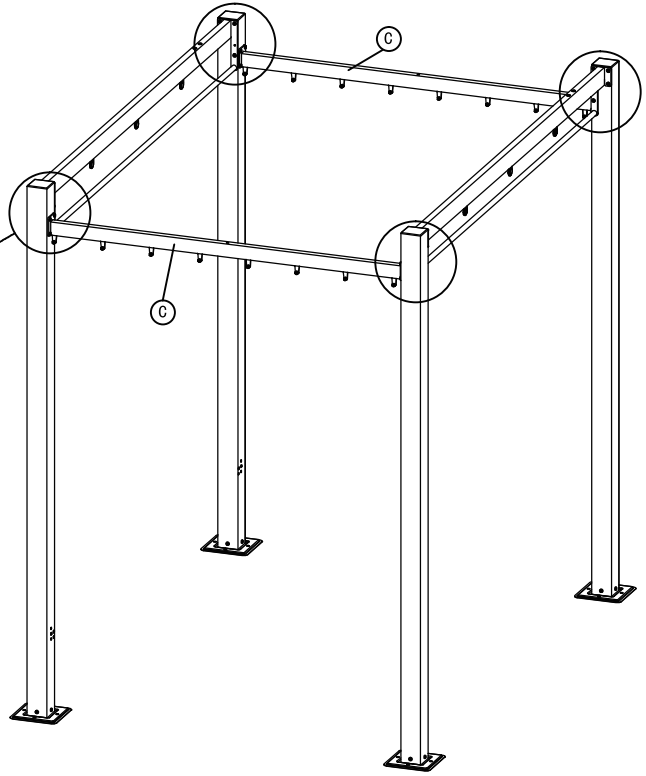
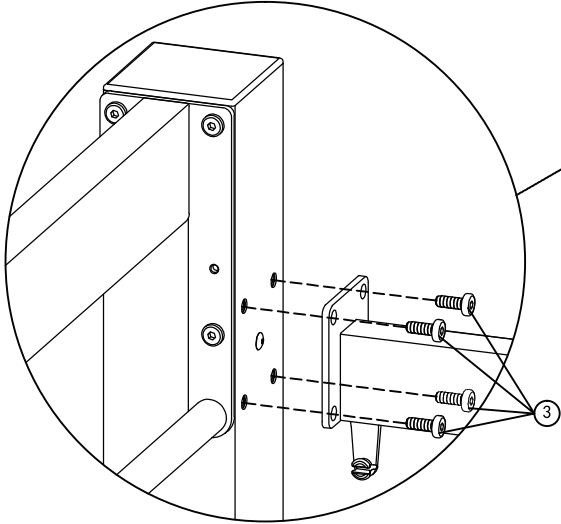


③ x16 M6x16

⑬ x1

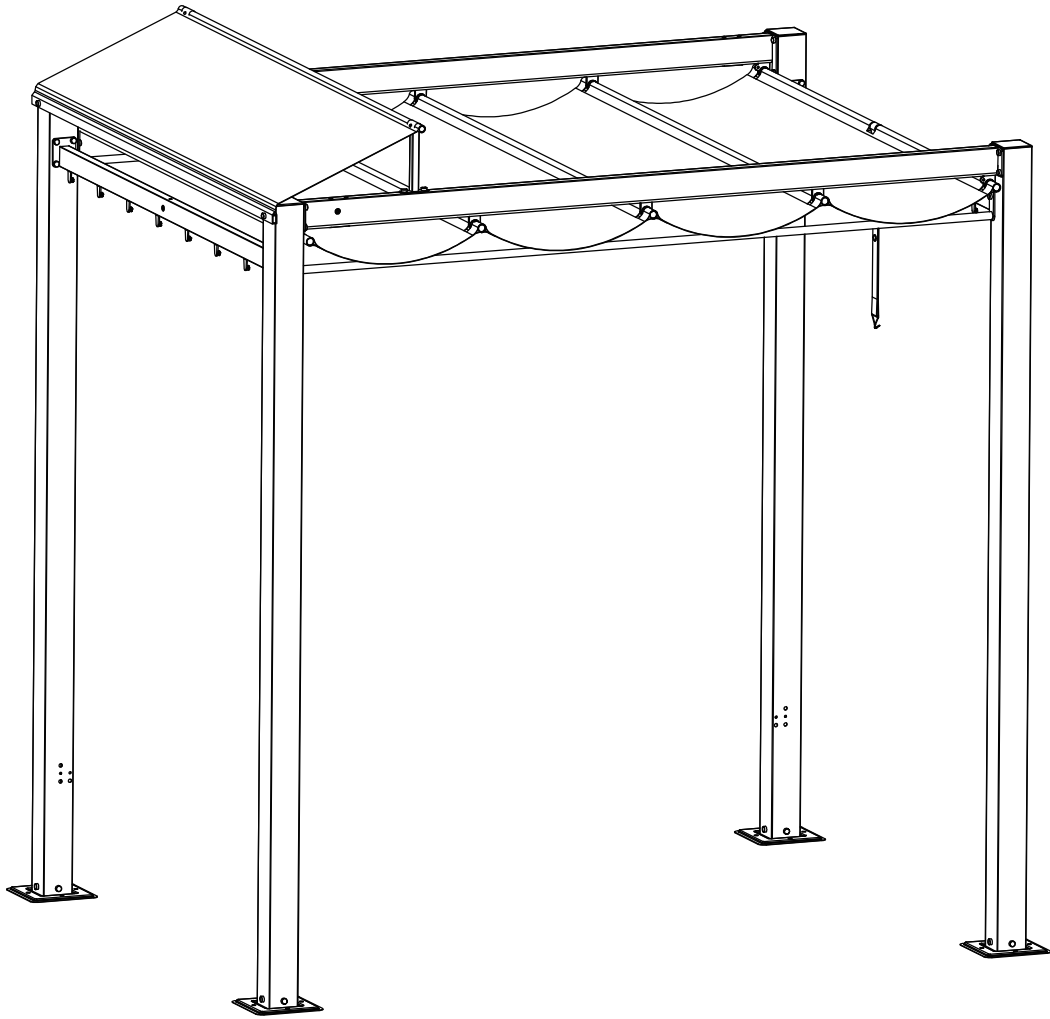
⑥ x2

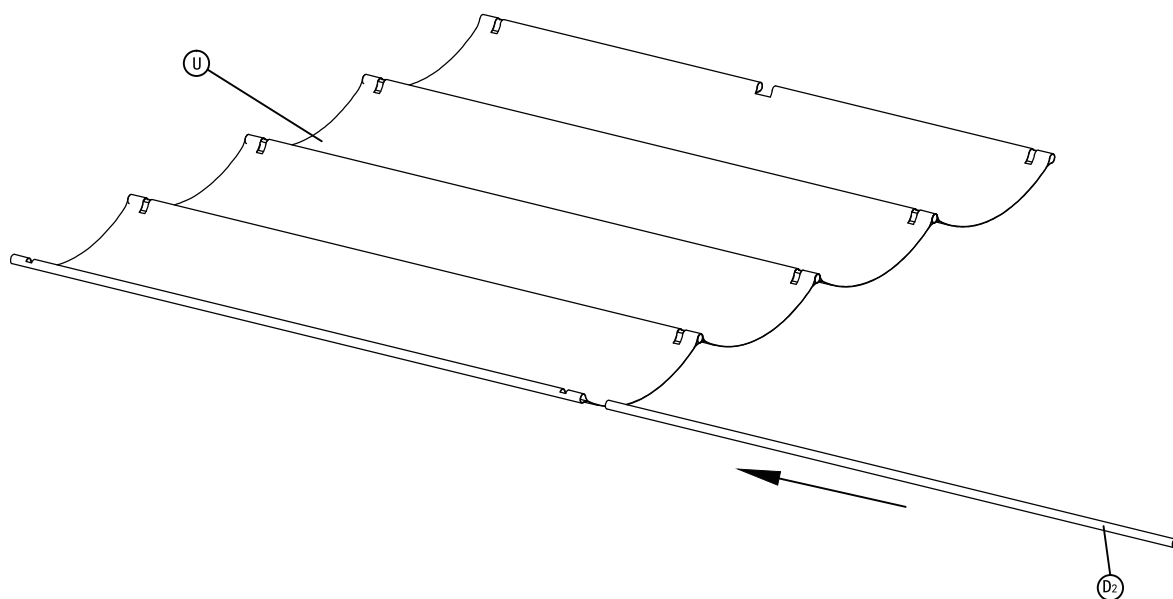
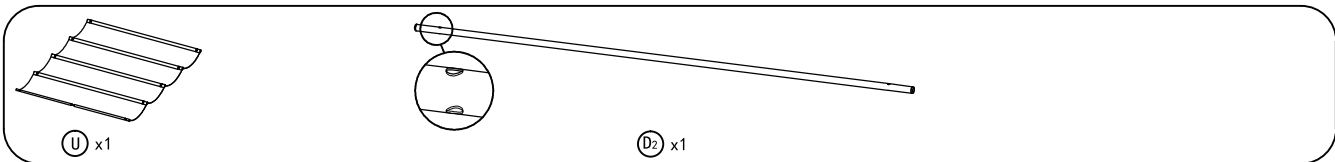
4X



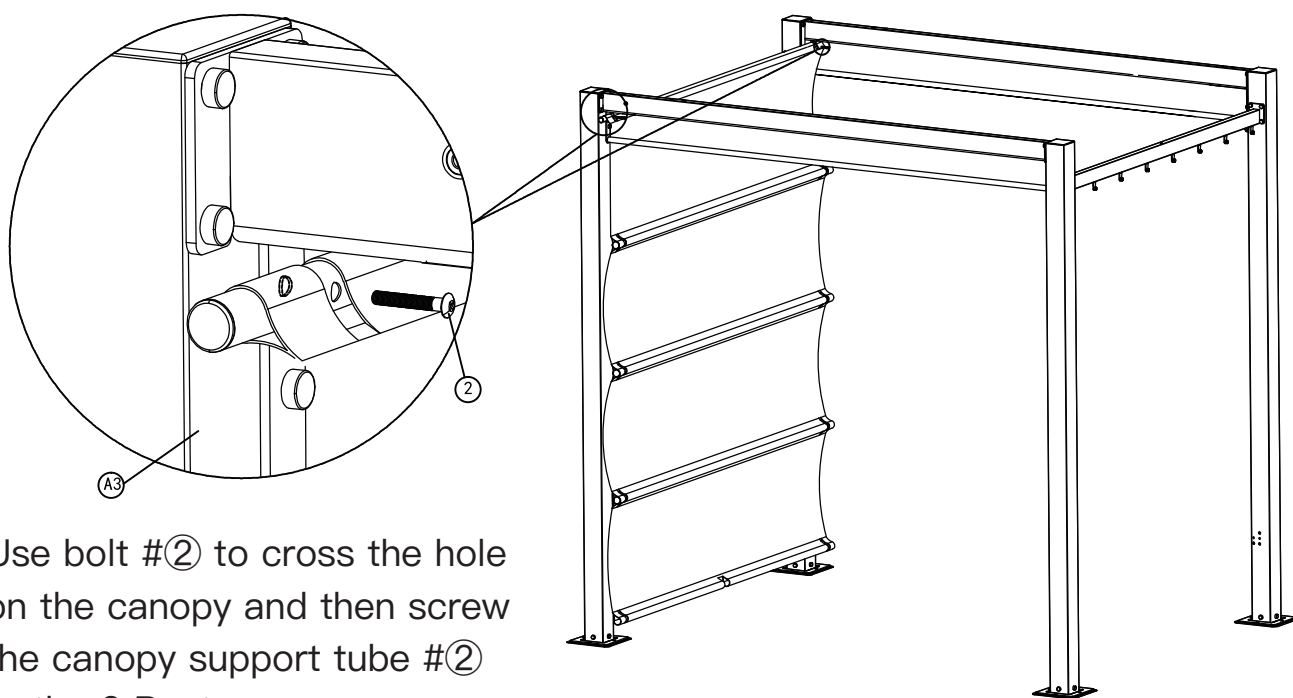
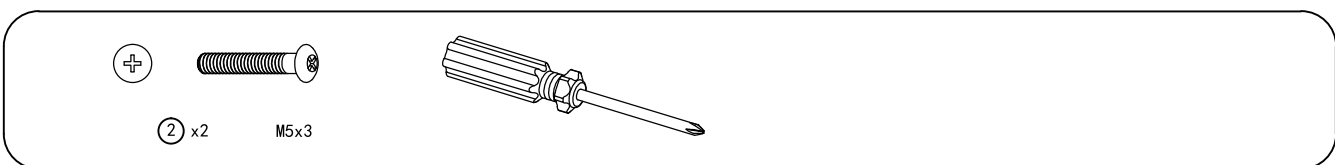
STEP 3

Install the Canopy.

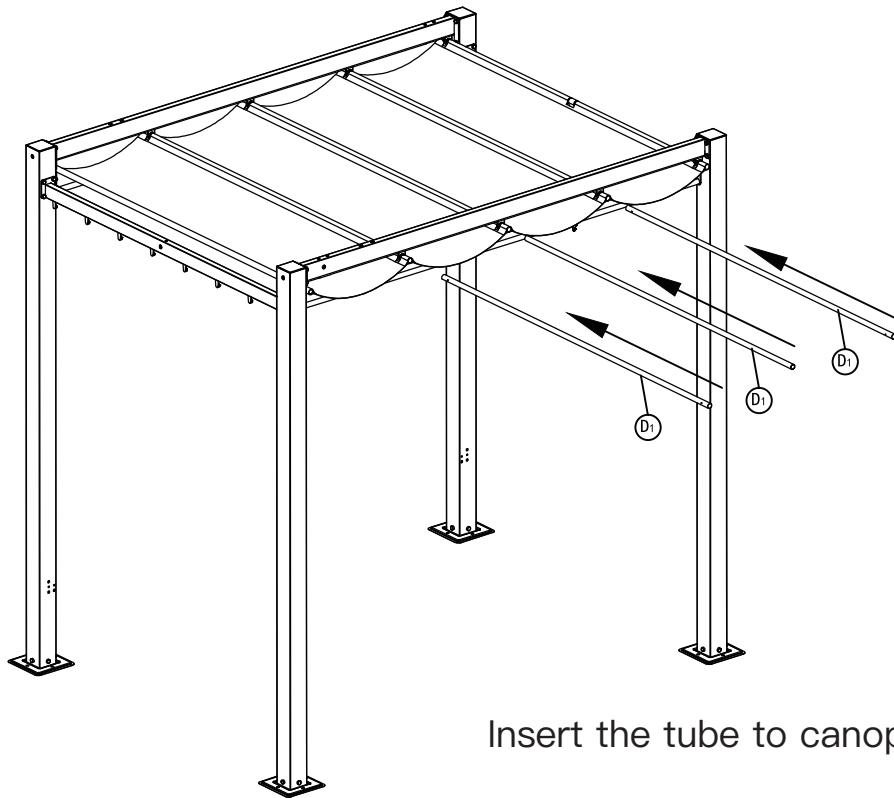




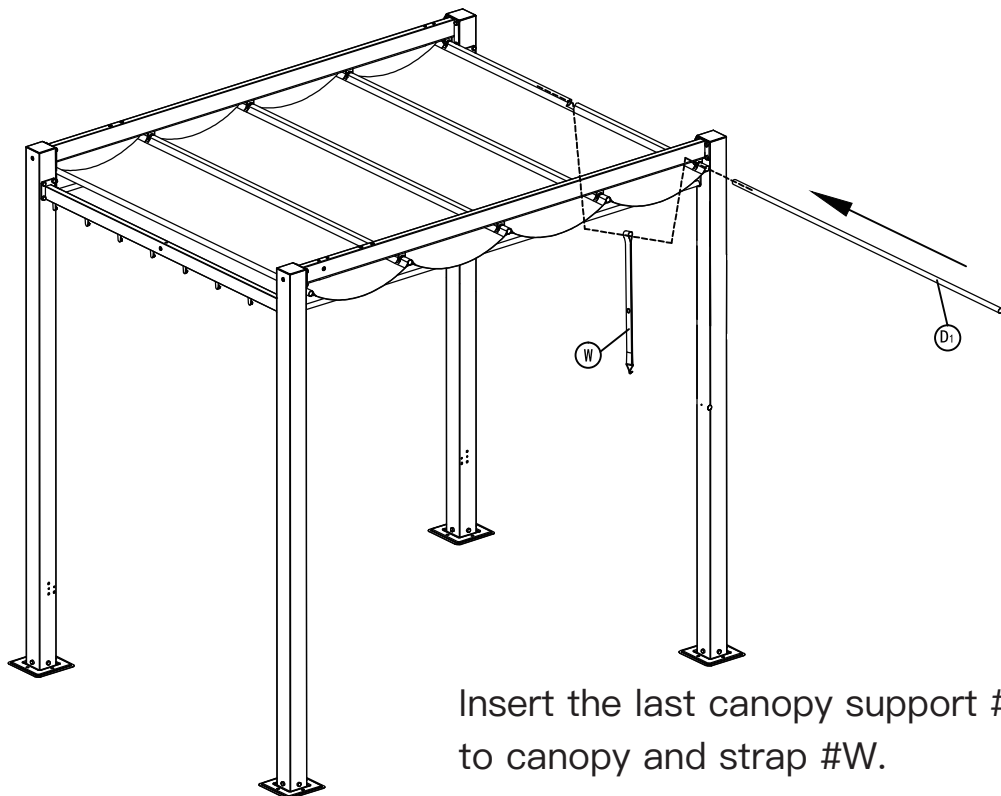
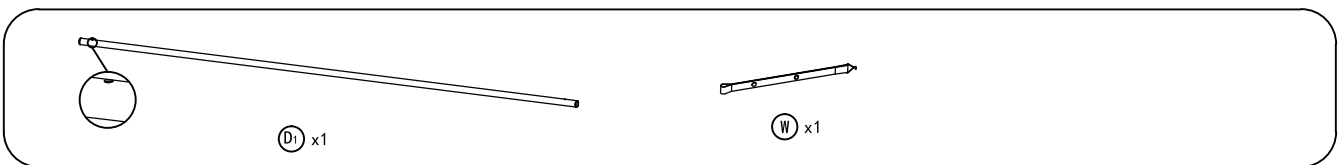
Insert the tube to canopy.



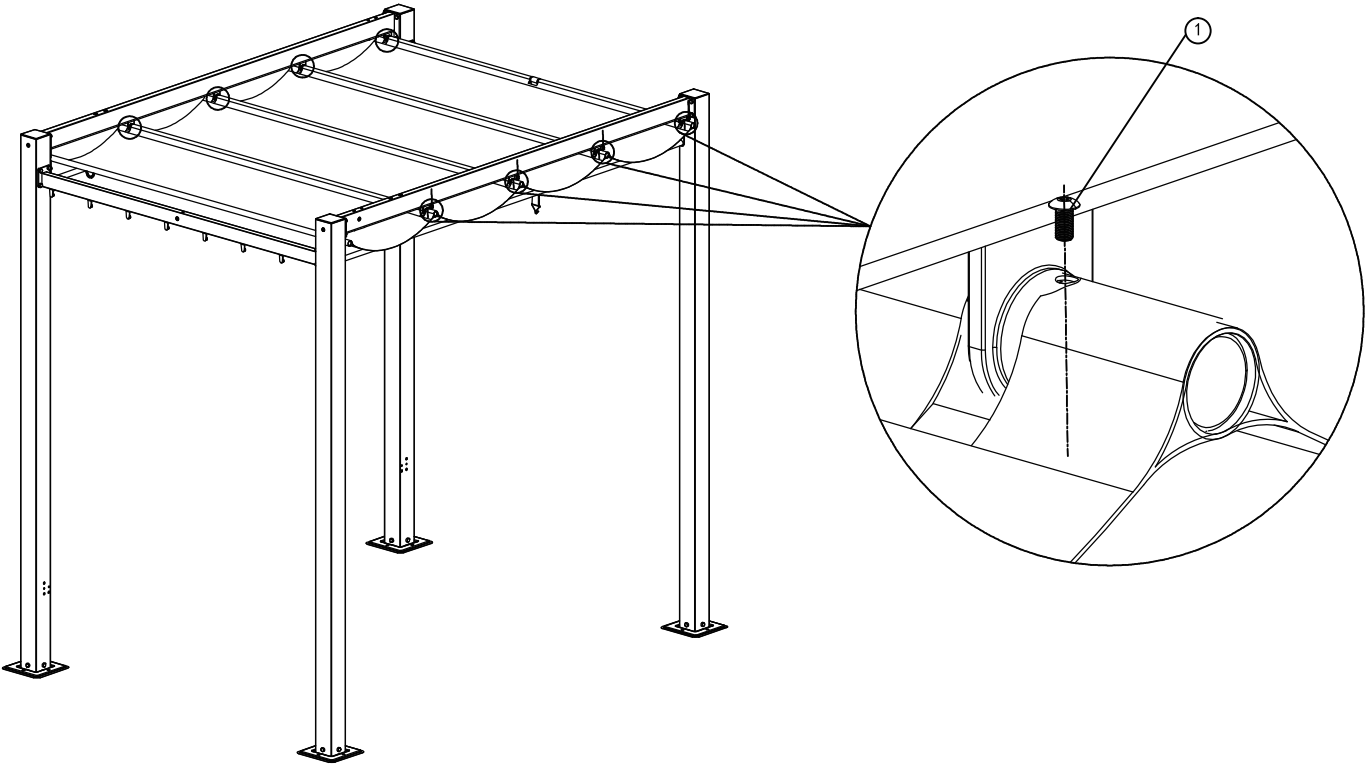
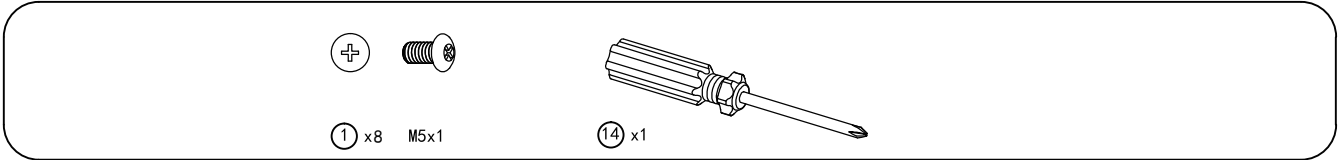
Use bolt #② to cross the hole on the canopy and then screw the canopy support tube #② to the 2 Posts.



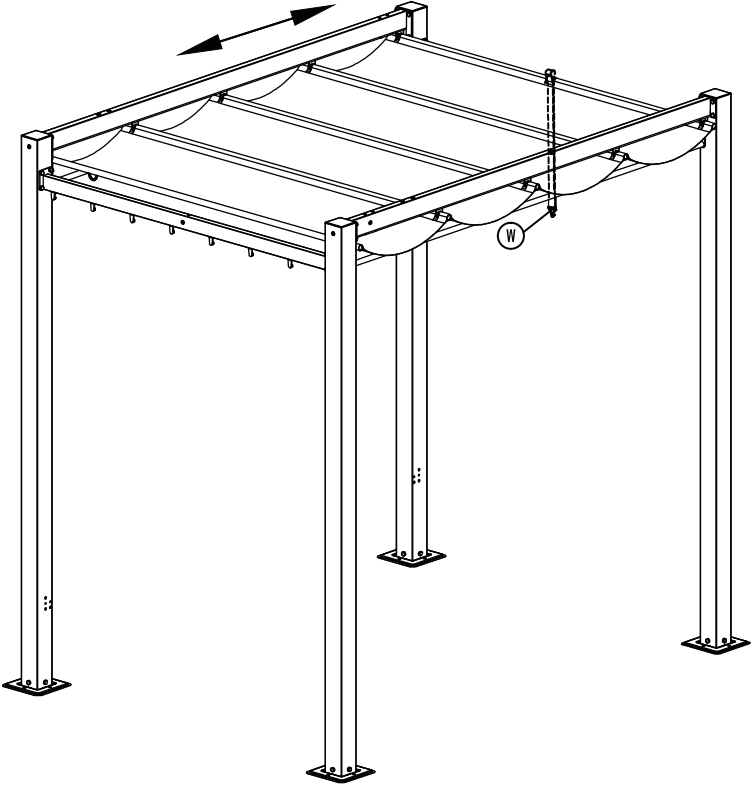
Insert the tube to canopy.

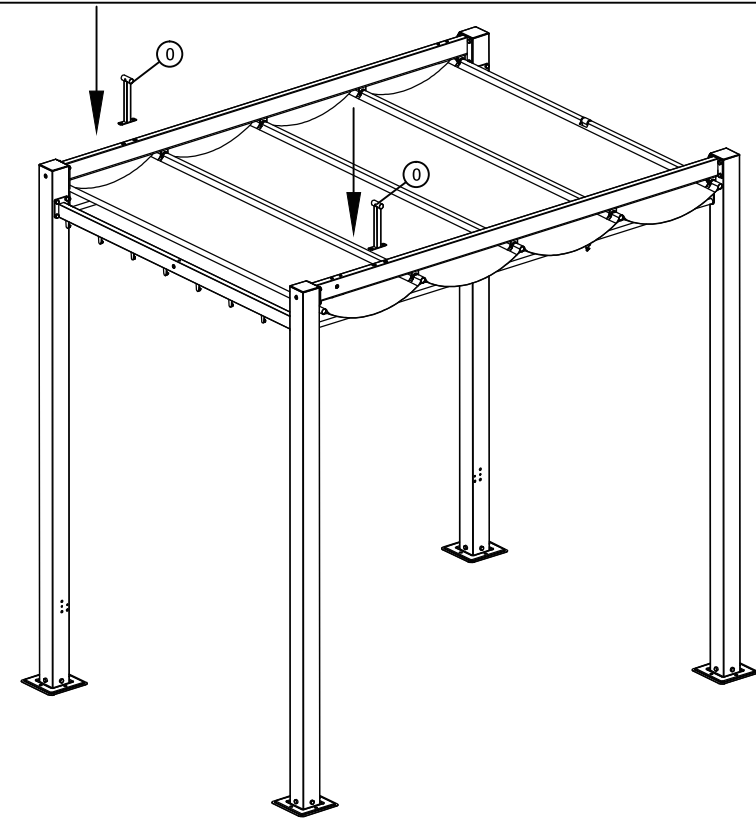
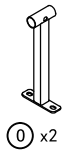


Insert the last canopy support #D1 to canopy and strap #W.



Use Strap #W to open and close the canopy.

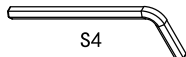




3 x4

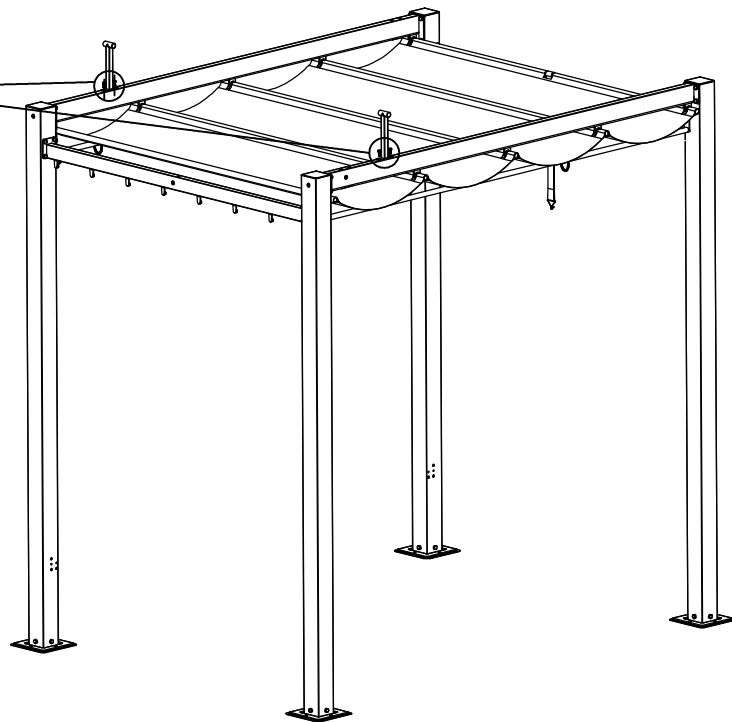
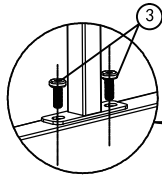


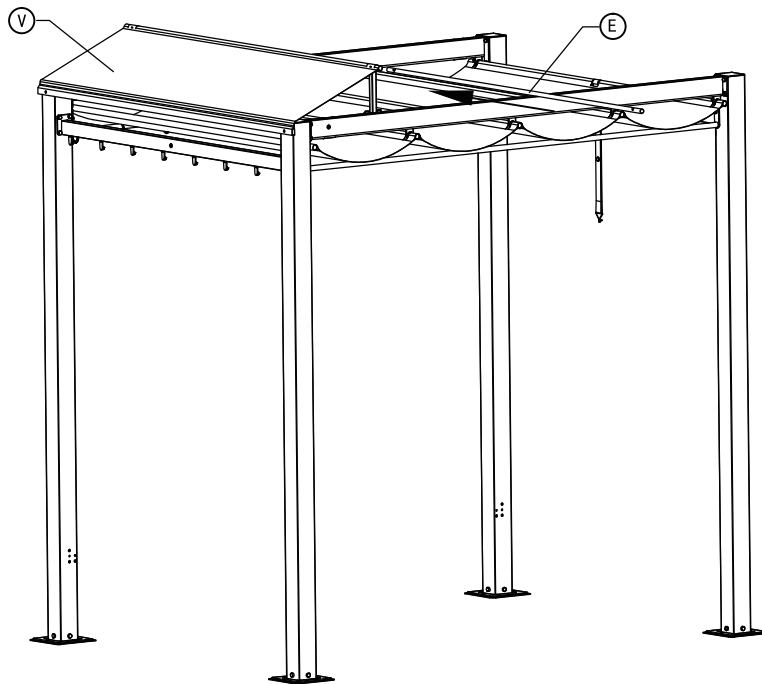
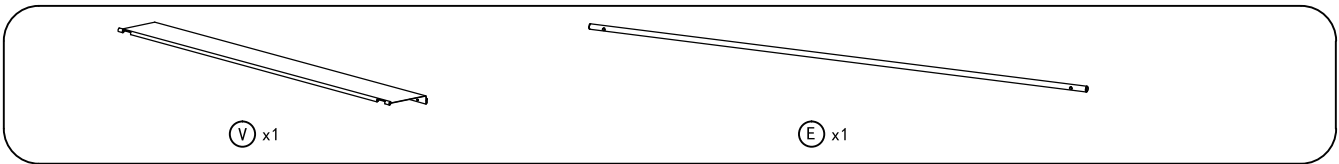
M6x16



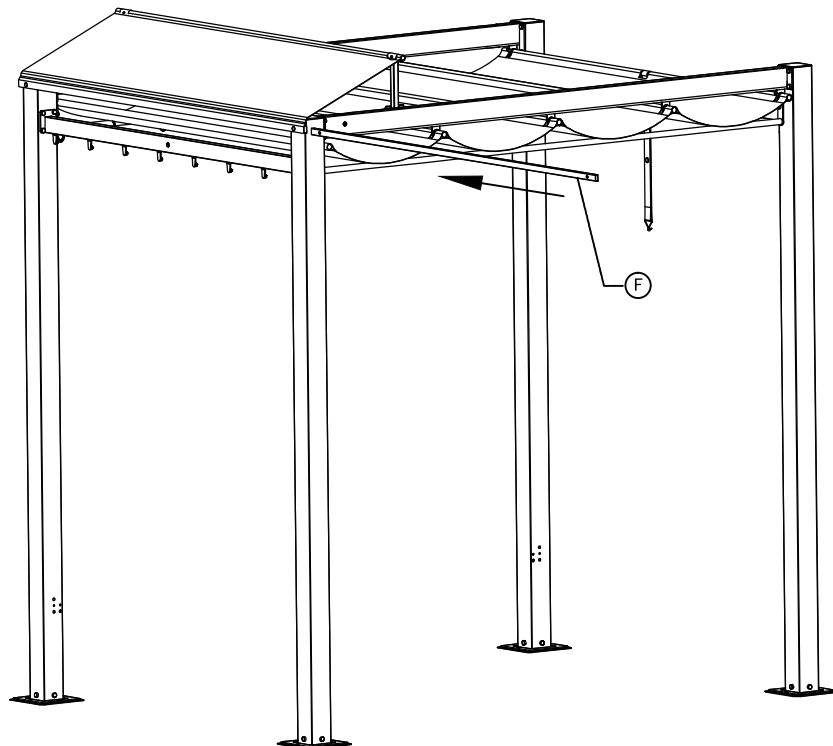
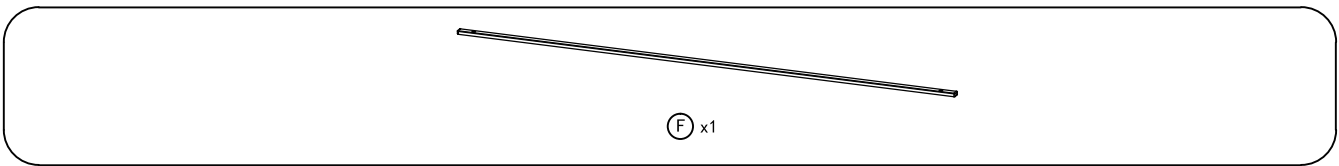
S4

13 x1



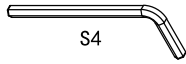


Insert the tube to small canopy.



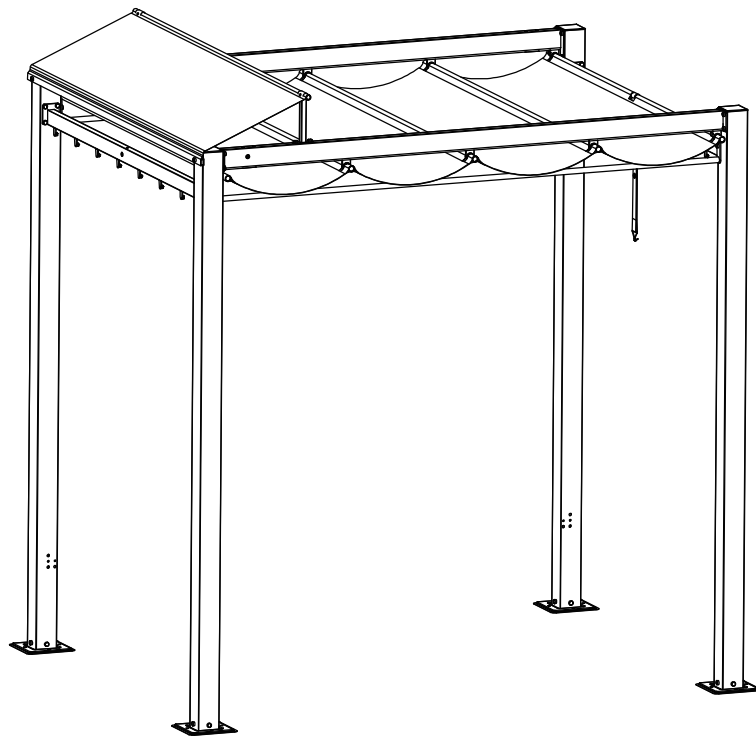
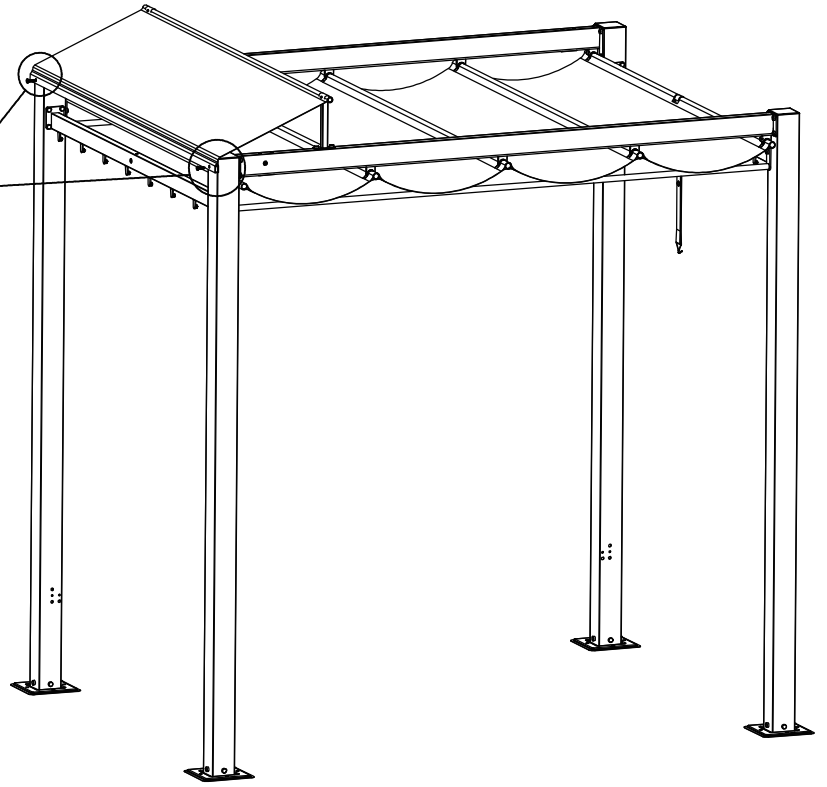
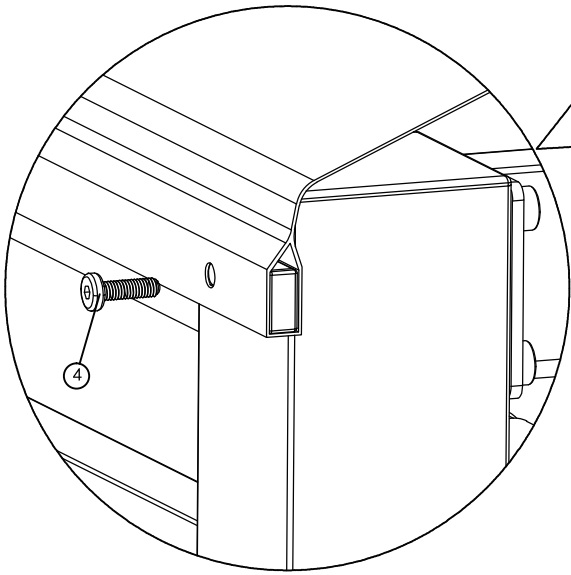


④ x2 M6x2



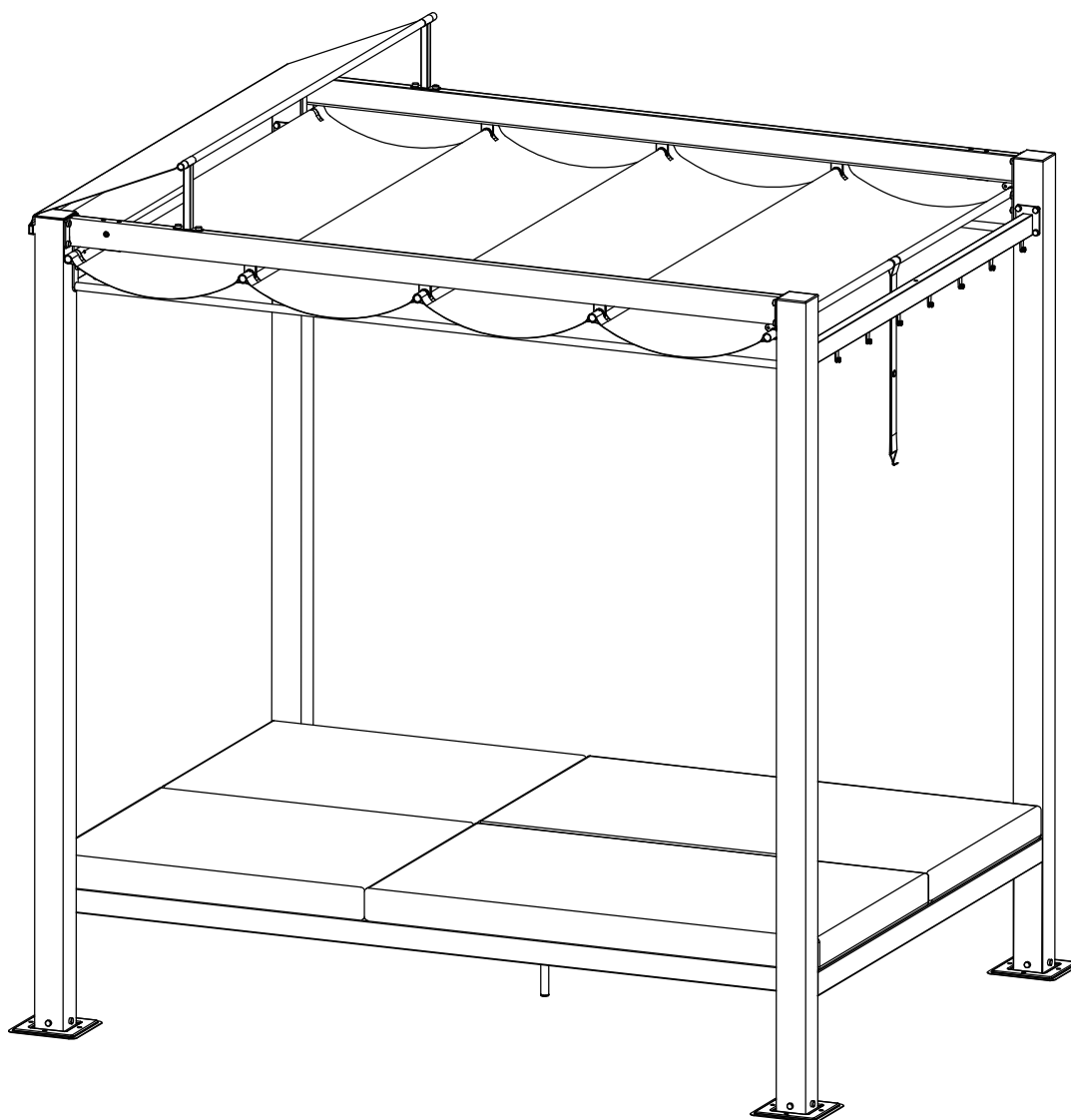
S4

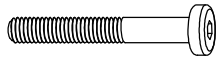
⑬ x1



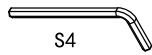
STEP 4

Install the bed frame to the posts.





7 x6 M6x45

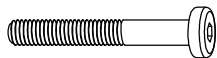
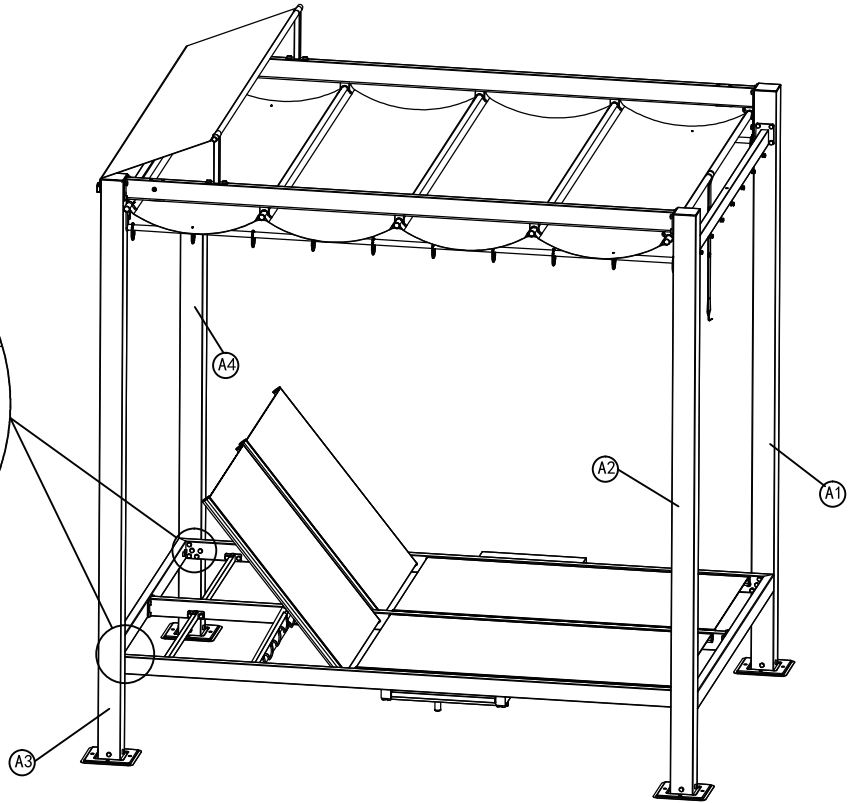
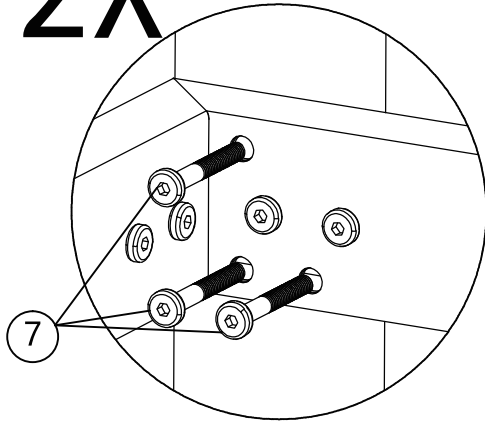


S4

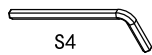
13 x1

⚠ Please don't tighten the bolts until all the 12 bolts are all screwed in the hole.

2X



7 x6 M6x45

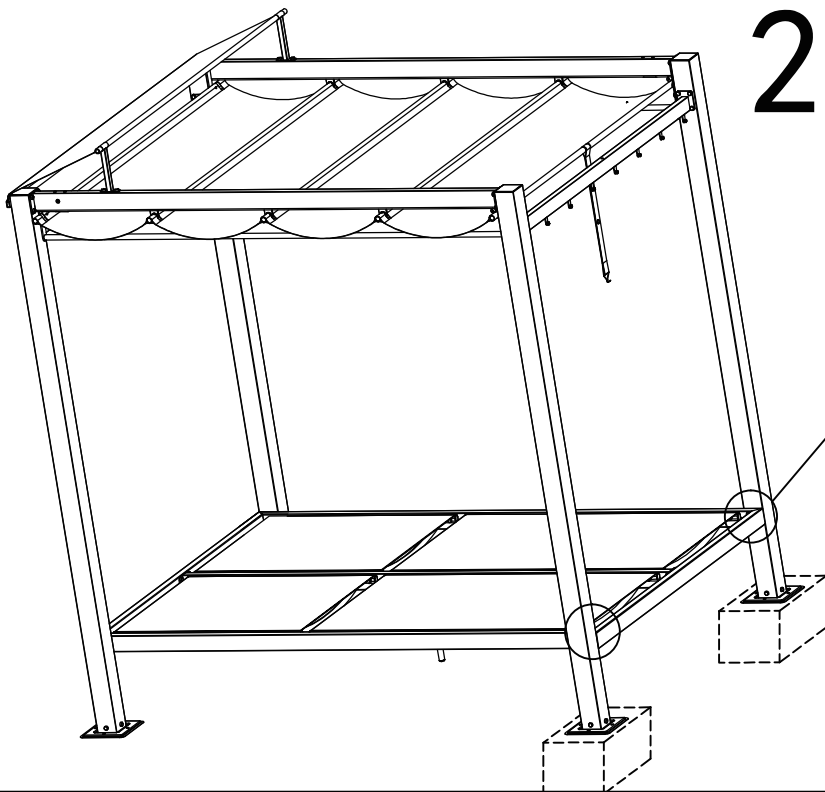
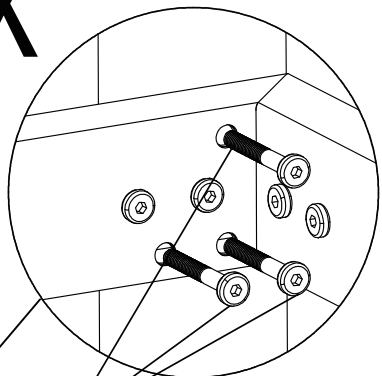


S4

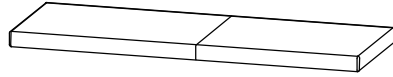
13 x1

⚠ Please don't tighten the bolts until all the 12 bolts are all screwed in the hole.

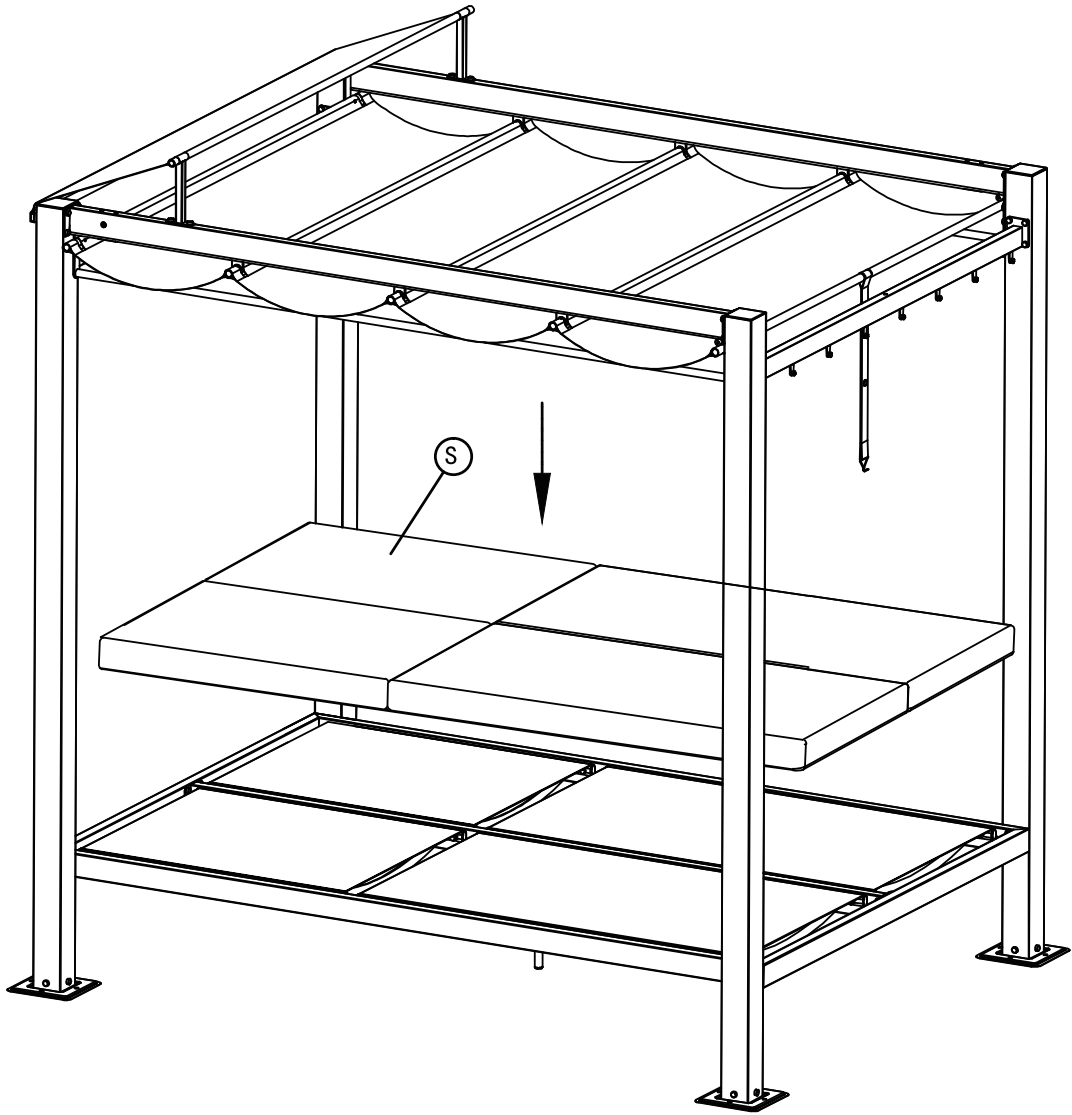
2X



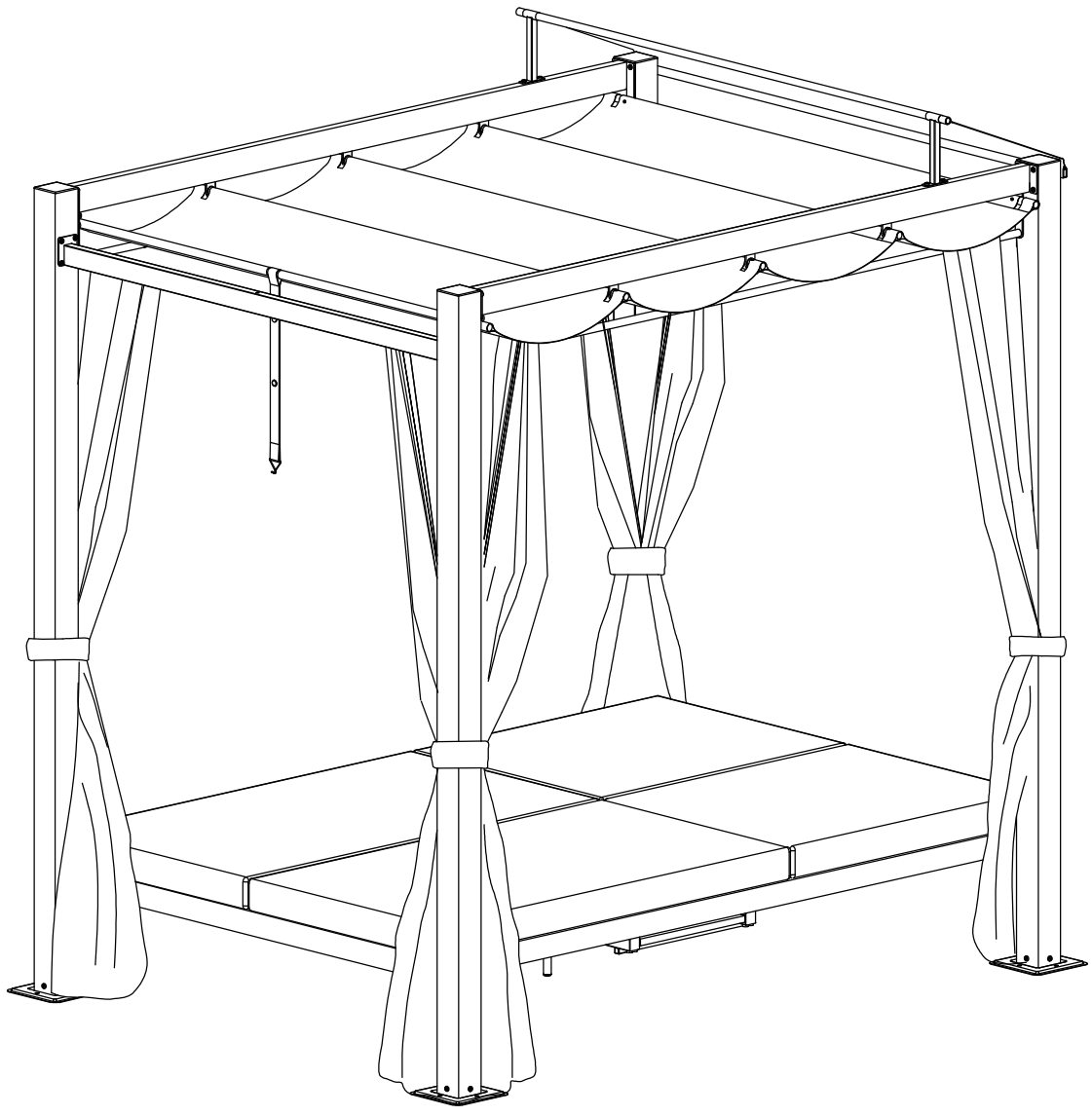
In order to better complete the installation, we suggest that you could take something to raise the two posts before tightening the bolts.

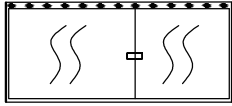


Ⓢ x2

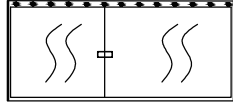


STEP 5





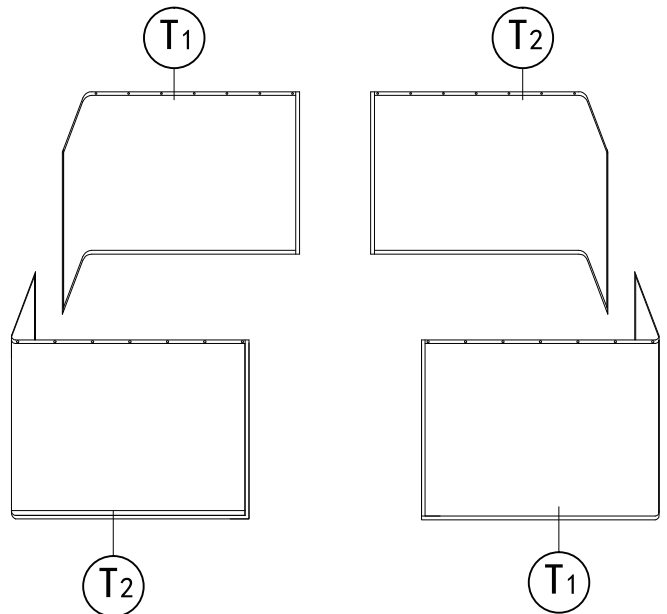
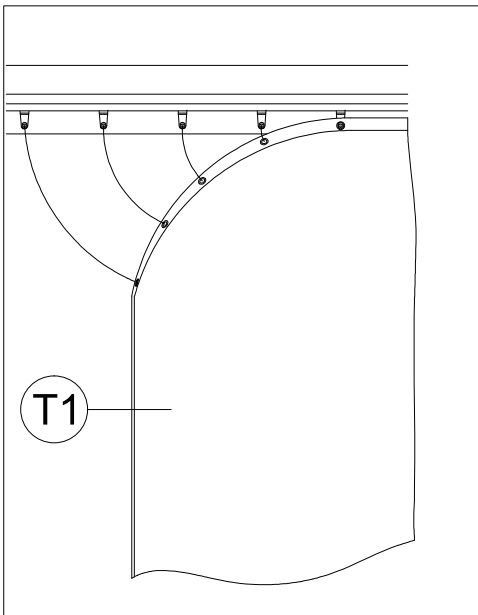
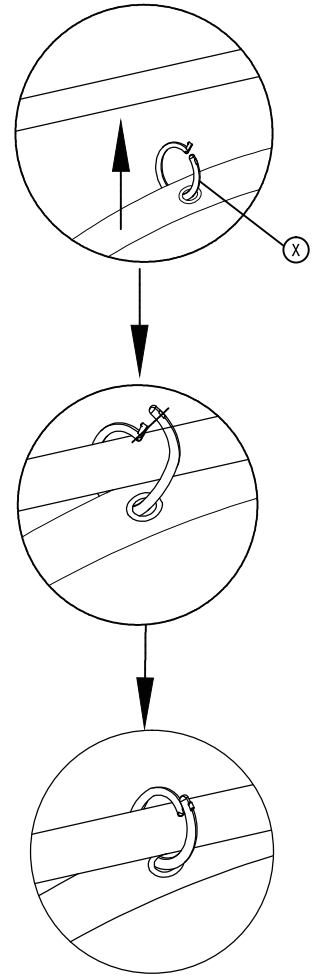
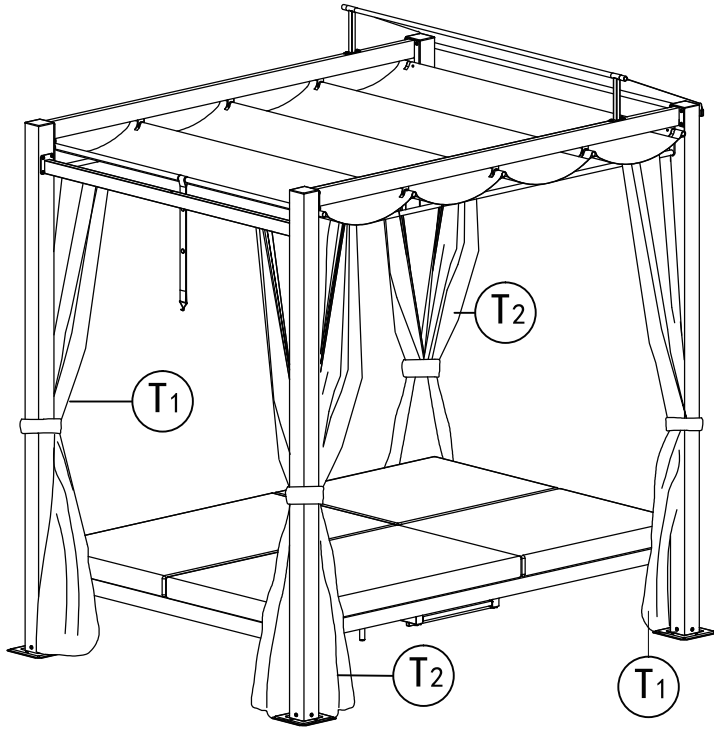
T1 x2



T2 x2



X x2





RESORT COMFORT IN YONR
OWN BACKYARD

Thanks for your purchase.

At domi outdoor living, we believe in our products.

That's why we provide a 12-month warranty and friendly, easy-to-reach after-sales service. So if you have any questions about our product and assembly, please feel free to contact us. We will be here for you.

Support:  

email: service@domioutdoorliving.com

Please tell us your order ID when contact.

Attach photos of damaged part for instant reply.