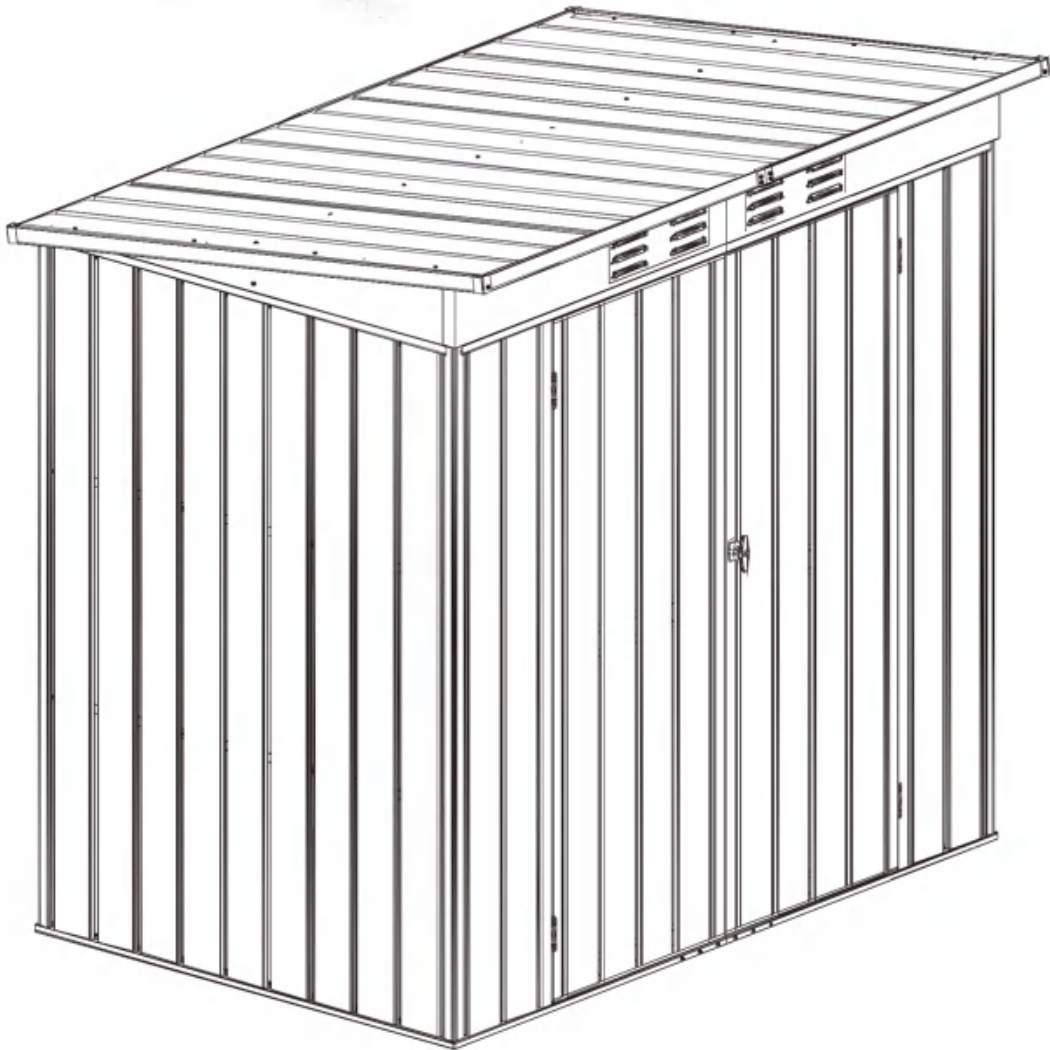




6'x4'TOOL STORAGE SHED

MODEL#: LGCF1601

ASSEMBLY MANUAL



Missing part? Damaged? Contact us via email at
service@domioutdoorliving.com

Pre-assembly



1. Two or more people are required for assembly.



2. You will need one or more stepladders.



3. Wearing protective gloves is recommended.



4. You may need a safety hat.



5. Please use a Phillips screw driver.



6. For ease of construction, you may need a drill.



7. You may need a safety goggle.



8. Do not fully tighten screws prior to complete assembly.

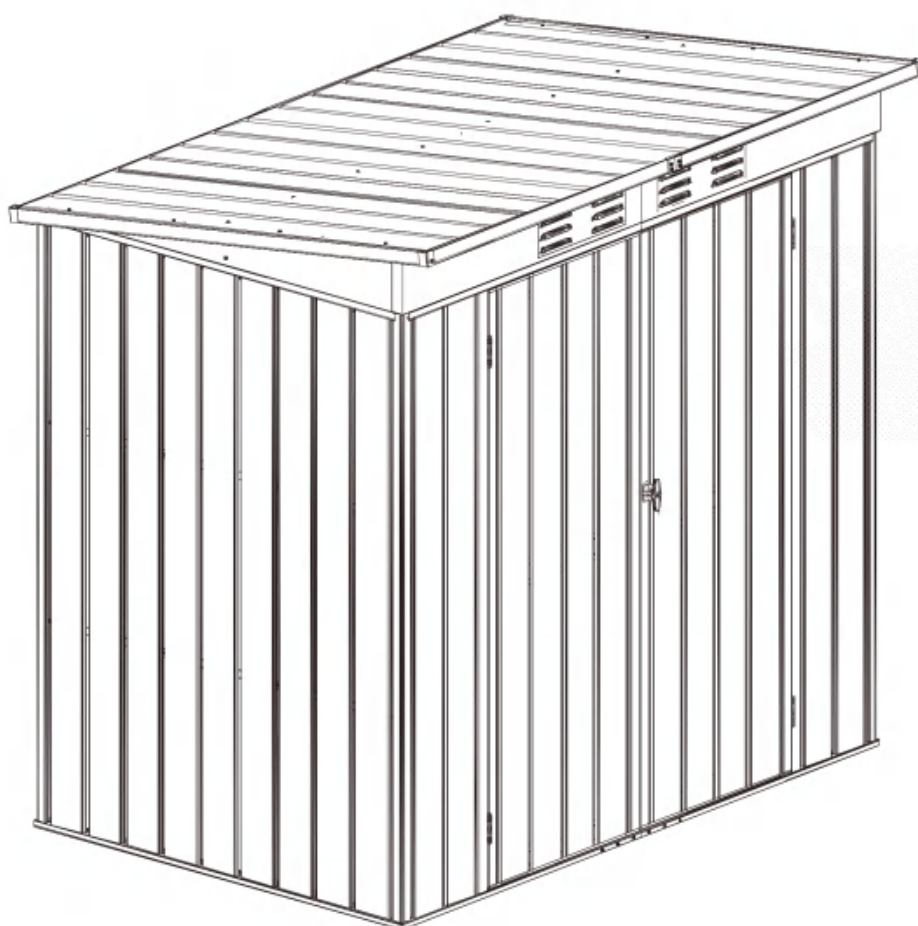
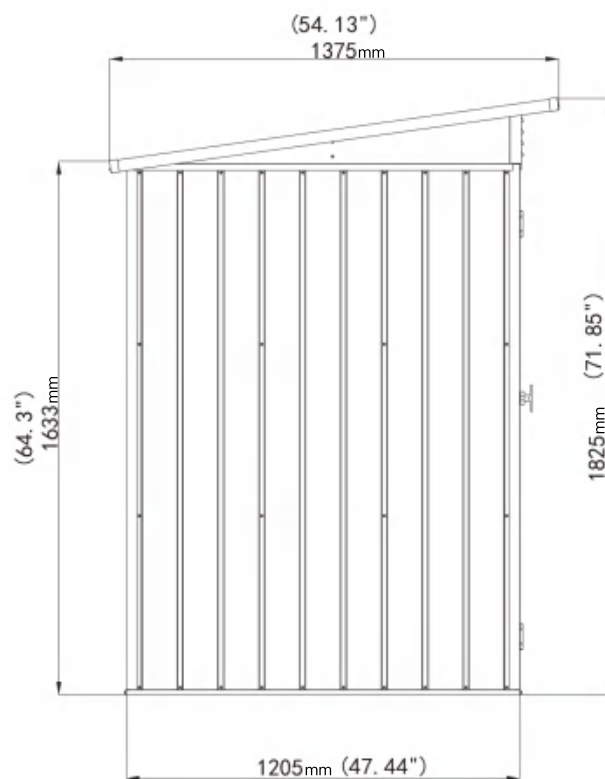
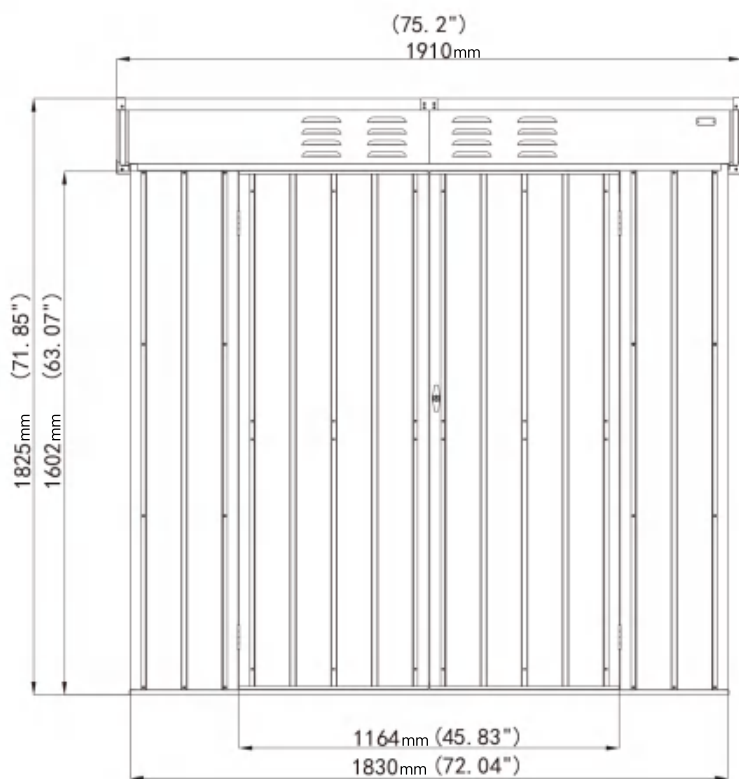
Warning & Attention

-Try to assemble this product on the flat ground, otherwise it is difficult to carry out;

-It would be much easier to assemble the product with three or more people;


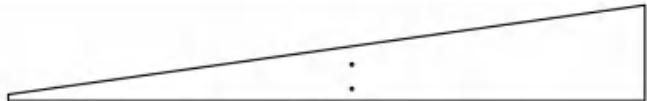

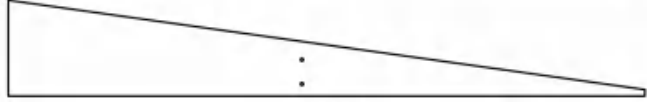

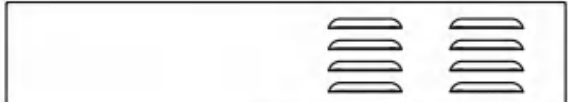

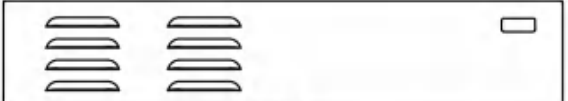
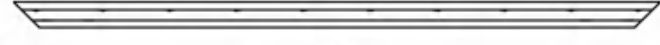
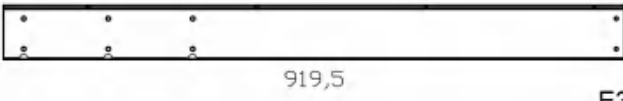
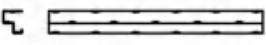
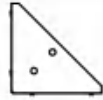

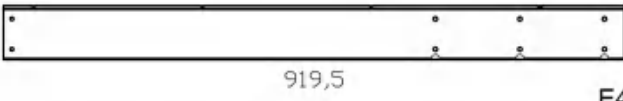
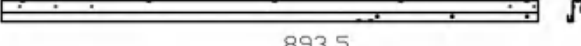
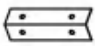
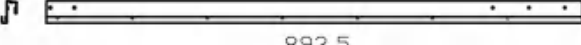
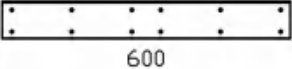
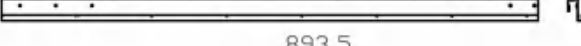

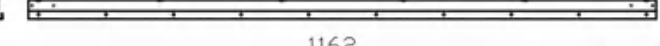

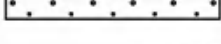
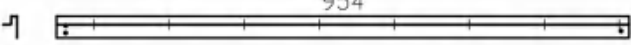
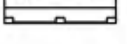
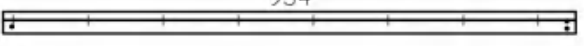


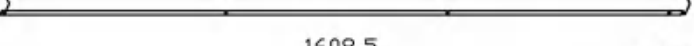

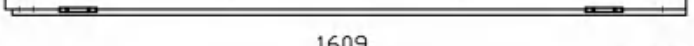
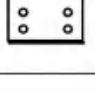
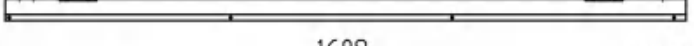





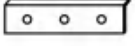


-After assembly, please check whether all screws are tightened, to prevent parts from falling apart.

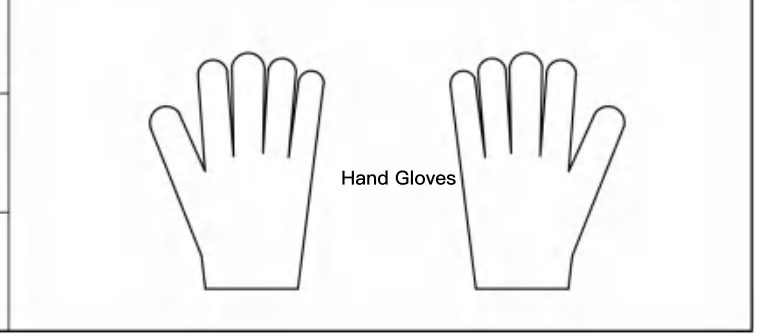
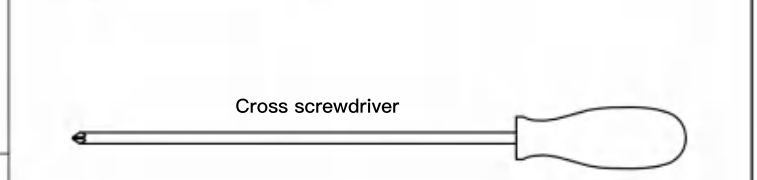
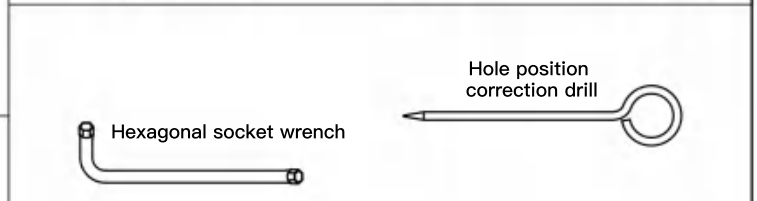
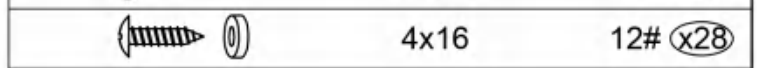
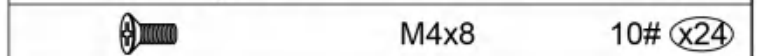
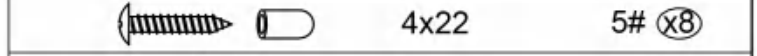
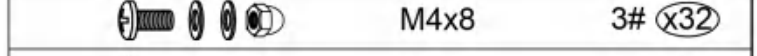
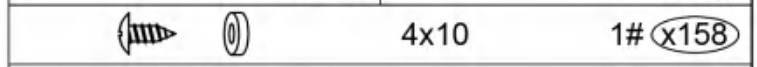
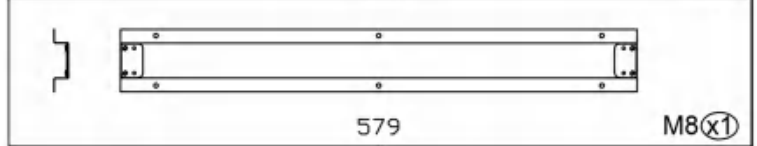
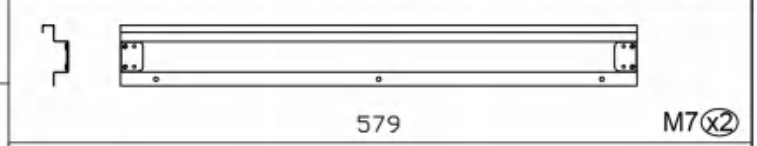
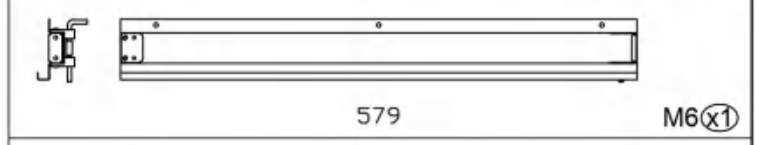
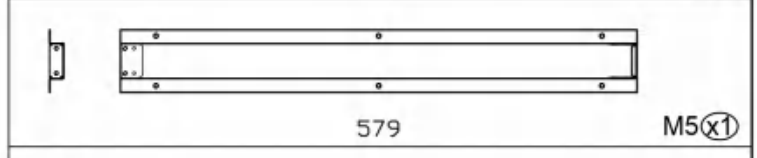
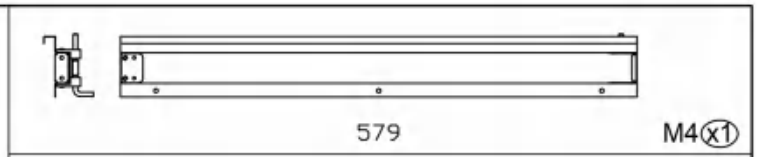
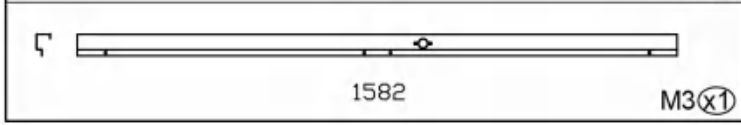
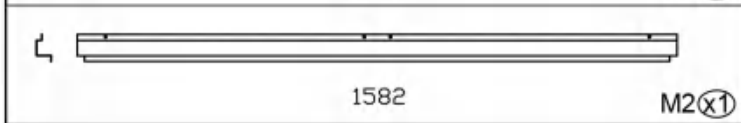
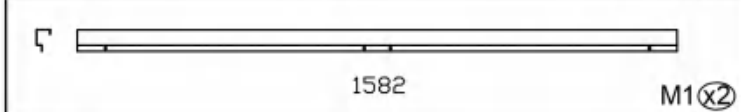
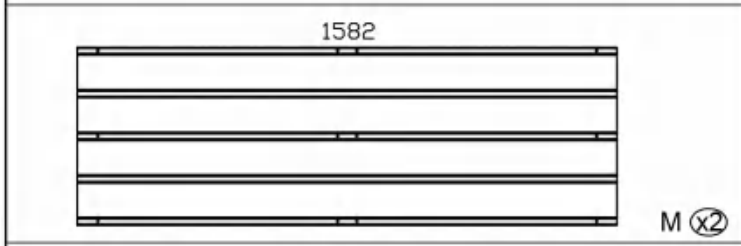
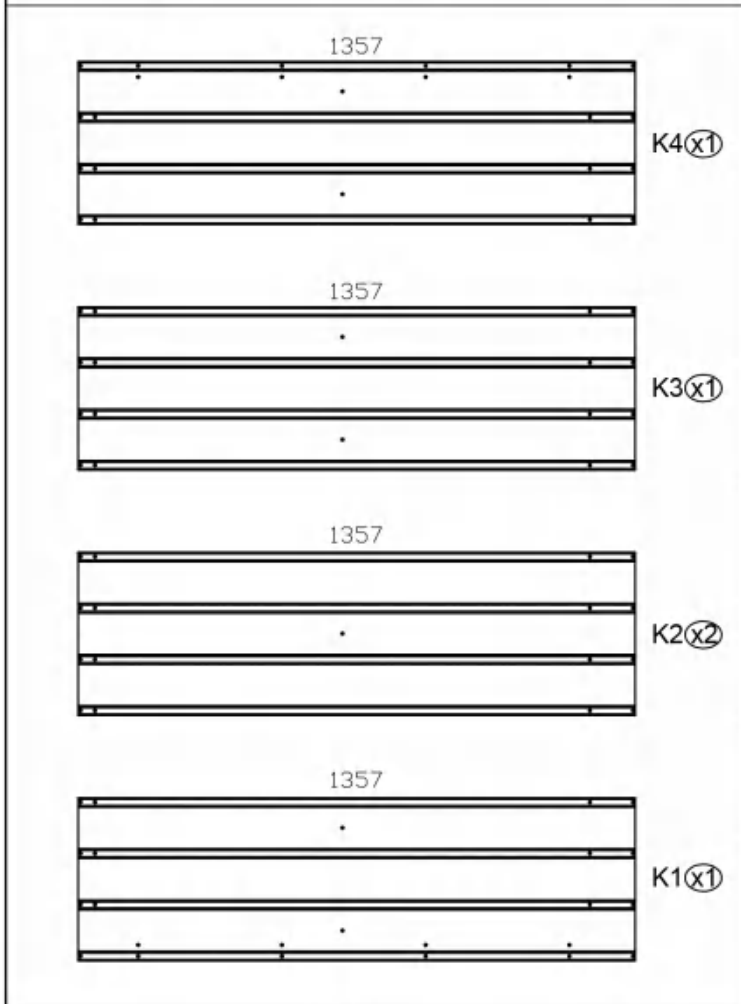
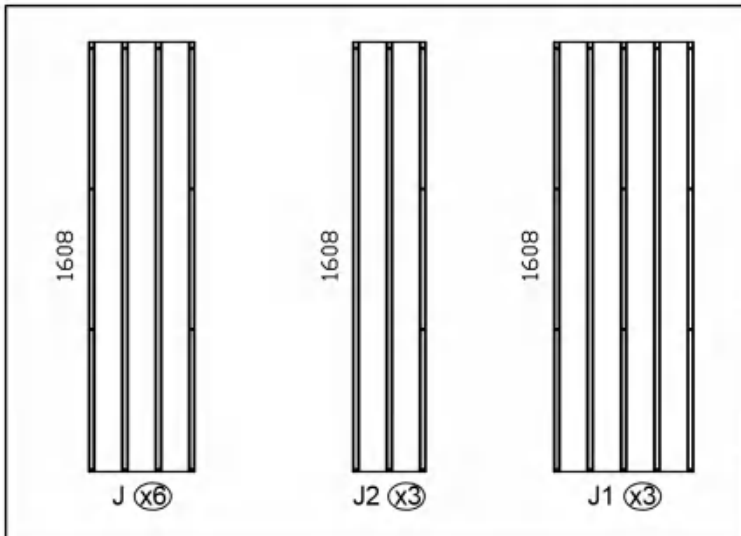
▲ Use bolts to secure the frame to the ground to against the strong wind.



1601-00

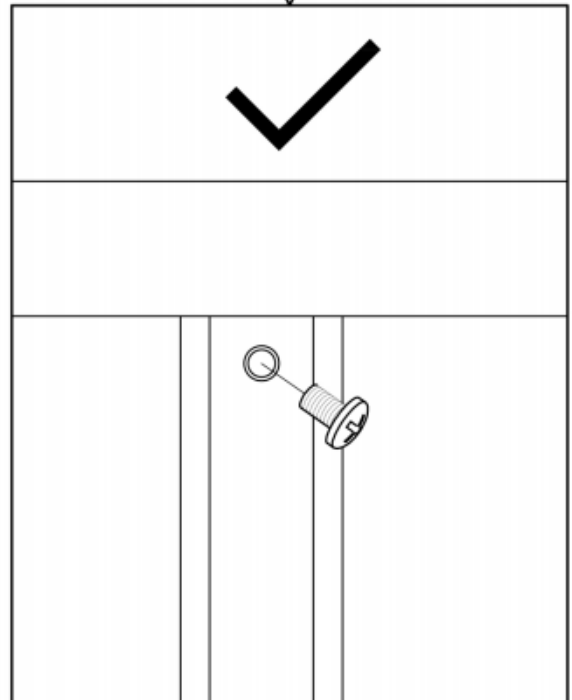
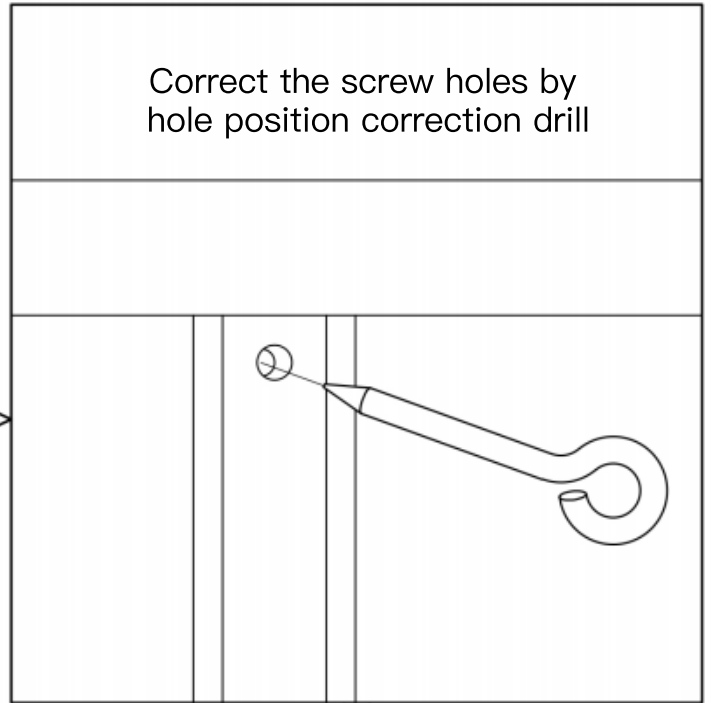
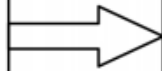
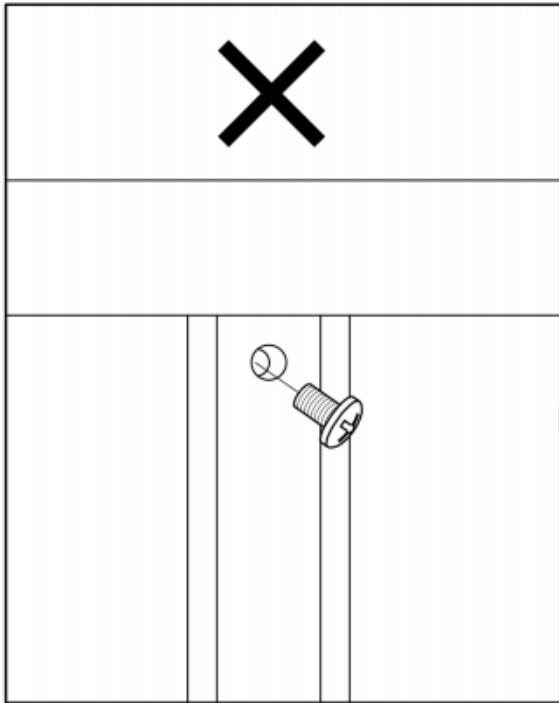
The manual will assist you during the whole process of assembling.
 Make sure you have all the parts & hardware as list 1 and list 2 shown;
 Prepare the level ground for installation.

 916 A1(x1)	 1178,5 D1(x1)
 916 A2(x1)	 1178,5 D2(x1)
 916 A3(x1)	 919,9 E1(x1)
 916 A4(x1)	 919,9 E2(x1)
 1207 A5(x2)	 919,5 E3(x1)
 A7(x2)	 A(x4)
 893,5 B1(x1)	 919,5 E4(x1)
 893,5 B2(x1)	 D3(x2)
 893,5 B3(x1)	 600 E5(x1)
 893,5 B4(x1)	 1357 G1(x1)
 1162 B5(x2)	 1357 G2(x1)
 B7(x2)	 954 G3(x2)
 B8(x1)	 954 G4(x2)
 B(x4)	 G5(x2)
 1608,5 C(x4)	 G6(x2)
 1609 C1(x1)	 G7(x2)
 1609 C2(x1)	 887 H3(x2)
 C3(x2)	 887 H4(x2)
 C4(x2)	 1149 H5 x4
 H7(x2)	 Y(x4)
	 Z(x8)

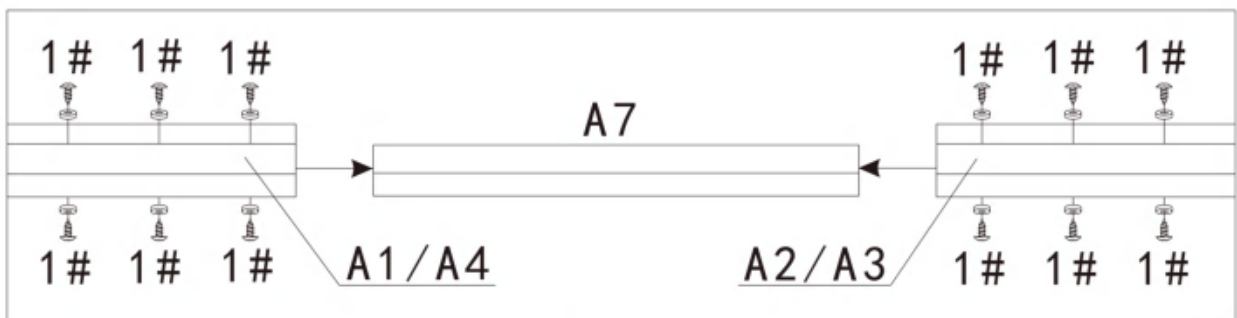
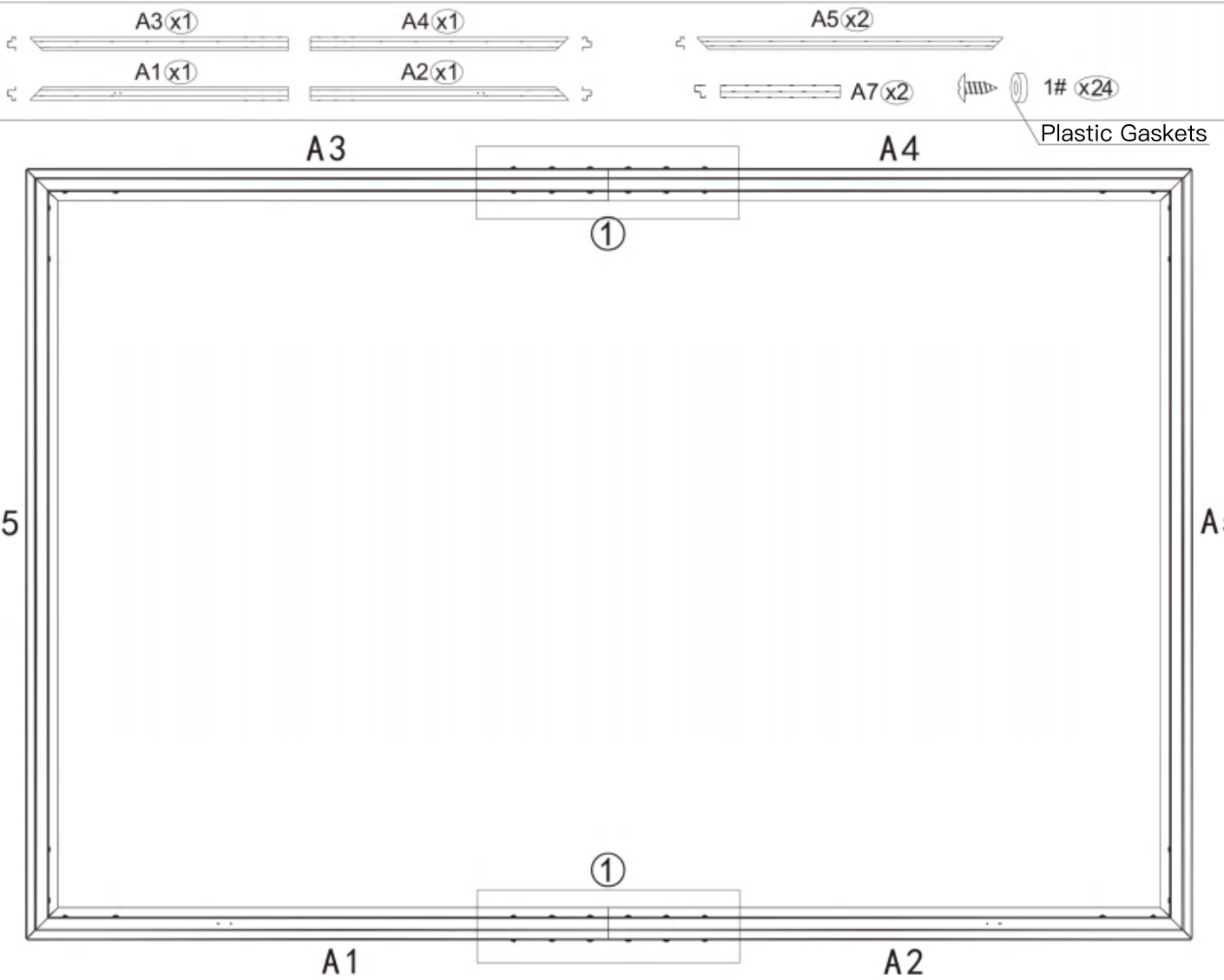




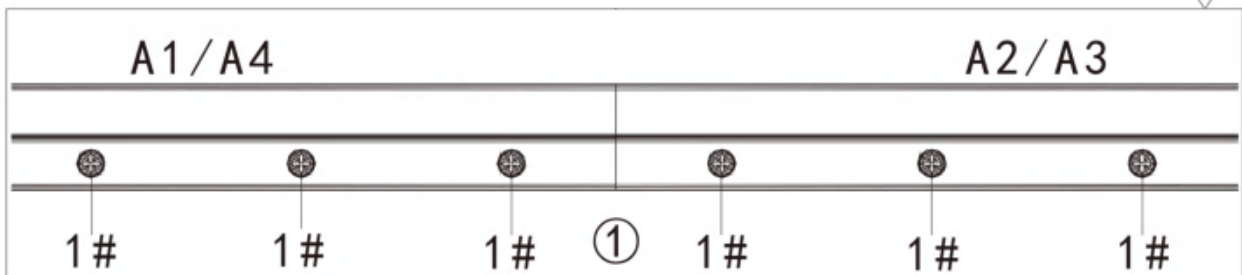
Hole position correction drill



If the screw holes are not symmetrical, you can use this tool to correct the hole position.

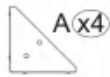


1. Firstly, use part#A7 to connect part#A1(A4) and part#A2(A3) respectively and then form the bottom frame with part#A5 and fix by screws 1# and gaskets.



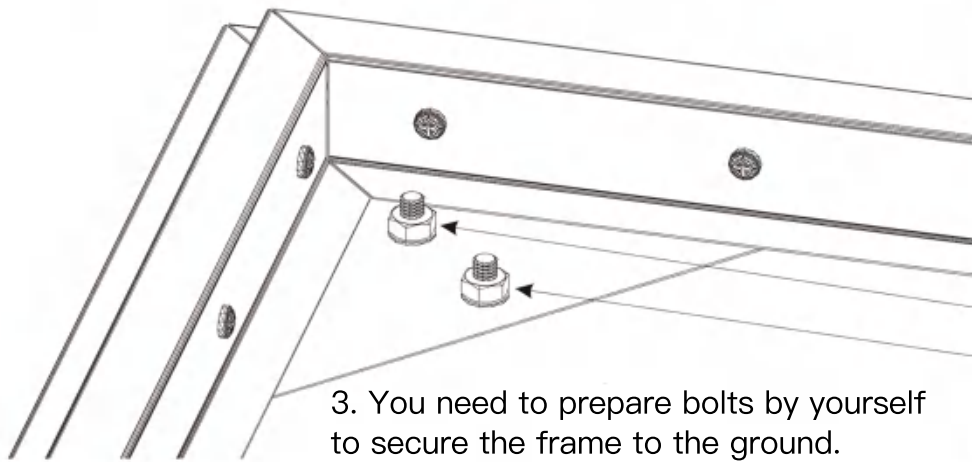
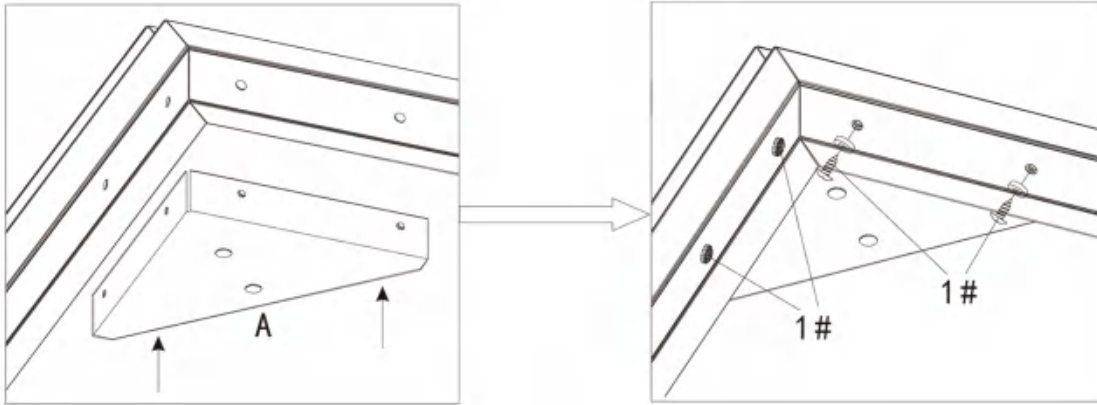
▲ Attention: four corners MUST be right angles and check if the two diagonal distance of square is equal by tape measure

Plastic Gaskets 1# x16



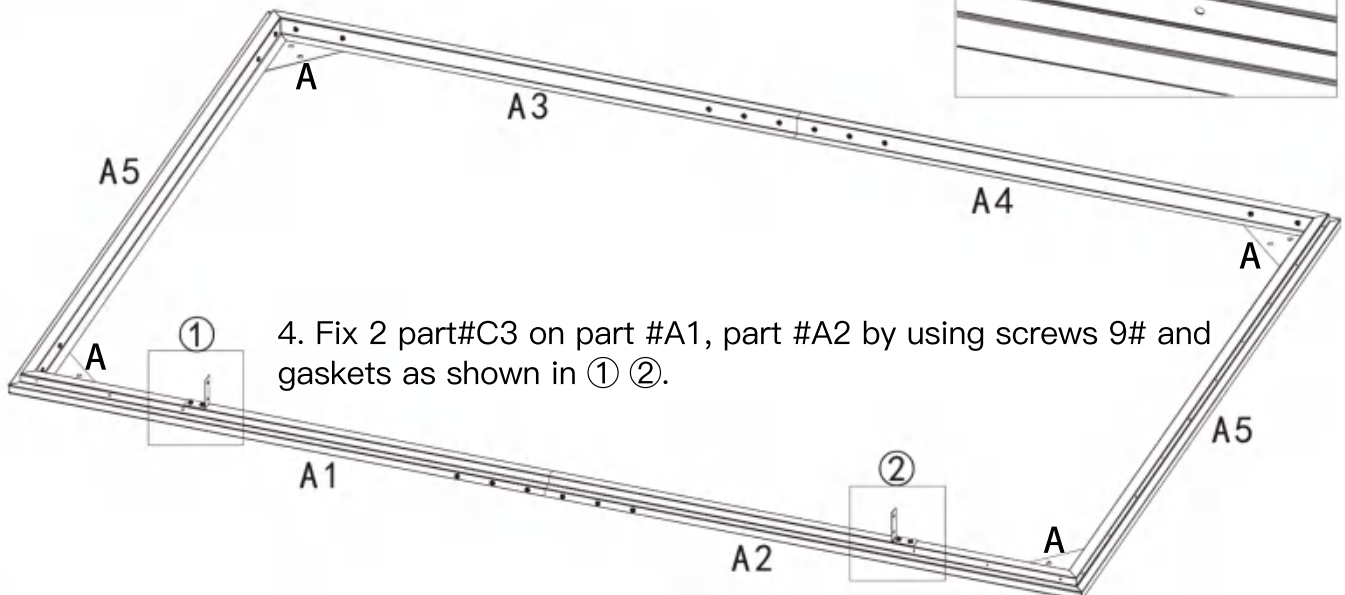
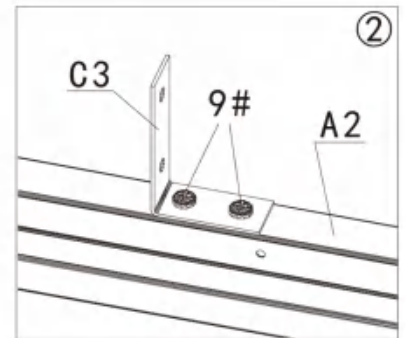
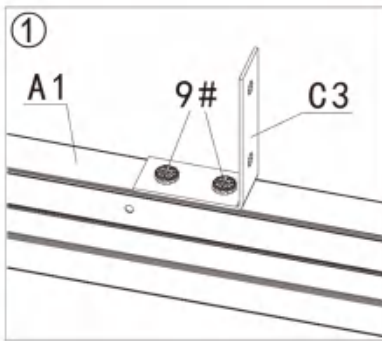
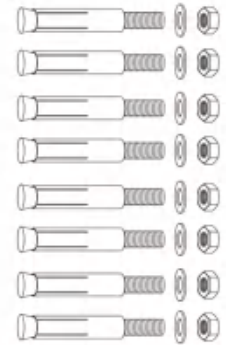
Plastic Gaskets 9# x4

2. Fix the corners with part#A and fasten with screws 1# and gaskets.

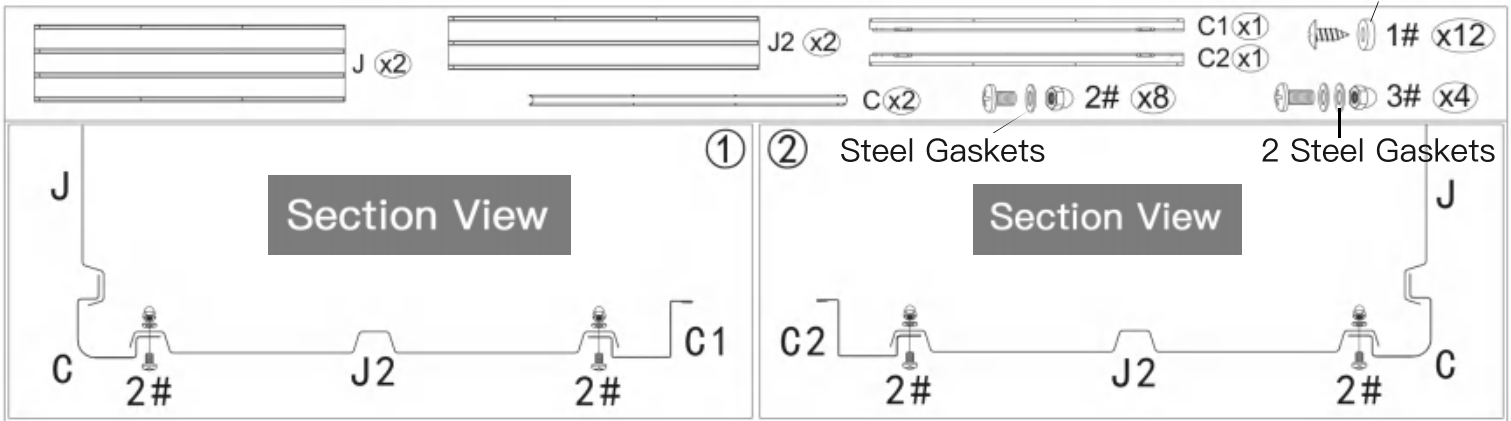


3. You need to prepare bolts by yourself to secure the frame to the ground.

M6-8pcs

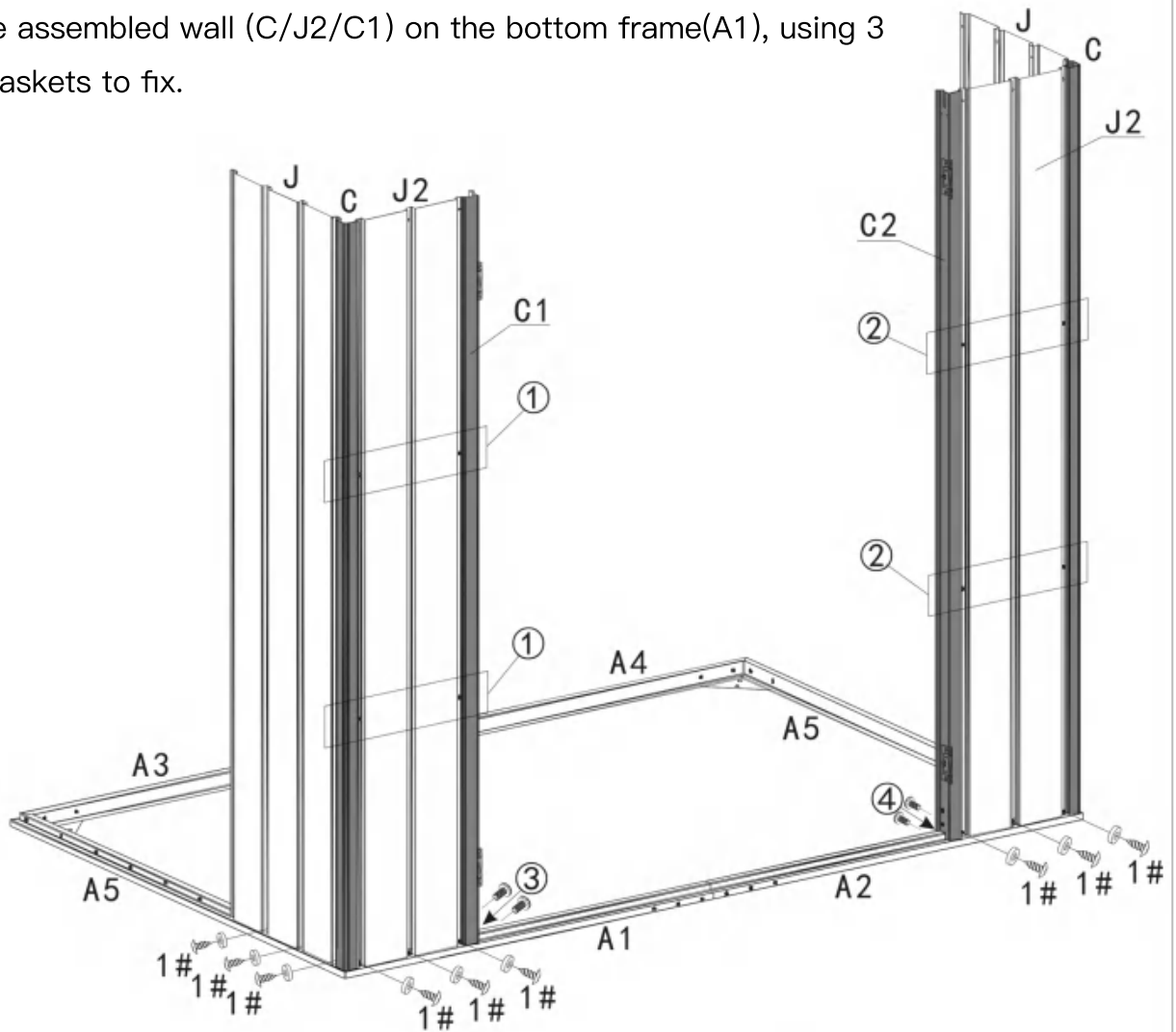


4. Fix 2 part#C3 on part #A1, part #A2 by using screws 9# and gaskets as shown in ① ②.



Step 1: Install part #C/J2/C1 with screws 2#, gaskets and nuts as shown in ①.

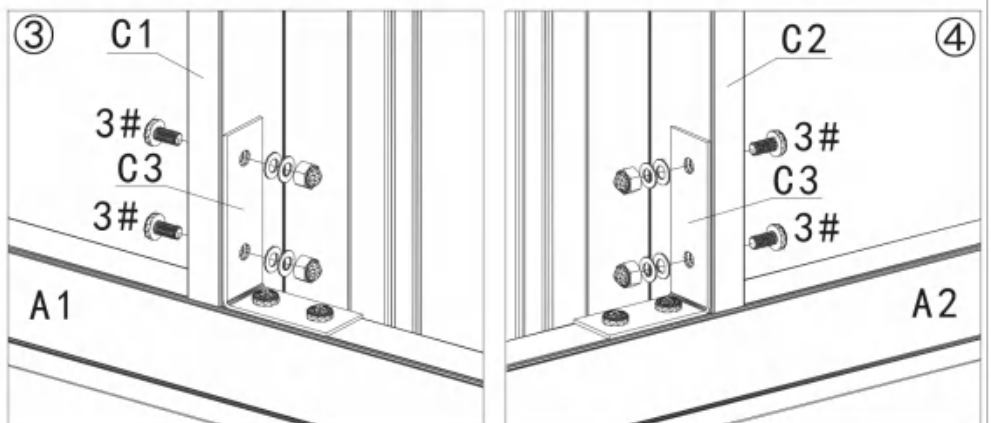
Step 2: Place the assembled wall (C/J2/C1) on the bottom frame(A1), using 3 screws 1# and gaskets to fix.



Step 3: Place part#J on the bottom frame(A5), using 3 screws 1# and gaskets to fix.

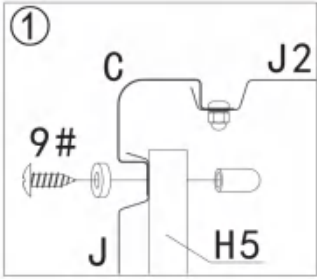
Repeat the above procedures to assemble the another side.

Step 4: Fix the part #C3 to the part #C1(C2) with 2 screws 3#, gaskets and nuts each as shown in ③④.

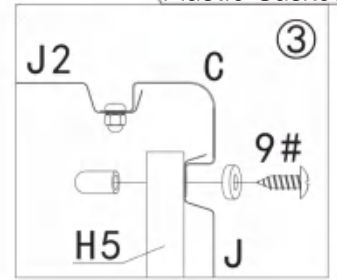




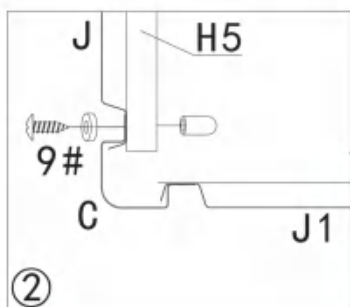
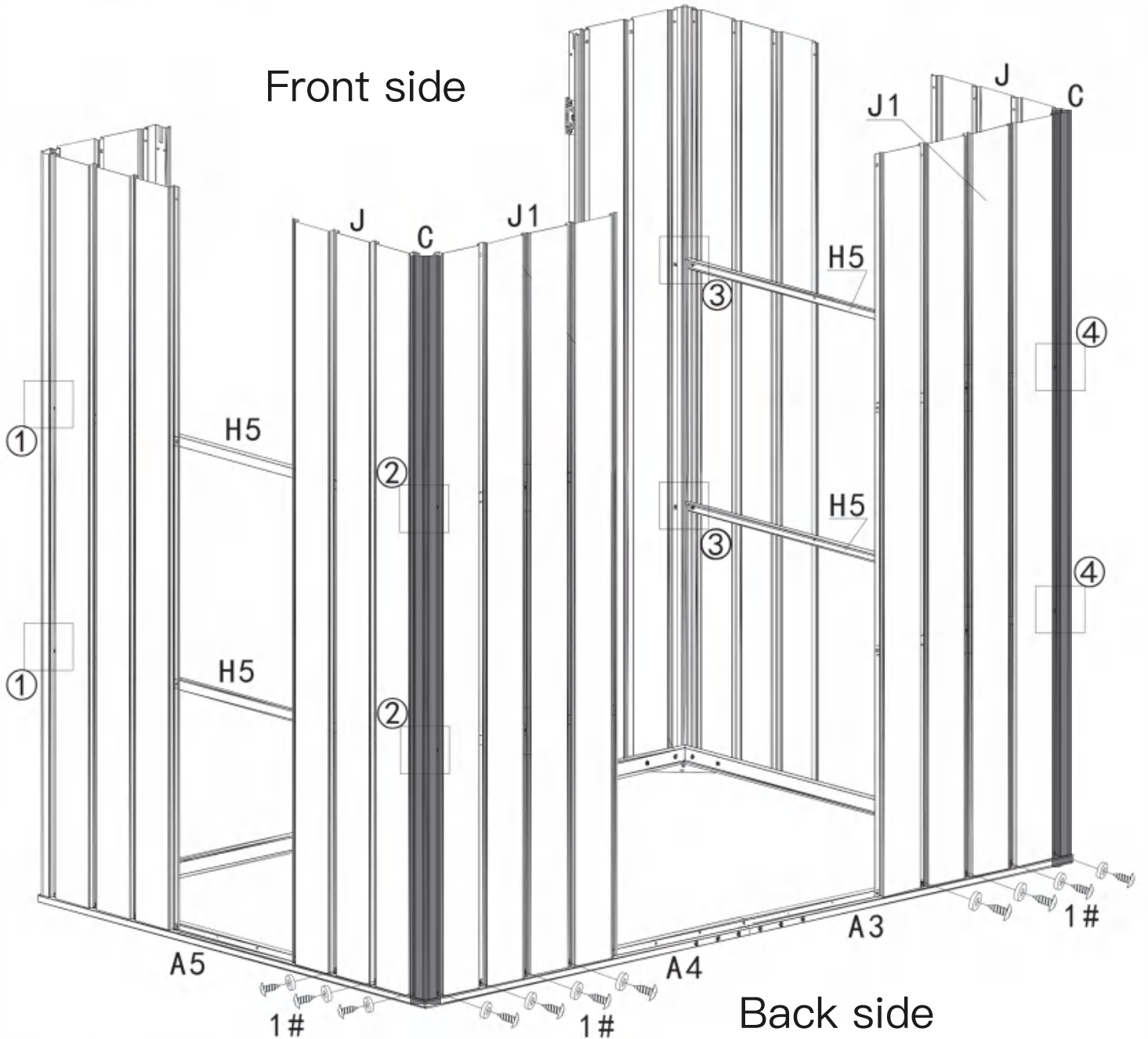
Plastic Gaskets



Step1: Place part #J/C/J1 on the bottom frame (A4/A5), using 7 screws 1# and gaskets to fix.

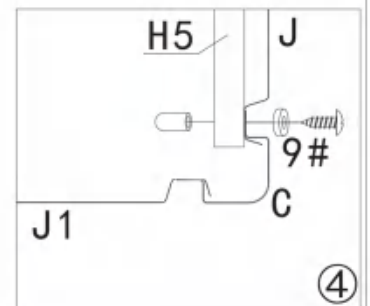


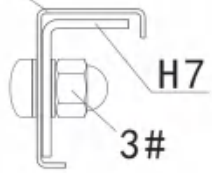
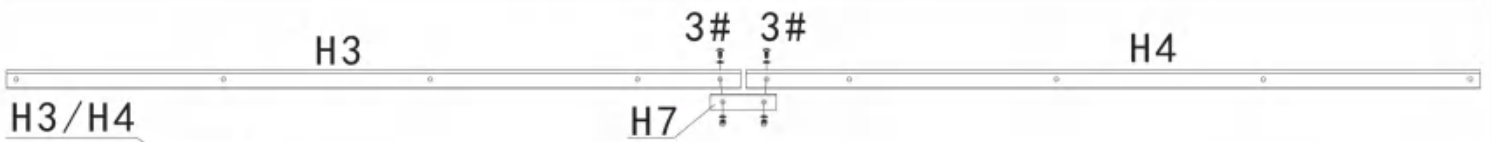
Front side



Step2: Installed 2 part#H5 with 4 screws 9# and gaskets, then put on the plastic caps as shown in ① ②.

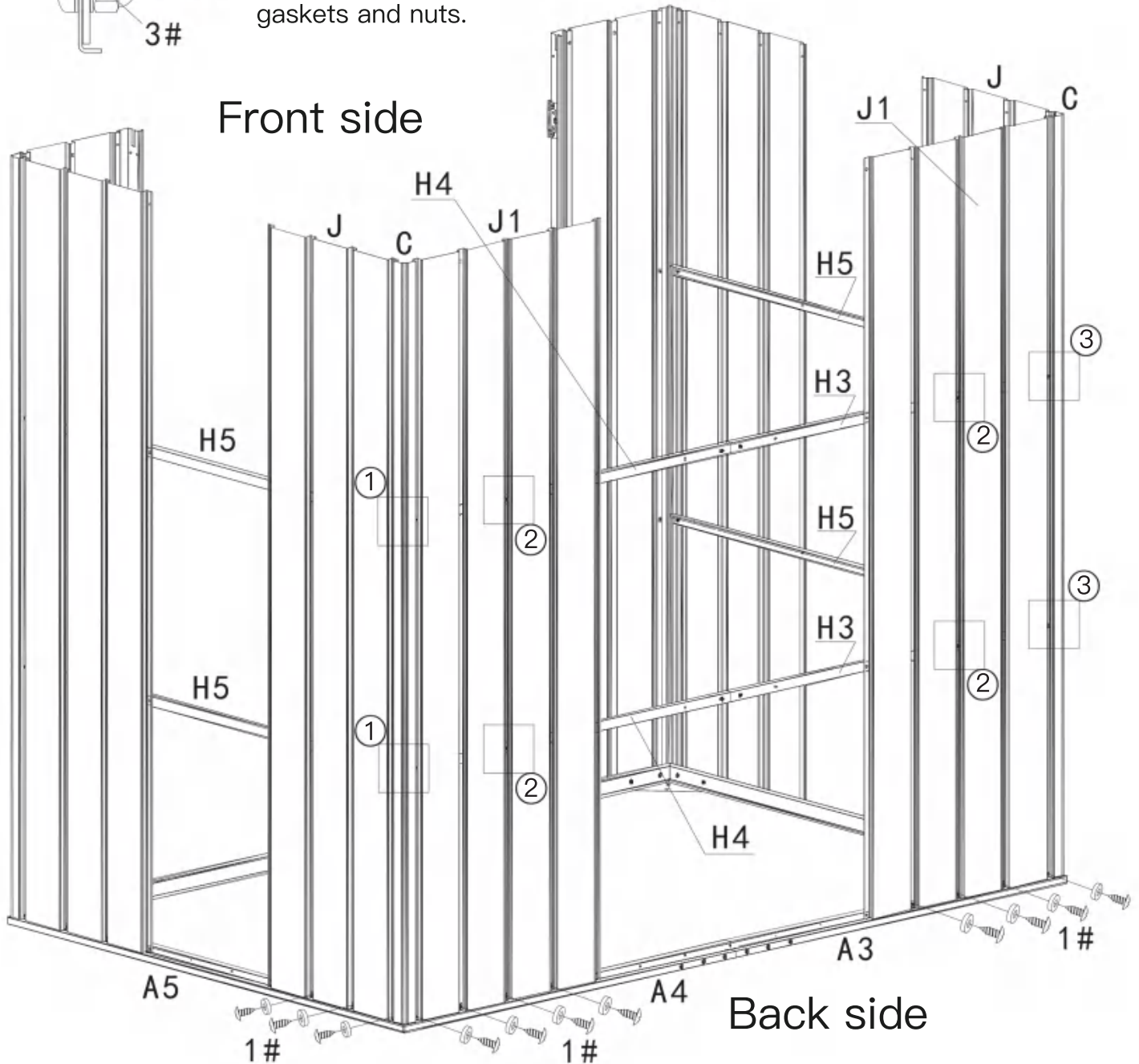
Repeat the above procedures to assemble the another side as shown in ③ ④.





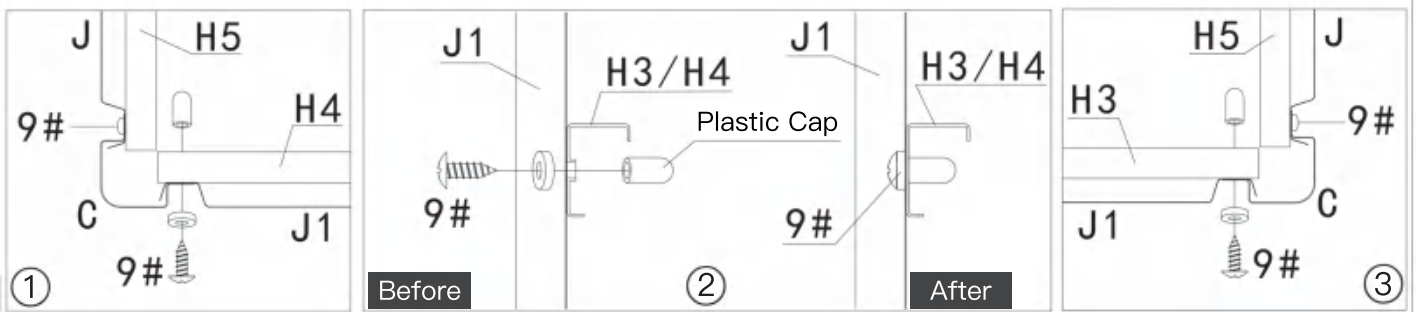
Use part#H7 to connect part#H3 and part#H4, and fix by screws 3#, gaskets and nuts.

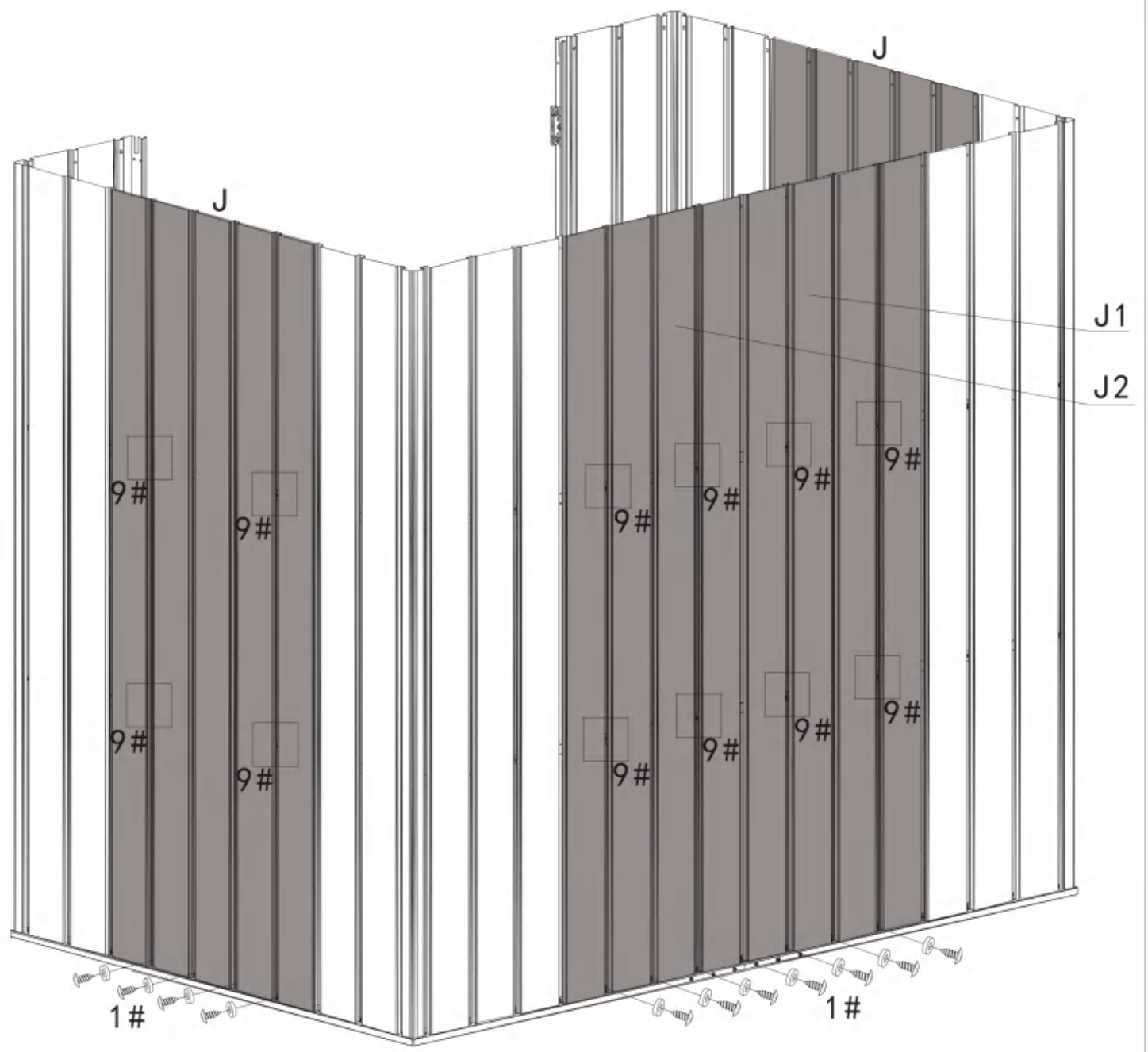
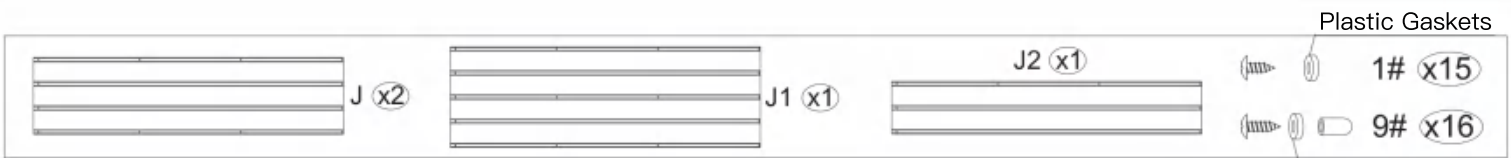
Front side



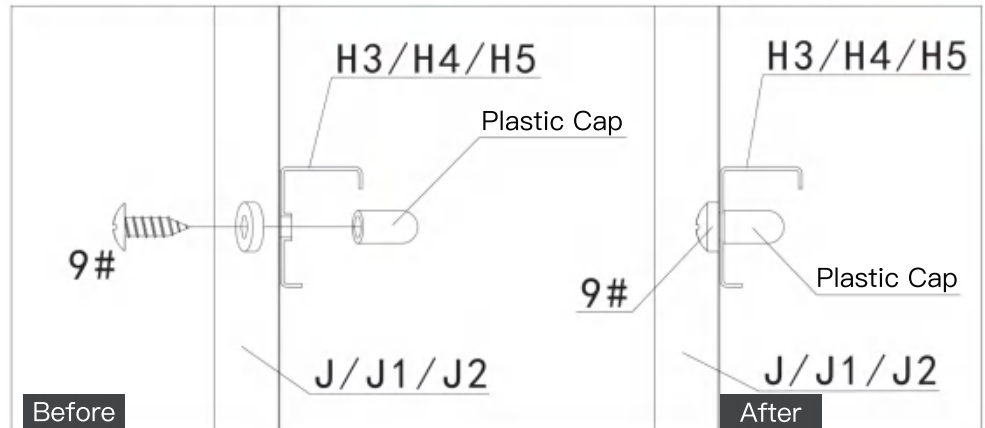
Back side

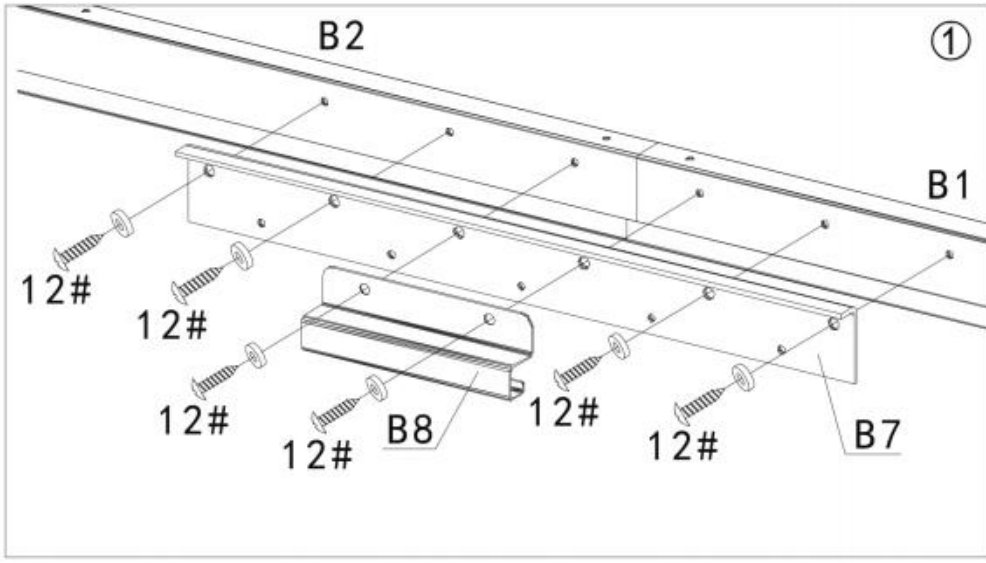
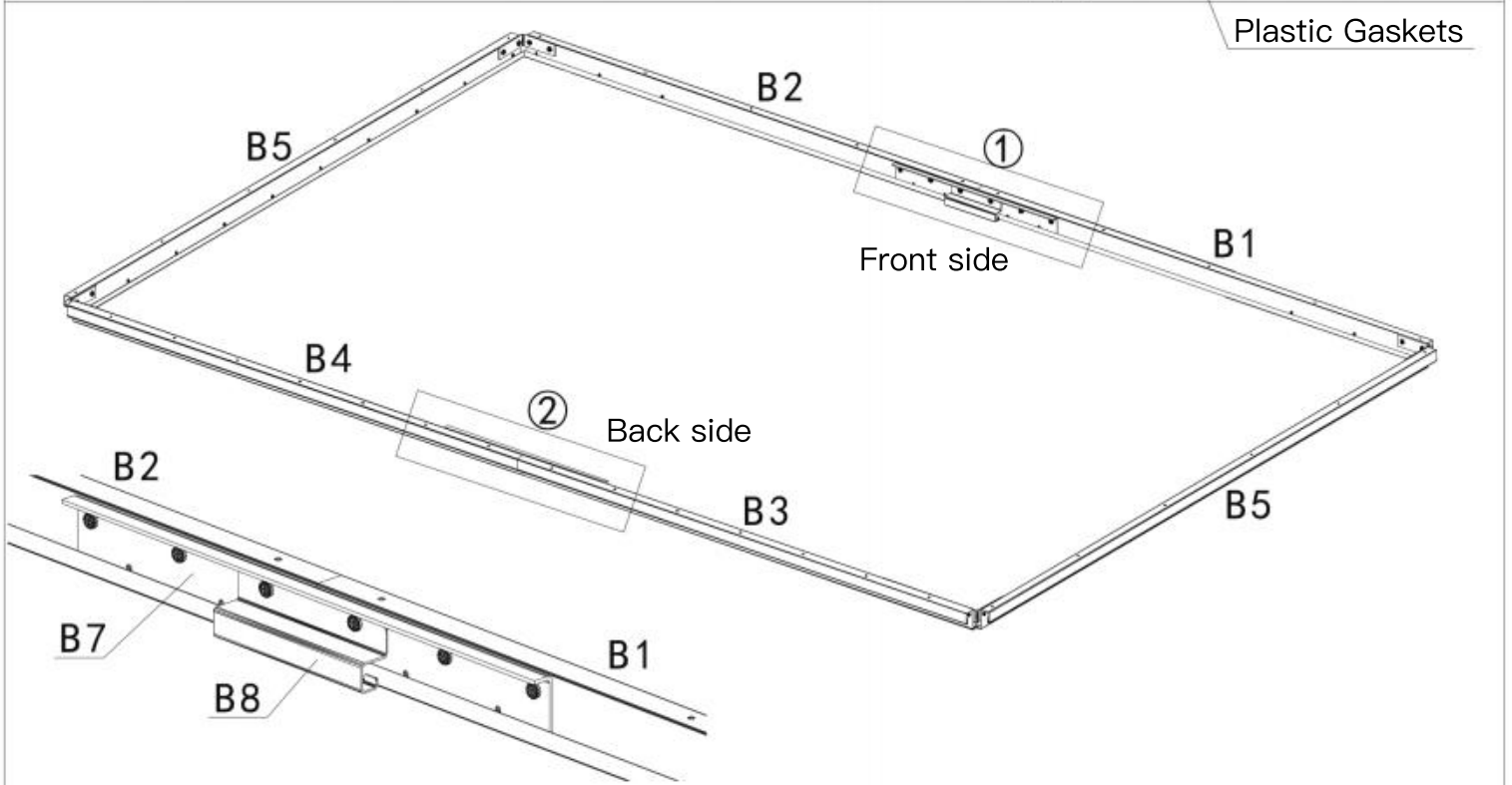
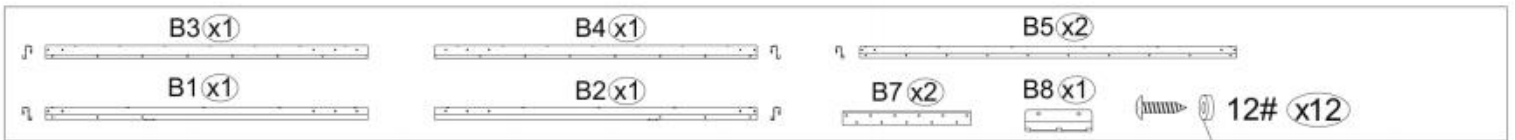
Installed 2 assembled part #H3/H4 with 8 screws 9# and gaskets, then put on the plastic caps as shown in ① ② ③.



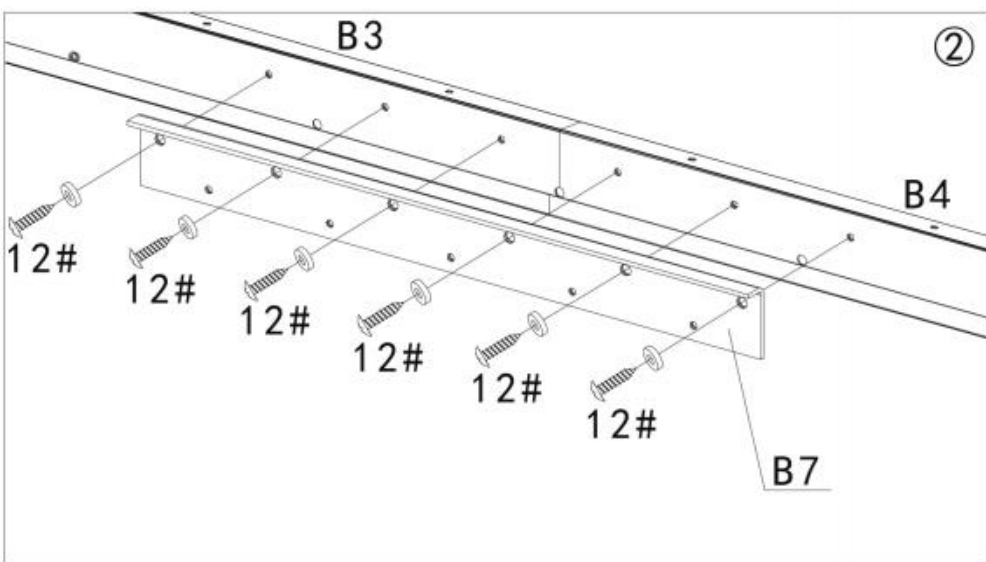


Install part#J1/J2: Use screws 1# and gaskets to fix them on the bottom frame.
 Fix part #H3/H4/H5 to part#J1/J2 with screws 9# and gaskets, then put on the plastic caps.
Repeat the above procedures to assemble 2 part #J on side wall.





Firstly, connect part #B1 and part #B2;
 Secondly, insert part #B7&B8 on the inside of part #B1/B2 with screws 12# and gaskets as shown in ①.



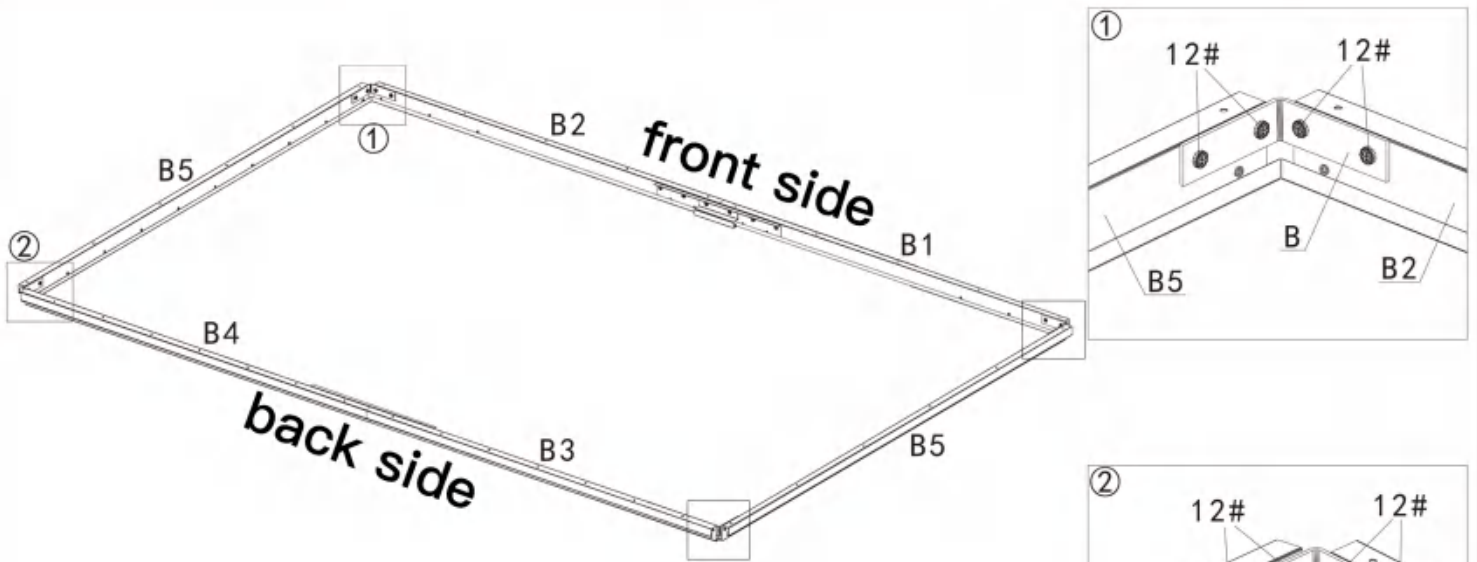
Insert part #B7 on the inside of part #B3/B4 with screws 12# and gaskets as shown in ②.

12# x16
Plastic Gaskets

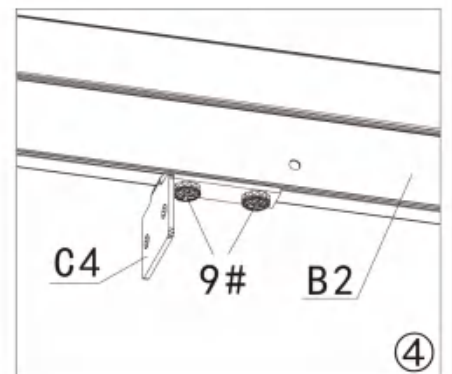
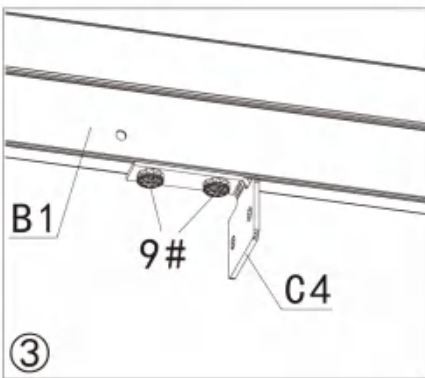
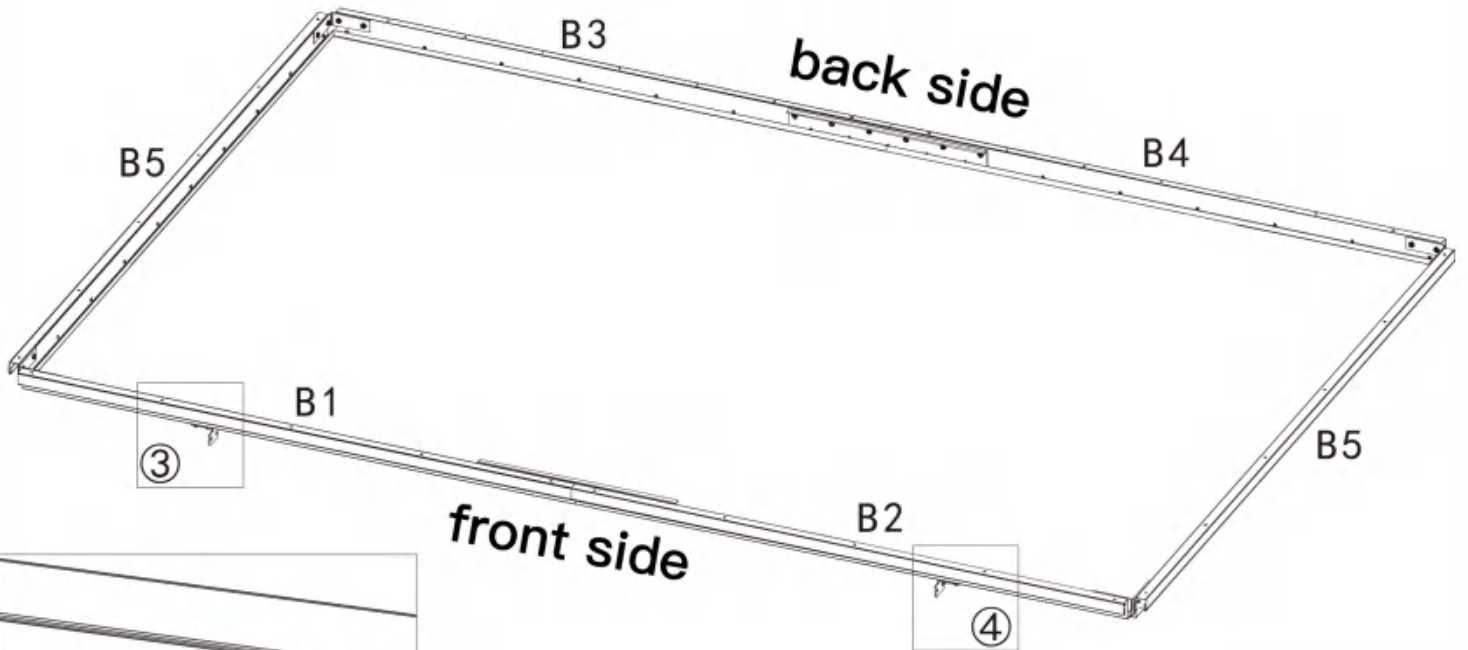
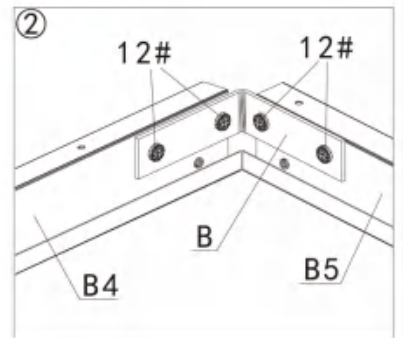
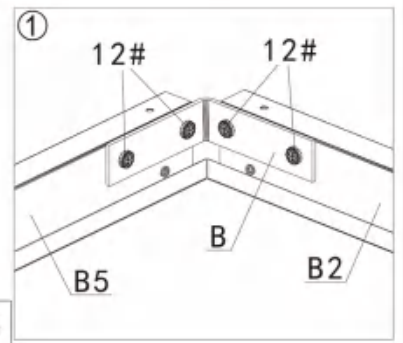
C4 x2

9# x4
Plastic Gaskets

B x4

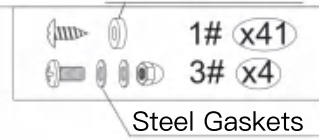
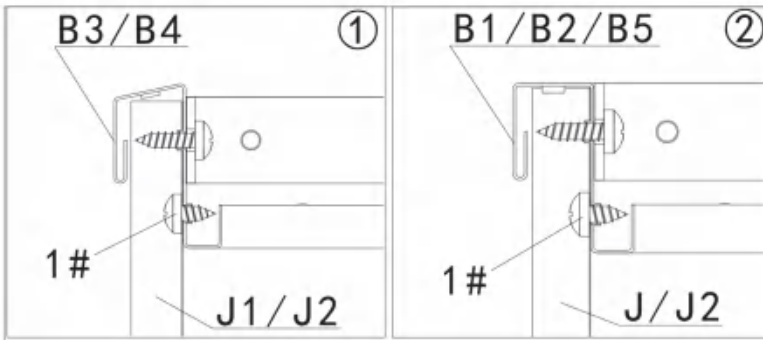


Enclose with part #B1/B2, part #B3/B4, 2 part #B5 according to the figure above, and the part #B connects the four corners, then fixed with screws 12# and gaskets as shown in ① ②.

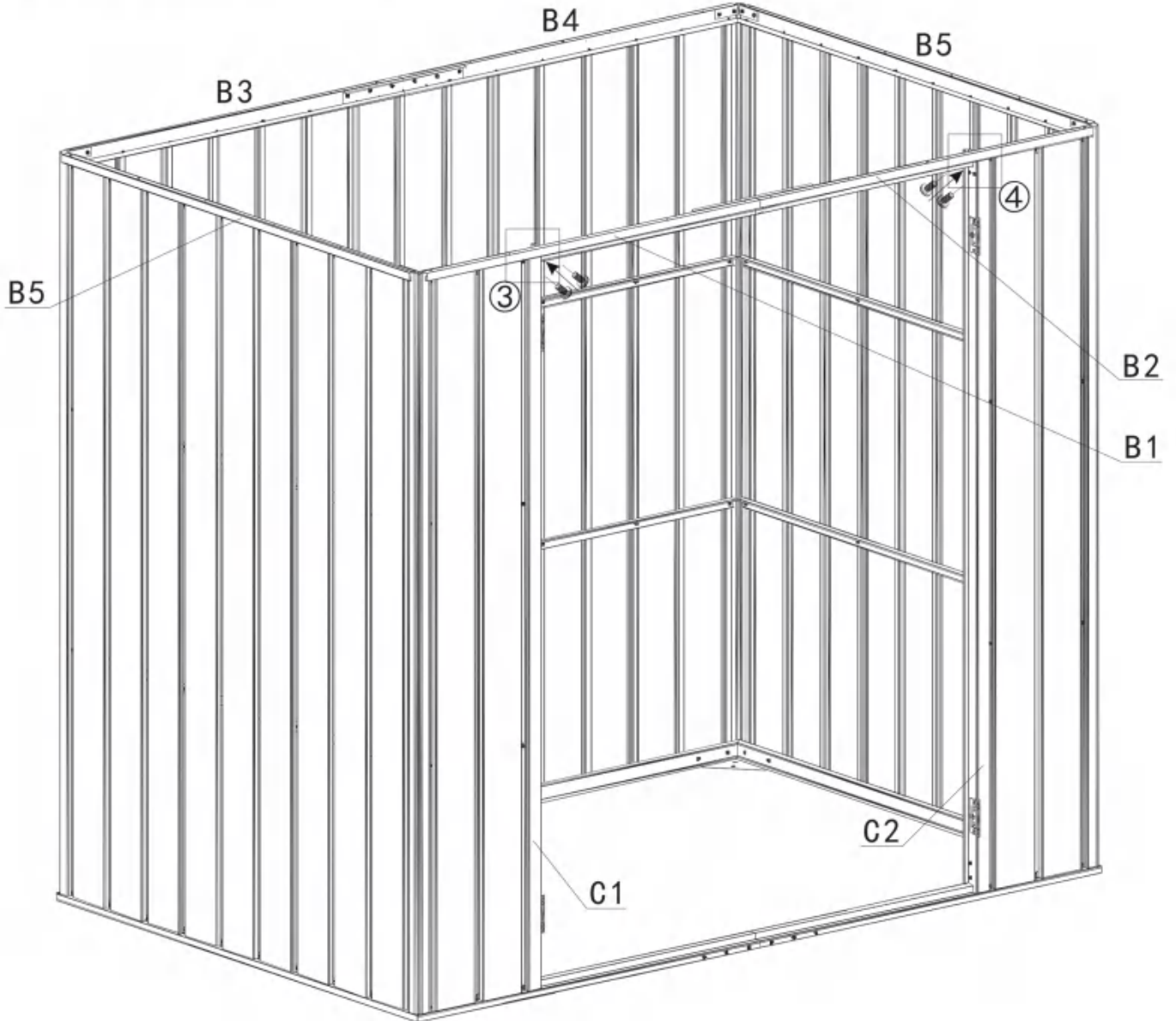


Fix 2 part #C4 on part #B1, part #B2 by screws 9# and gaskets as shown in ③ ④.

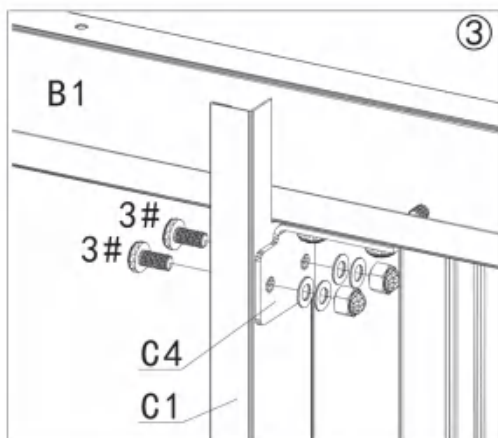
! You can also install the top frame on each wall separately.



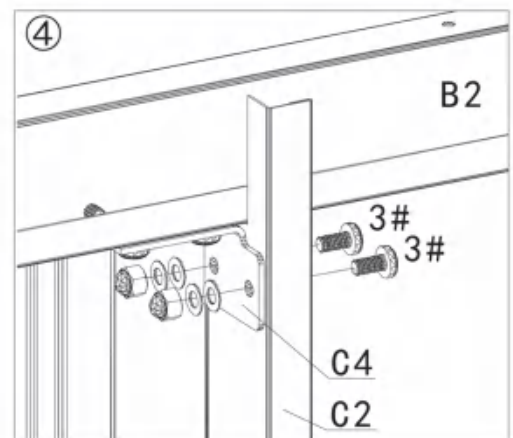
Place the assembled beam (B1/B2, B3/B4, B5) on the upper end of the wall panel, and fix with the screws 1# and gaskets as shown in ①②.



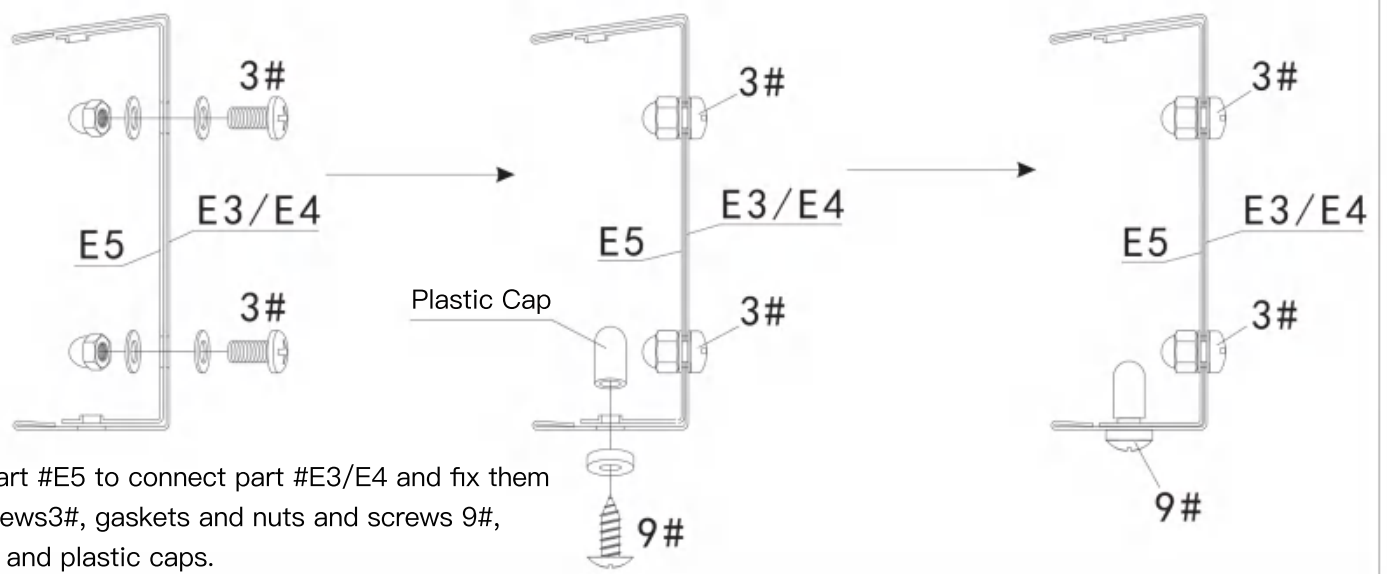
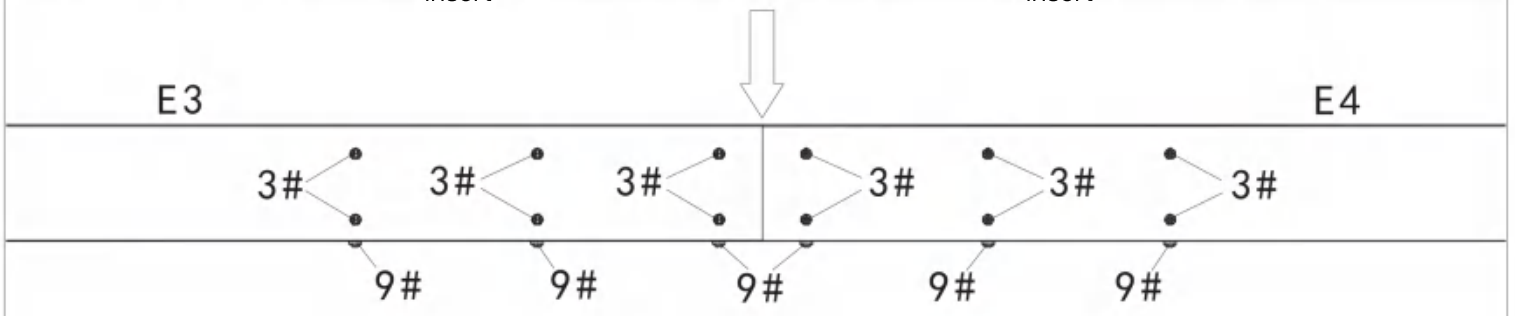
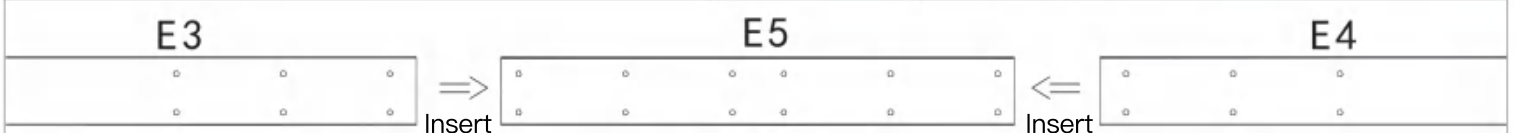
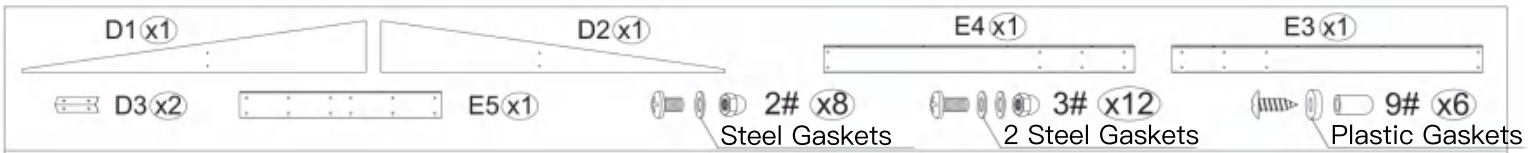
Fix the upper end of the part#C1/C2 with part#B1/B2 and part#C4 by using screws 3#, the nuts and gaskets are on the back side as shown in ③④.



Inside View

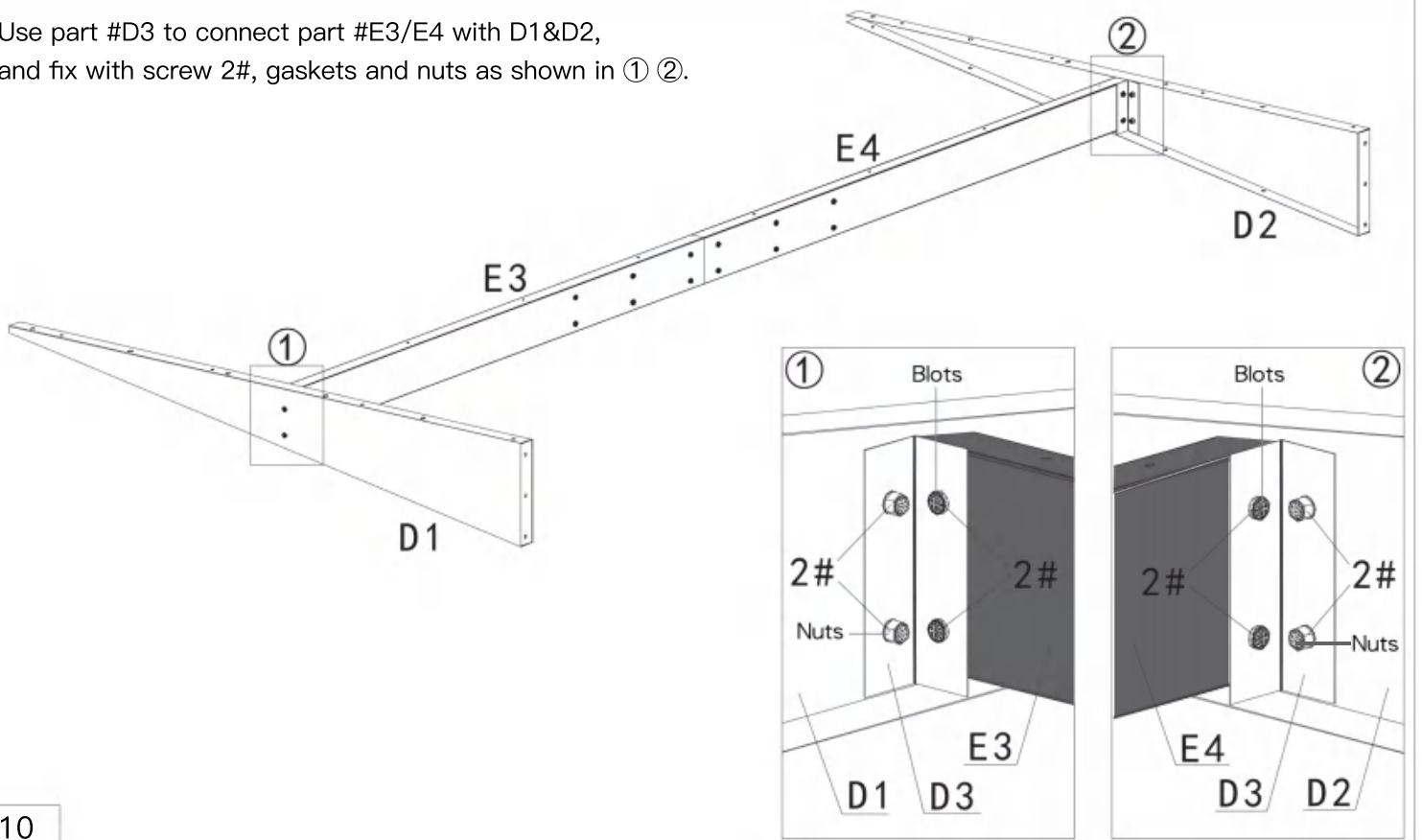


Inside View

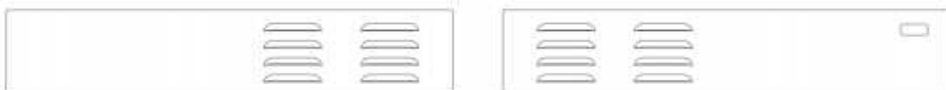


Insert part #E5 to connect part #E3/E4 and fix them with screws 3#, gaskets and nuts and screws 9#, gaskets and plastic caps.

Use part #D3 to connect part #E3/E4 with D1&D2, and fix with screw 2#, gaskets and nuts as shown in ① ②.

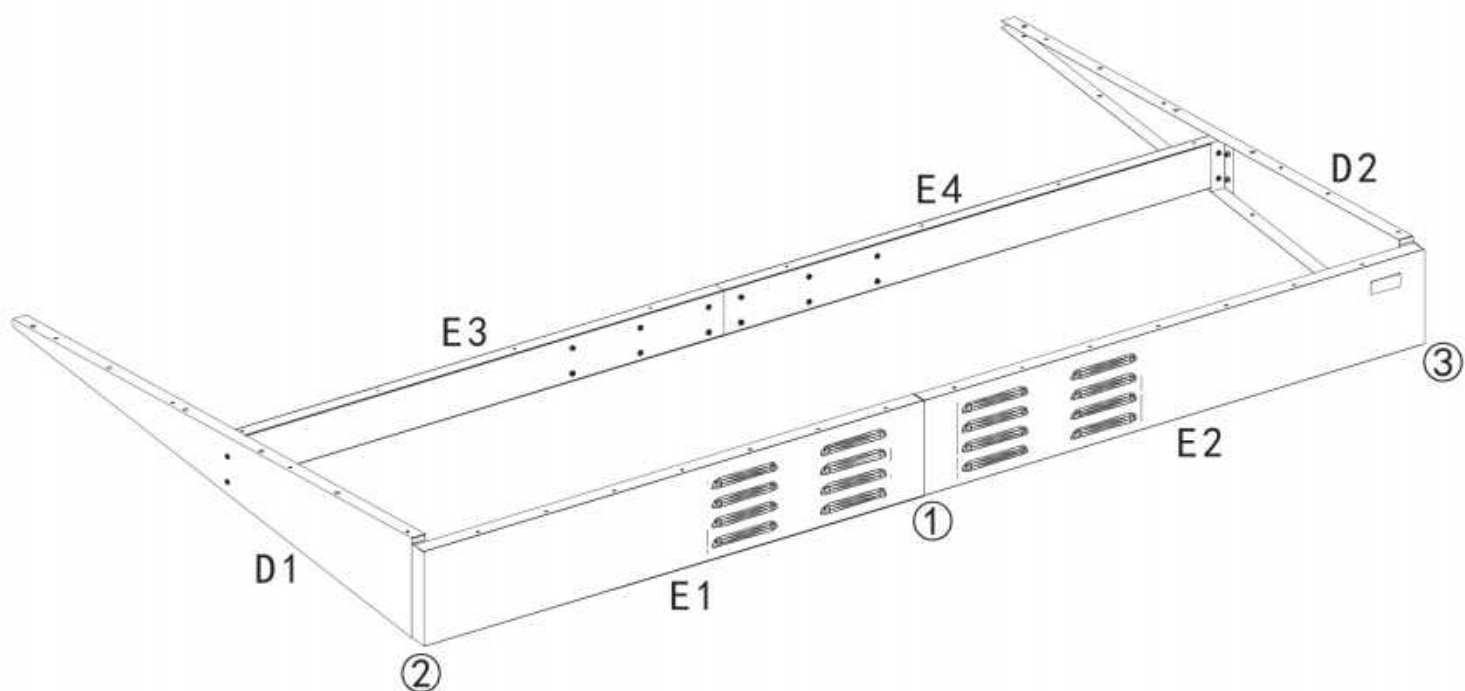


E1 (x1)



E2 (x1)

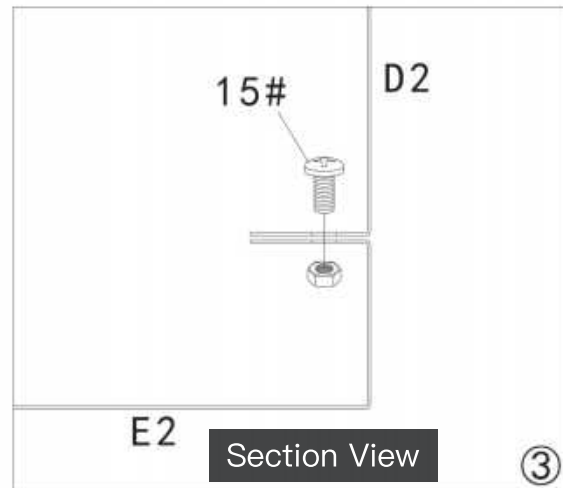
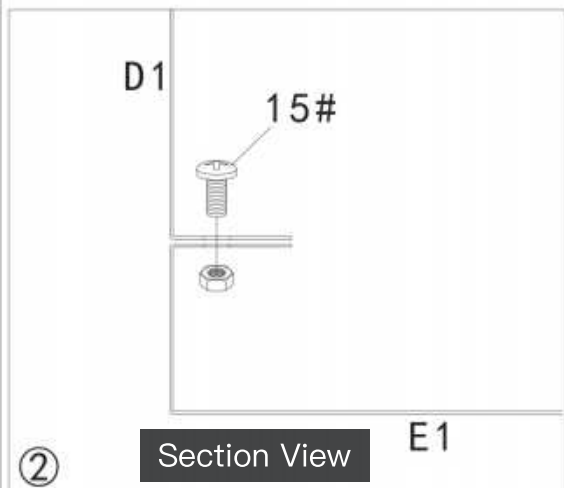
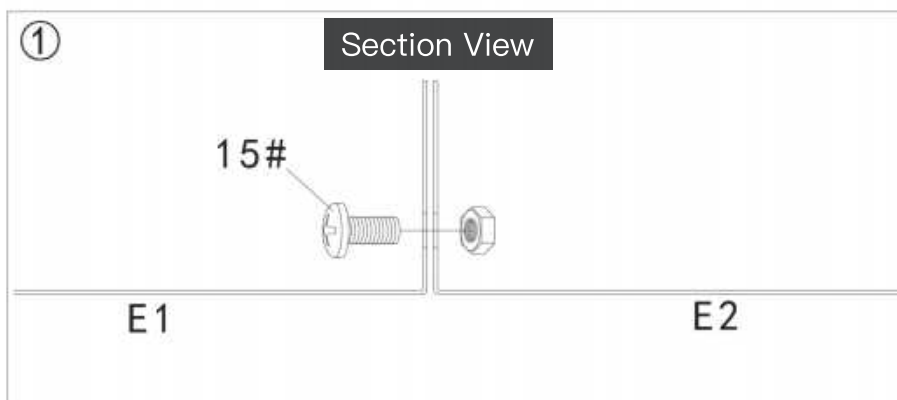
15# (x9)



Install Top Frame:

Connect part #E1/E2 first, as shown in ①;

Then combine with part #D1 and part #D2 respectively, as shown in ②③.

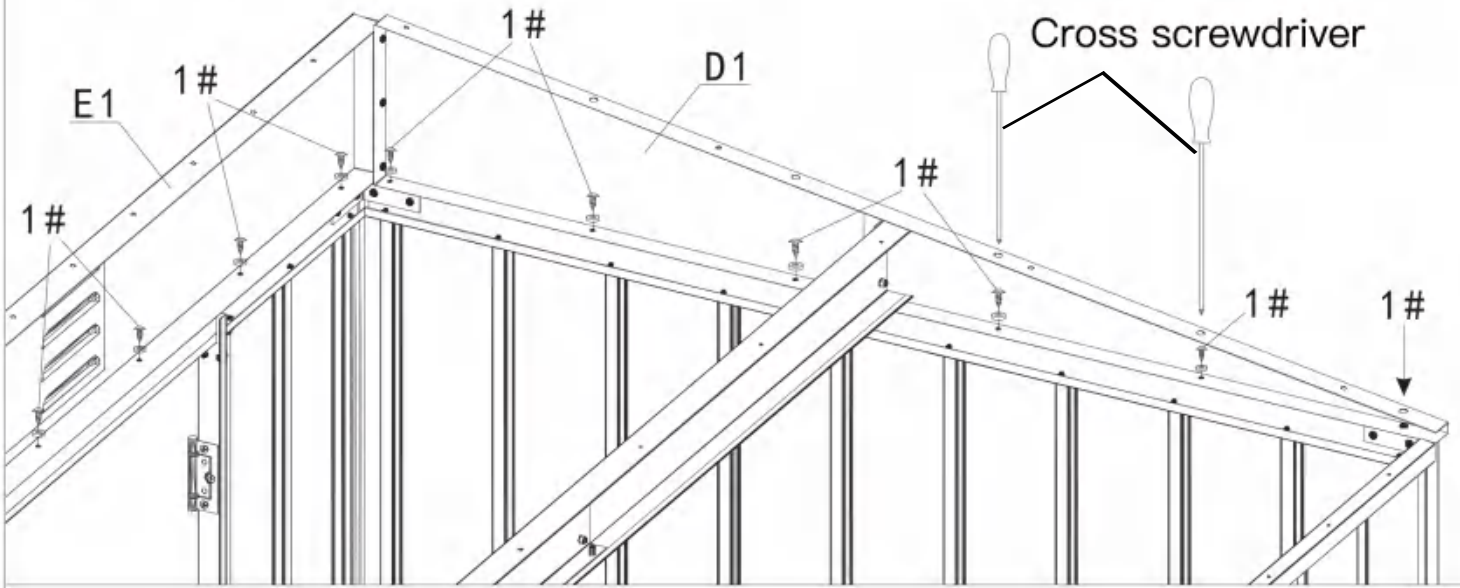


Put the top frame on beam (B1/B2),
using 22 screws 1# and gaskets.

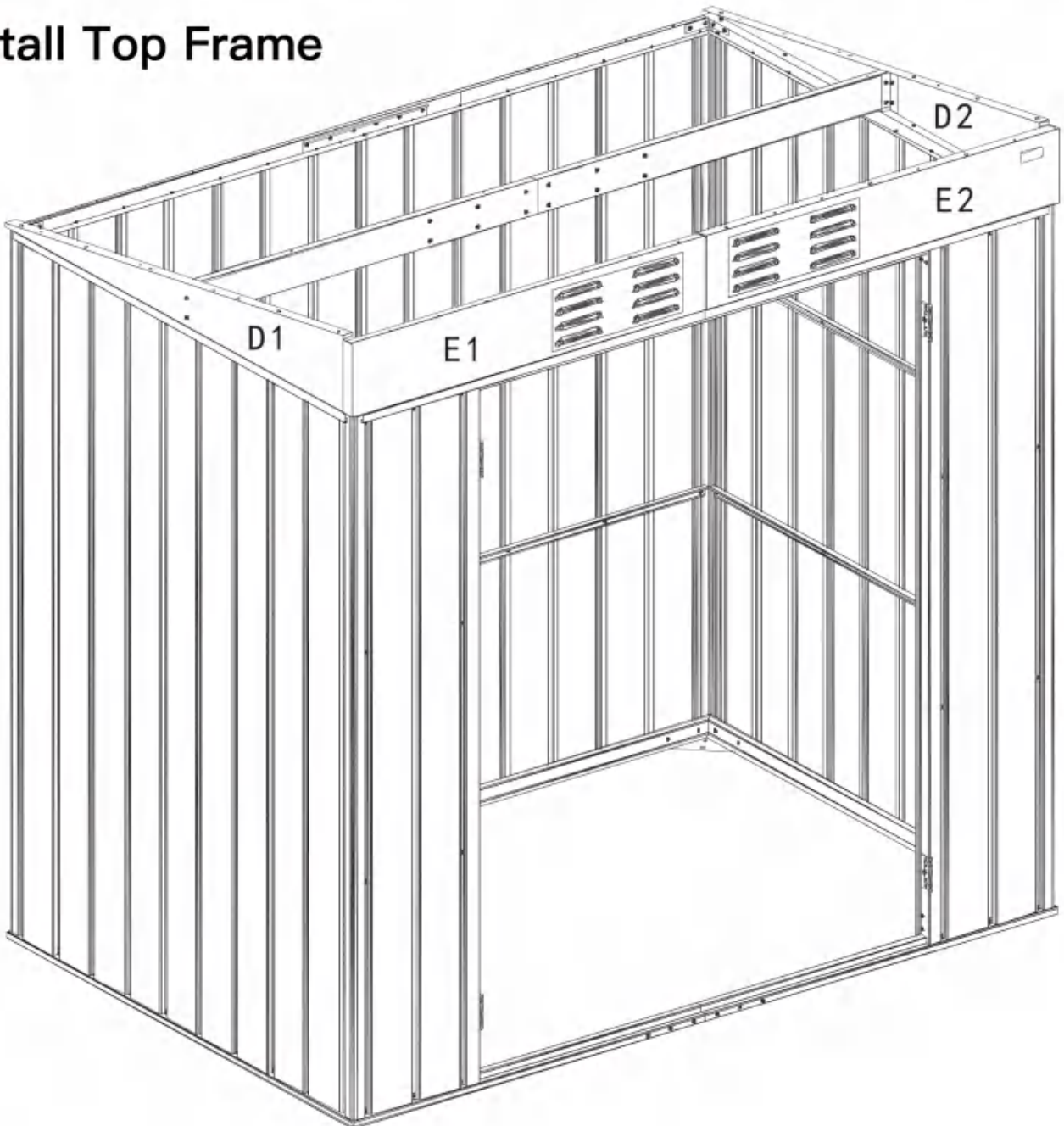
1# x22

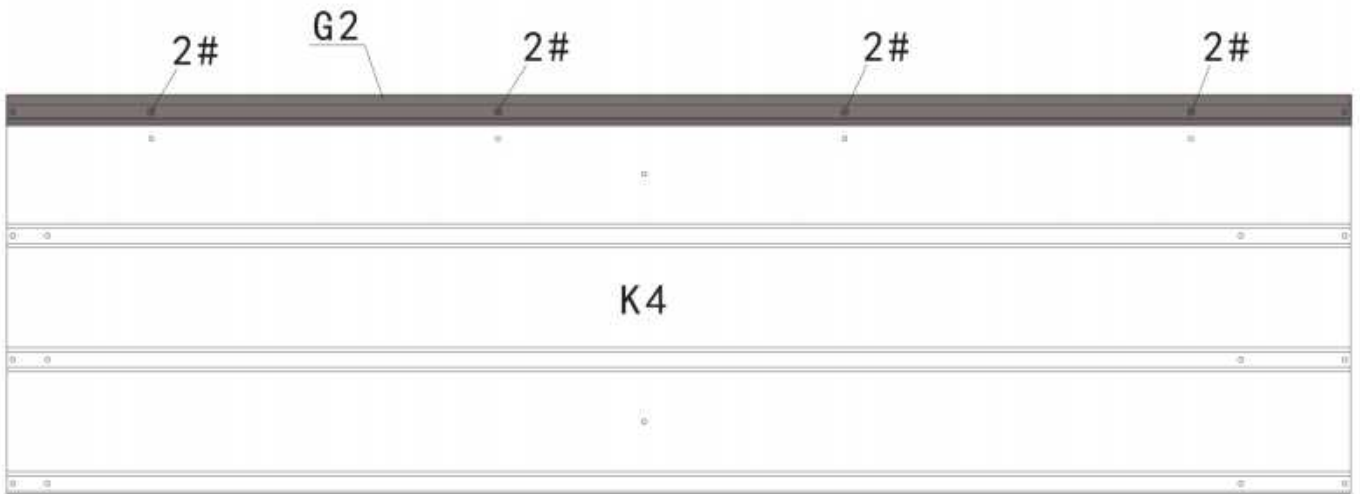
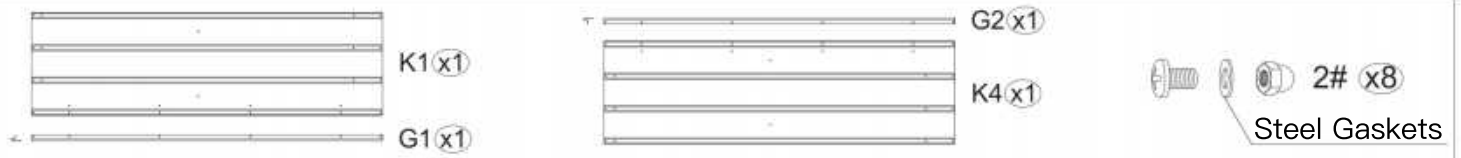
Plastic Gaskets

Cross screwdriver



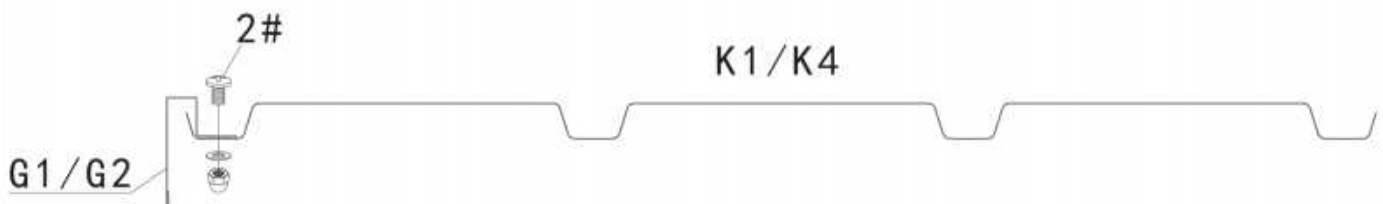
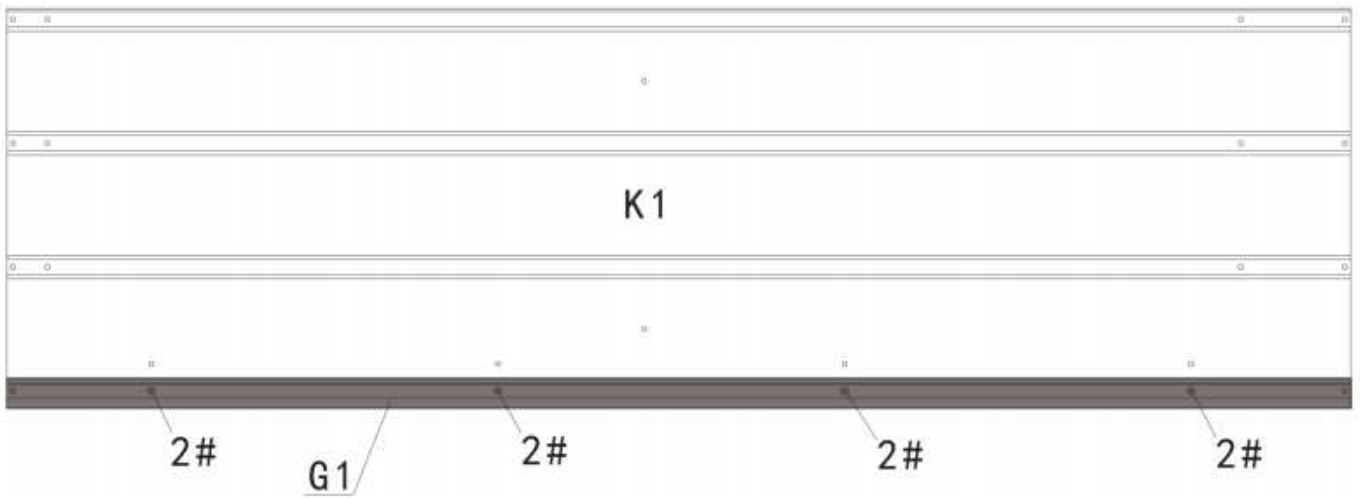
Install Top Frame



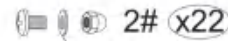
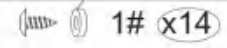
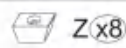


Assemble the TOP ROOF

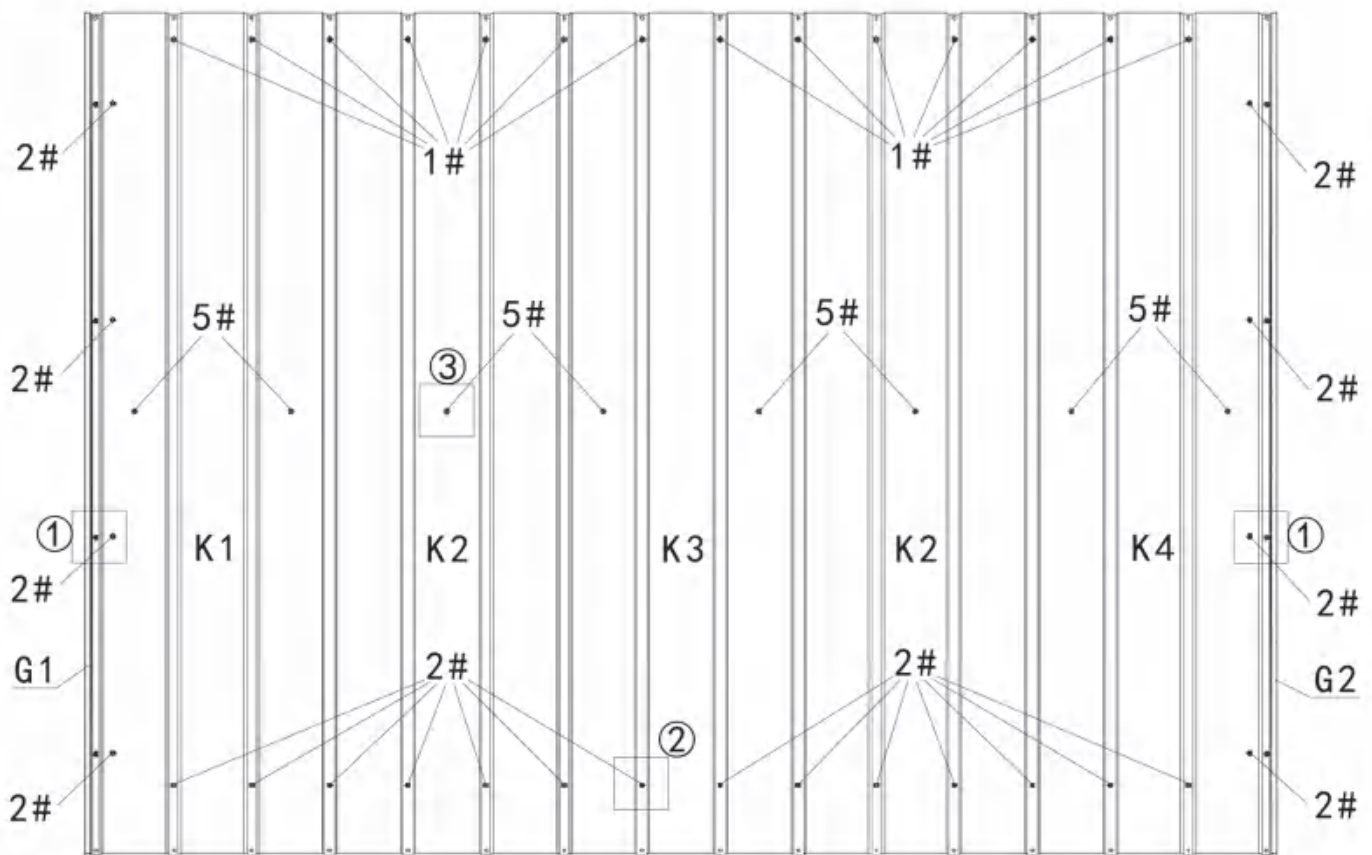
Assemble the part#G1/G2 to the one side of part#K1/K4 with screws 2#, gaskets and nuts.



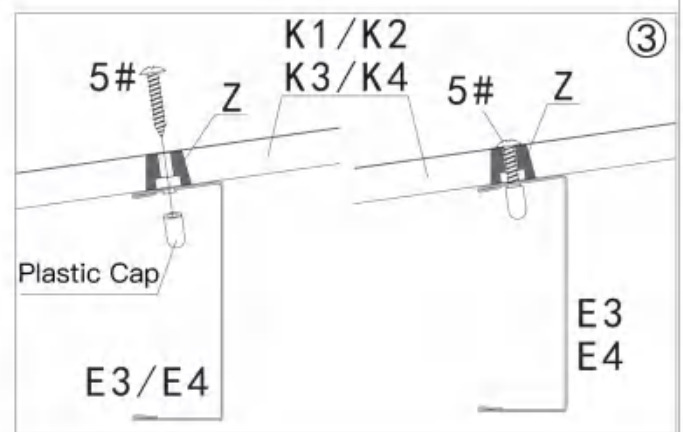
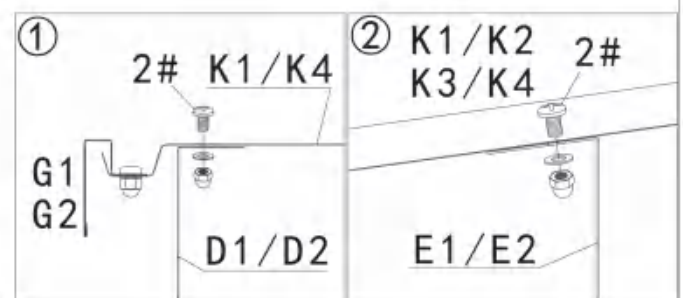
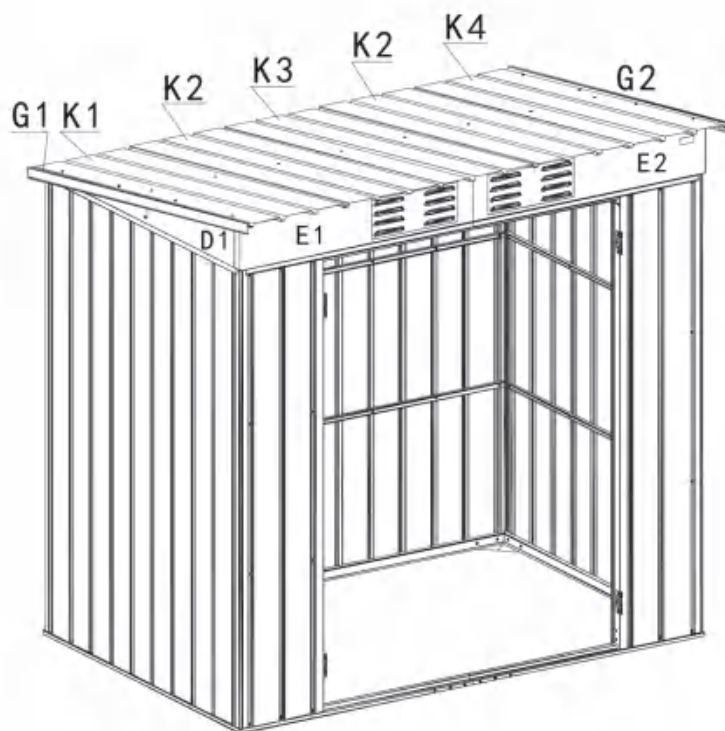
Section View



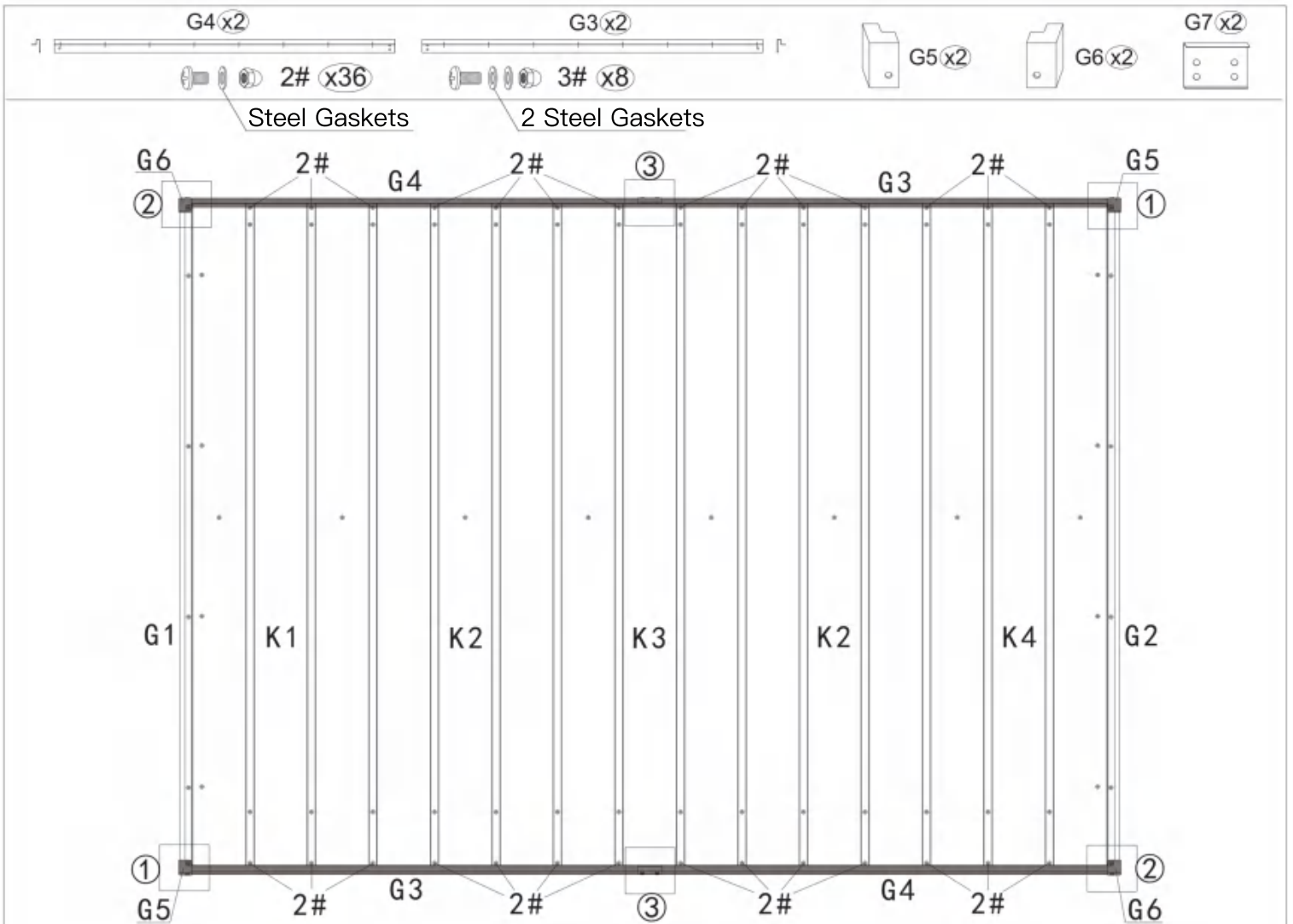
Steel Gaskets



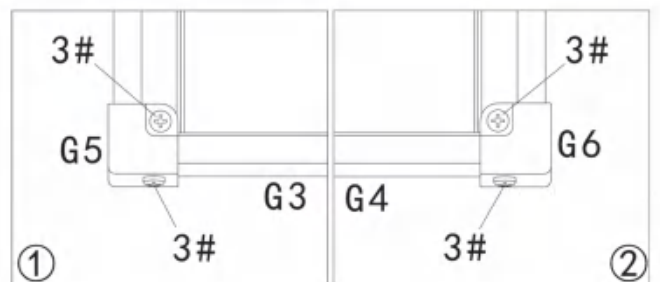
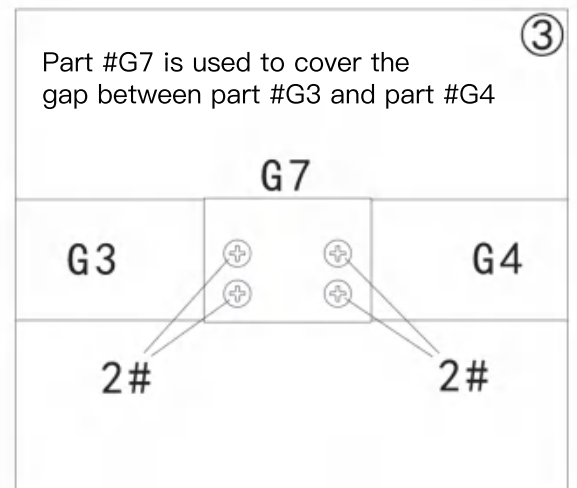
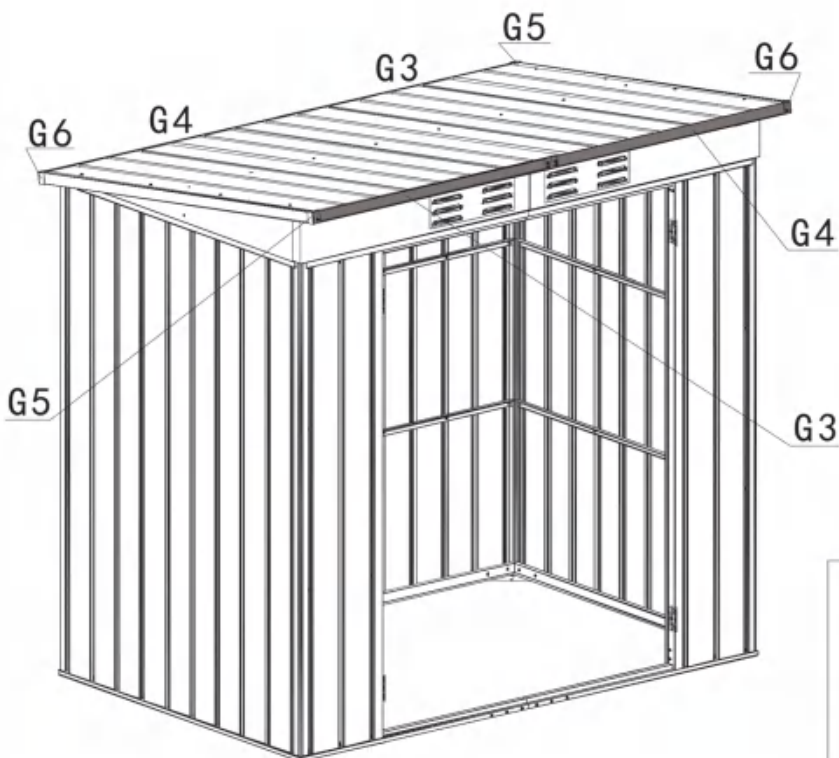
The roof panel part#K1/K2/K3/K4 is laid in order; the roof panel K1/K4 is fixed with G1/G2 & D1/D2 by using screws 2#, gaskets and nuts as shown in ①; the roof panel K1/K2 & K3/K4 are fixed with E1/E2 by using screws 2#, gaskets and nuts as shown in ②. Then fix with screw 1# and gaskets to part #B3/B4.



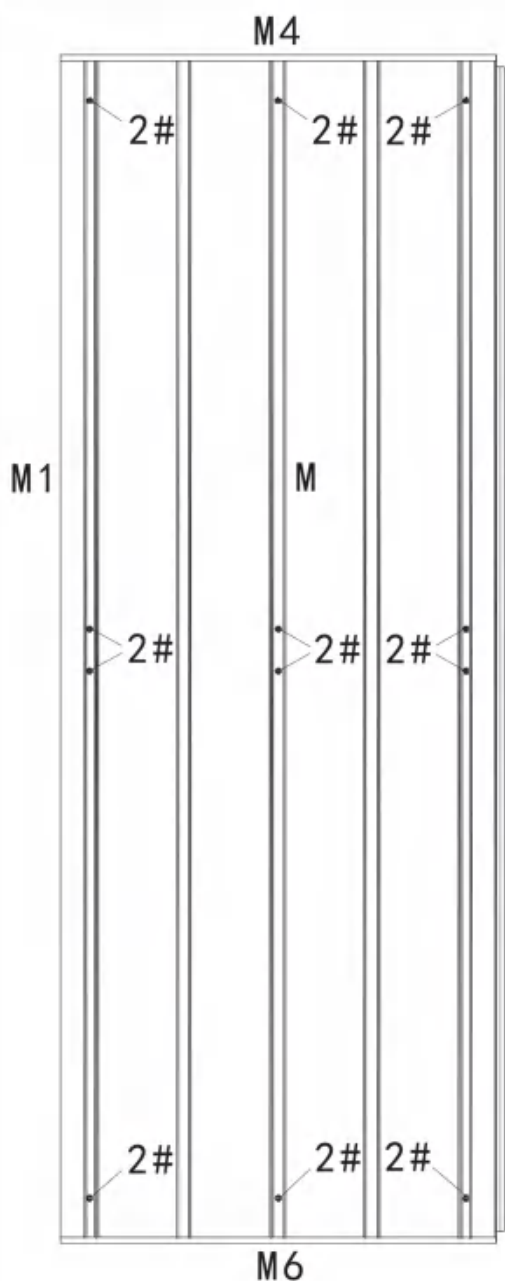
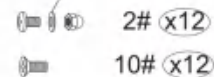
Part #Z shall be inserted at the fixed position of K1/K2 & K3/K4 and E3/E4 to prevent rainwater intrusion as shown in ③.



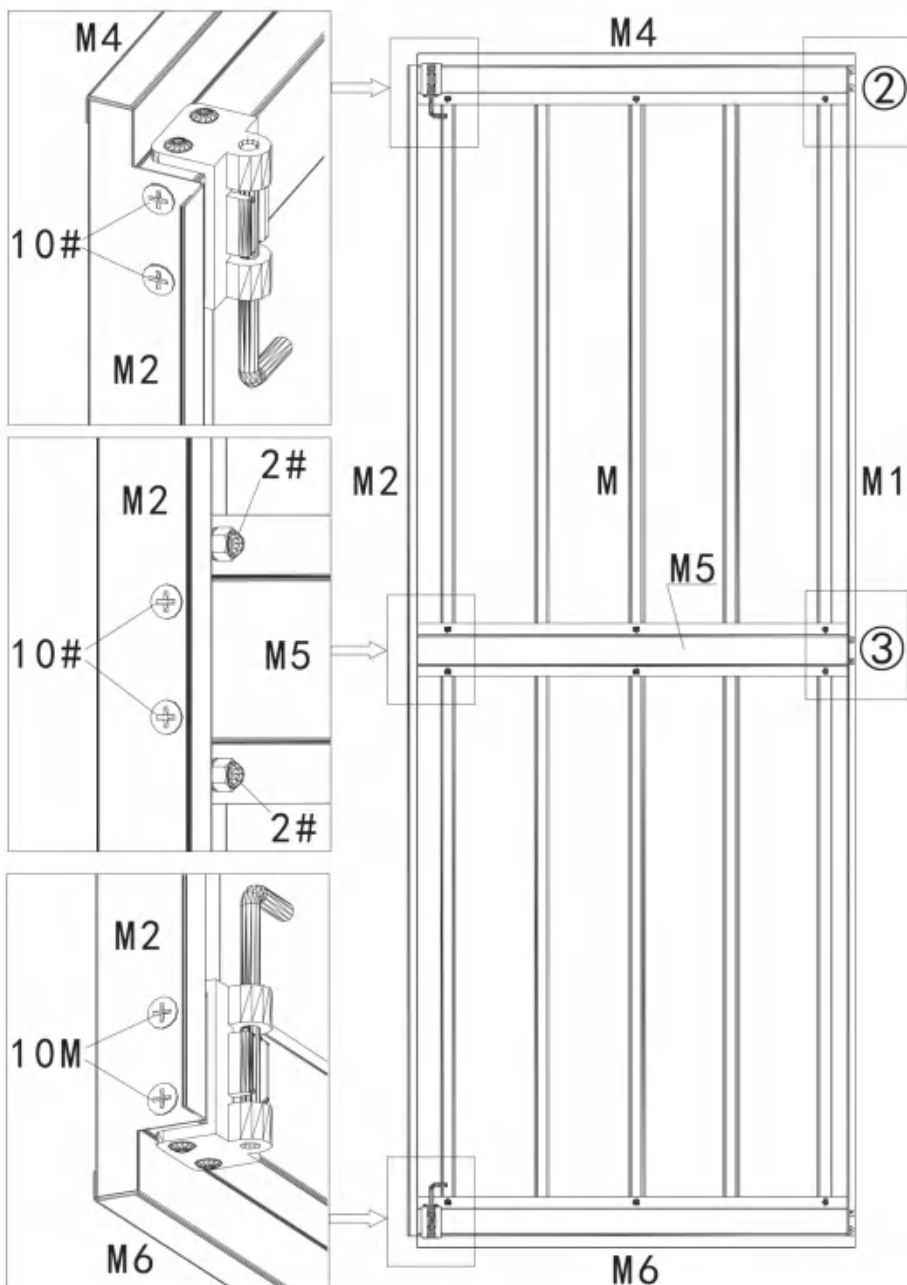
1. Install part #G3/G4 on both ends of the roof first; Install part #G7 at the joint of part #G3/G4, and fix it with 2# screws, as shown in ③.



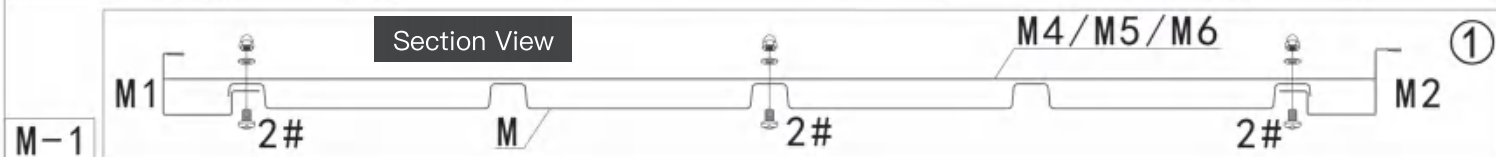
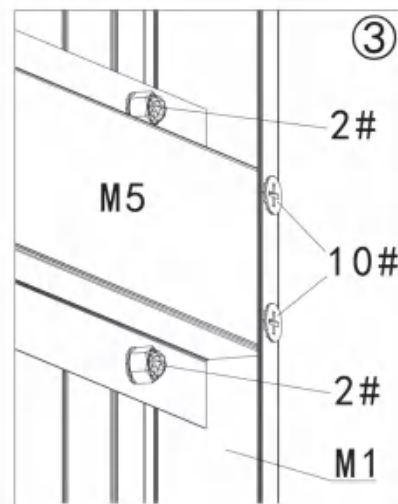
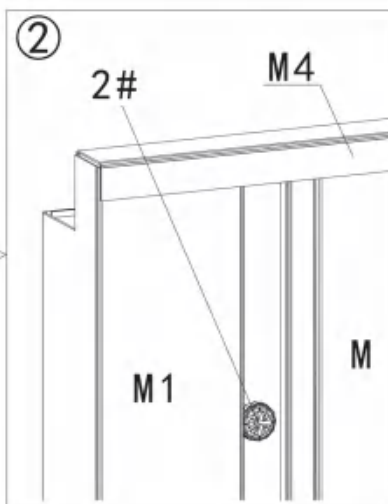
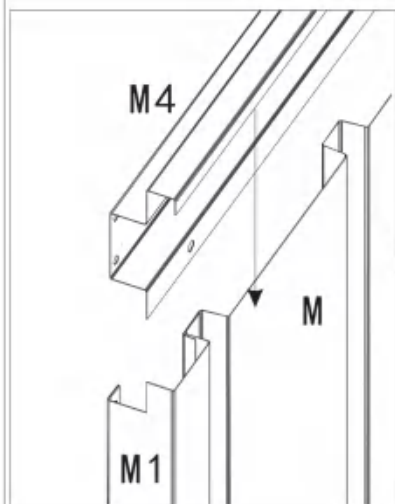
2. Part #G5/G6 is inlaid at the four corners and fixed with screws 3#, gaskets and nuts as shown in ①②.



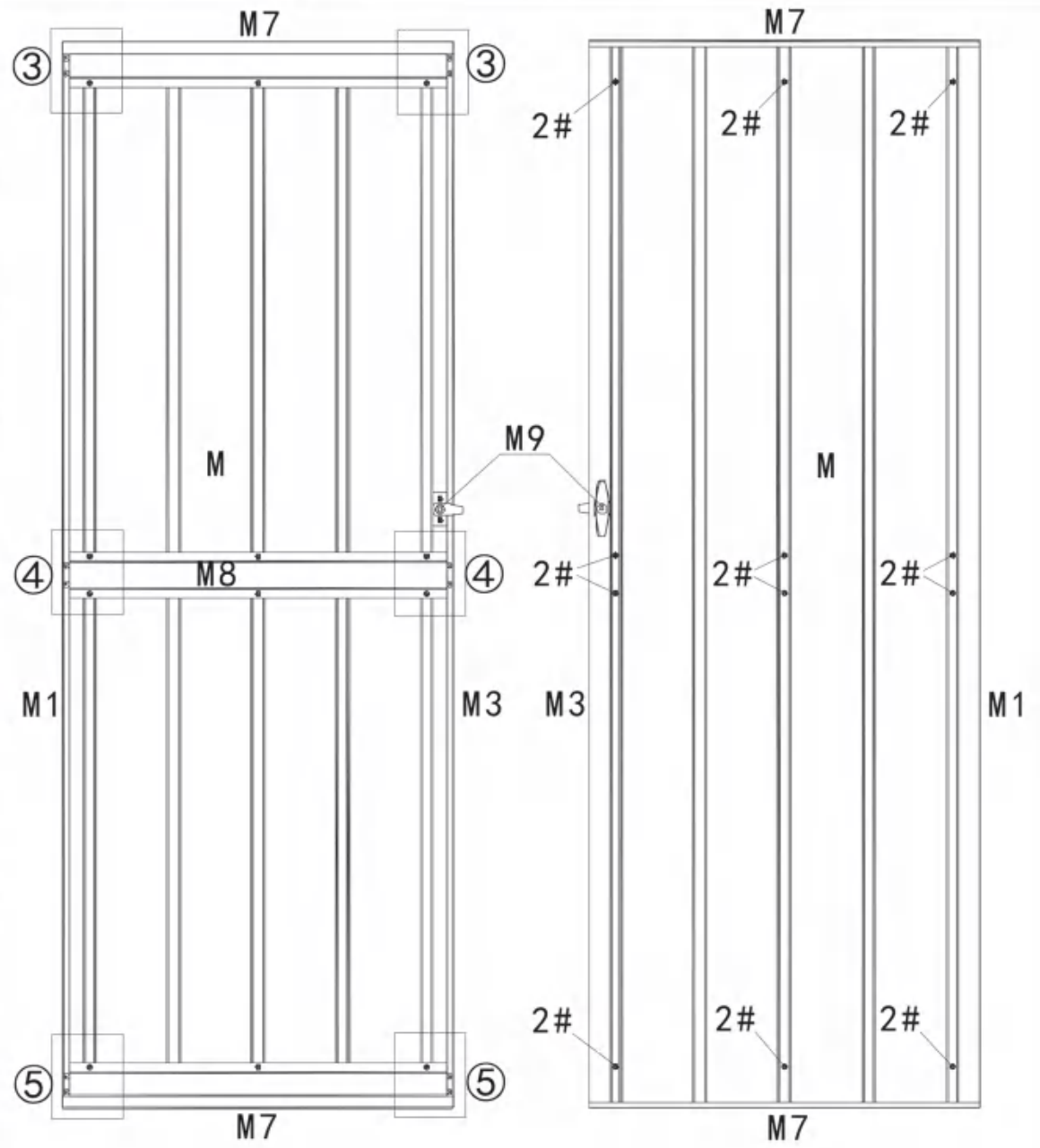
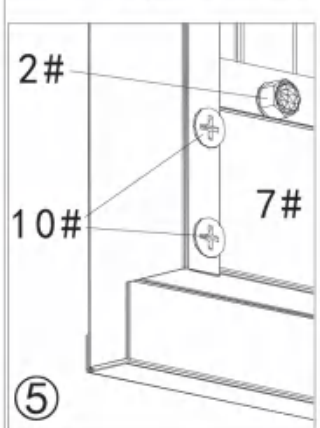
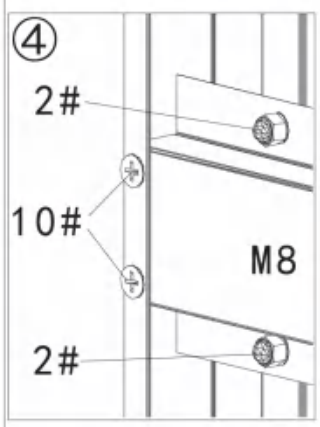
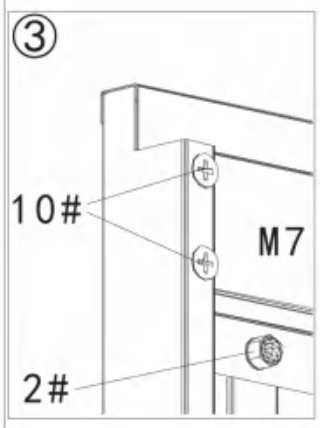
The front side of the left door



The back side of the left door

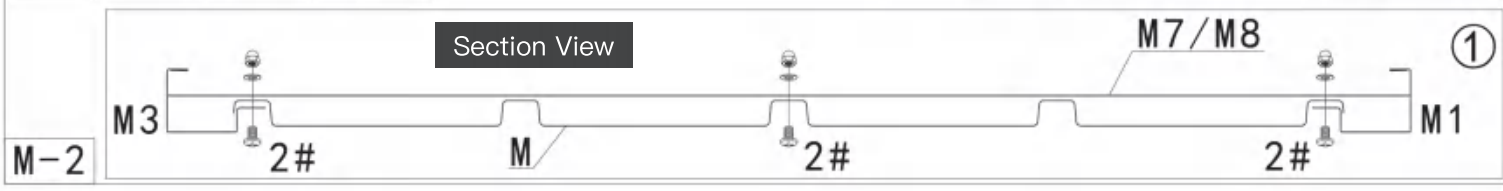
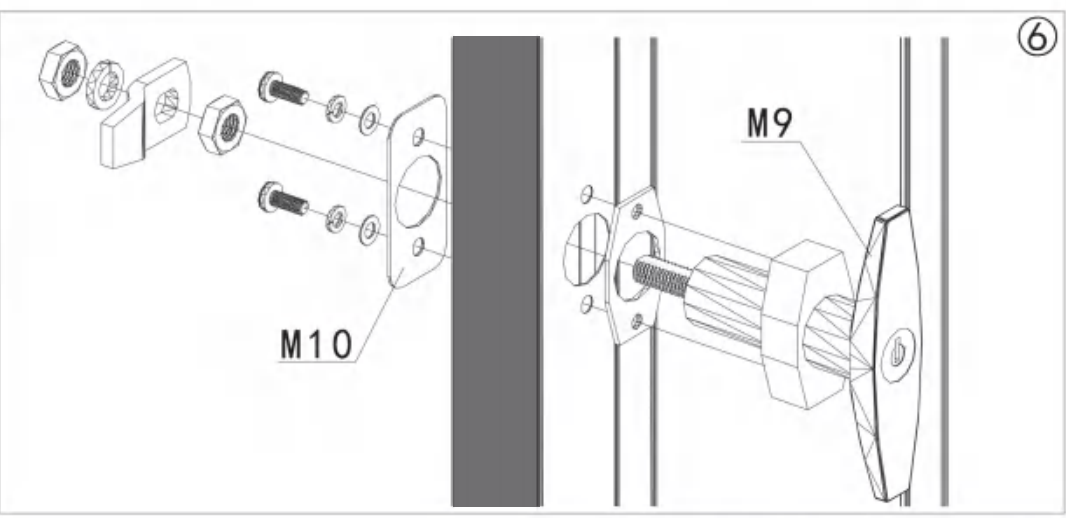
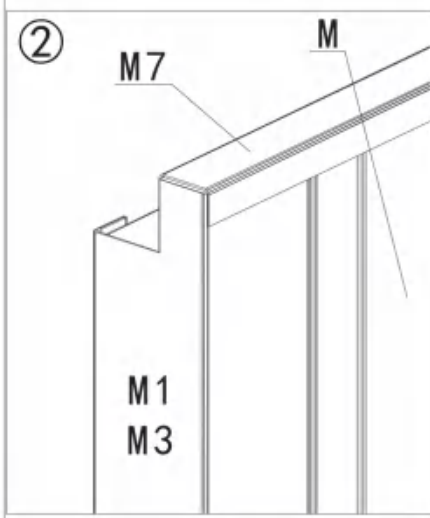


M-1



The back side of the right door

The front side of the right door

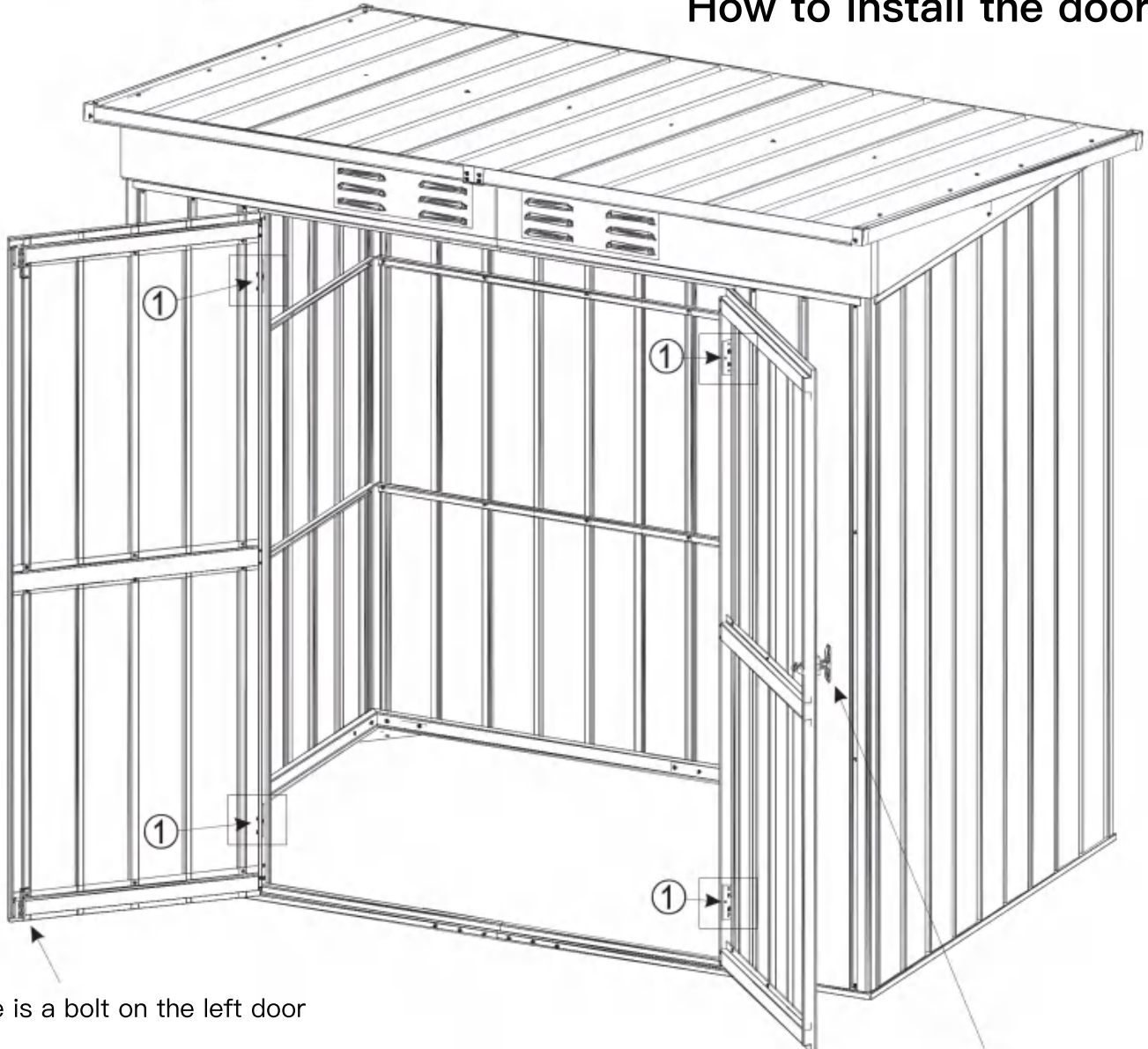


①

Y(x4) 8#(x8)

Steel Gaskets

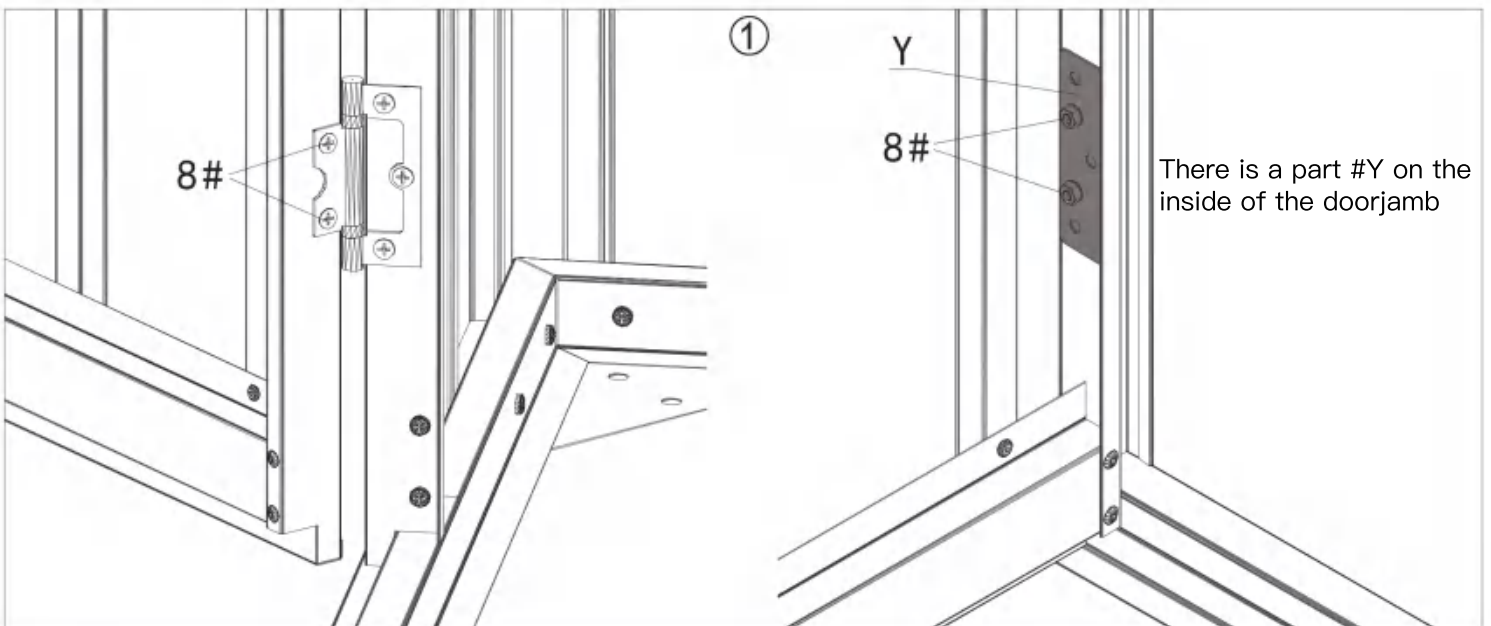
How to install the door



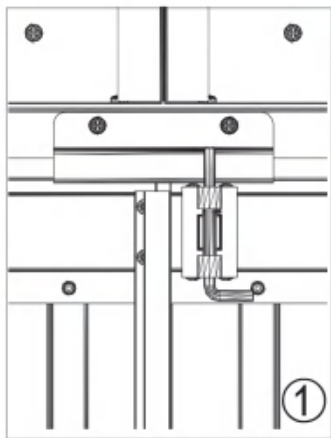
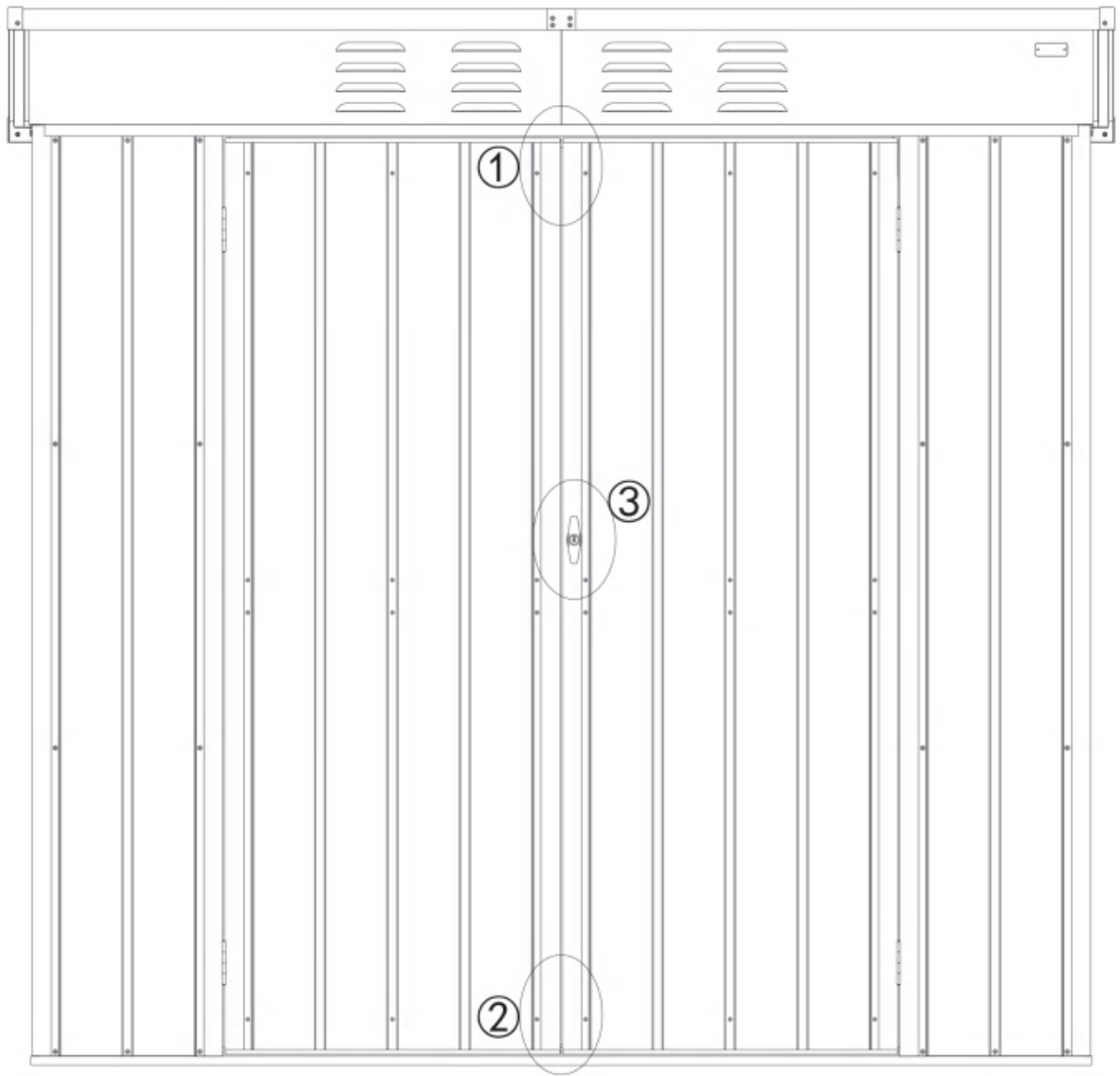
There is a bolt on the left door

There is a handle on the right door

Fix the hinge (part#Y) to the left/right door by screws 8#, gasket and nut as shown in ①.



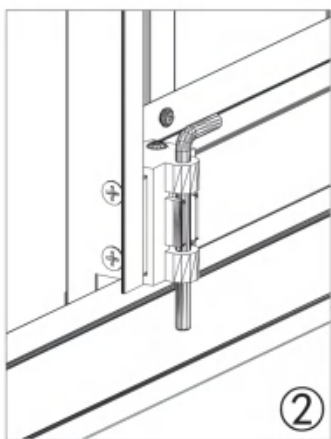
There is a part #Y on the inside of the doorjamb



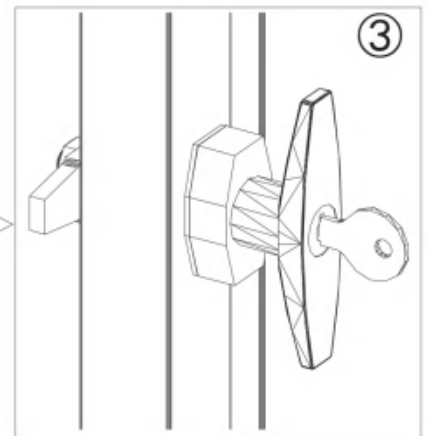
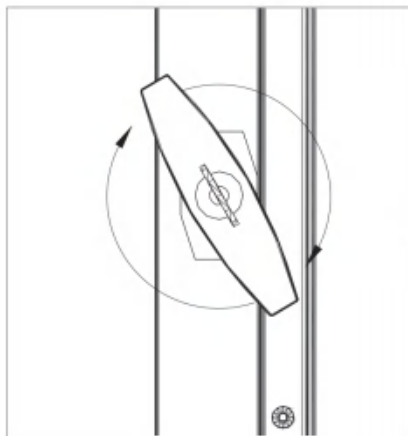
Insert the bolt and lock the door

Open the door: insert the key, rotate 180° counterclockwise, and rotate the handle counterclockwise to open the door.

Lock the door: close the door, insert the key, rotate the handle clockwise, then rotate the key 180° clockwise and pull the key out.



Insert the bolt and locks the door





RESORT COMFORT IN YONR
OWN BACKYARD

Thanks for your purchase.


At domi outdoor living, we believe in our products.

That's why we provide a 12-month warranty and

friendly, easy-to-reach after-sales service. So if you

have any questions about our product and assembly-

,please feel free to contact us. We will be here for you.

Support:  

email: service@domioutdoorliving.com

Please tell us your order ID when contact.

Attach photos of damaged part for instant reply.