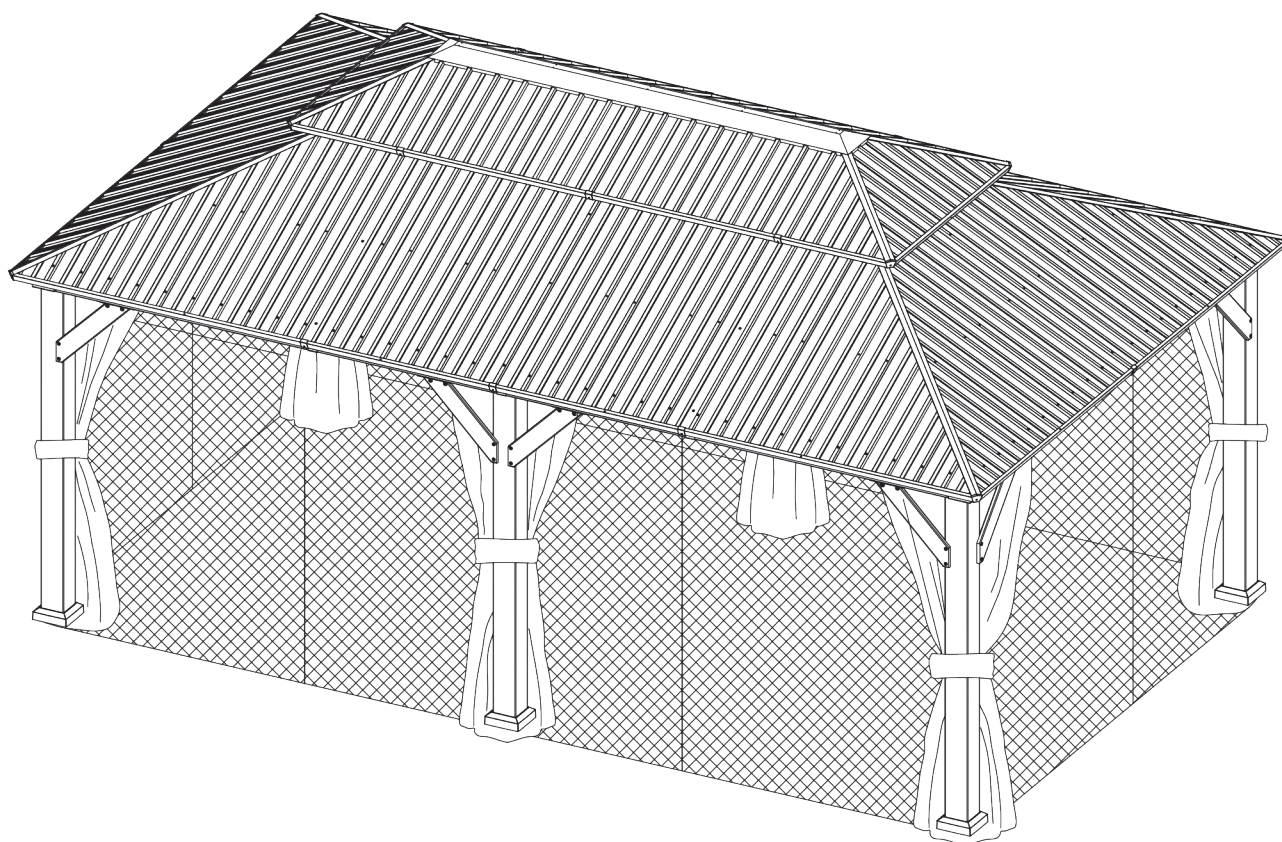




# 12' x 20' Metal Patio Wood Gazebo

## ASSEMBLY MANUAL



MODEL#:LGMF1599

Missing part? Damaged? Contact us via email at

[service@domioutdoorliving.com](mailto:service@domioutdoorliving.com)

# Pre-assembly



1. Two or more people are required for assembly.



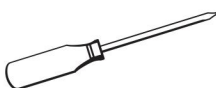
2. You will need one or more stepladders.



3. Wearing protective gloves is recommended.



4. You may need a safety hat.



5. Please use a Phillips screw driver.



6. For ease of construction, you may need a drill.



7. You may need a safety goggle.



8. Do not fully tighten screws prior to complete assembly.

## Warning & Attention

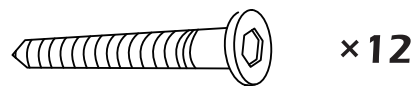
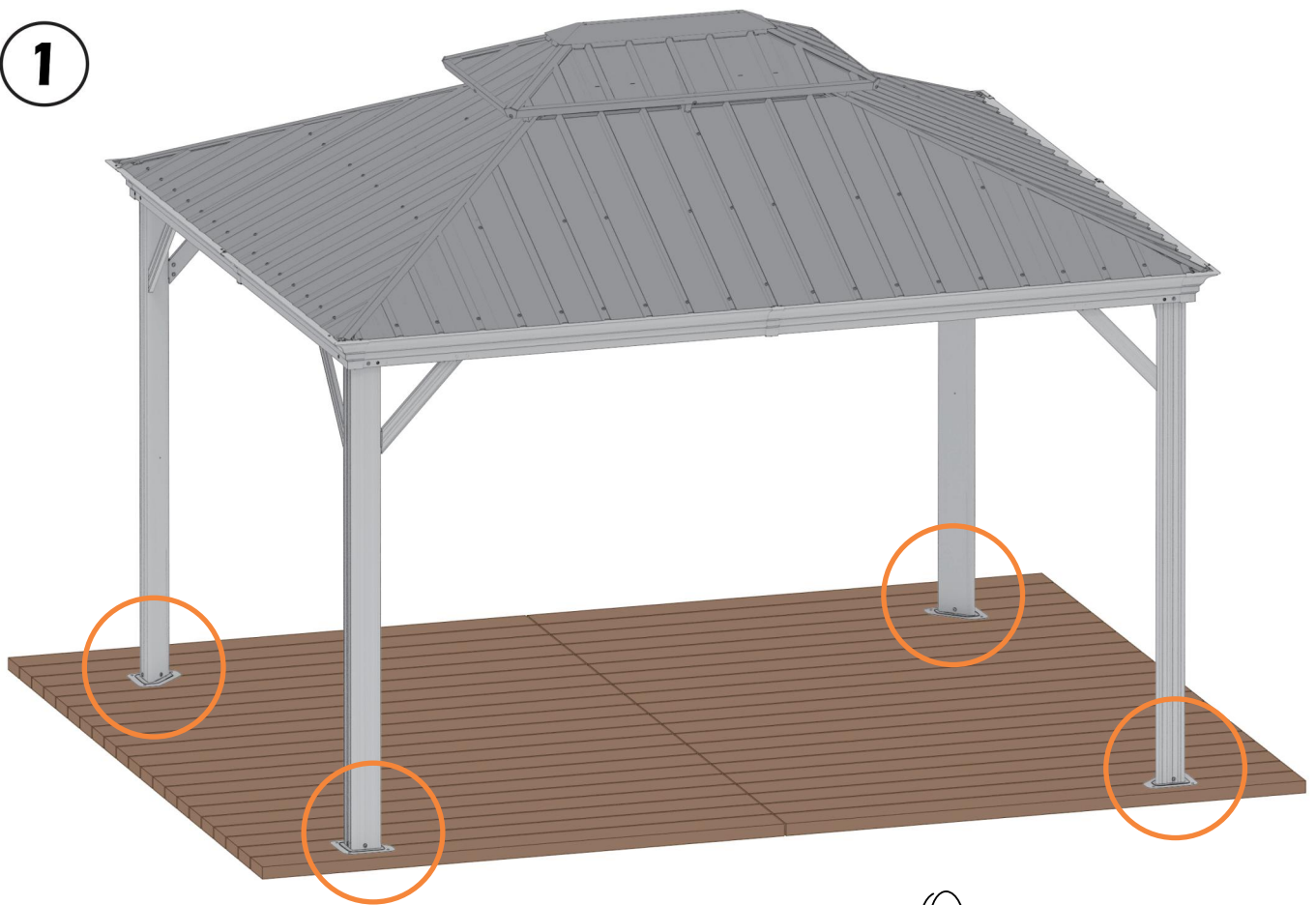
-Try to assemble this product on the flat ground, otherwise it is difficult to carry out;

-It would be much easier to assemble the product with three or more people;

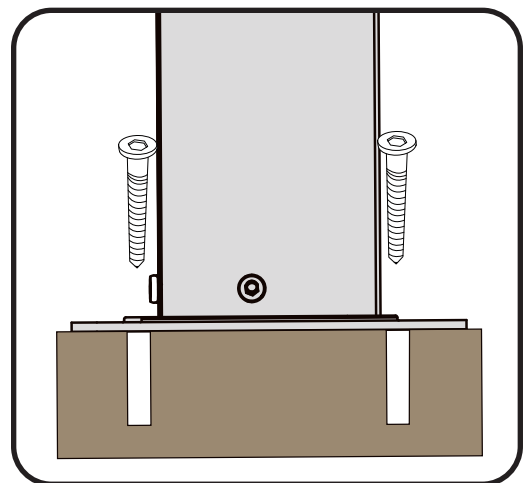
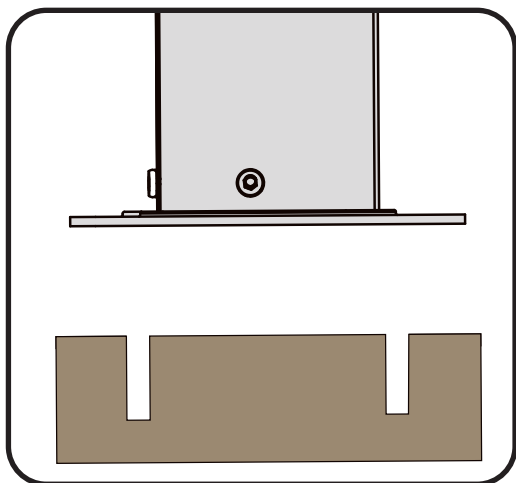
-After assembly, please check whether all screws are tightened, to prevent parts from falling apart.

▲ Use bolts to secure the frame to the ground to against the strong wind.

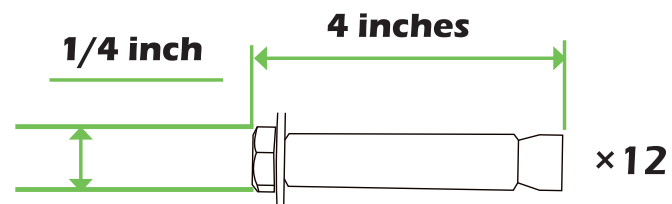
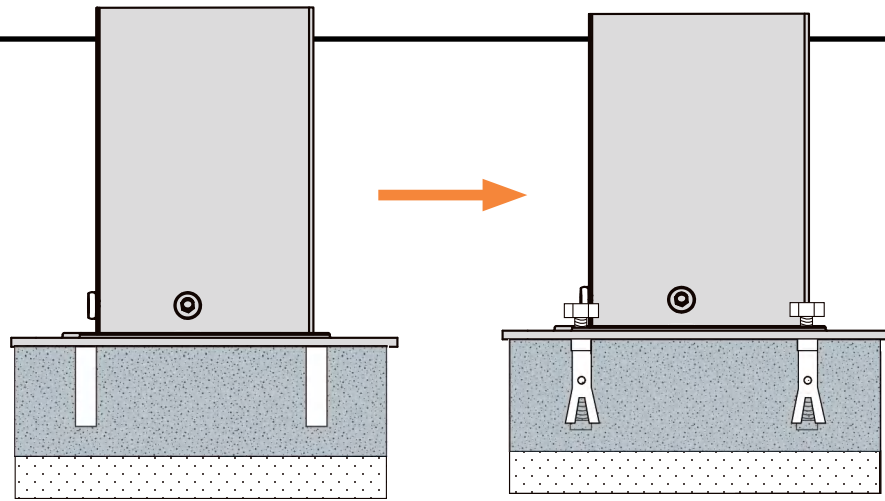
1



If the deck is hard wood and the depth of it is over 3 inch, you can use **5/16 in. x4 in. Structural Wood Screw** to mount the gazebo.

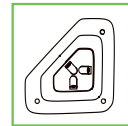
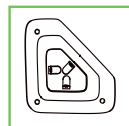
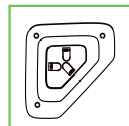


2



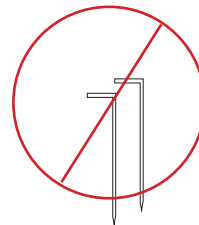
If the ground is concreted and the depth of it is over 3 inch, you can use 1/4 inch expansion bolts to mount the gazebo

3

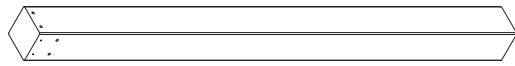


Or you can make a concrete footing for gazebo, **15×15×15 inches** is recommended. use expansion bolts to mount the pergola like ② shows.

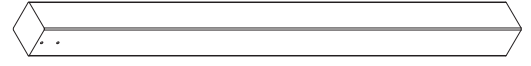
**IMPORTANT:**  
Anchor is not recommended



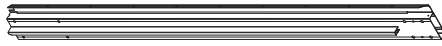




A 4x Wood Pole



A1 2x Wood Pole



C 2x Beam



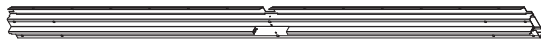
C1 2x Beam



D 2x Beam



D1 2x Beam



D2 2x Beam



E 4x Corner Roof Bar



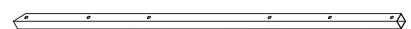
E1 4x Corner Roof Bar Connector



E2 8x Roof Bar



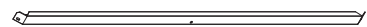
F 4x Solidfying Bar



G 4x Solidfying Bar



G1 4x Solidfying Bar



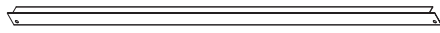
H 2x Finishing Bar



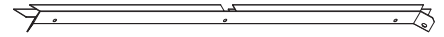
H1 2x Finishing Bar



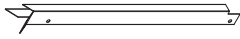
H2 2x Finishing Bar



(H3) 4x Finishing Bar



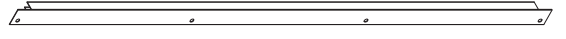
(J) 2x Finishing Bar



(J1) 2x Finishing Bar



(J2) 2x Finishing Bar



(J3) 4x Finishing Bar



(K) 2x Finishing Bar



(K1) 2x Finishing Bar



(K2) 2x Finishing Bar



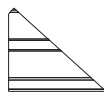
(K3) 2x Finishing Bar



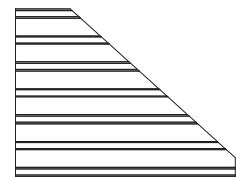
(K4) 2x Finishing Bar



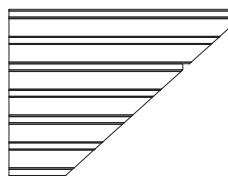
(K5) 2x Finishing Bar



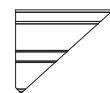
(L1) 2x Roof Panel



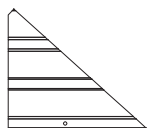
(L2) 2x Roof Panel



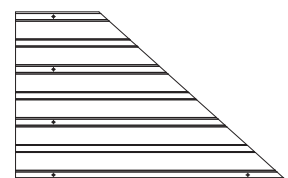
(L3) 2x Roof Panel



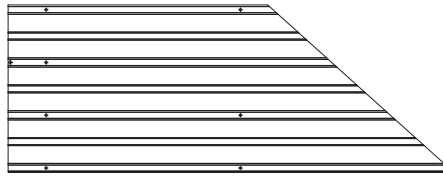
(L4) 2x Roof Panel



(M1) 2x Roof Panel



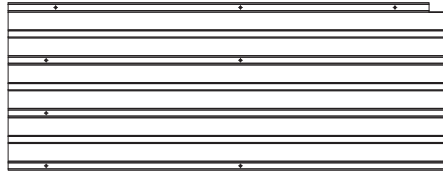
(M2) 2x Roof Panel



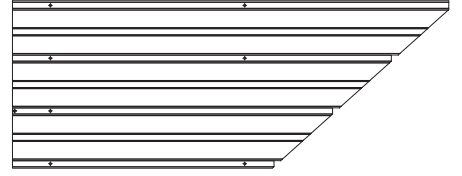
(M3) 2x Roof Panel



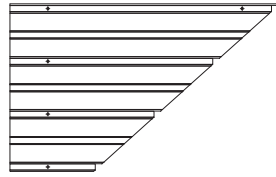
(M4) 2x Roof Panel



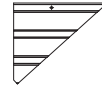
(M5) 2x Roof Panel



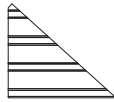
(M6) 2x Roof Panel



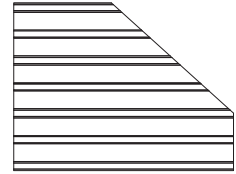
(M7) 2x Roof Panel



(M8) 2x Roof Panel



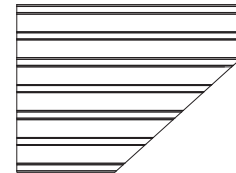
(N1) 2x Roof Panel



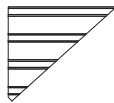
(N2) 2x Roof Panel



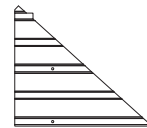
(N3) 8x Roof Panel



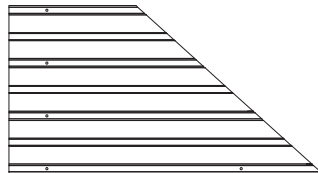
(N4) 2x Roof Panel



(N5) 2x Roof Panel



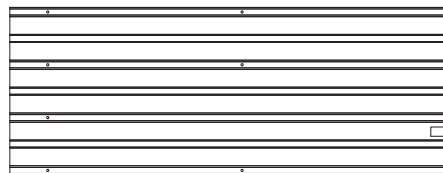
(P1) 2x Roof Panel



(P2) 2x Roof Panel



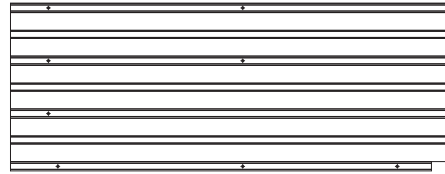
(P3) 2x Roof Panel



(P4) 2x Roof Panel



(P5) 2x Roof Panel



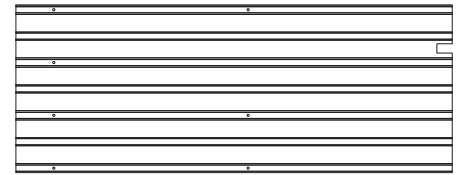
P6 2x Roof Panel



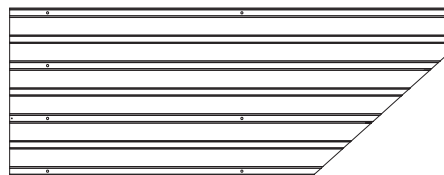
P7 2x Roof Panel



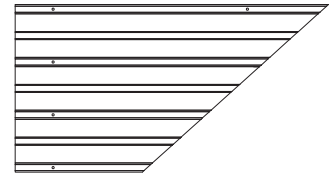
P8 2x Roof Panel



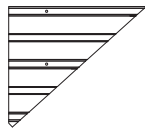
P9 2x Roof Panel



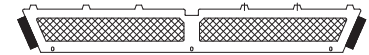
P10 2x Roof Panel



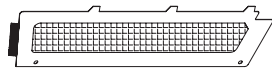
P11 2x Roof Panel



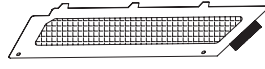
P12 2x Roof Panel



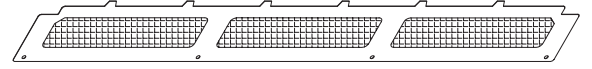
Q 2x Net Frame



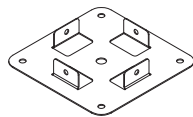
Q1 2x Net Frame



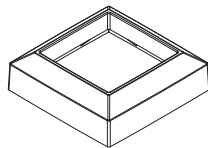
Q2 2x Net Frame



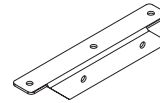
Q3 4x Net Frame



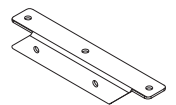
B 6X Base



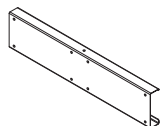
B1 6X Base Cover



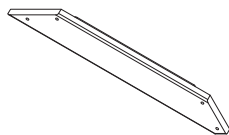
B2 6X Joint Cover



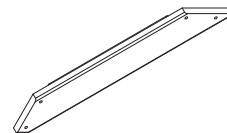
B3 6X Joint Cover



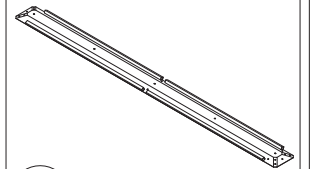
C2 6X Union Bar



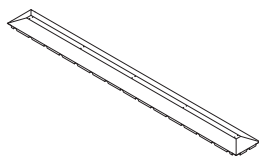
R 6X Corner Solidifying Bar



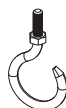
R1 6X Corner Solidifying Bar



S 1x Inside Roof Cover



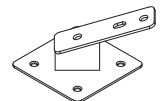
S1 1x Outside Roof Cover



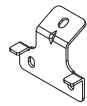
T 5X J-Hook



T1 6X Bracket



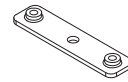
U 4X Bracket



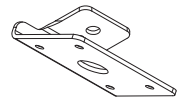
U1 6x Bracket



U2 4x Bracket



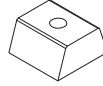
U3 8x Joint Cover



U4 2x Bracket



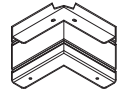
V 152x Hook



W 160x Spacer



X 8x Bracket



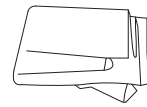
X1 4x Corner Cover



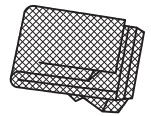
X2 14x Finishing End



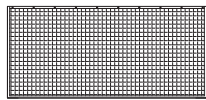
X3 12x Finishing End



Y 4x Solid Sidewall



Y1 4x Mosquito Sidewall



Y2 2x Mosquito Sidewall



Y3 2x Solid Sidewall



Z 76x Plastic Bracket



Z1 4x Plastic Bracket



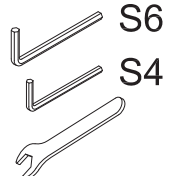
Z2 4x Plastic Bracket



Z3 2x Plastic Bracket



Z4 2x Plastic Bracket



1 1x



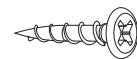
ST6.3x15

2 12x



ST5x16

3 32x



ST5x30

4 24x



M6

5 192x



M6x38

6 24x



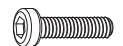
M6x10

7 32x



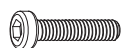
M6x16

8 180x



M6x25

9 8x



M6x28

10 100x



M6x45

11 4x



M6x50

12 48x



ST6.3x35

13 48x





ST8X30

14 16x



D6. 6\*2

15 24x



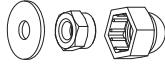
M3x65

16 1x Drill



M8X160

17 20x

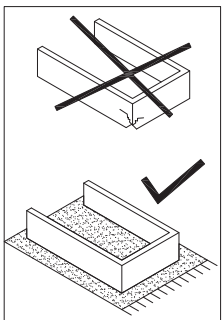


M8

18 20x

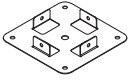


19 16x

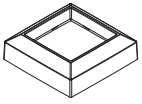




A 4x



B 4x



B1 4x



ST6. 3X35

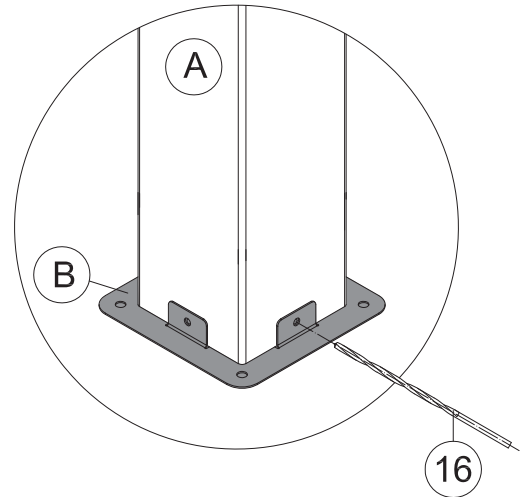
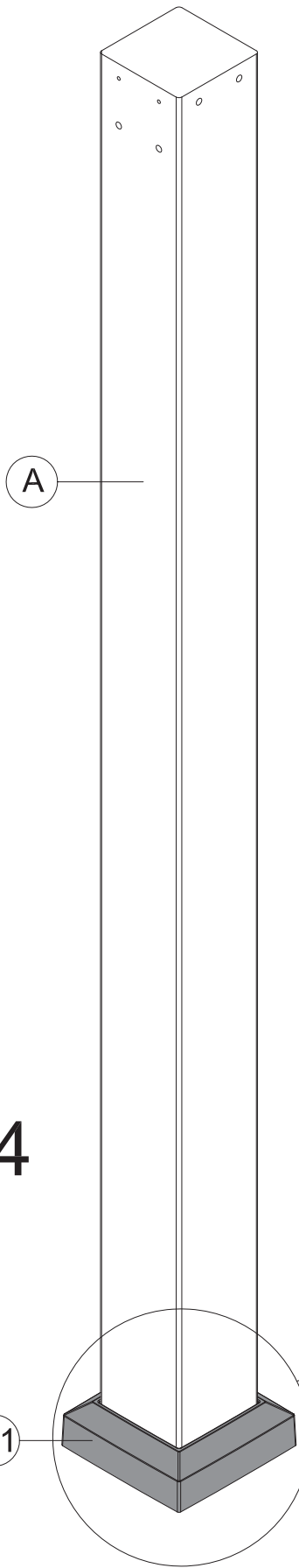
13 16x



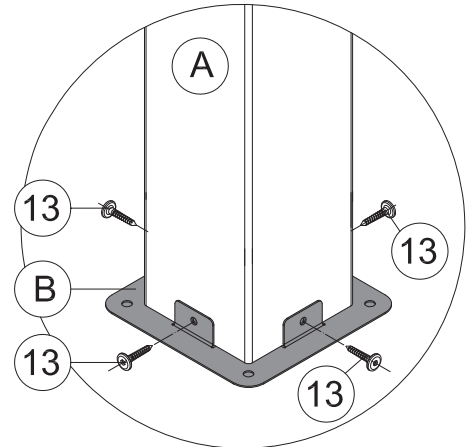
M3x65

16 1x

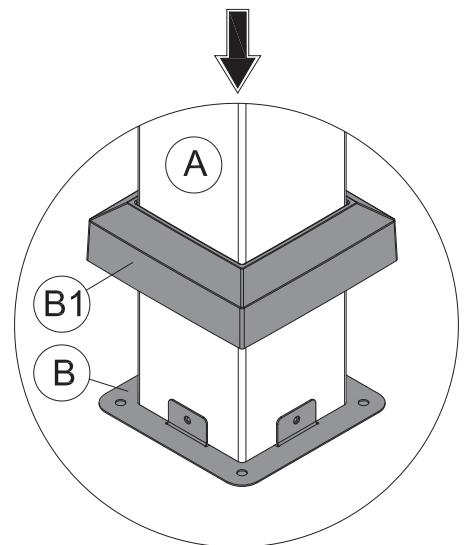
X4



(1) Put Part #B on the bottom of Part #A, after adjusting the position, use Drill #16 to drill holes at the holes in Part #B.



(2) Secure Part #B and Part #A with 4 Bolts #13.

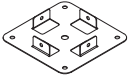


(3) Cover Part #B1 on Part #B.

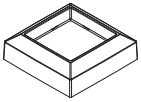
(4) Repeat the above procedures to assemble the other 3 Part #A.



A1 2x



B 2x



B1 2x



ST6. 3X35

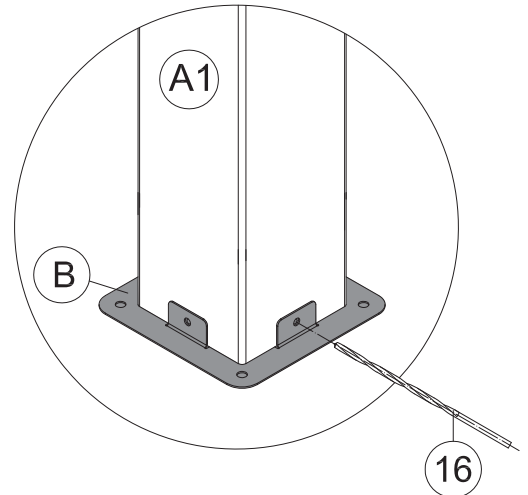
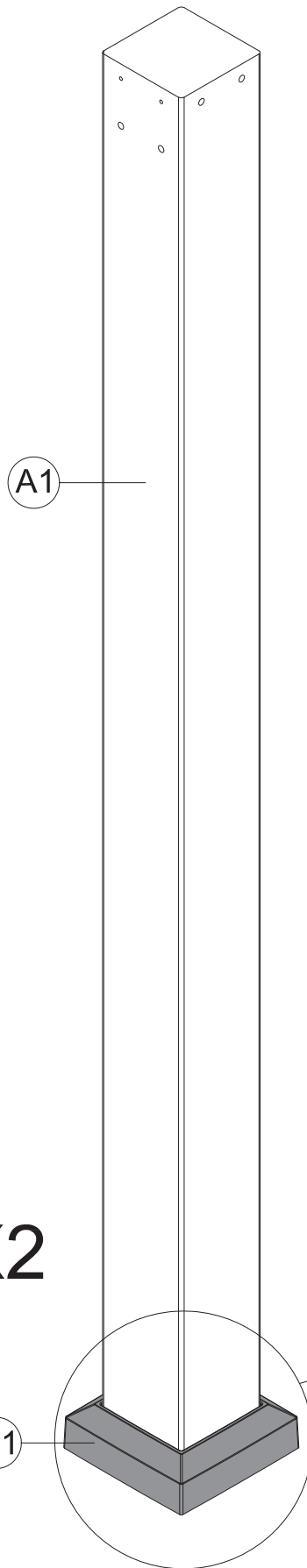
13 8x



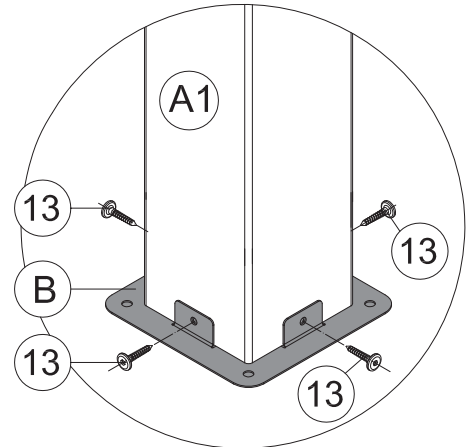
M3x65

16 1x

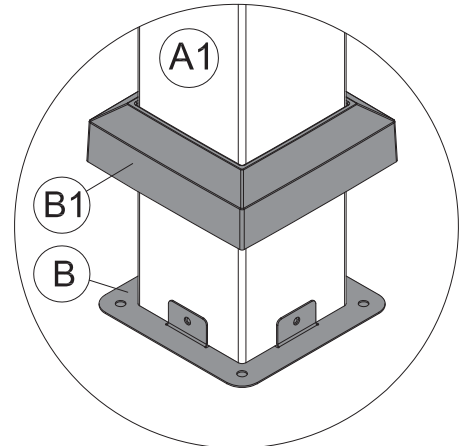
X2



(1) Put Part #B on the bottom of Part #A1, after adjusting the position, use Drill #16 to drill holes at the holes in Part #B.

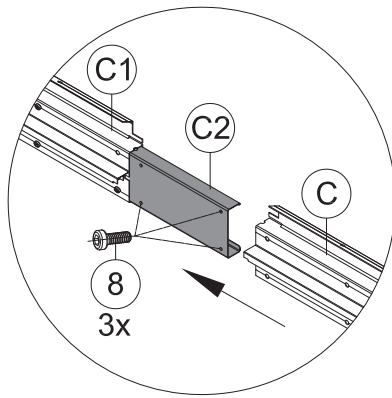
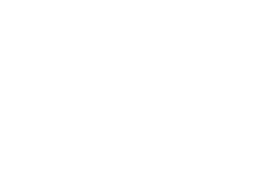
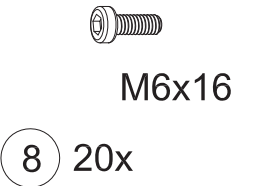
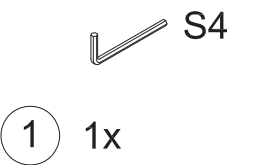
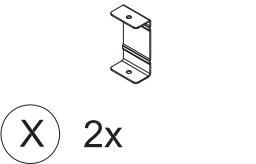
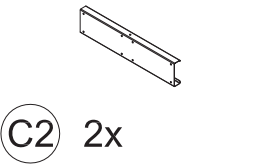
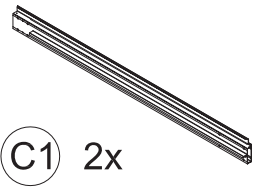
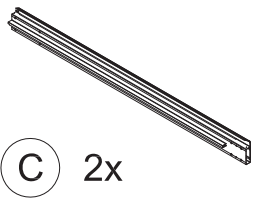


(2) Secure Part #B and Part #A1 with 4 Bolts #13.

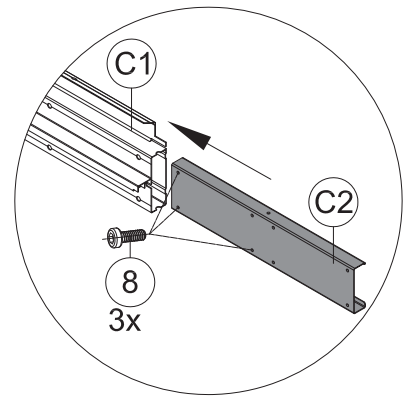


(3) Cover Part #B1 on Part #B.

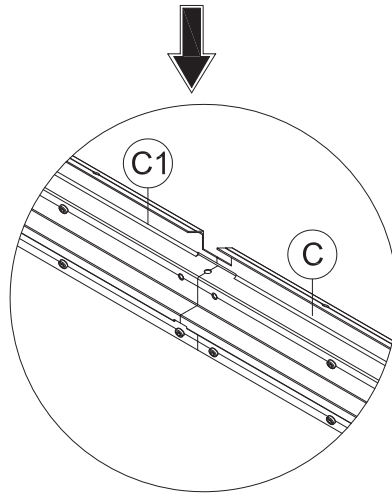
(4) Repeat the above procedures to assemble the other 2 Part #A1.



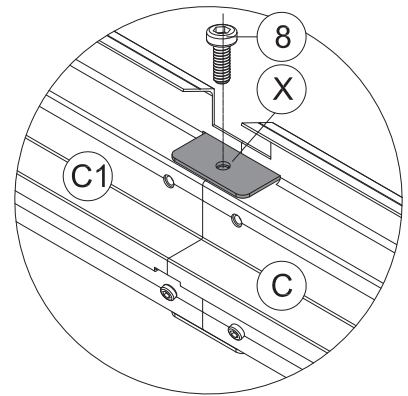
(2) Insert the other side of Part #C2 into Part #C and secure with 3 Bolts #8.



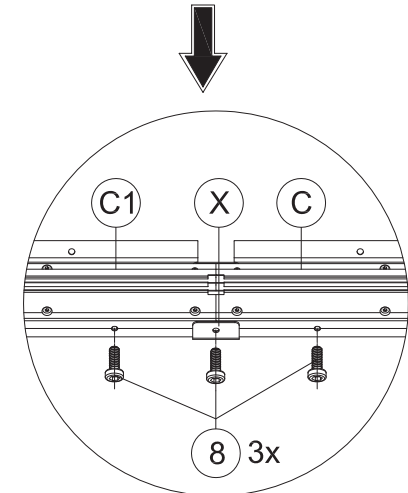
(1) Insert Part #C2 into Part #C1 and secure with 3 Bolts #8.



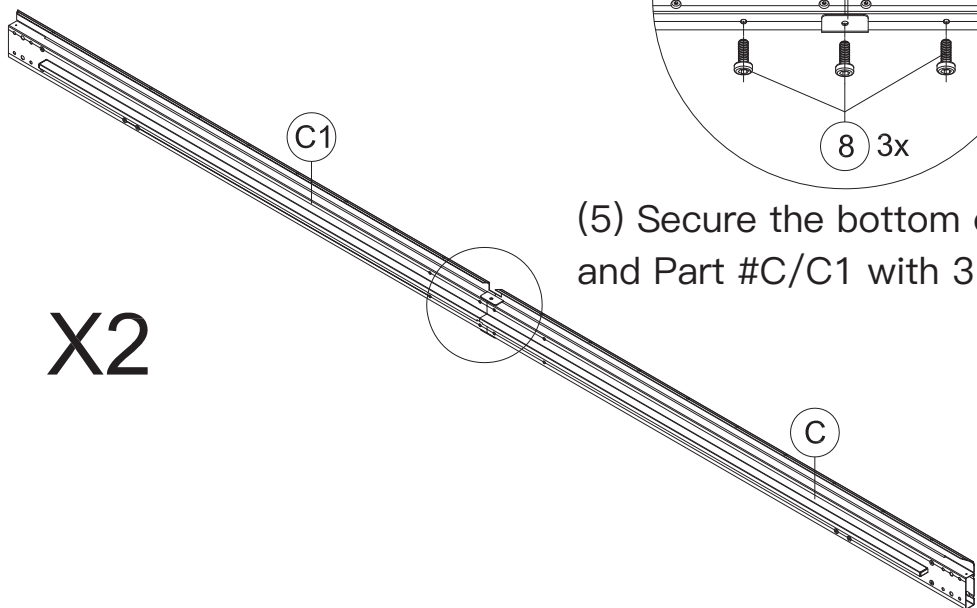
(3) Connect Part #C1 and Part #C through Part #C2.



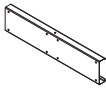

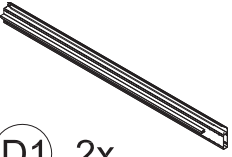
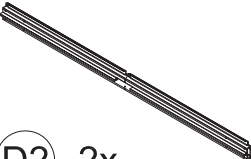
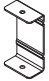

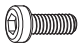
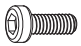

(4) Insert Part #X into the beam and secure with 1 Bolt #8.

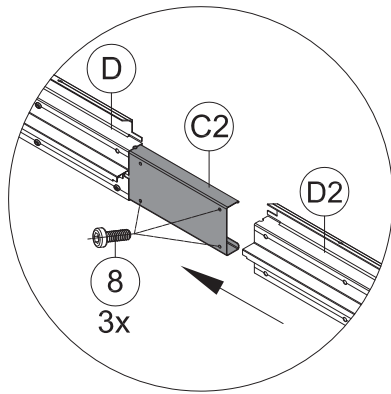


(5) Secure the bottom of Part #X and Part #C/C1 with 3 Bolts #8.

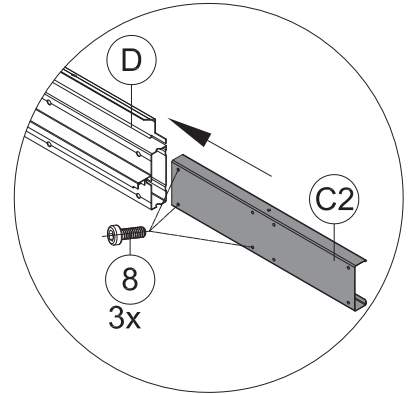


(6) Repeat the above procedures to assemble the other Part #C and Part #C1.

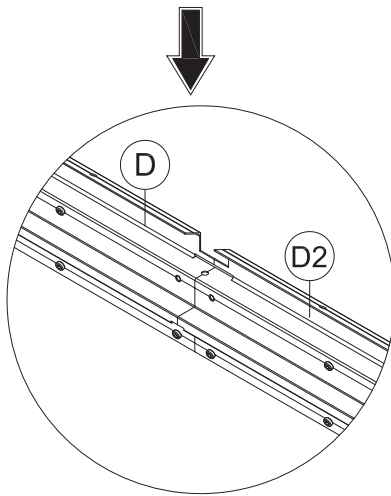
-  C2 4x
-  D 2x
-  D1 2x
-  D2 2x
-  X 4x
-  S4
-  1 1x
-  M6x16
-  8 40x



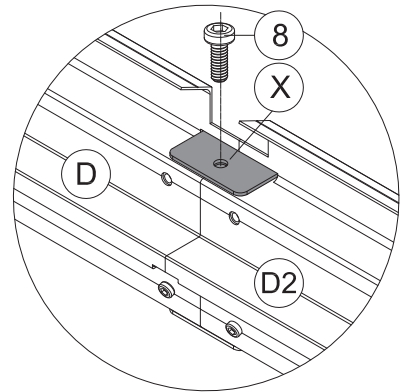
(2) Insert the other side of Part #C2 into Part #D2 and secure with 3 Bolts #8.



(1) Insert Part #C2 into Part #D and secure with 3 Bolts #8.

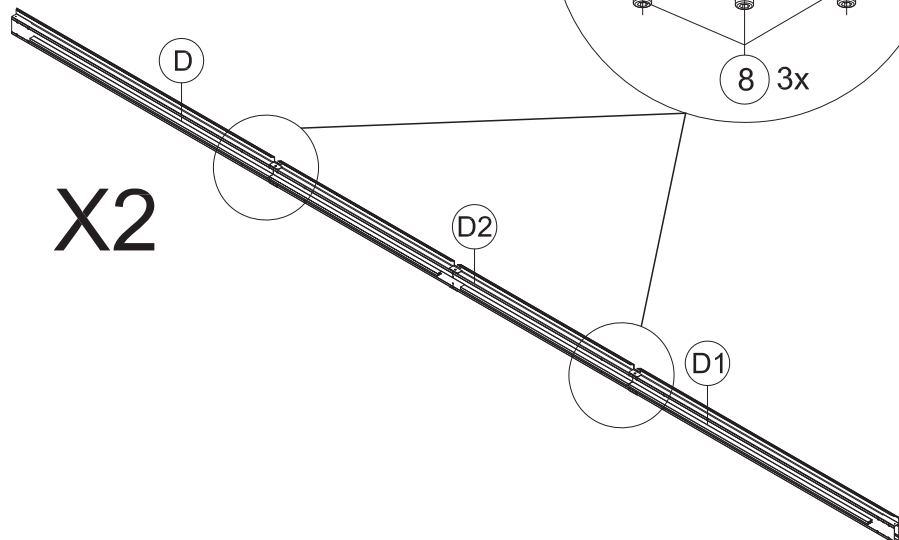
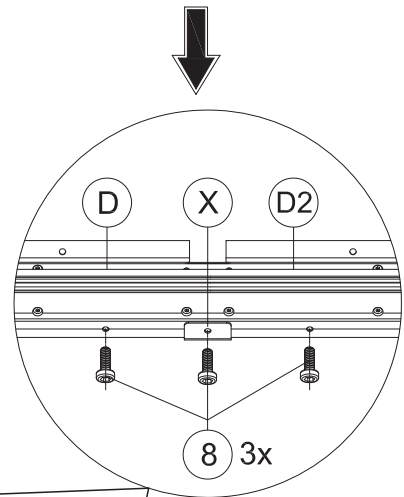


(3) Connect Part #D and Part #D2 through Part #C2.



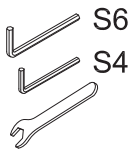
(4) Insert Part #X into the beam and secure with 1 Bolt #8.

(5) Secure the bottom of Part #X and Part #D&#D2 or Part #D2&#D1 with 3 Bolts #8.



(6) Repeat the above procedures to assemble the other Part #D & #D1 & #D2.





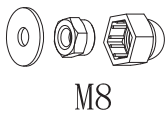
1 1x



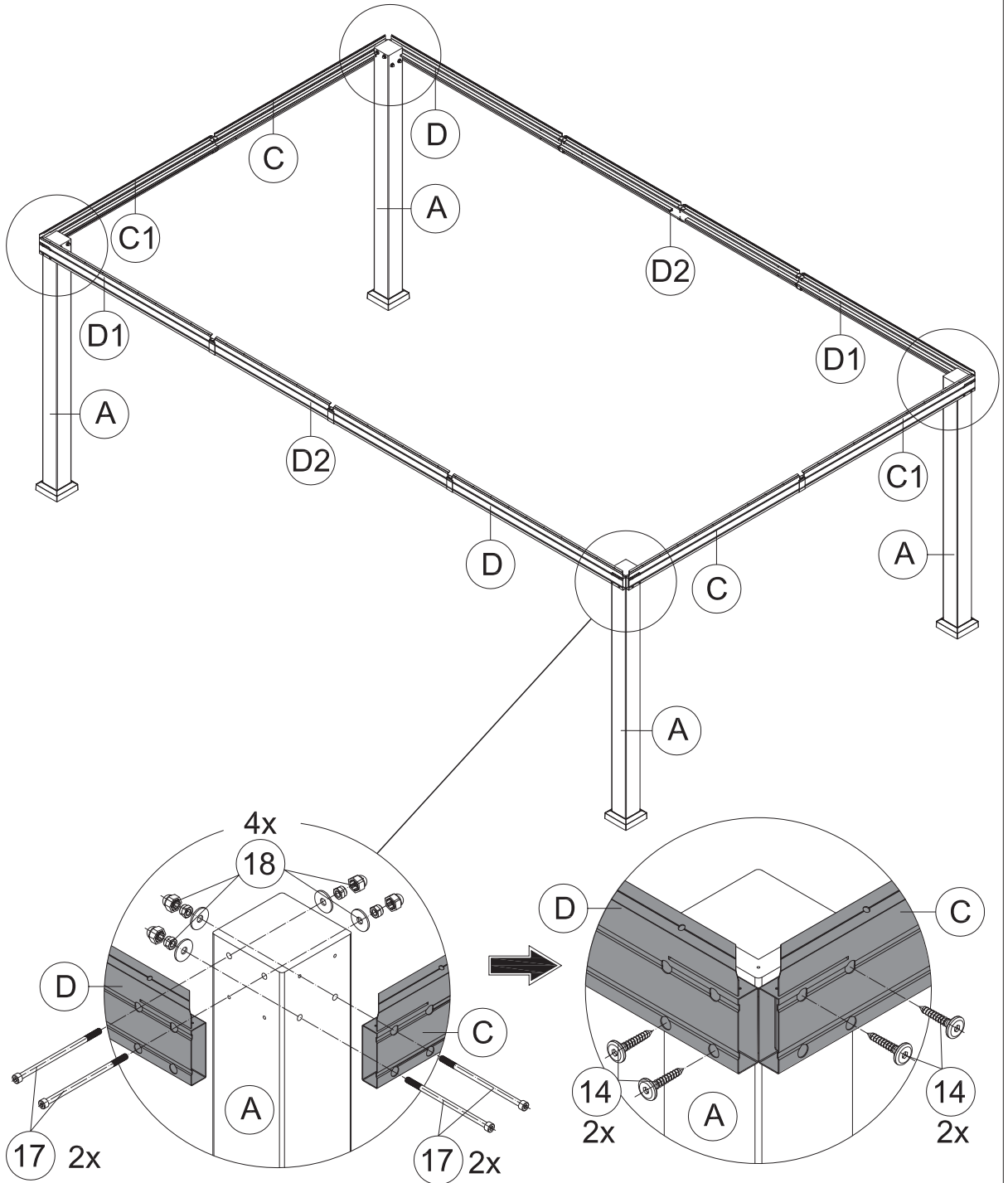
14 16x



17 16x



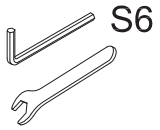
18 16x



- (1) Connect Part #D/#C1 to Part #A with 2 Bolts #17, and fix from the other side with 2 Bolts #18.**(The first row of screw holes)**
- (2) Connect Part #C/#D1 to Part #A with 2 Bolts #17, and fix from the other side with 2 Bolts #18.**(The second row of screw holes)**
- (3) Secure Part #D&#C / #C1&D1 with 4 Bolts #14.
- (4) Repeat the above procedures to assemble the other corners.



X 2x

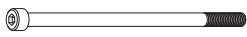


1 1x



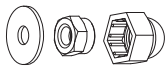
ST5x16

3 4x



M8X160

17 4x

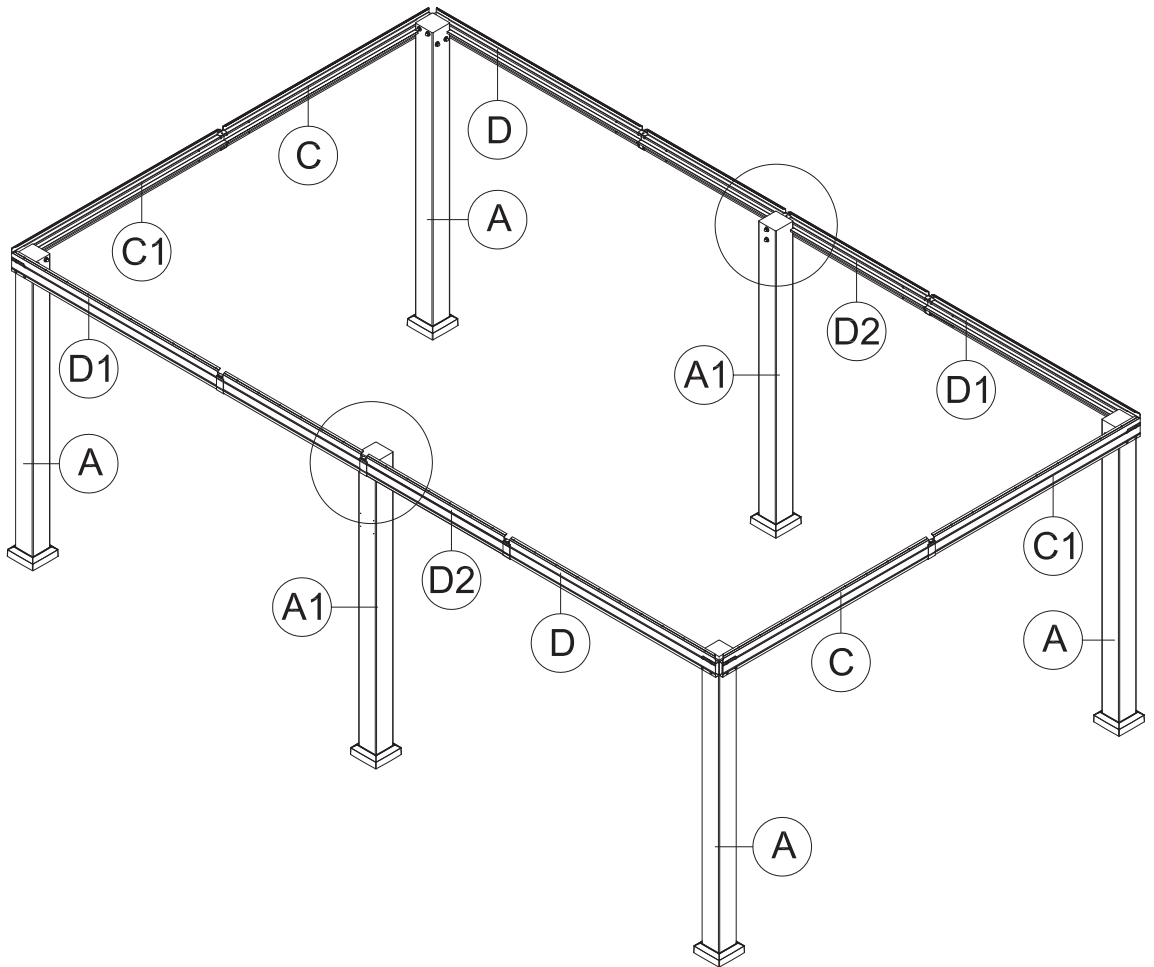
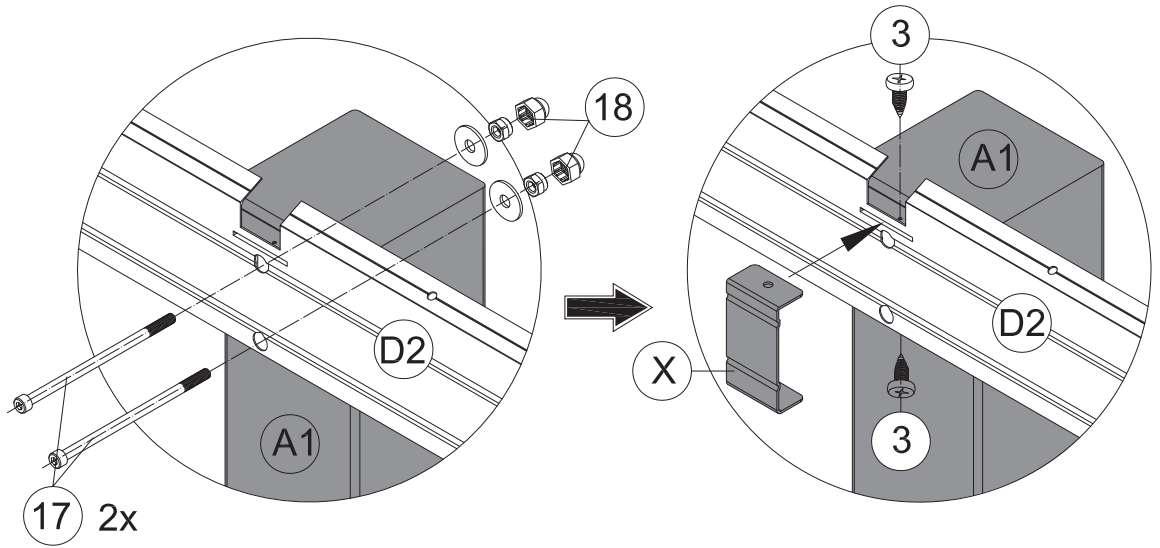


M8

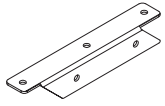
18 4x

(1) Connect Part #D2 to Part #A1 with 2 Bolts #17, and fix from the other side with 2 Bolts #18.

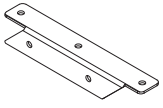
(2) Insert Part #X into the beam and secure with 2 Bolt #3.



(3) Repeat the above procedures to assemble the opposite side.



B2 6x



B3 6x

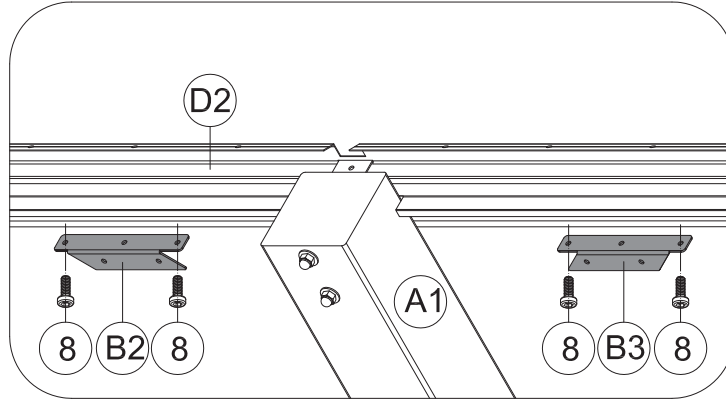
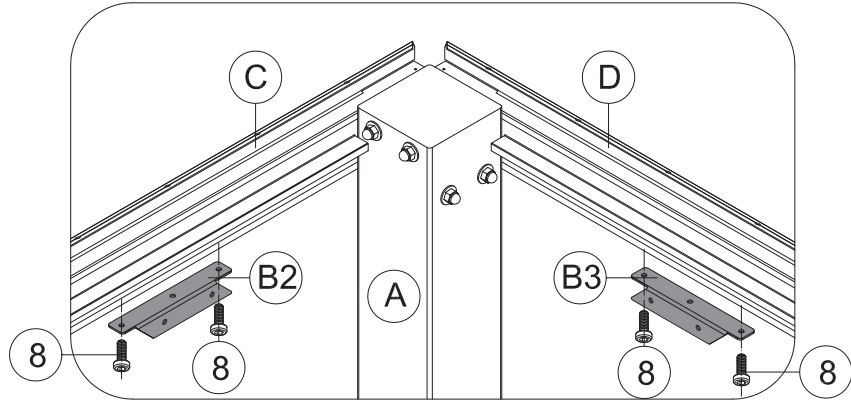


1 1x

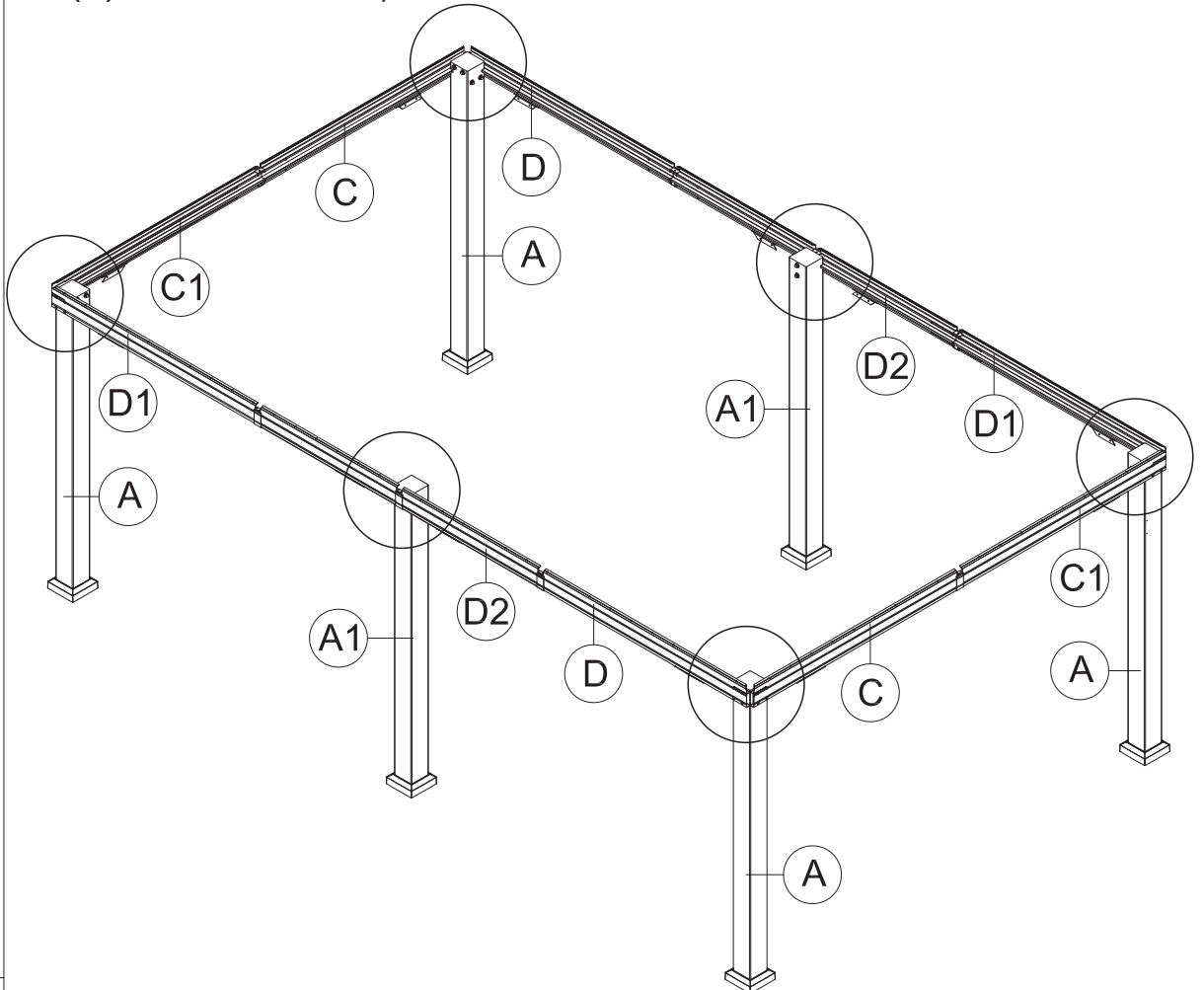


M6x16

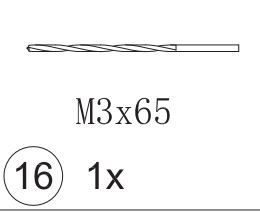
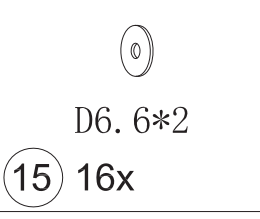
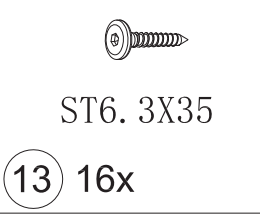
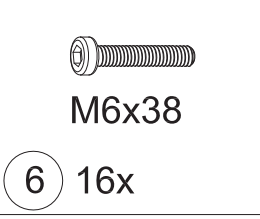
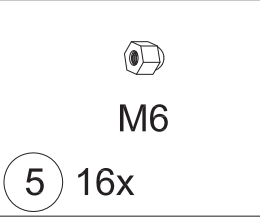
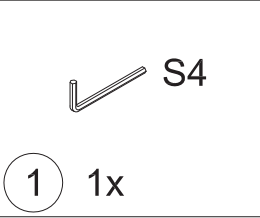
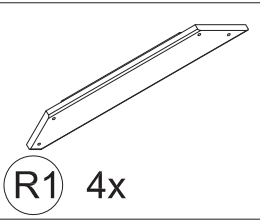
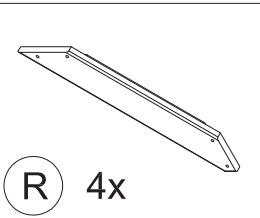
8 24x



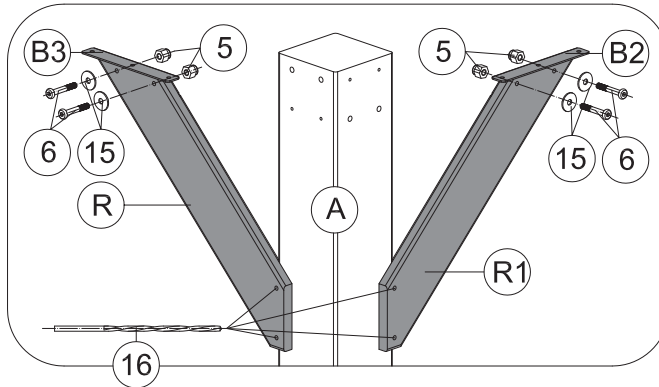
(1) Affix Part #B2 / Part #B3 to the Beam with 2 Bolts #8.



(2) Repeat the above procedures to assemble other Part #B2/#B3.  
▲ Please don't tighten all bolts.

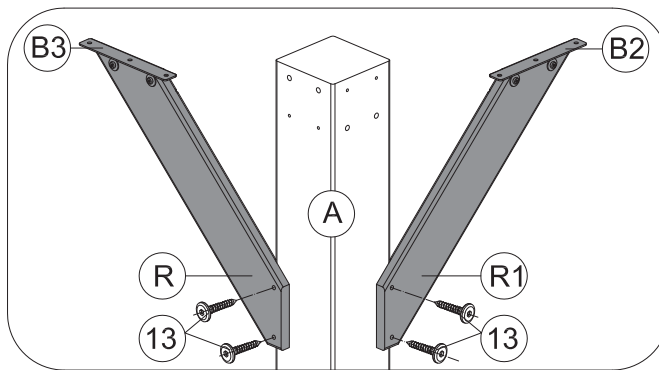


15



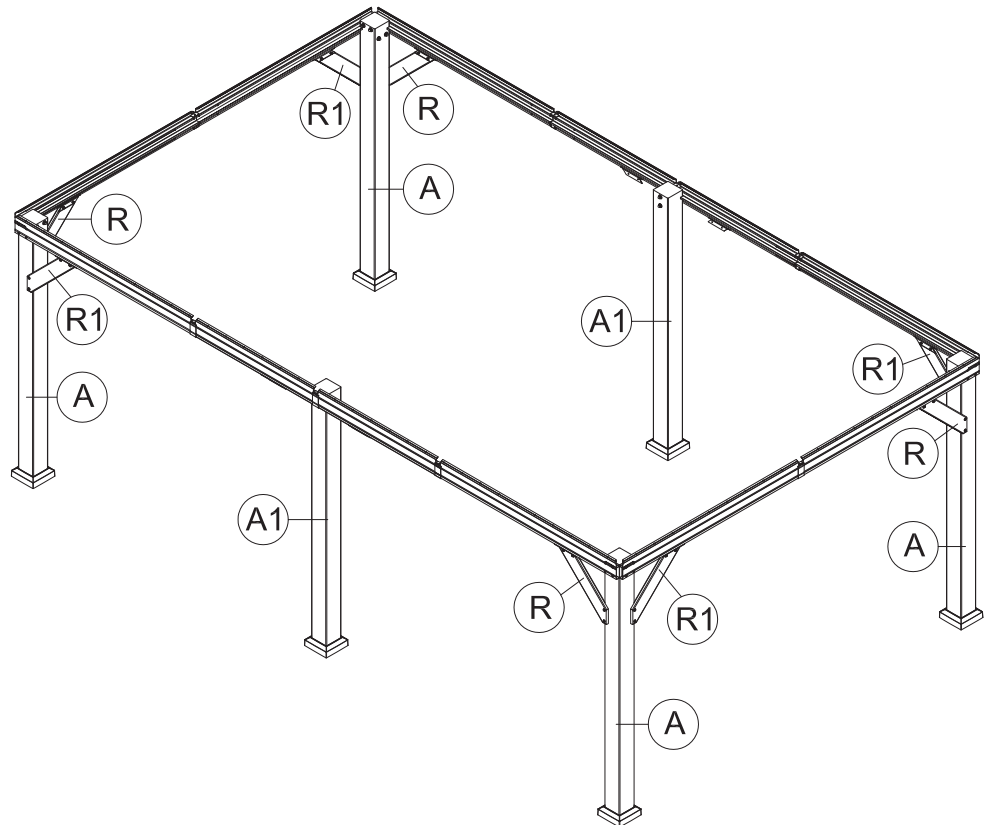
(1) Affix Part #R to Part #B3 with 2 Bolts #6, 2 Washers #15 and 2 Nuts #5.

(2) Affix Part #R1 to Part #B2 with 2 Bolts #6, 2 Washers #15 and 2 Nuts #5.



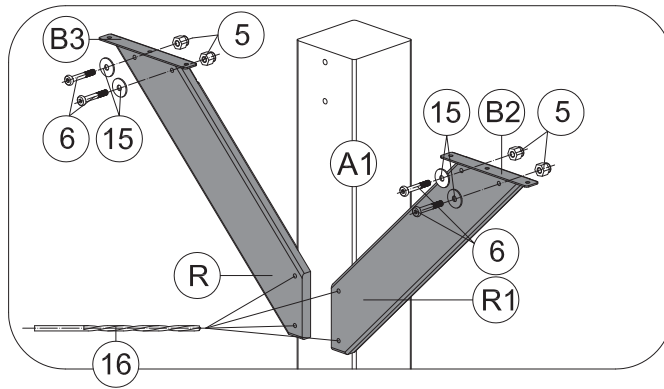
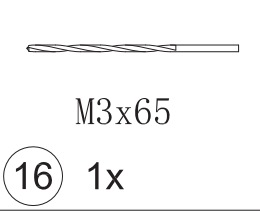
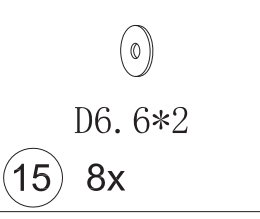
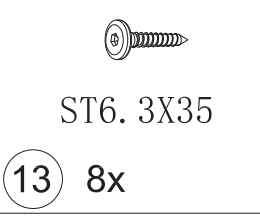
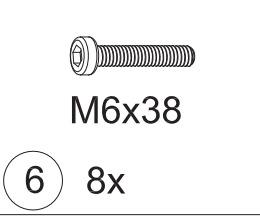
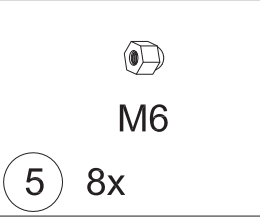
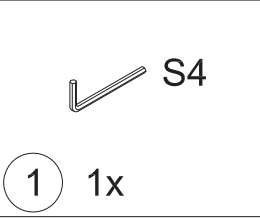
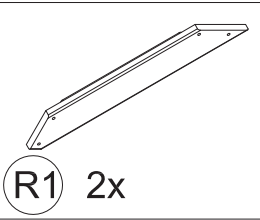
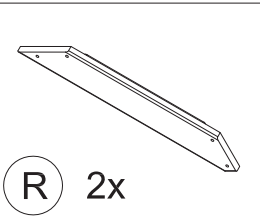
(3) Use Drill #16 to drill holes in the holes reserved for Part #R/#R1.

(4) Affix Part #R and Part #R1 to the posts with 4 Bolts #13.



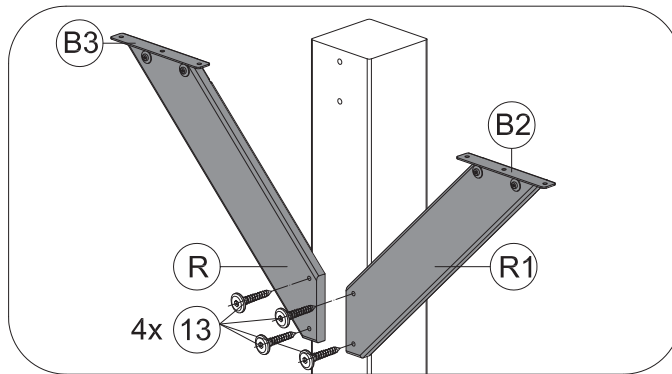
(5) Repeat the above procedures to assemble the other 3 corners.

⚠ Please don't tighten all bolts.



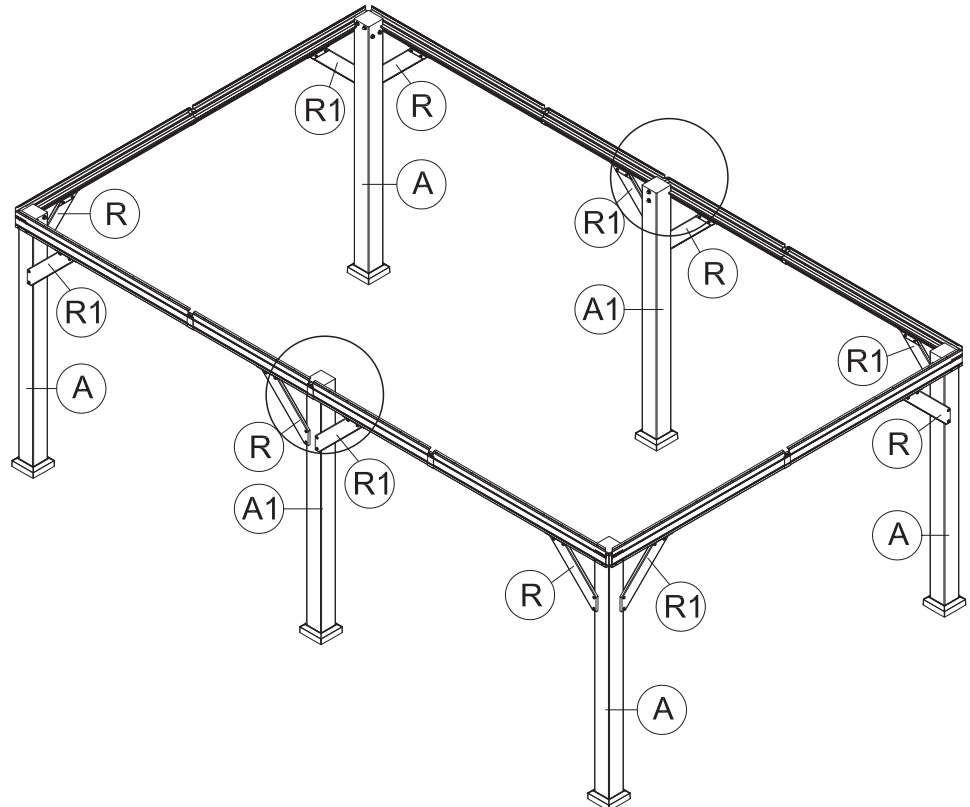
(1) Affix Part #R to Part #B3 with 2 Bolts #6, 2 Washers #15 and 2 Nuts #5.

(2) Affix Part #R1 to Part #B2 with 2 Bolts #6, 2 Washers #15 and 2 Nuts #5.



(3) Use Drill #16 to drill holes in the holes reserved for Part #R/#R1.

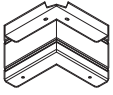
(4) Affix Part #R and Part #R1 to the posts with 4 Bolts #13.



(5) Repeat the above procedures to assemble the the opposite side.

▲ Please don't tighten all bolts.





X1 4x

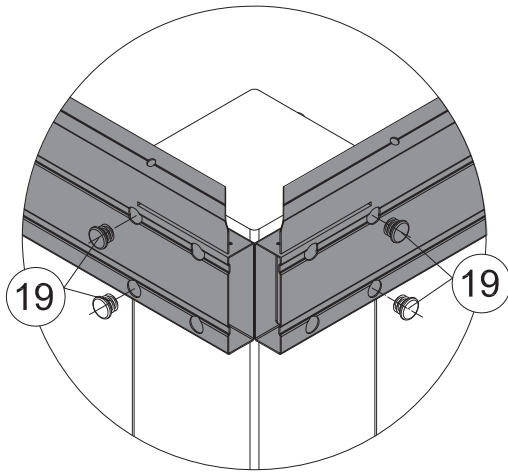


ST5x16

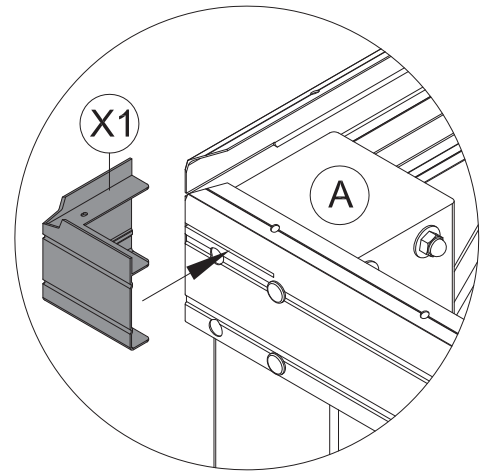
3 16x



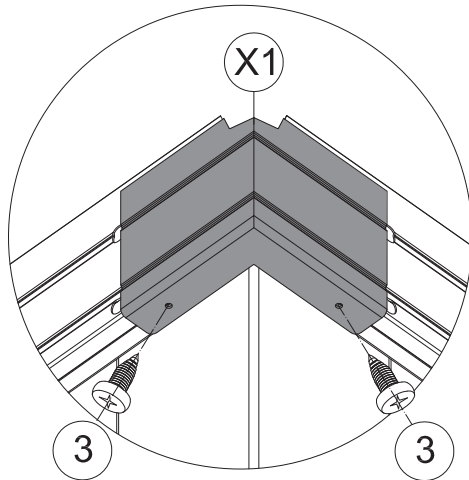
19 16x



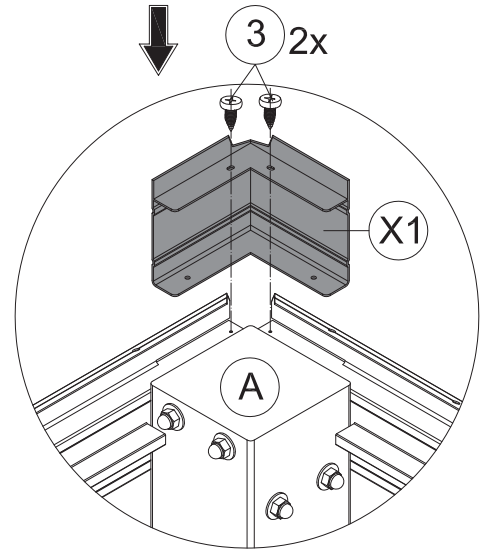
(1) Put 4 Part #19 on the 4 holes.



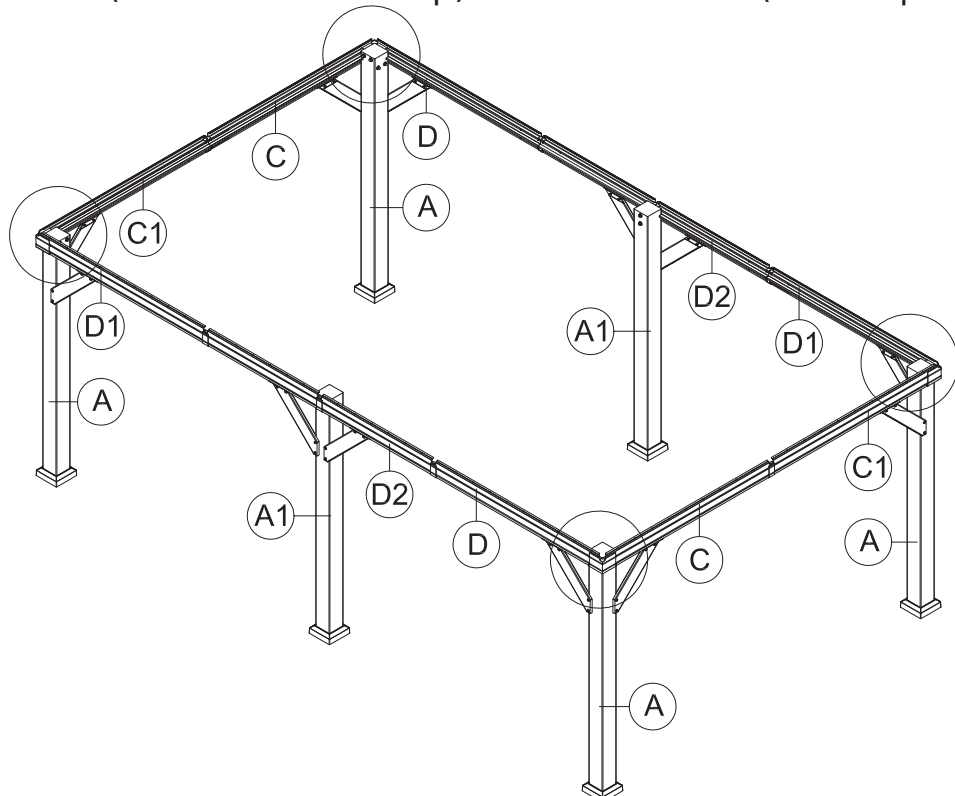
(2) Cover the corner with Part #X1.



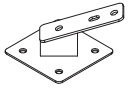
(4) Secure with 2 Self-tapping Screws #3. (from bottom to top)



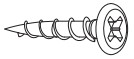
(3) Secure with 2 Self-tapping Screws #3. (from top to bottom)



(5) Repeat the above procedures to assemble the other 3 corners.



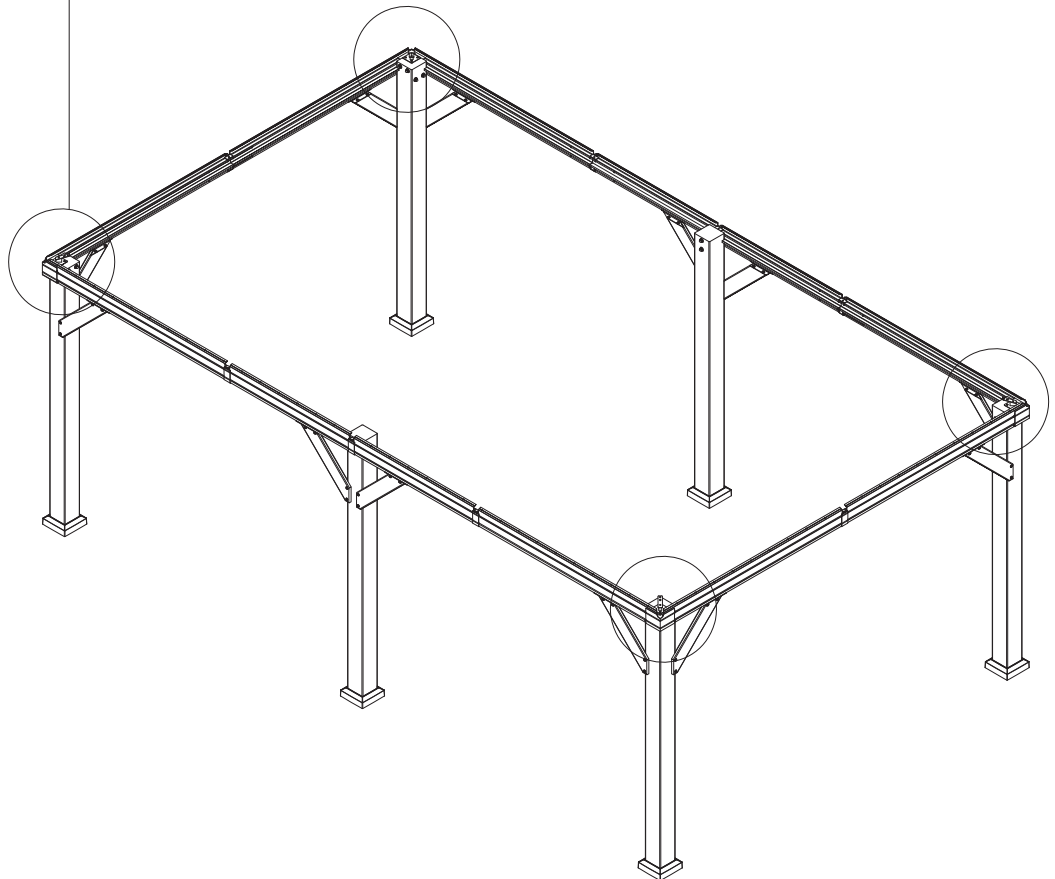
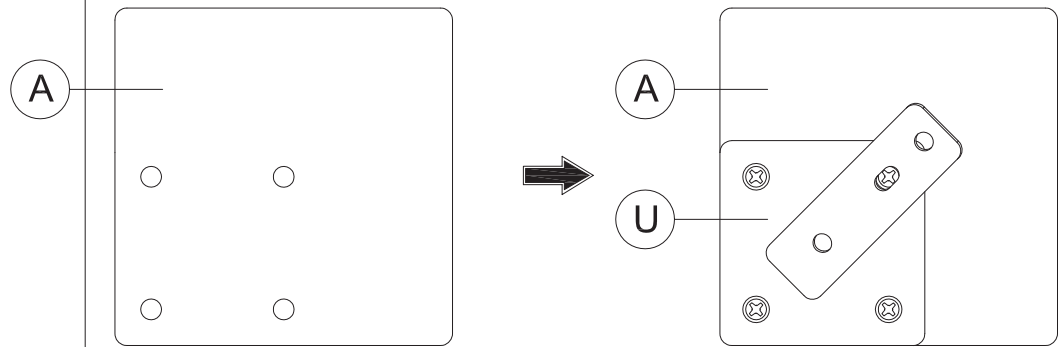
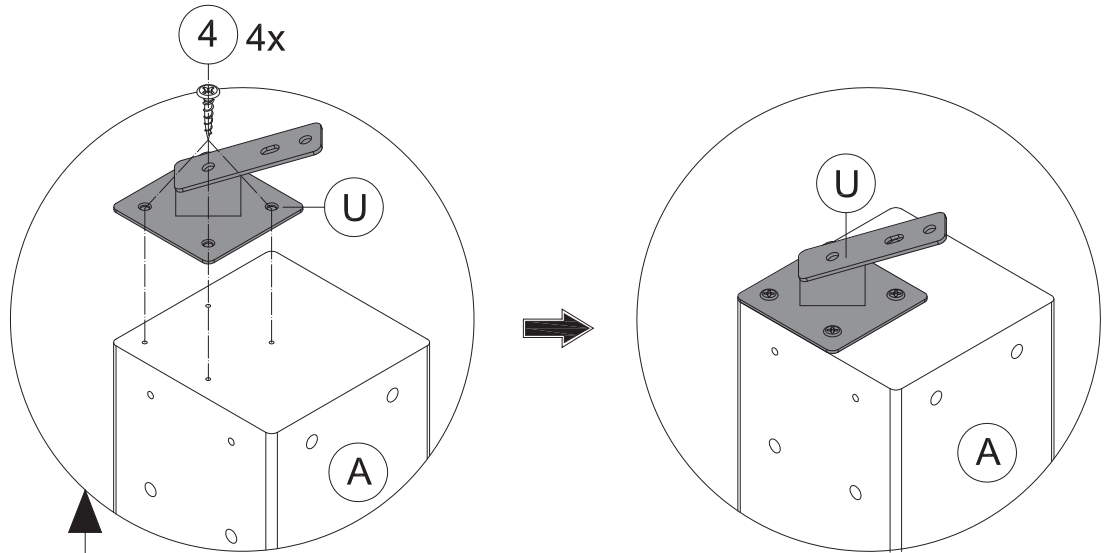
U 4x



ST5x30

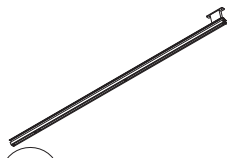
4 16x

(1) Connect Part #U to Part #A with 4 Bolts #4.



(2) Repeat the above procedures to assemble the other 3 corners.

▲ Tighten all bolts.



E 4x



E1 4x



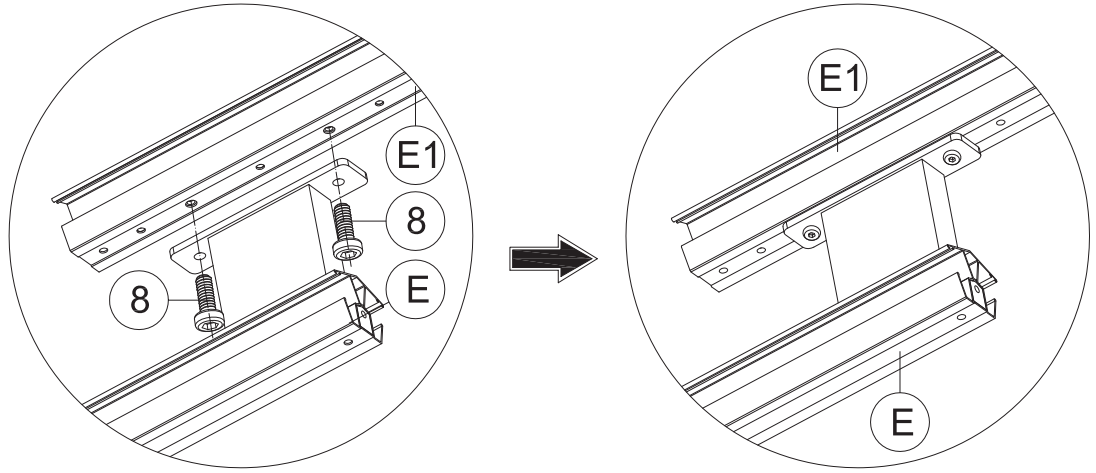
1 1x



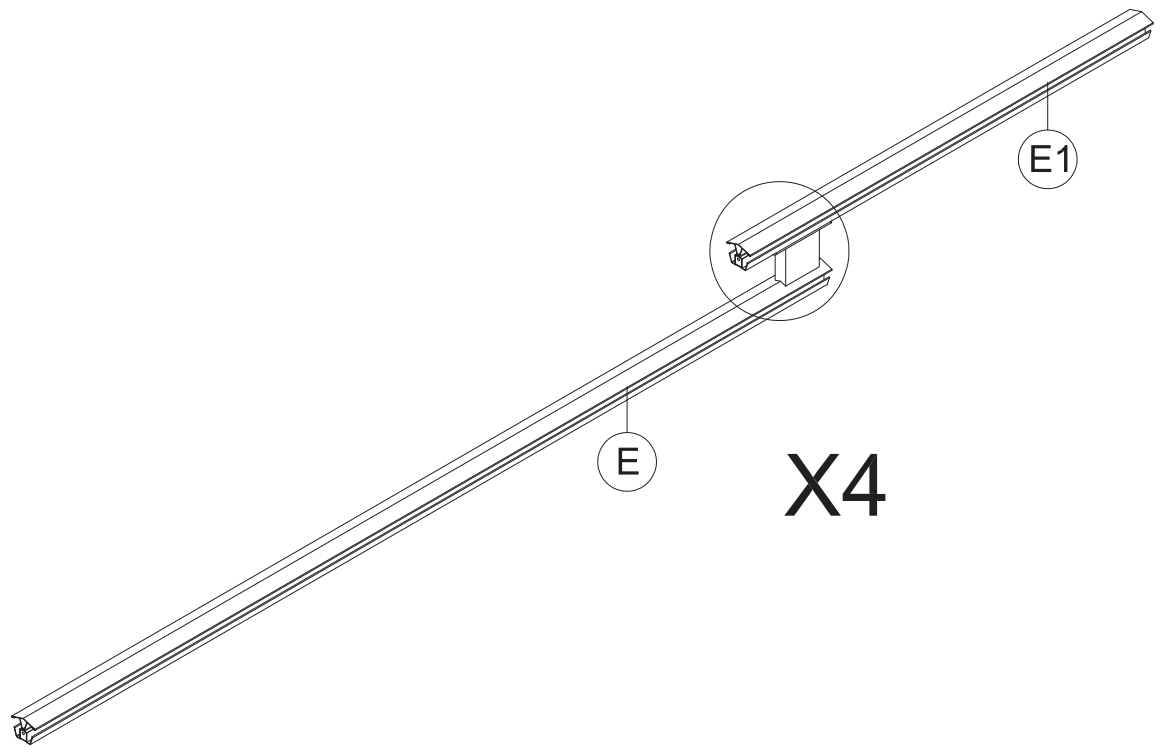
M6x16

8 8x

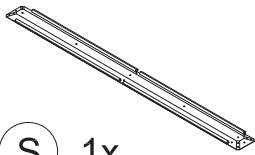
### Assemble the 4 Corner Roof Bars:



(1) Connect Part #E1 and Part #E with 2 Bolts #8 .



(2) Repeat the above procedures to assemble the other 3 corner roof bars.



S 1x



S4

1 1x



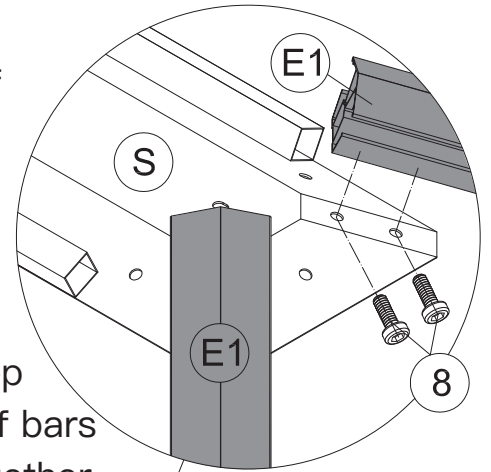
M6x16

8 16x

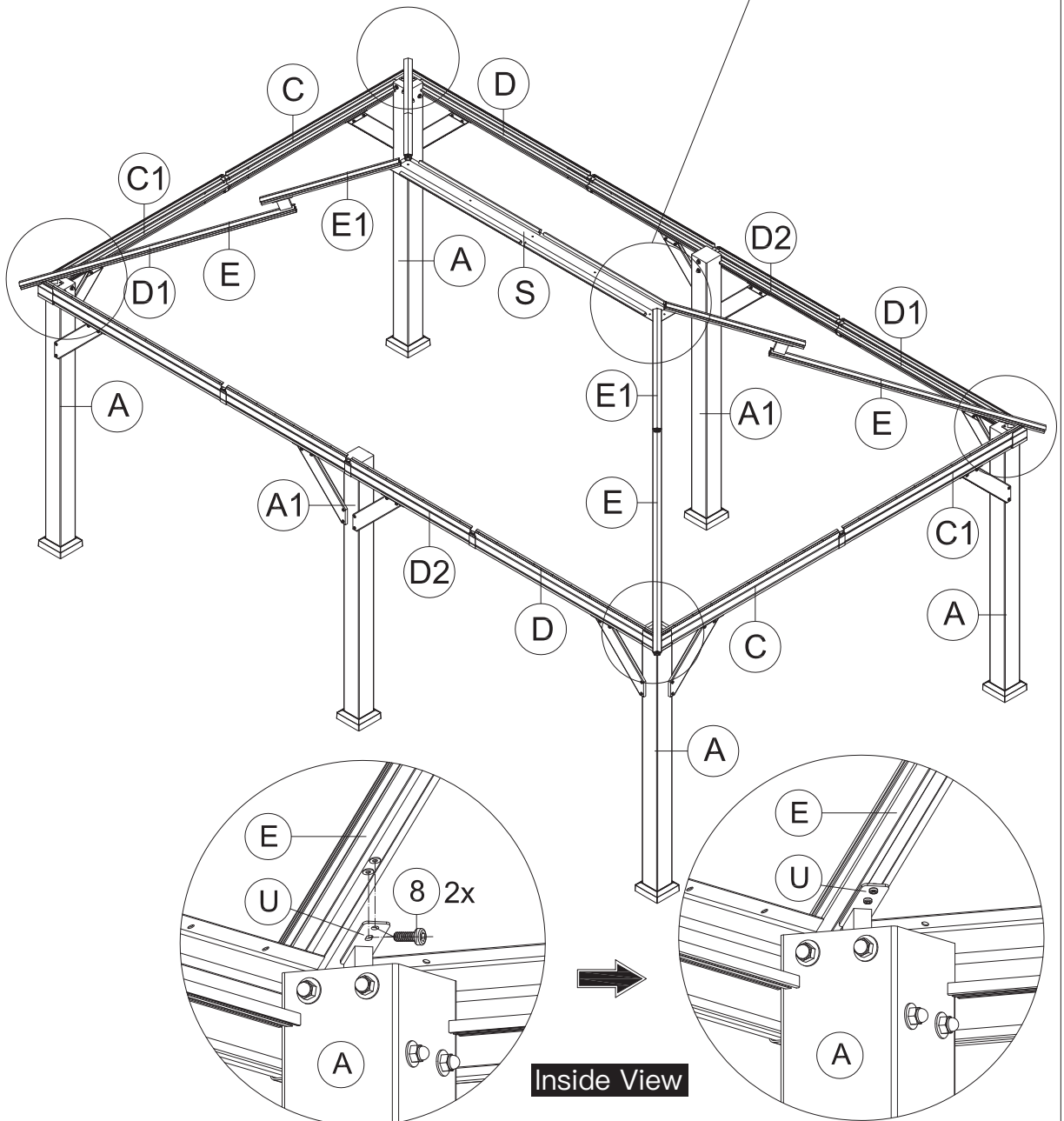
Please have a freestanding ladder ready at the center of the gazebo.

(1) Place 4 Part #E1 on the 4 corners of Part #S. Secure with 8 Bolts #8. (from bottom to top)

**ATTENTION:** You can also finish this step on the ground and then lift 4 corner roof bars and inside roof connector to the top together. (Need 2 people and 2 ladders)

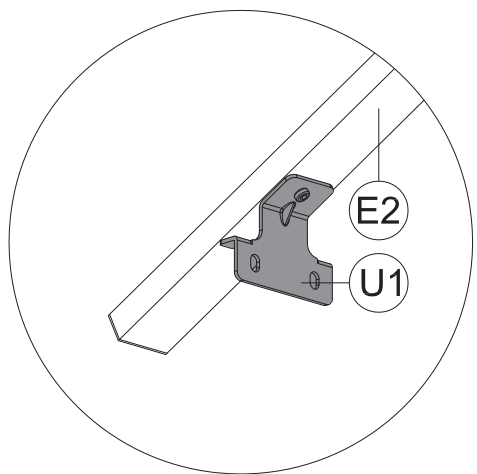
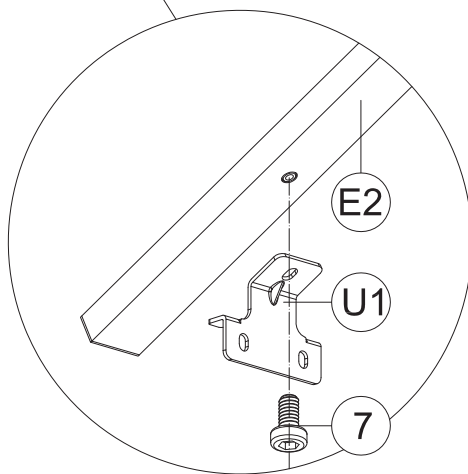
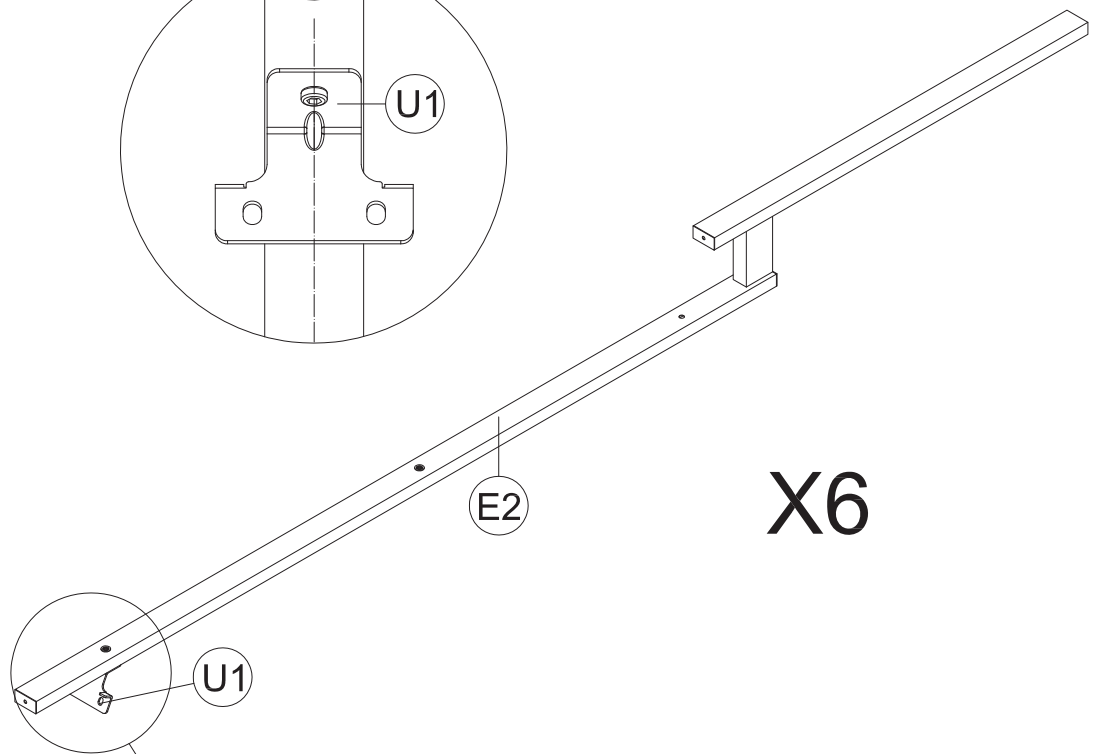
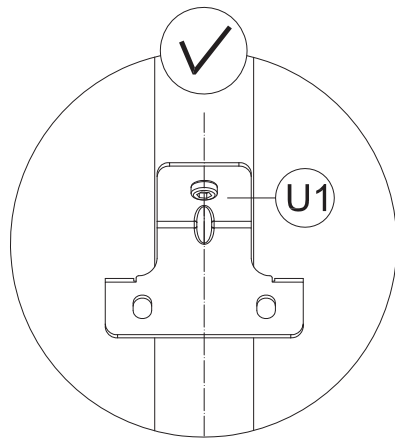
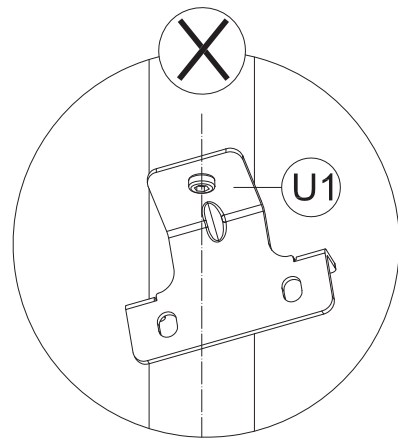
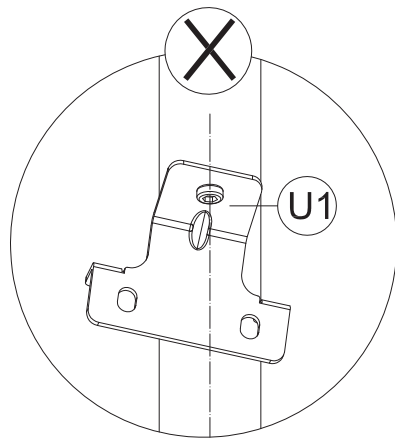
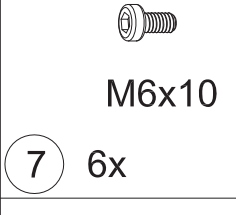
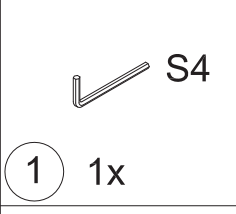
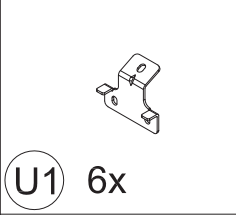
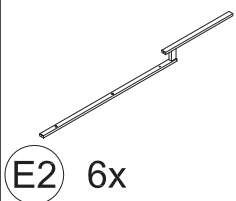


Outside View



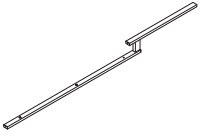
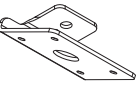


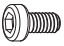

Inside View

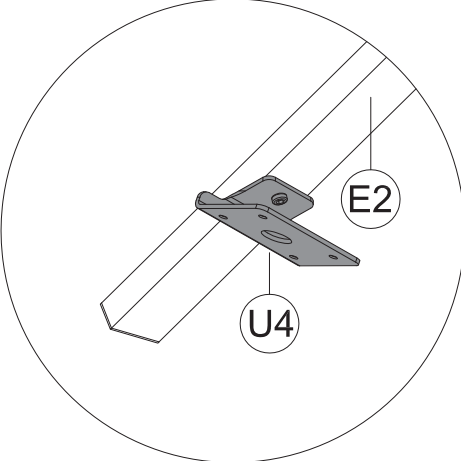
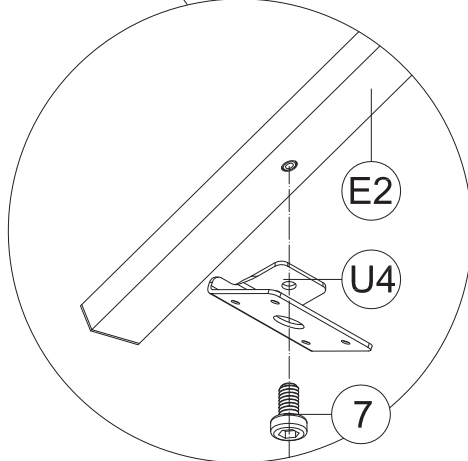
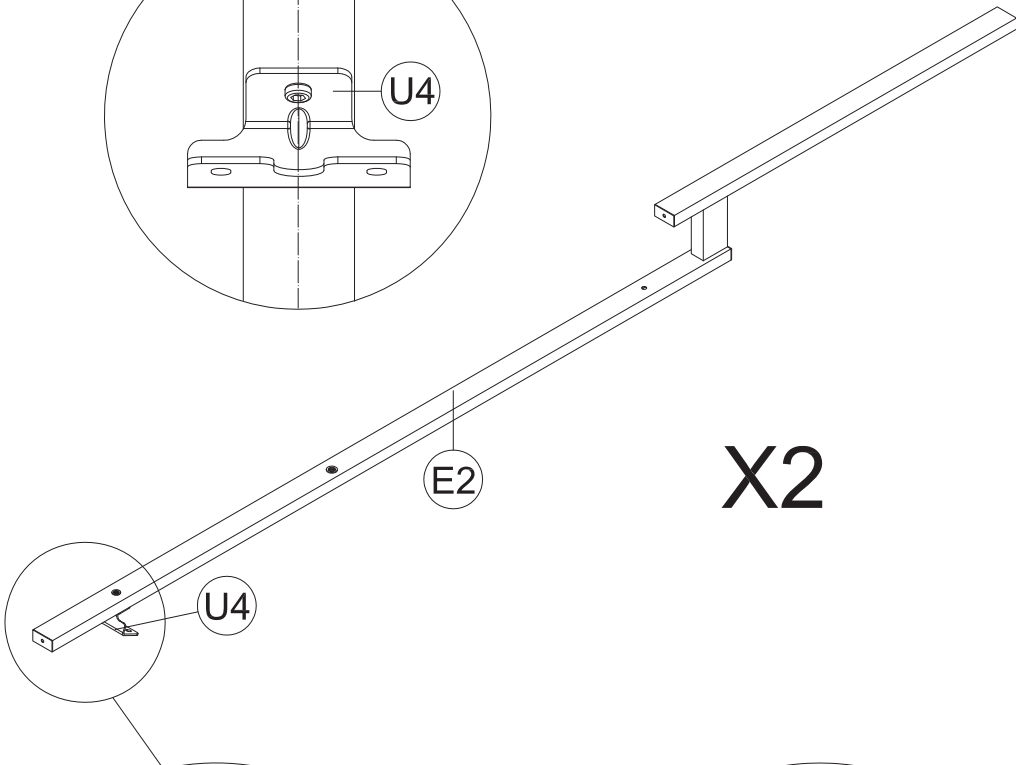
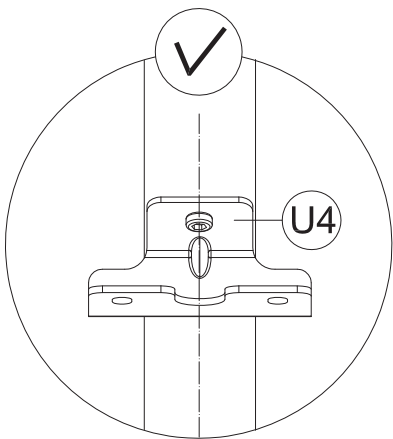
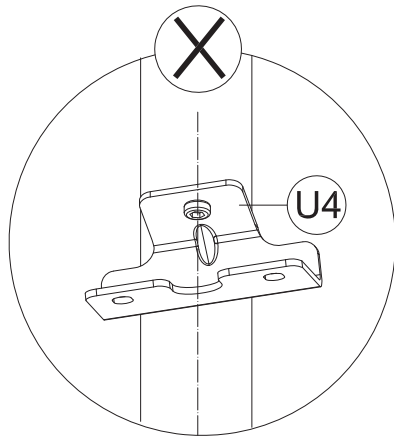
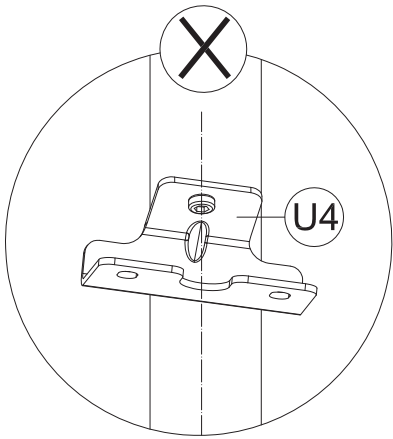
(2) Place 4 Part #E on 4 Part #A; secure with 4 Part U and 8 Bolts #8.



(1) Attach Part #U1 to Part #E2 with Bolt #7 .  
(2) Repeat the above procedures to assemble the other 5 roof bars.

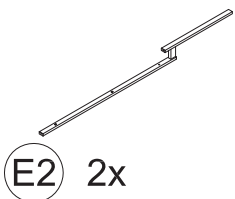


-  E2 2x
-  U4 2x
-  S4
-  1 1x
-  M6x10
-  7 2x



(1) Attach Part #U4 to Part #E2 with Bolt #7 .

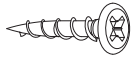
(2) Repeat the above procedures to assemble another roof bar.



E2 2x



1 1x



ST5x30

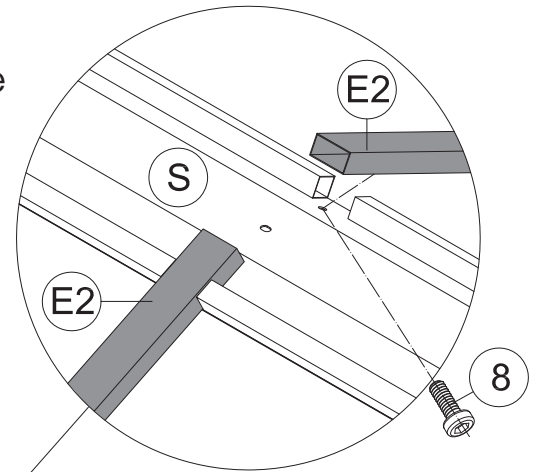
4 8x



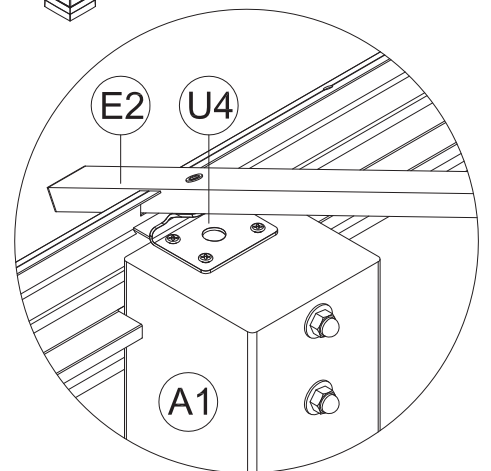
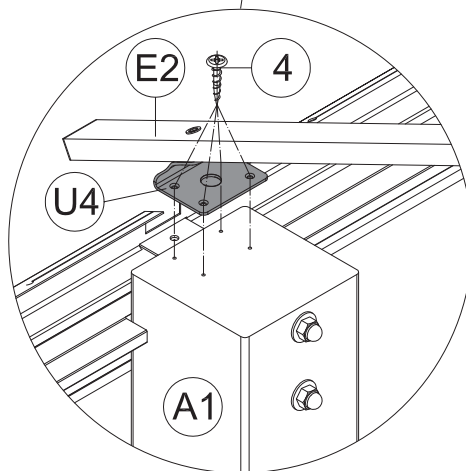
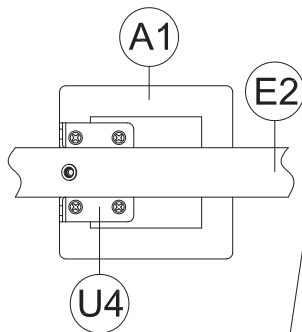
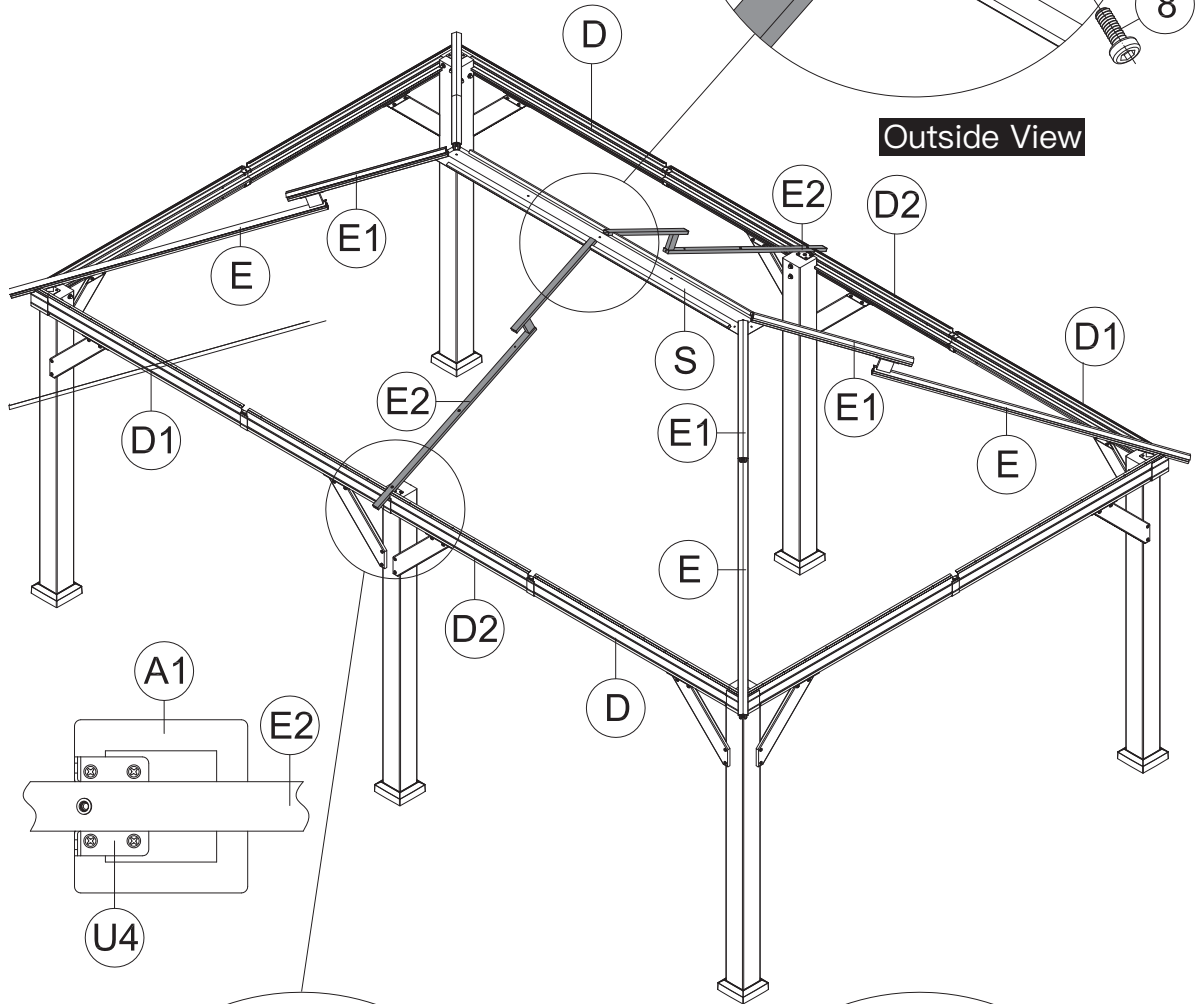
M6x16

8 2x

(1) Place Part #E2 on part #S. Secure with Bolt #8 (from bottom to top).

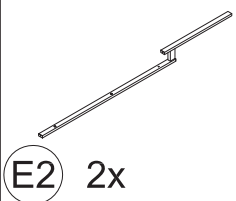


Outside View



(2) Connect Part #E2 and Part A1 with part #U4. Secure with 4 Bolts #4.

(3) Repeat the above procedures to assemble the opposite side.



E2 2x



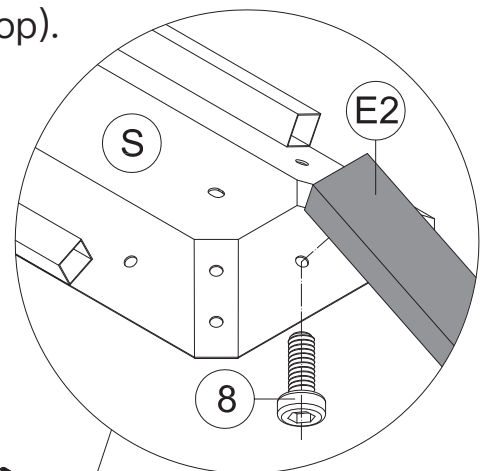
1 1x



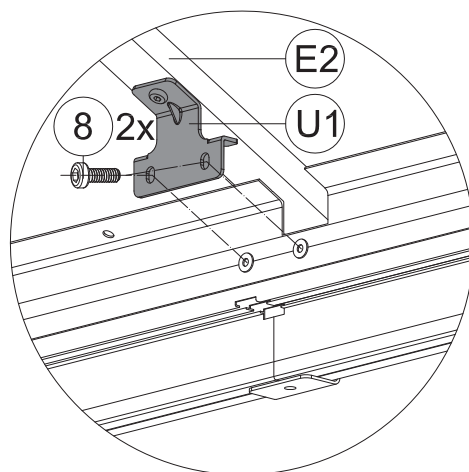
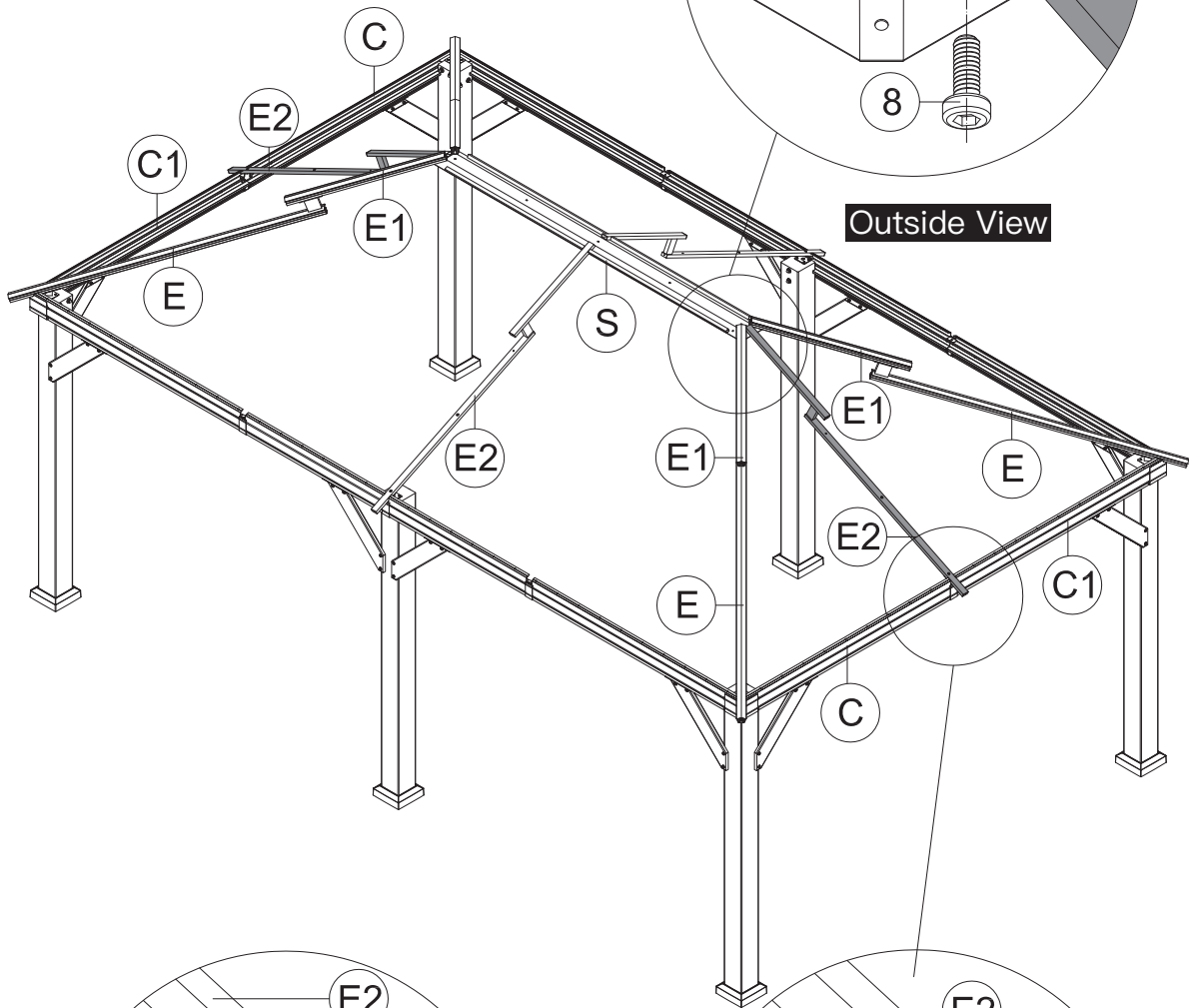
M6x16

8 6x

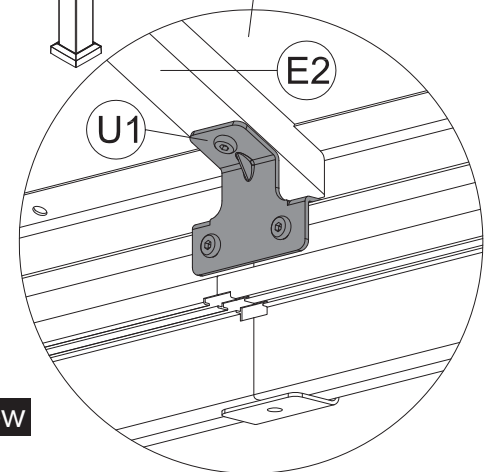
(1) Place Part #E2 on Part #S.  
Secure with Bolt #8 (from bottom to top).



Outside View

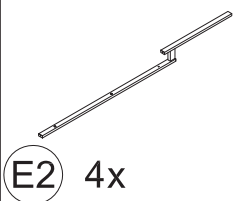


Inside View



(2) Connect Part #E2 and the Assembled Beam (C&C1) with  
part #U1. Secure with 2 Bolts #8.

(3) Repeat the above procedures to assemble the opposite side.



E2 4x



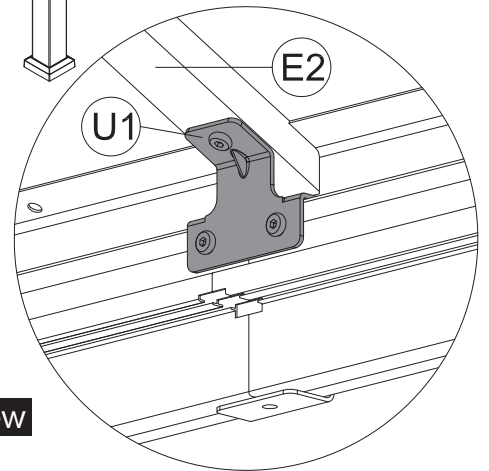
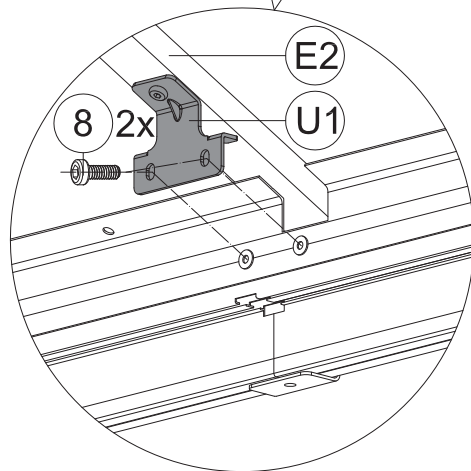
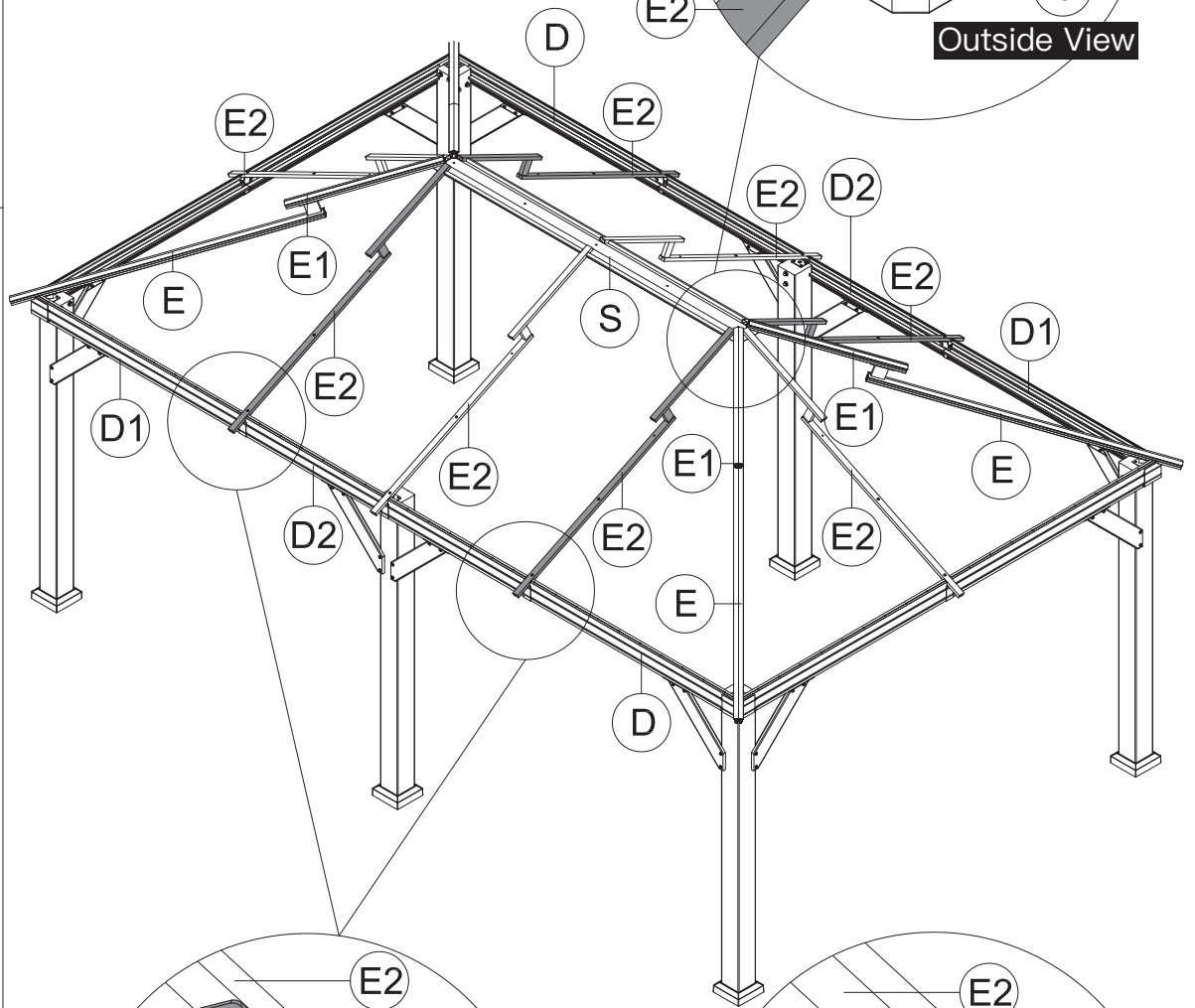
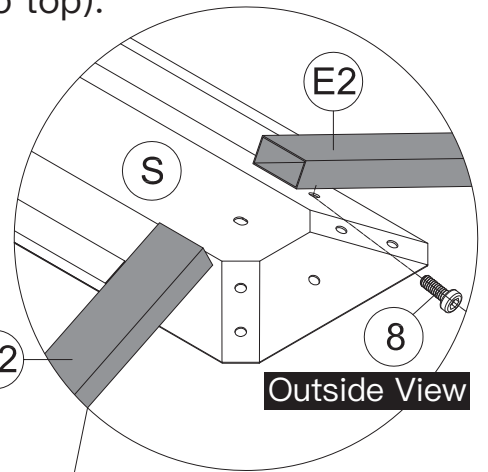
1 1x



M6x16

8 12x

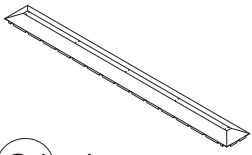
(1) Place Part #E2 on Part #S.  
Secure with Bolts #8 (from bottom to top).



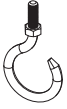
Inside View

(2) Connect Part #E2 and the Assembled Beam (D1&D2&D) with part #U1. Secure with 2 Bolts #8.

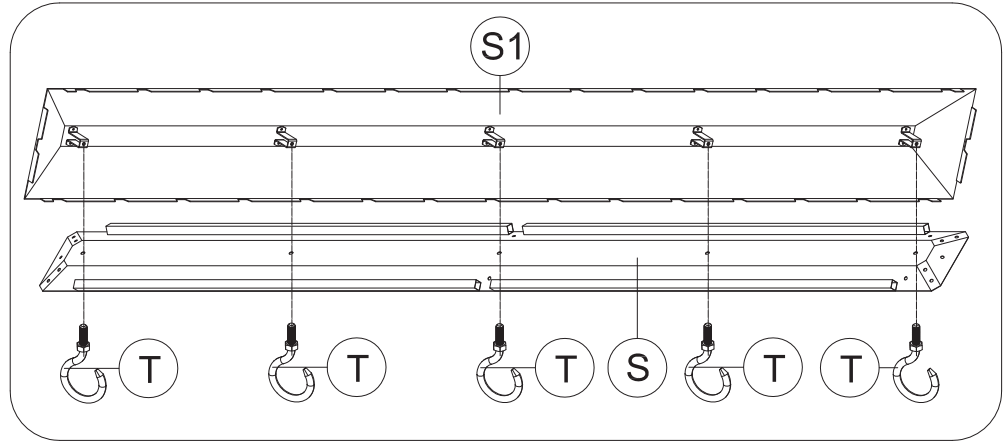
(3) Repeat the above procedures to assemble the opposite side.



S1 1x

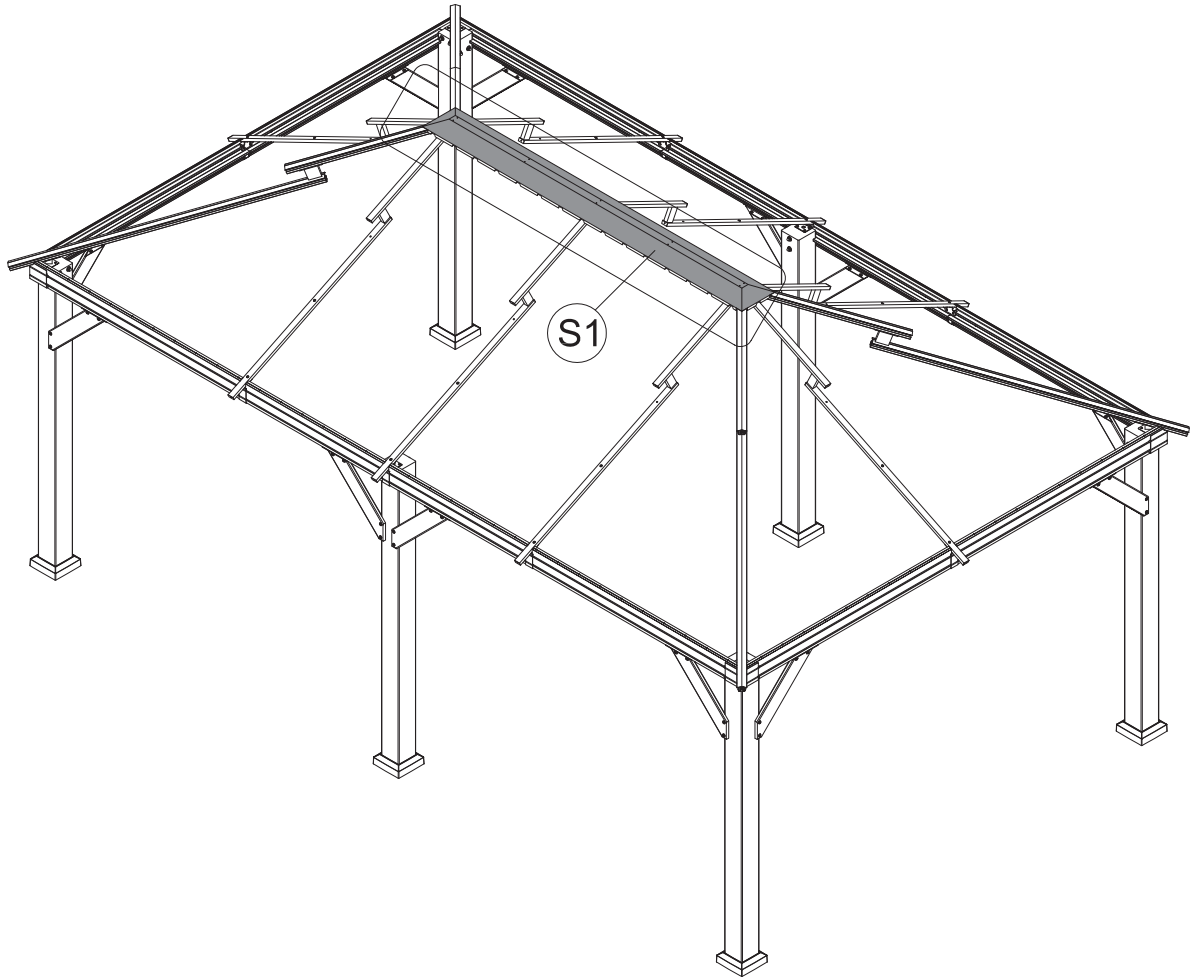


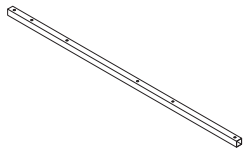
T 5x



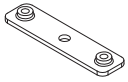
Secure 5 Part #T to Part #S and Part #S1. (From bottom to top)

**ATTENTION:** The holes of Part #S and Part #S1 need to be aligned, on the same vertical line.





G1 4x



U3 6x



1 1x



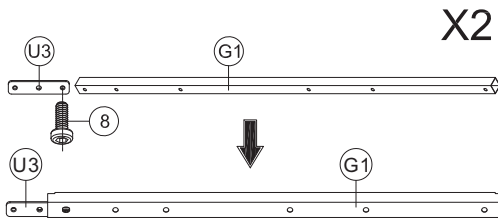
M6x10

7 6x

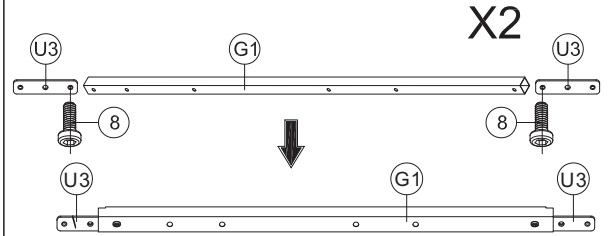


M6x16

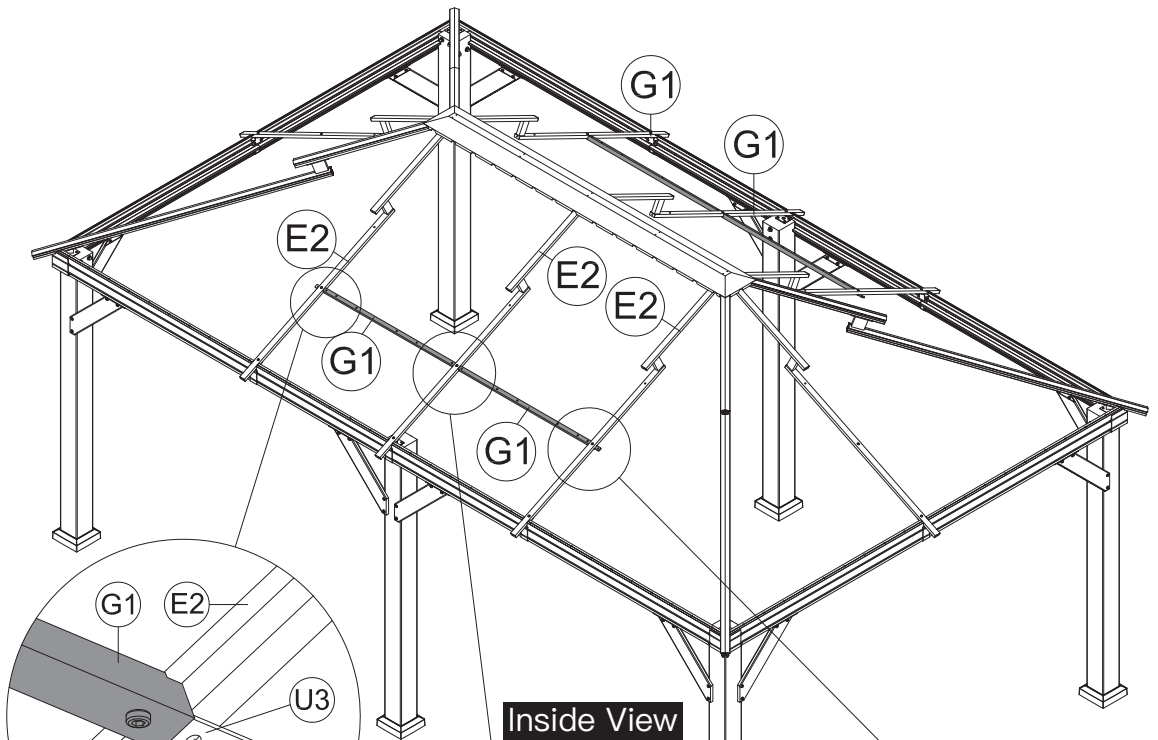
8 8x



(1) Insert Part #U3 into Part #G1 and secure with Bolt #8.



(2) Insert 2 Part #U3 into Part #G1 and secure with 2 Bolts #8.



(3) Attach Part #G1 and Part #U3 to Part #E2 with Bolt #7.

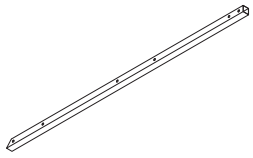
(4) Attach Part #G1 and Part #U3 to Part #E2 with Bolt #7 and Bolt #8.

(5) Attach Part #G1 and Part #U3 to Part #E2 with Bolt #7.



(6) Repeat the above procedures to assemble the opposite side.





G 4x

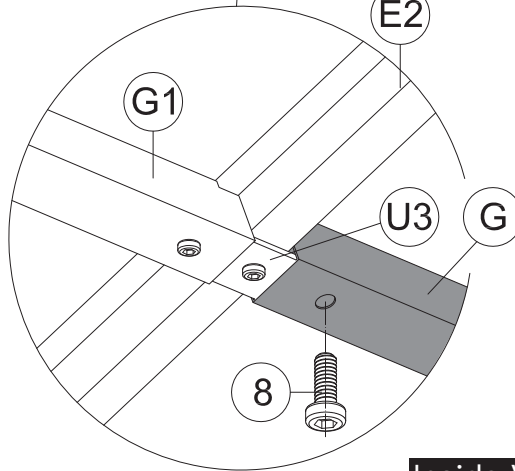
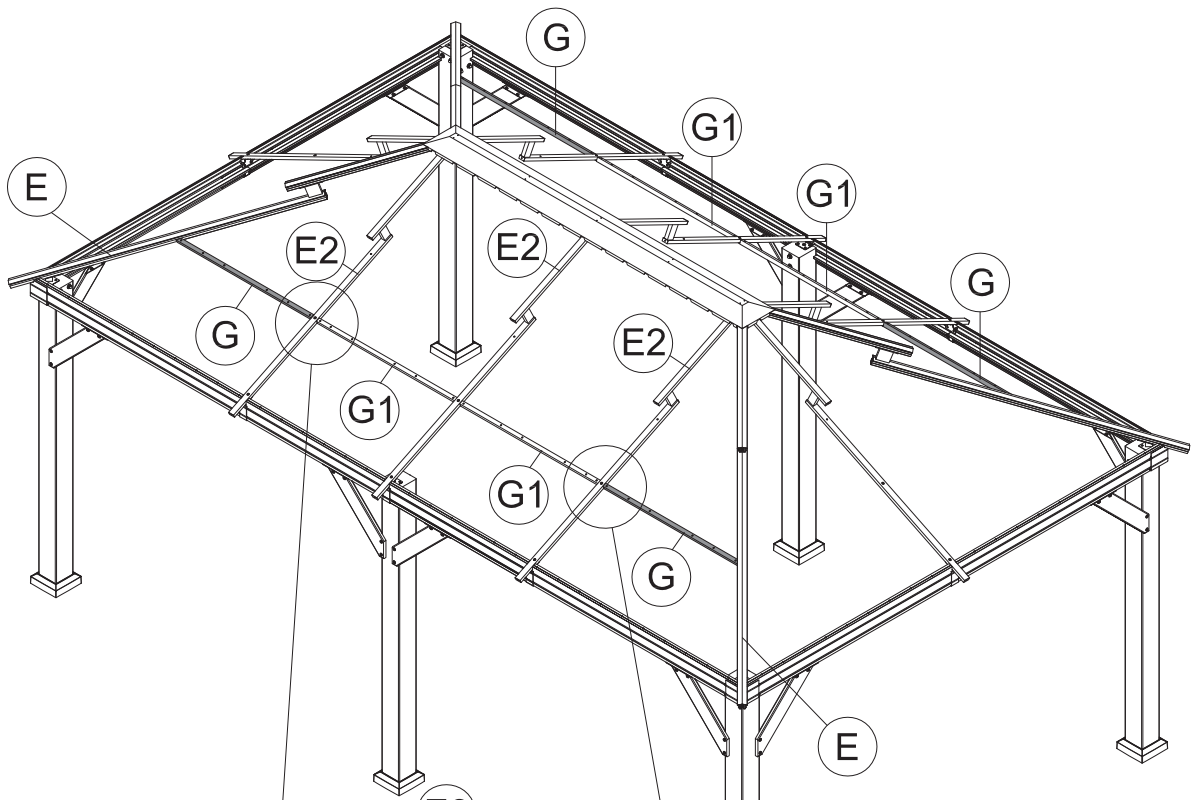


1 1x

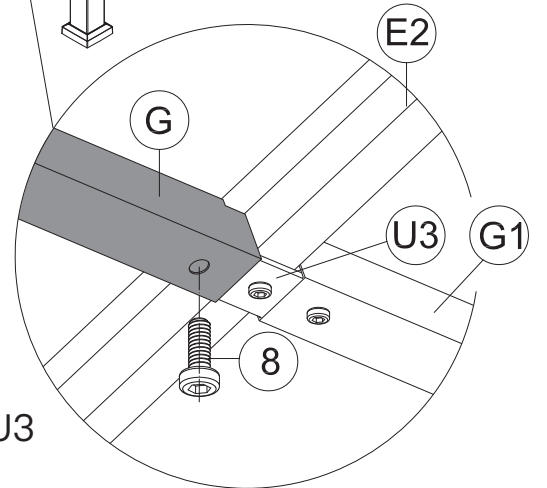


M6x16

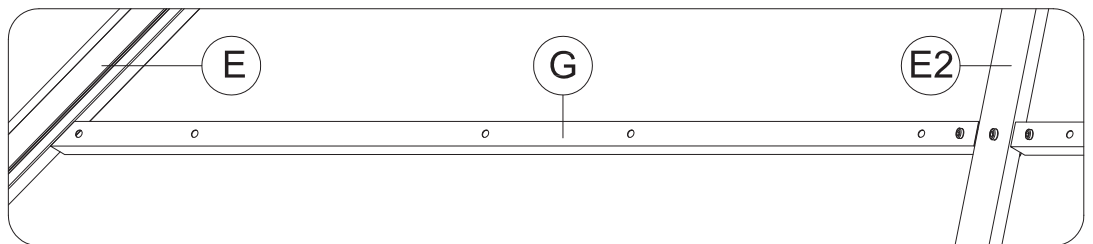
8 4x



Inside View

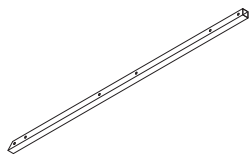


(1) Attach Part #G and Part #U3 to Part #E2 with Bolt #8

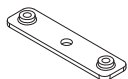


Outside View

(2) Repeat the above procedures to assemble the opposite side.



F 4x



U3 2x



1 1x



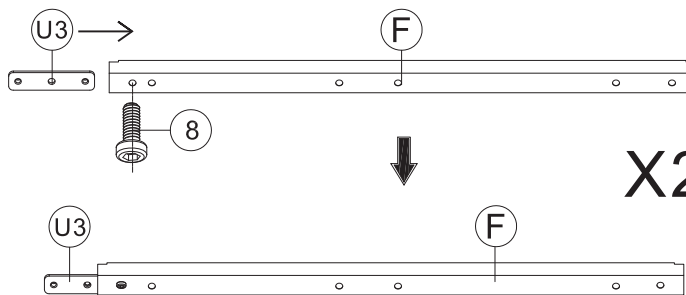
M6x10

7 2x

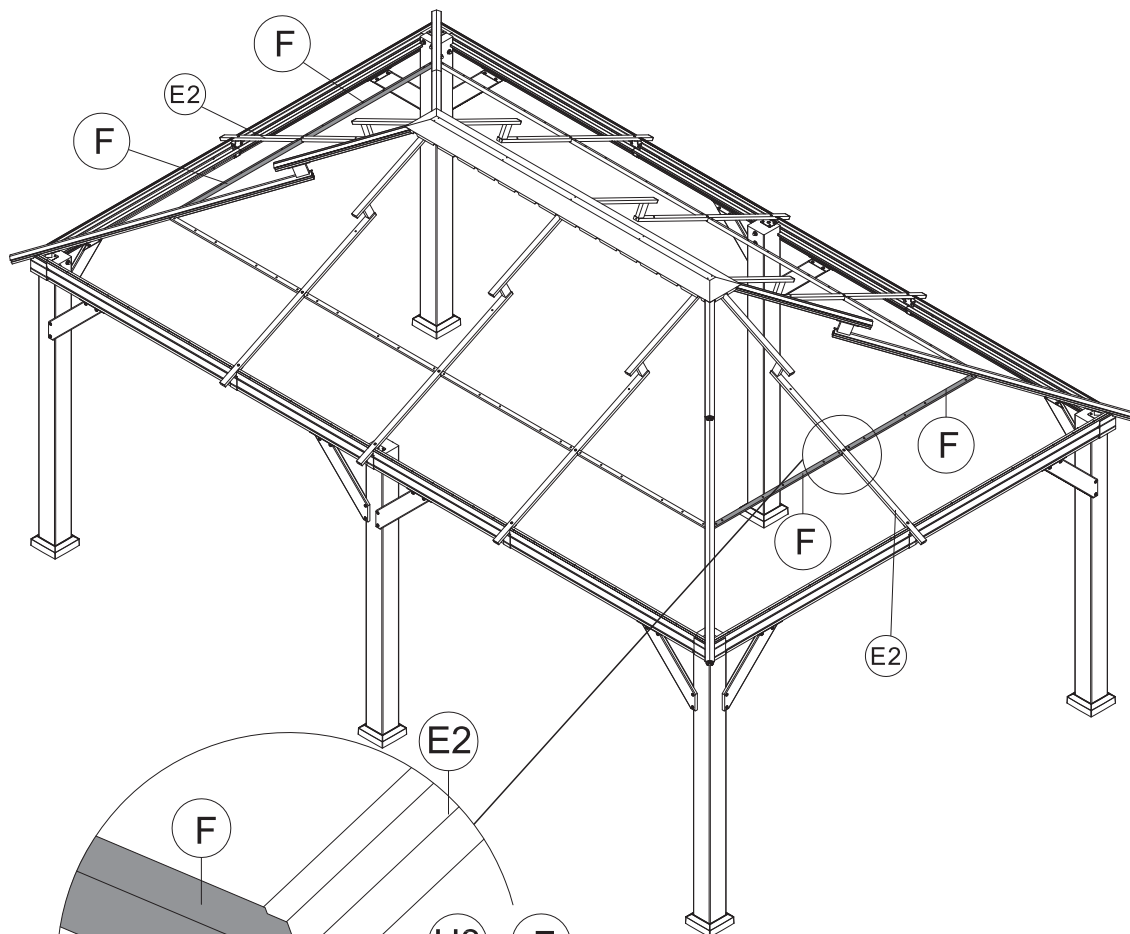


M6x16

8 4x

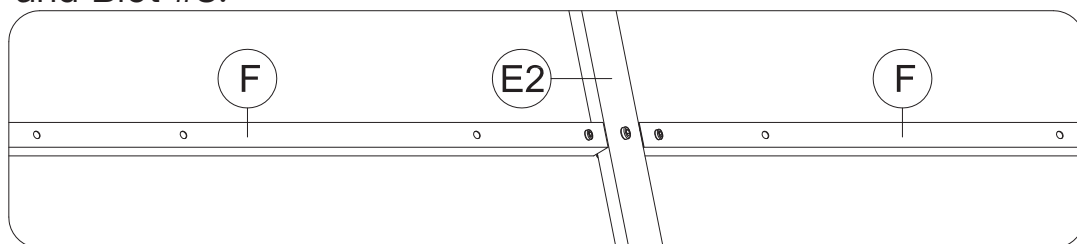


(1) Insert Part #U3 into Part #F and secure with Bolt #8.



Inside View

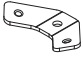




(2) Attach 2 Part #F and Part #U3 to Part #E2 with Bolt #7 and Bolt #8.

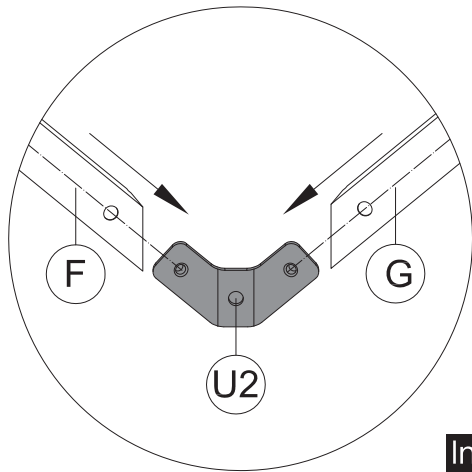
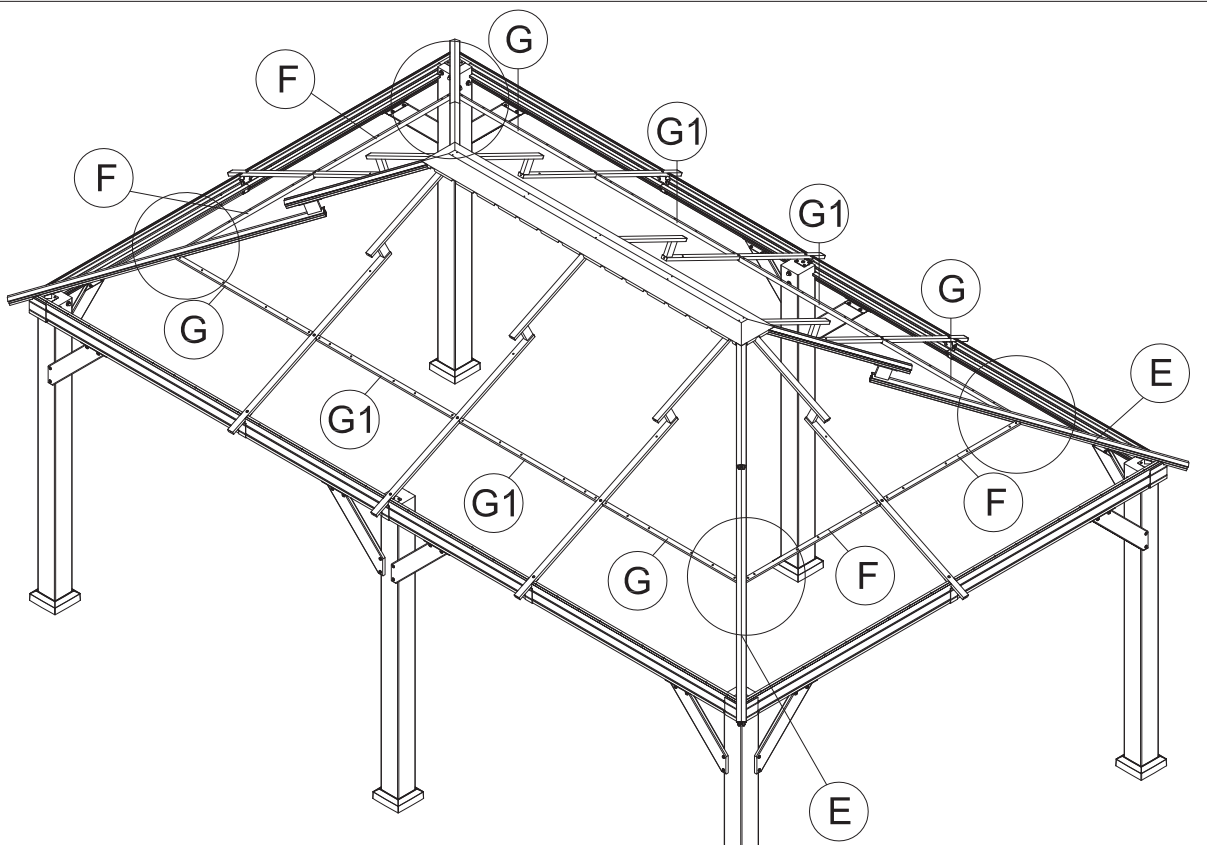


Outside View

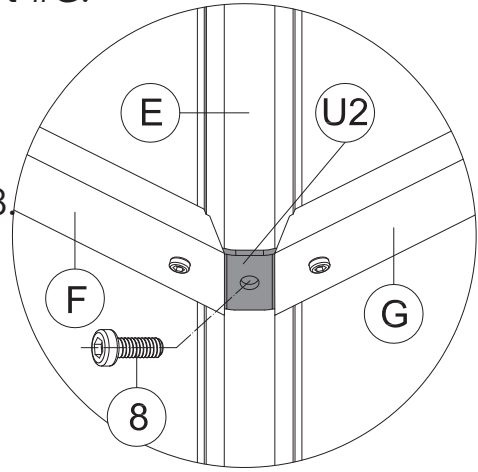
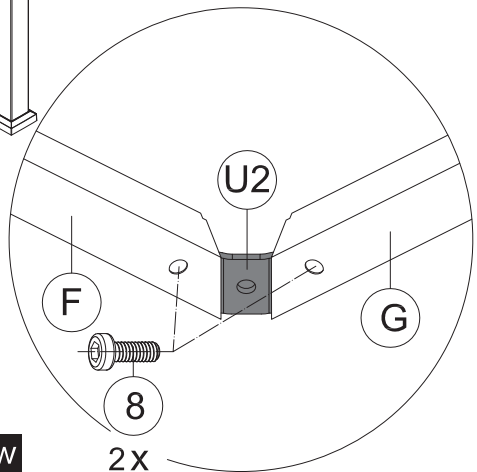
(3) Repeat the above procedures to assemble the opposite side.



-  U2 4x
-  S4
-  1 1x
-  M6x16
-  8 12x

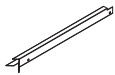
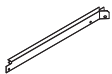
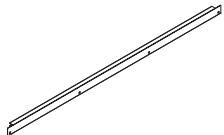
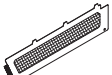
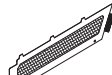
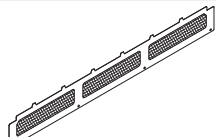



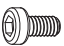


**Inside View**

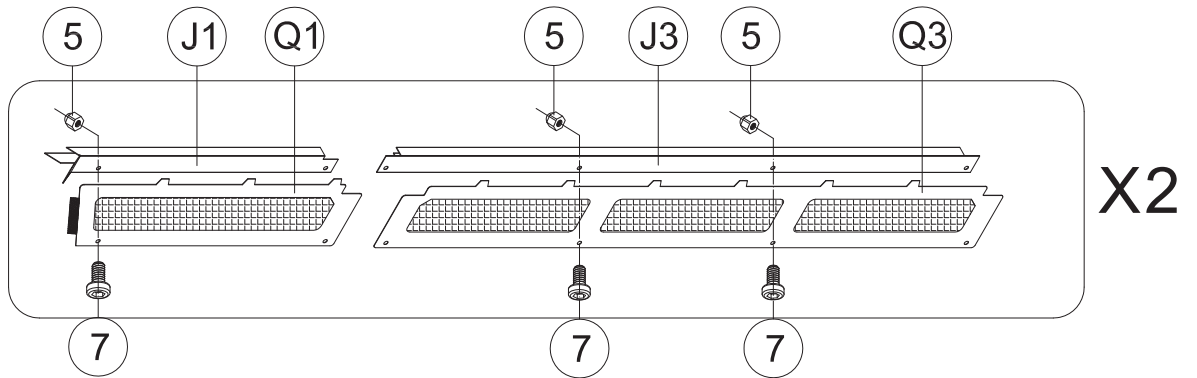


- (1) Insert Part #U2 into Part #F and Part #G.
- (2) Secure with 2 Bolts #8.
- (3) Secure them to Part #E with Bolt #8.

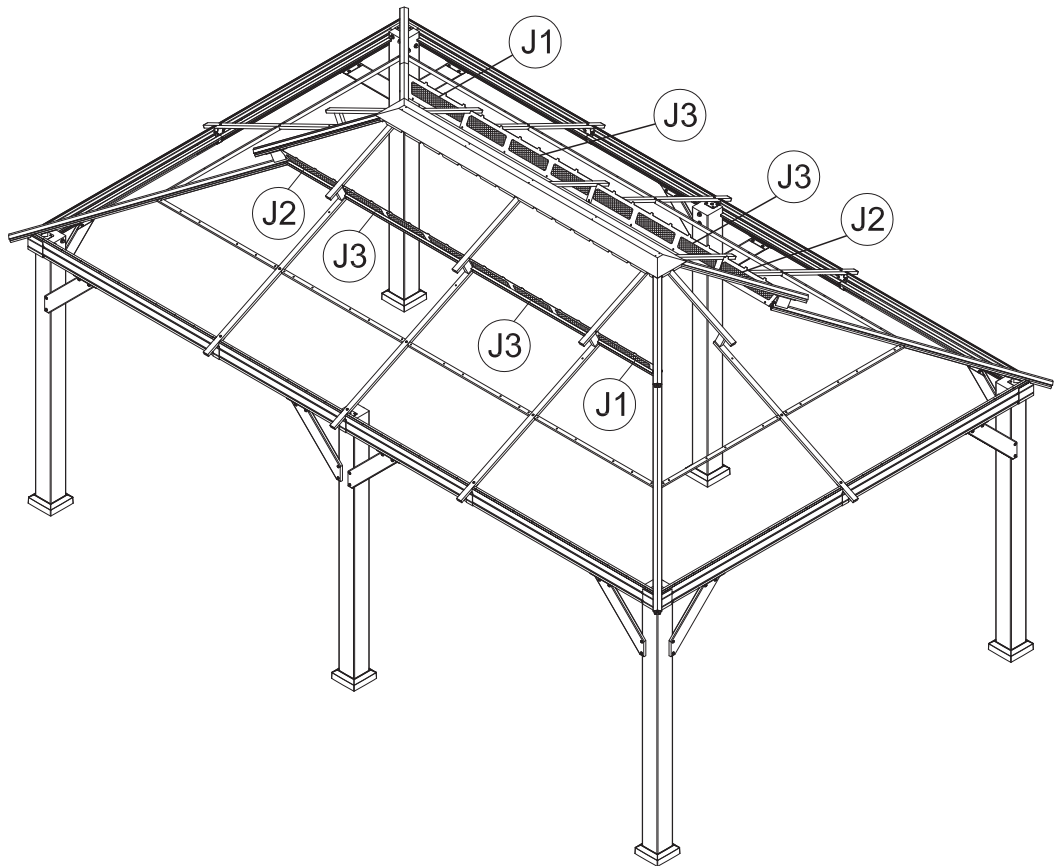
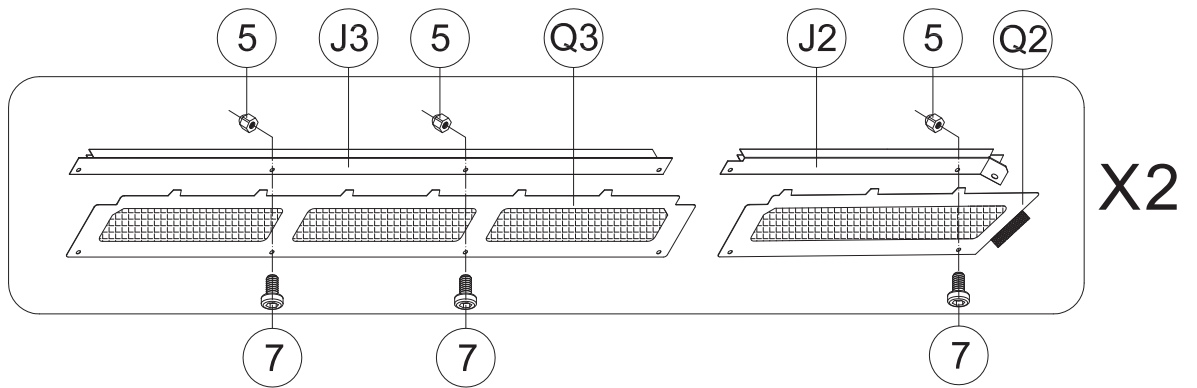
(4) Repeat the above procedures to assemble the other 3 sides.

	<b>J1</b> 2x
	<b>J2</b> 2x
	<b>J3</b> 4x
	<b>Q1</b> 2x
	<b>Q2</b> 2x
	<b>Q3</b> 4x
	<b>S4</b>
	<b>1</b> 1x
	<b>M6</b> <b>5</b> 12x
	<b>M6x10</b> <b>7</b> 12x
<b>31</b>	

- (1) Connect Part #J1 and Part #Q1 with 1 Bolt #7 and 1 Nut #5.  
 (2) Connect Part #J3 and Part #Q3 with 2 Bolts #7 and 2 Nuts #5.



- (3) Connect Part #J3 and Part #Q3 with 2 Bolts #7 and 2 Nuts #5.  
 (4) Connect Part #J2 and Part #Q2 with 1 Bolt #7 and 1 Nut #5.



- (5) Repeat the above procedures to assemble the opposite side.

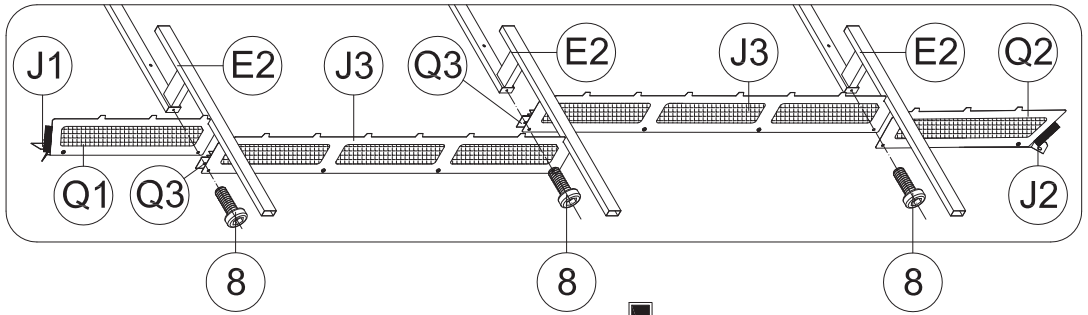


1 1x

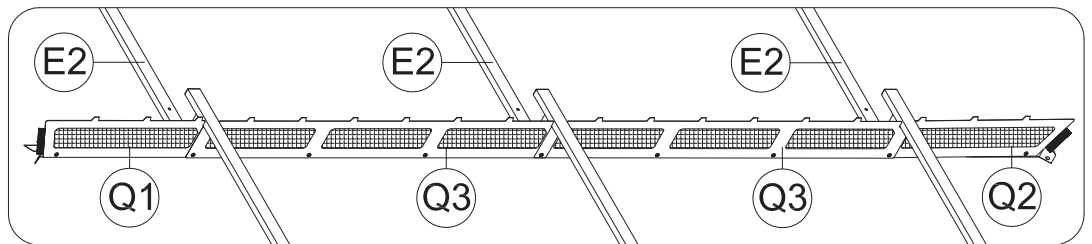


M6x16

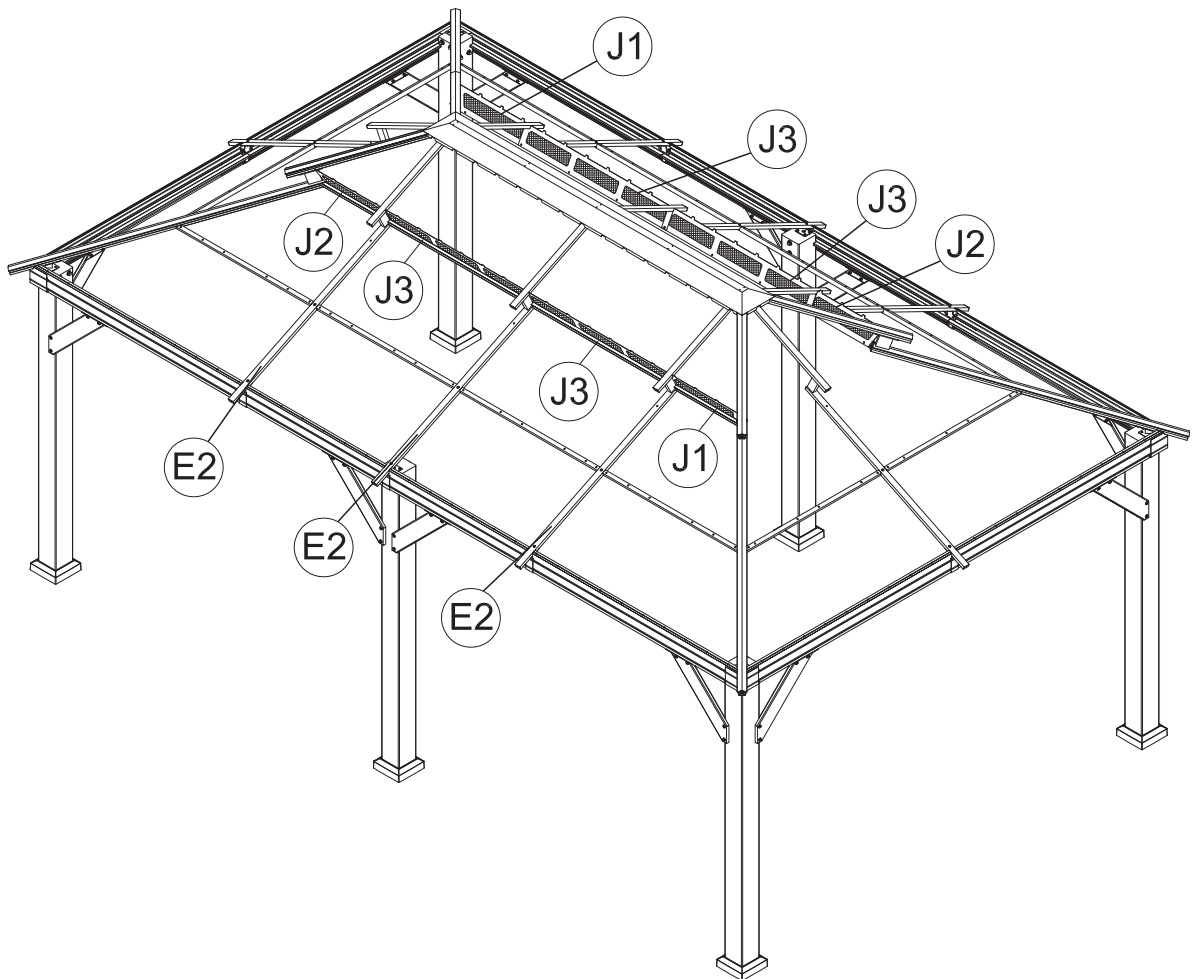
8 6x



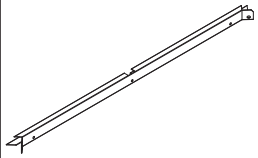
Inside View



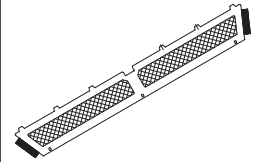
(1) Place the Assembled J1 & Q1, J2 & Q2 and J3 & Q3 on Part #E2, securing with 3 Bolts #8.



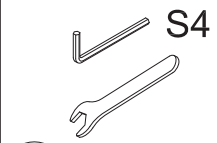
(2) Repeat the above procedures to assemble the opposite side.



J 2x



Q 2x



1 1x



5 4x

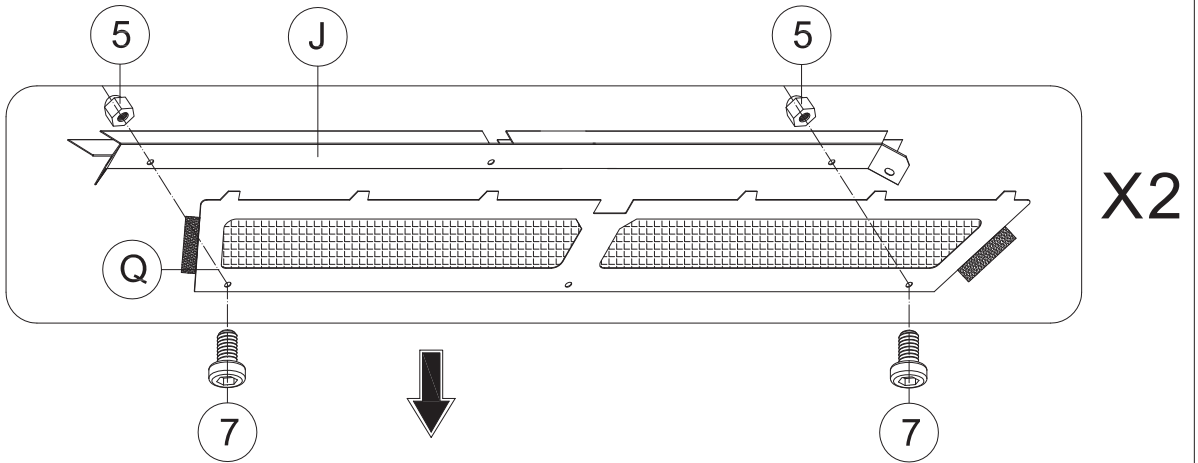


7 4x

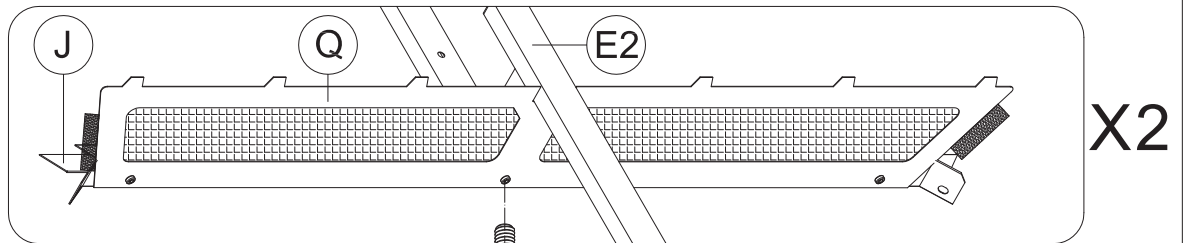


8 2x

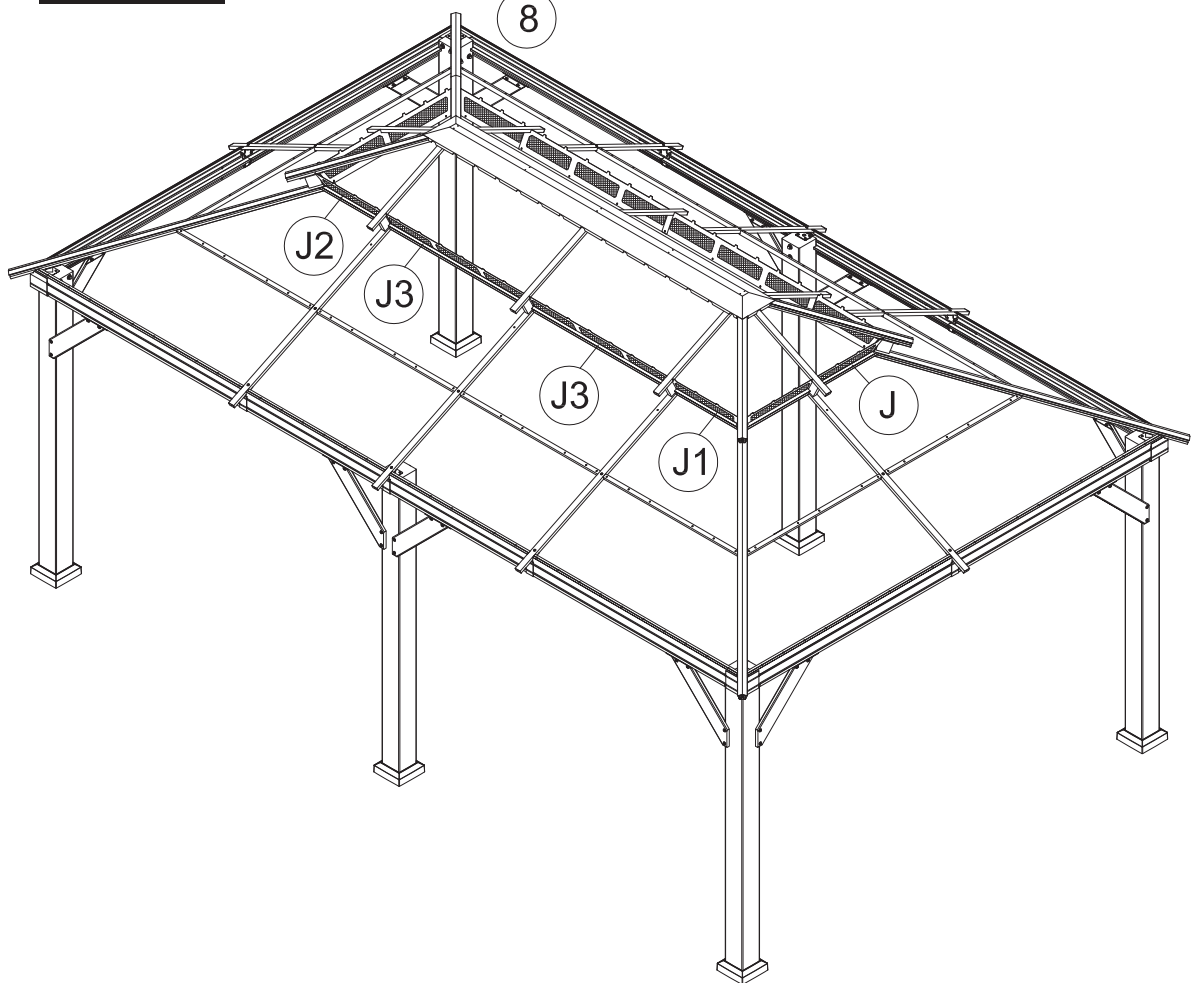
(1) Connect Part #J and Part #Q with 2 Bolts #7 and 2 Nuts #5.



(2) Place the Assembled Part #J & #Q on Part #E2, securing with 1 Bolt #8.



Inside View



(3) Repeat the above procedures to assemble the opposite side.



X3 4x



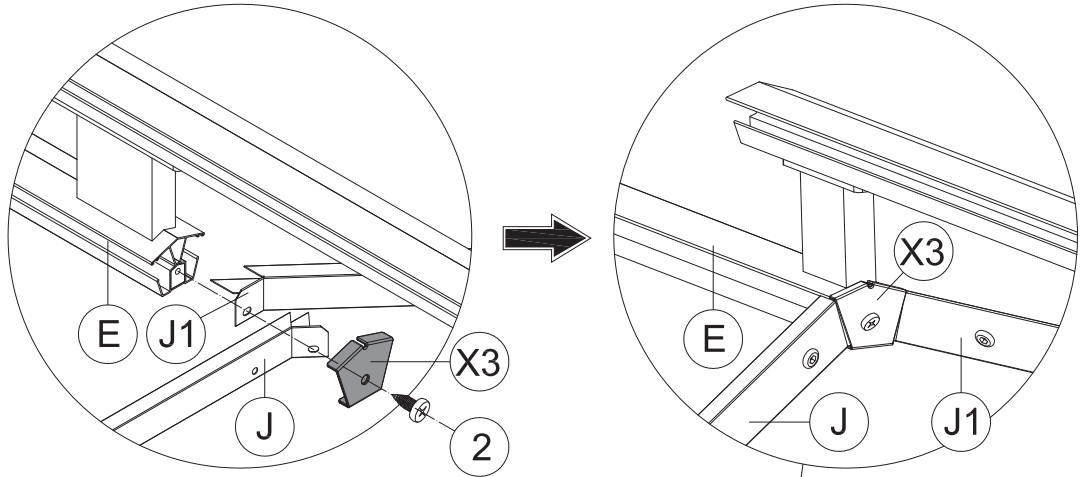
1 1x



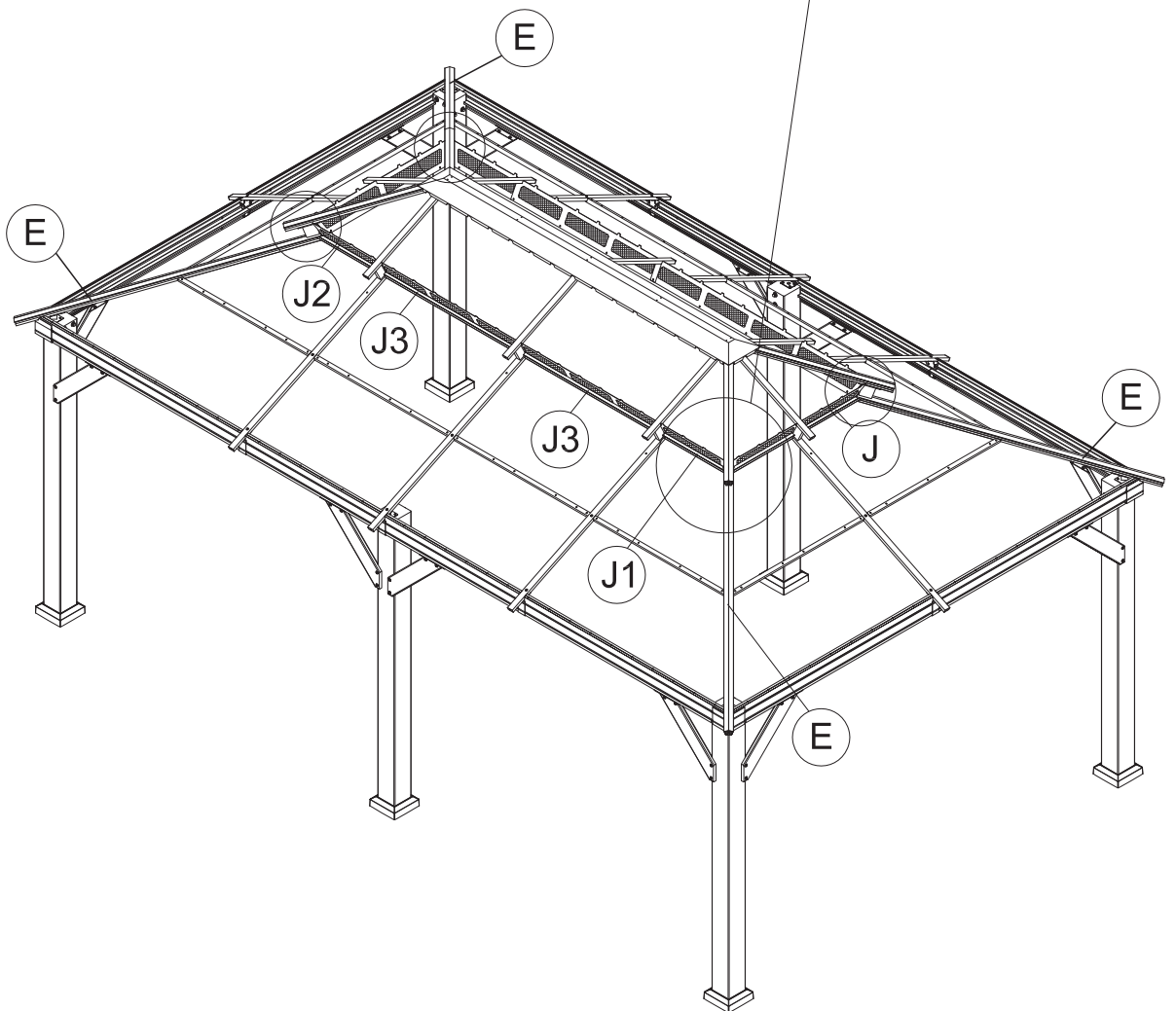
ST6.3x15

2 4x

(1) Place Part #J and Part #J1 on Part #E; put on Part #X3 and secure with Self-tapping Screw #2.



Inside View

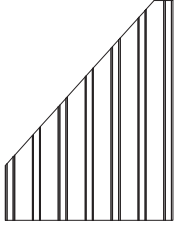


(2) Repeat the above procedures to assemble the other 3 corners.

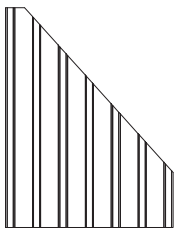
# Cover Part #Z, #Z1 & #Z2 to Roof Panels.



(L1) 2x



(L2) 2x



(L3) 2x



(L4) 2x



(Z) 8x



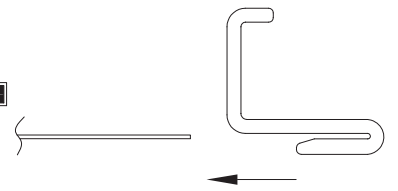
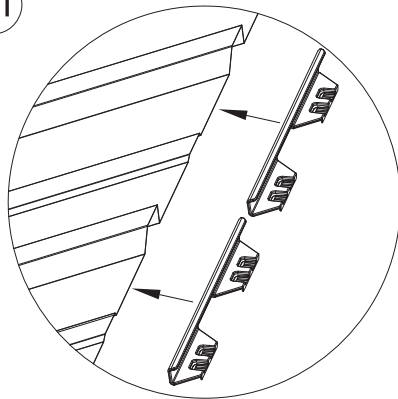
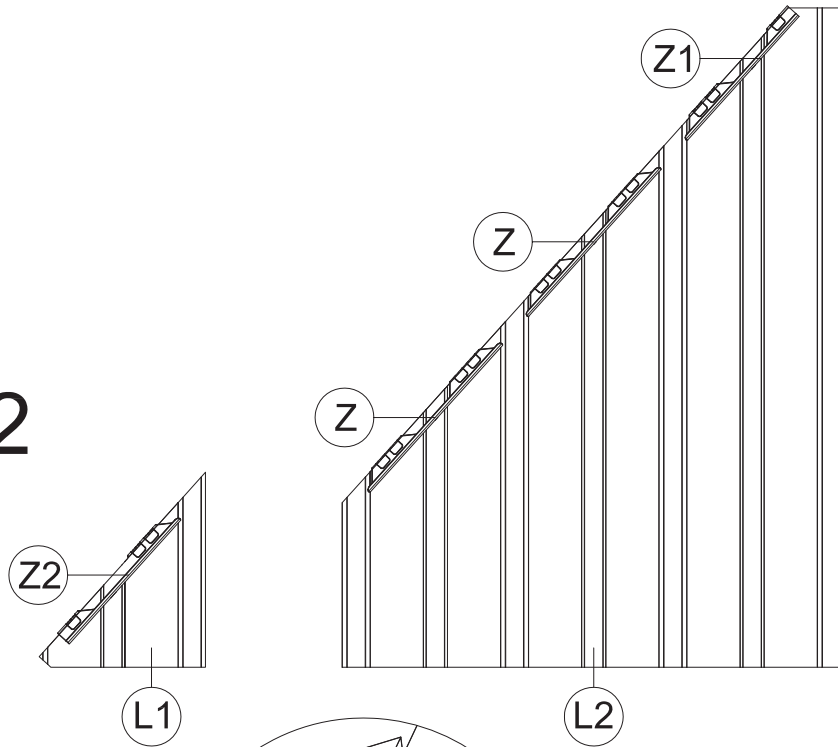
(Z1) 4x



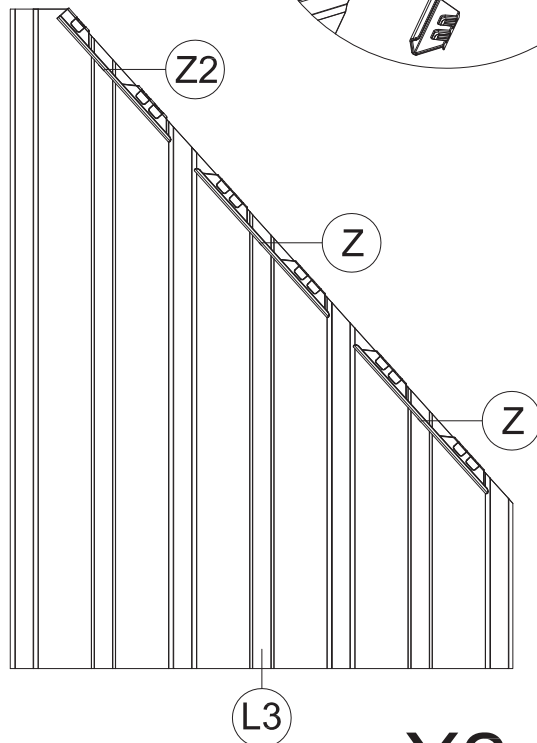
(Z2) 4x

35

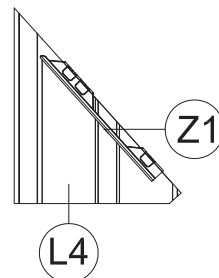
X2



Section View



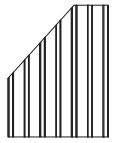
X2



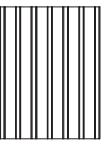
# Cover Part #Z, #Z3 & #Z4 to Roof Panels.



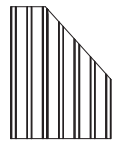
(N1) 2x



(N2) 2x



(N3) 8x



(N4) 2x



(N5) 2x



(Z) 12x

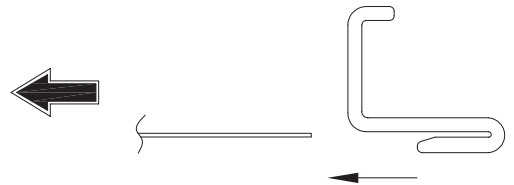
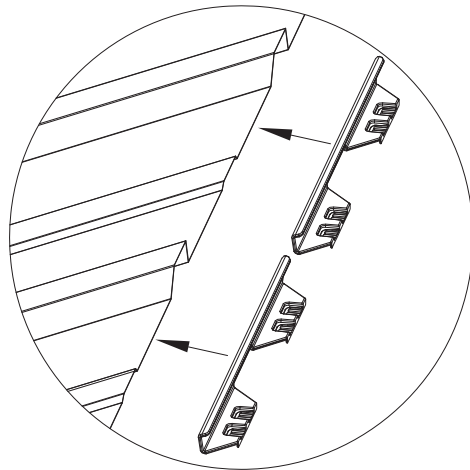
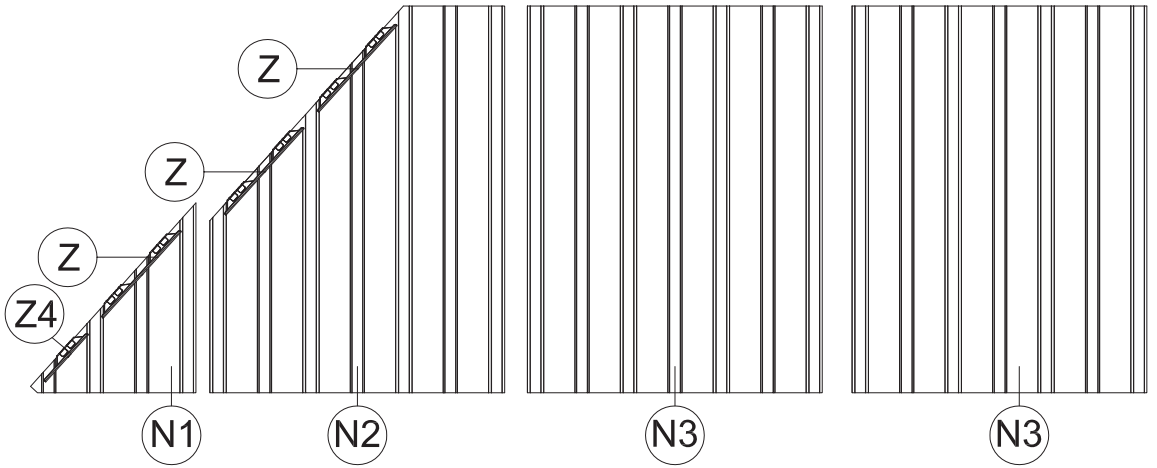


(Z3) 2x



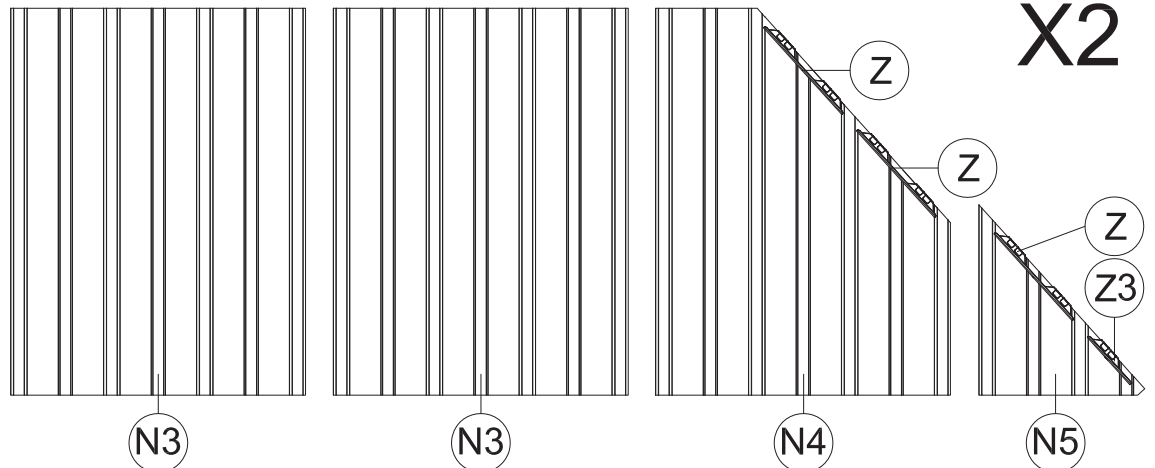
(Z4) 2x

X2



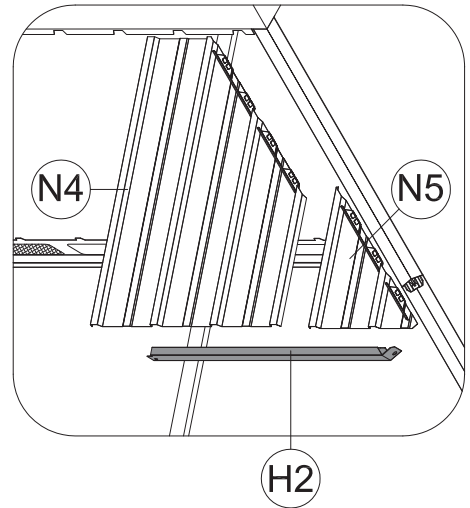
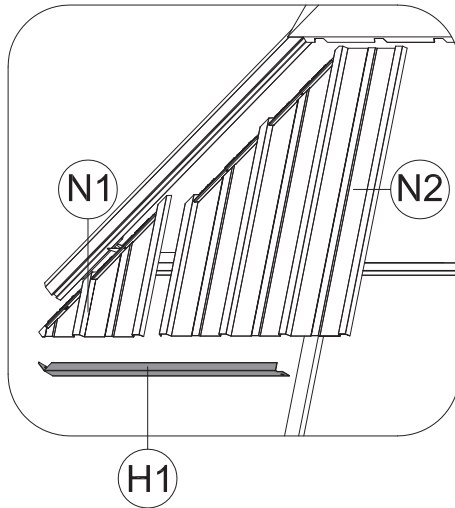
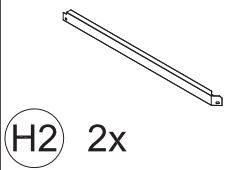
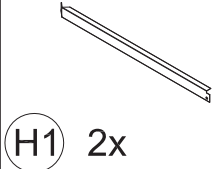
Section View

X2

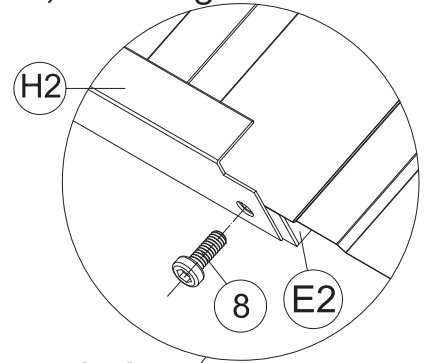
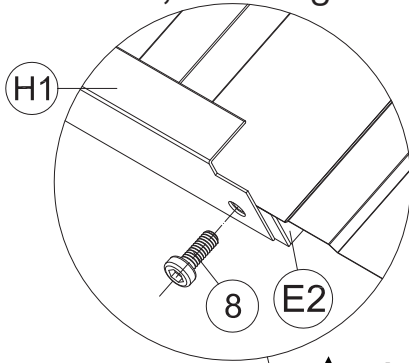




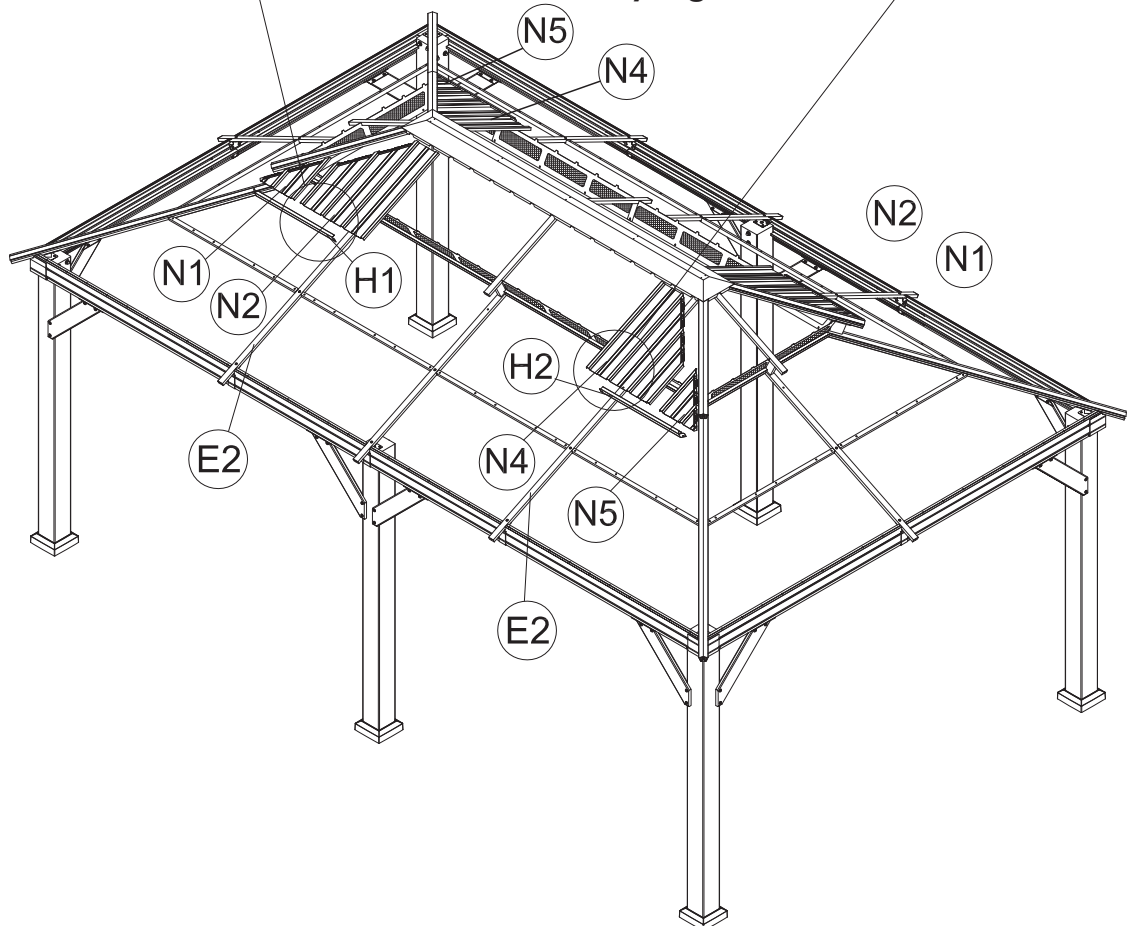
**ATTENTION: The bigger roof panel need to cover the smaller one.**



(1) Insert Part #N1 and Part #N2 into the frame; attach Part #H1 to Part #E2, securing with Bolt #8. (2) Insert Part #N5 and Part #N4 into the frame; attach Part #H2 to Part #E2, securing with Bolt #8.

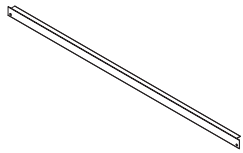


**▲ Please don't fully tighten bolts.**



(3) Repeat the above procedures to assemble the opposite side.





H3 4x



X2 6x



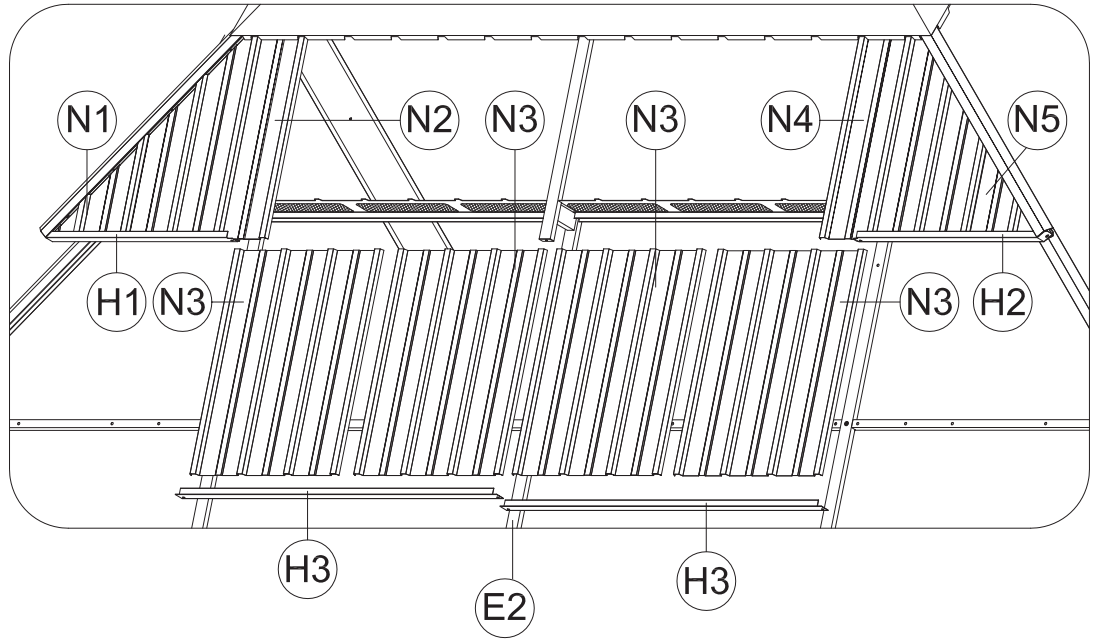
1 1x



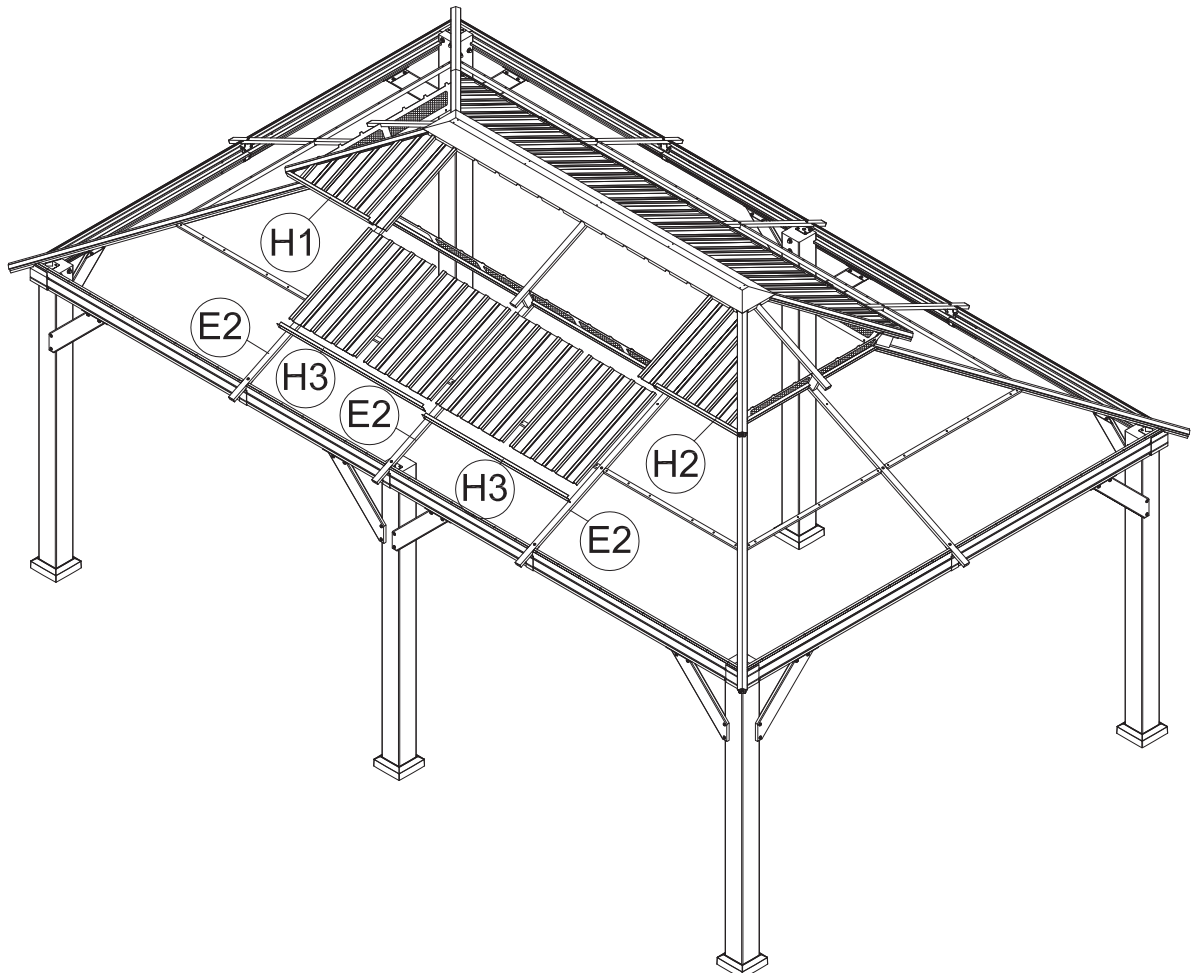
M6x16

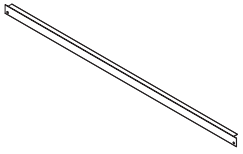
8 6x

(1) Insert 4 Part #N3 into the frame.



▲ When installing Part #H1/H2 & Part #H3, you should unscrew the bolt in last page which that have not been tightened.





H3 4x



X2 6x

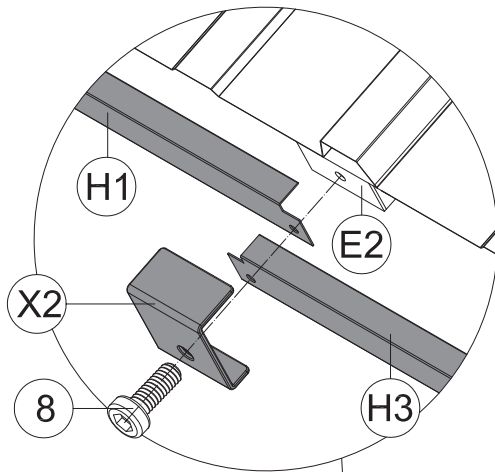


1 1x

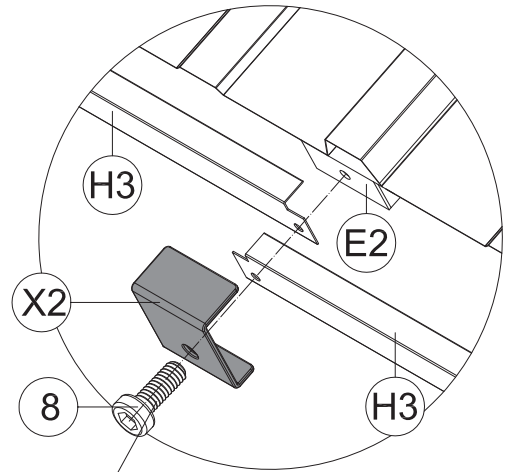


M6x16

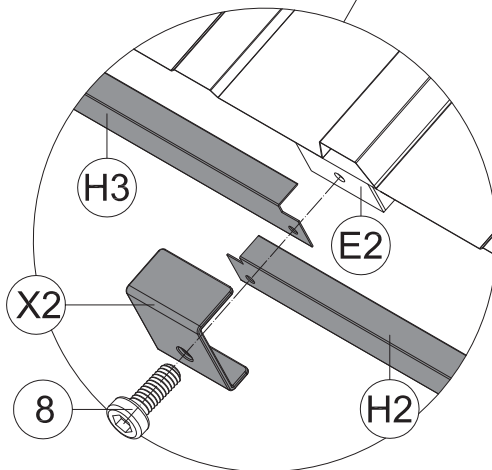
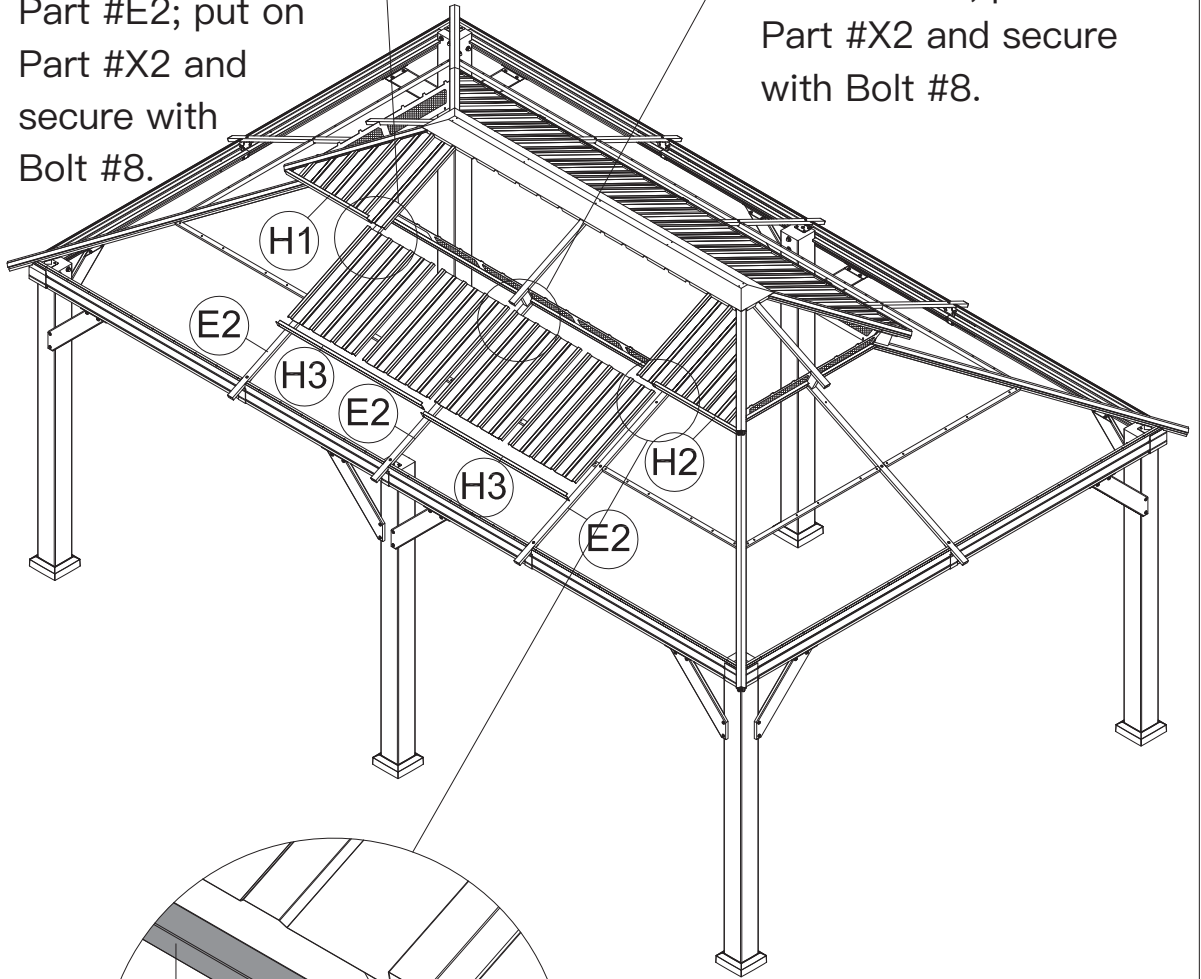
8 6x



(1) Place Part #H1 and Part #H3 on Part #E2; put on Part #X2 and secure with Bolt #8.



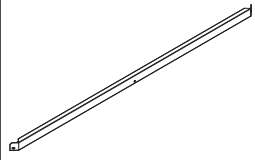
(2) Place 2 Part #H3 on Part #E2; put on Part #X2 and secure with Bolt #8.



(3) Place Part #H3 and Part #H2 on Part #E2; put on Part #X2 and secure with Bolt #8.

(4) Repeat the above procedures to assemble the opposite side.

**ATTENTION: The bigger roof panel need to cover the smaller one.**



**H** 2x

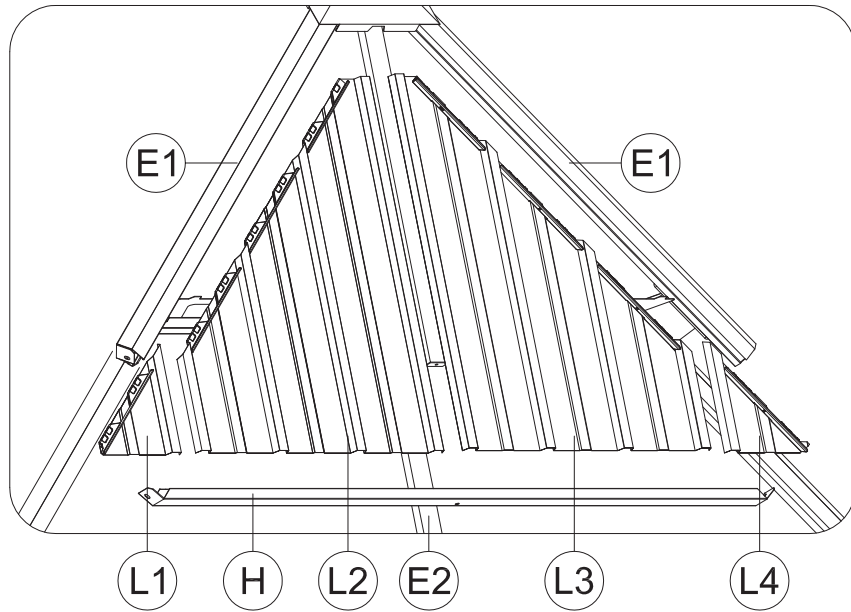


**1** 1x



M6x16

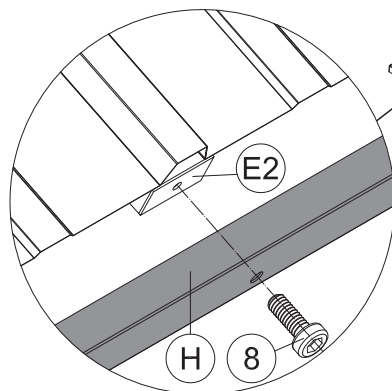
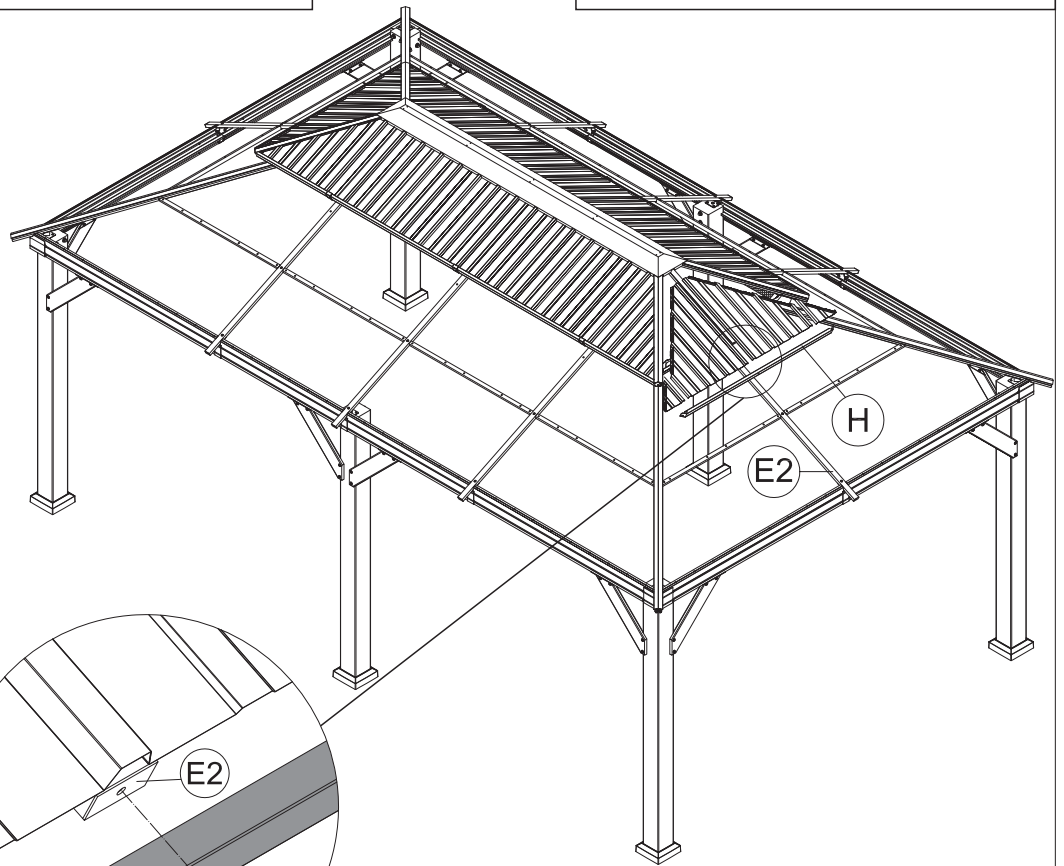
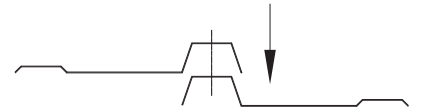
**8** 2x



(1) Insert Part #L1 and Part #L2 into the frame.



(2) Insert Part #L4 and Part #L3 into the frame.



(3) Attach part #H to part #E2, securing with Bolt #8.

(4) Repeat the above procedures to assemble the opposite side.



X3 4x



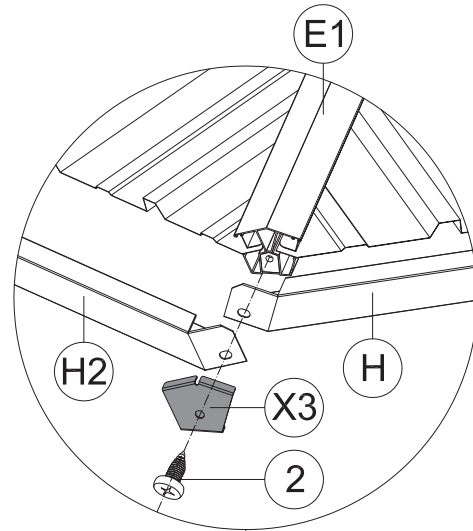
1 1x



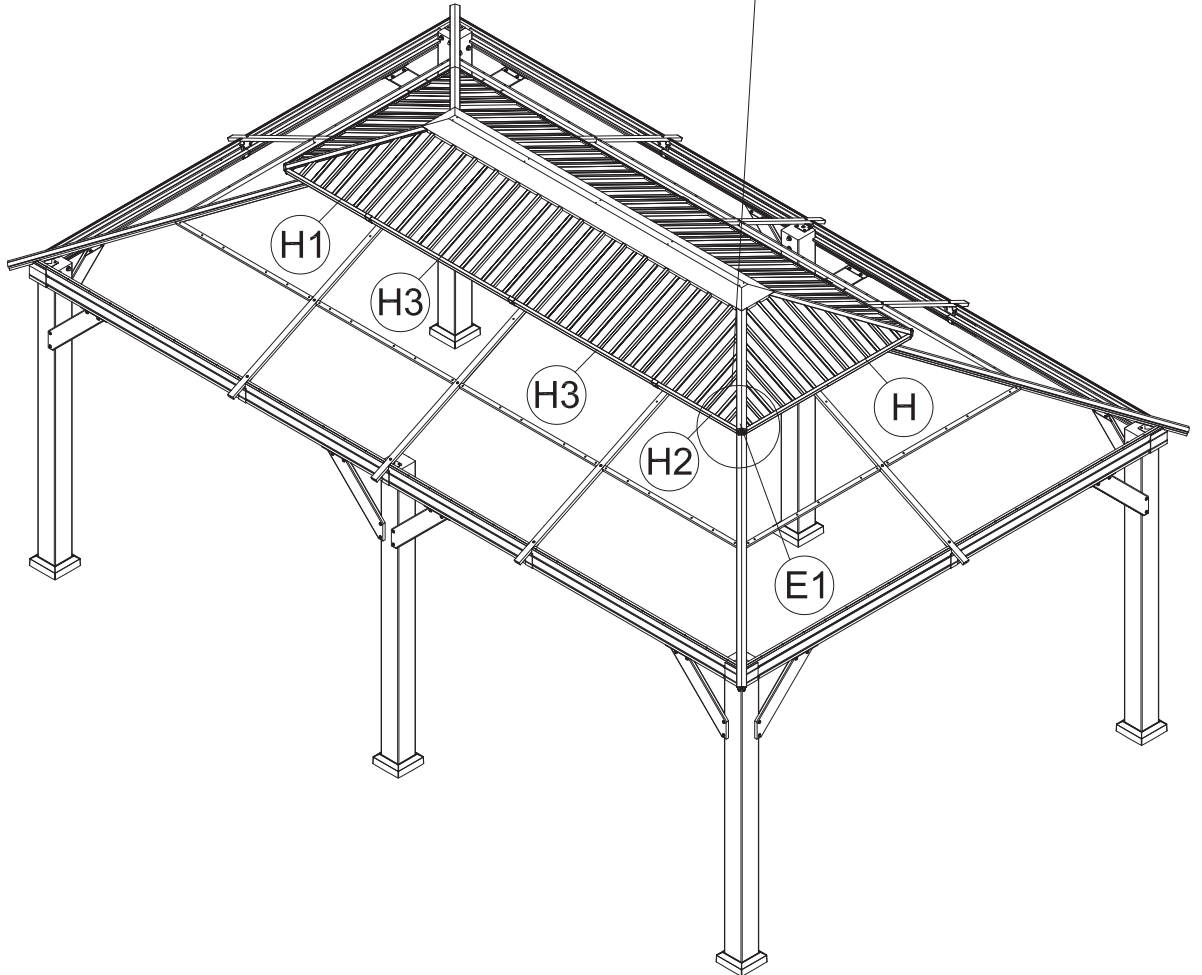
ST6.3x15

2 4x

(1) Place Part #H and Part #H2 on Part #E1;  
put on Part #X3 and secure with Self-tapping Screw #2.


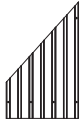
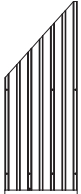
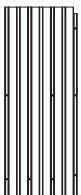
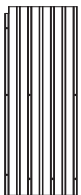
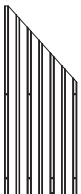
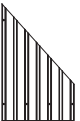




Outside View



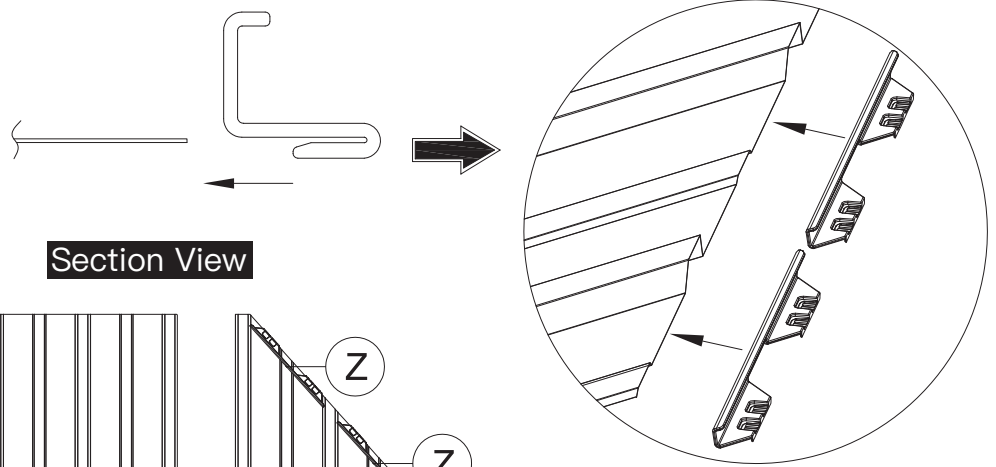
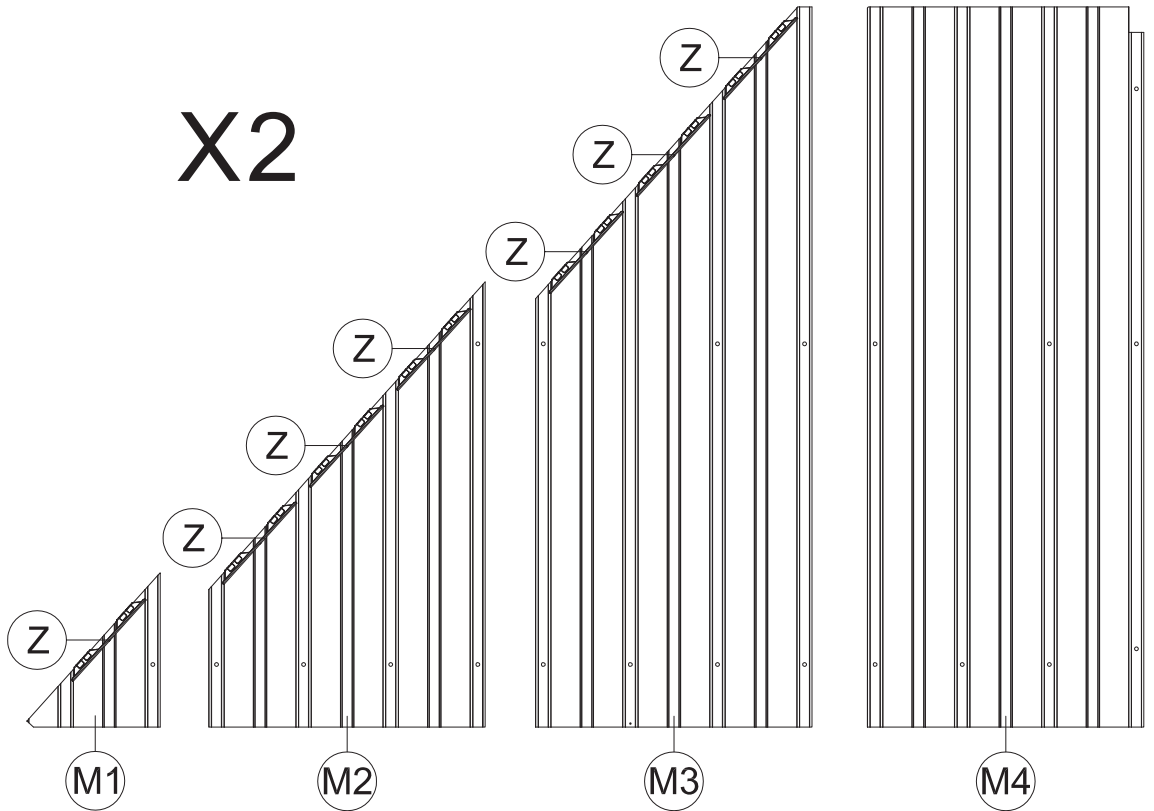
(2) Repeat the above procedures to assemble the other 3 corners.

# Cover Part #Z to Roof Panels

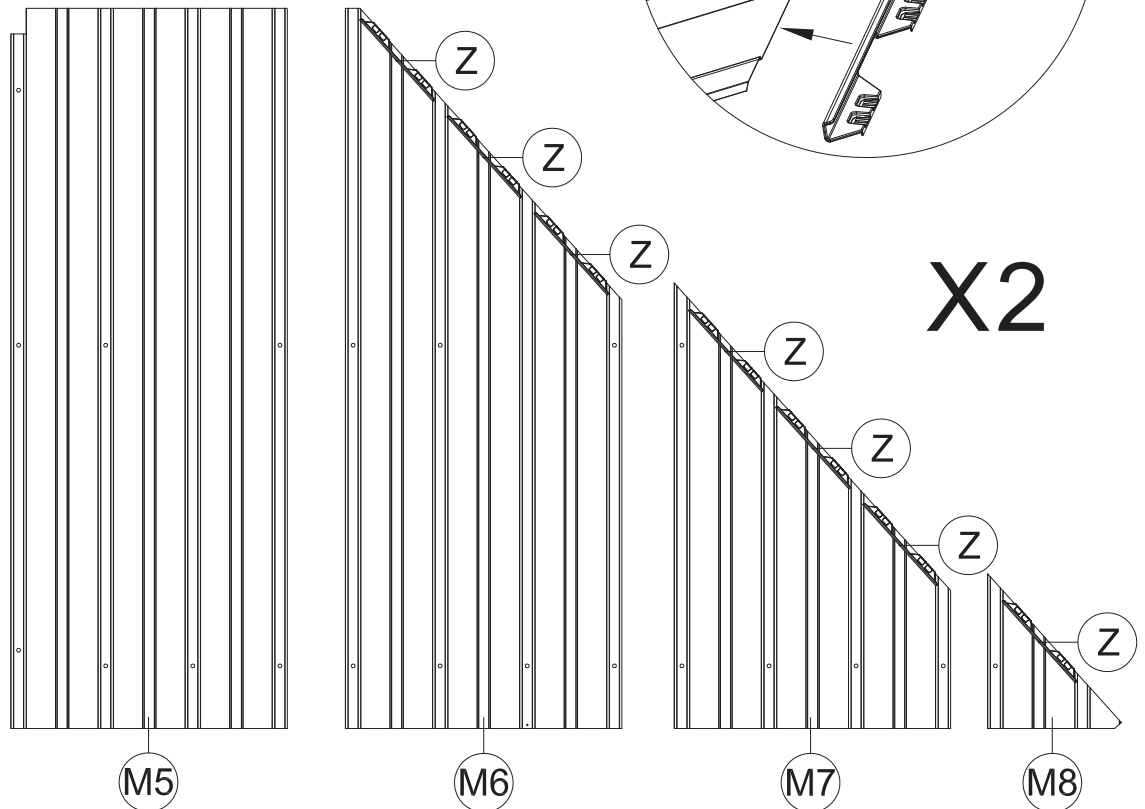
-  (M1) 2x
-  (M2) 2x
-  (M3) 2x
-  (M4) 2x
-  (M5) 2x
-  (M6) 2x
-  (M7) 2x
-  (M8) 2x
-  (Z) 28x

41


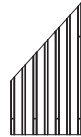
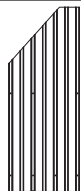
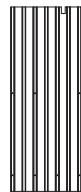

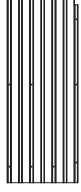

X2

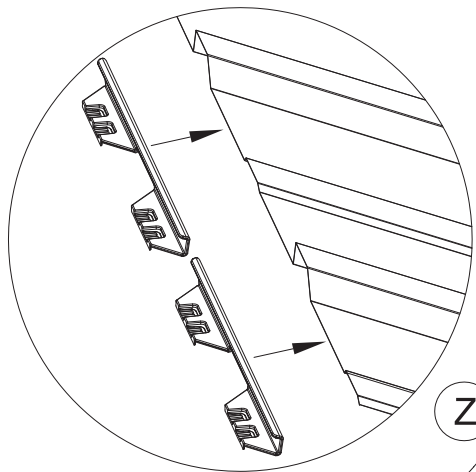


X2

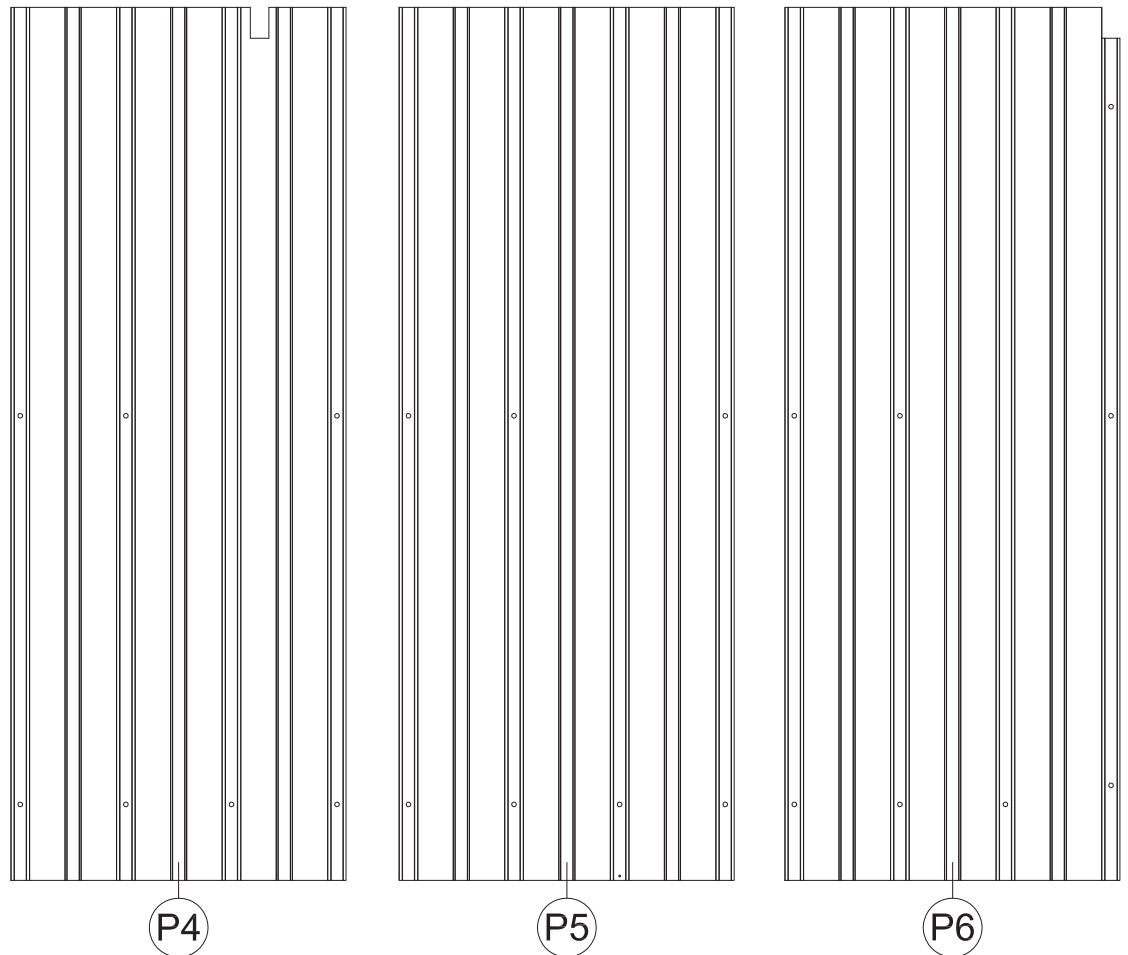
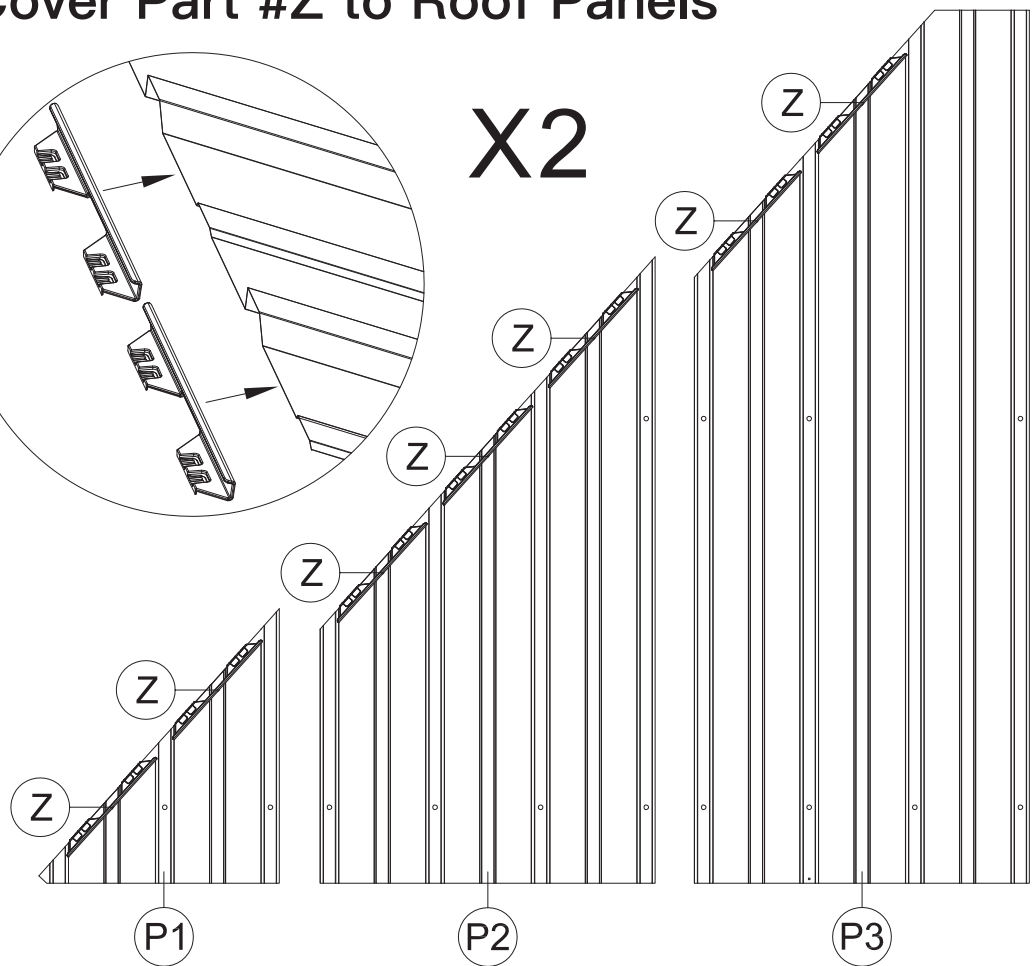


# Cover Part #Z to Roof Panels

-  P1 2x
-  P2 2x
-  P3 2x
-  P4 2x
-  P5 2x
-  P6 2x
-  Z 14x

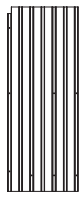


X2

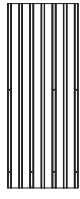


# Cover Part #Z to Roof Panels

P7 2x



P8 2x



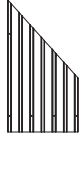
P9 2x



P10 2x



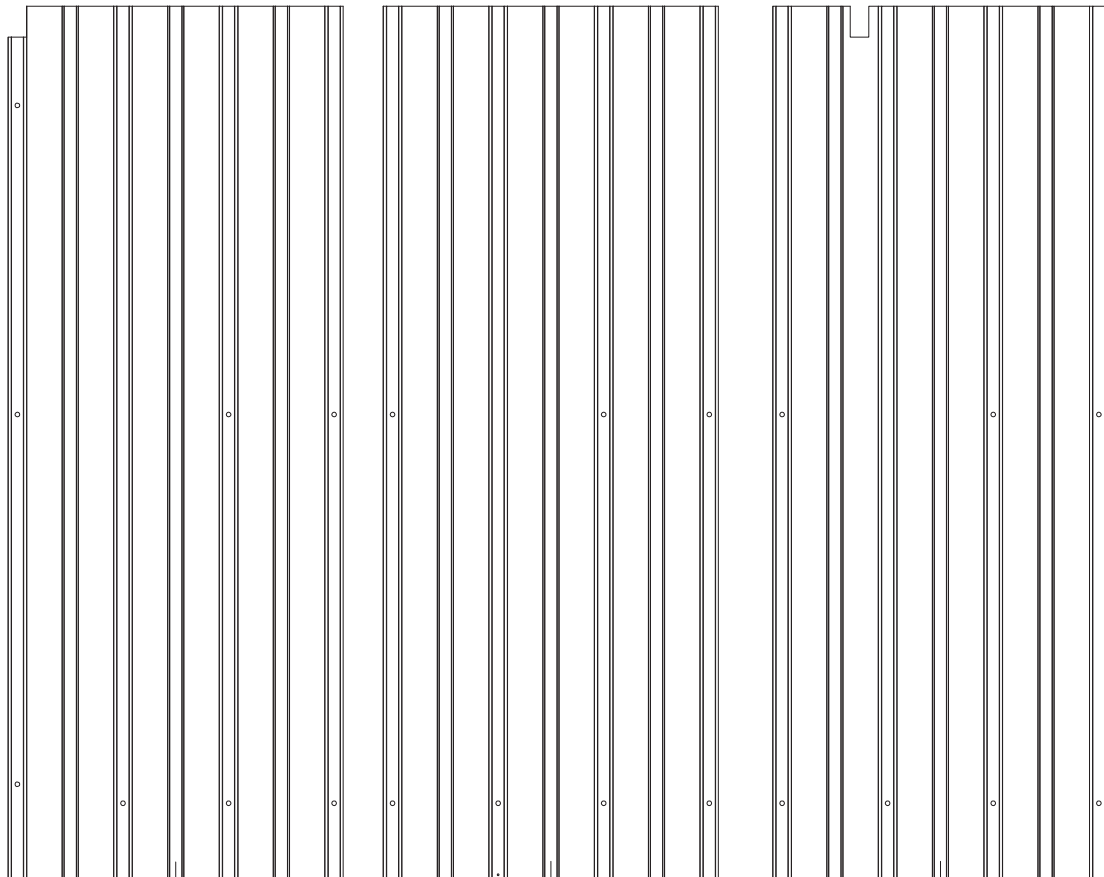
P11 2x



P12 2x

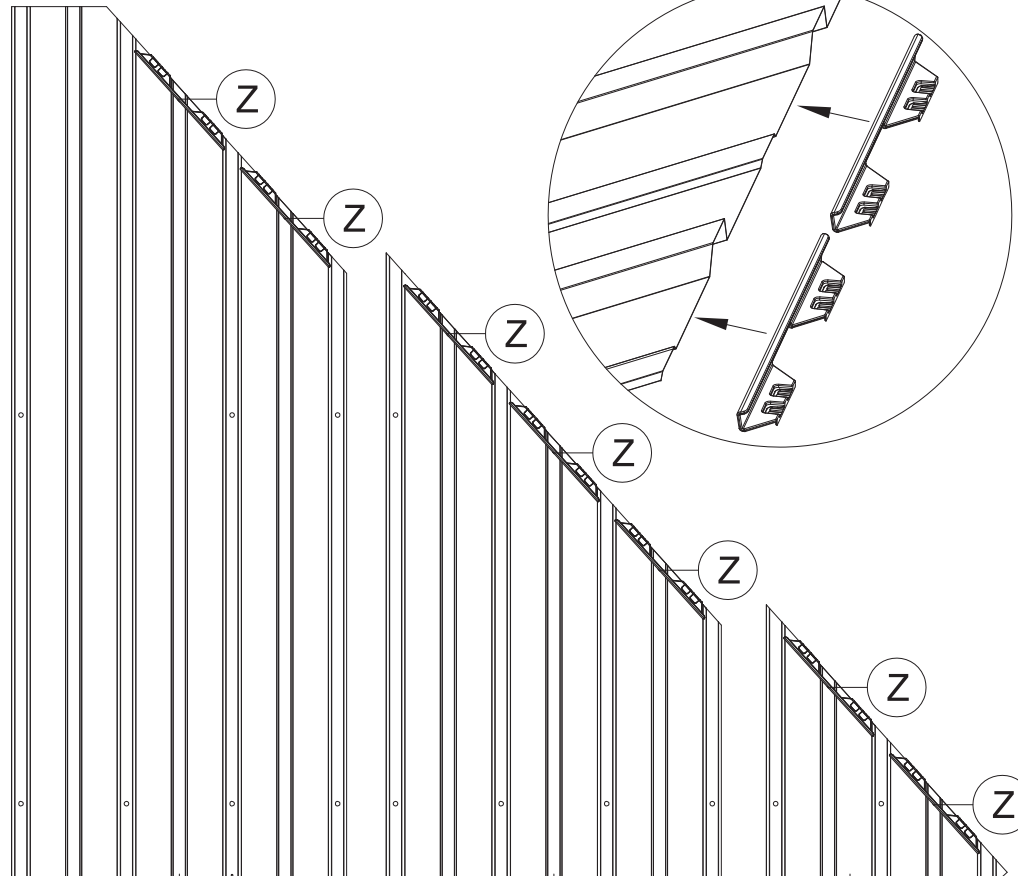


Z 14x



P7 X2 P8 P9

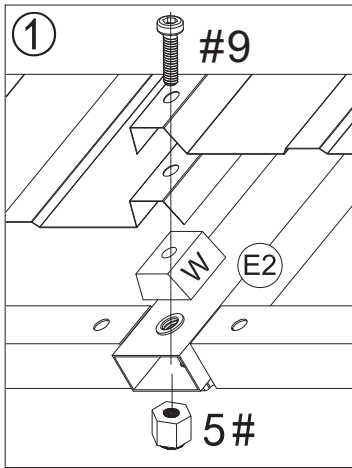
X2



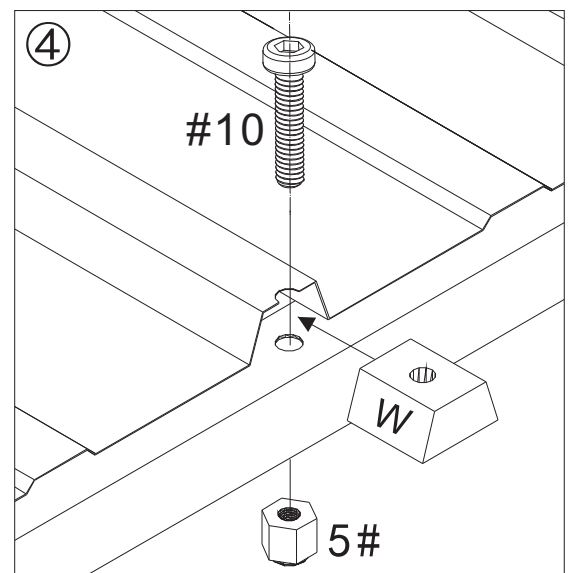
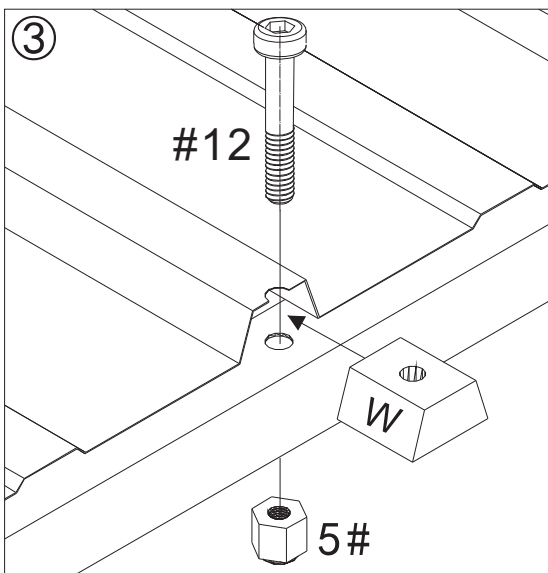
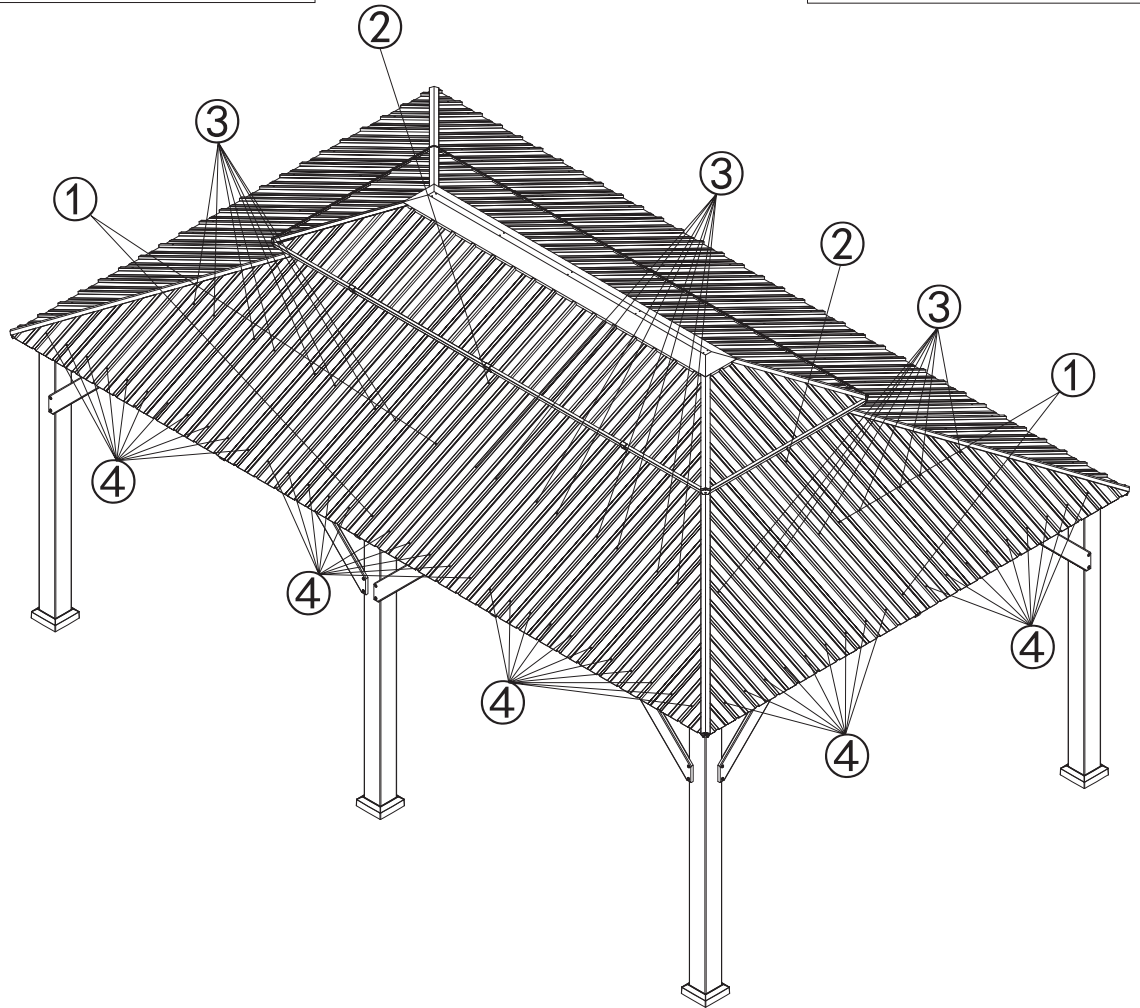
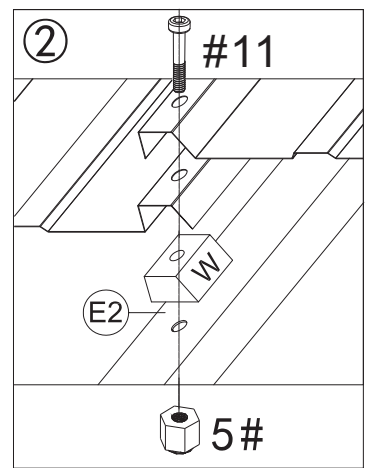
P10 P11 P12

X2

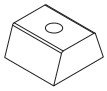




▲ Part #W should be inserted between roof panels and solidifying bar or beams, then secure with bolts and nuts.







W 36x



1 1x



M6

5 36x



M6x28

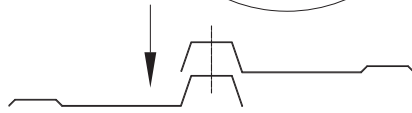
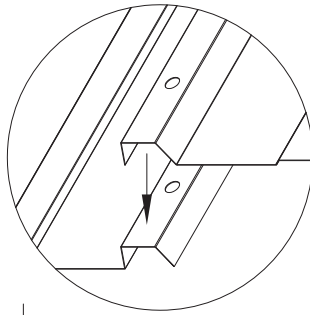
10 28x



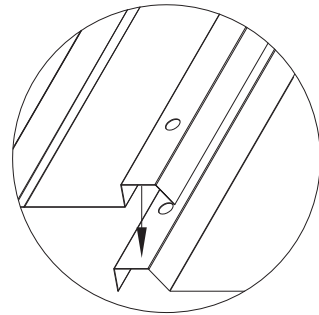
M6x50

12 8x

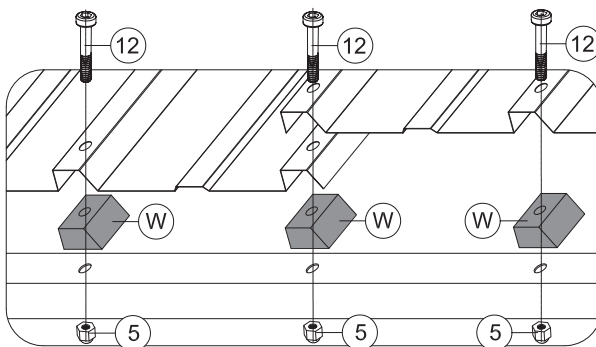
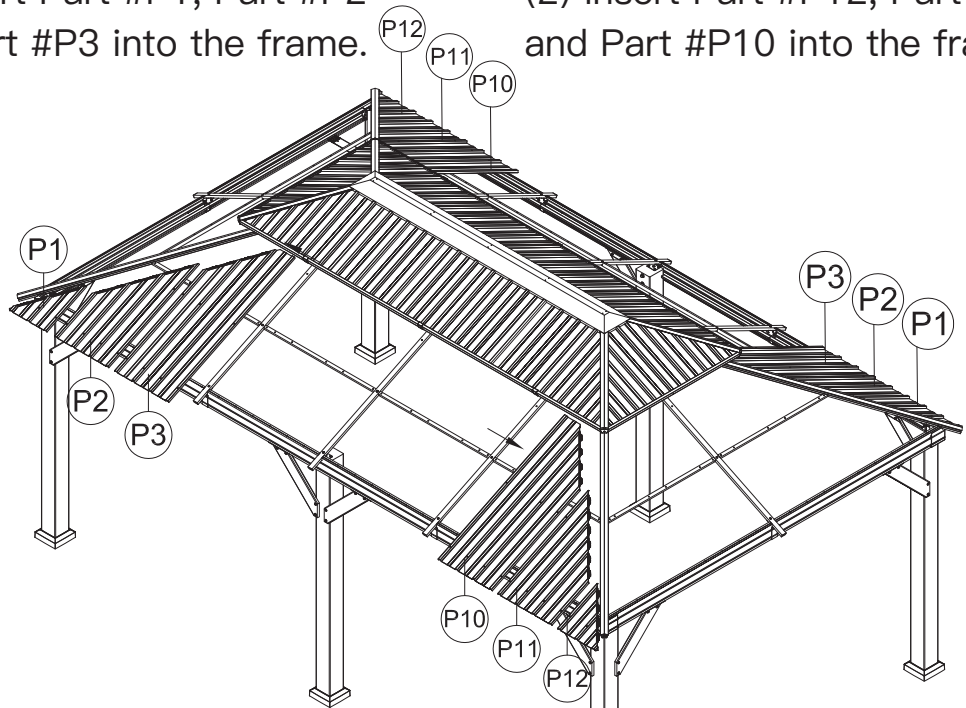
**ATTENTION: The bigger roof panel need to cover the smaller one.**



(1) Insert Part #P1, Part #P2 and Part #P3 into the frame.

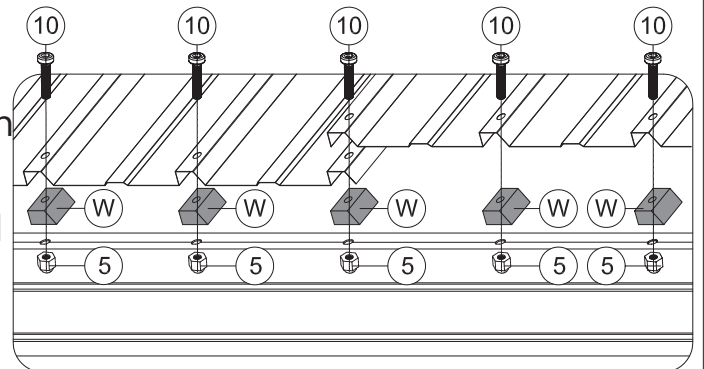


(2) Insert Part #P12, Part #P11 and Part #P10 into the frame.

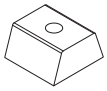


(3) Place 4 Part #W between roof panels and solidifying bars. Then secure with 4 Bolts #12 and 4 Nuts #5.

(4) Place 14 Part #W between roof panels and beams. Then secure with 14 Bolts #10 and 14 Nuts #5.



(5) Repeat the above procedures to assemble the opposite side.



W 40x



1 1x



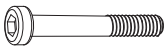
M6

5 40x



M6x28

10 24x



M6x50

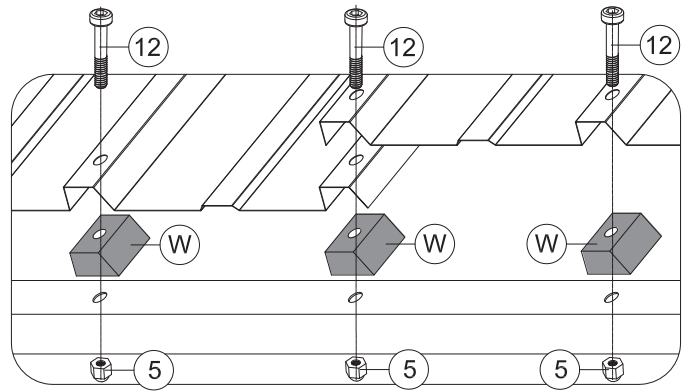
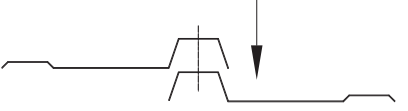
12 16x

**ATTENTION:** The bigger roof panel need to cover the smaller one.

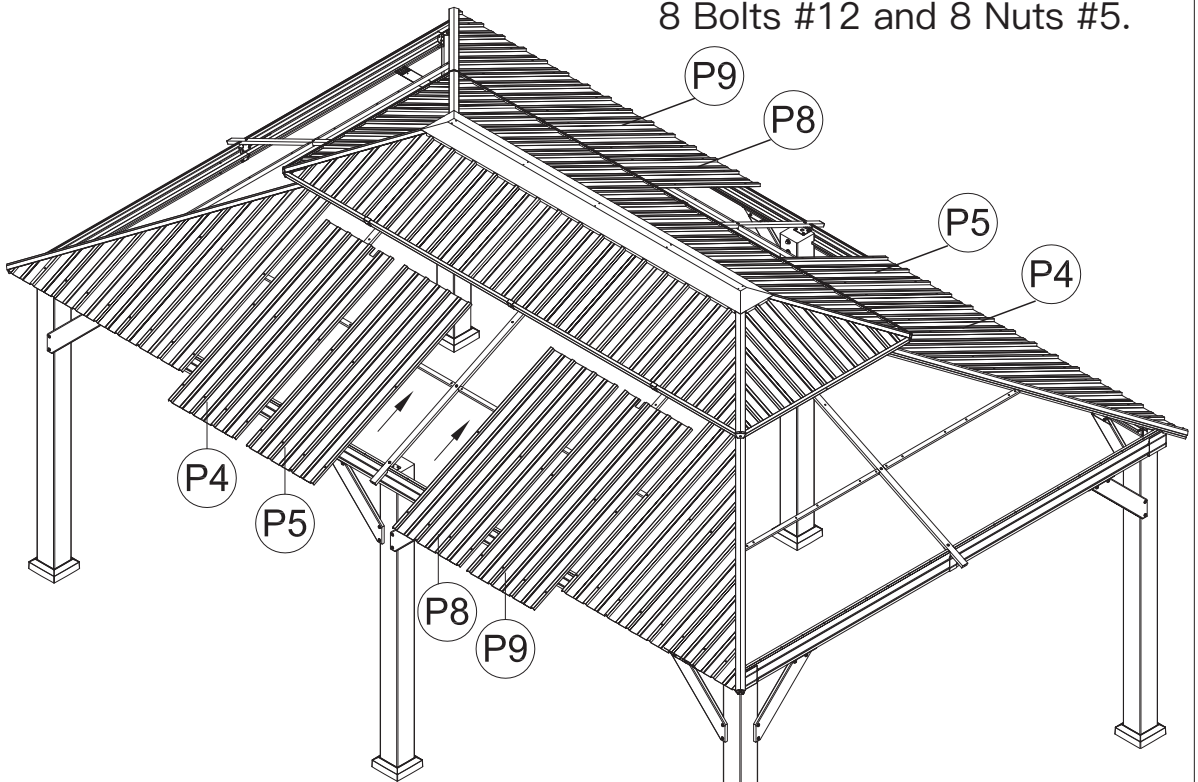
(1) Insert Part #P4 and Part #P5 into the frame.



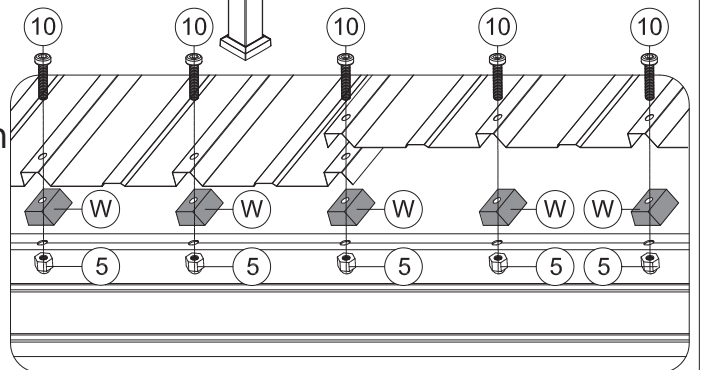
(2) Insert Part #P9 and Part #P8 into the frame.



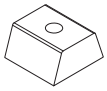
(3) Place 8 Part #W between roof panels and solidifying bars. Then secure with 8 Bolts #12 and 8 Nuts #5.



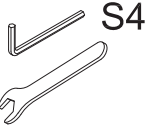
(4) Place 12 Part #W between roof panels and beams. Then secure with 12 Bolts #10 and 12 Nuts #5.



(5) Repeat the above procedures to assemble the opposite side.



W 24x

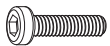


1 1x



M6

5 20x



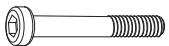
M6x25

9 4x



M6x28

10 12x

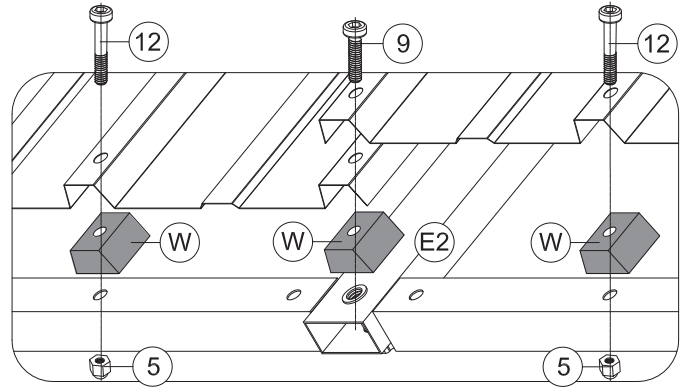
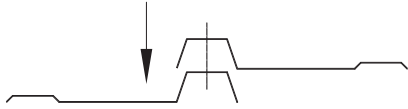


M6x50

12 8x

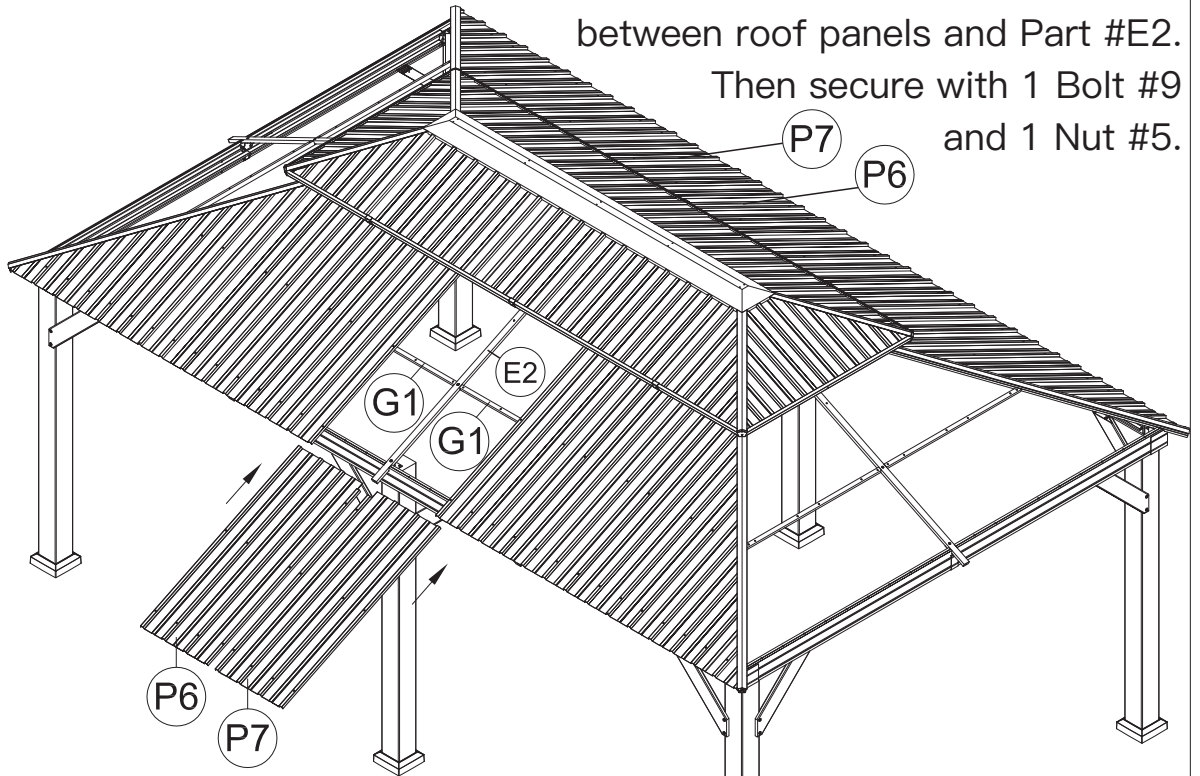
**ATTENTION: The bigger roof panel need to cover the smaller one.**

(1) Insert Part #P6 into the frame.

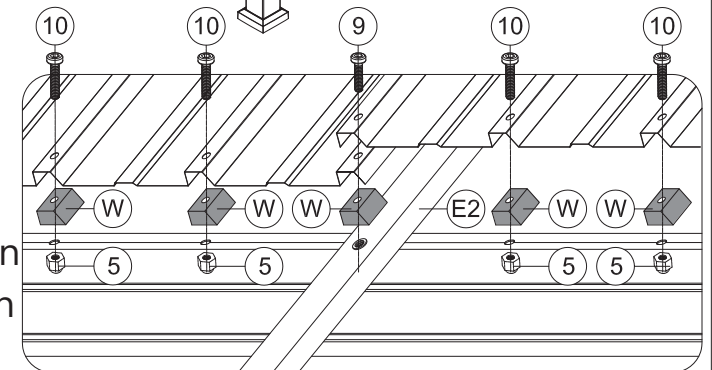
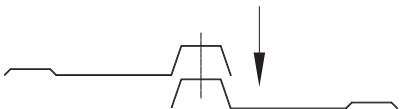


(3) Place 4 Part #W between roof panels and solidifying bars. Then secure with 4 Bolts #12 and 4 Nuts #5; Place 1 Part #W between roof panels and Part #E2.

Then secure with 1 Bolt #9 and 1 Nut #5.



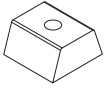
(2) Insert Part #P7 into the frame.



(4) .Place 6 Part #W between roof panels and beams. Then secure with 6 Bolts #10 and 6 Nuts #5; Place 1 Part #W between roof panels and Part #E2. Then secure with 1 Bolt #9 and 1 Nut #5.

(5) Repeat the above procedures to assemble the opposite side.

**ATTENTION: The bigger roof panel need to cover the smaller one.**



W 12x



1 1x



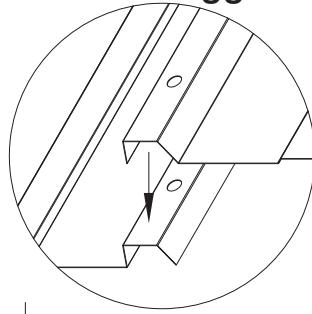
M6

5 12x

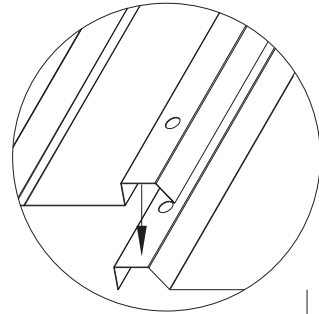


M6x28

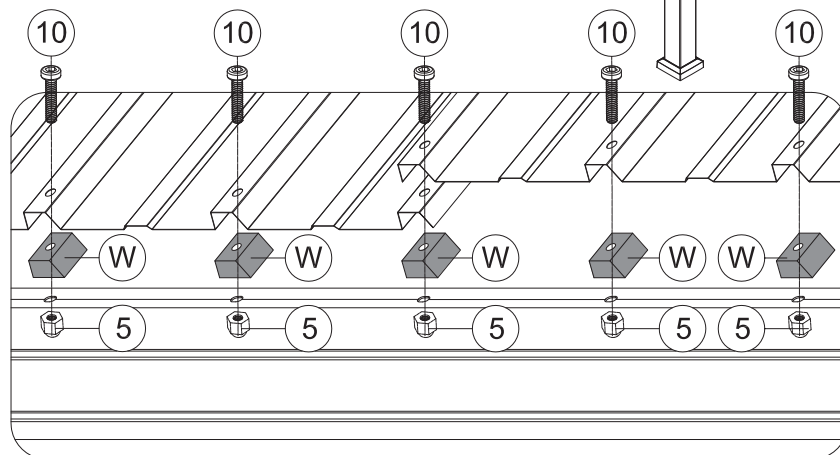
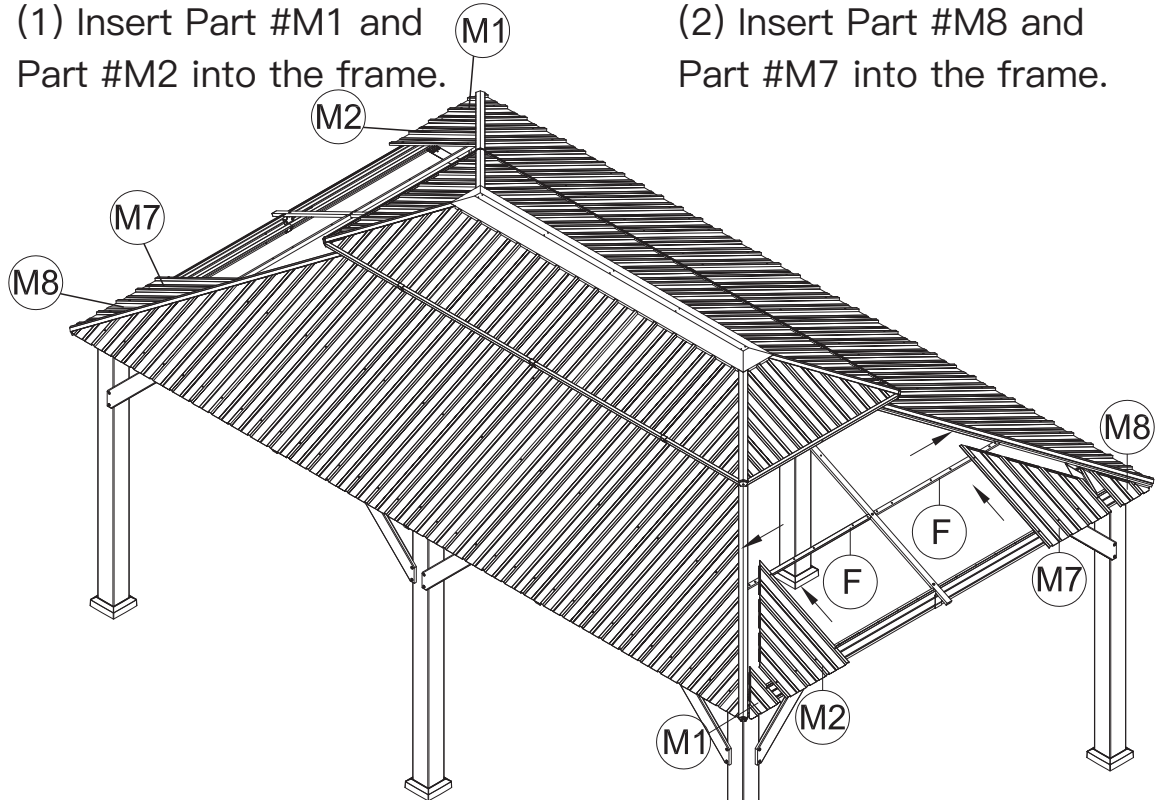
10 12x



(1) Insert Part #M1 and Part #M2 into the frame.



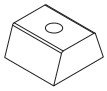
(2) Insert Part #M8 and Part #M7 into the frame.



(3) Place 6 Part #W between roof panels and beams.  
Then secure with 6 Bolts #10 and 6 Nuts #5.

(4) Repeat the above procedures to assemble the opposite side.





W 20x



1 1x



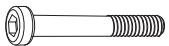
M6

5 20x



M6x28

10 12x



M6x50

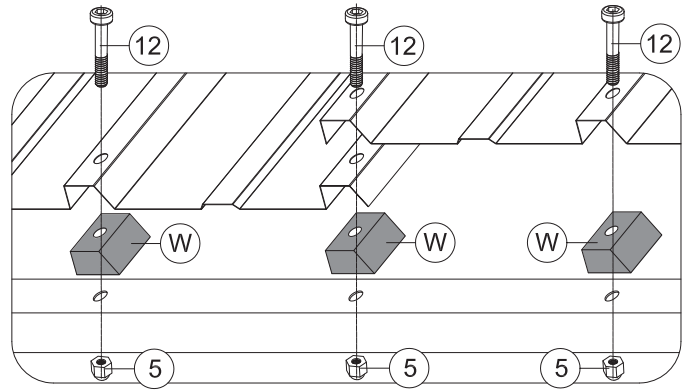
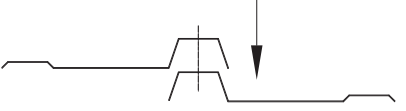
12 8x

**ATTENTION: The bigger roof panel need to cover the smaller one.**

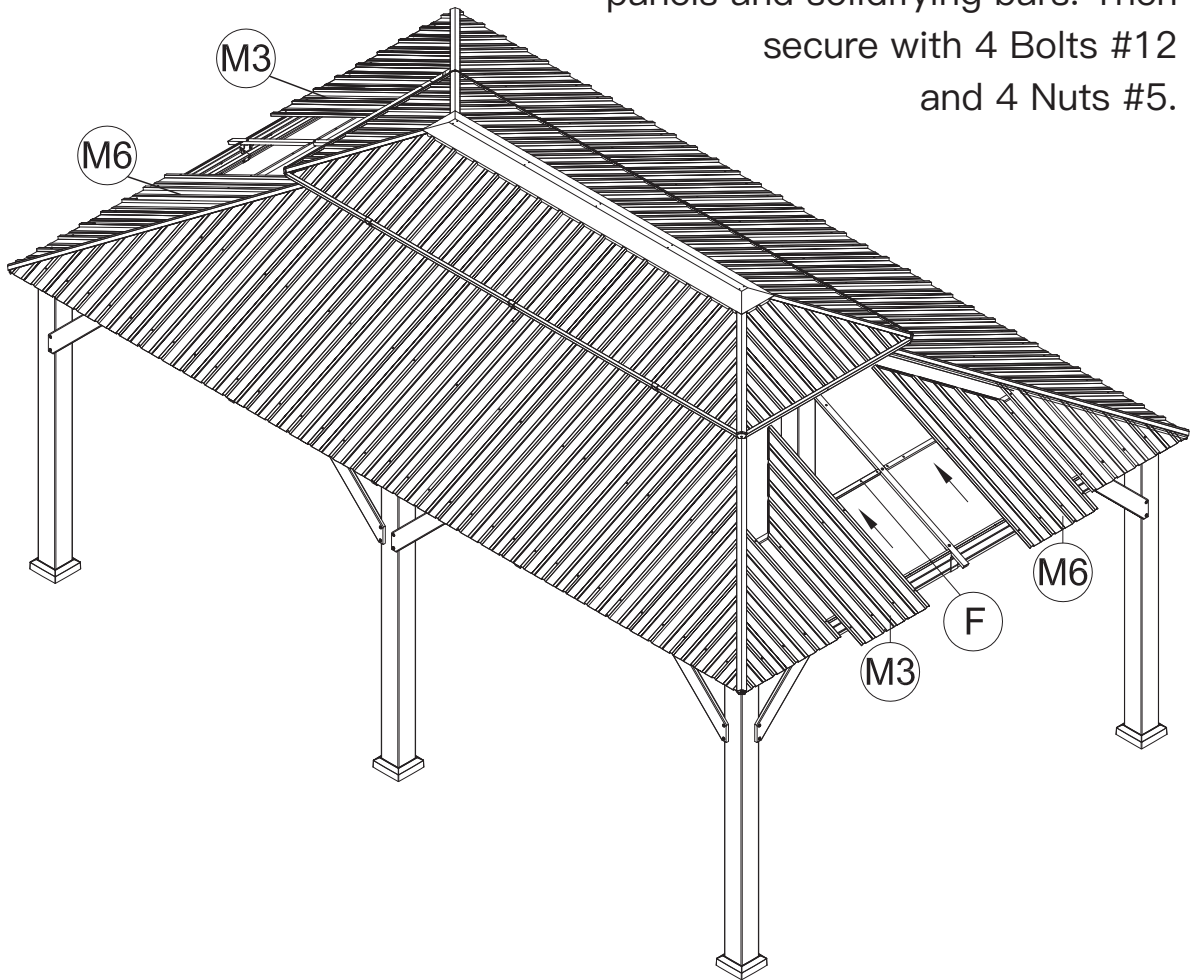
(1) Insert Part #M3 into the frame.



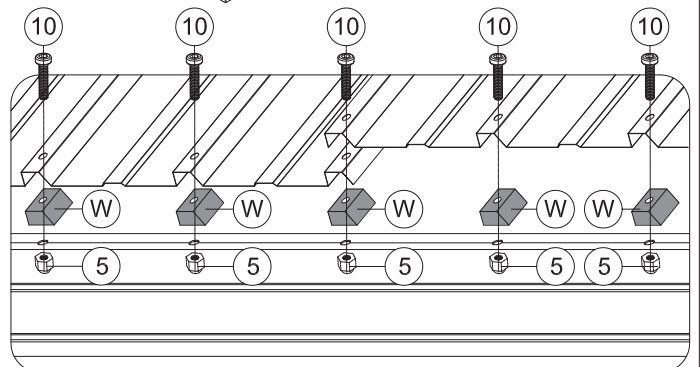
(2) Insert Part #M6 into the frame.



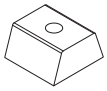
(3) Place 4 Part #W between roof panels and solidifying bars. Then secure with 4 Bolts #12 and 4 Nuts #5.



(4) Place 6 Part #W between roof panels and beams. Then secure with 6 Bolts #10 and 6 Nuts #5.



(5) Repeat the above procedures to assemble the opposite side.



W 24x



1 1x



M6

5 20x



M6x25

9 4x



M6x28

10 12x



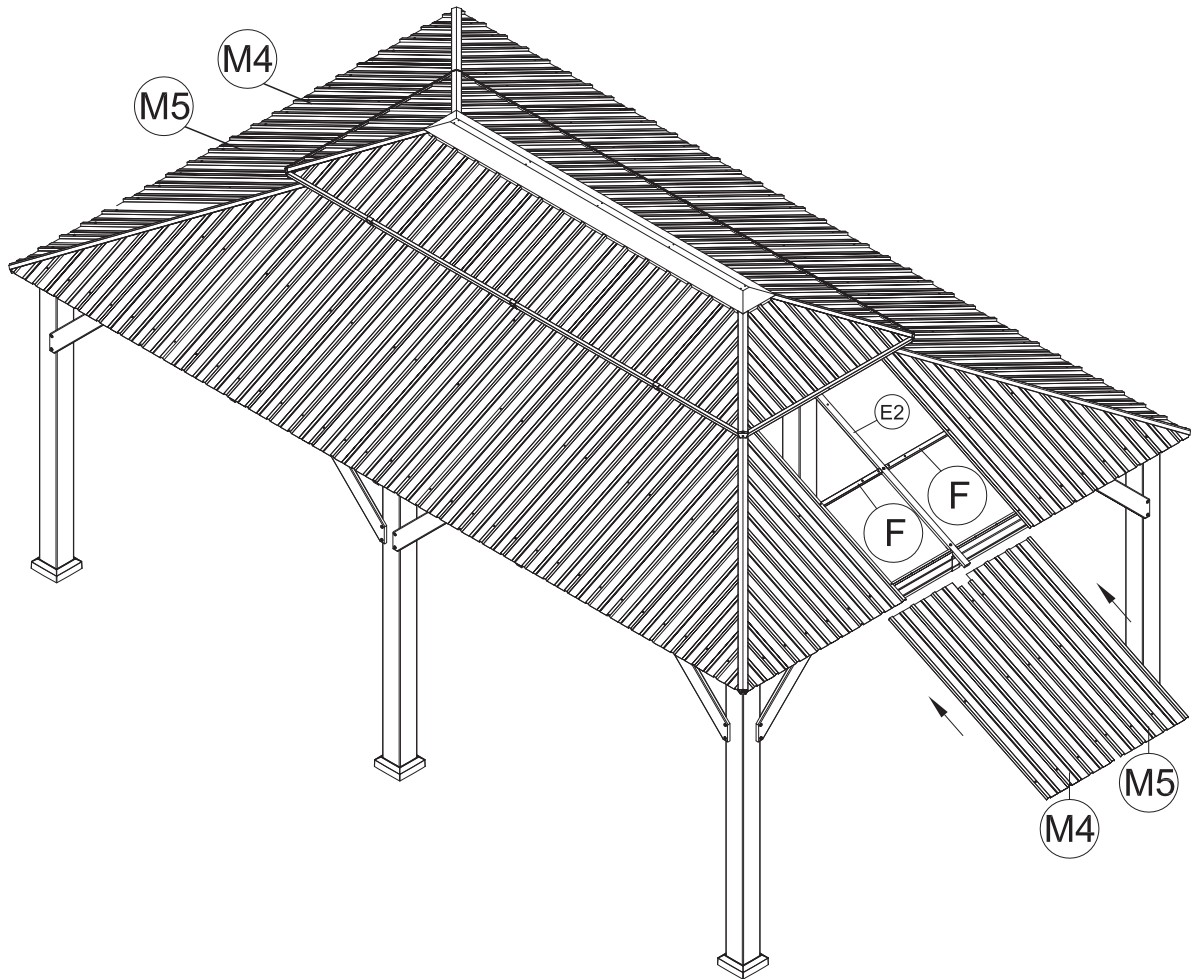
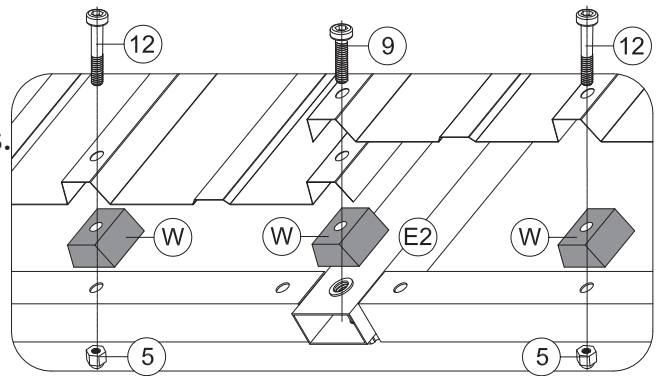
M6x50

12 8x

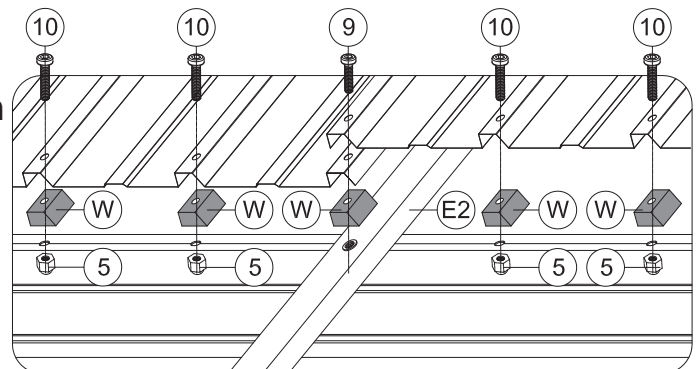
**ATTENTION:** The bigger roof panel need to cover the smaller one.

(1) Insert Part #M4 and Part #M5 into the frame.

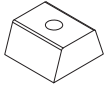
(2) Place 4 Part #W between roof panels and solidifying bars. Then secure with 4 Bolts #12 and 4 Nuts #5; Place 1 Part #W between roof panels and Part #E2. Then secure with 1 Bolt #9 and 1 Nut #5.



(3) Place 6 Part #W between roof panels and beams. Then secure with 6 Bolts #10 and 6 Nuts #5; Place 1 Part #W between roof panels and Part #E2. Then secure with 1 Bolt #9 and 1 Nut #5.



(4) Repeat the above procedures to assemble the opposite side.



W 4x

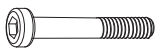


1 1x



M6

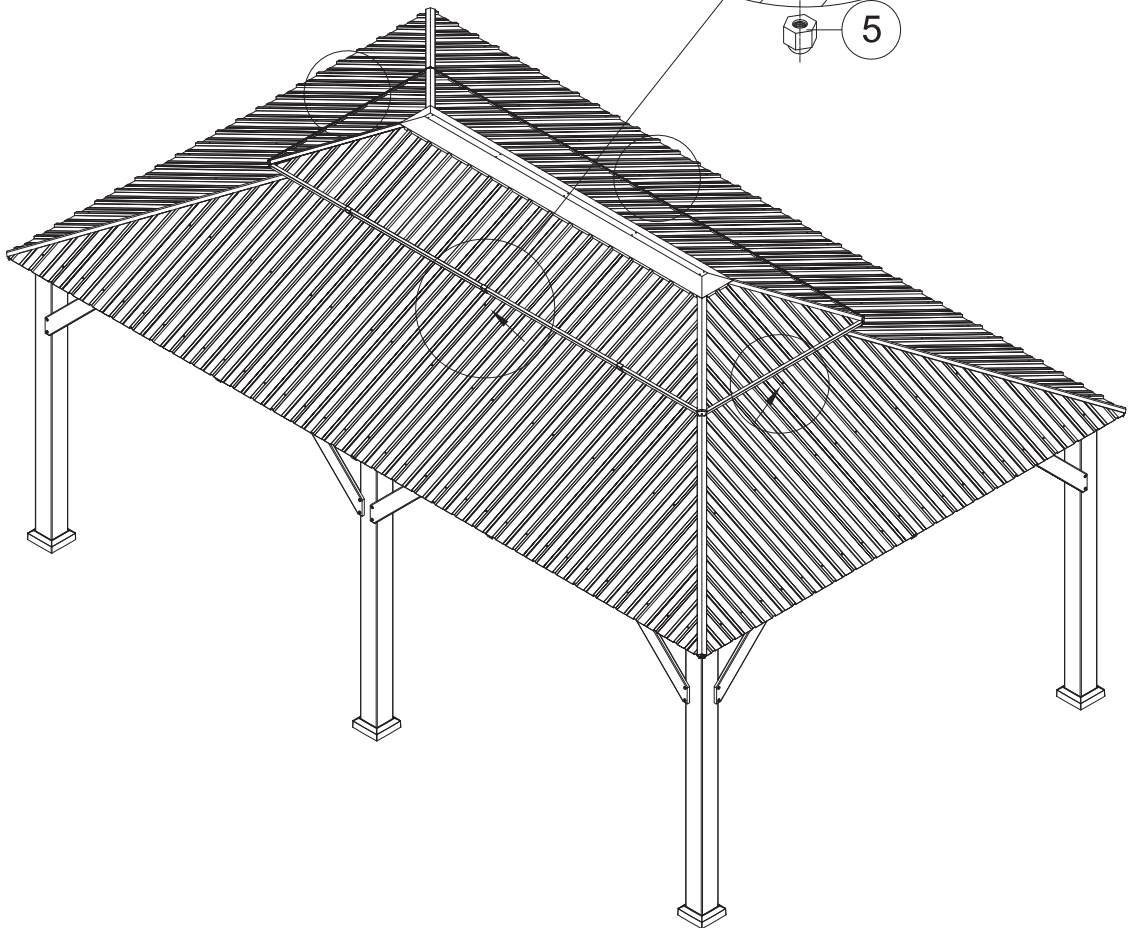
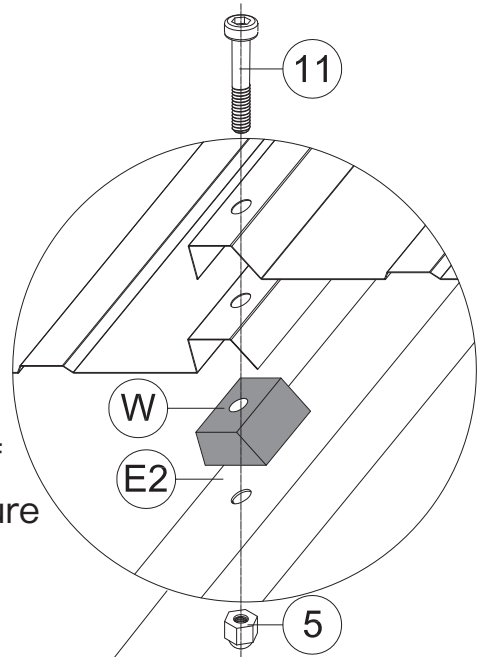
5 4x



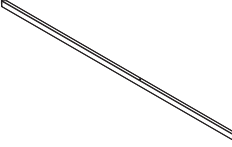
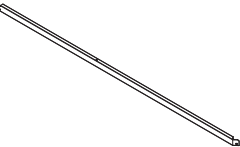
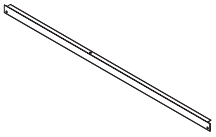
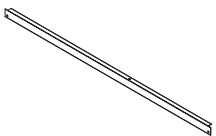



M6x45

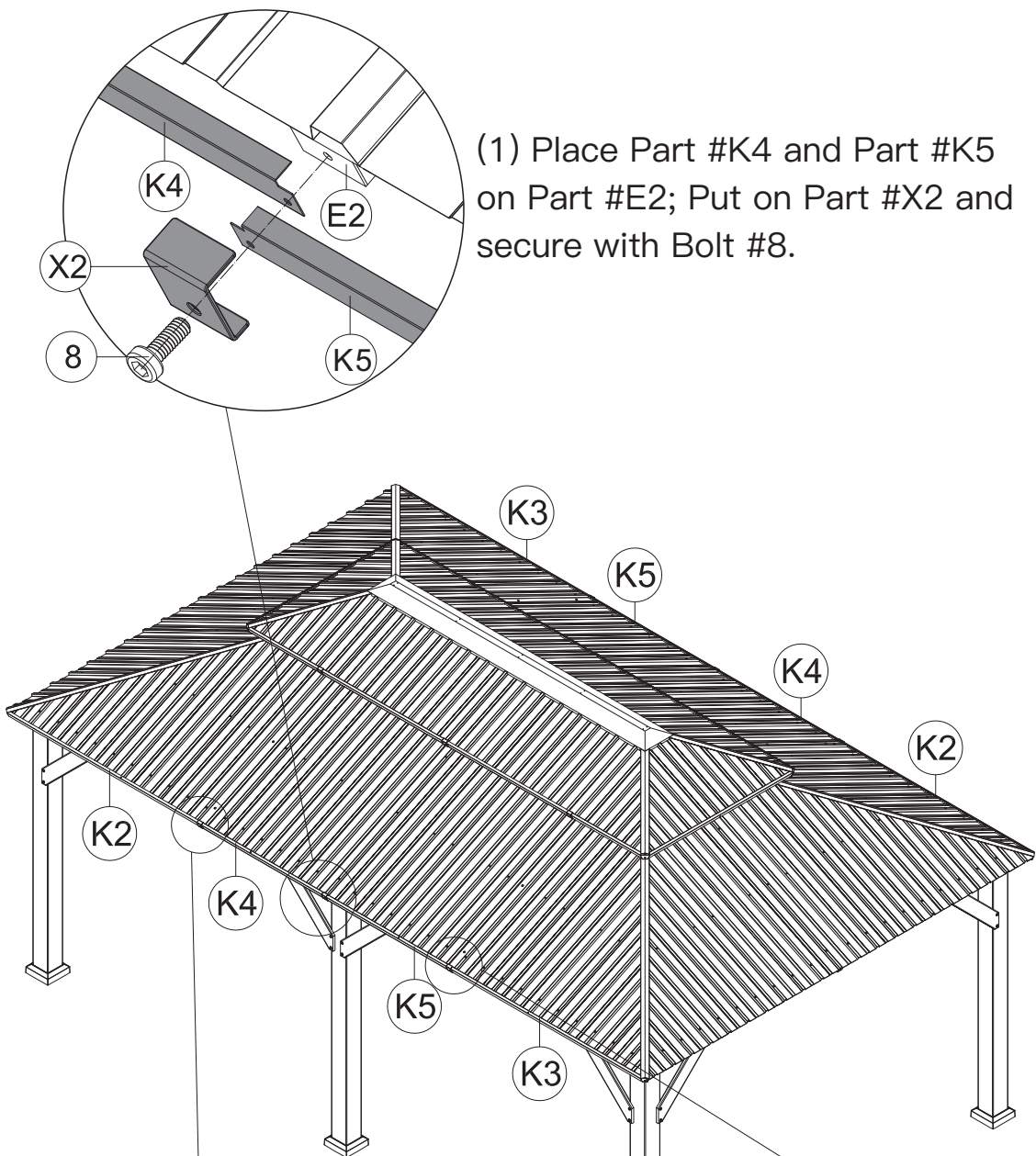
11 4x

(1) Place Part #W between roof panels and Part #E2. Then secure with Bolt #11 and Nut #5.

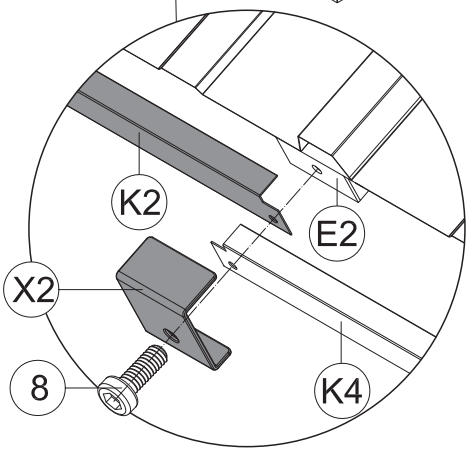


(2) Repeat the above procedures to assemble the other 3 sides.

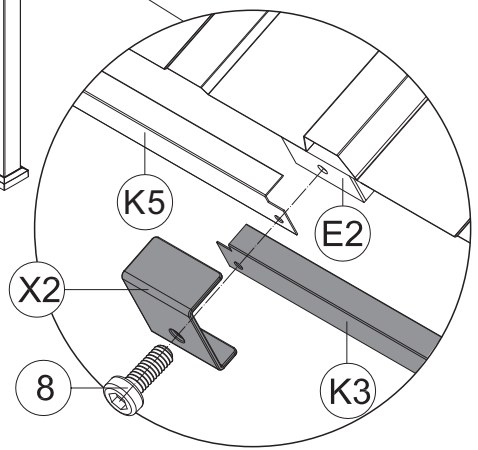
-  **K2** 2x
-  **K3** 2x
-  **K4** 2x
-  **K5** 2x
-  **X2** 6x
-  **S4** 1x
-  **8** 6x



(1) Place Part #K4 and Part #K5 on Part #E2; Put on Part #X2 and secure with Bolt #8.



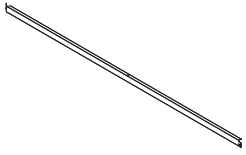
(2) Place Part #K2 on Part #K4 and Part #E2; Put on Part #X2 and secure with Bolt #8.



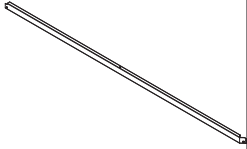
(3) Place Part #K3 on Part #K5 and Part #E2; Put on Part #X2 and secure with Bolt #8.

(4) Repeat the above procedures to assemble the opposite side.





(K) 2x



(K1) 2x



(X2) 2x



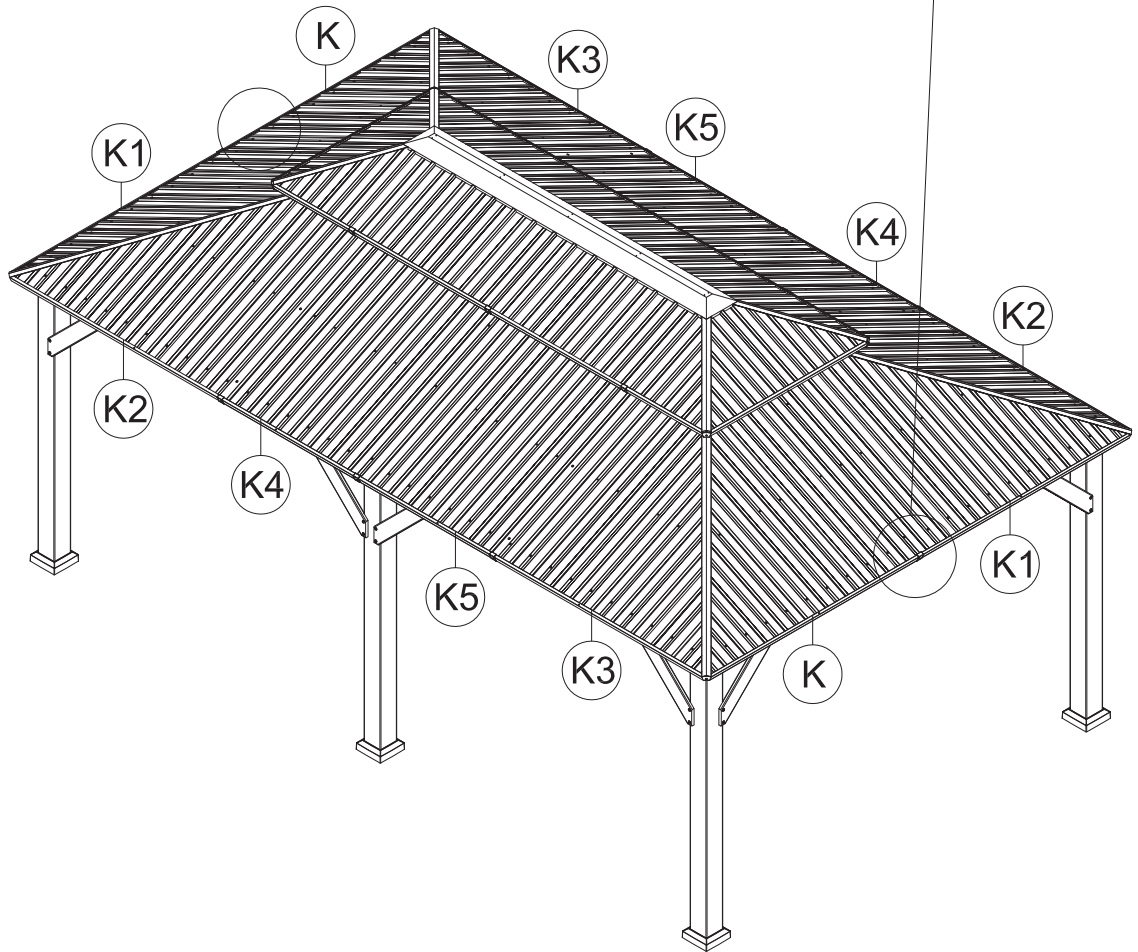
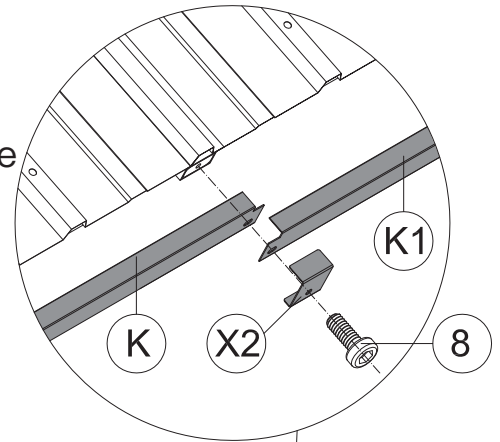
(1) 1x



M6x16

(8) 2x

(1) Attach Part #K and Part #K1 to the frame; Put on Part #X2 and secure with Bolt #8.



(2) Repeat the above procedures to assemble the opposite side.



X3 4x

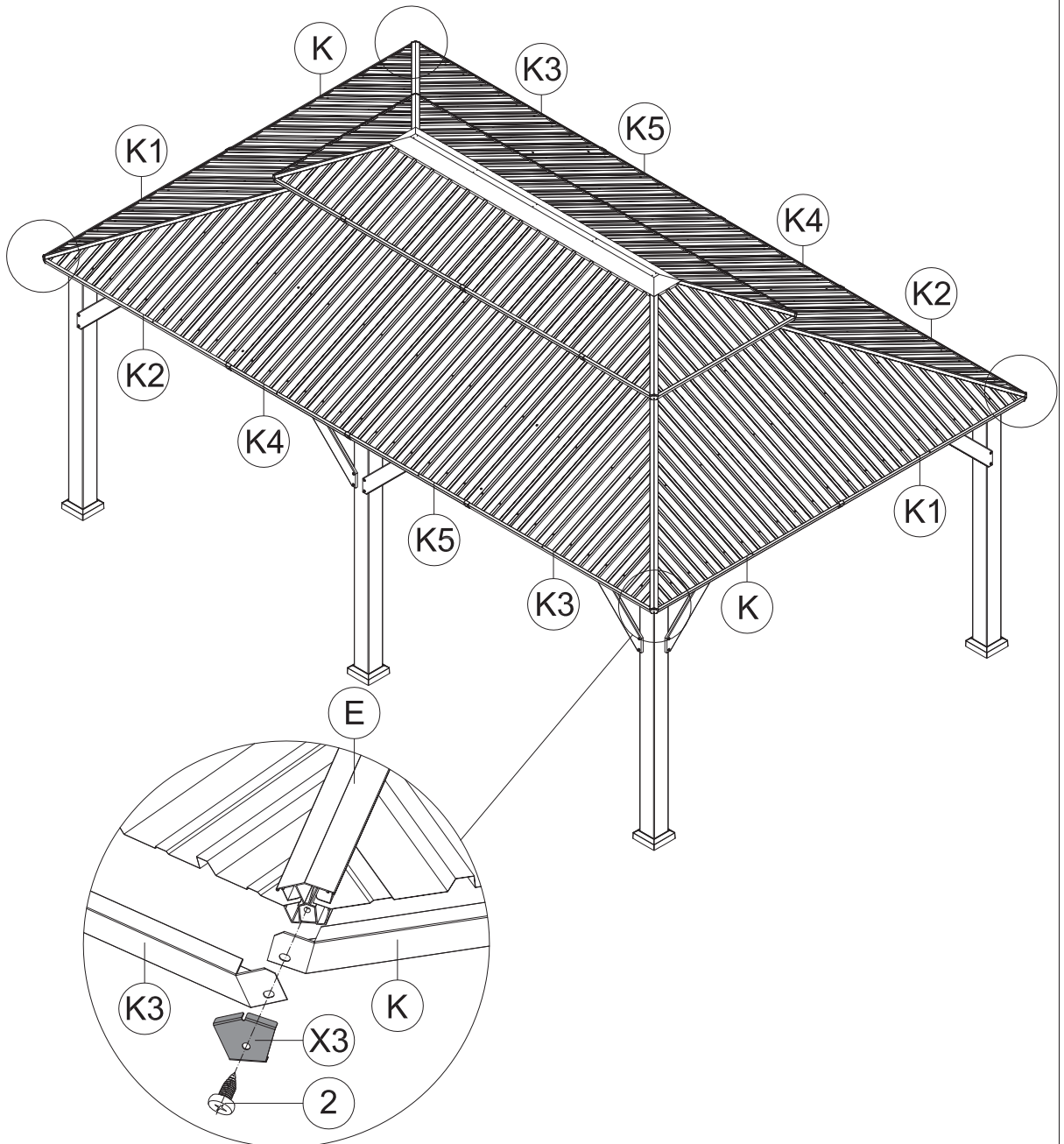


1 1x



ST6.3x15

2 4x



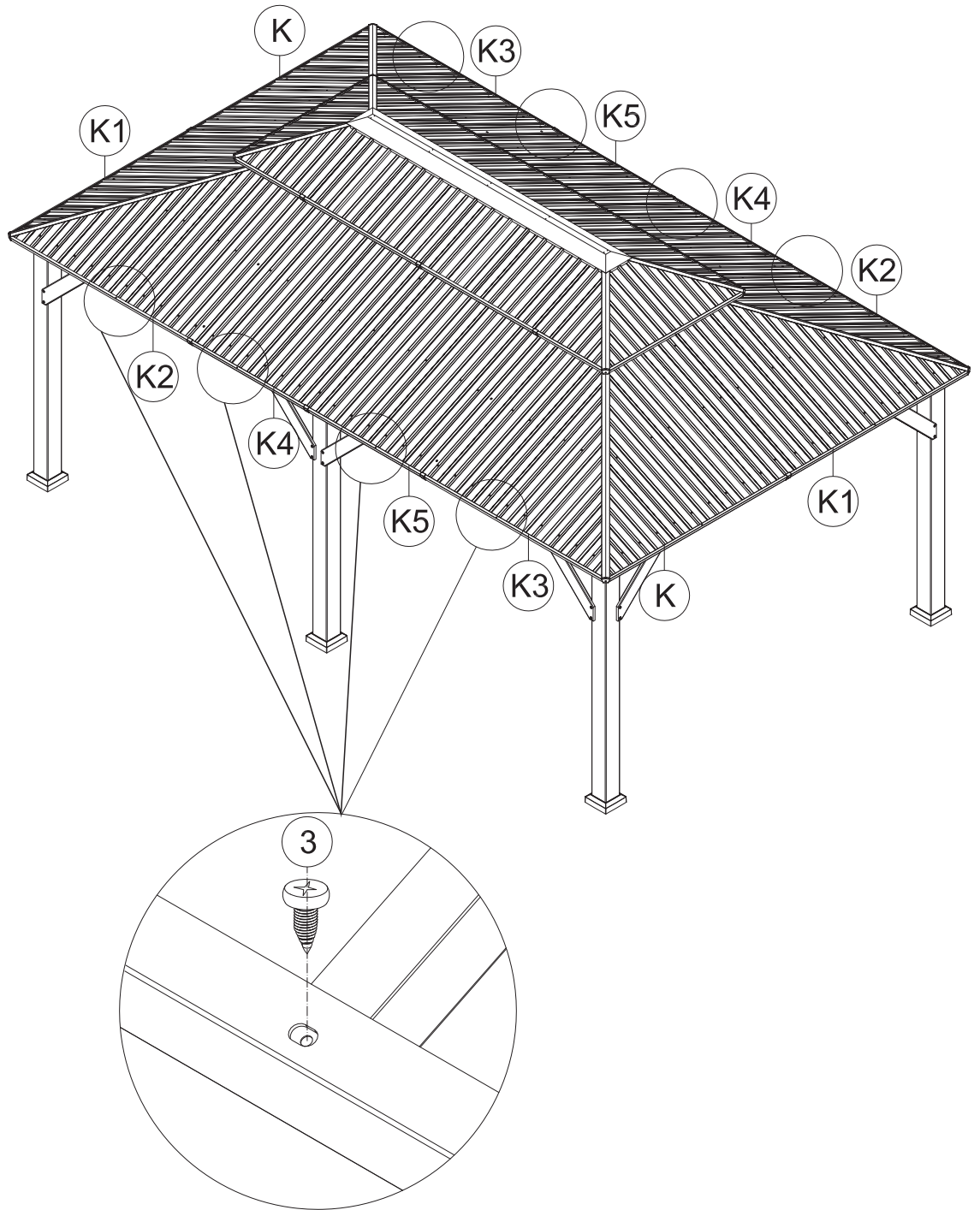
(1) Place Part #K3 and Part #K on Part #E;  
Put on Part #X3 and secure with Self-tapping Screw #2.

(2) Repeat the above procedures to assemble the other 3 corners.



ST5x16

3 12x



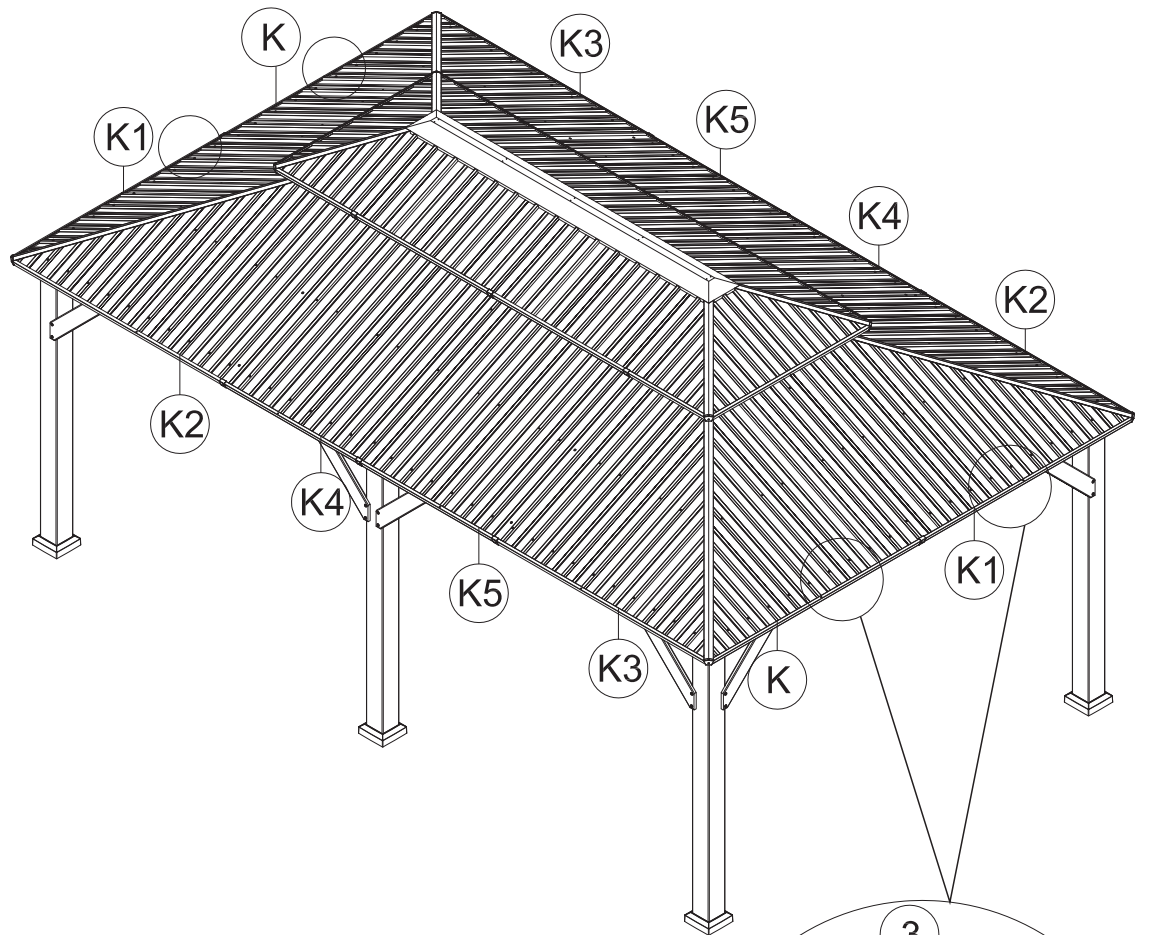
(1) Attach roof panels to finishing bars with 4 Self-tapping Screws #3.

(2) Repeat the above procedures to assemble the opposite side.

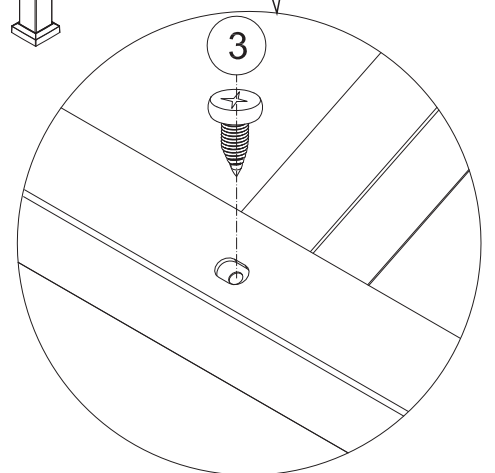


ST5x16

3 12x



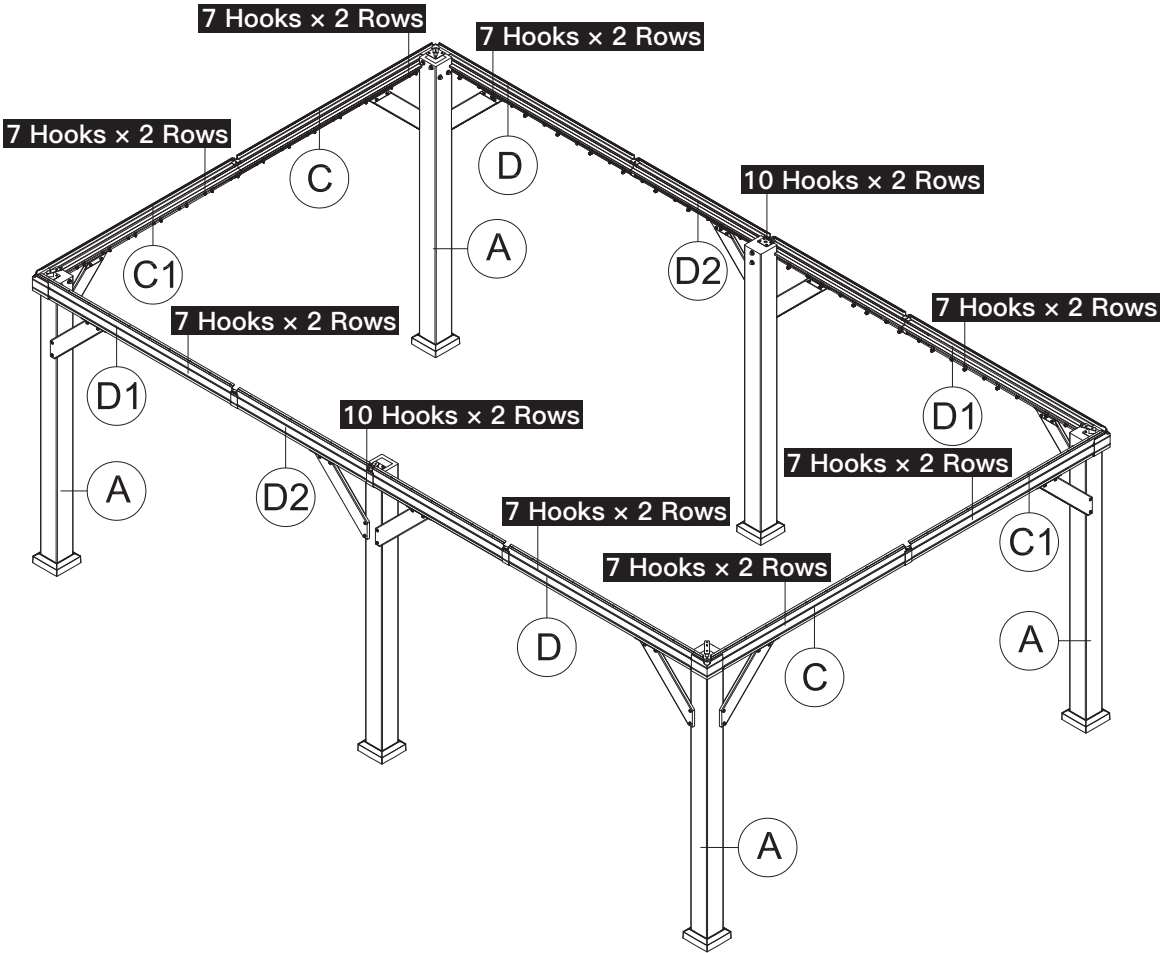
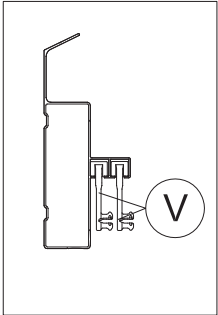
(1) Attach roof panels to finishing bars with 2 Self-tapping Screws #3.

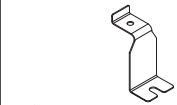


(2) Repeat the above procedures to assemble the opposite side.

# How to Put the 152 Hooks into the **Double-track**

## Double-track





T1 2x



V 56x



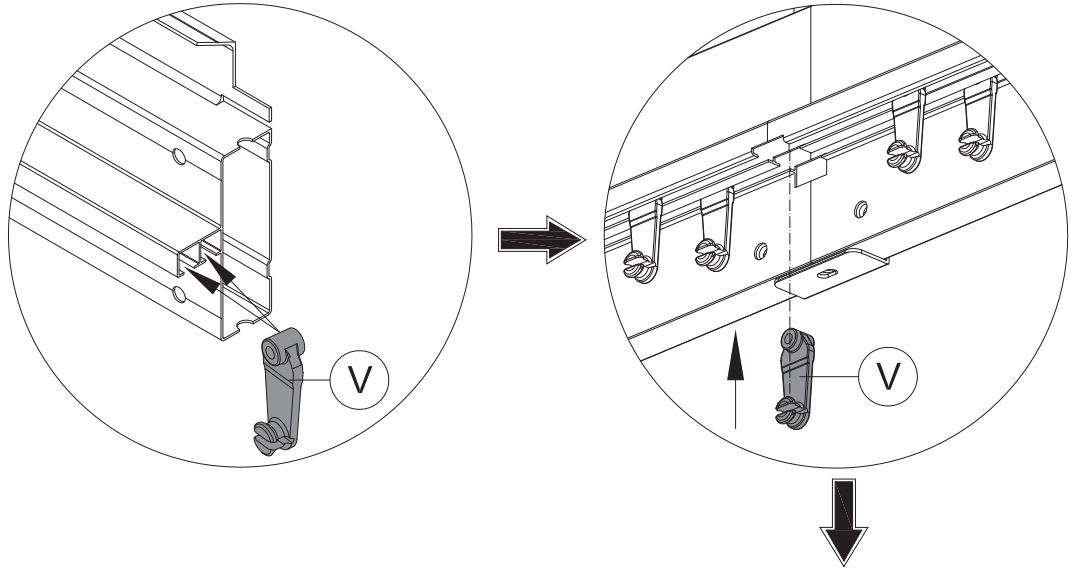
1 1x



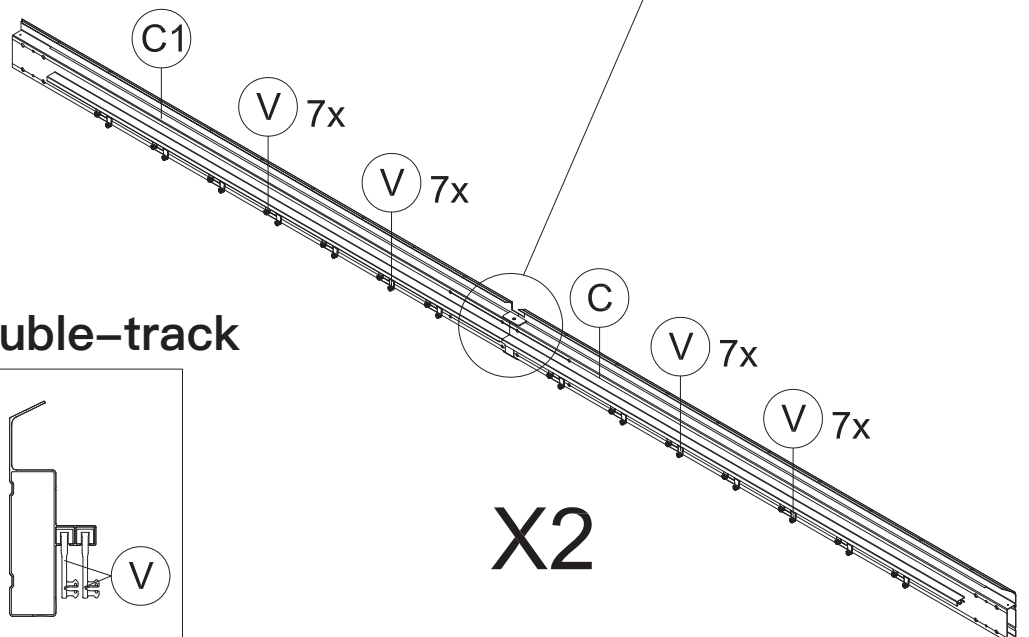
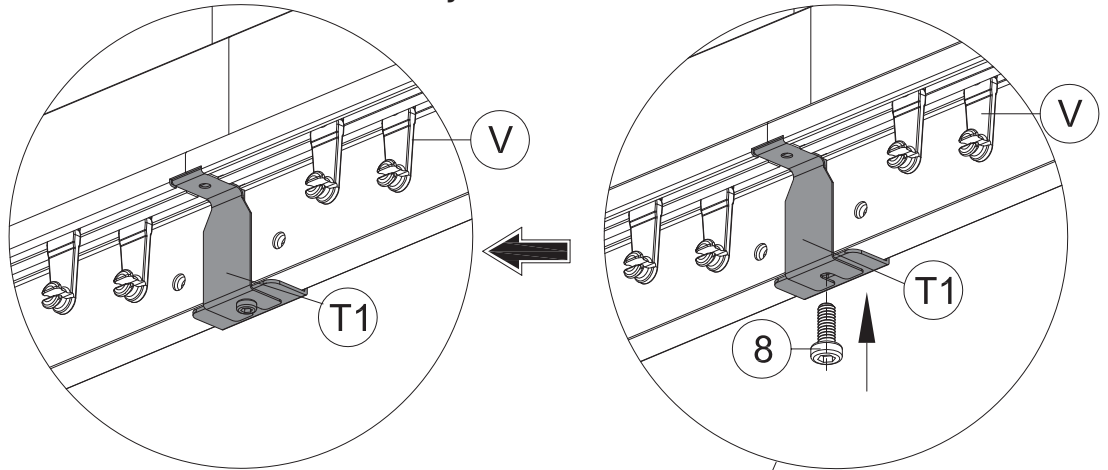
M6x16

8 4x

(1) Place 7 hooks on each slot of the Sidewall Track(C1&C).

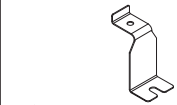


(2) Install Part #T1 at the joint of Part C&C1 with Bolt #8.



(3) Repeat the above procedures to assemble the opposite side.





T1 4x



V 96x



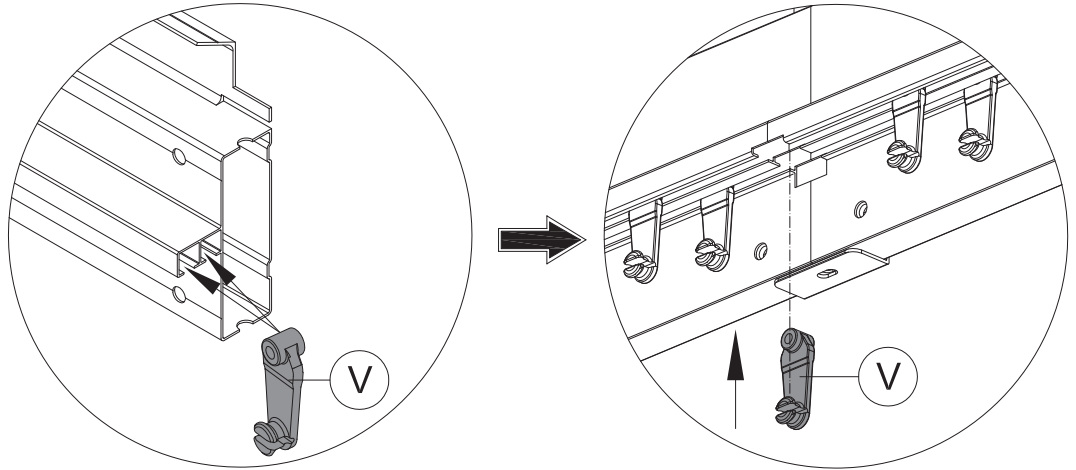
1 1x



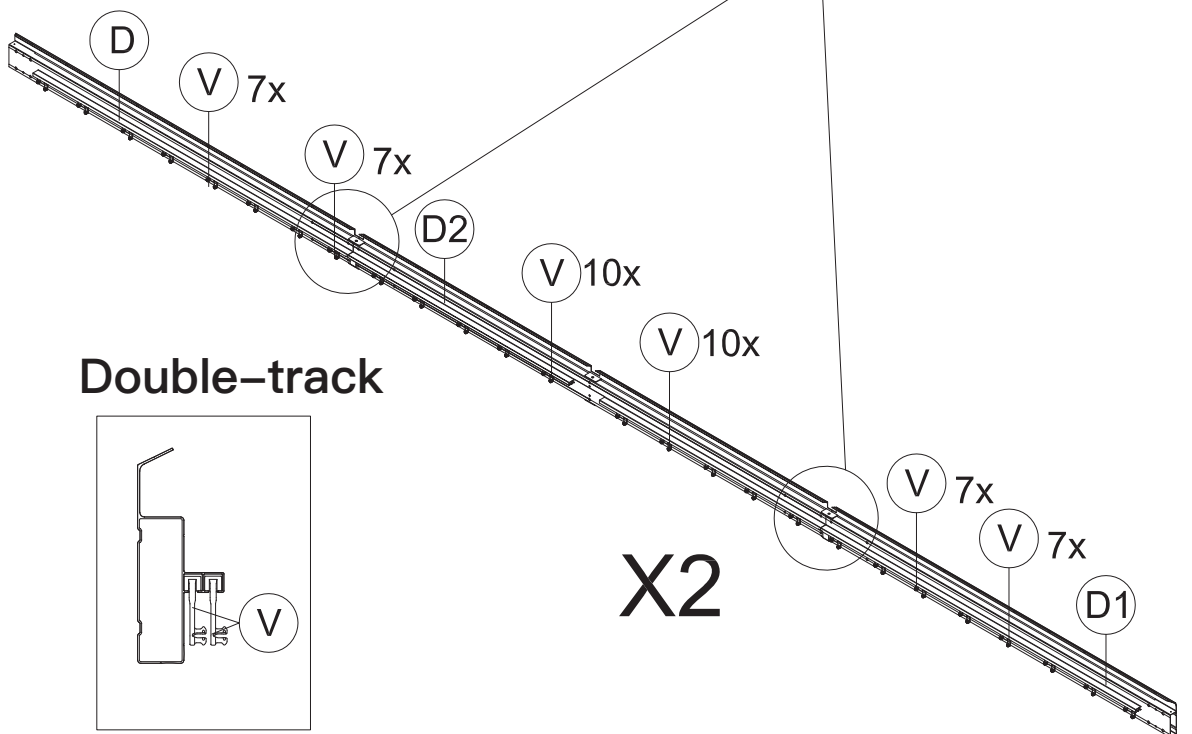
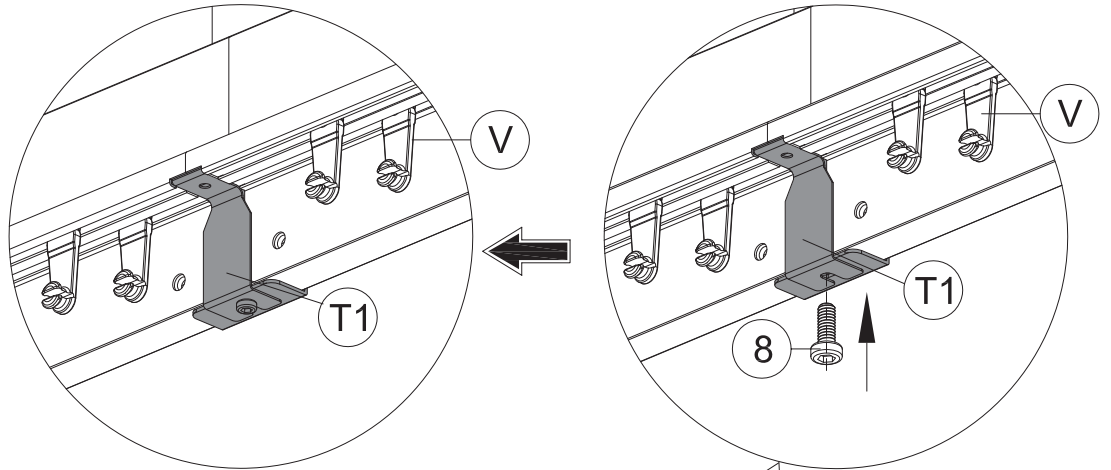
M6x16

8 4x

(1) Place 7 or 10 hooks on each slot of the Sidewall Track(D&D2&D1).

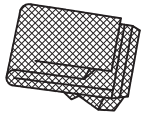


(2) Install Part #T1 at the joint of Part D&D2&D1 with Bolt #8.

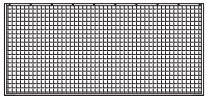


(3) Repeat the above procedures to assemble the opposite side.



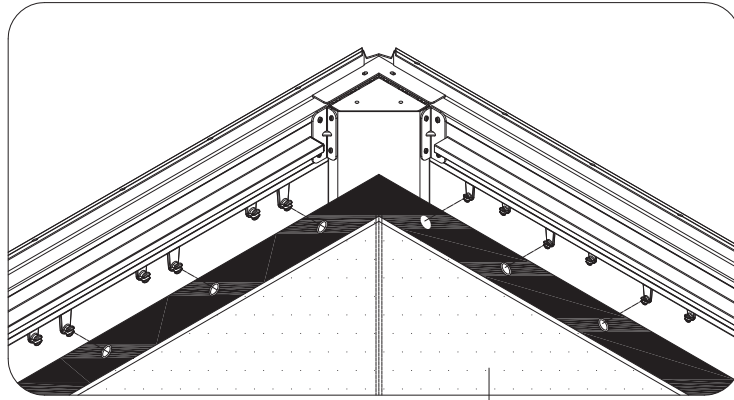


Y1 4x

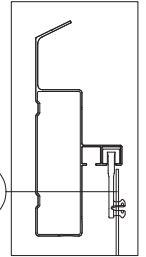


Y2 2x

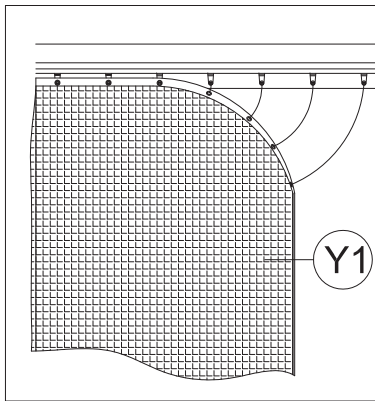
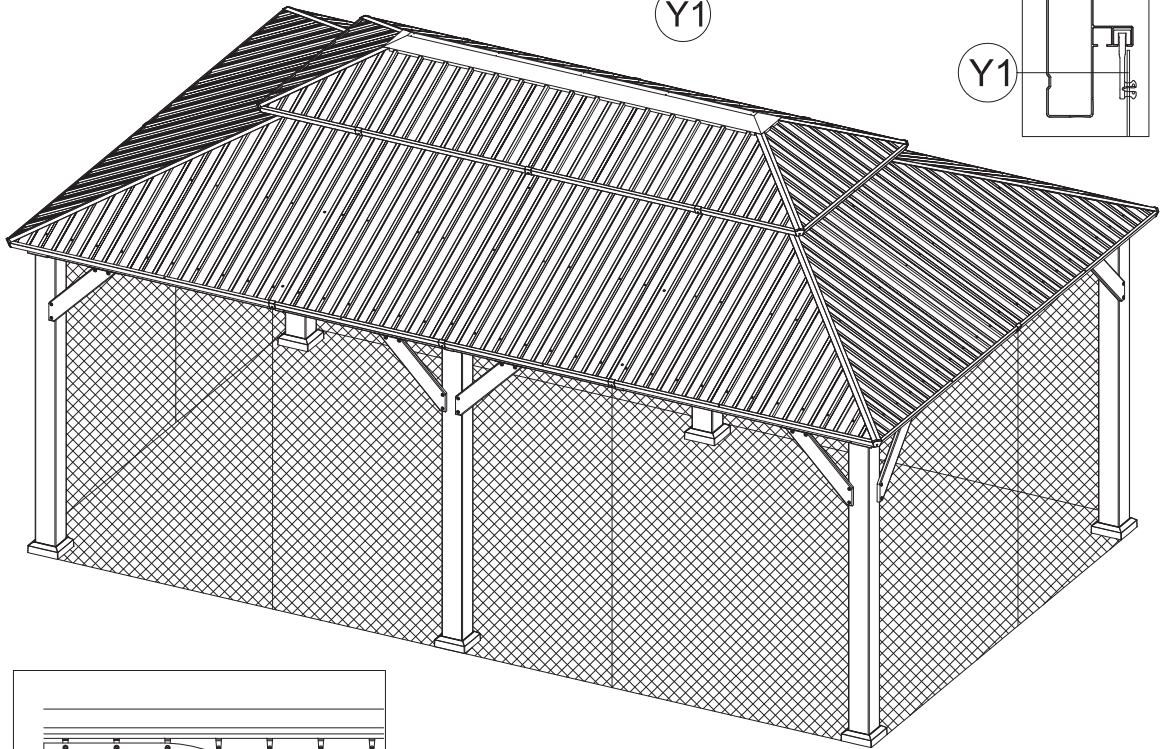
# Hang up Mosquito Sidewalls to **Inside Track**



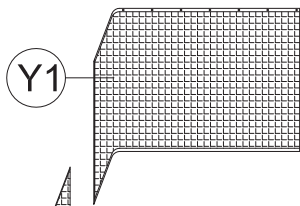
Y1



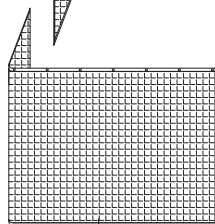
Y1



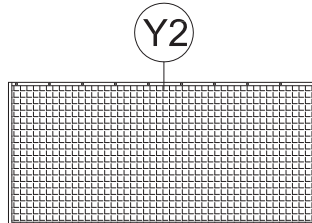
Y1



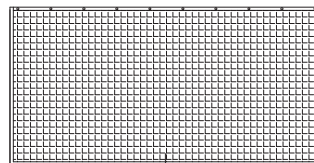
Y1



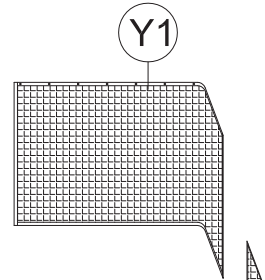
Y1



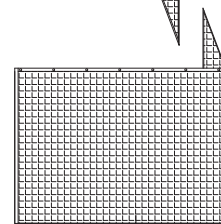
Y2



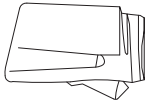
Y2



Y1



Y1

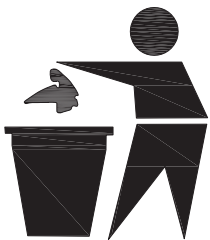
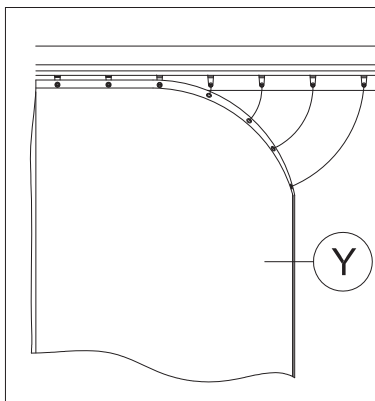
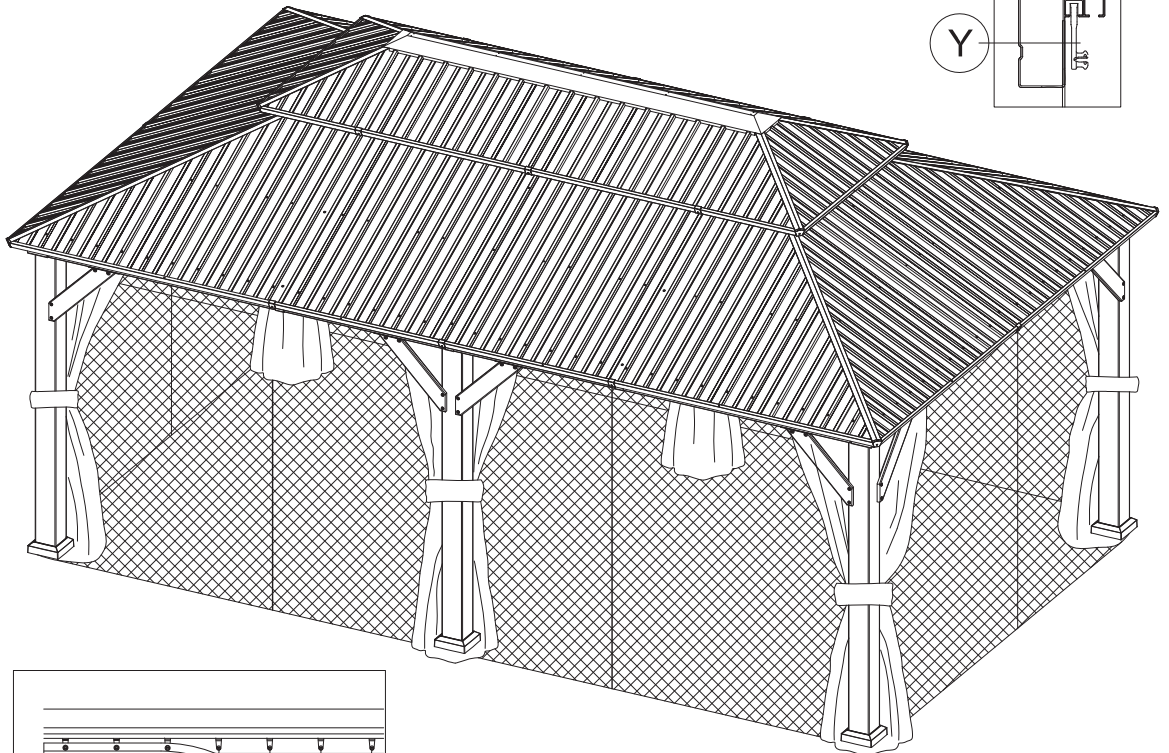
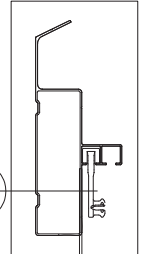
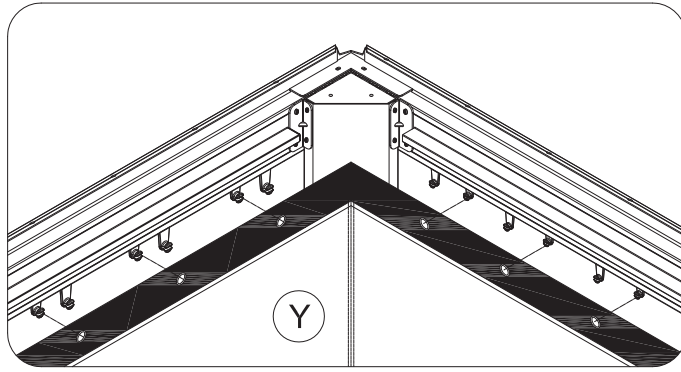


Y 4x

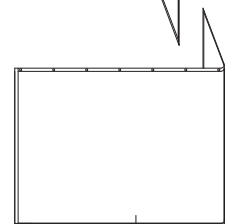
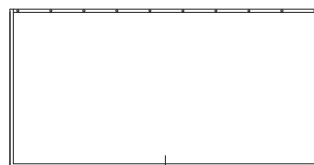
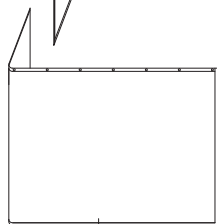
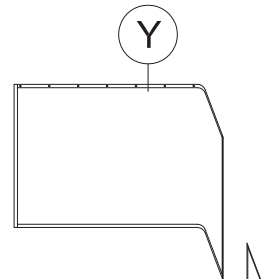
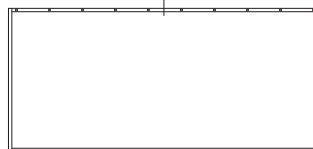
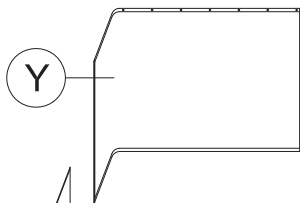


Y3 2x

# Hang up Solid Sidewalls to **Outside Track**



60



Y

Y3

Y



RESORT COMFORT IN YONR  
OWN BACKYARD

## Thanks for your purchase.

At domi outdoor living, we believe in our products.

That's why we provide a 12-month warranty and

friendly, easy-to-reach after-sales service. So if you

have any questions about our product and assembly-

, please feel free to contact us. We will be here for you.

**Support:**  

email: [service@domioutdoorliving.com](mailto:service@domioutdoorliving.com)

Please tell us your order ID when contact.

Attach photos of damaged part for instant reply.