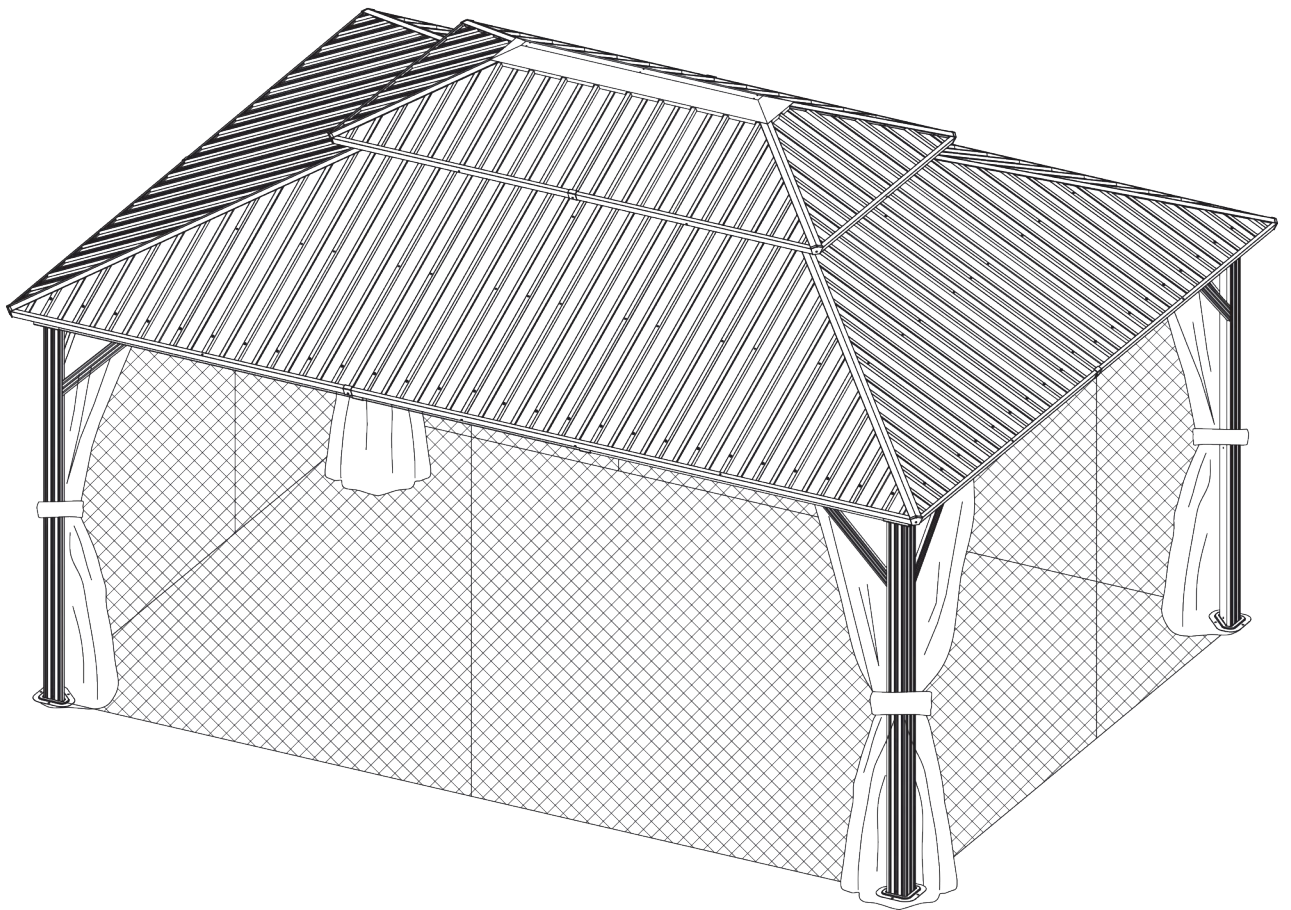




12' × 16' Metal Patio Gazebo

ASSEMBLY MANUAL



MODEL#: LGMF1598

Missing part? Damaged? Contact us via email at
service@domioutdoorliving.com

Pre-assembly



1. Two or more people are required for assembly.



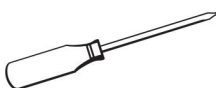
2. You will need one or more stepladders.



3. Wearing protective gloves is recommended.



4. You may need a safety hat.



5. Please use a Phillips screw driver.



6. For ease of construction, you may need a drill.



7. You may need a safety goggle.



8. Do not fully tighten screws prior to complete assembly.

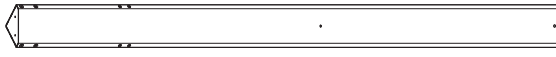
Warning & Attention

-Try to assemble this product on the flat ground, otherwise it is difficult to carry out;

-It would be much easier to assemble the product with three or more people;

-After assembly, please check whether all screws are tightened, to prevent parts from falling apart.

▲ Use bolts to secure the frame to the ground to against the strong wind.



A 4x Pole



C 2x Beam



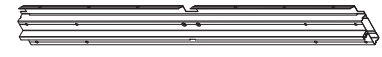
C1 2x Beam



D 2x Beam



D1 2x Beam



D2 2x Beam Connector



E 4x Corner Roof Bar



E1 4x Corner Roof Bar Connector



E2 8x Roof Bar



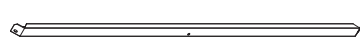
F 4x Solidfying Bar



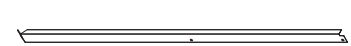
G 4x Solidfying Bar



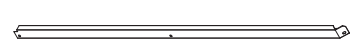
G1 4x Solidfying Bar



H 2x Finishing Bar



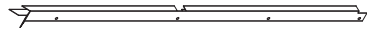
H1 2x Finishing Bar



H2 2x Finishing Bar



J 2x Finishing Bar



J1 2x Finishing Bar



J2 2x Finishing Bar



K 2x Finishing Bar



K1 2x Finishing Bar



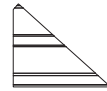
K2 2x Finishing Bar



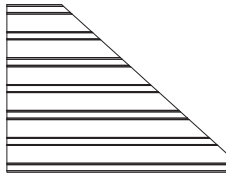
K3 2x Finishing Bar



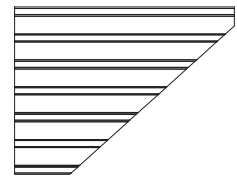
K4 2x Finishing Bar



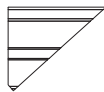
L1 2x Roof Panel



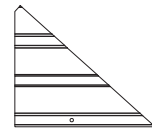
L2 2x Roof Panel



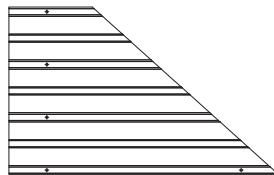
L3 2x Roof Panel



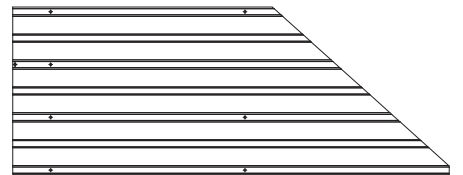
L4 2x Roof Panel



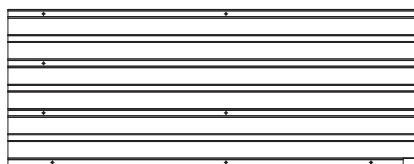
M1 2x Roof Panel



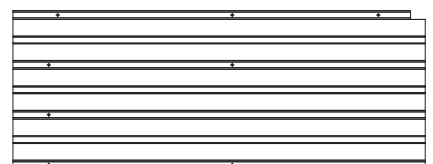
M2 2x Roof Panel



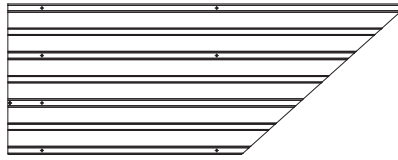
M3 2x Roof Panel



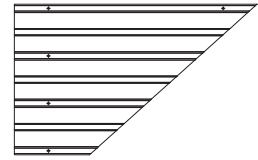
M4 2x Roof Panel



M5 2x Roof Panel



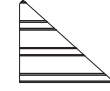
(M6) 2x Roof Panel



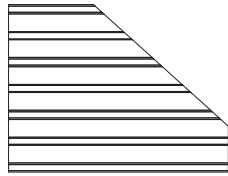
(M7) 2x Roof Panel



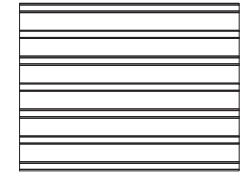
(M8) 2x Roof Panel



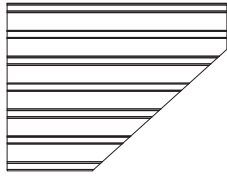
(N1) 2x Roof Panel



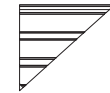
(N2) 2x Roof Panel



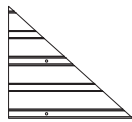
(N3) 4x Roof Panel



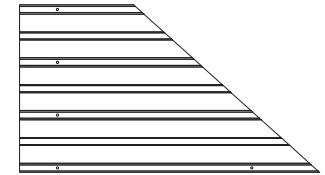
(N4) 2x Roof Panel



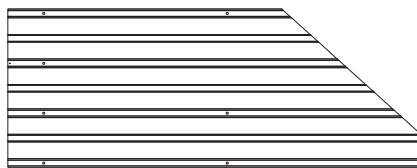
(N5) 2x Roof Panel



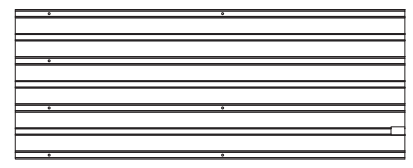
(P1) 2x Roof Panel



(P2) 2x Roof Panel



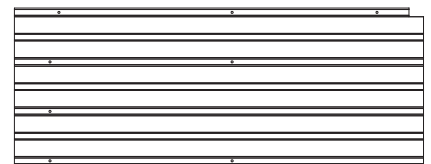
(P3) 2x Roof Panel



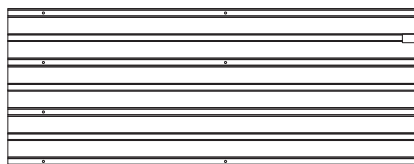
(P4) 2x Roof Panel



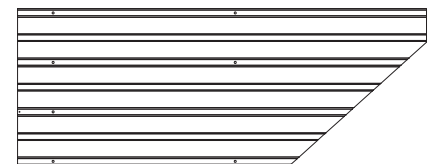
(P5) 2x Roof Panel



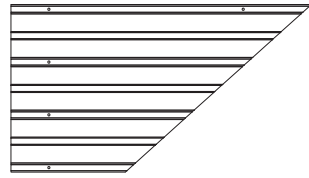
(P6) 2x Roof Panel



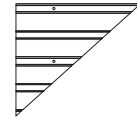
(P7) 2x Roof Panel



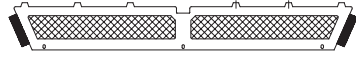
(P8) 2x Roof Panel



P9 2x Roof Panel



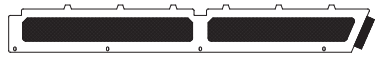
P10 2x Roof Panel



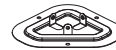
Q 2x Net Frame



Q1 2x Net Frame



Q2 2x Net Frame



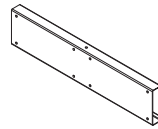
B 4x Base



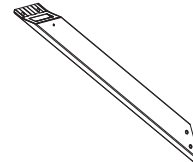
B1 8x Joint Cover



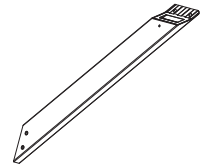
B2 8x Joint Cover



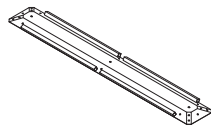
C2 6x Union Bar



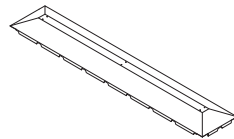
R 4x Corner Solidifying Bar



R1 4x Corner Solidifying Bar



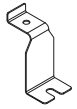
S 1x Inside Roof Connector



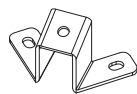
S1 1x Outside Roof Connector



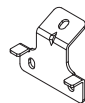
T 3x J-Hook



T1 4x Bracket



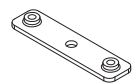
U 4x Bracket



U1 8x Bracket



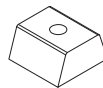
U2 4x Bracket



U3 8x Joint Cover



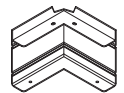
V 128x Hook



W 140x Spacer



X 6x Bracket



X1 4x Corner Cover



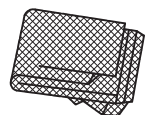
X2 10x Finishing End



X3 12x Finishing End



Y 4x Solid Sidewall



Y1 4x Mosquito Sidewall



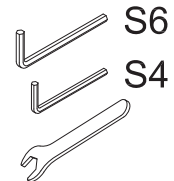
Z 76x Plastic Bracket



Z1 4x Plastic Bracket



Z2 4x Plastic Bracket



1 1x



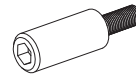
ST6.3x15

2 12x



ST5x16

3 24x



M6x15

4 32x



M6

5 144x



M5x12

6 16x



M6x10

7 28x



M6x16

8 242x



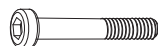
M6x25

9 8x



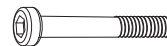
M6x28

10 88x



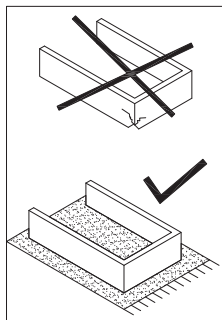
M6x45

11 4x


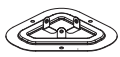
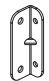
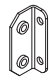

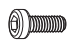
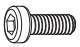


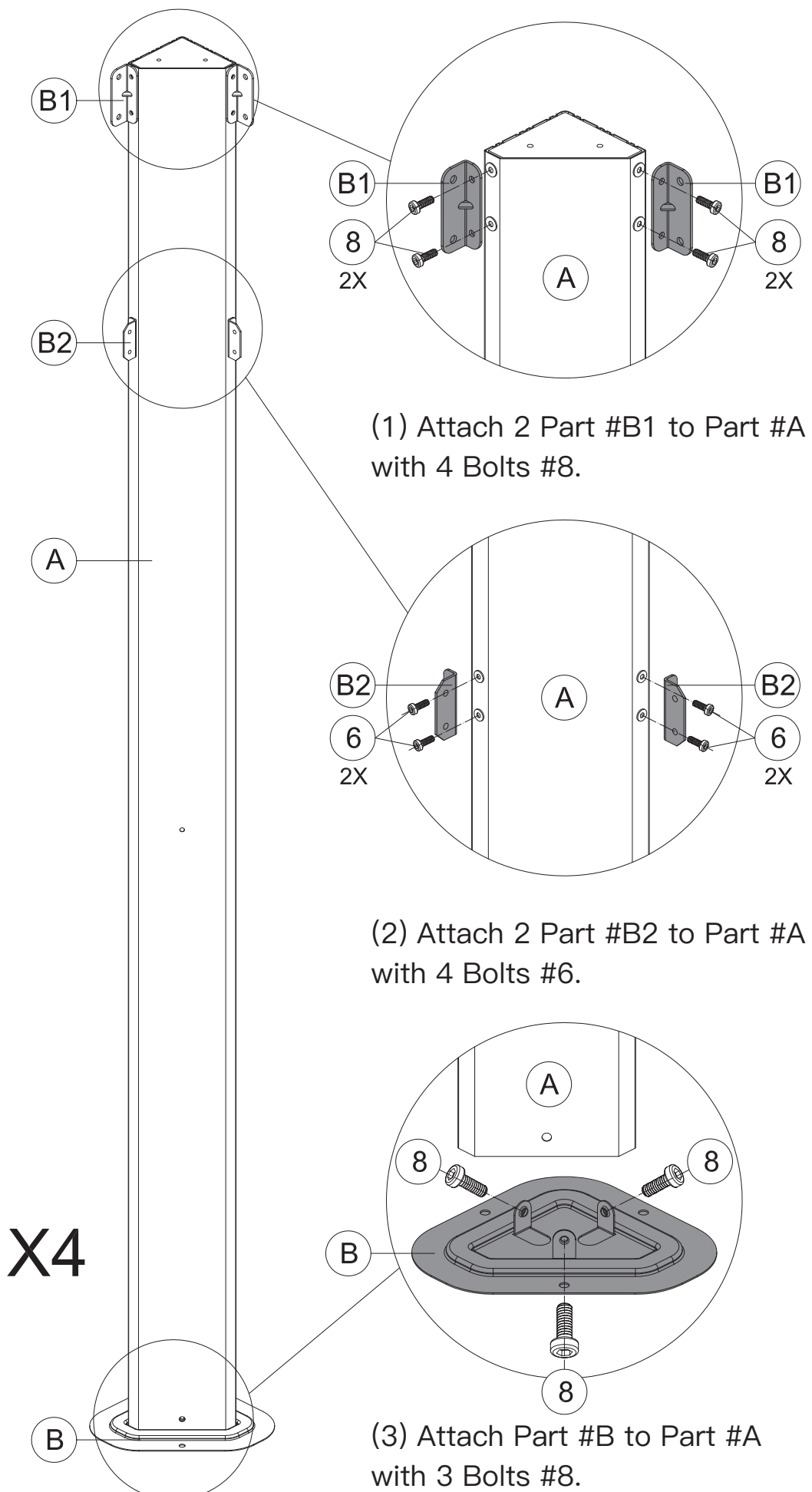
M6x50

12 40x

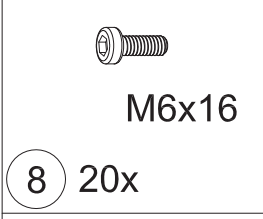
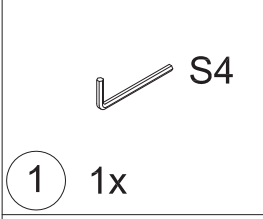
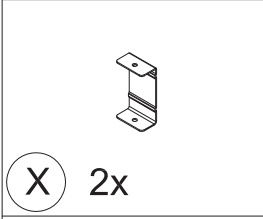
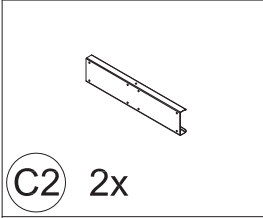
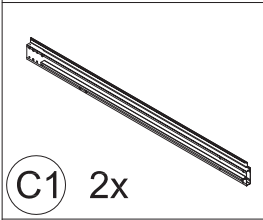
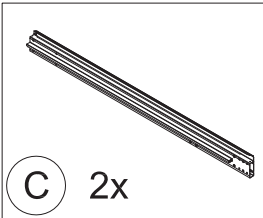


5

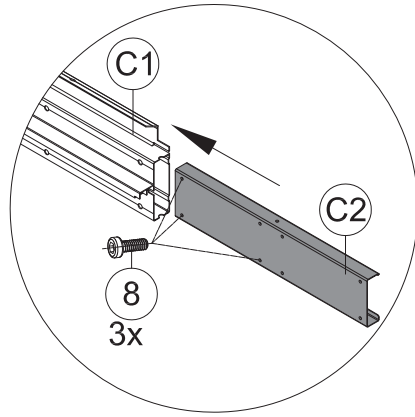
	A 4x
	B 4x
	B1 8x
	B2 8x
	S4
1 1x	
	6 16x M5x12
	8 28x M6x16
6	



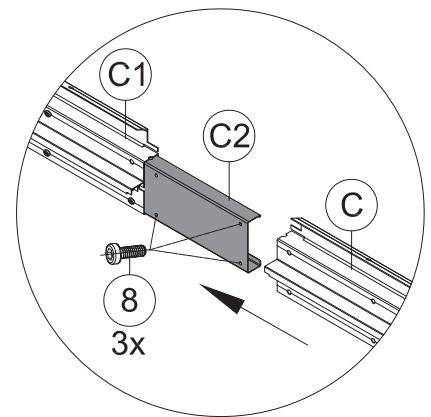
(4) Repeat the above procedures to assemble the other 3 Part #A.



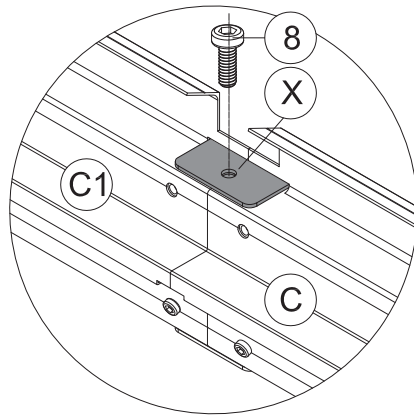
7



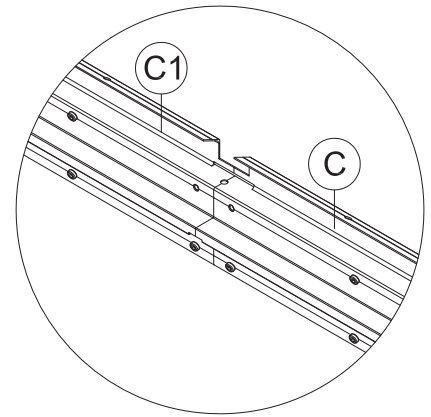
(1) Insert Part #C2 into Part #C1 and secure with 3 Bolts #8.



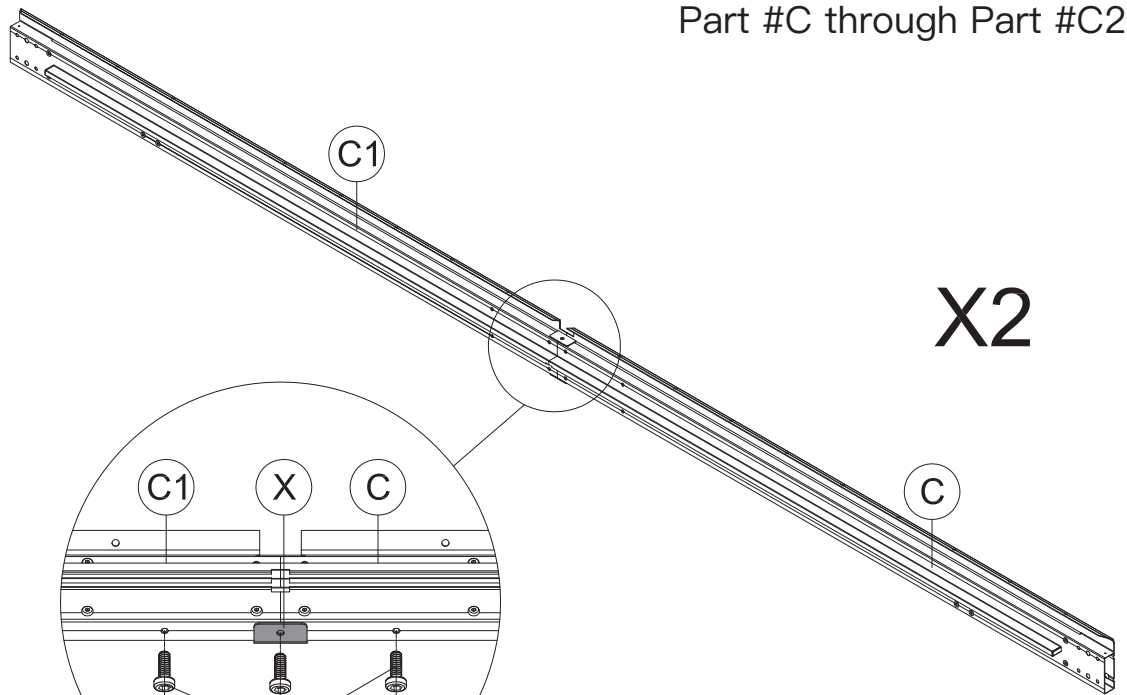
(2) Insert the other side of Part #C2 into Part #C and secure with 3 Bolts #8.



(4) Insert Part #X into the beam.

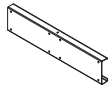
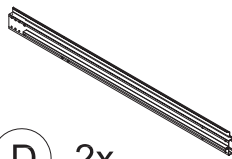
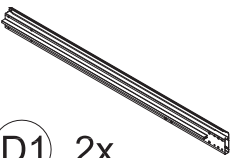
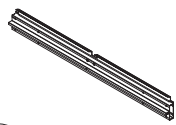







(3) Connect Part #C1 and Part #C through Part #C2.

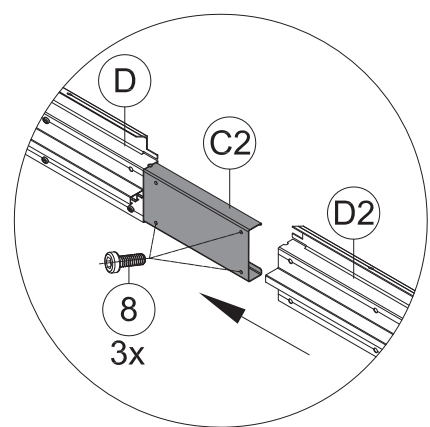


(5) Secure the bottom of Part #X and Part #C/C1 with 3 Bolts #8.

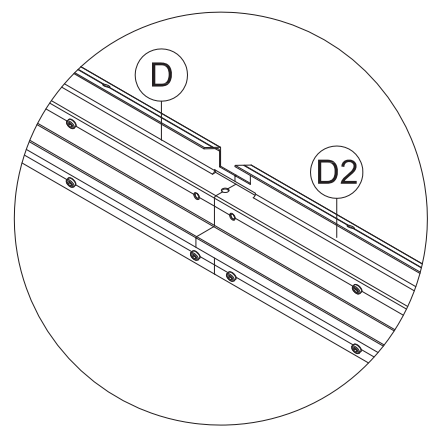
(6) Repeat the above procedures to assemble the other Part #C and Part #C1.

-  C2 4x
-  D 2x
-  D1 2x
-  D2 2x
-  X 4x
-  S4
-  1 1x
-  M6x16
-  8 40x
- 8**

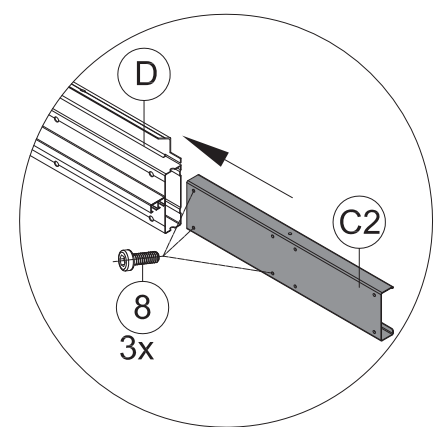
(2) Insert the other side of Part #C2 into Part #D2 and secure with 3 Bolts #8.



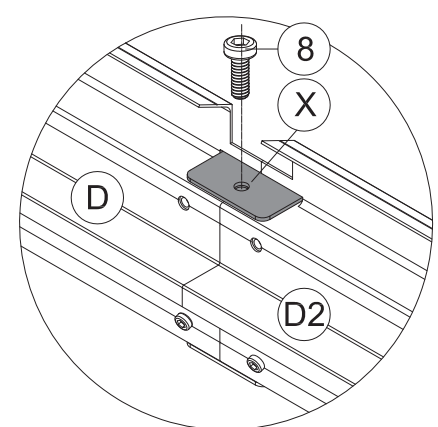
(3) Connect Part #D and Part #D2 through Part #C2.



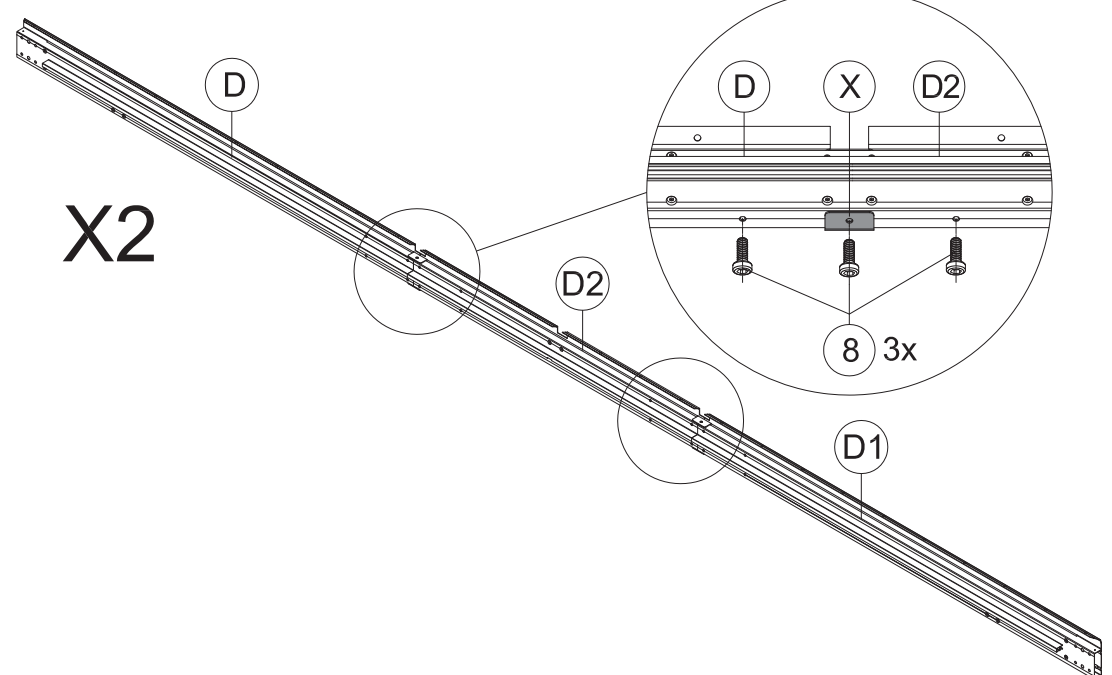
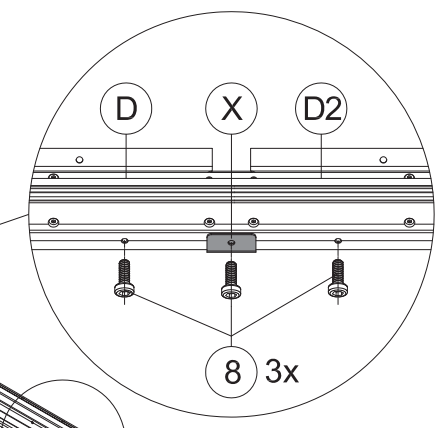
(1) Insert Part #C2 into Part #D, and secure with 3 Bolts #8.



(4) Insert Part #X into the beam and secure with 1 Bolt #8.



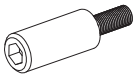
(5) Secure the bottom of Part #X and Part #D/D2 with 3 Bolts #8.



(6) Repeat the above procedures to assemble the other Part #D & #D1 & #D2.

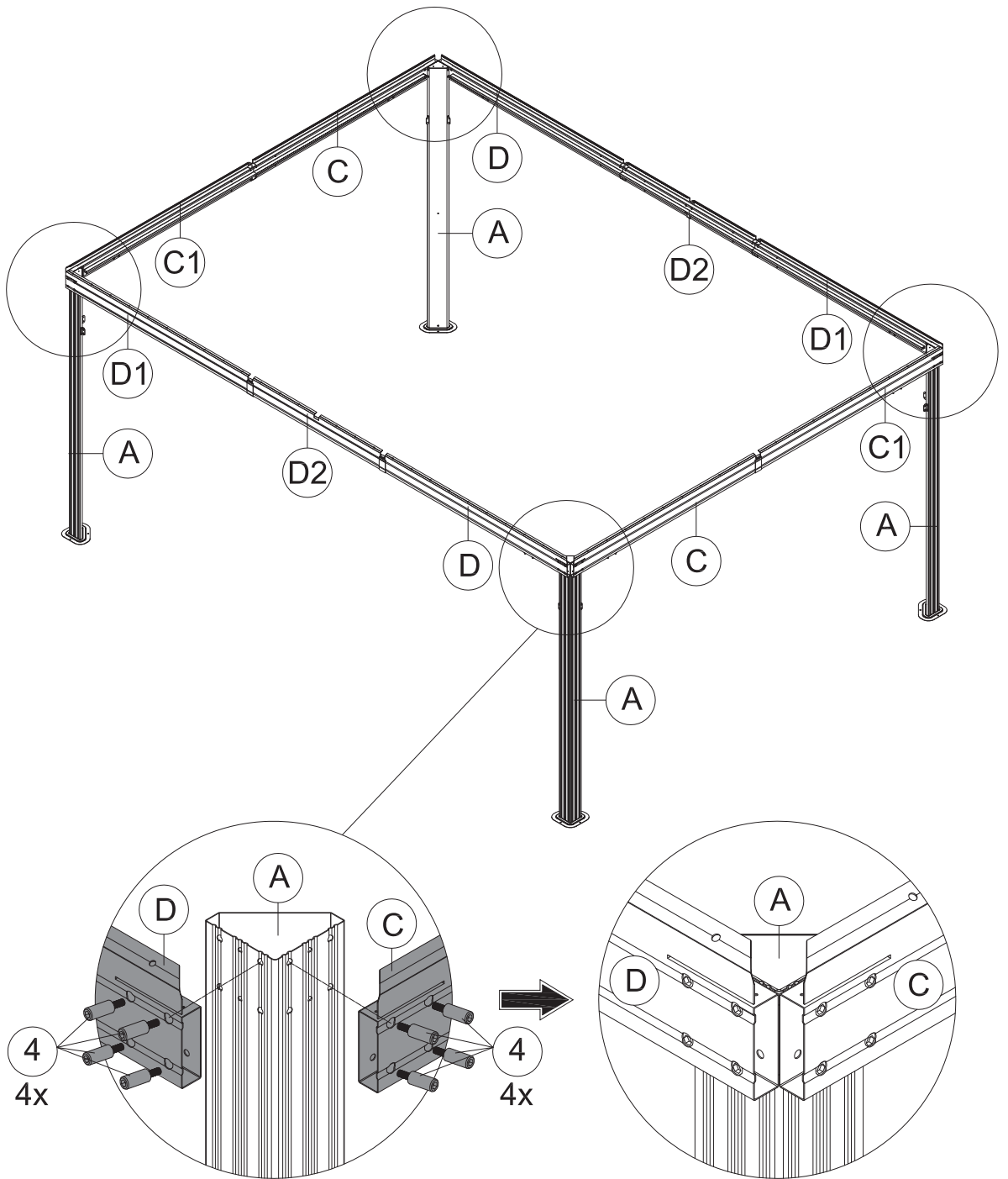


1 1x



M6x15

4 32x



(1) Connect Part #C/C1 and #D/D1 to Part #A with 8 Bolts #4.
(From Outside)

(2) Repeat the above procedures to assemble the other 3 corners.

▲ Please don't tighten all bolts.

✓ S4

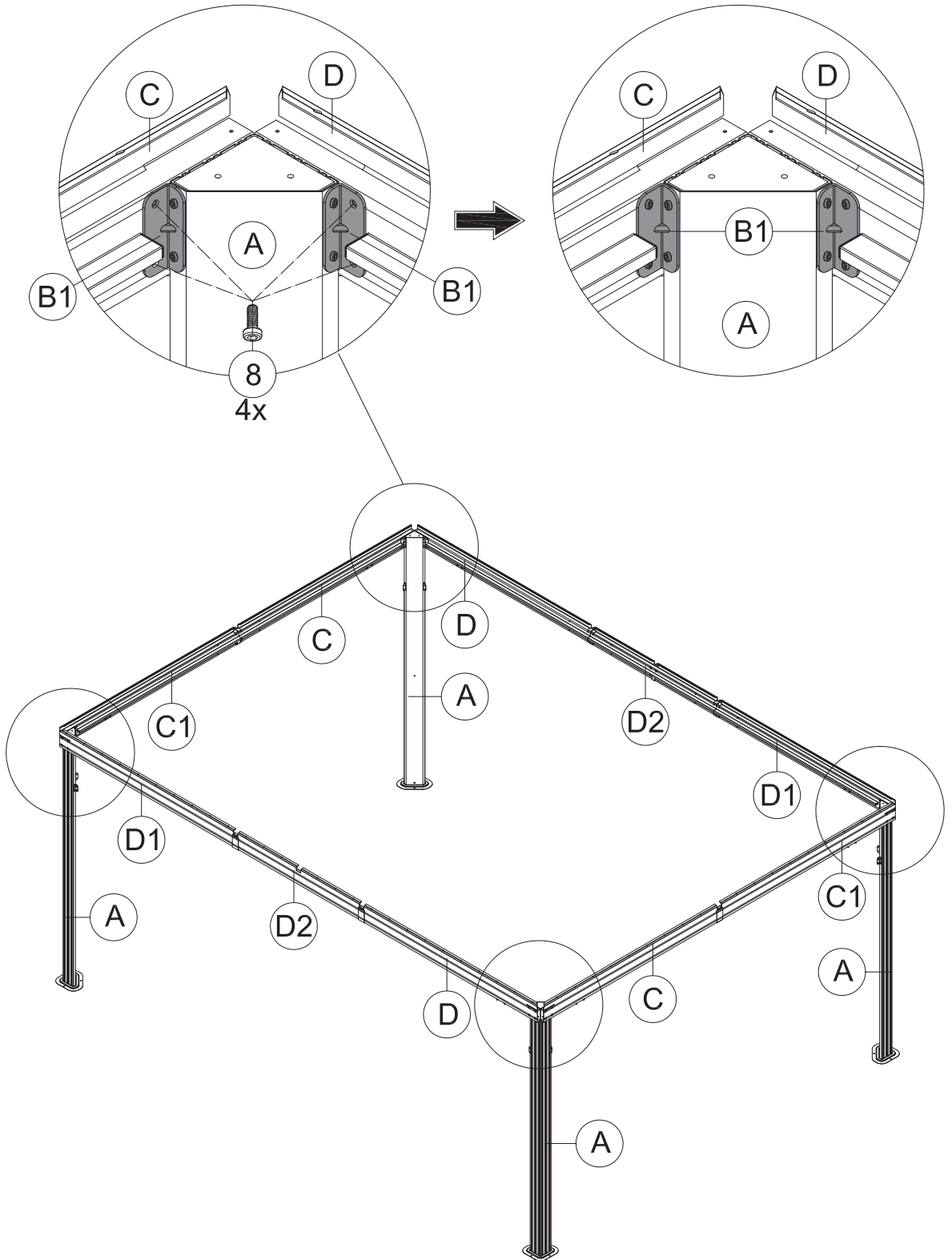
1 1x



M6x16

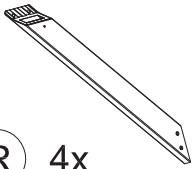
8 16x

(1) Connect Part #C/C1 and #D/D1 to Part #A with 4 Bolts #8.
(From Inside)

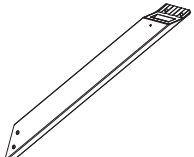


Repeat the above procedures to assemble the other 3 corners.

▲ Please don't tighten all bolts.



R 4x



R1 4x



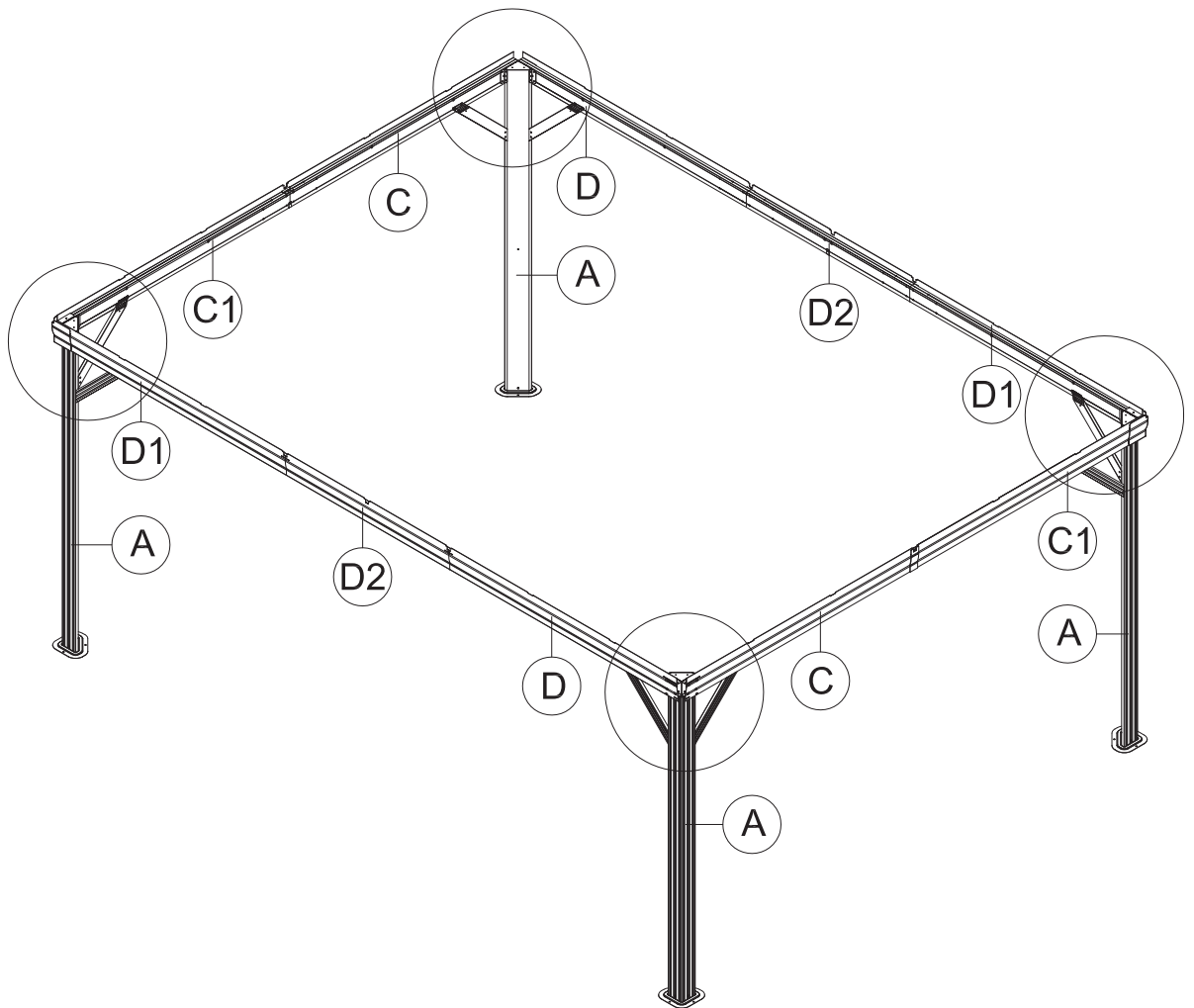
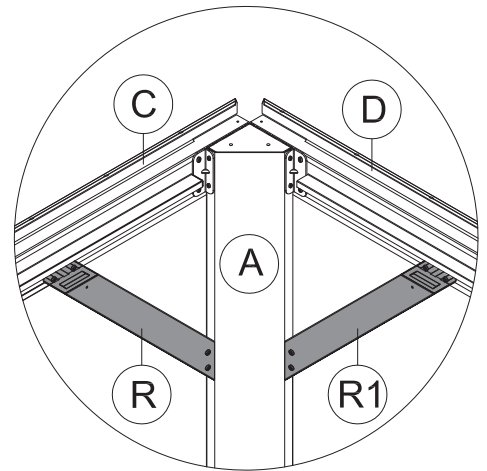
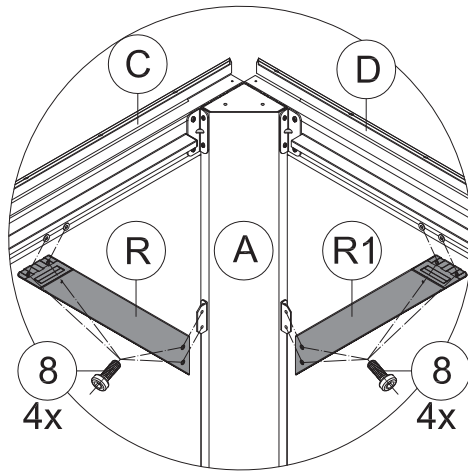
1 1x



M6x16

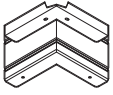
8 32x

(1) Affix Part #R and Part #R1 to the frame with 8 Bolts #8.



Repeat the above procedures to assemble the other 3 corners.

▲ Please don't tighten all bolts.

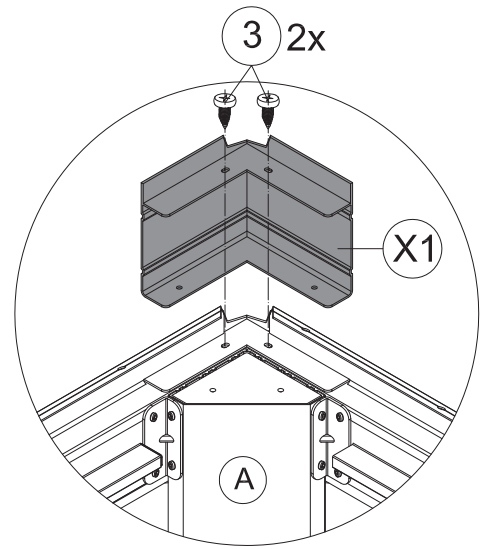
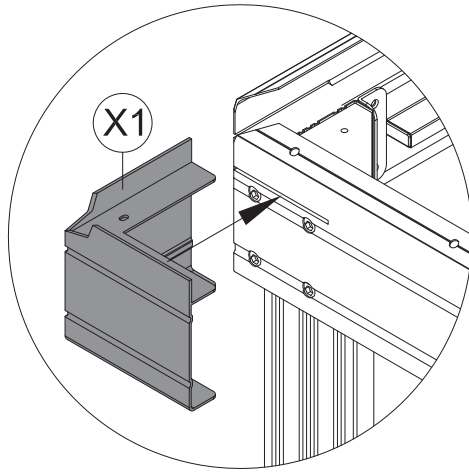


X1 4x



ST5x16

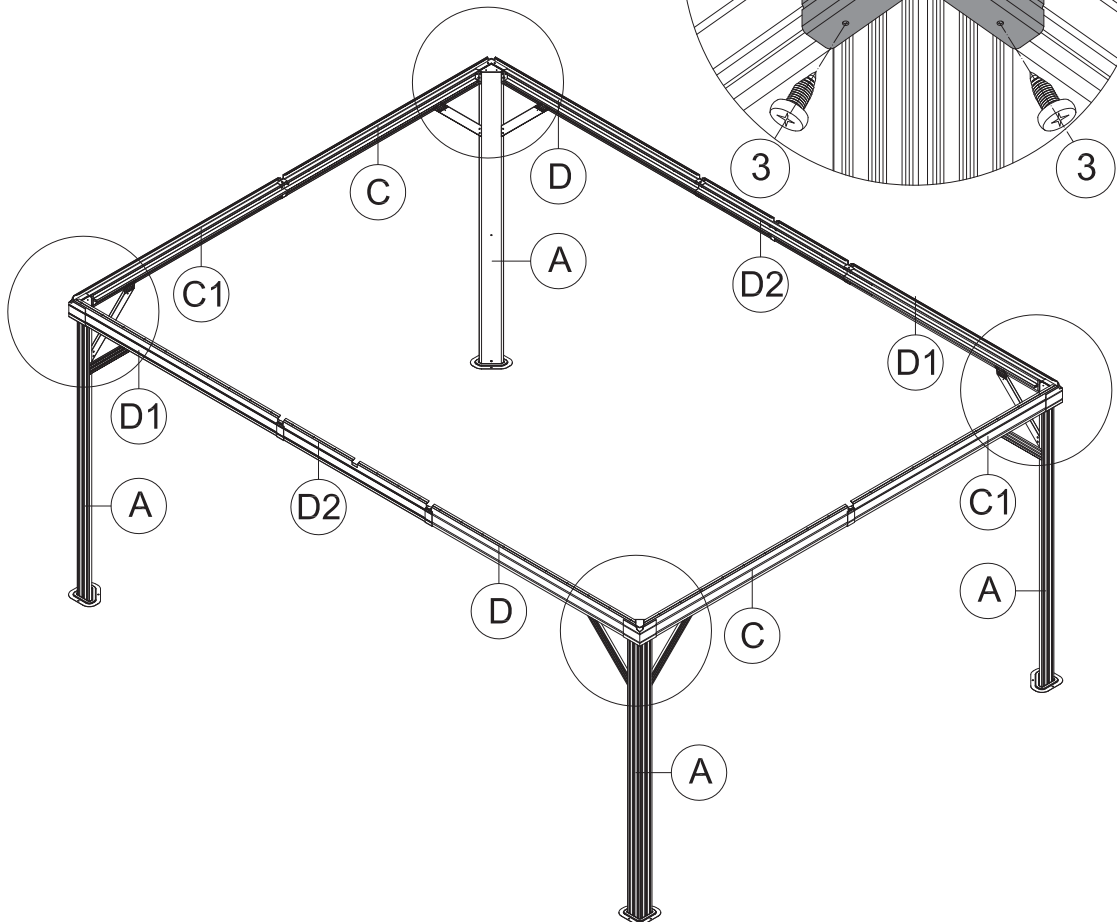
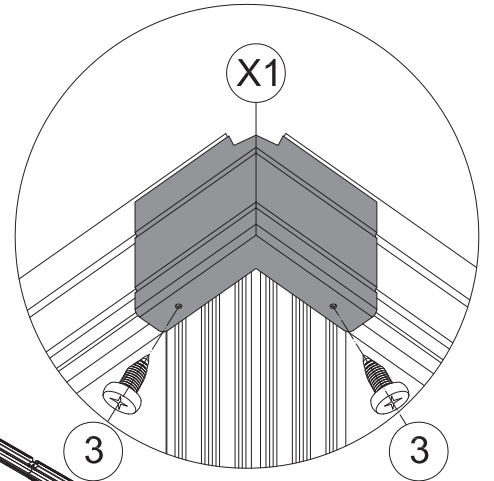
3 16x



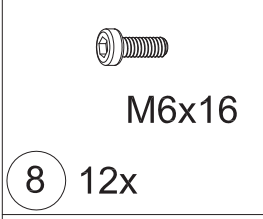
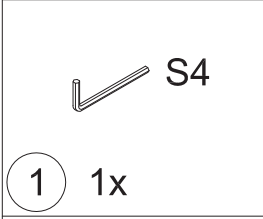
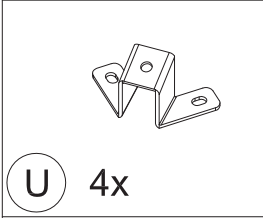
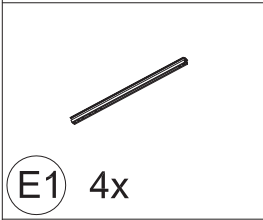
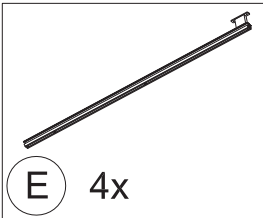
(1) Cover the corner with Part #X1. (2) Secure with 2 Self-tapping Screws #3. (from top to bottom)



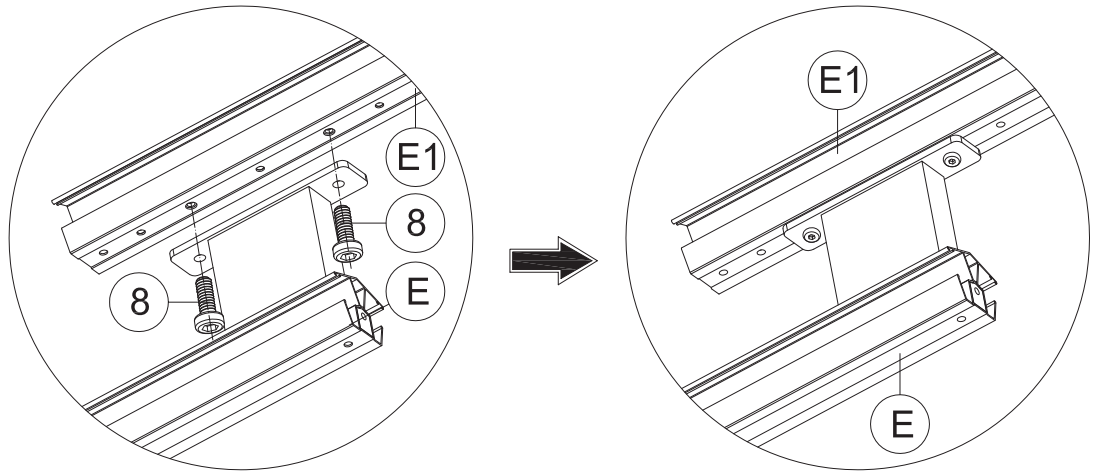
(3) Secure with 2 Self-tapping Screws #3. (from bottom to top)



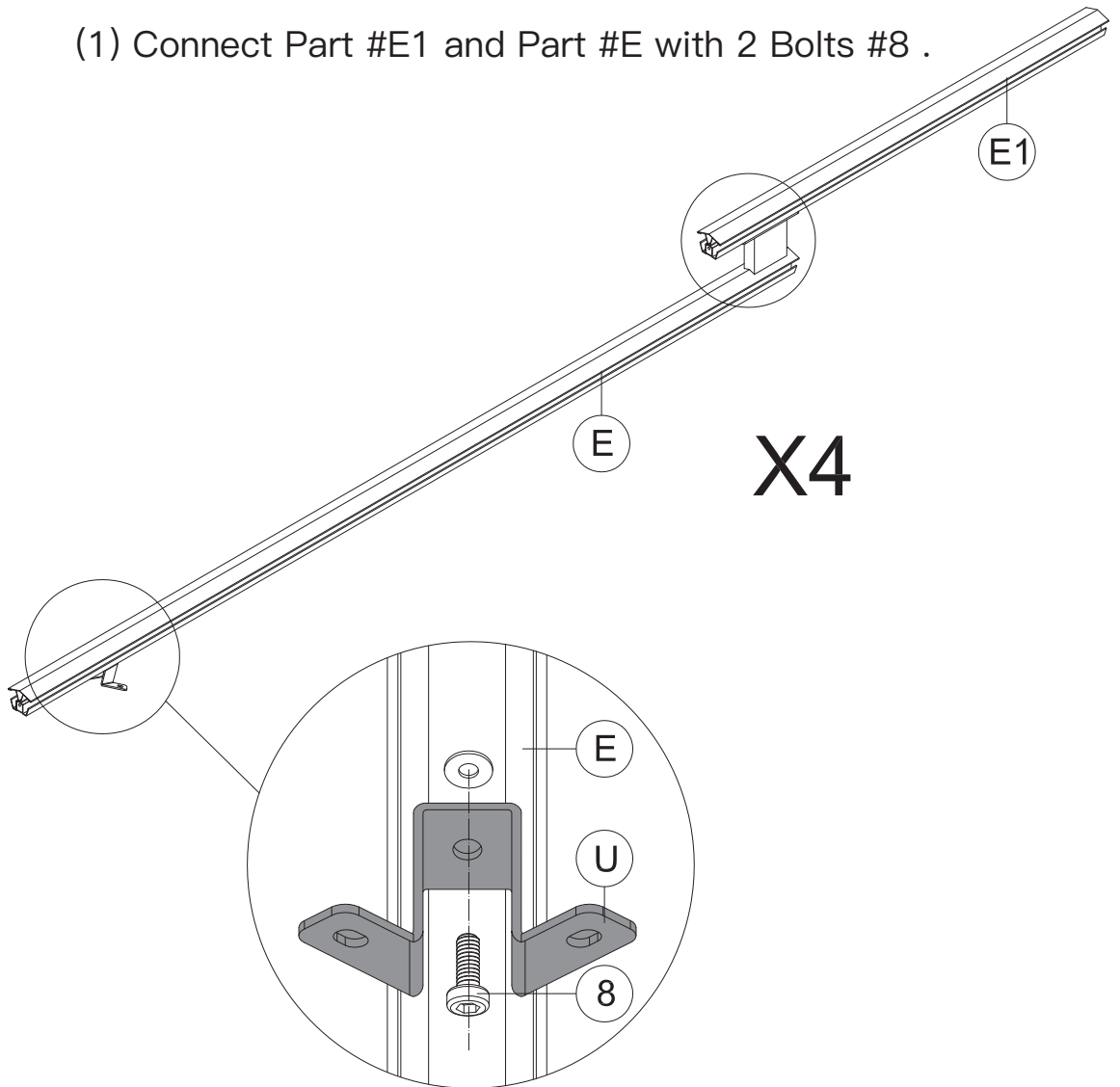
Repeat the above procedures to assemble the other 3 corners.
▲ Tighten all bolts.



Assemble the 4 Corner Roof Bars:

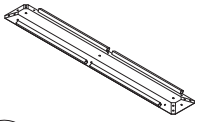


(1) Connect Part #E1 and Part #E with 2 Bolts #8 .



(2) Attach Part #U to Part #E with Bolt #8 .

(3) Repeat the above procedures to assemble the other 3 corner roof bars.



S 1x



1 1x

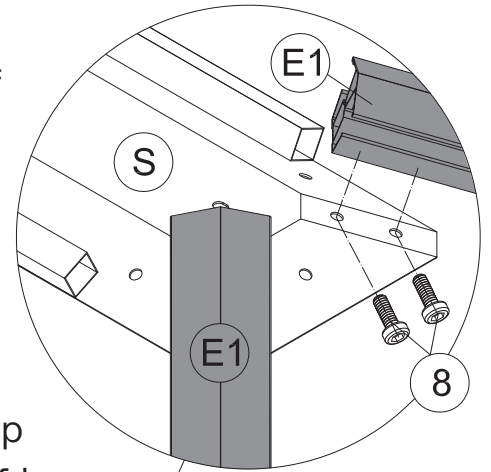


M6x16

8 16x

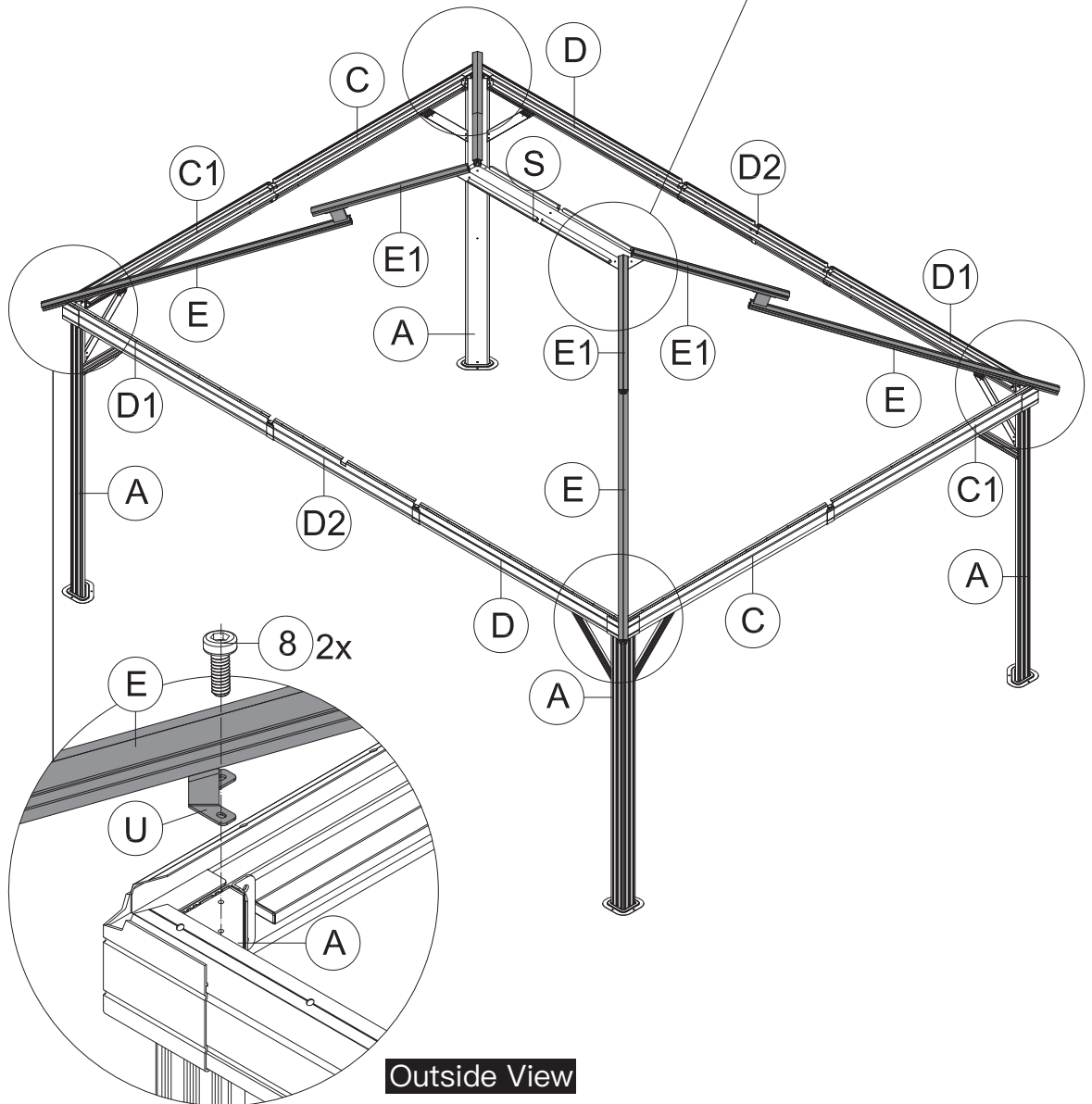
Please have a freestanding ladder ready at the center of the gazebo.

(1) Place 4 Part #E1 on the 4 corners of Part #S. Secure with 8 Bolts #8. (from bottom to top)



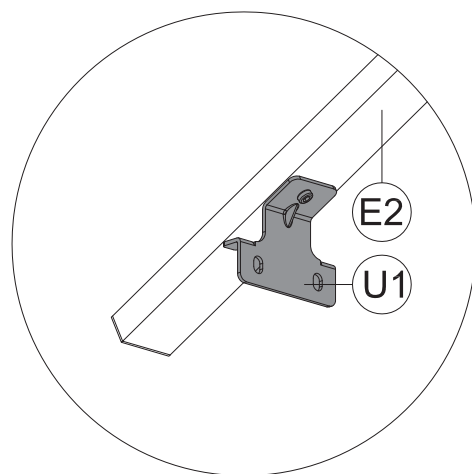
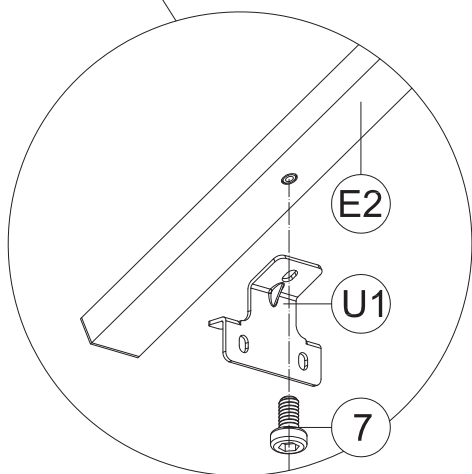
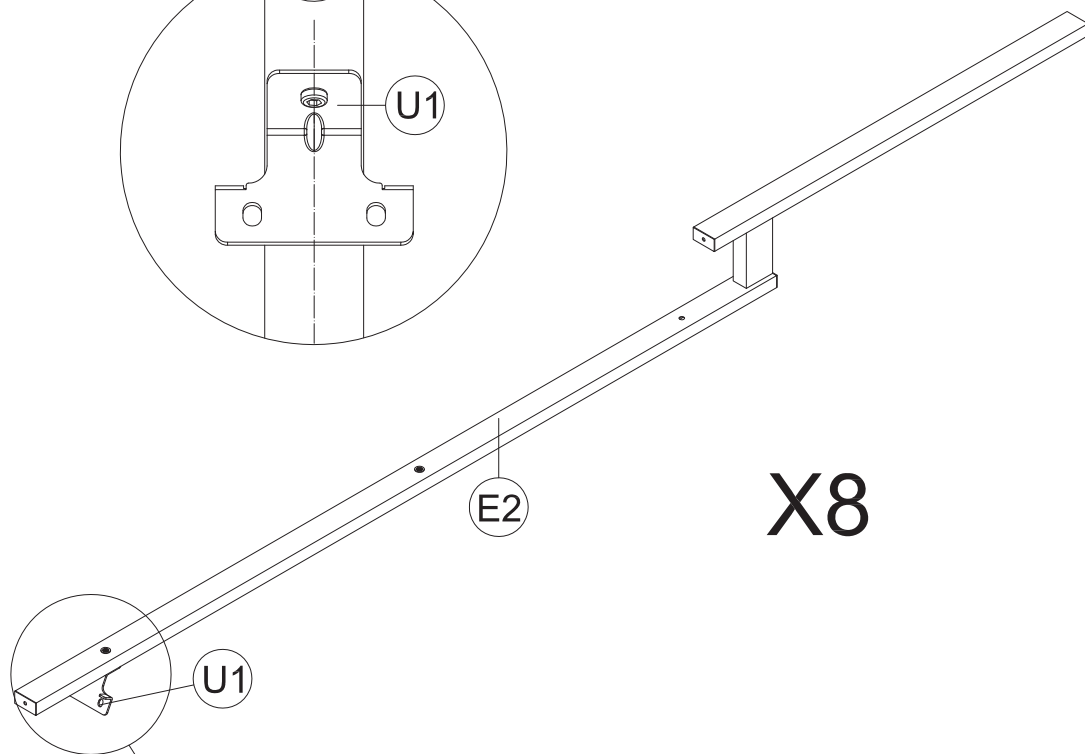
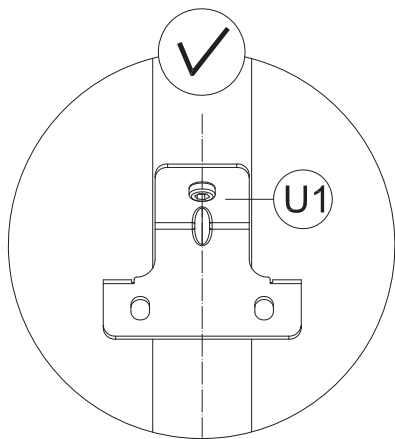
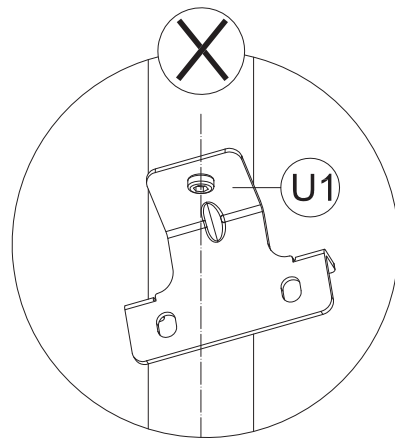
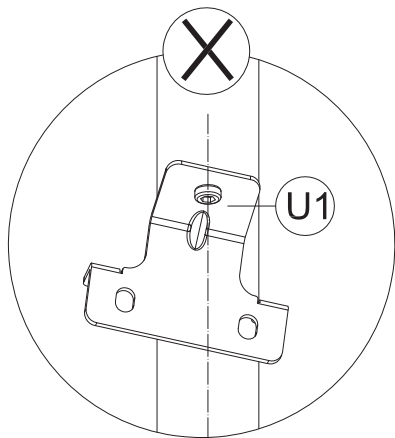
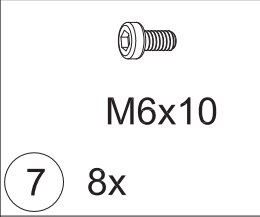
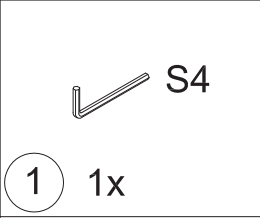
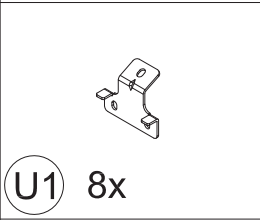
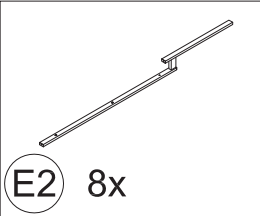
Outside View

ATTENTION: You can also finish this step on the ground and then lift 4 corner roof bars and inside roof connector to the top together. (Need 2 people and 2 ladders)



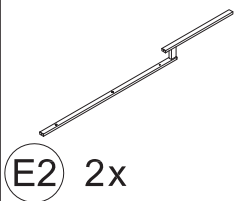
Outside View

(2) Place 4 Part #E on 4 Part #A; Secure with 8 Bolts #8.



(1) Attach Part #U1 to Part #E2 with Bolt #7 .

(2) Repeat the above procedures to assemble the other 7 roof bars.



E2 2x



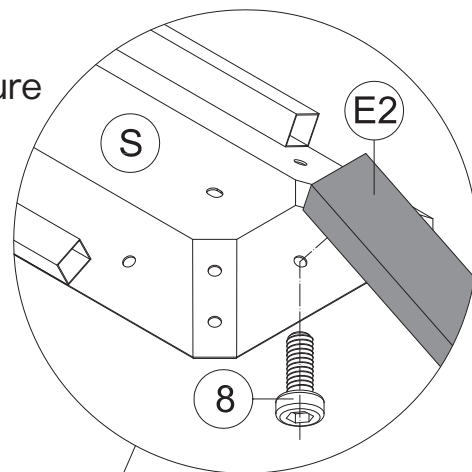
1 1x



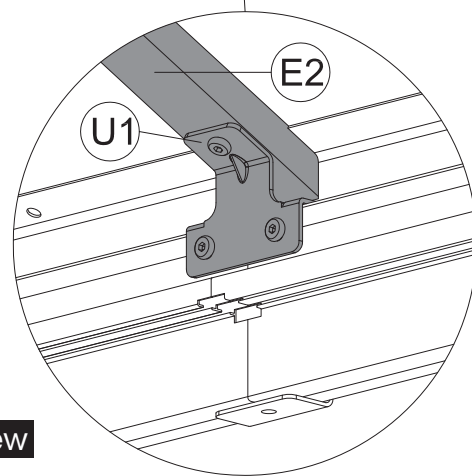
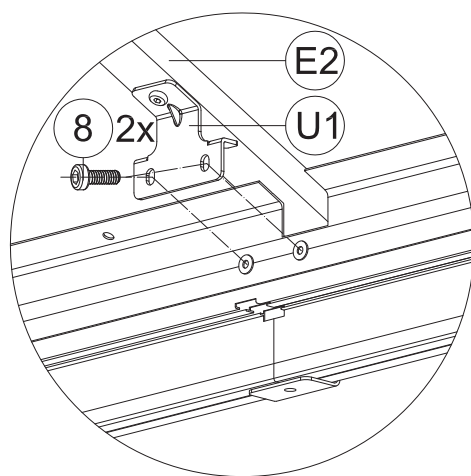
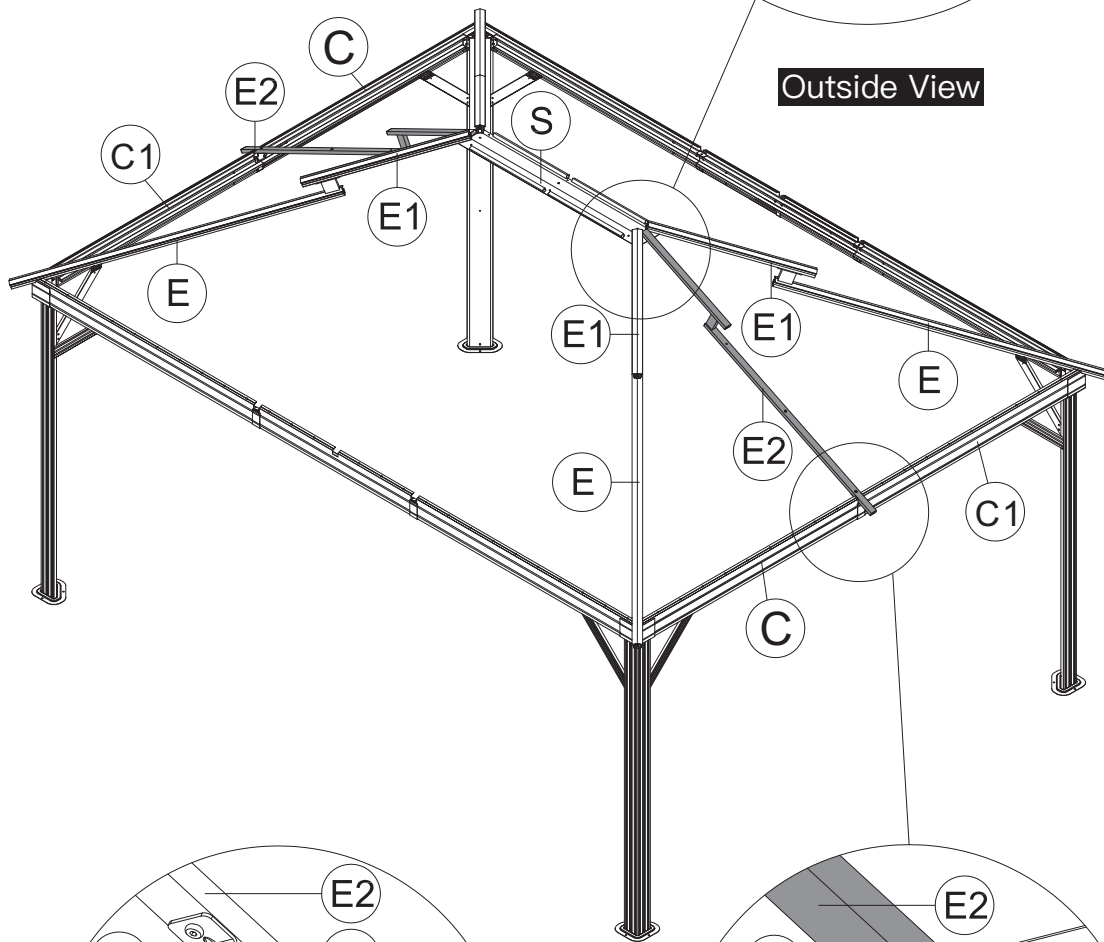
M6x16

8 6x

(1) Place Part #E2 on part #S. Secure with Bolt #8 (from bottom to top).



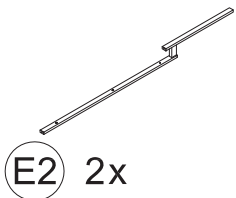
Outside View



Inside View

(2) Connect Part #E2 and the Assembled Beam (C&C1) with part #U1; Secure with 2 Bolts #8.

(3) Repeat the above procedures to assemble the opposite side.



E2 2x



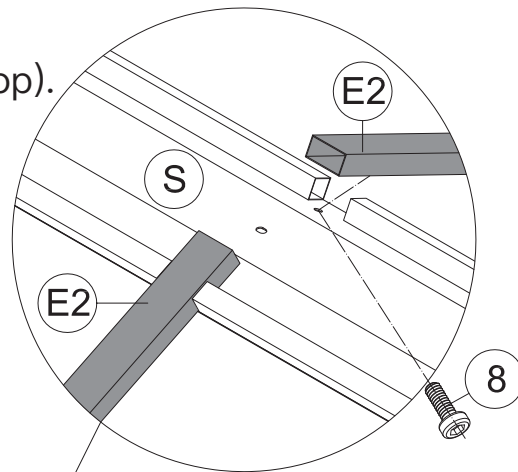
1 1x



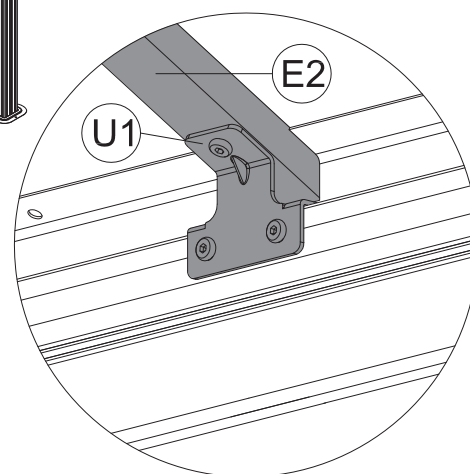
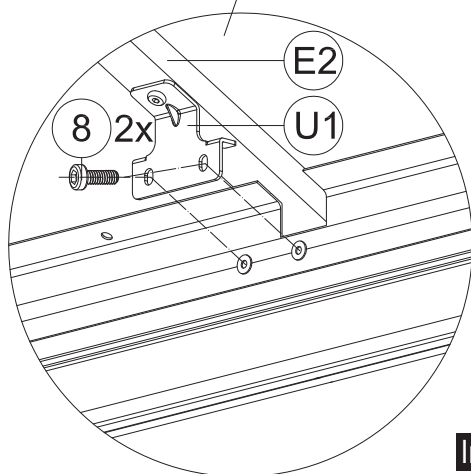
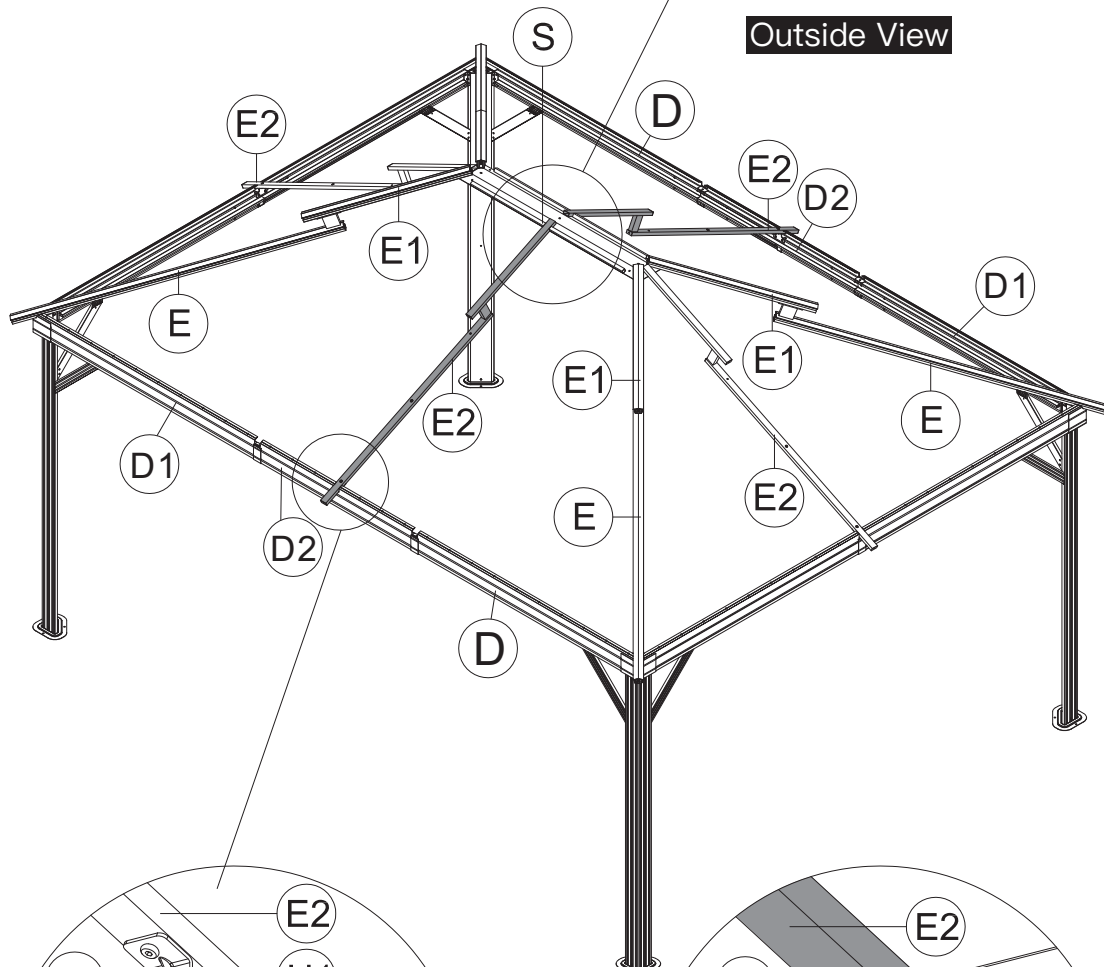
M6x16

8 6x

(1) Place Part #E2 on Part #S.
Secure with Bolt #8 (from bottom to top).



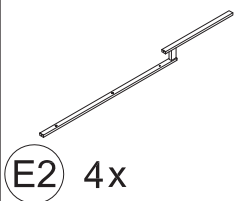
Outside View



Inside View

(2) Connect Part #E2 and the Assembled Beam (D1&D2&D)
with part #U1. Secure with 2 Bolts #8.

(3) Repeat the above procedures to assemble the opposite side.



E2 4x



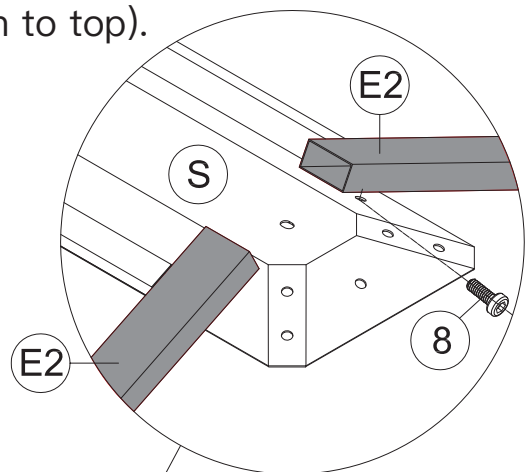
1 1x



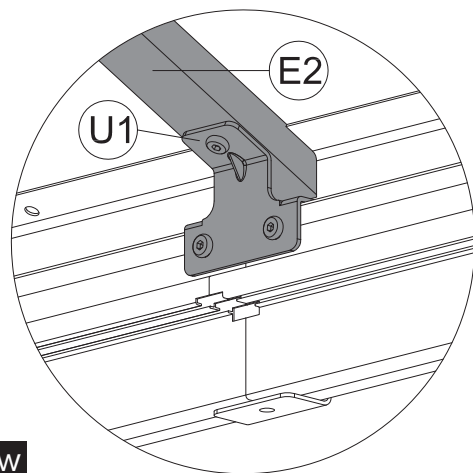
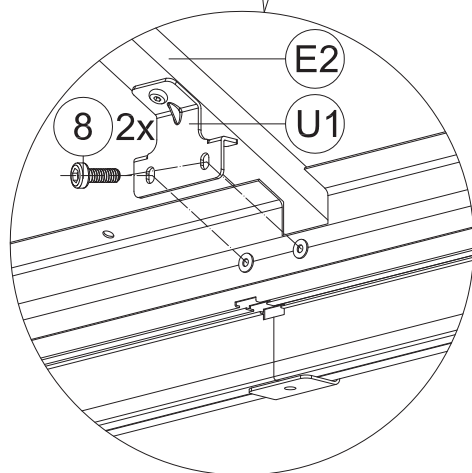
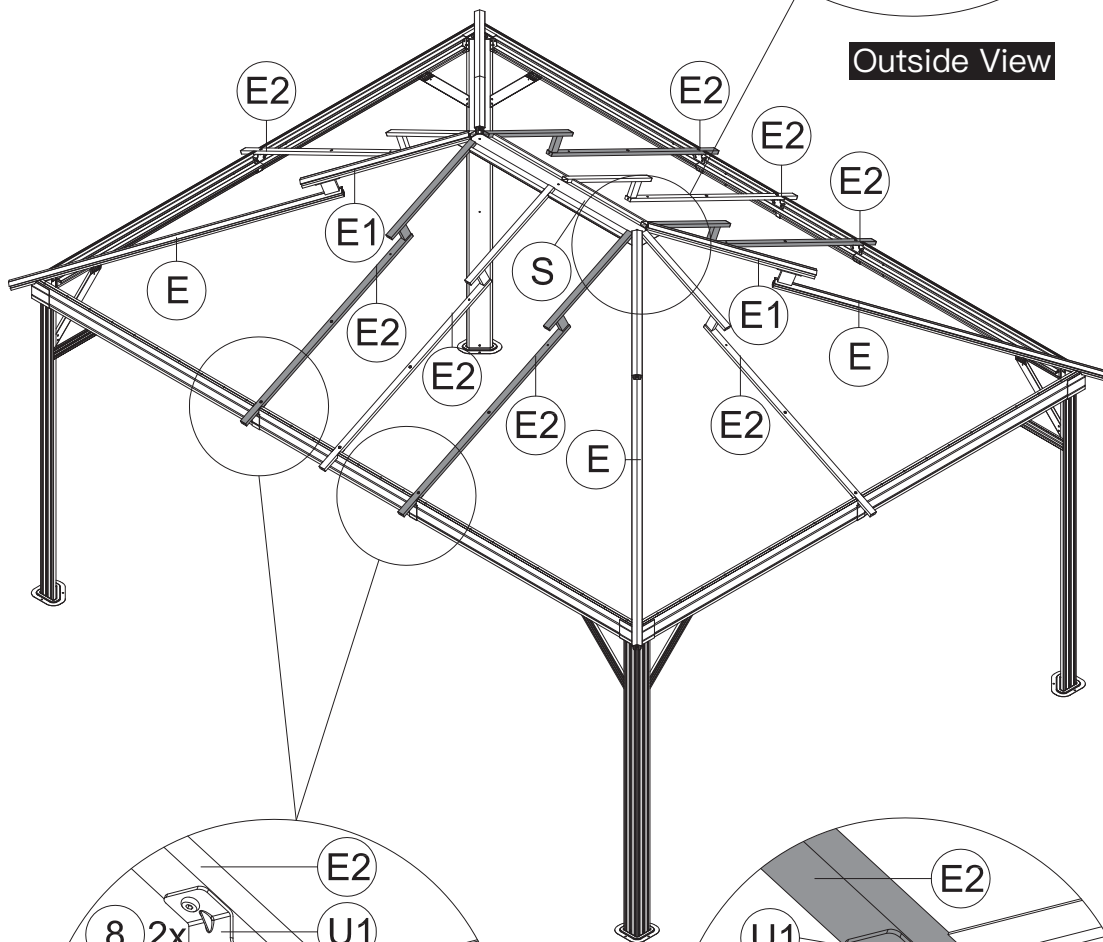
M6x16

8 12x

(1) Place 2 Part #E2 on Part #S.
Secure with 2 Bolts #8 (from bottom to top).



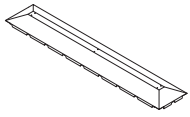
Outside View



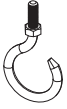
Inside View

(2) connect 2 Part #E2 and the Assembled Beam with 2 part #U1.
Secure with 4 Bolts #8.

(3) Repeat the above procedures to assemble the opposite side.

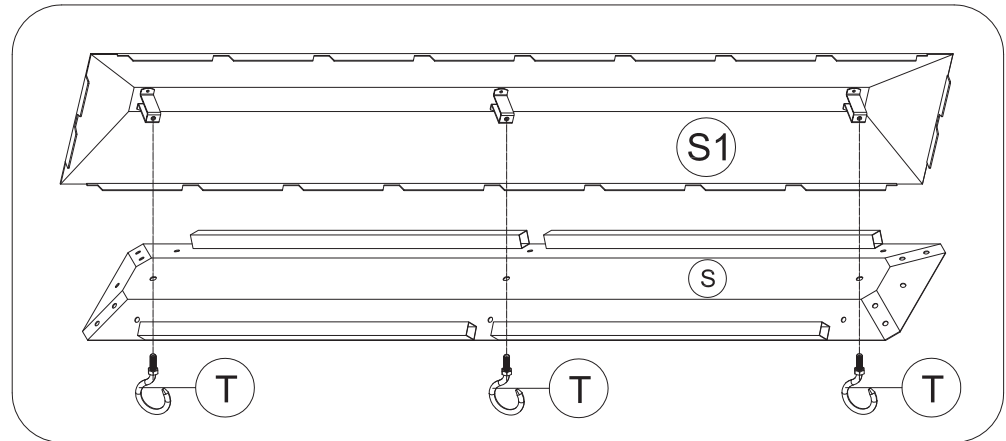


(S1) 1x



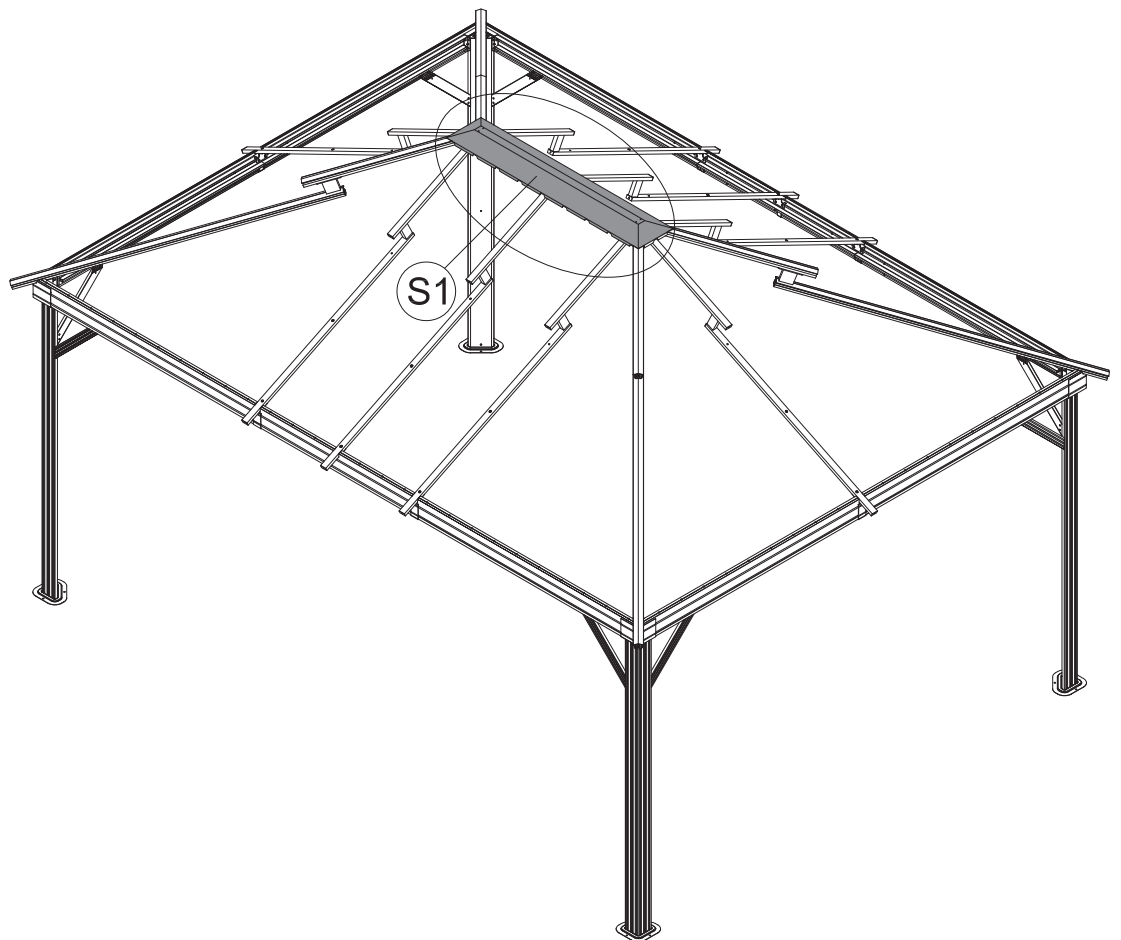
(T) 3x

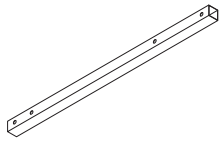
Inside View



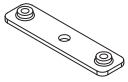
(1) Secure Part #T to Part #S and Part #S1.

ATTENTION: The holes of Part #S and Part #S1 need to be aligned, on the same vertical line.





G1 4x



U3 6x



1 1x



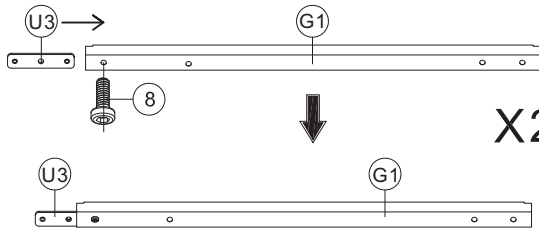
M6x10

7 6x

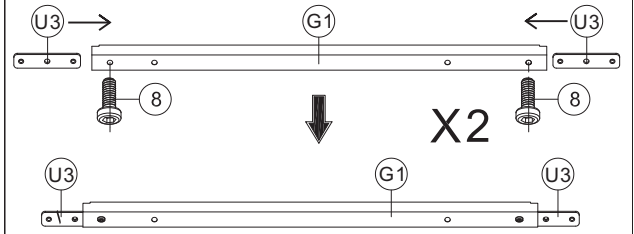


M6x16

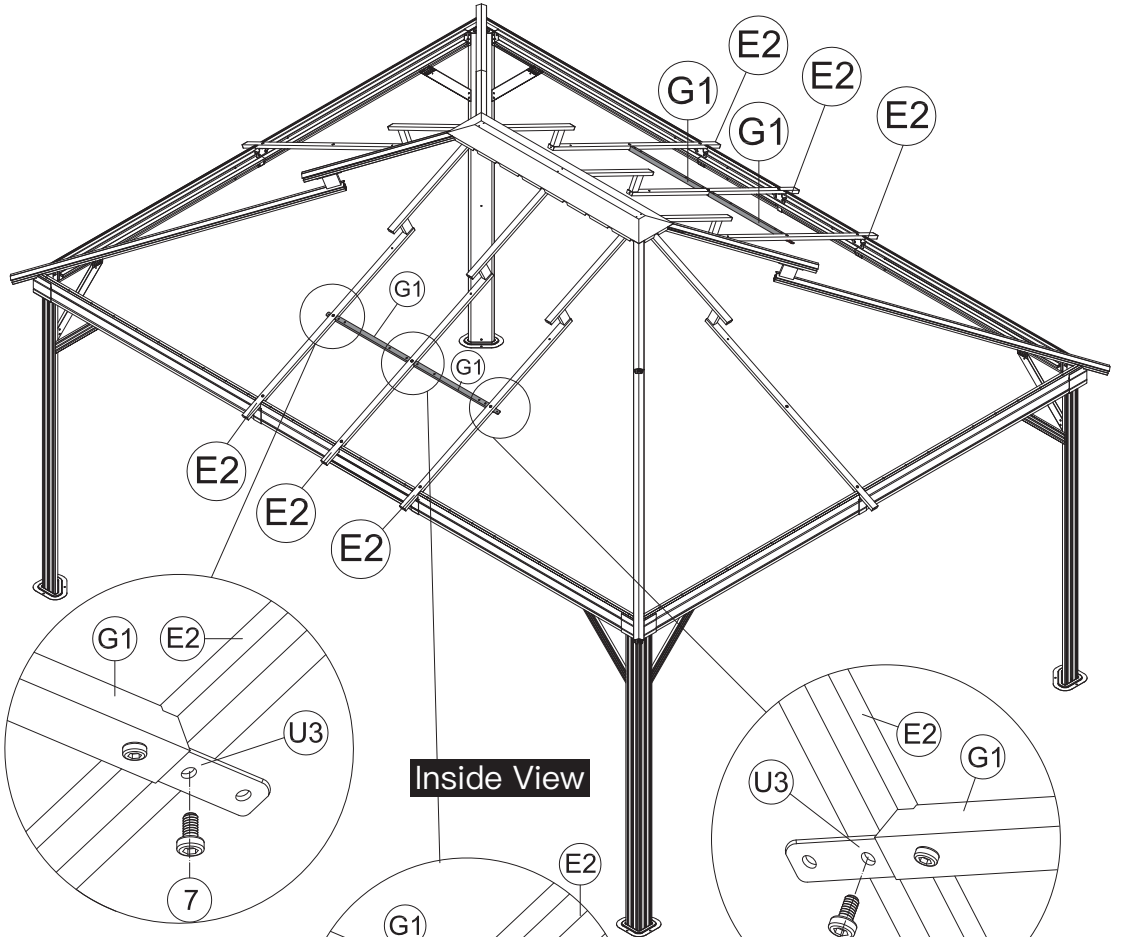
8 8x



(1) Insert Part #U3 into Part #G1 and secure with Bolt #8.



(2) Insert 2 Part #U3 into Part #G1 and secure with 2 Bolts #8.

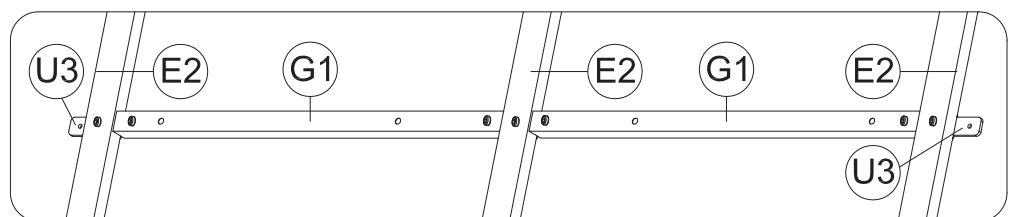


Inside View

(3) Attach Part #G1 and Part #U3 to Part #E2 with Bolt #7.

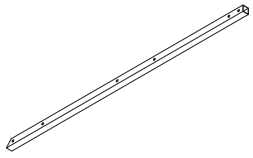
(3) Attach Part #G1 and Part #U3 to Part #E2 with Bolt #7.

(4) Attach Part #G1 and Part #U3 to Part #E2 with Bolt #7 and Bolt #8.



Outside View

(5) Repeat the above procedures to assemble the opposite side.



G 4x

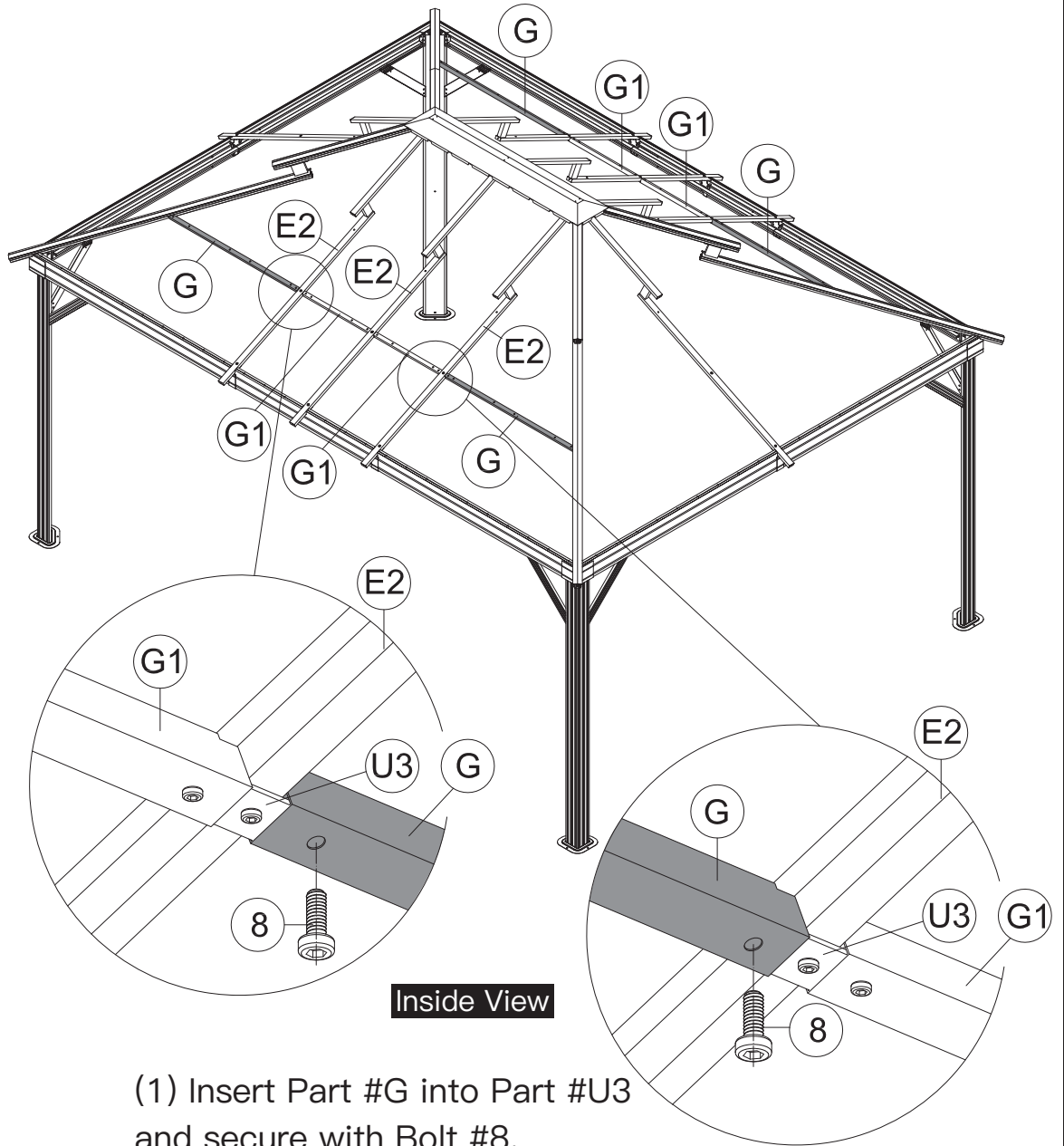


1 1x



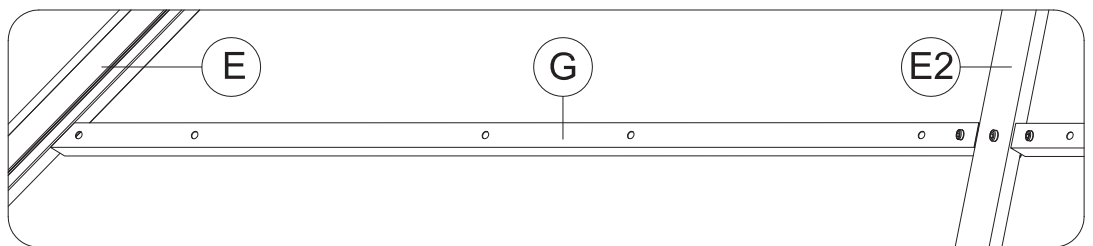
M6x16

8 4x



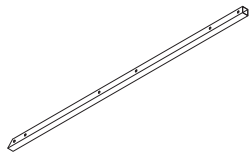
Inside View

(1) Insert Part #G into Part #U3 and secure with Bolt #8.

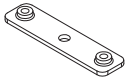


Outside View

(2) Repeat the above procedures to assemble the opposite side.



F 4x



U3 2x



1 1x



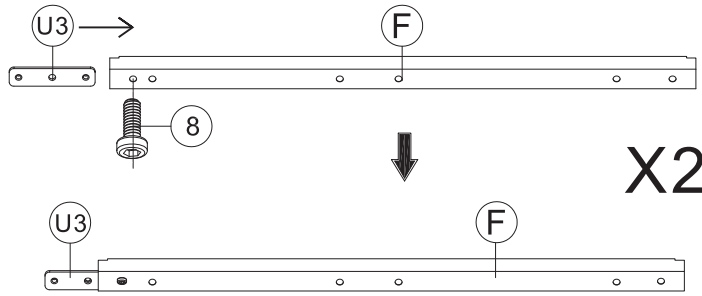
M6x10

7 2x

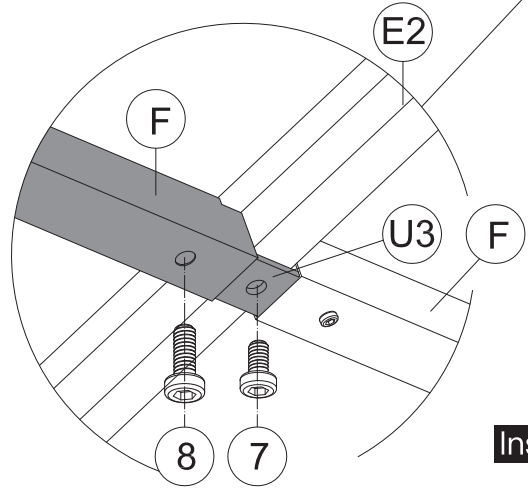
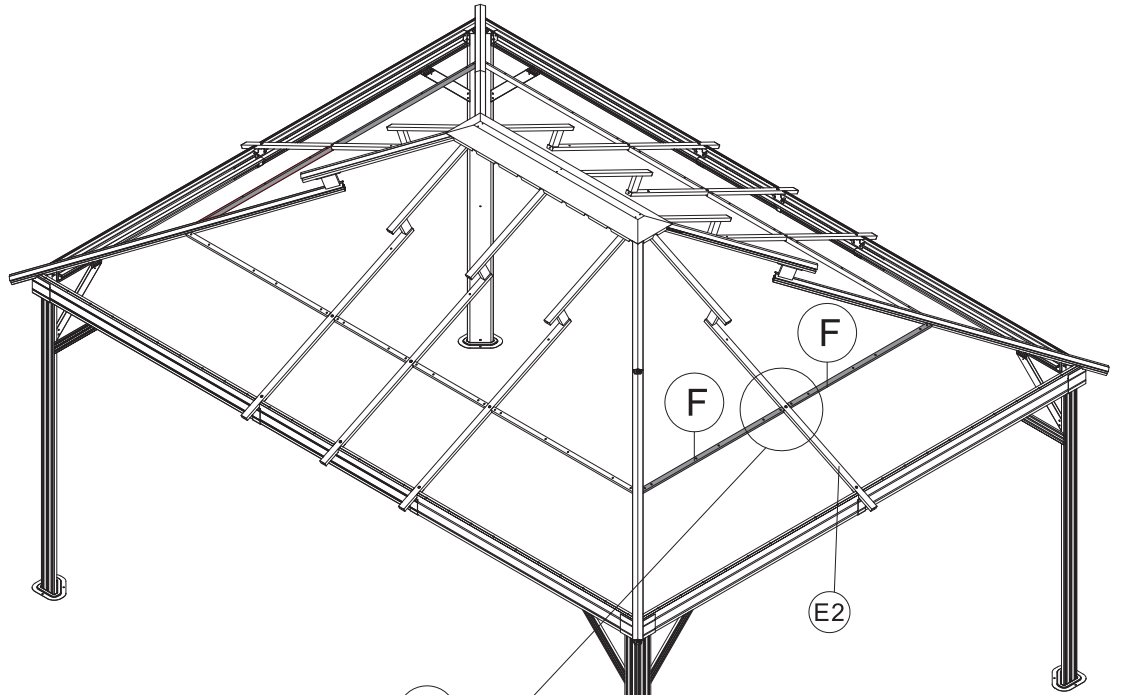


M6x16

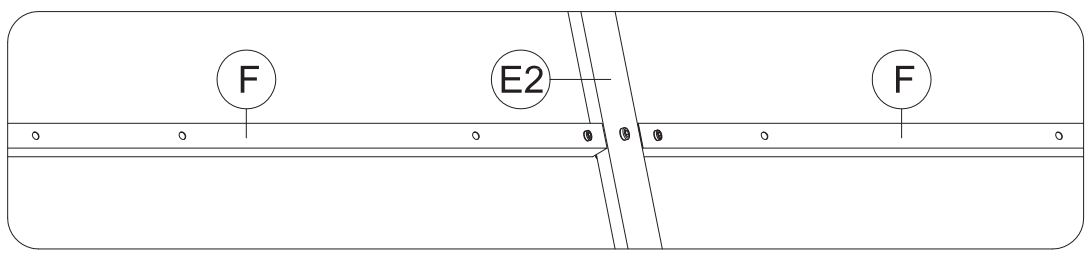
8 4x



(1) Insert Part #U3 into Part #F and secure with Bolt #8.



(2) Attach another Part #F to Part #U3 with Bolts #7 and #8.



(3) Repeat the above procedures to assemble the opposite side.



U2 4x

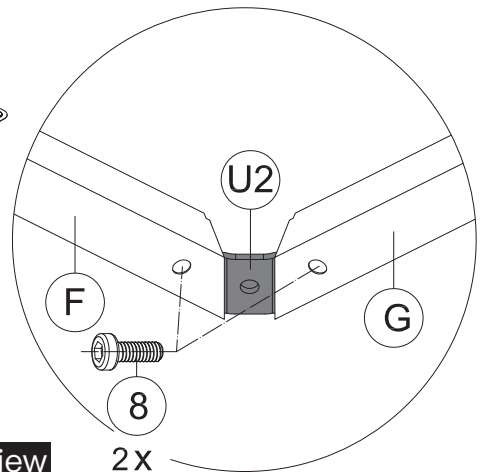
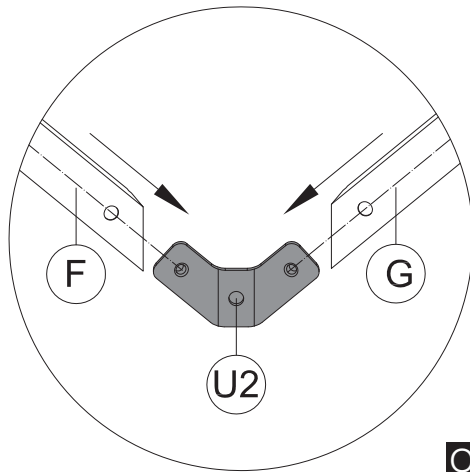
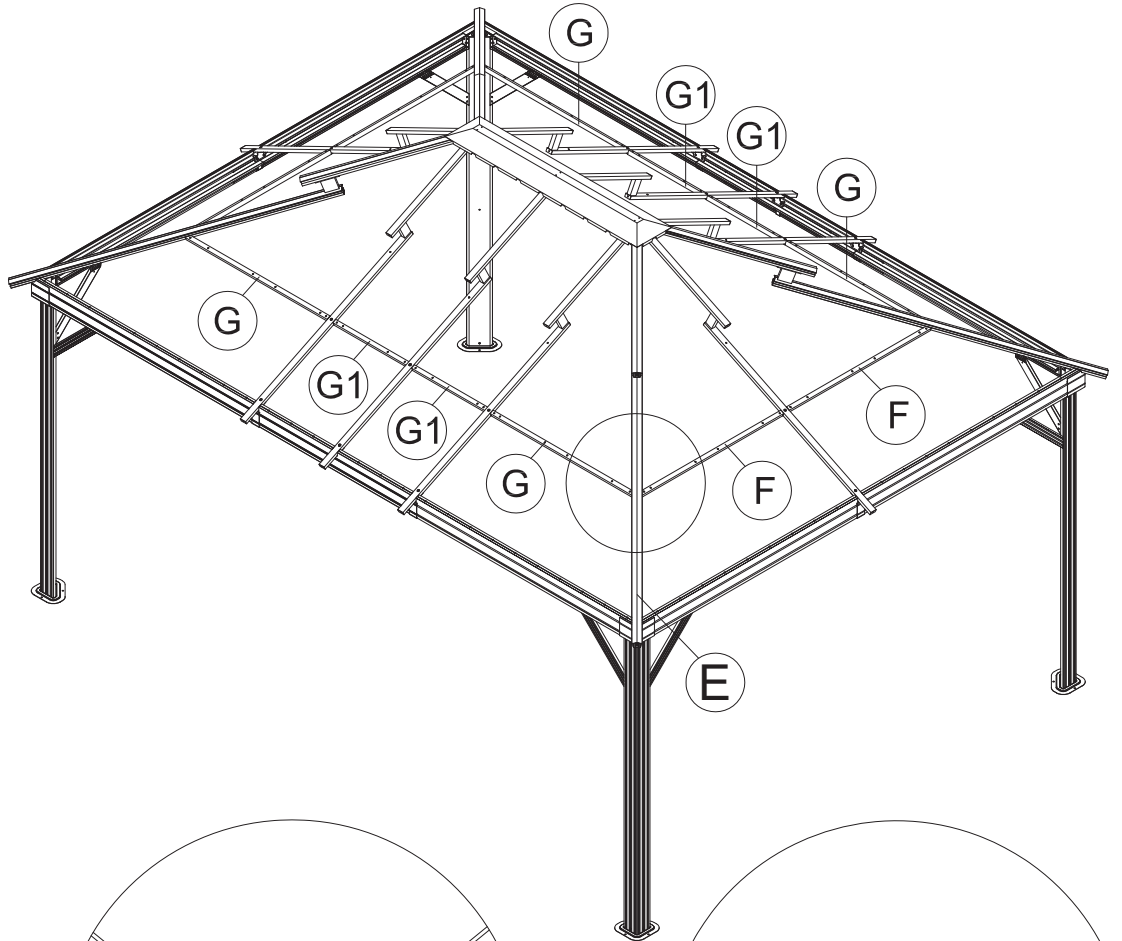


1 1x



M6x16

8 12x



Outside View

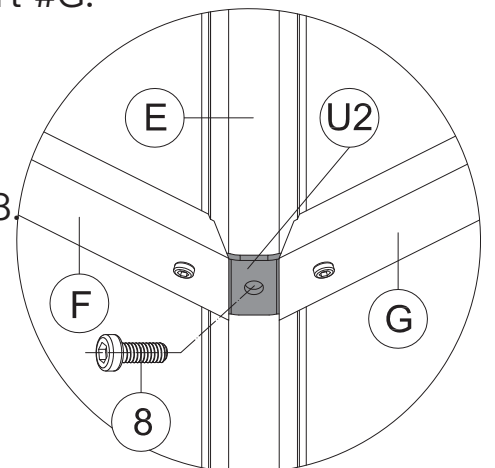
2x



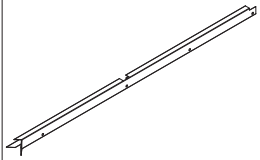
(1) Insert Part #U2 into Part #F and Part #G.

(2) Secure with 2 Bolts #8.

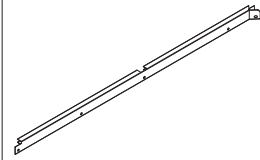
(3) Secure them to Part #E with Bolt #8.



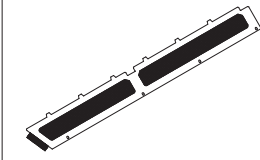
(4) Repeat the above procedures to assemble the other 3 sides.



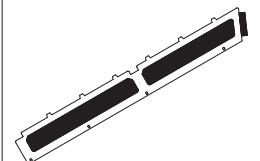
J1 2x



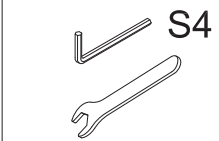
J2 2x



Q1 2x



Q2 2x



1 1x



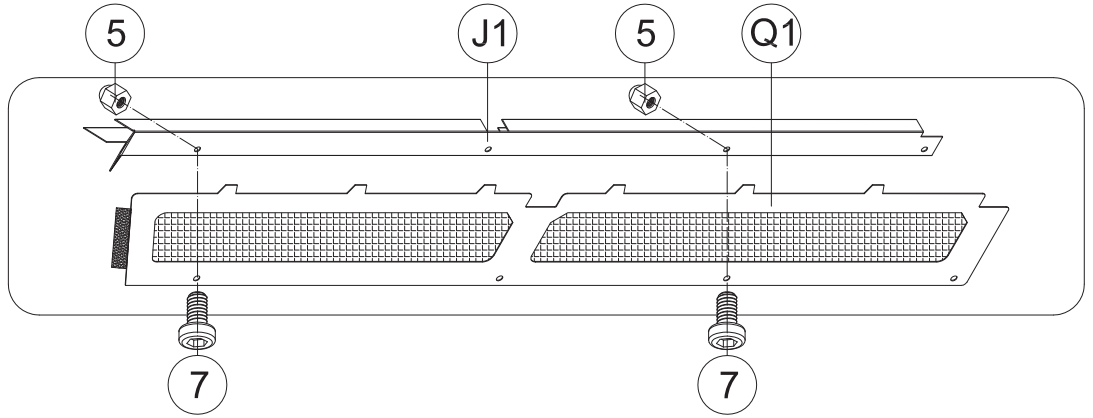
5 8x



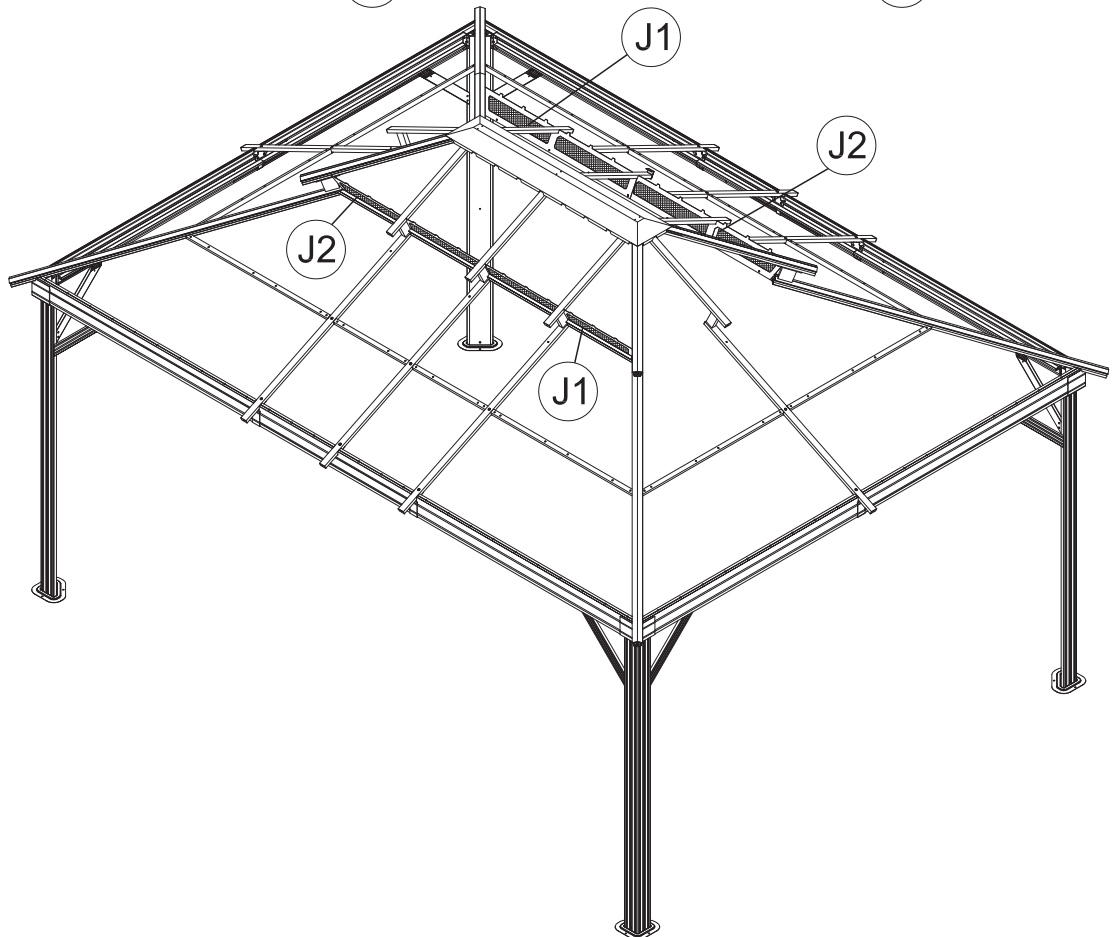
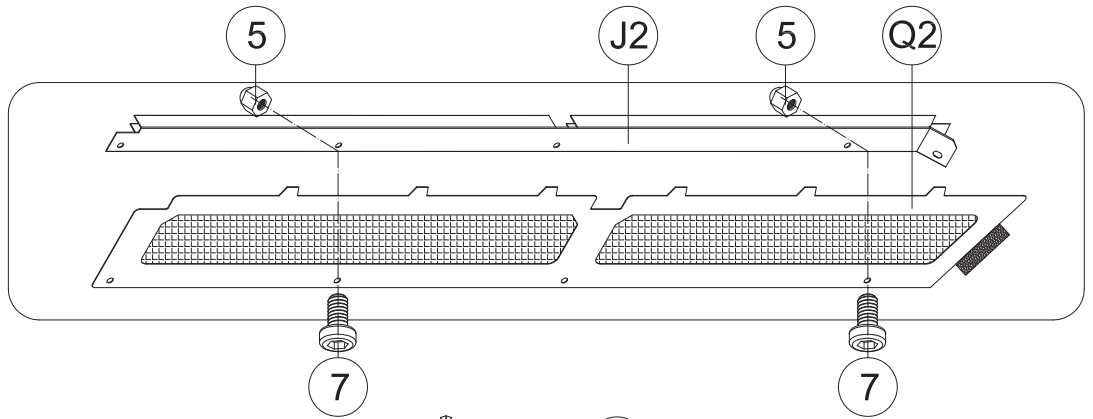
7 8x

24

(1) Connect Part #J1 and Part #Q1 with 2 Bolts #7 and 2 Nuts #5.



(2) Connect Part #J2 and Part #Q2 with 2 Bolts #7 and 2 Nuts #5.



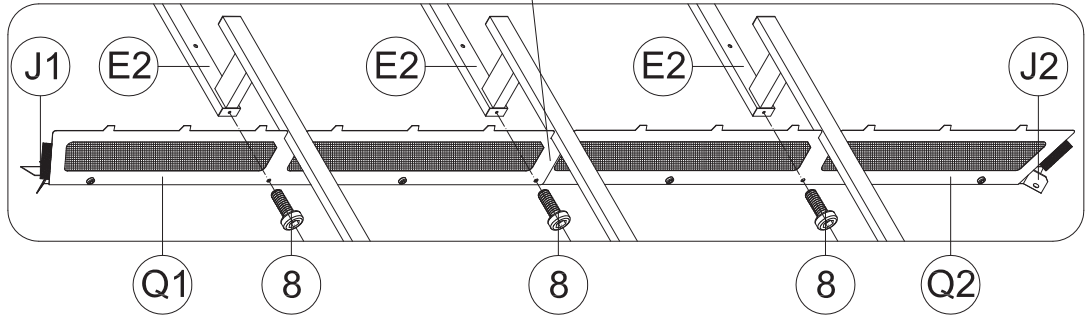
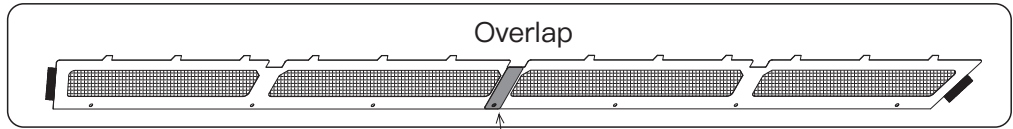


1 1x

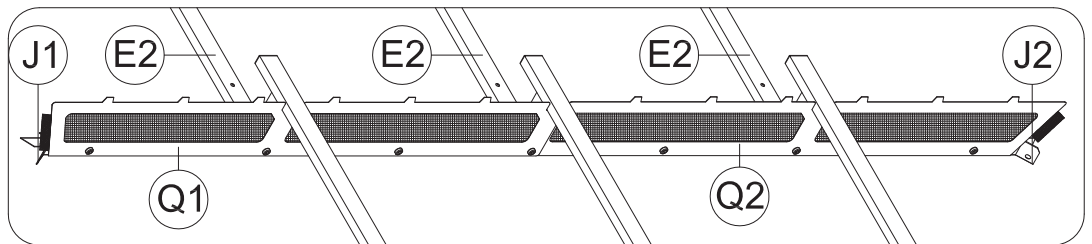


M6x16

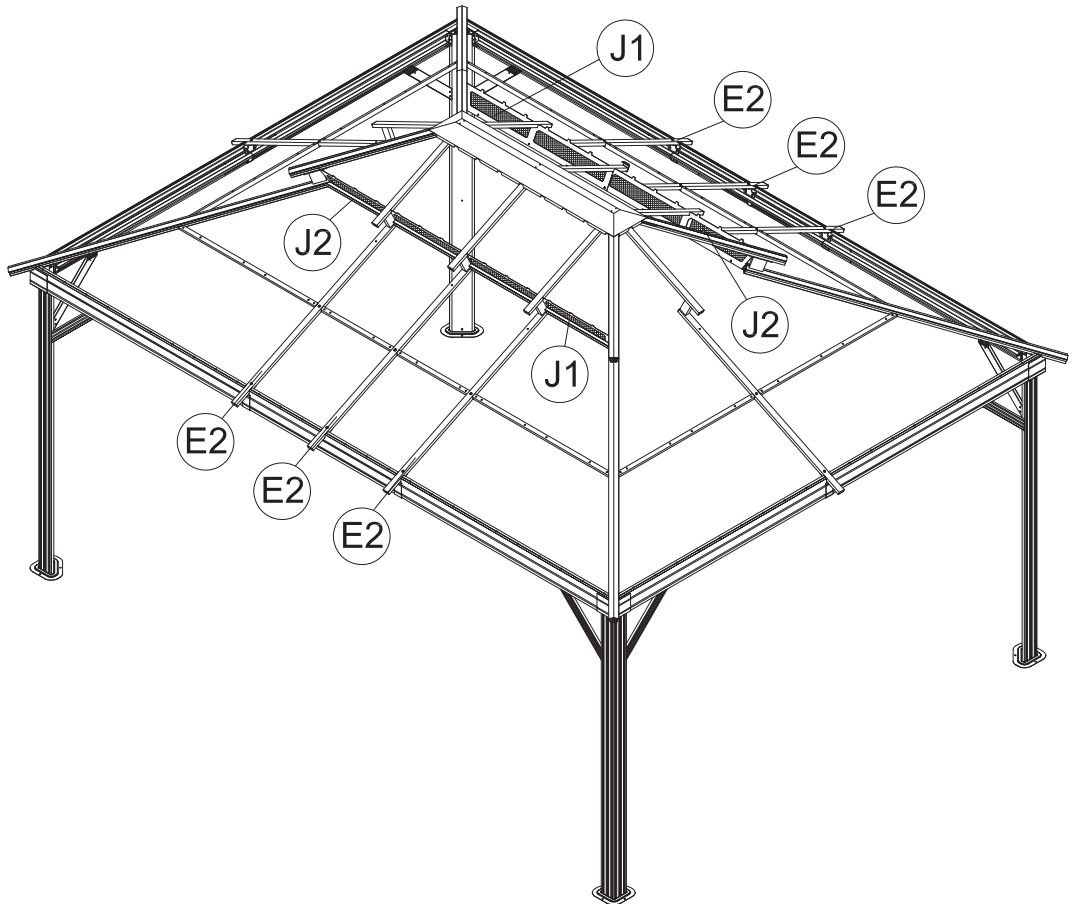
8 6x



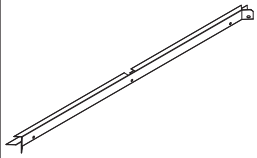
Inside View



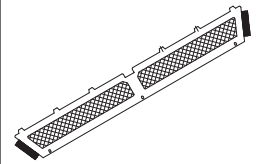
Place the Assembled J1 & Q1 and J2 & Q2 on Part #E2, securing with 3 Bolts #8.



Repeat the above procedures to assemble the opposite side.



J 2x



Q 2x



1 1x



M6

5 4x



M6x10

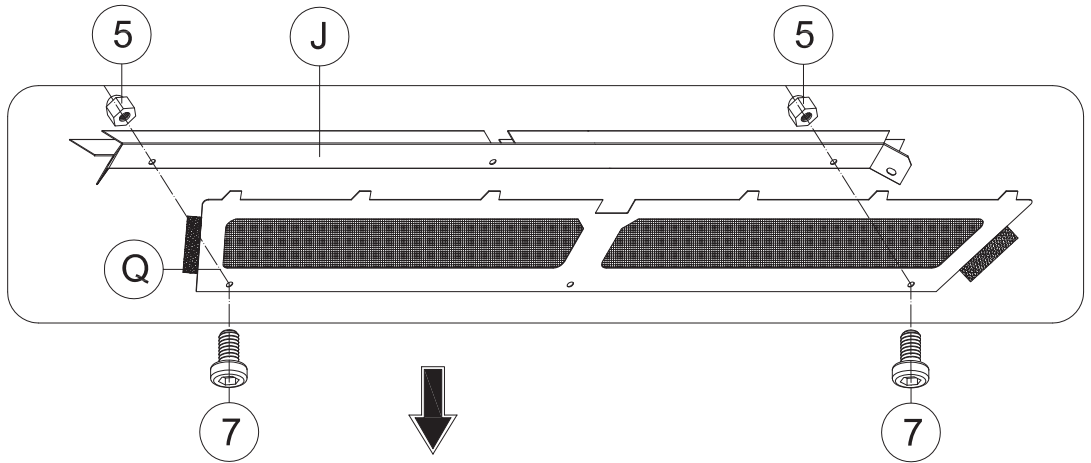
7 4x



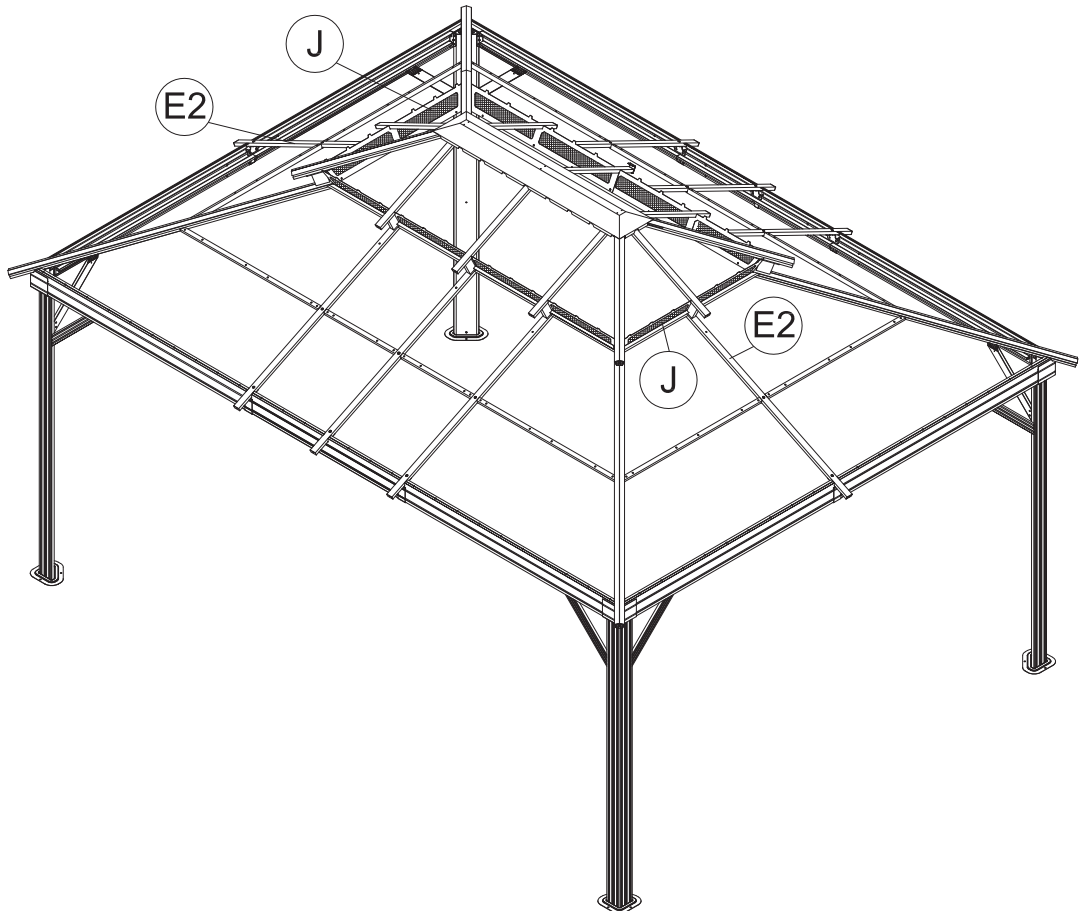
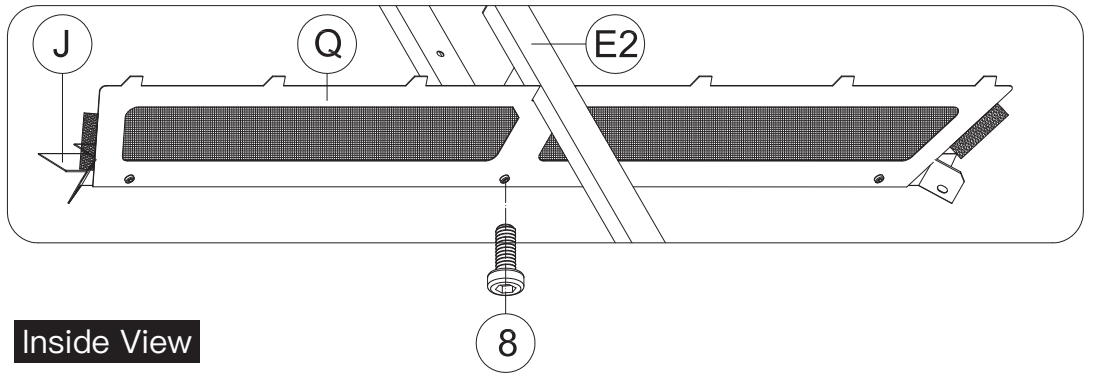
M6x16

8 2x

(1) Connect Part #J and Part #Q with 2 Bolts #7 and 2 Nuts #5.



(2) Place the Assembled Part #J & #Q on Part #E2, securing with 1 Bolt #8.



(3) Repeat the above procedures to assemble the opposite side.



X3 4x



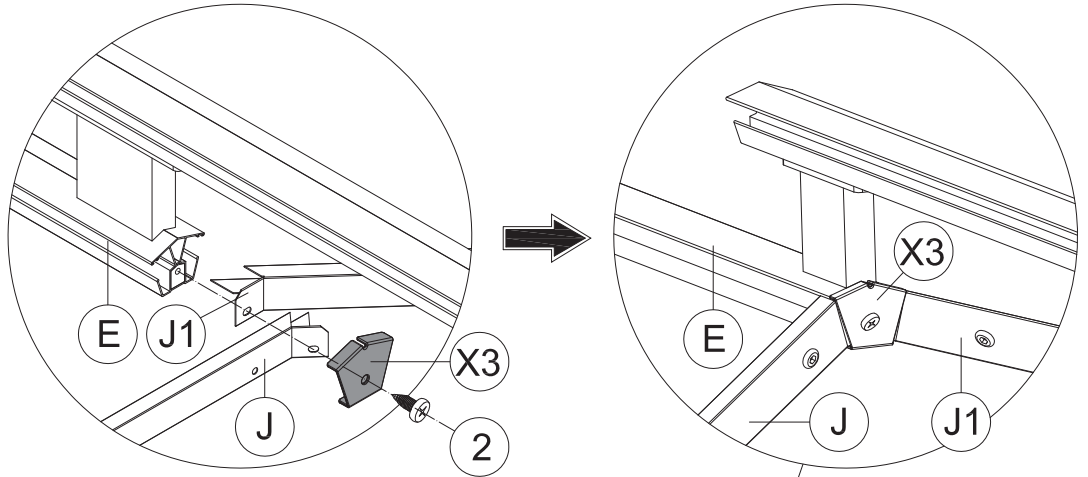
1 1x



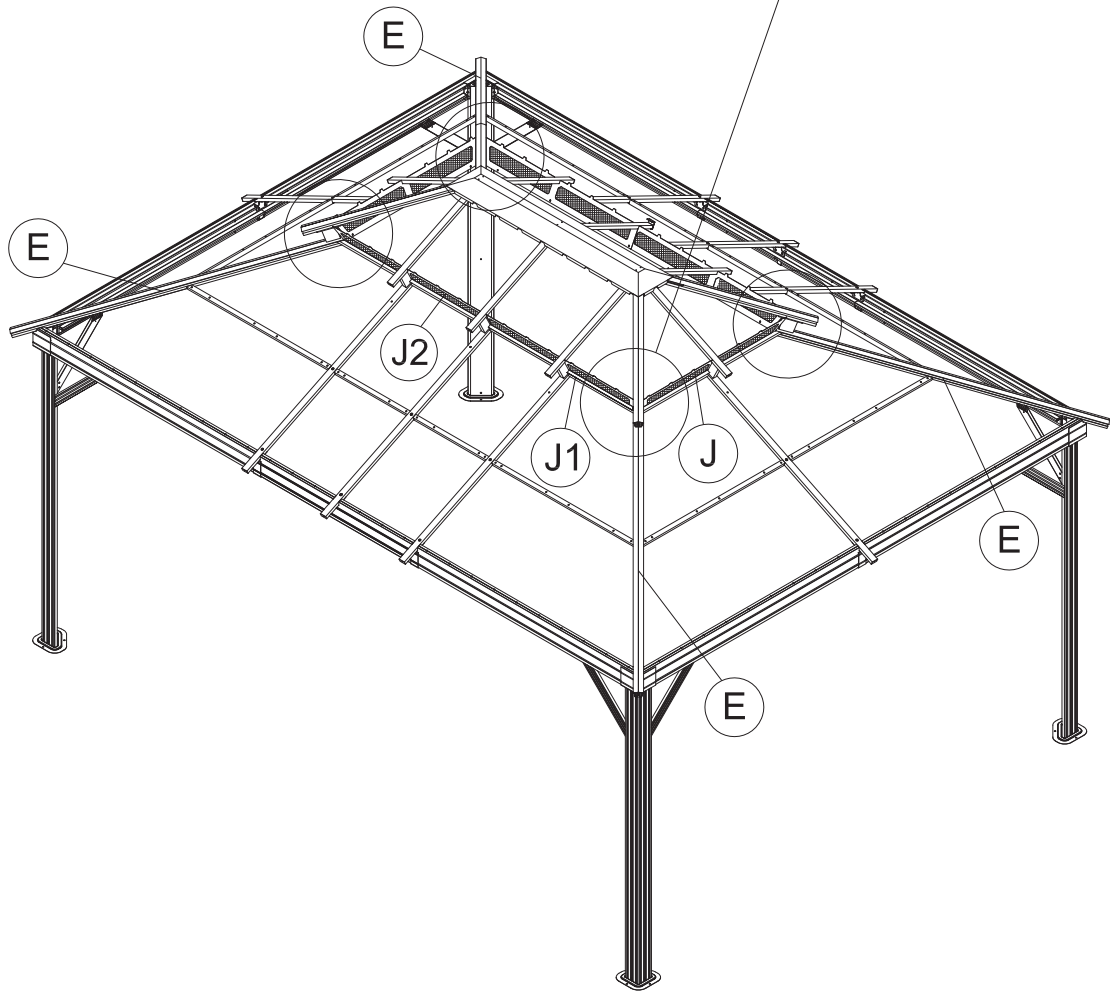
ST6.3x15

2 4x

(1) Place Part #J and Part #J1 on Part #E; put on Part #X3 and secure with Self-tapping Screw #2.



Inside View



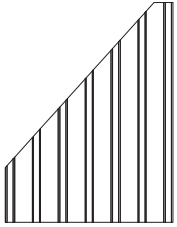
Repeat the above procedures to assemble the other 3 corners.

Cover Part #Z, #Z1 & #Z2 to Roof Panels.

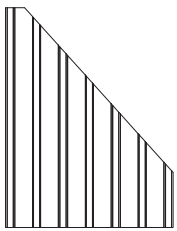
(L1) 2x



(L2) 2x



(L3) 2x



(L4) 2x



(Z) 8x



(Z1) 4x

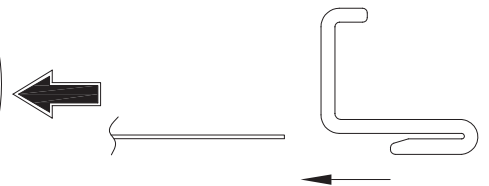
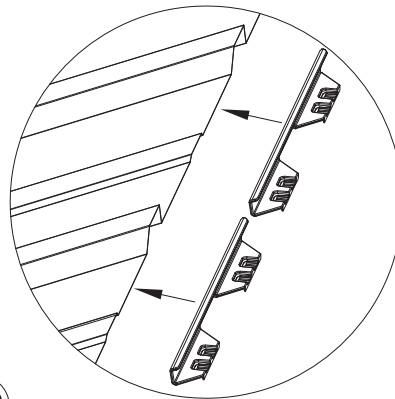
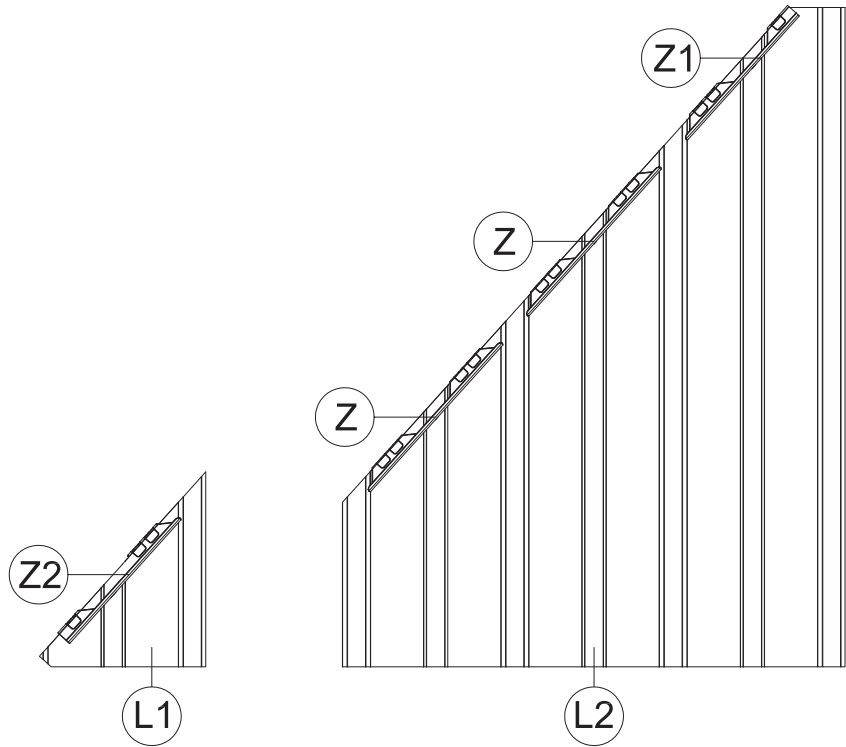


(Z2) 4x

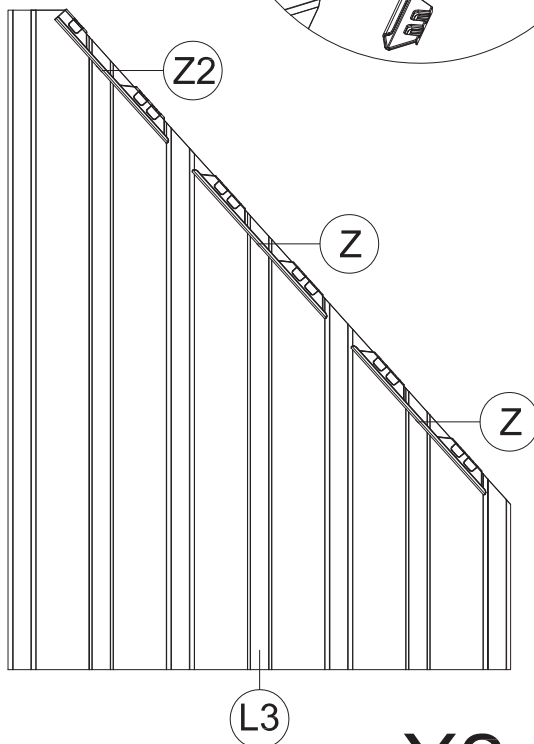


28

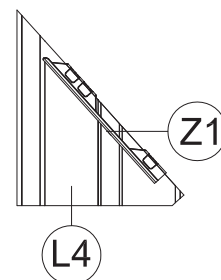
X2



Section View

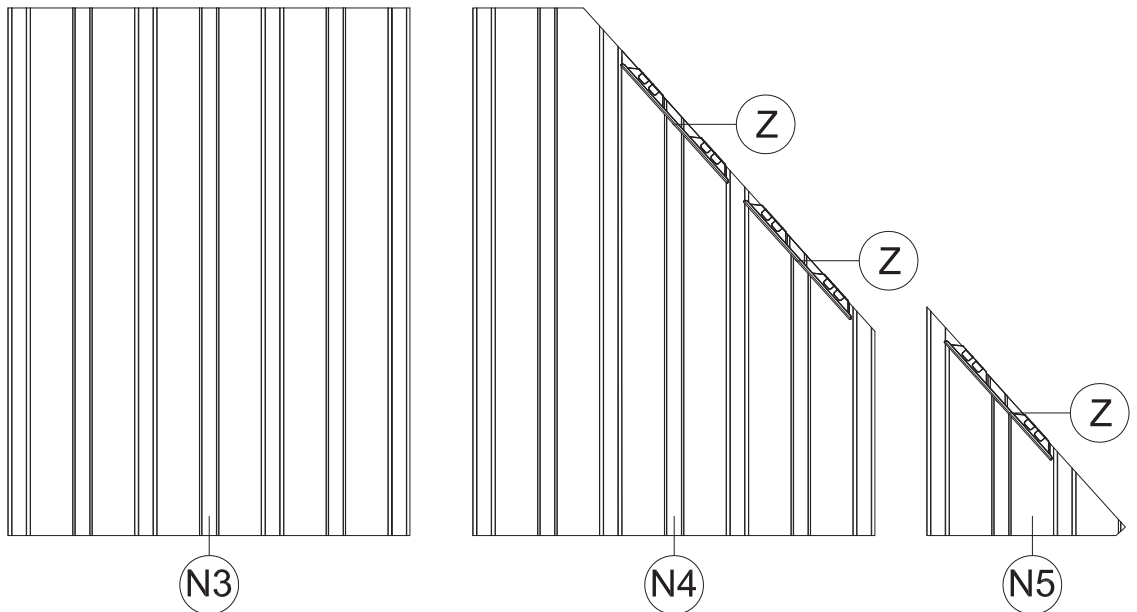
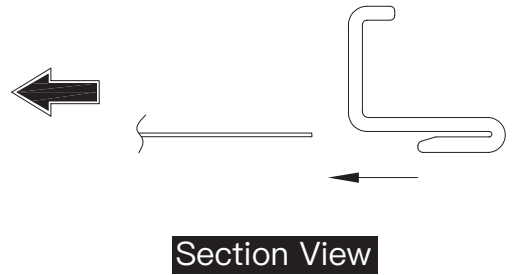
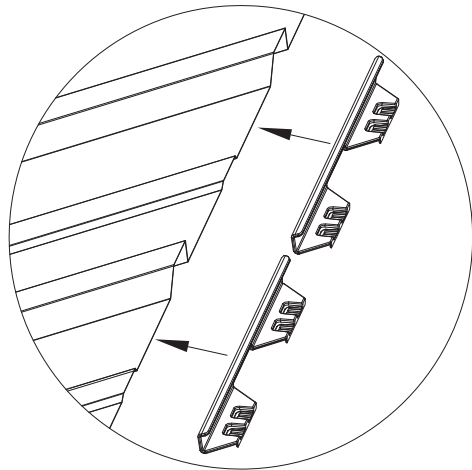
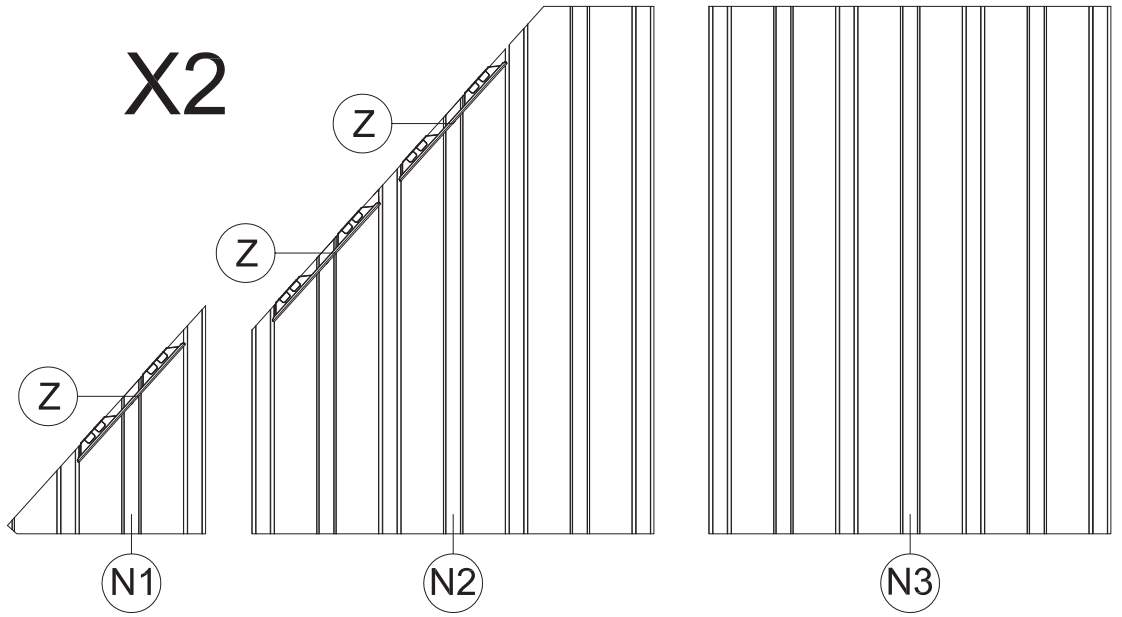



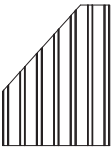
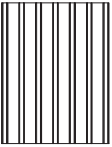
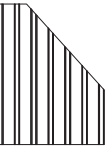
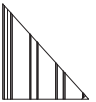

X2



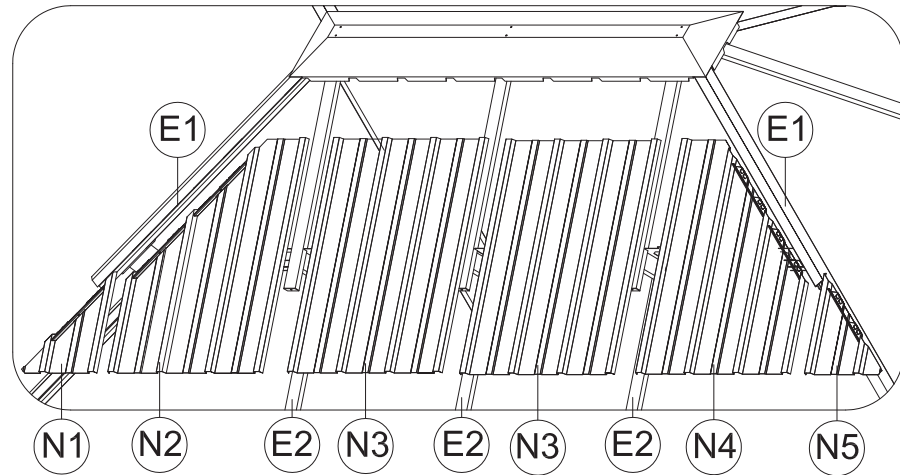
Cover Part #Z to Roof Panels.

X2



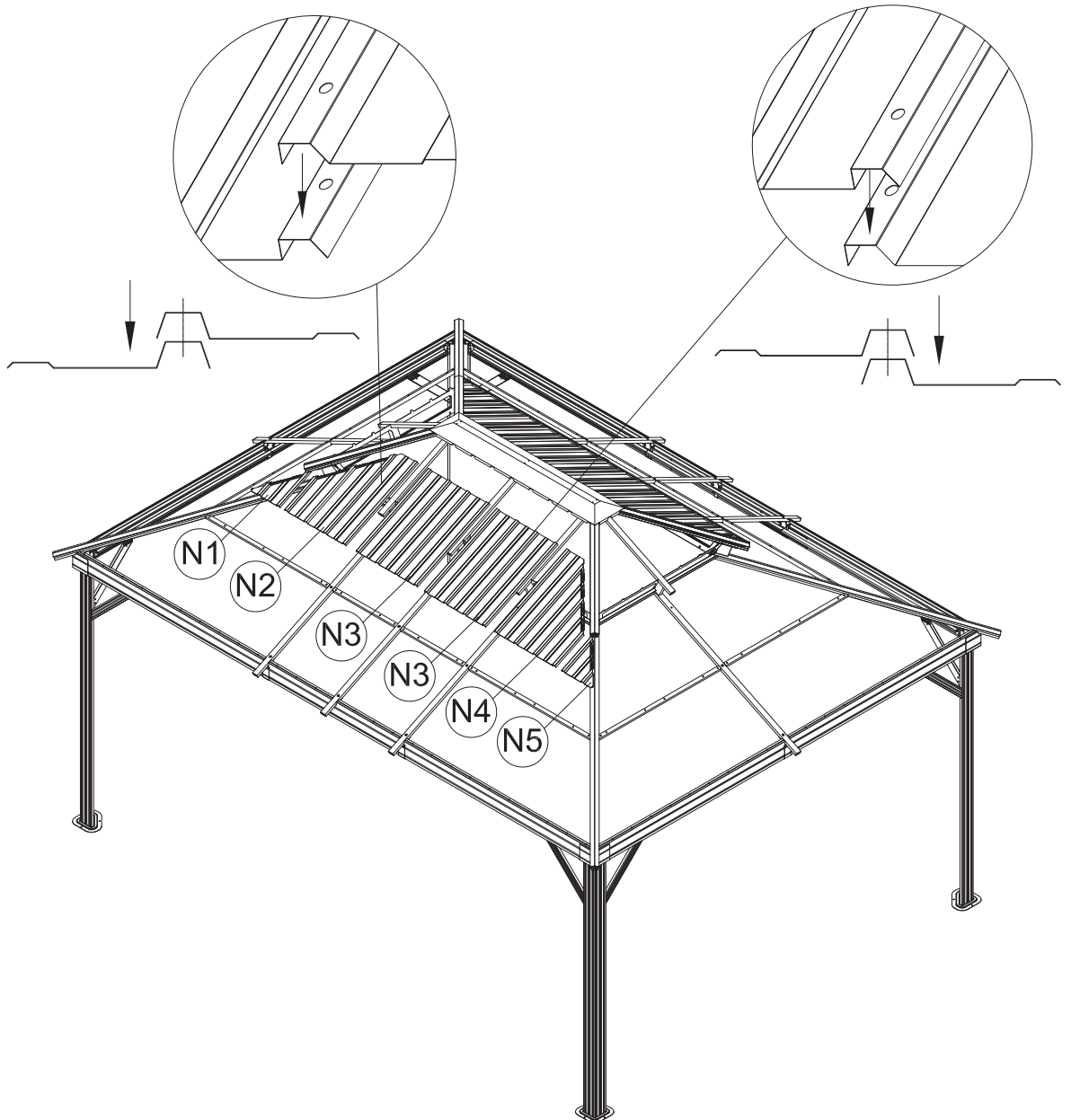
-  (N1) 2x
-  (N2) 2x
-  (N3) 4x
-  (N4) 2x
-  (N5) 2x
-  (Z) 12x

ATTENTION: The bigger roof panel need to cover the smaller one.

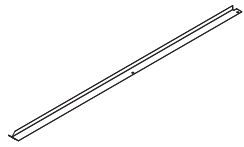


(1) Insert Part #N1, Part #N2 and Part #N3 into the frame.

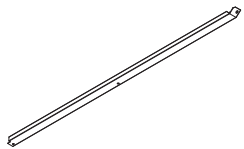
(2) Insert Part #N5, Part #N4 and Part #N3 into the frame.



(3) Repeat the above procedures to assemble the opposite side.



H1 2x



H2 2x



X2 2x



1 1x

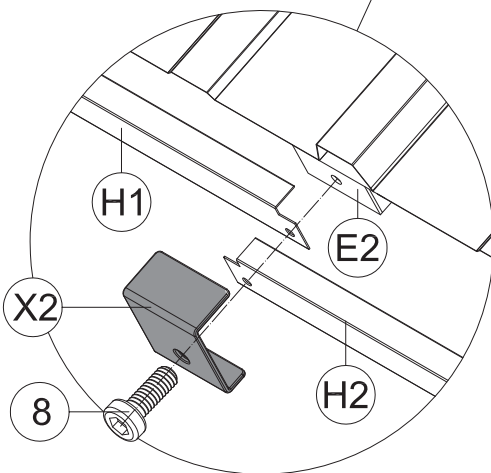
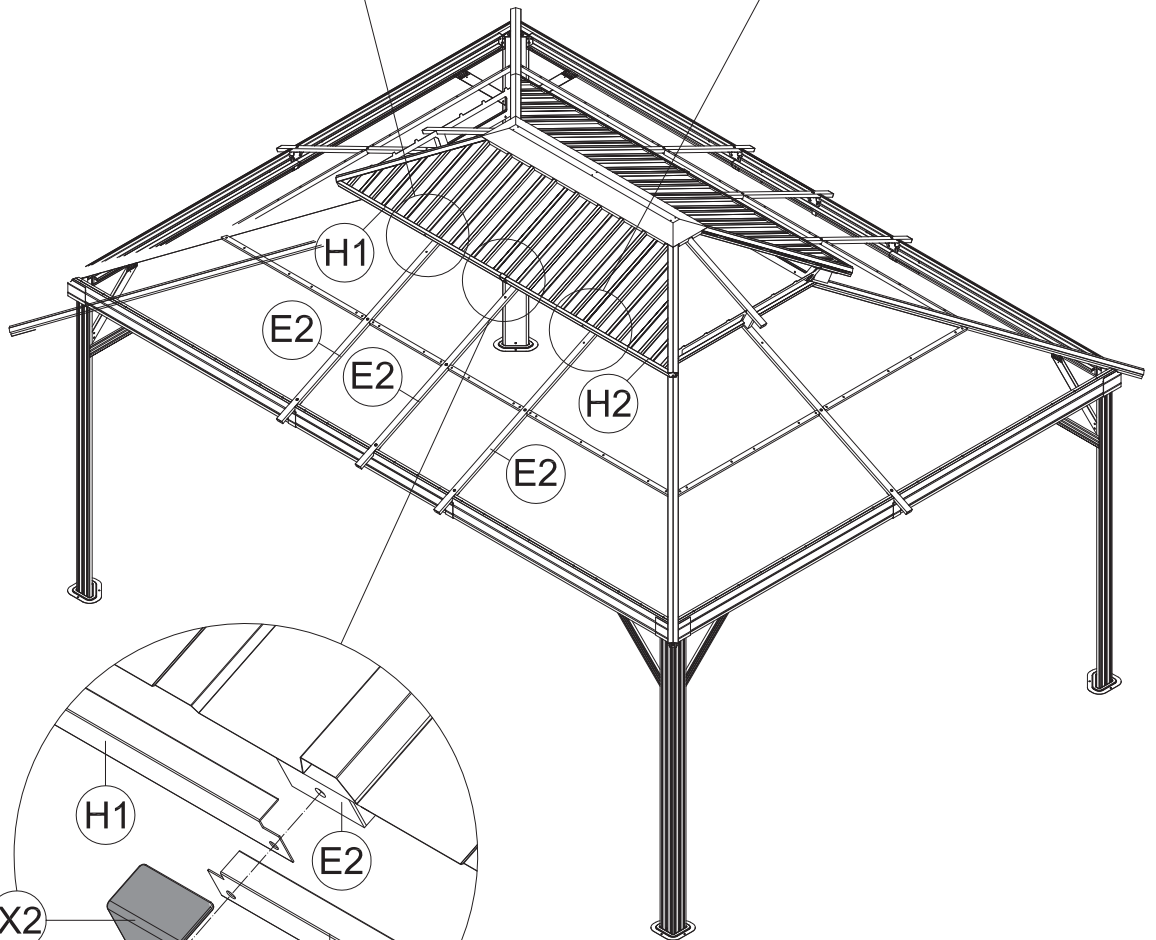
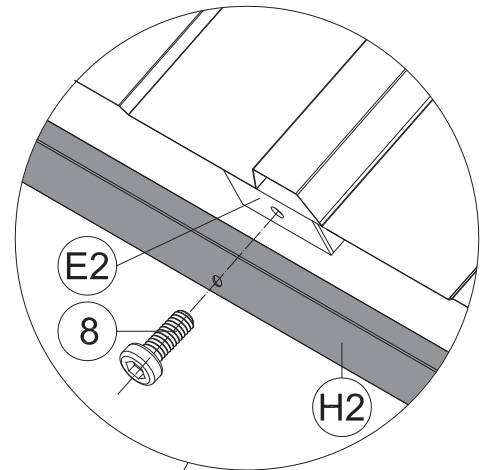
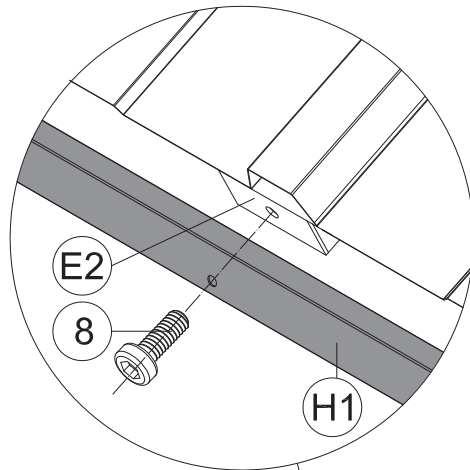


M6x16

8 6x

(1) Attach Part #H1 to Part #E2, securing with Bolt #8.

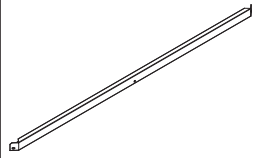
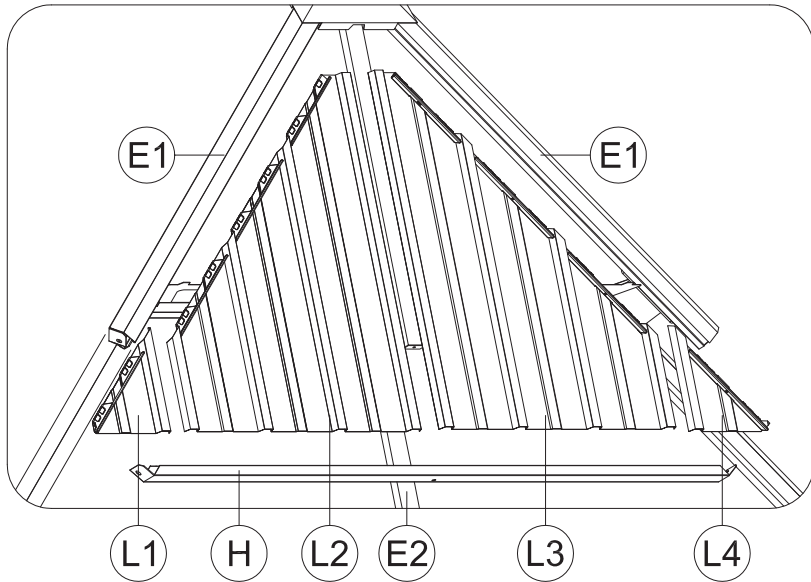
(2) Attach Part #H2 to Part #E2, securing with Bolt #8.



(3) Place Part #H1 and Part #H2 on Part #E2; put on Part #X2 and secure with Bolt #8.

(4) Repeat the above procedures to assemble the opposite side.

ATTENTION: The bigger roof panel need to cover the smaller one.



(H) 2x



(1) 1x



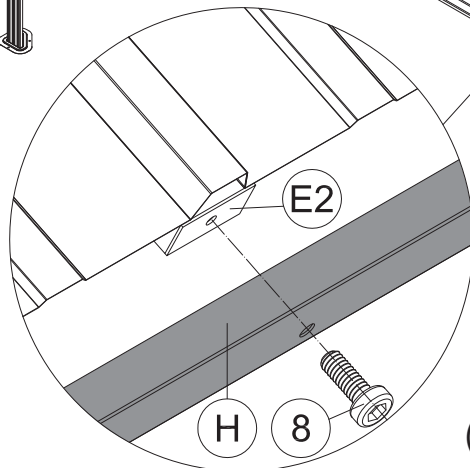
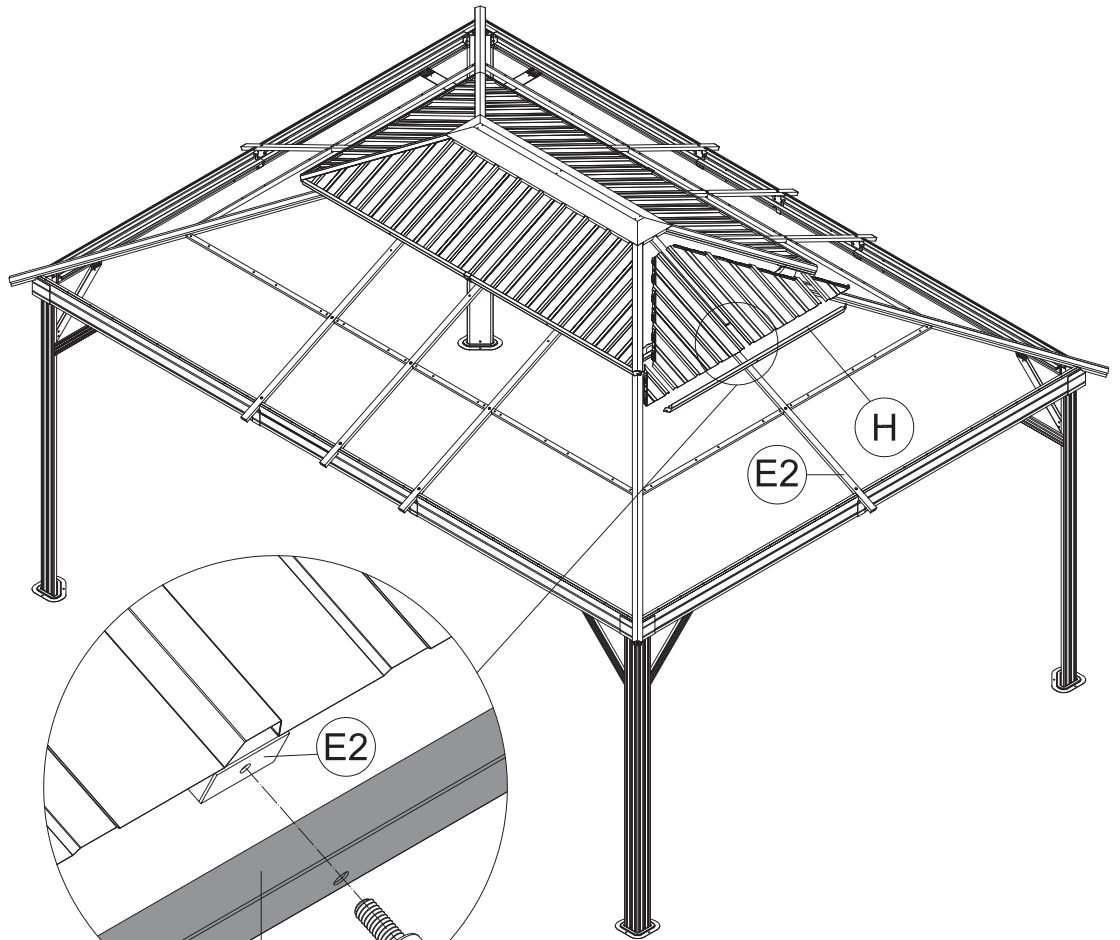
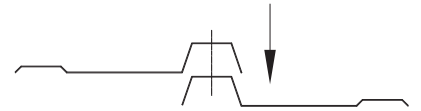
M6x16

(8) 2x

(1) Insert Part #L1 and Part #L2 into the frame.



(2) Insert Part #L4 and Part #L3 into the frame.



(3) Attach Part #H to Part #E2, securing with Bolt #8.



X3 4x



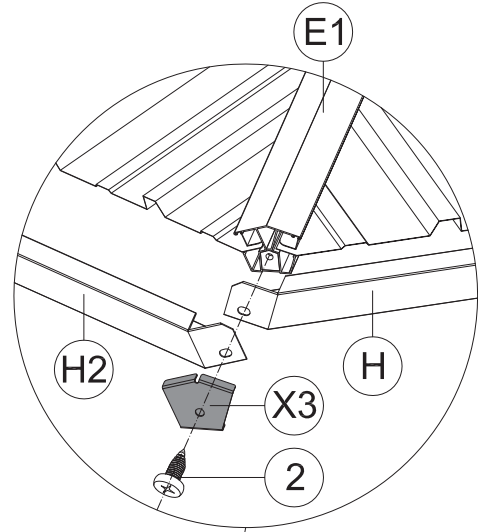
1 1x



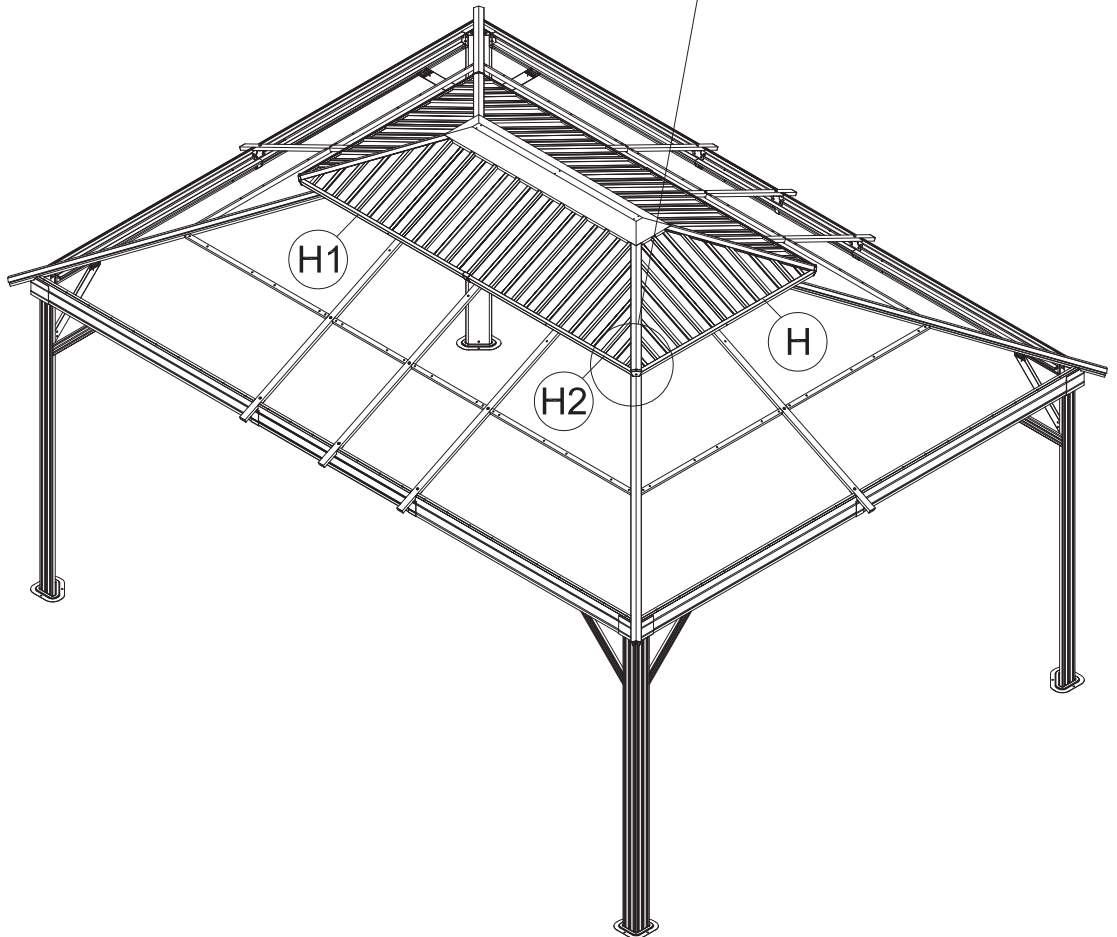
ST6.3x15

2 4x

Place Part #H and Part #H2 on Part #E1;
put on Part #X3 and secure with Self-tapping Screw #2


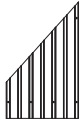
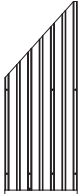
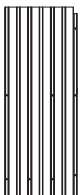
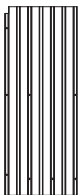
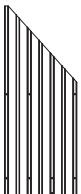
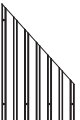




Outside View

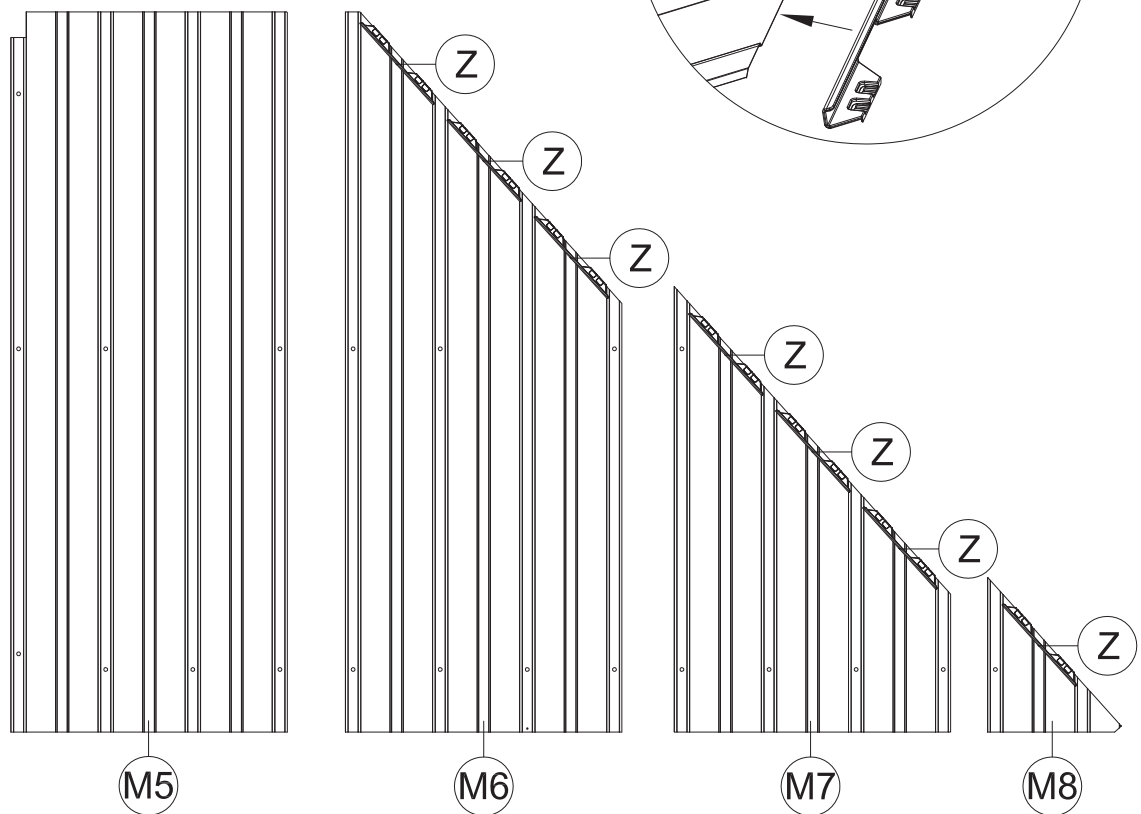
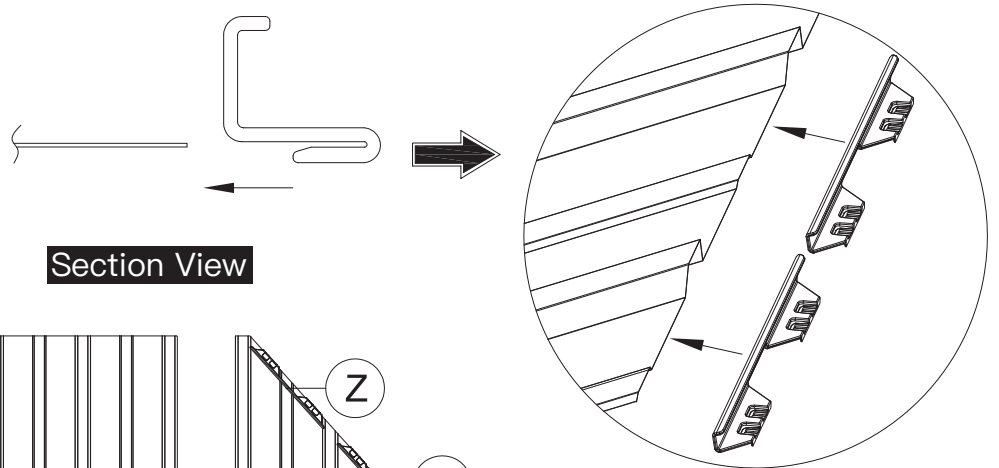
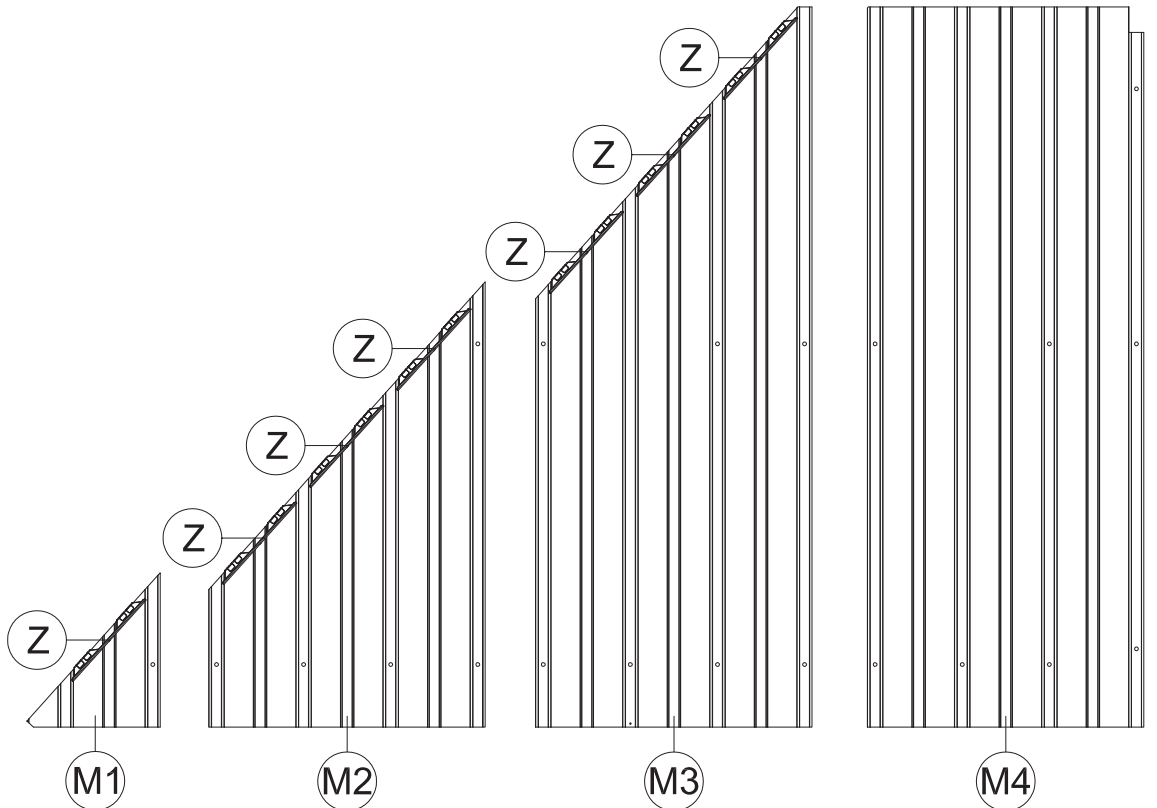


Repeat the above procedures to assemble the other 3 corners.

Cover Part #Z to Roof Panels

-  (M1) 2x
-  (M2) 2x
-  (M3) 2x
-  (M4) 2x
-  (M5) 2x
-  (M6) 2x
-  (M7) 2x
-  (M8) 2x
-  (Z) 28x

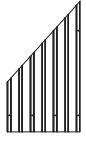
34



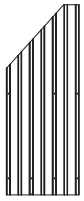
Cover Part #Z to Roof Panels



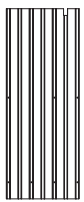
P1 2x



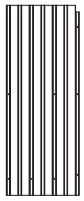
P2 2x



P3 2x



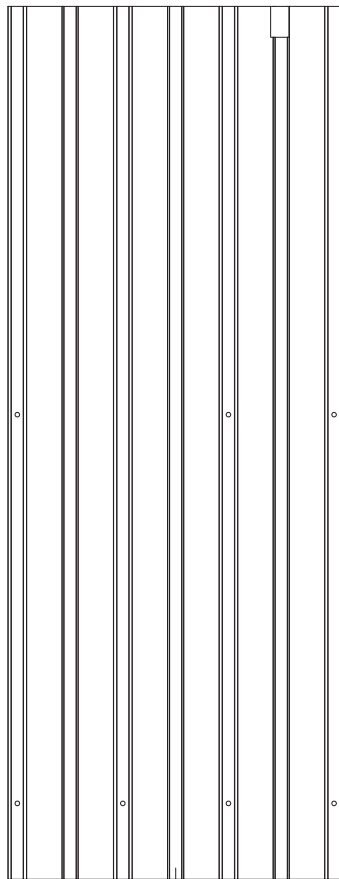
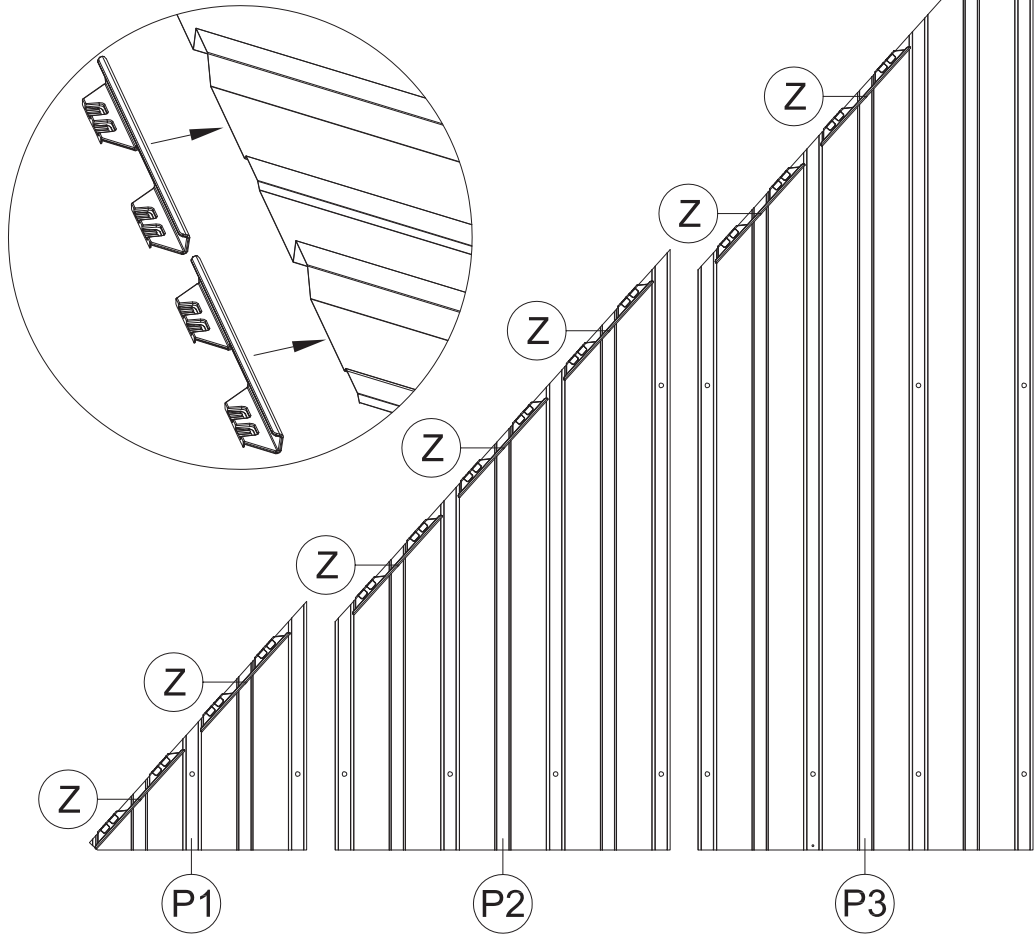
P4 2x



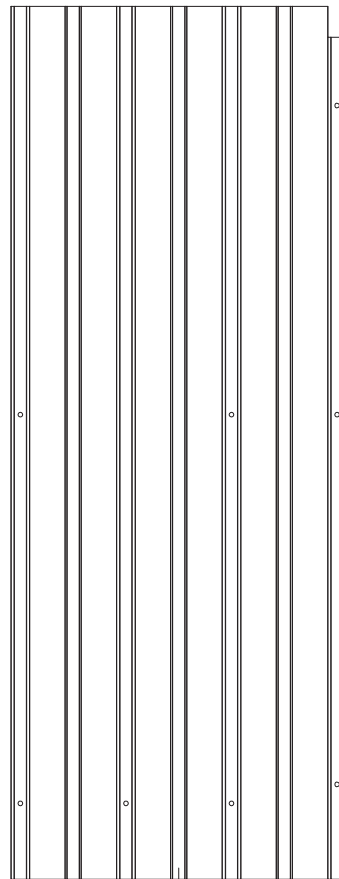
P5 2x



Z 14x



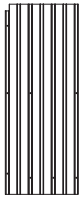
P4



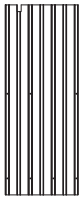
P5

Cover Part #Z to Roof Panels

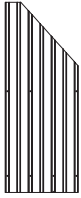
P6 2x



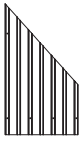
P7 2x



P8 2x



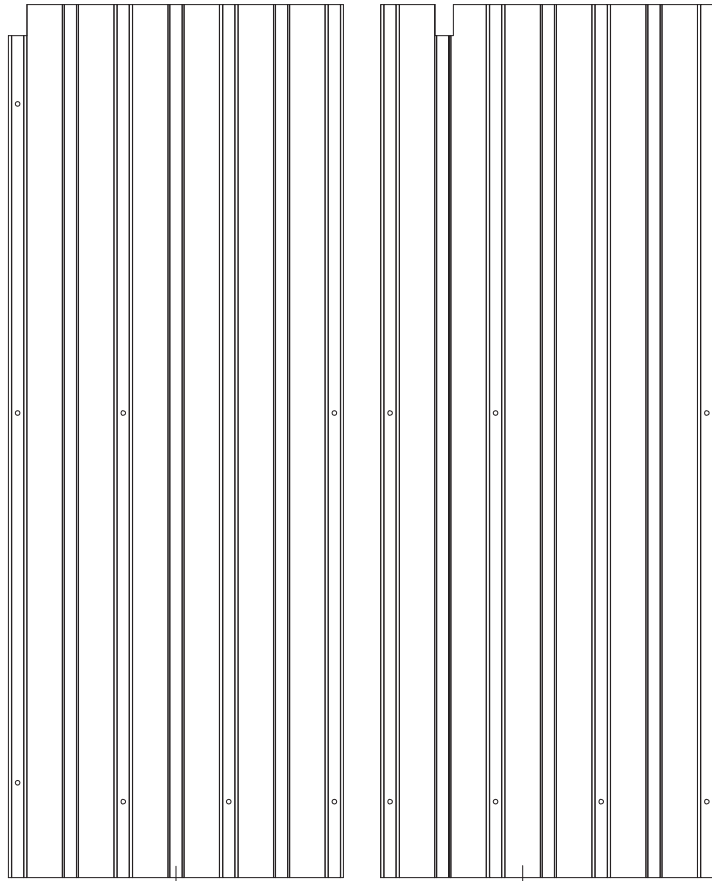
P9 2x



P10 2x

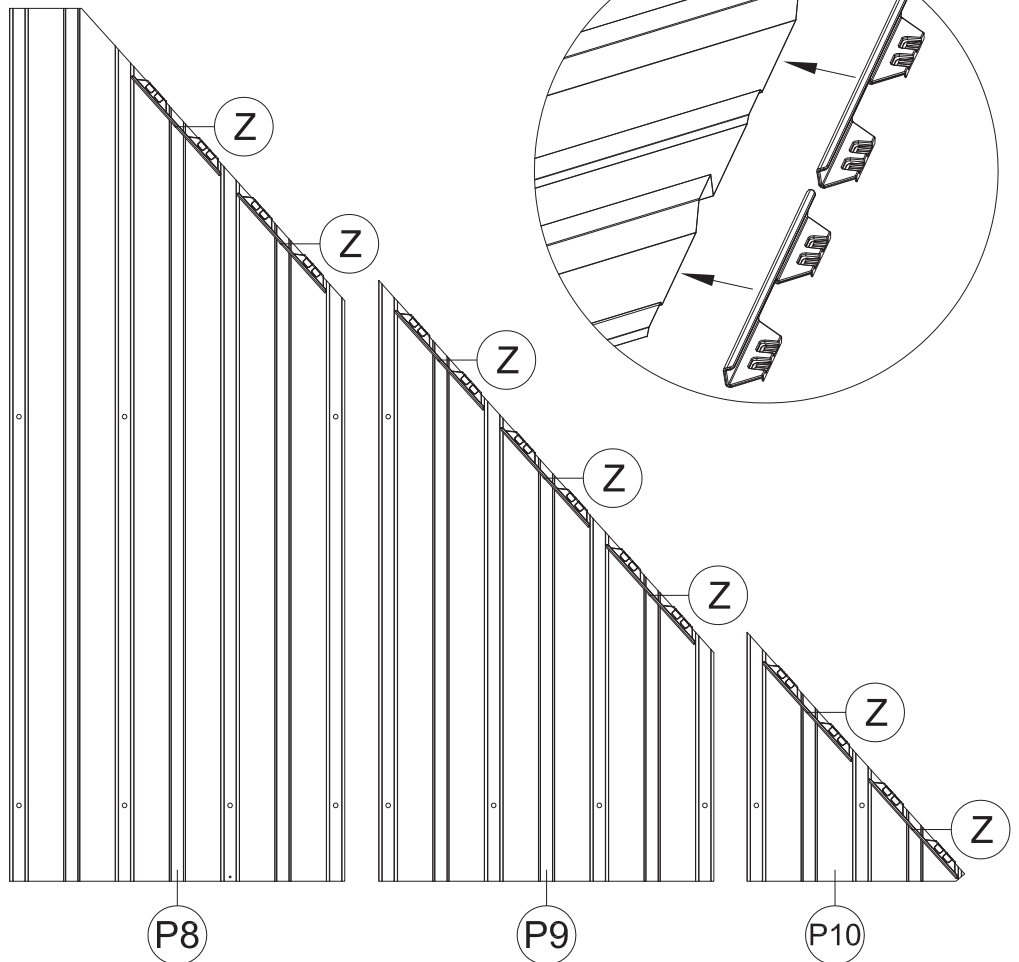


Z 14x



P6

P7



Z

Z

Z

Z

Z

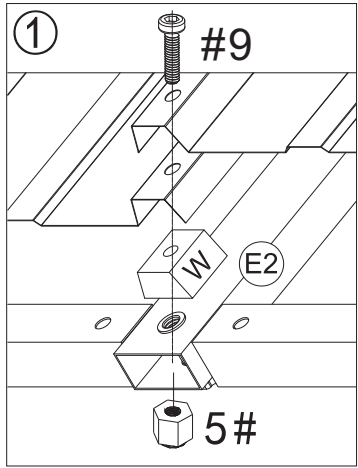
Z

Z

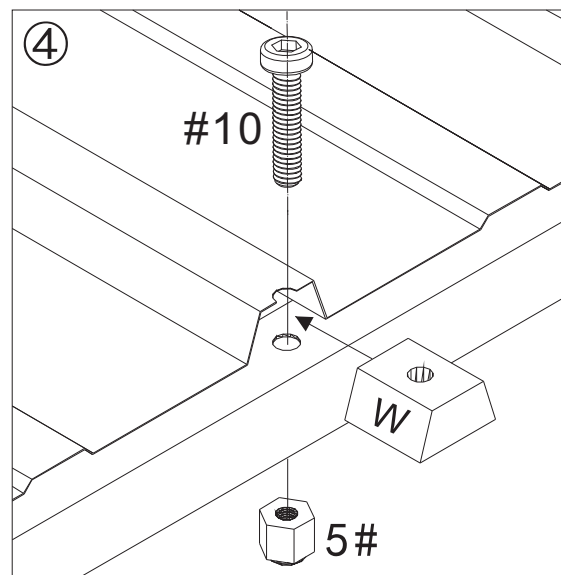
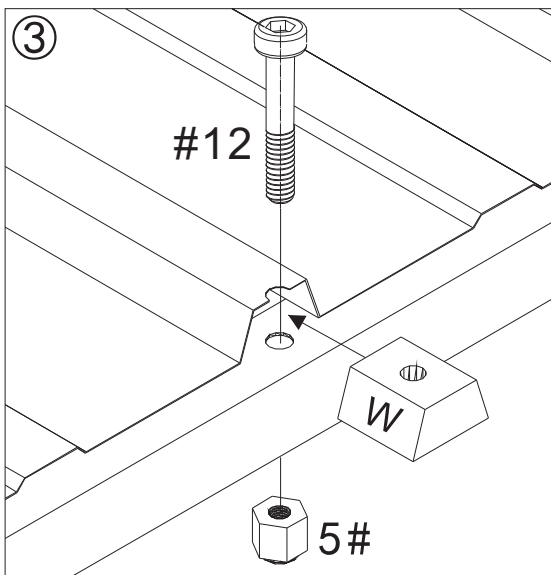
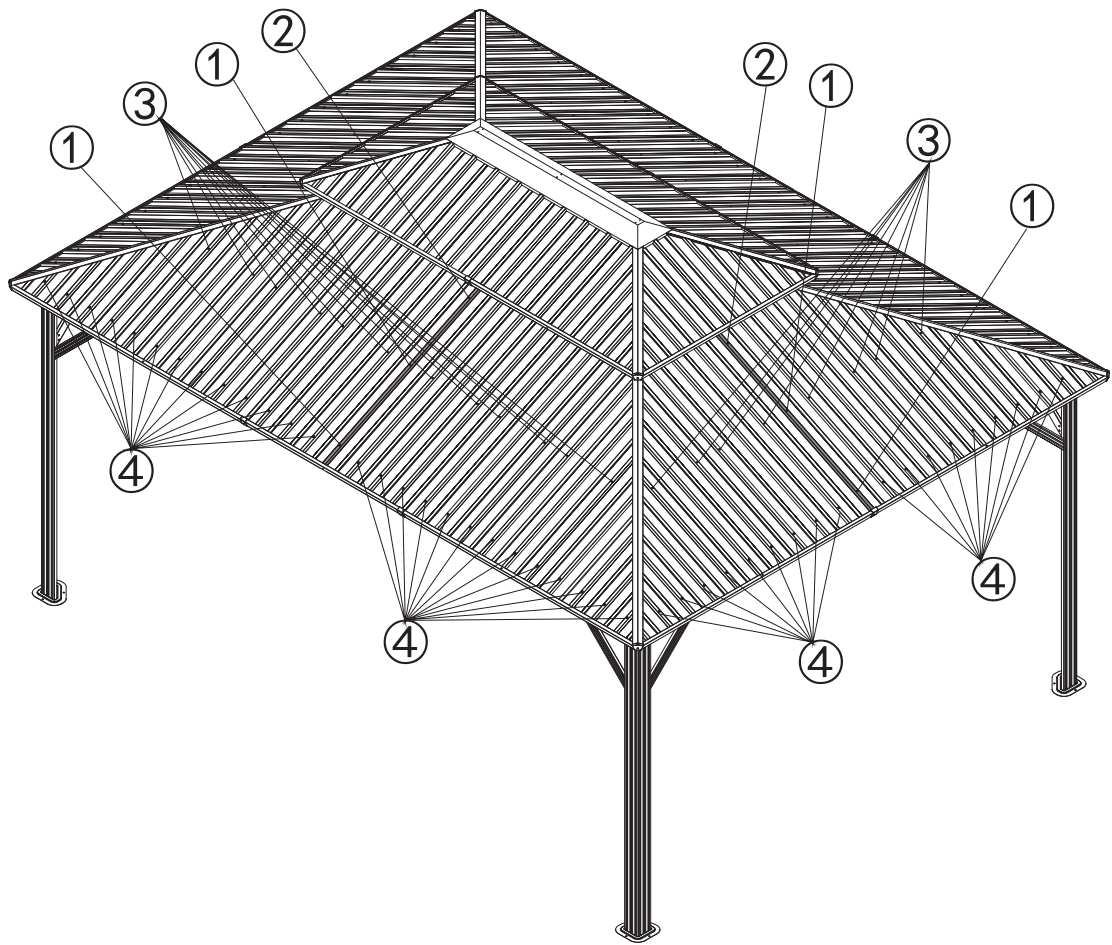
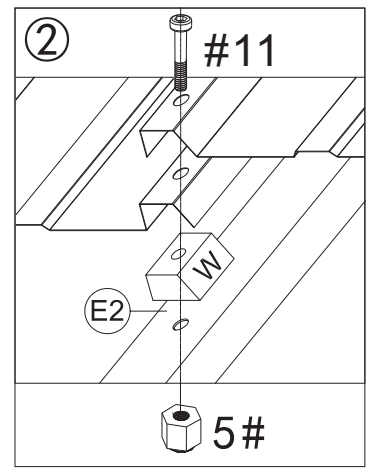
P8

P9

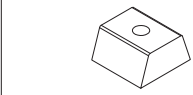
P10



▲ Part #W should be inserted between roof panels and solidifying bar or beams, then secure with bolts and nuts.



ATTENTION: The bigger roof panel need to cover the smaller one.



(W) 16x



(1) 1x



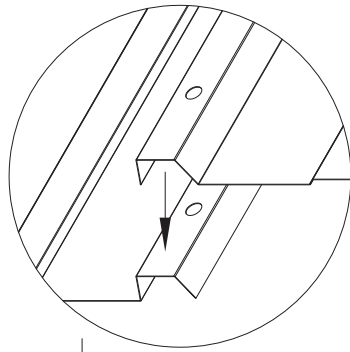
M6

(5) 16x

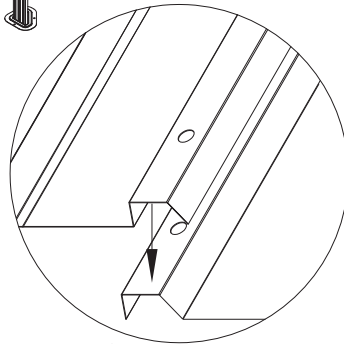
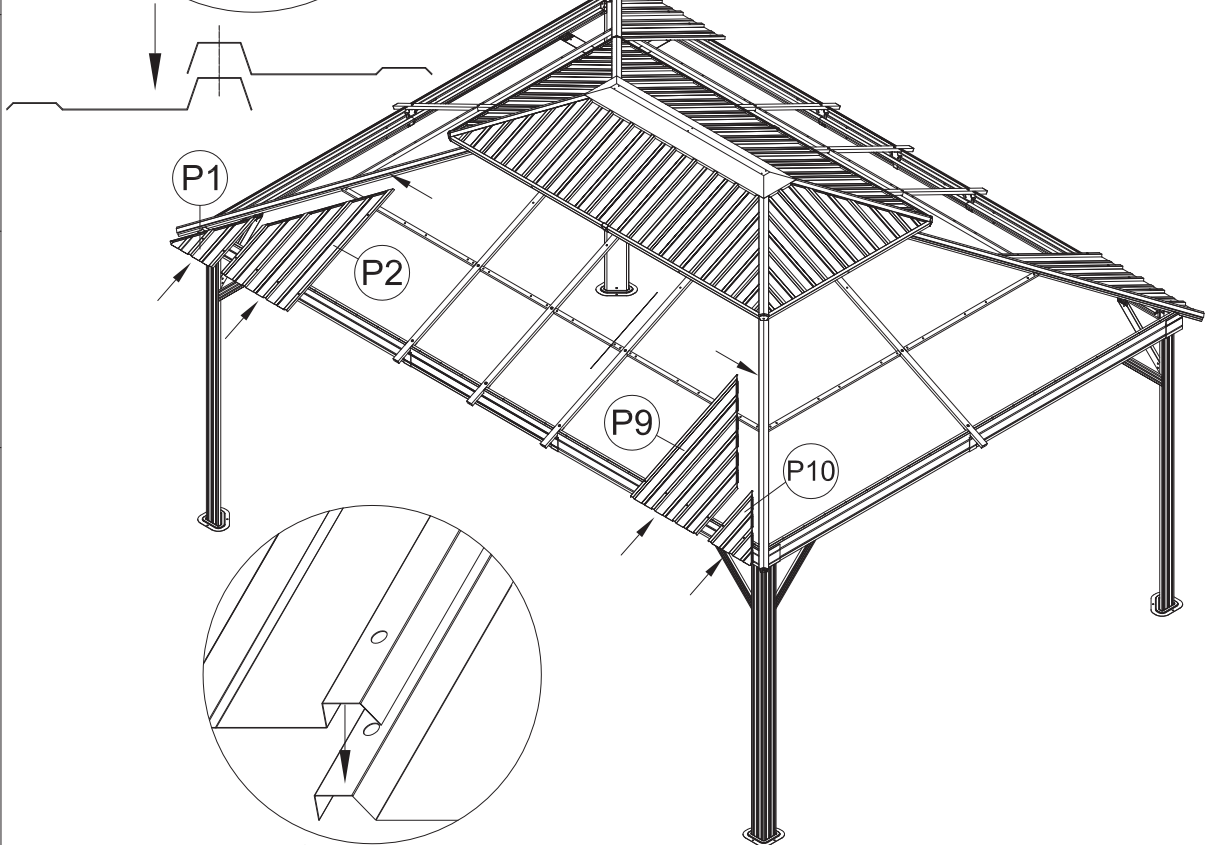


M6x28

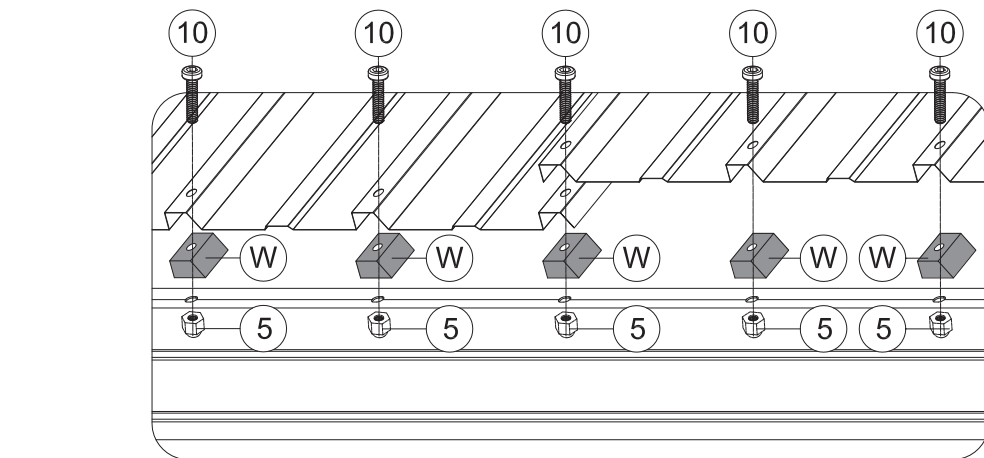
(10) 16x



(1) Insert Part #P1 and Part #P2 into the frame in sequence.

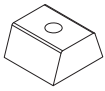


(2) Insert Part #P10 and Part #P9 into the frame in sequence.



(3) Place 8 Part #W between roof panels and beams. Then secure with 8 Bolts #10 and 8 Nuts #5.

(4) Repeat the above procedures to assemble the opposite side.



W 20x



1 1x



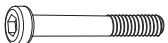
M6

5 20x



M6x28

10 12x

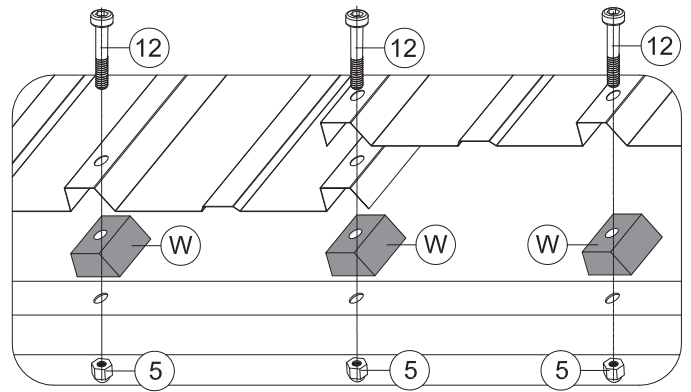
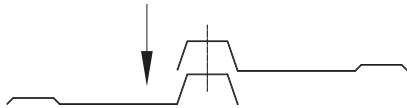


M6x50

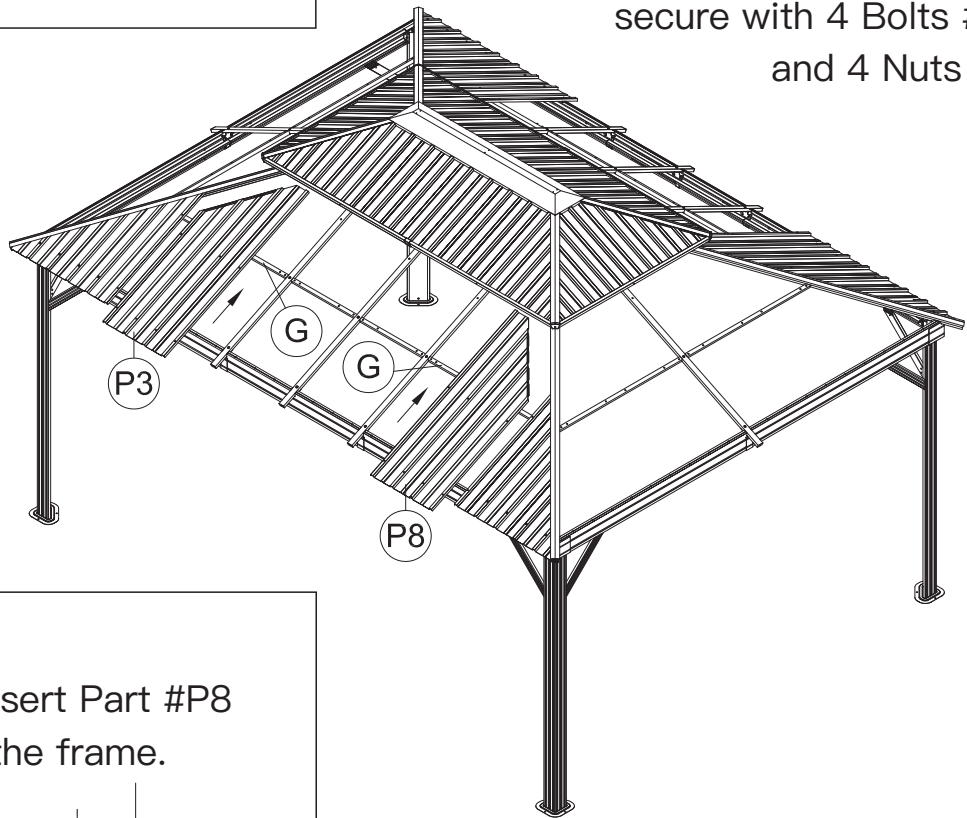
12 8x

ATTENTION: The bigger roof panel need to cover the smaller one.

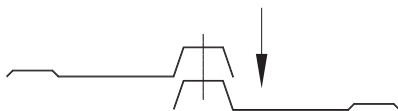
(1) Insert Part #P3 into the frame.



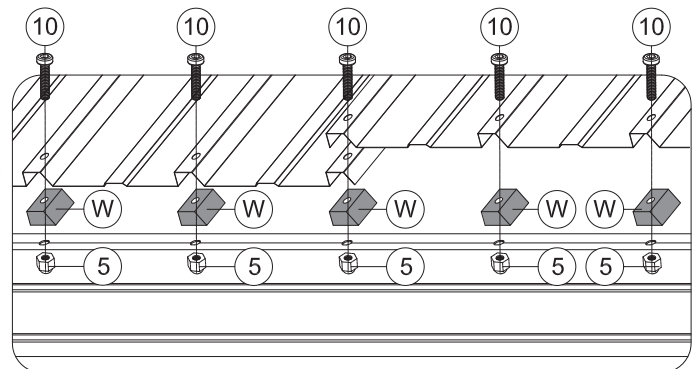
(3) Place 4 Part #W between roof panels and solidifying bars. Then secure with 4 Bolts #12 and 4 Nuts #5.



(2) Insert Part #P8 into the frame.

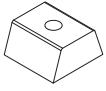


(4) Place 6 Part #W between roof panels and beams. Then secure with 6 Bolts #10 and 6 Nuts #5.



(5) Repeat the above procedures to assemble the opposite side.

ATTENTION: The bigger roof panel need to cover the smaller one.



W 20x



1 1x



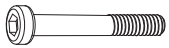
M6

5 20x



M6x28

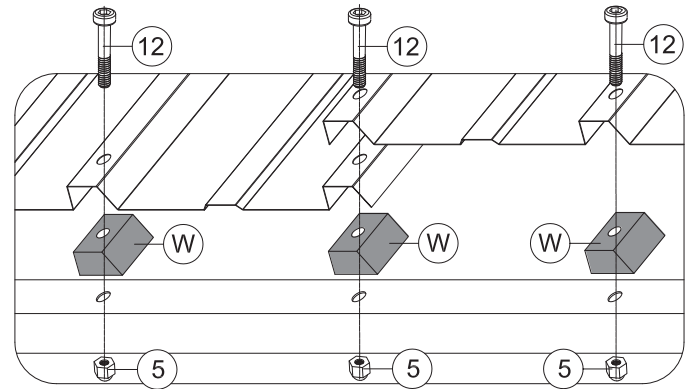
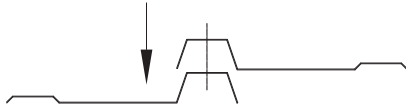
10 12x



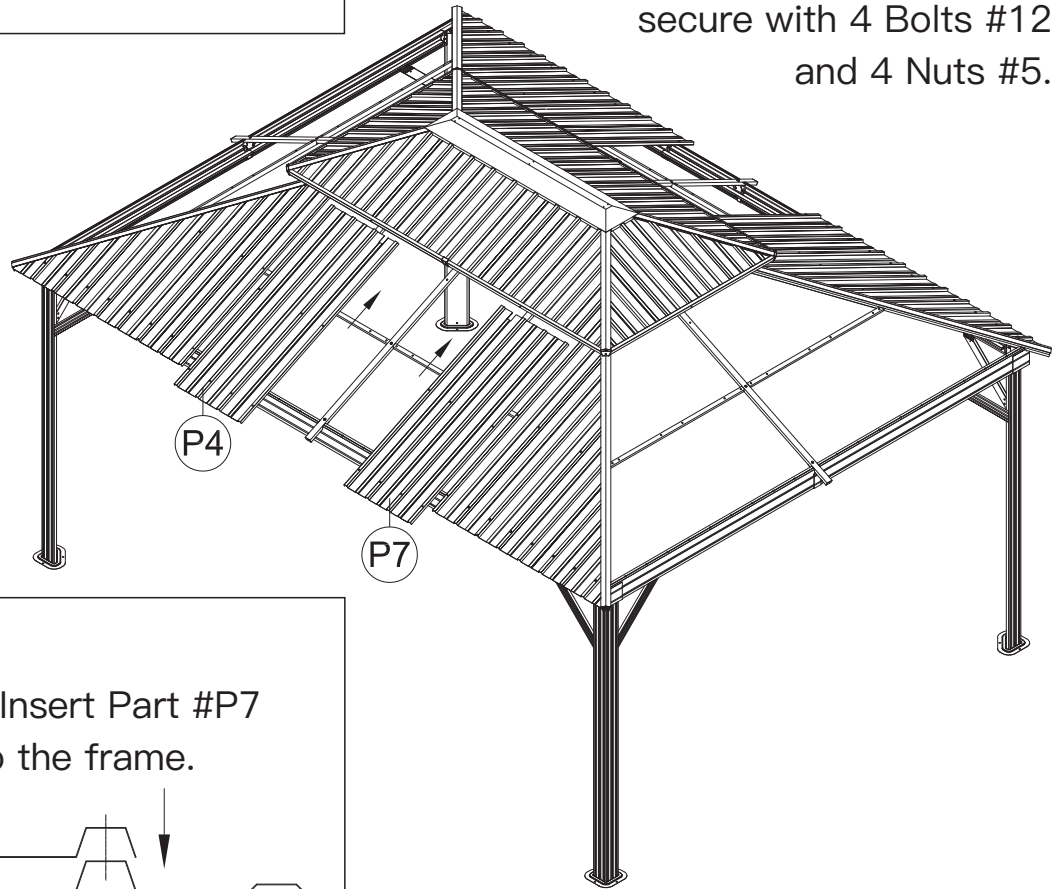
M6x50

12 8x

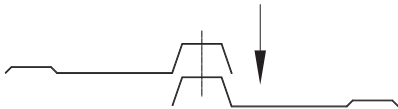
(1) Insert Part #P4 into the frame.



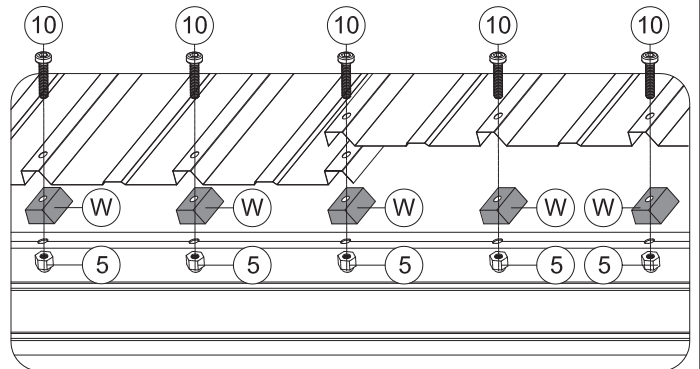
(3) Place 4 Part #W between roof panels and solidifying bars. Then secure with 4 Bolts #12 and 4 Nuts #5.



(2) Insert Part #P7 into the frame.

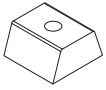


(4) Place 6 Part #W between roof panels and beams. Then secure with 6 Bolts #10 and 6 Nuts #5.



40

(5) Repeat the above procedures to assemble the opposite side.



W 24x

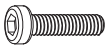


1 1x



M6

5 20x



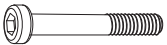
M6x25

9 4x



M6x28

10 12x

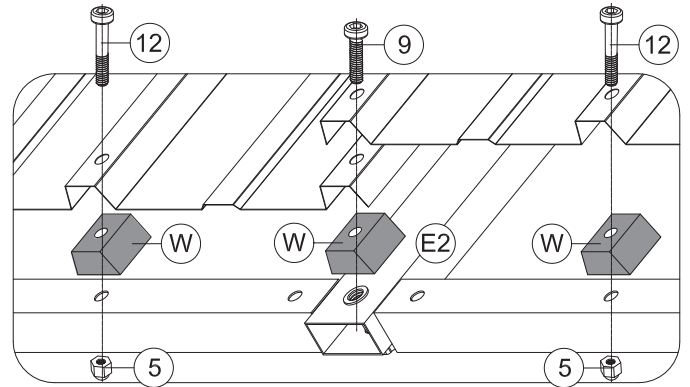


M6x50

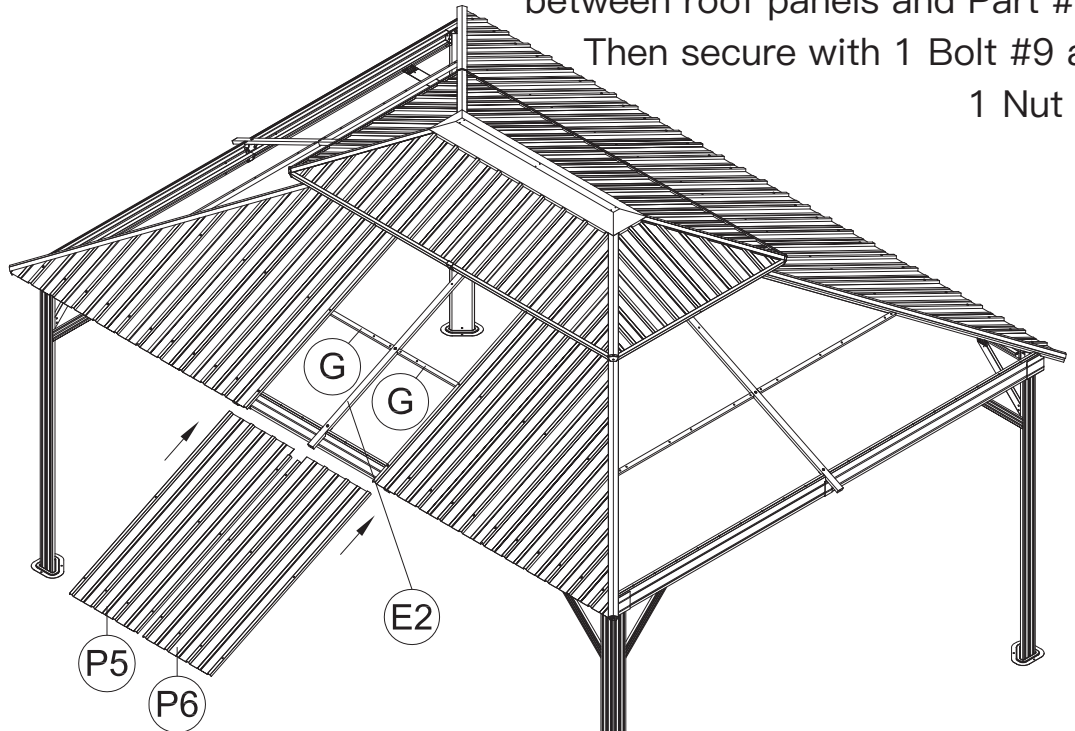
12 8x

ATTENTION: The bigger roof panel need to cover the smaller one.

(1) Insert Part #P5 into the frame.



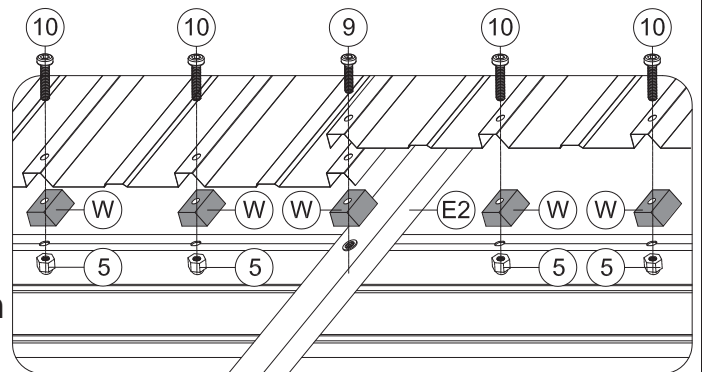
(3) Place 4 Part #W between roof panels and solidifying bars. Then secure with 4 Bolts #12 and 4 Nuts #5; Place 1 Part #W between roof panels and Part #E2. Then secure with 1 Bolt #9 and 1 Nut #5.



(2) Insert Part #P6 into the frame.

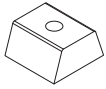


(4) Place 6 Part #W between roof panels and beams. Then secure with 6 Bolts #10 and 6 Nuts #5; Place 1 Part #W between roof panels and Part #E2. Then secure with 1 Bolt #9 and 1 Nut #5.

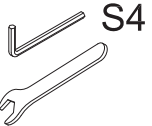


(5) Repeat the above procedures to assemble the opposite side.

ATTENTION: The bigger roof panel need to cover the smaller one.



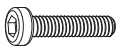
W 12x



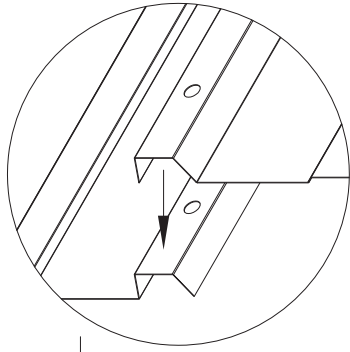
1 1x



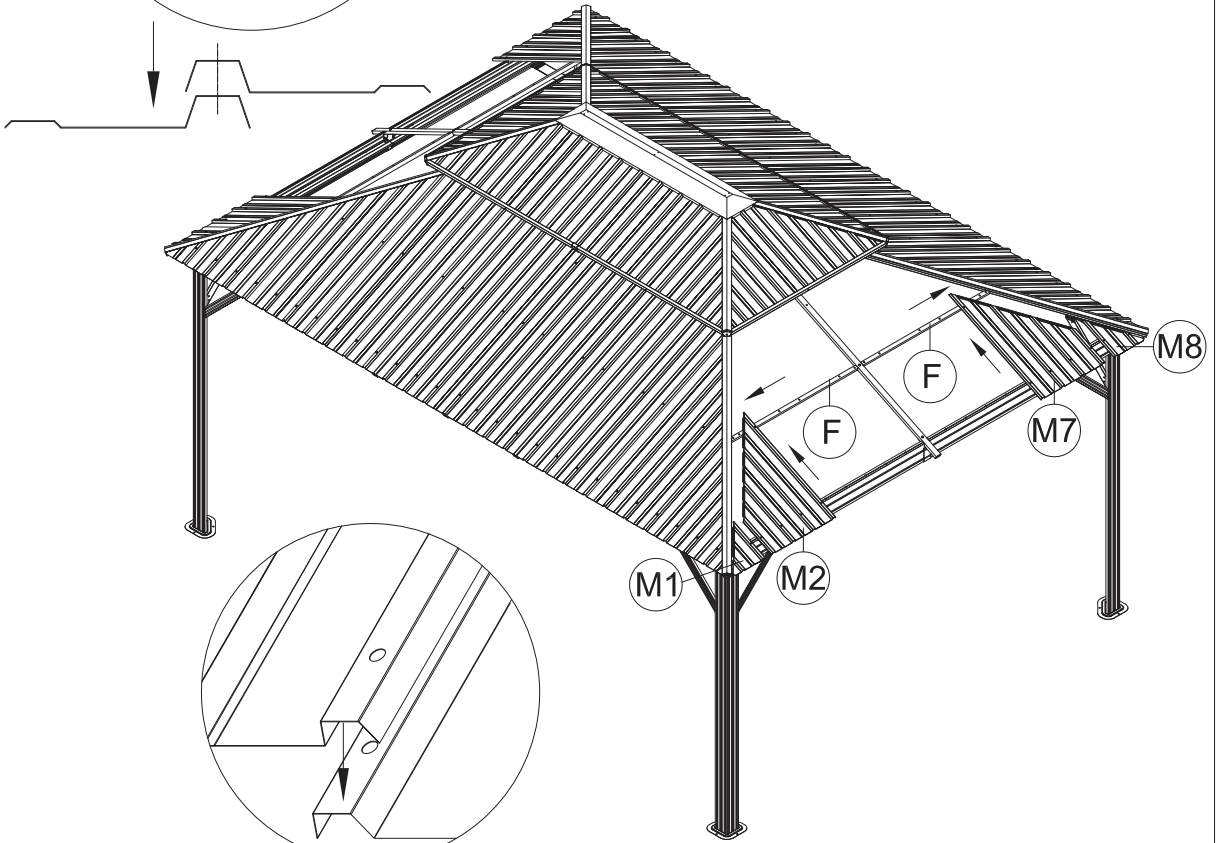
M6
5 12x



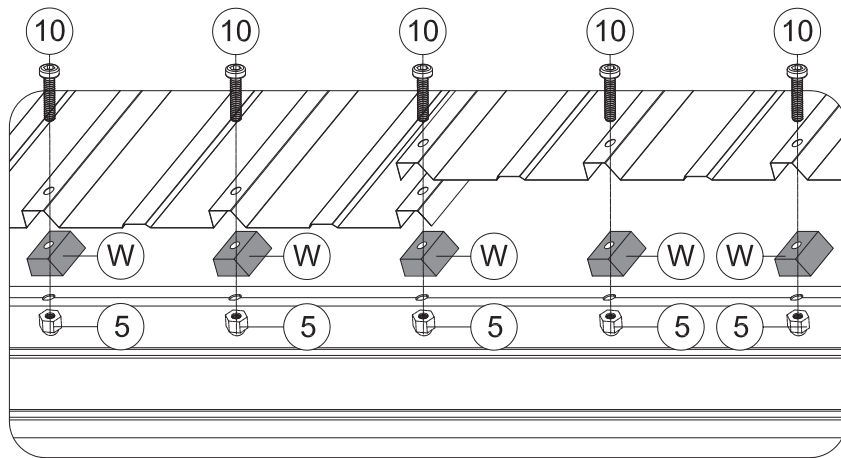
M6x28
10 12x



(1) Insert Part #M1 and Part #M2 into the frame in sequence.

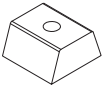


(2) Insert Part #M8 and Part #M7 into the frame in sequence.



(3) Place 6 Part #W between roof panels and beams.
Then secure with 6 Bolts #10 and 6 Nuts #5.

(4) Repeat the above procedures to assemble the opposite side.



W 20x



1 1x



M6

5 20x



M6x28

10 12x

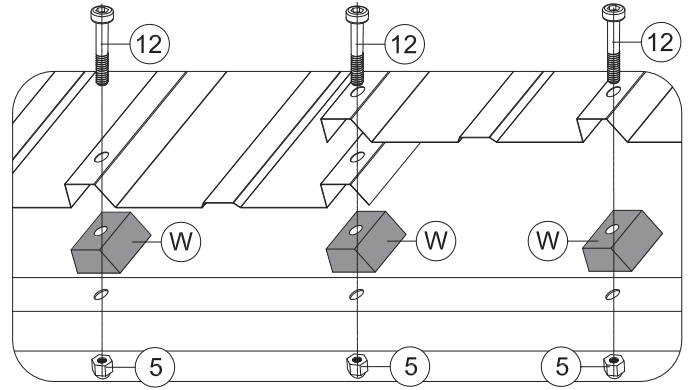
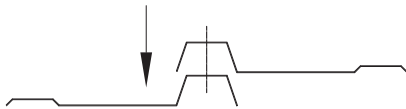


M6x50

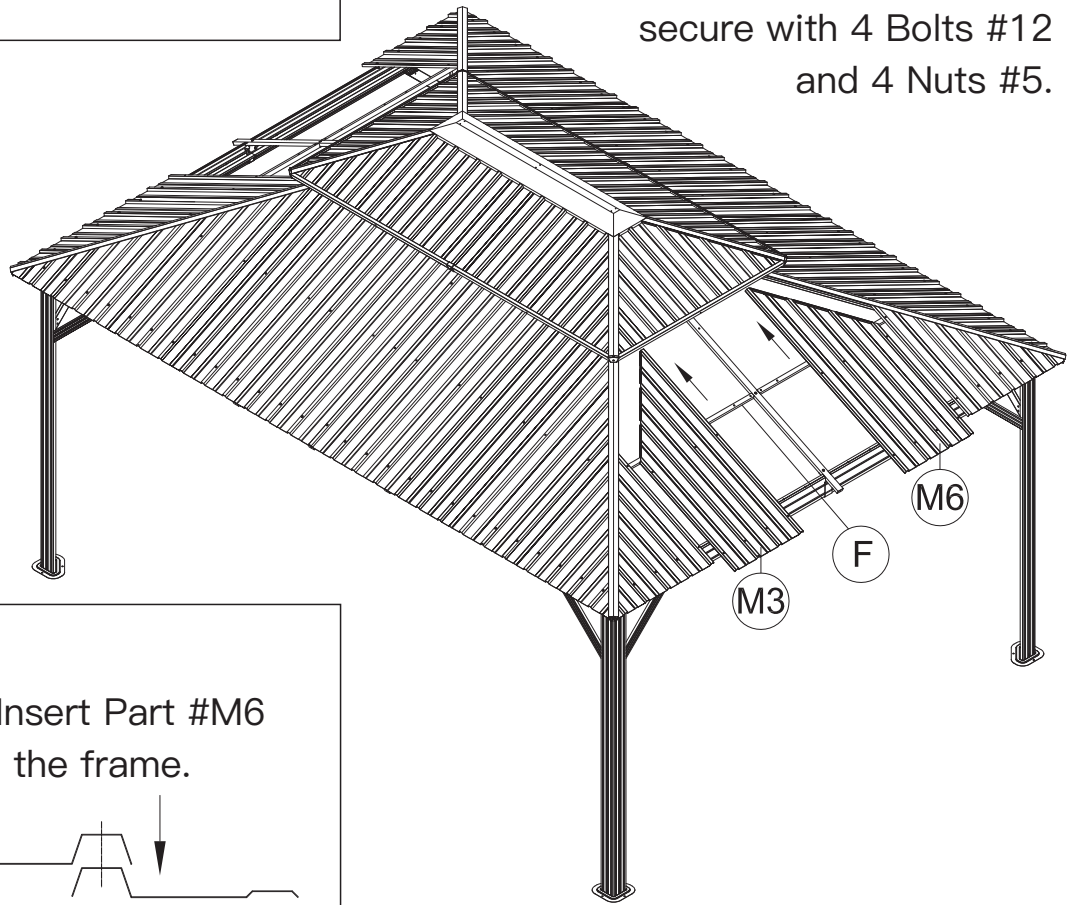
12 8x

ATTENTION: The bigger roof panel need to cover the smaller one.

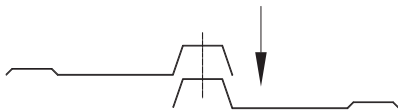
(1) Insert Part #M3 into the frame.



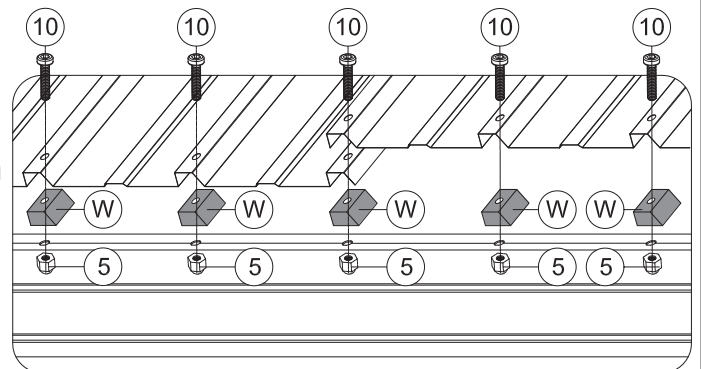
(3) Place 4 Part #W between roof panels and solidifying bars. Then secure with 4 Bolts #12 and 4 Nuts #5.



(2) Insert Part #M6 into the frame.

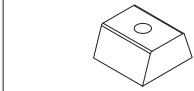


(4) Place 6 Part #W between roof panels and beams. Then secure with 6 Bolts #10 and 6 Nuts #5.

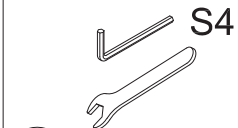


(5) Repeat the above procedures to assemble the opposite side.

ATTENTION: The bigger roof panel need to cover the smaller one.

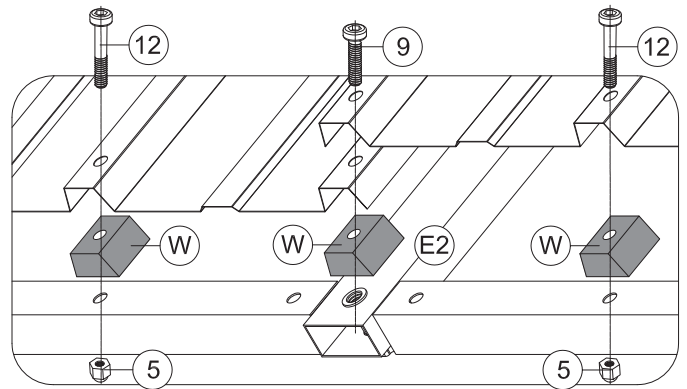


W 24x



1 1x

(1) Insert Part #M4 into the frame.

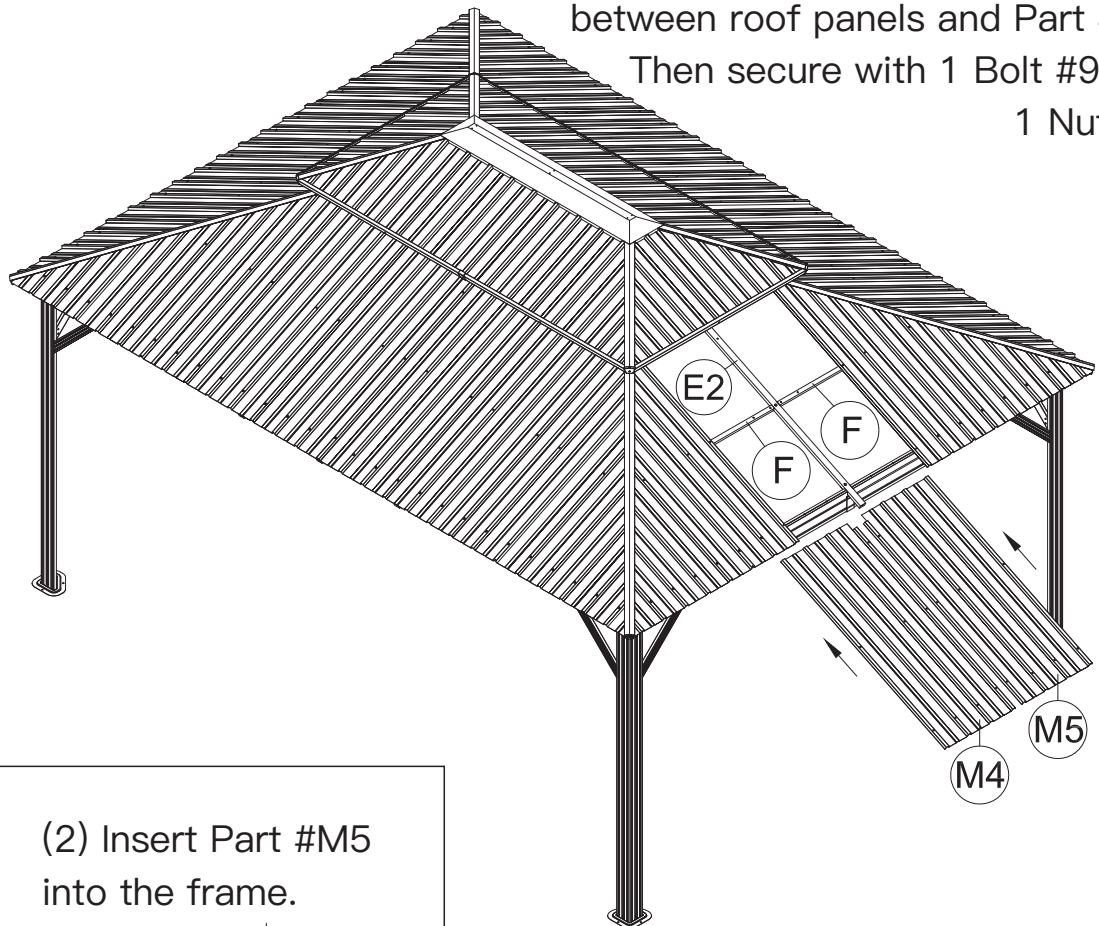


5 20x

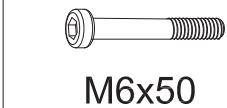
(3) Place 4 Part #W between roof panels and solidifying bars. Then secure with 4 Bolts #12 and 4 Nuts #5; Place 1 Part #W between roof panels and Part #E2. Then secure with 1 Bolt #9 and 1 Nut #5.



9 4x

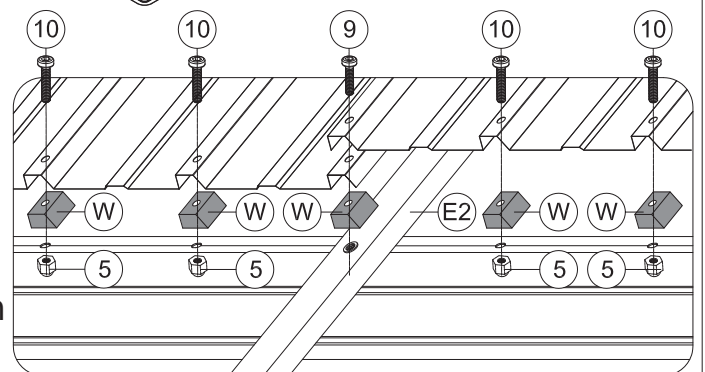
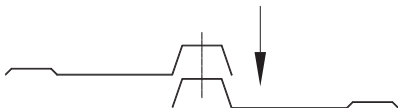


10 12x



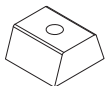
12 8x

(2) Insert Part #M5 into the frame.



(4) Place 6 Part #W between roof panels and beams. Then secure with 6 Bolts #10 and 6 Nuts #5; Place 1 Part #W between roof panels and Part #E2. Then secure with 1 Bolt #9 and 1 Nut #5.

(5) Repeat the above procedures to assemble the opposite side.



W 4x



1 1x



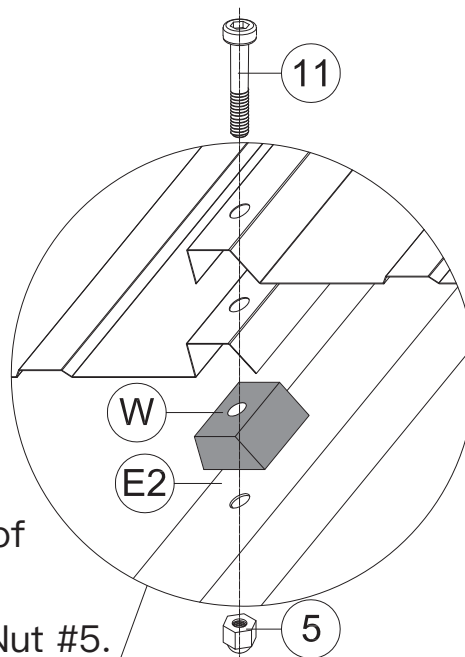
M6

5 4x

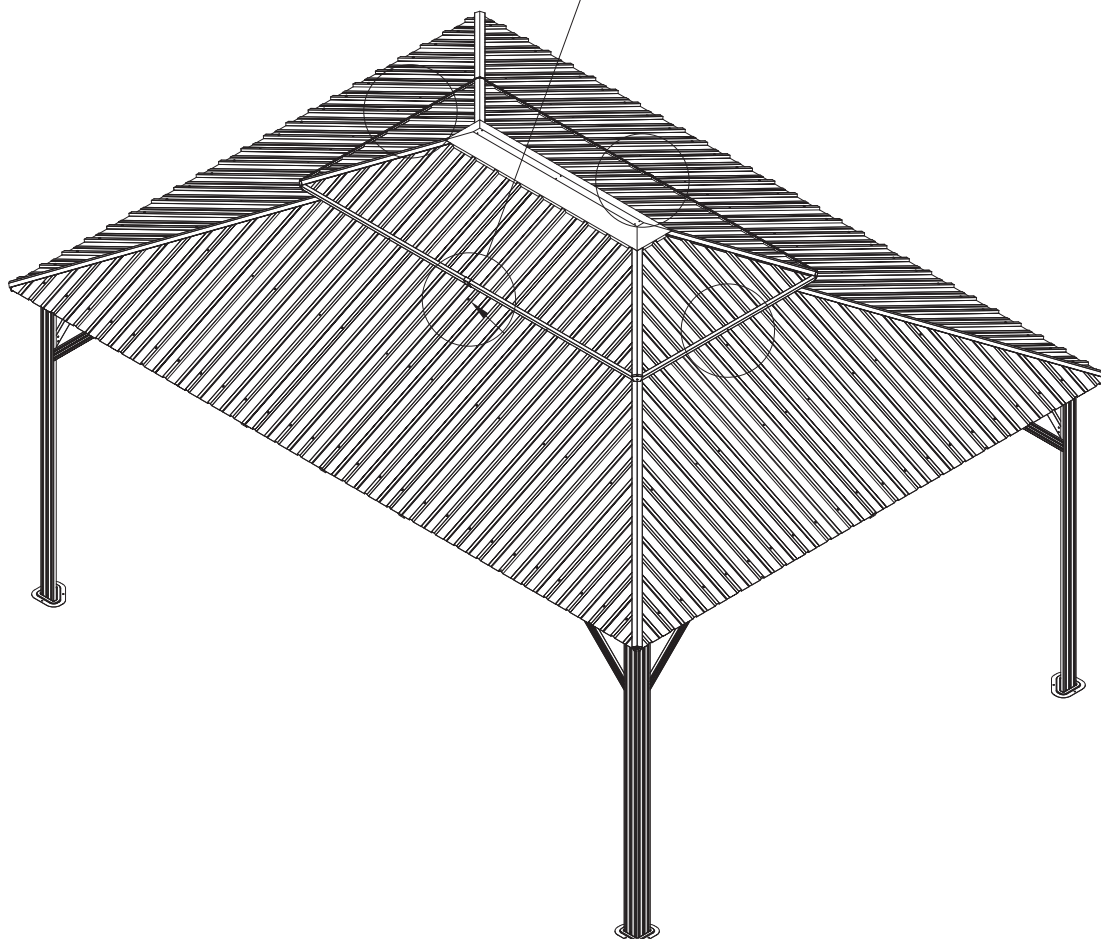


M6x45

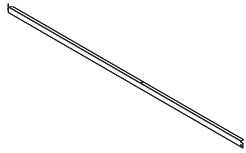
11 4x



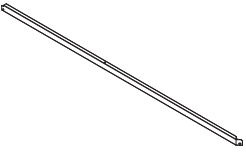
Place Part #W between roof panels and Part #E2. Then secure with Bolt #11 and Nut #5.



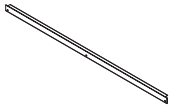
Repeat the above procedures to assemble the other 3 sides.



K2 2x



K3 2x



K4 2x



X2 4x

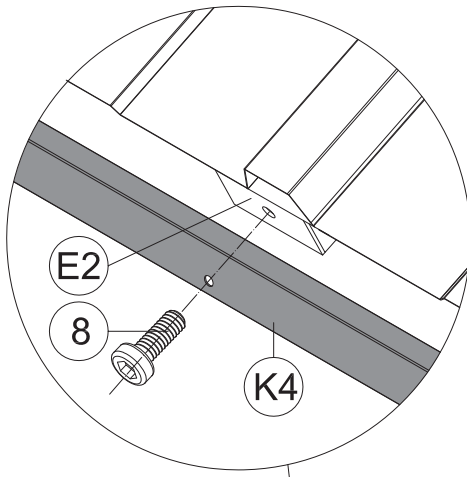


1 1x

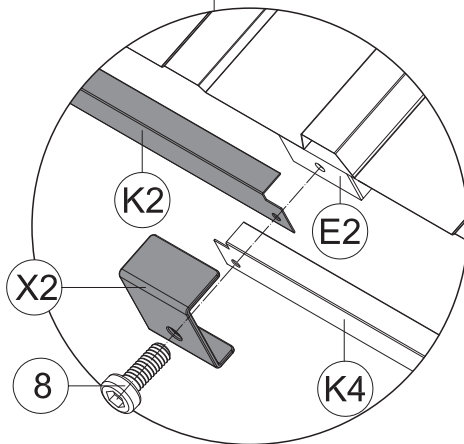
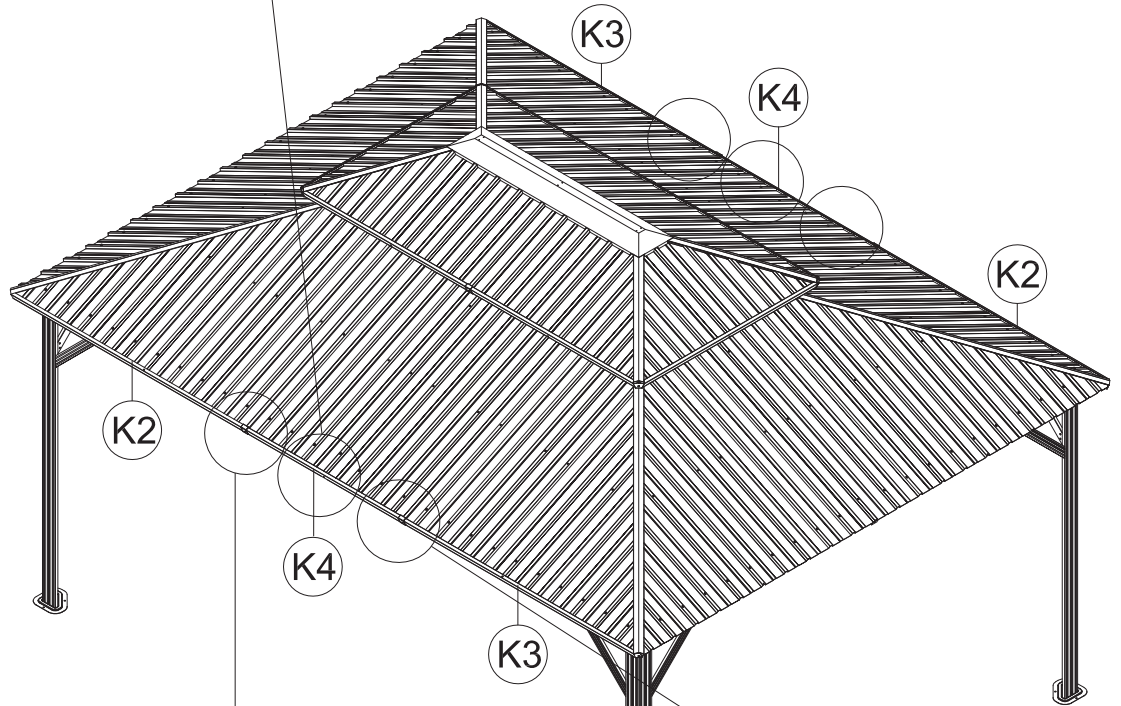


M6x16

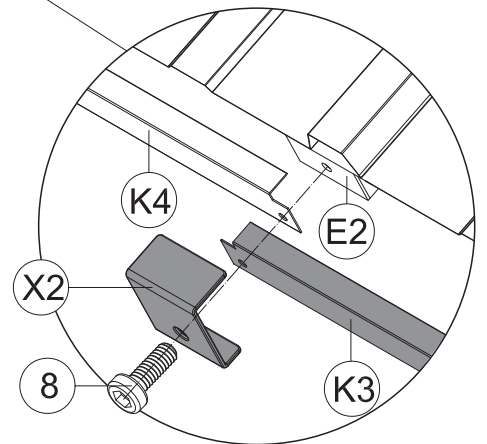
8 6x



(1) Attach Part #K4 to Part #E2, securing with Bolt #8.

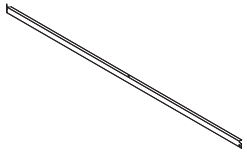


(2) Place Part #K3 on Part #K4 and Part #E2; Put on Part #X2 and secure with Bolt #8.

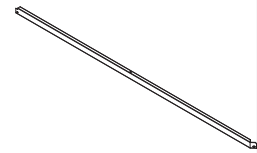


(3) Place Part #K2 on Part #K4 and Part #E2; Put on Part #X2 and secure with Bolt #8.

(4) Repeat the above procedures to assemble the opposite side.



(K) 2x



(K1) 2x



(X2) 2x



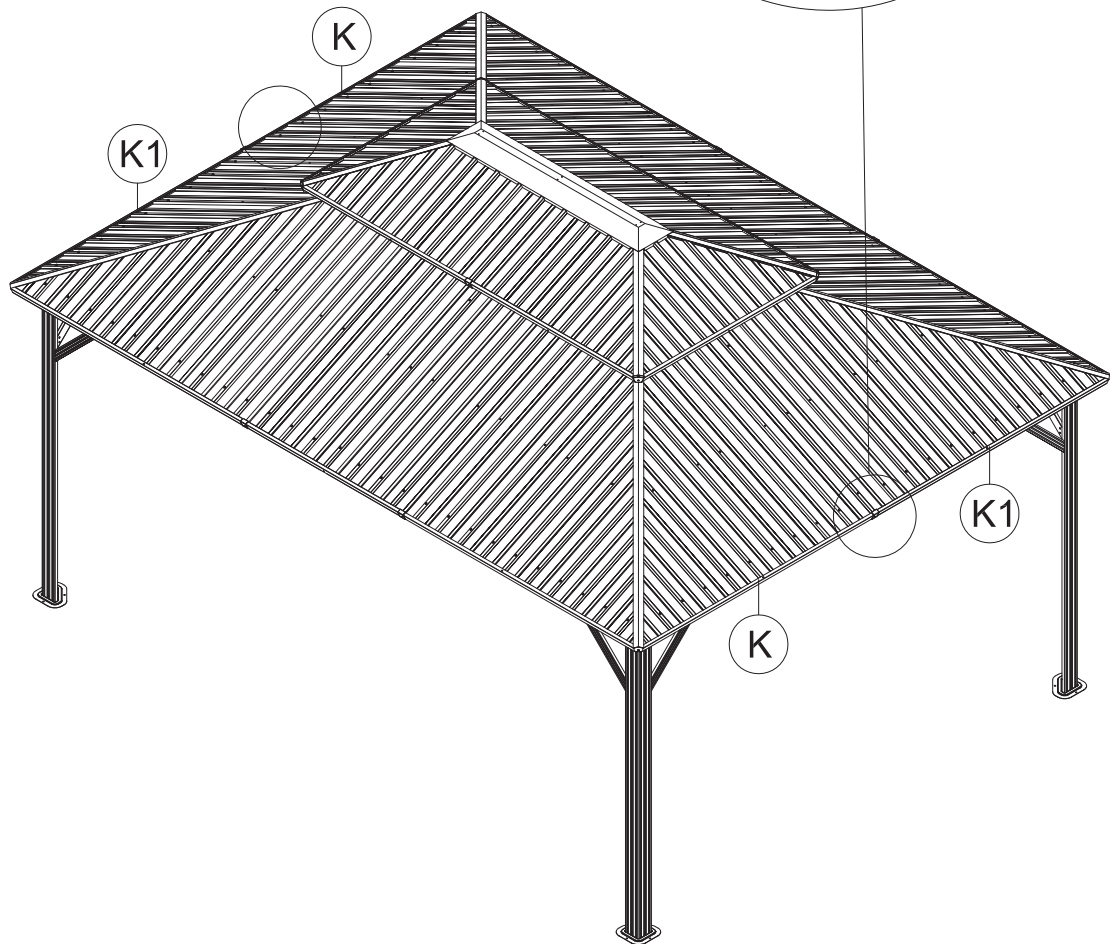
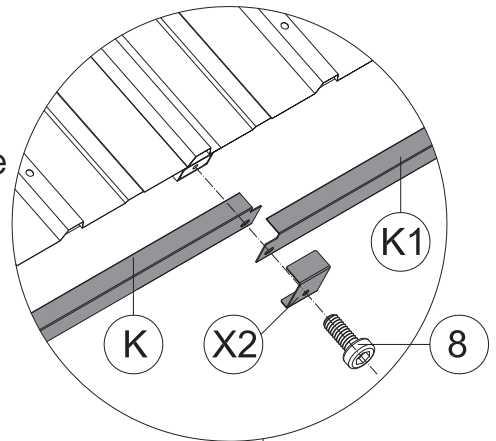
(1) 1x



M6x16

(8) 2x

Attach Part #K and Part #K1 to the frame; Put on Part #X2 and secure with Bolt #8.



Repeat the above procedures to assemble the opposite side.



X3 4x

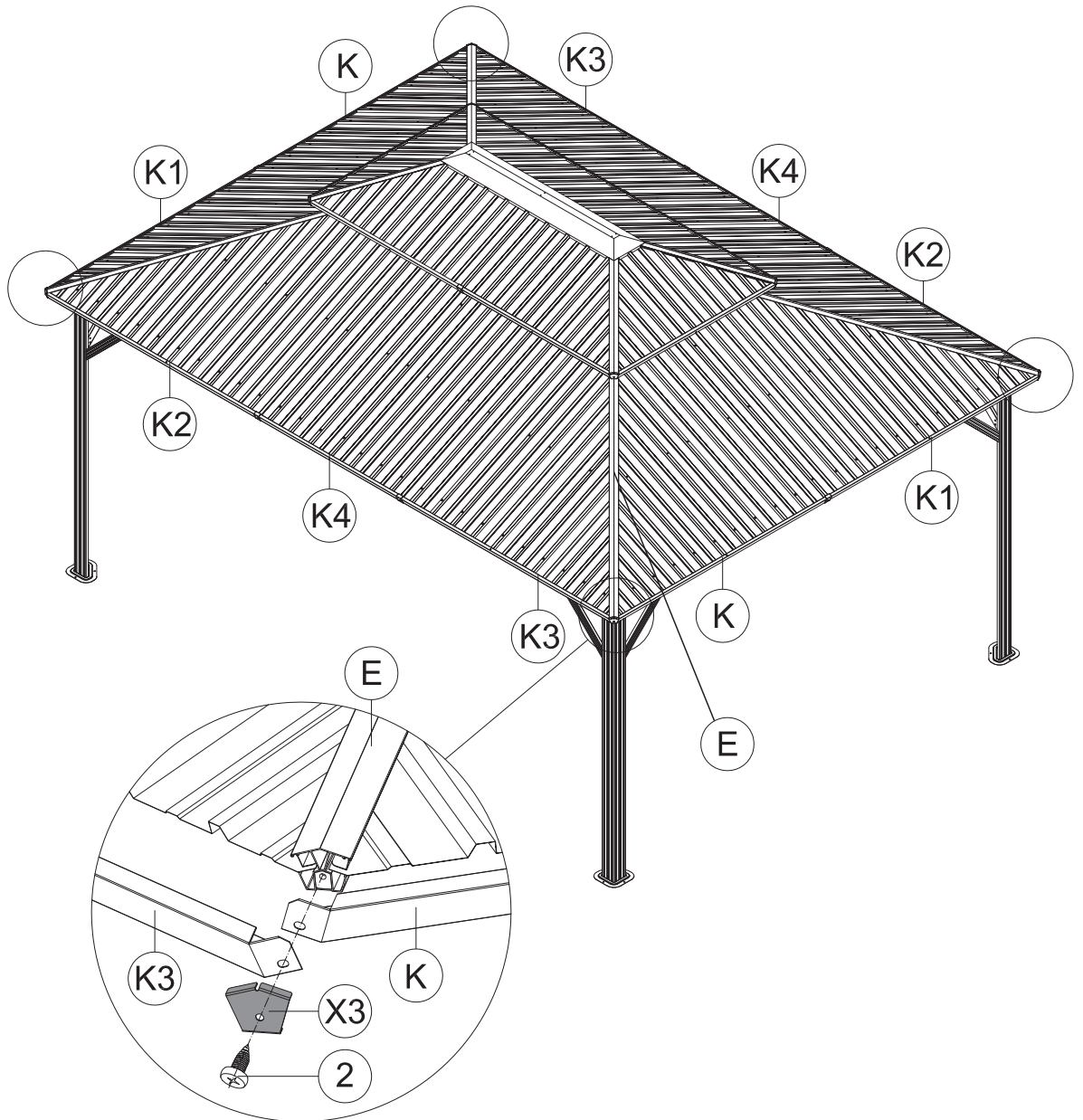


1 1x



ST6.3x15

2 4x



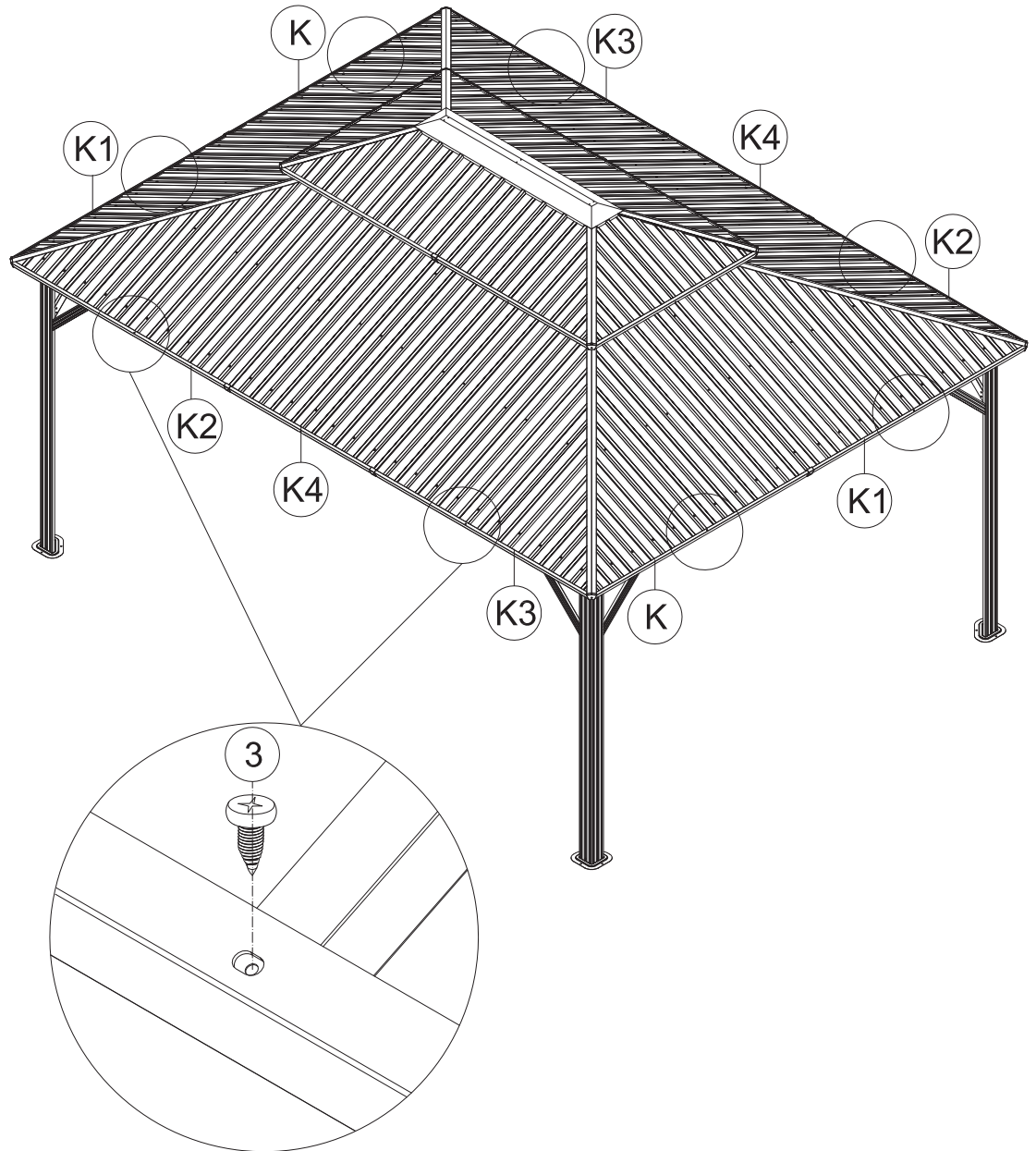
Place Part #K and Part #K3 on Part #E;
Put on Part #X3 and secure with Self-tapping Screw #2.

Repeat the above procedures to assemble the other 3 corners.



ST5x16

3 8x



Attach roof panels to finishing bars with 2 Self-tapping Screws #3.

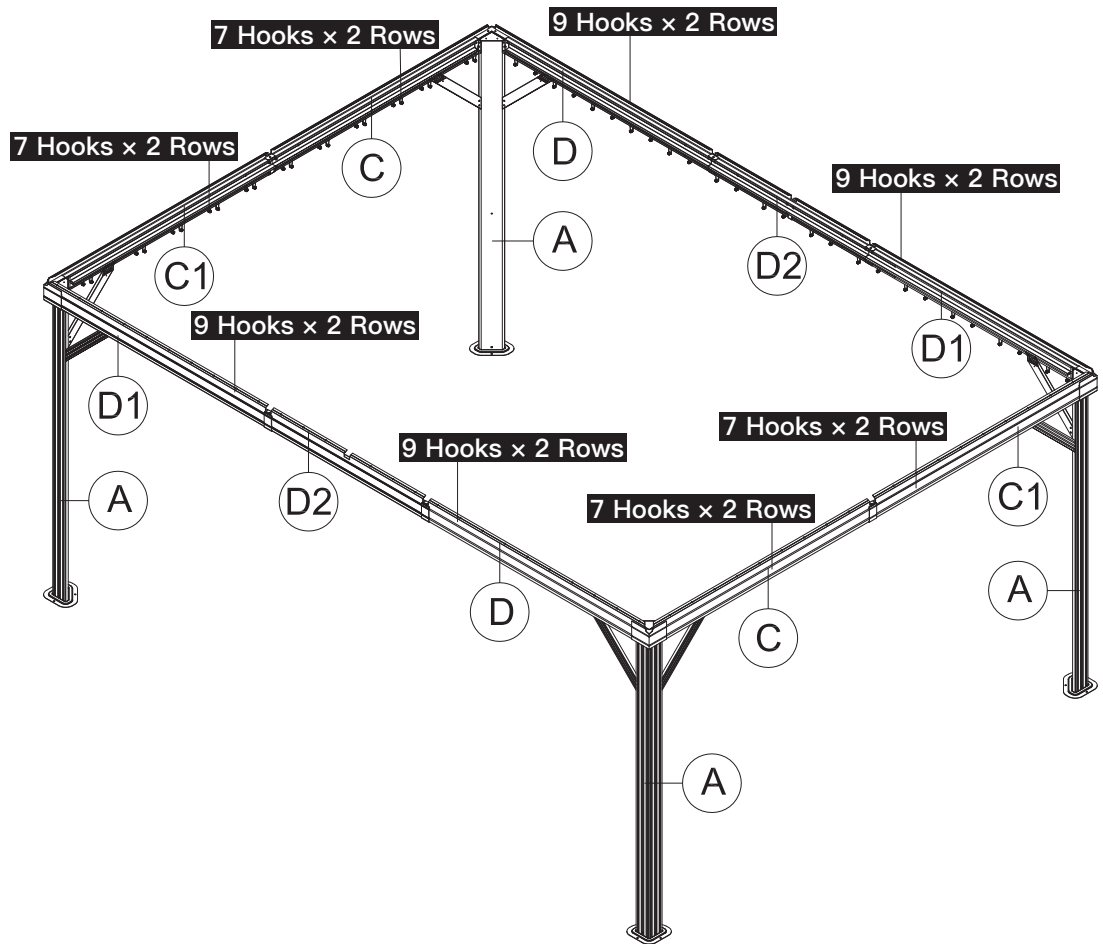
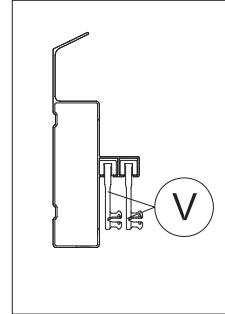
Repeat the above procedures to assemble the other 3 sides.

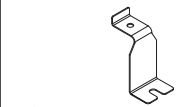


V 128X

How to Put the 128 Hooks into the Double-track

Double-track





T1 2x



V 56x



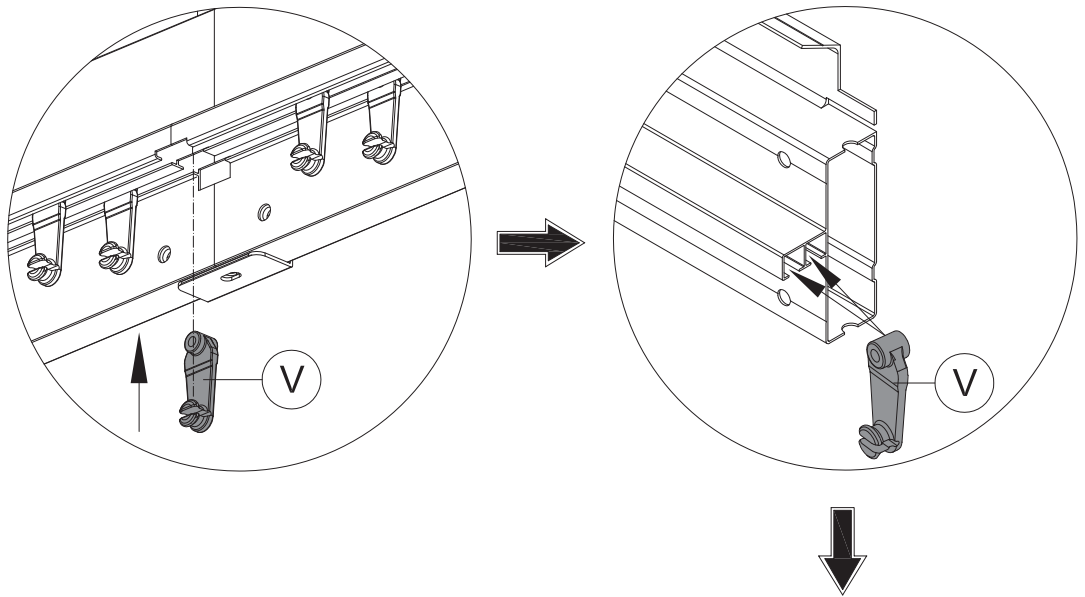
1 1x



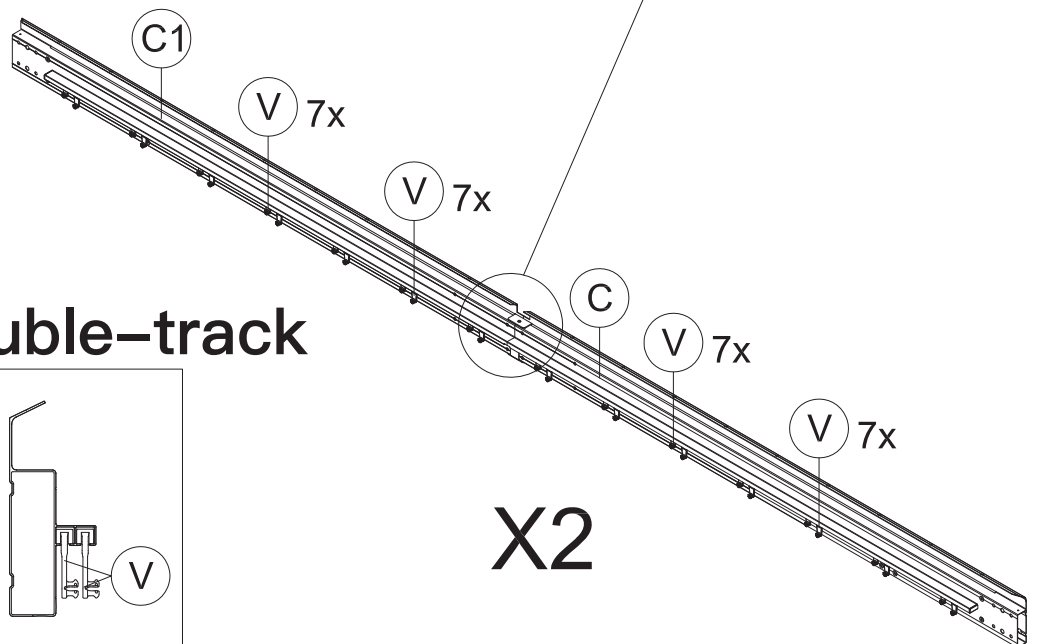
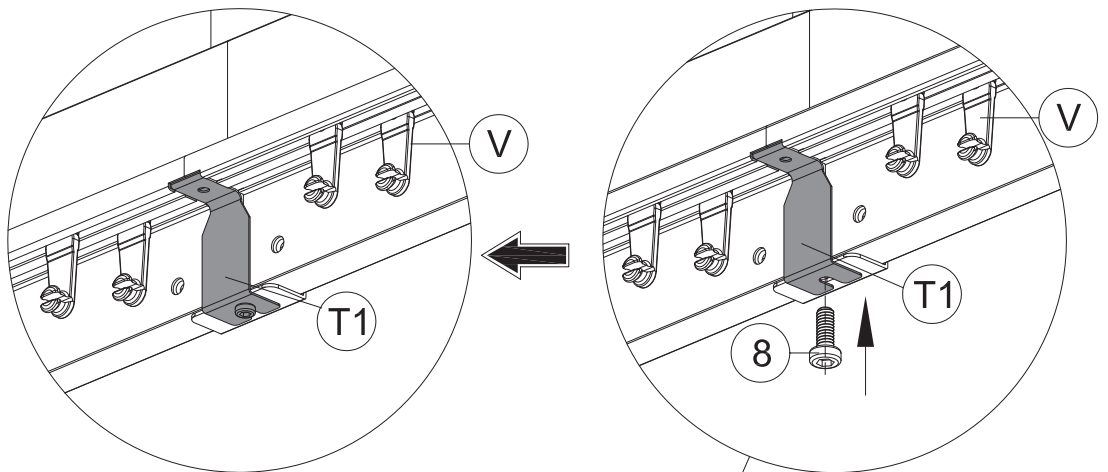
M6x16

8 2x

(1) Place 7 hooks on each slot of the Sidewall Track(C1&C).

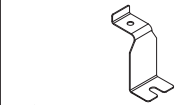


(2) Install Part #T1 at the joint of Part C&C1 with Bolt #8.



Double-track

(3) Repeat the above procedures to assemble the opposite side.



T1 2x



V 72x



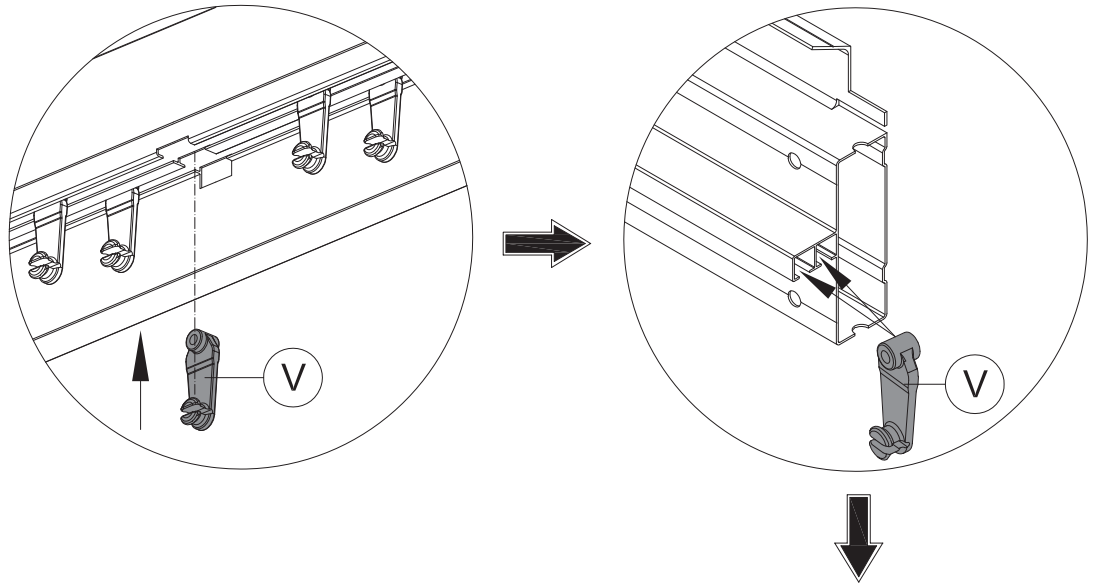
1 1x



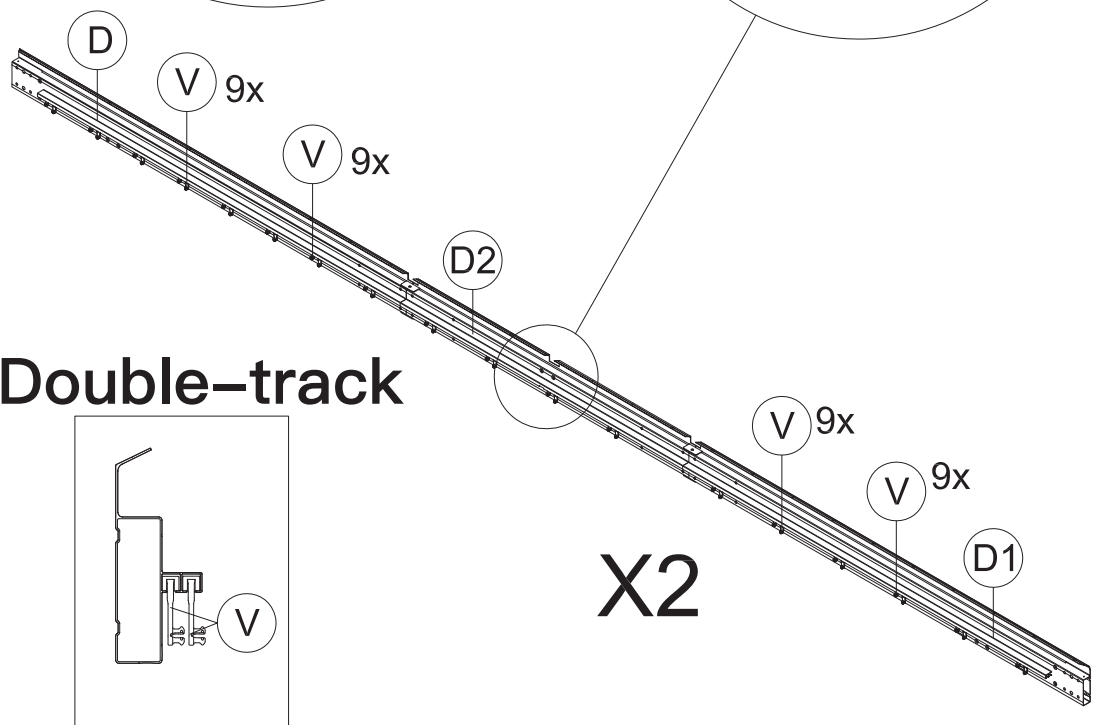
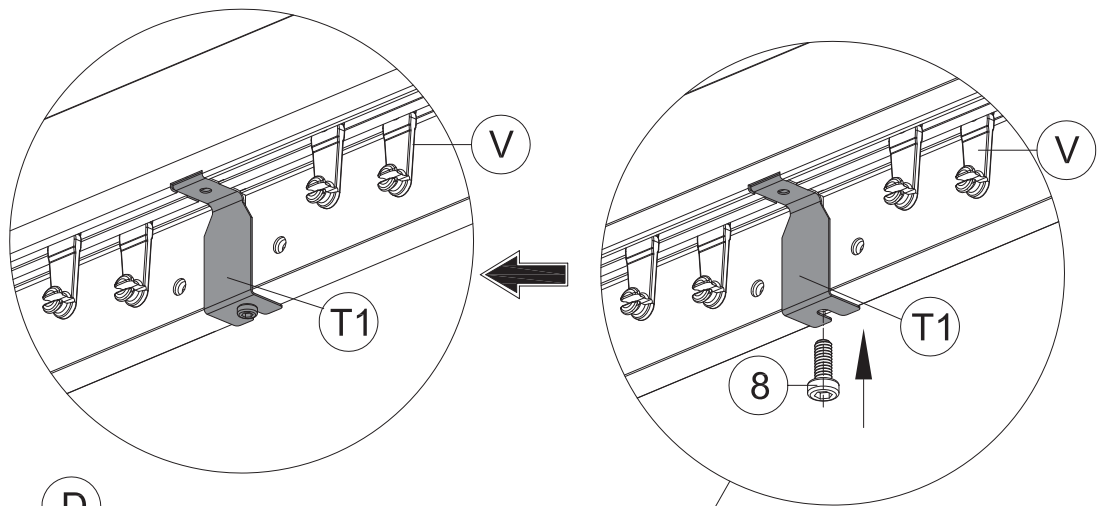
M6x16

8 2x

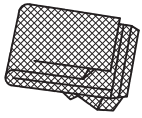
(1) Place 9 hooks on each slot of the Sidewall Track(D&D1&D2).



(2) Install Part #T1 at the middle of Part #D2 with Bolt #8 .

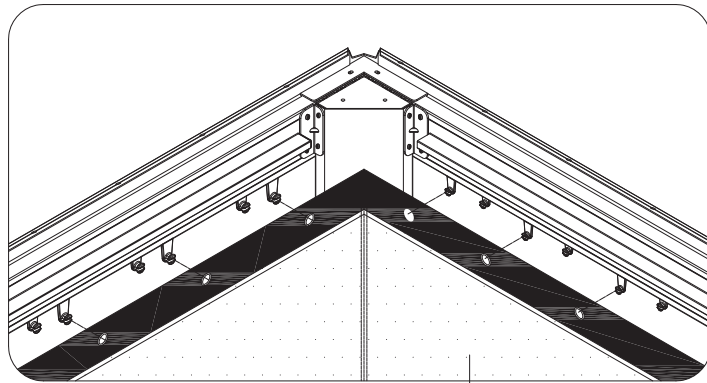


(3) Repeat the above procedures to assemble the opposite side.

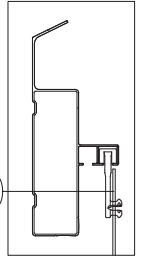


Y1 4x

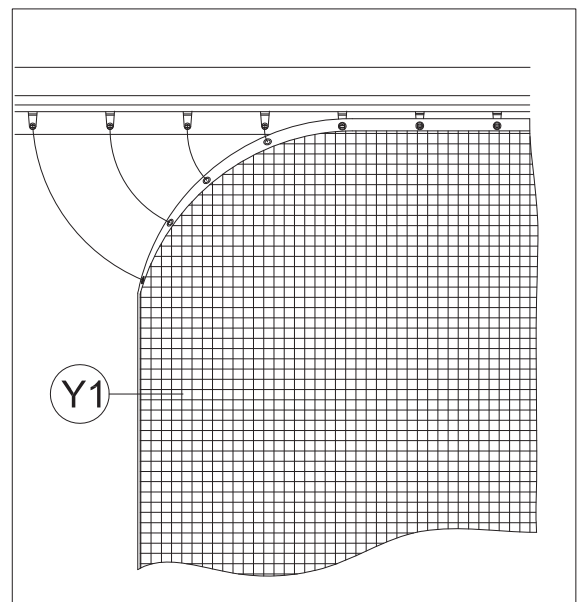
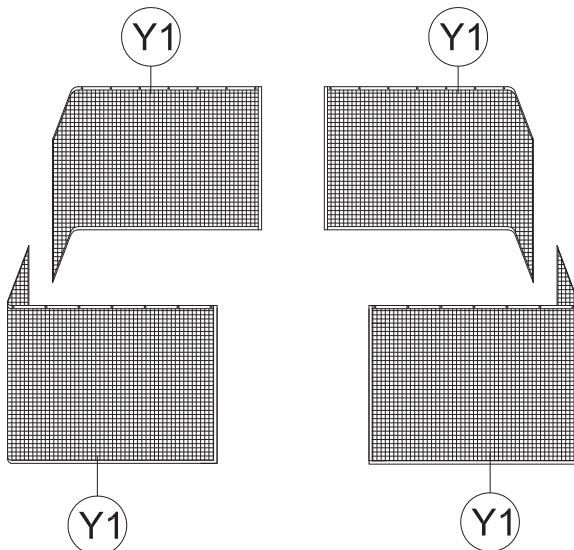
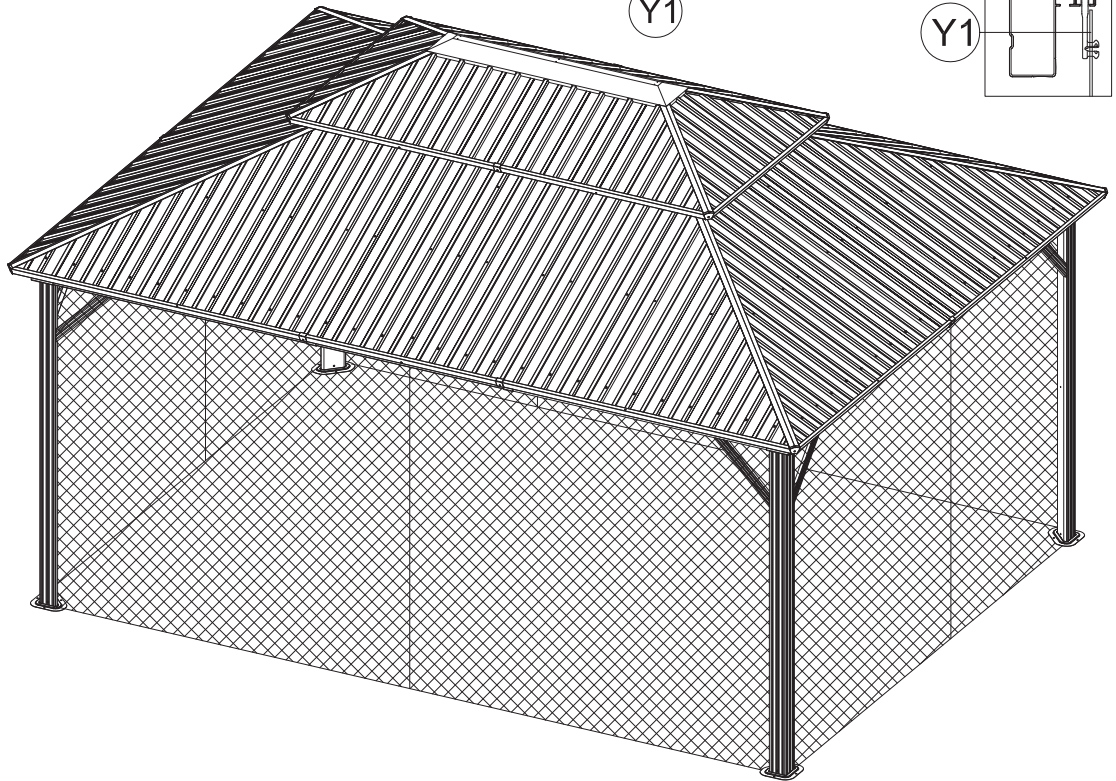
Hang up Mosquito Sidewalls to Inside Track

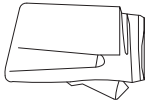


Y1



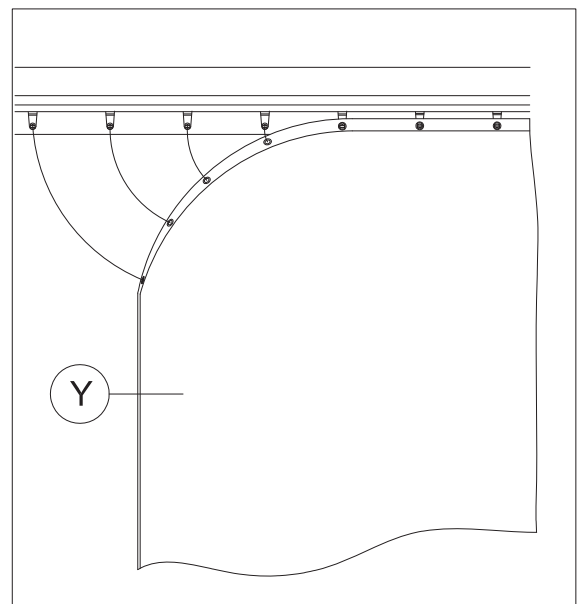
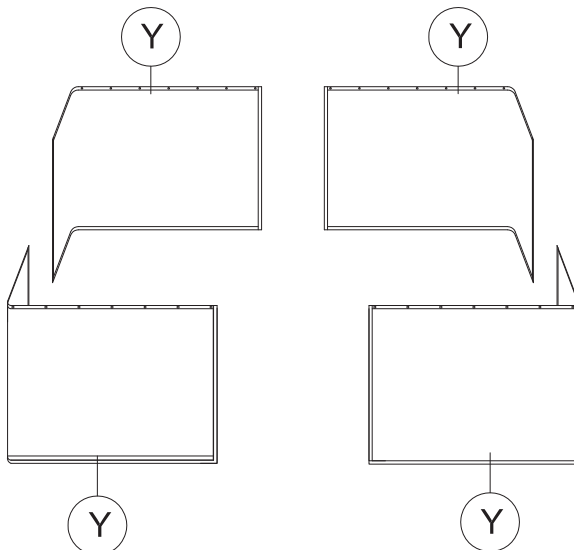
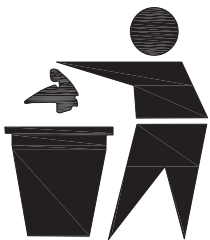
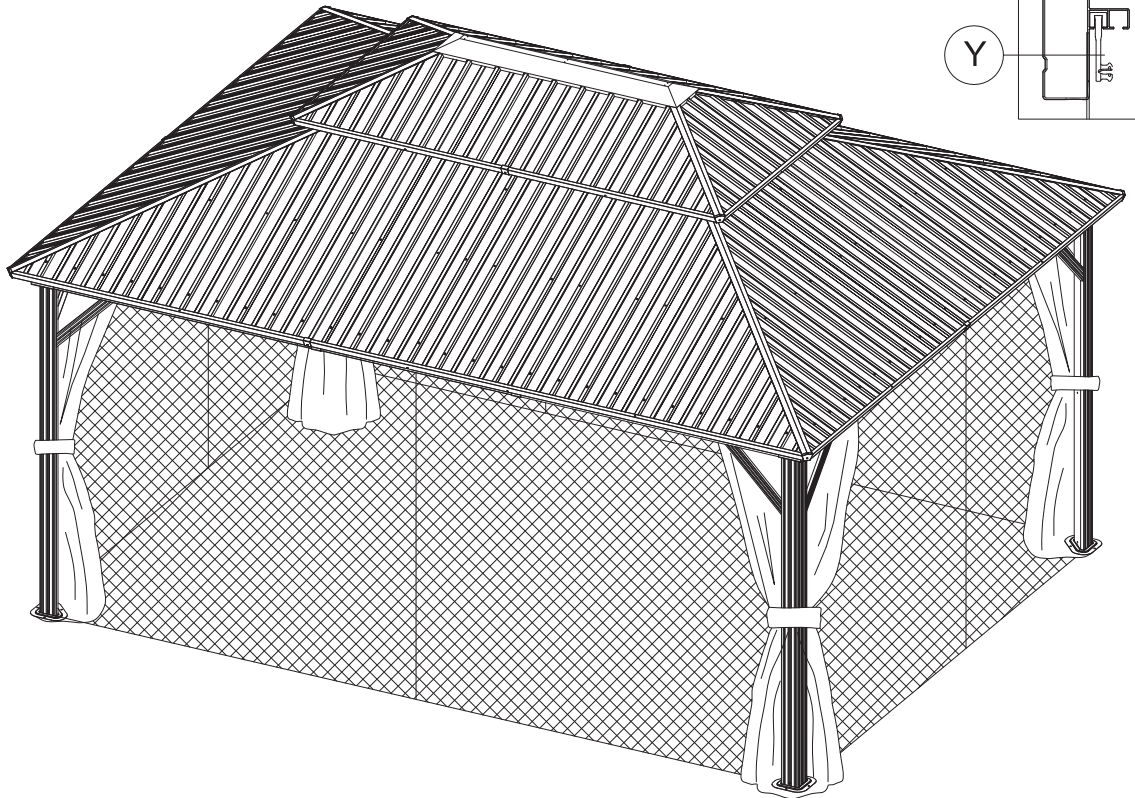
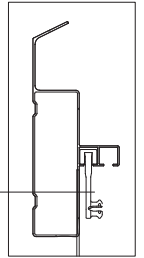
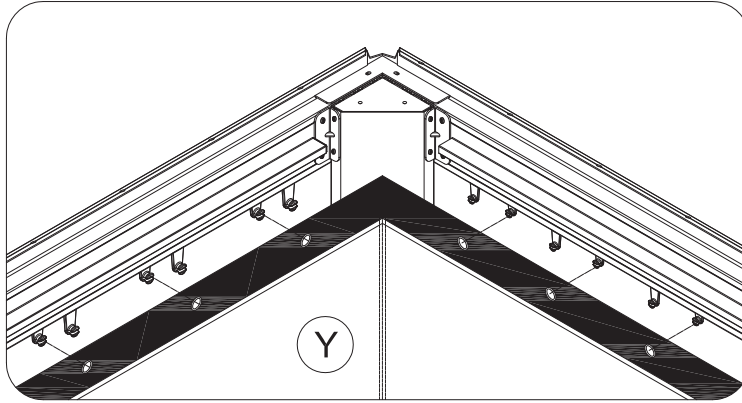
Y1





Y 4x

Hang up Solid Sidewalls to Outside Track





RESORT COMFORT IN YONR
OWN BACKYARD

Thanks for your purchase.

At domi outdoor living, we believe in our products.

That's why we provide a 12-month warranty and friendly, easy-to-reach after-sales service. So if you have any questions about our product and assembly, please feel free to contact us. We will be here for you.

Support:  

email: service@domioutdoorliving.com

Please tell us your order ID when contact.

Attach photos of damaged part for instant reply.