

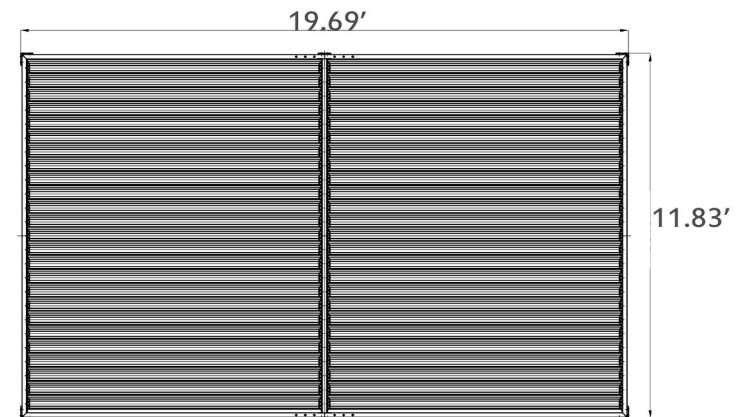
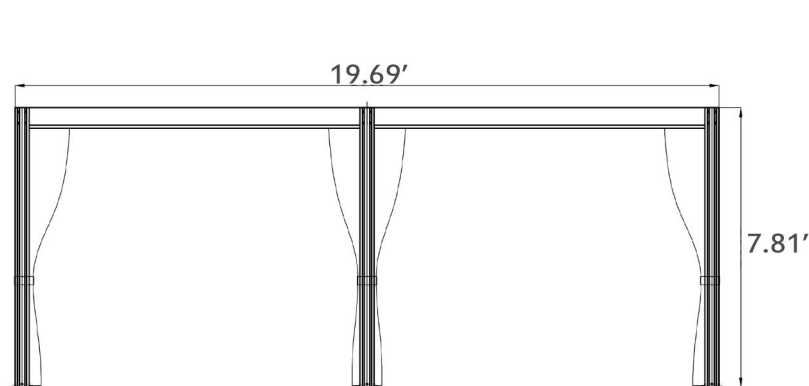


# 12'x20'

SKU:LGMF1592

LOUVERED PERGOLA

**Assembly Manual**



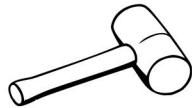
## Pre-assembly

### TOOLS THAT MAY BE REQUIRED (Not included in boxes)

\*NOTE: Tools / equipment are not shown to actual size and scale.



LEVEL



RUBBER Mallet



PHILLIPS SCREW



DRILL



ALLEN KEY



ALLEN KEY

### EQUIPMENT REQUIRED (Not included in boxes)

\*NOTE: Equipment are not shown to actual size and scale.



SAFETY HAT



GLOVES



SAFETY GOGGLES



STEPLADDER

### Matters needing attention

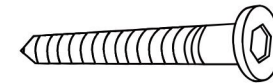
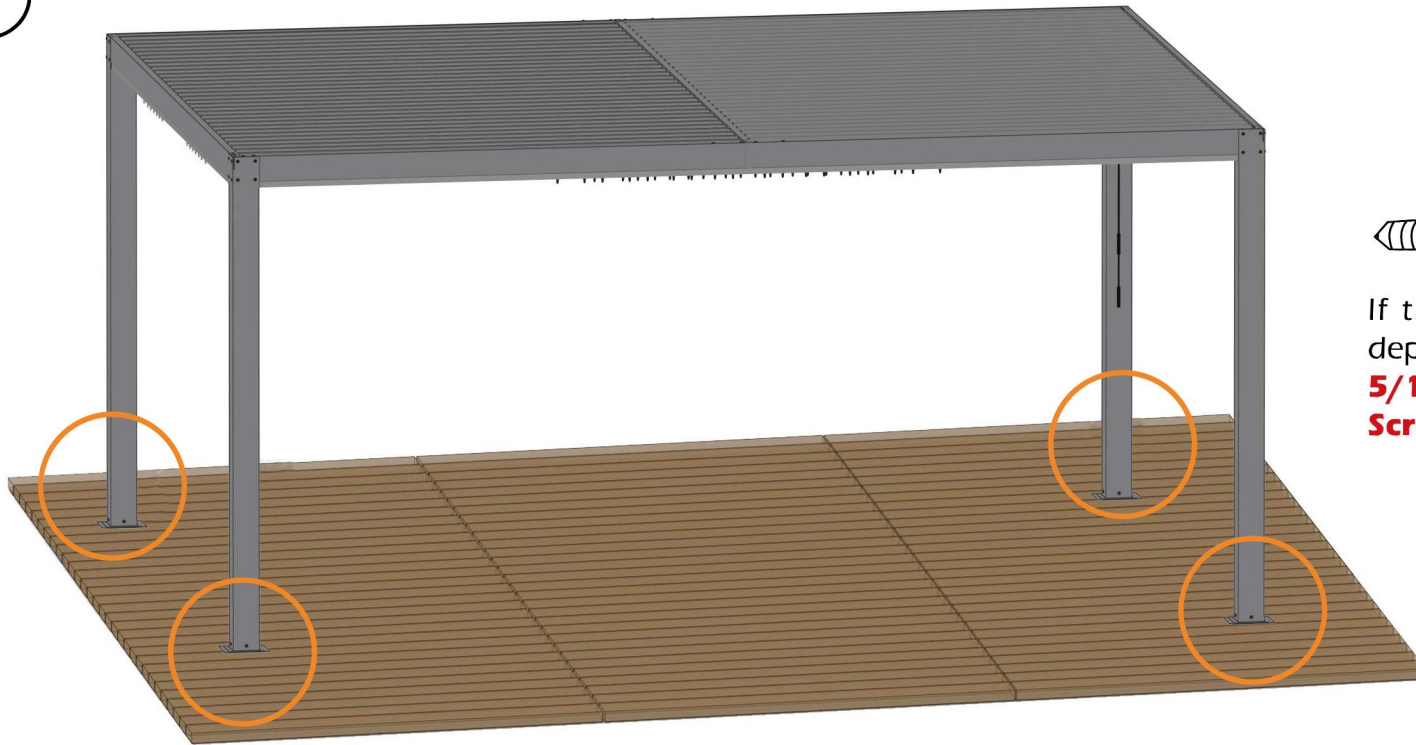


1. Two or more people are required for assembly.

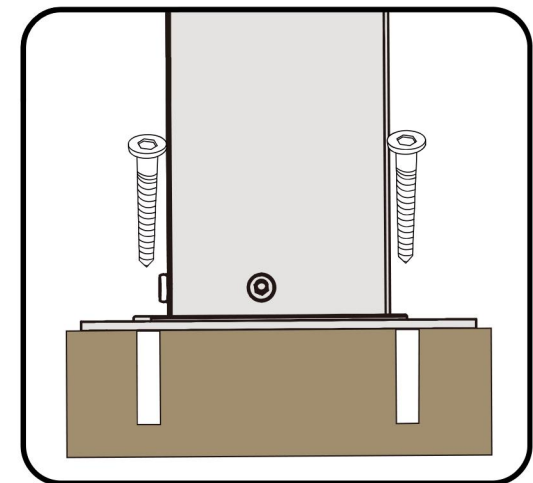
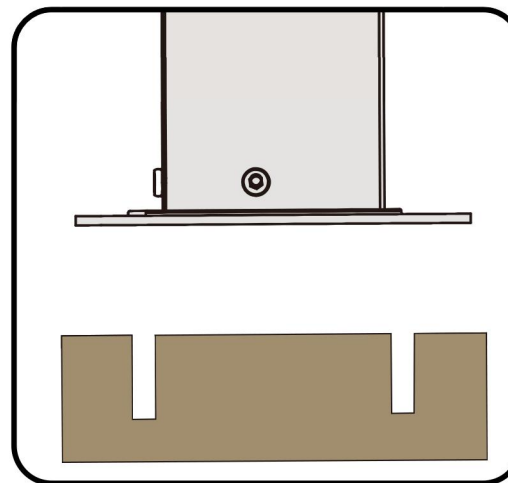


2. Do not fully tighten screws prior to complete assembly.

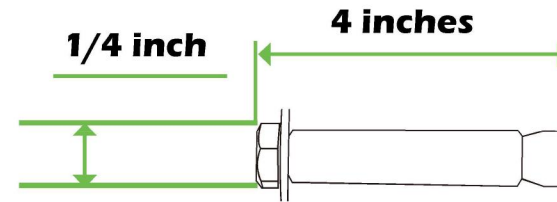
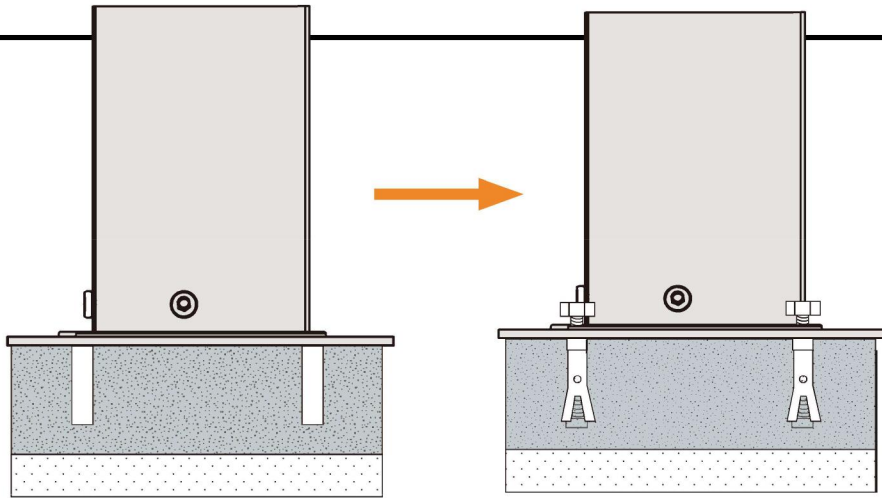
1



If the deck is hard wood and the depth of it is over 3 inch, you can use **5/16 in. x4 in. Structural Wood Screw** to mount the pergola.

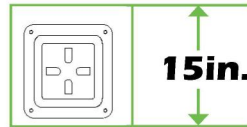
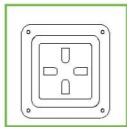


2

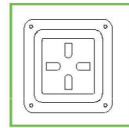
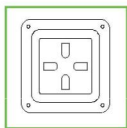


If the ground is concreted and the depth of it is over 3 inch, you can use 1/4 inch expansion bolts to mount the pergola

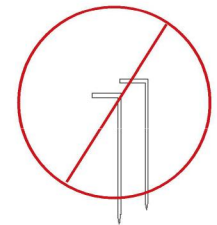
3



Or you can make a concrete footing for pergola, **15×15×15 inches** is recommended. use expansion bolts to mount the pergola like ② shows.

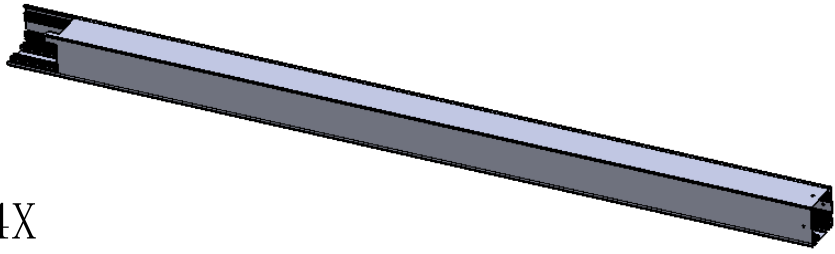


**IMPORTANT:**  
Anchor is not recommended



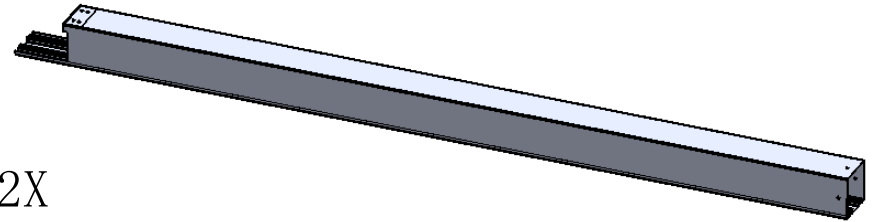
A<sub>1</sub>

4X



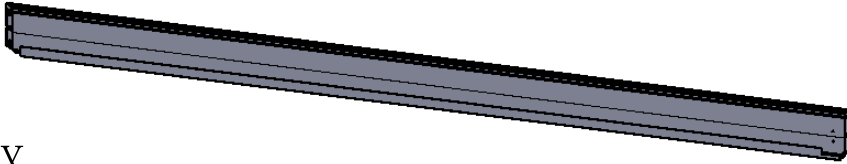
A<sub>2</sub>

2X



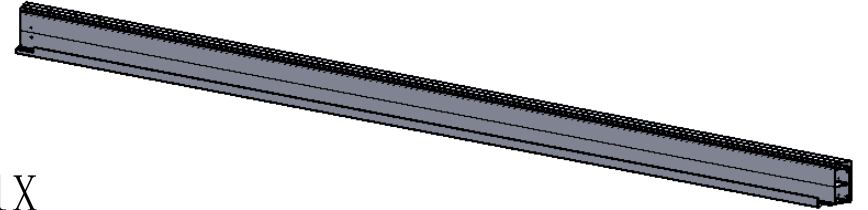
B<sub>1</sub>

1X



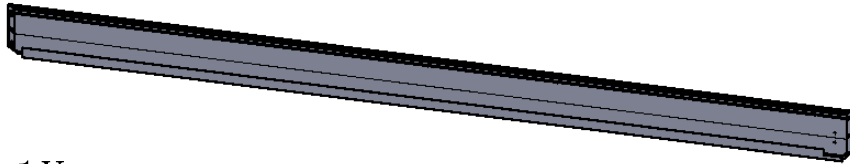
B<sub>2</sub>

1X



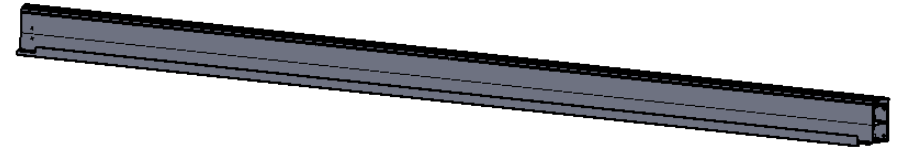
B<sub>3</sub>

1X



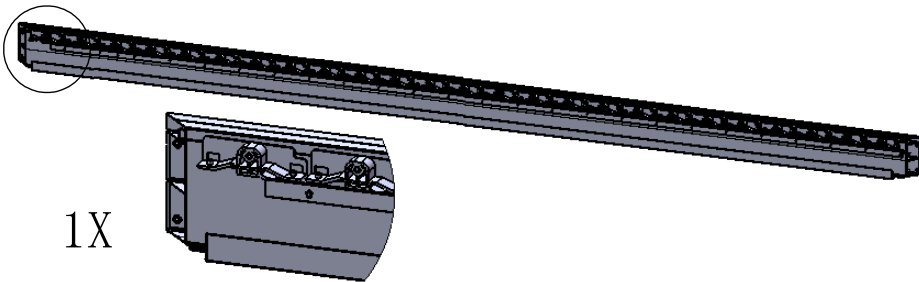
B<sub>4</sub>

1X



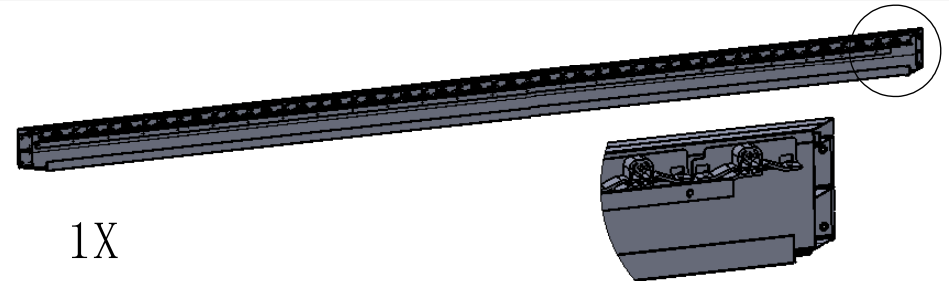
C<sub>1</sub>

1X



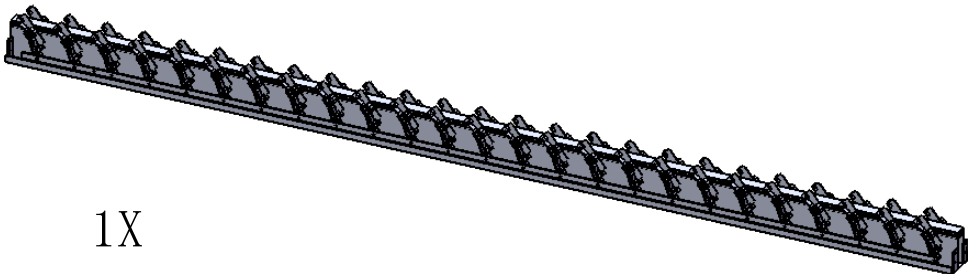
C<sub>2</sub>

1X



D

1X



E

2X



F<sub>1</sub>

2X



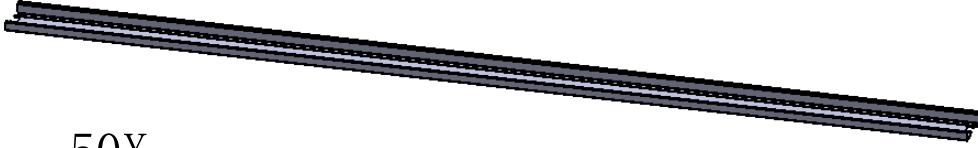
F<sub>2</sub>

4X



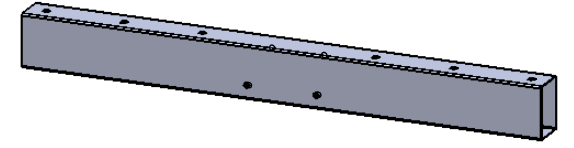
G

50X



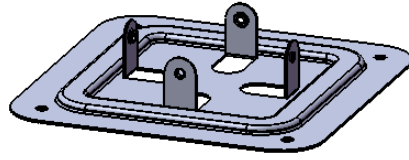
H

4X



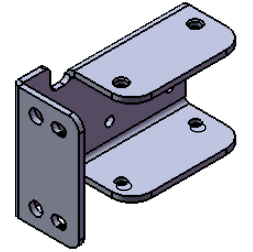
J

6X



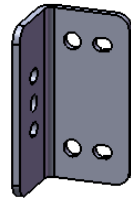
K

1X



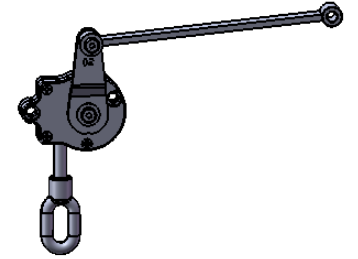
L

1X



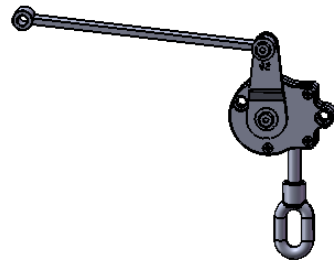
M

1X



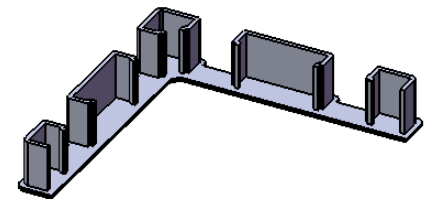
N

1X

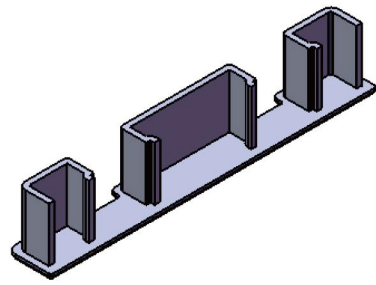


P

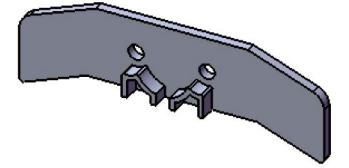
4X



Q 2X



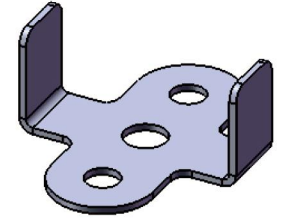
R 100X



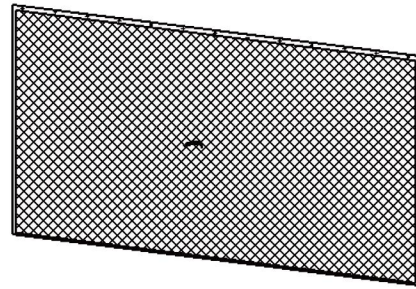
S 76X



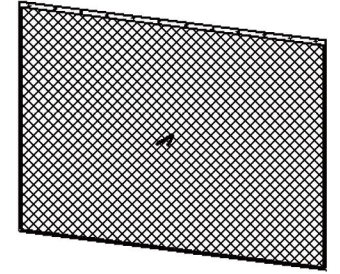
T 6X



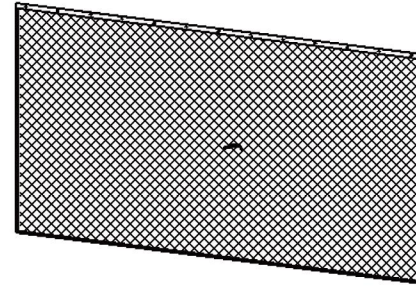
V<sub>1</sub> 2X



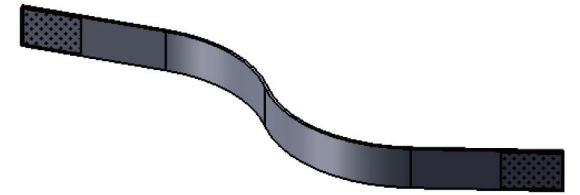
V<sub>2</sub> 2X



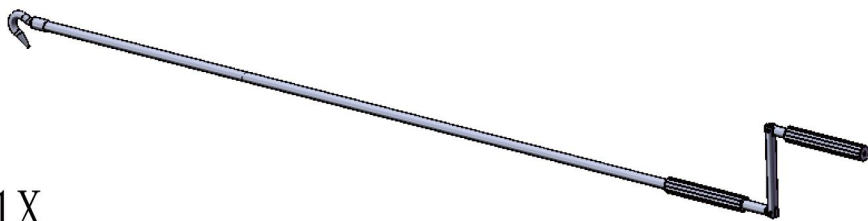
V<sub>3</sub> 2X

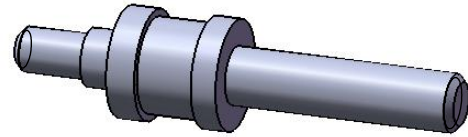


W 6X



X 1X





1# 2X



ST4. 2X16

2# 4X



ST3. 5X19

3# 200X



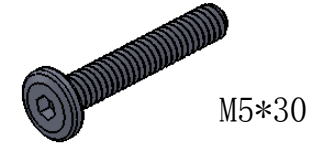
M5\*16

4# 8X



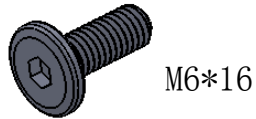
M5\*18

5# 14X



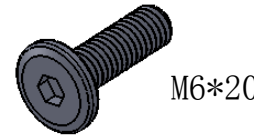
M5\*30

6# 32X



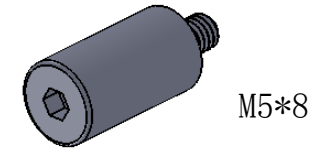
M6\*16

7# 44X



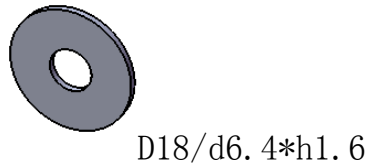
M6\*20

8# 40X



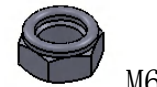
M5\*8

9# 12X



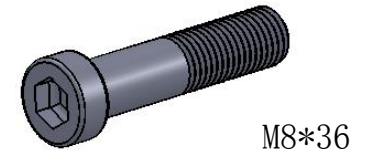
D18/d6. 4\*h1. 6

10# 2X



M6

11# 2X



M8\*36

12# 4X



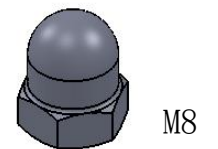
M8

13# 6X



M8

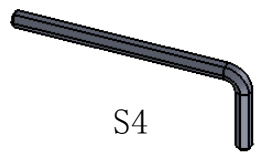
14# 2X

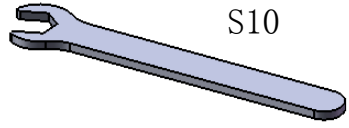


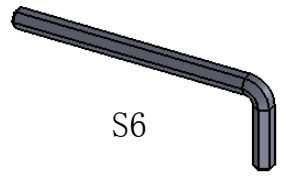
M8

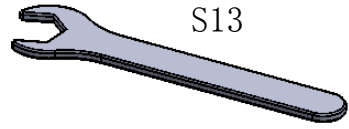
15# 4X

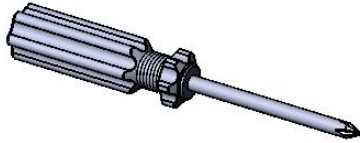


16#	1X	 <p data-bbox="492 199 548 239">S4</p>
-----	----	--

17#	1X	 <p data-bbox="1265 119 1332 159">S10</p>
-----	----	--

18#	1X	 <p data-bbox="1848 199 1915 239">S6</p>
-----	----	--

19#	1X	 <p data-bbox="492 438 560 478">S13</p>
-----	----	--

20#	1X	
-----	----	---

--	--	--

--	--	--

--	--	--

--	--	--

--	--	--

--	--	--

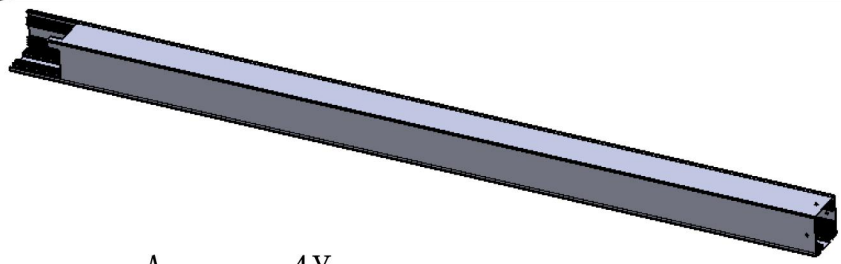
--	--	--

--	--	--

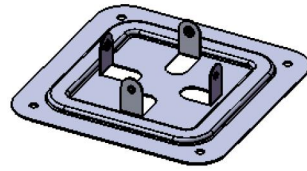
--	--	--

# STEP 1

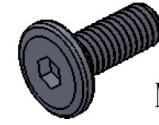




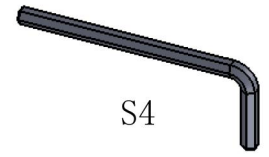
A1 4X



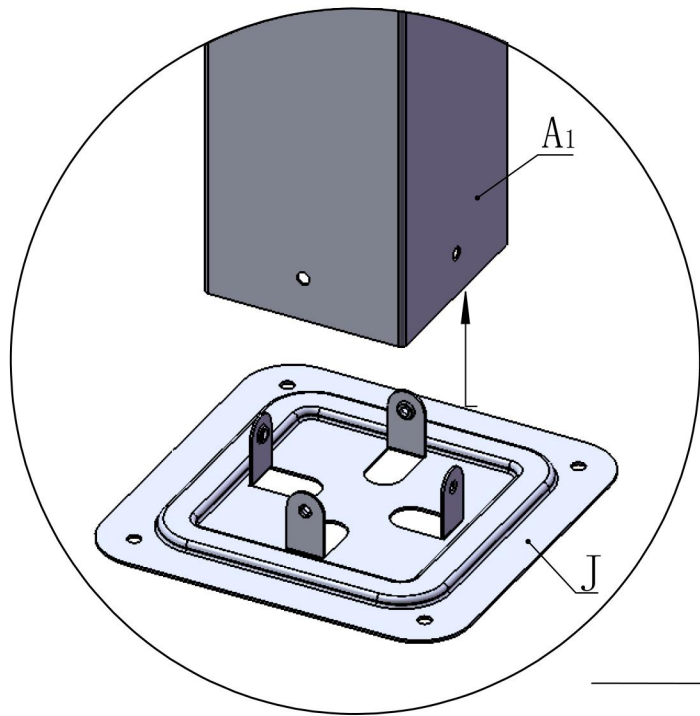
J 4X



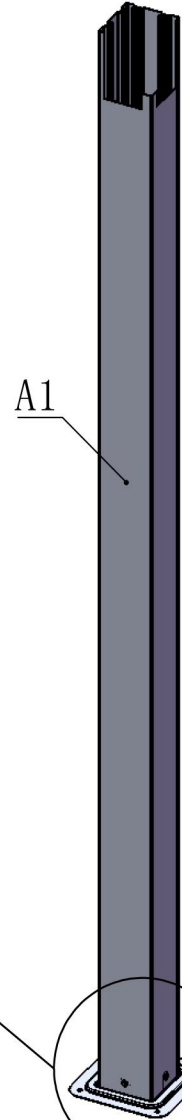
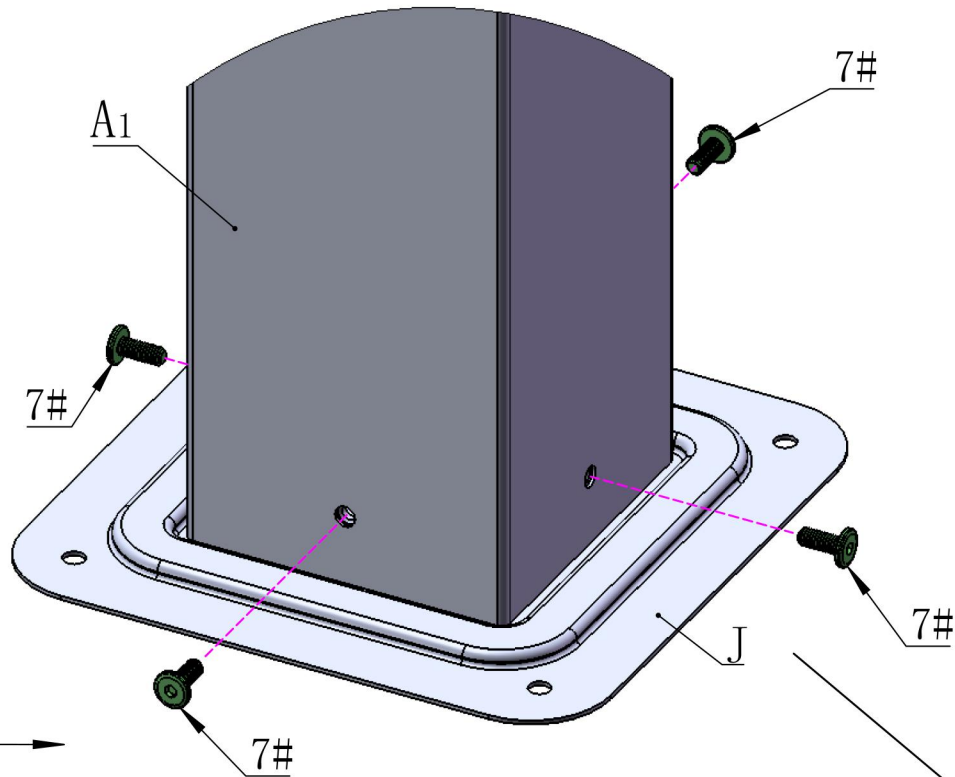
M6\*16  
7# 16X

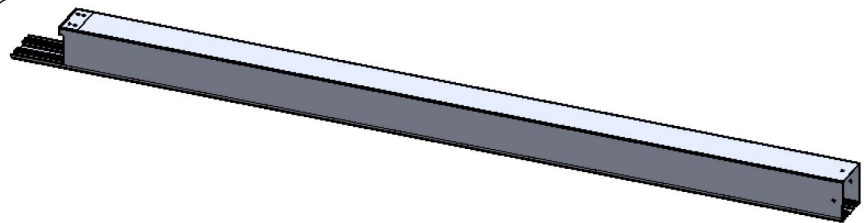


S4  
16# 1X

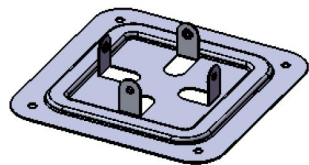


4X

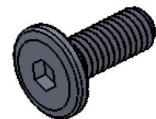




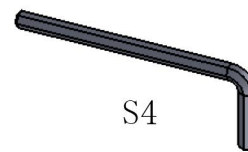
A2 2X



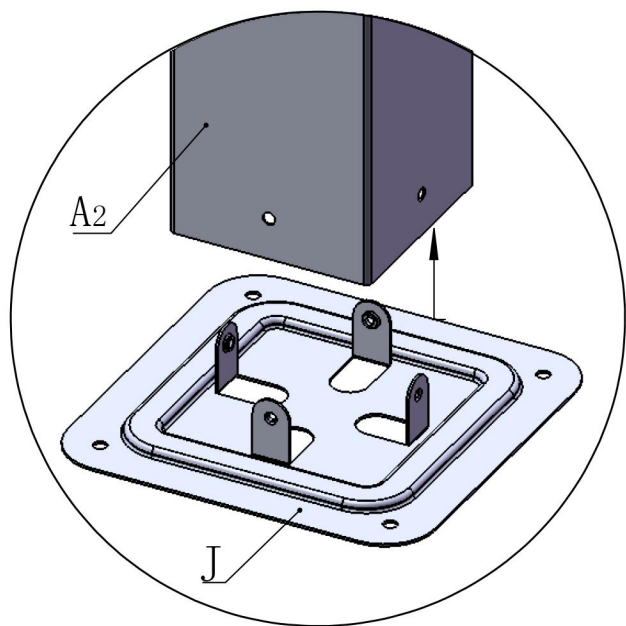
J 2X



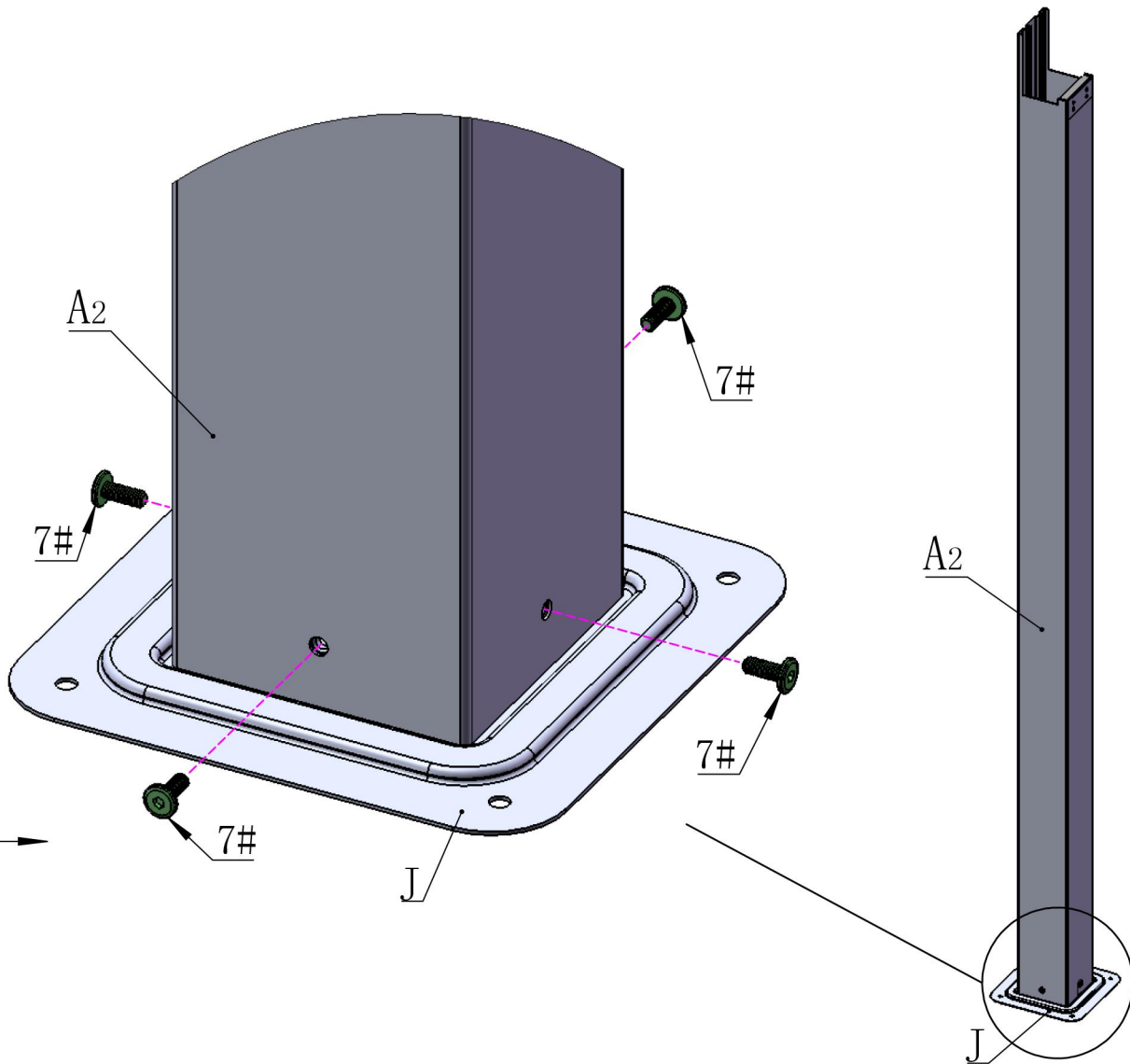
M6\*16  
7# 8X

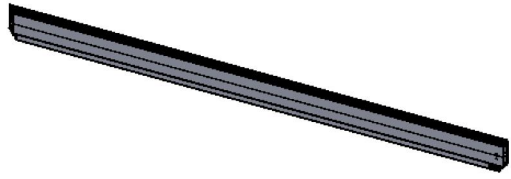


S4  
16# 1X

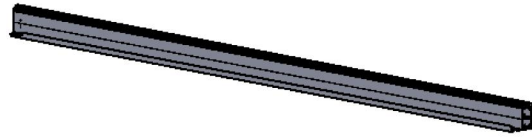


2X

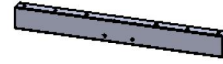




B1 1X



B2 1X



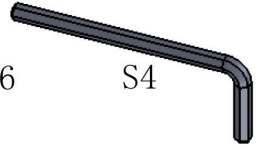
H 2X



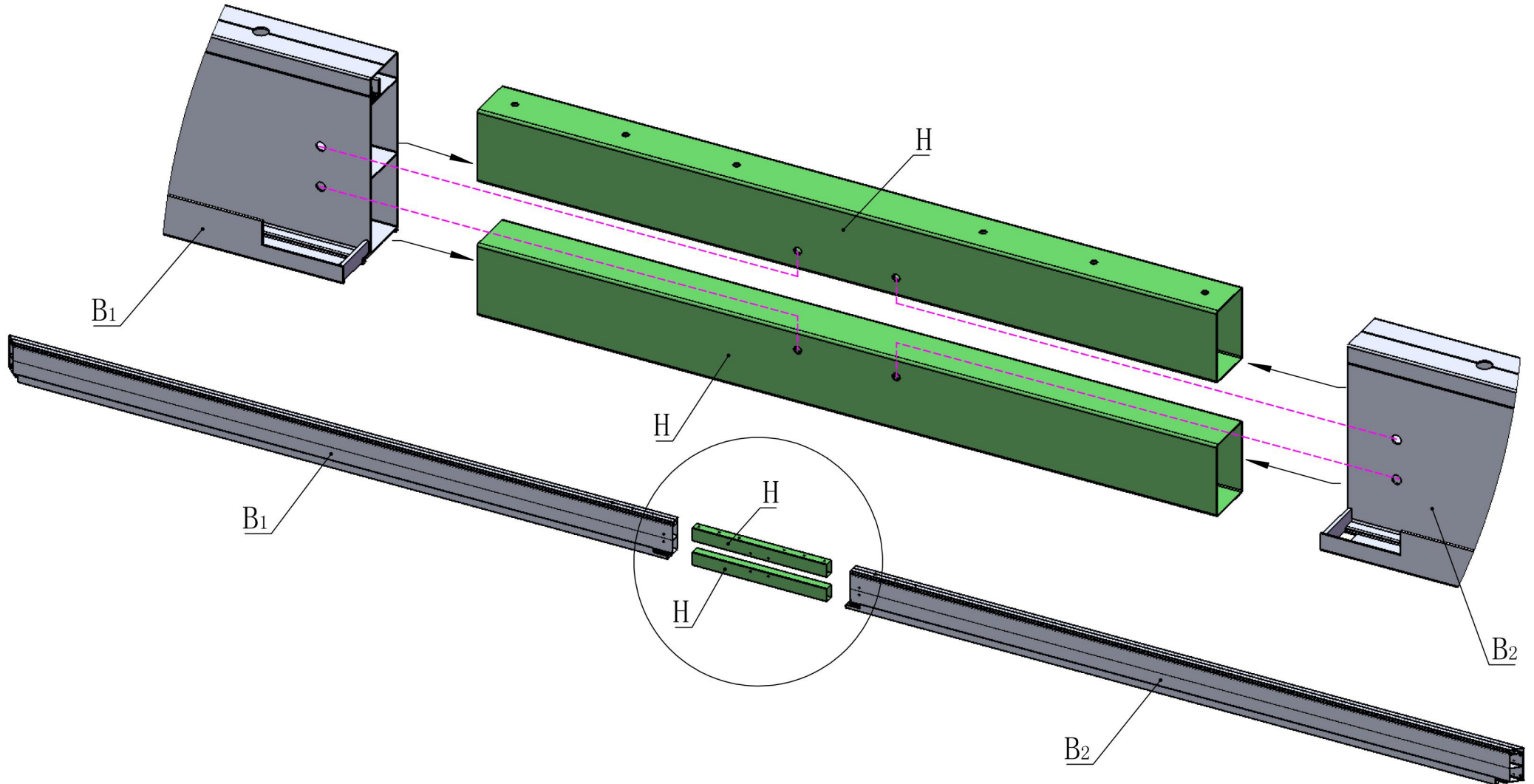
9# 6X

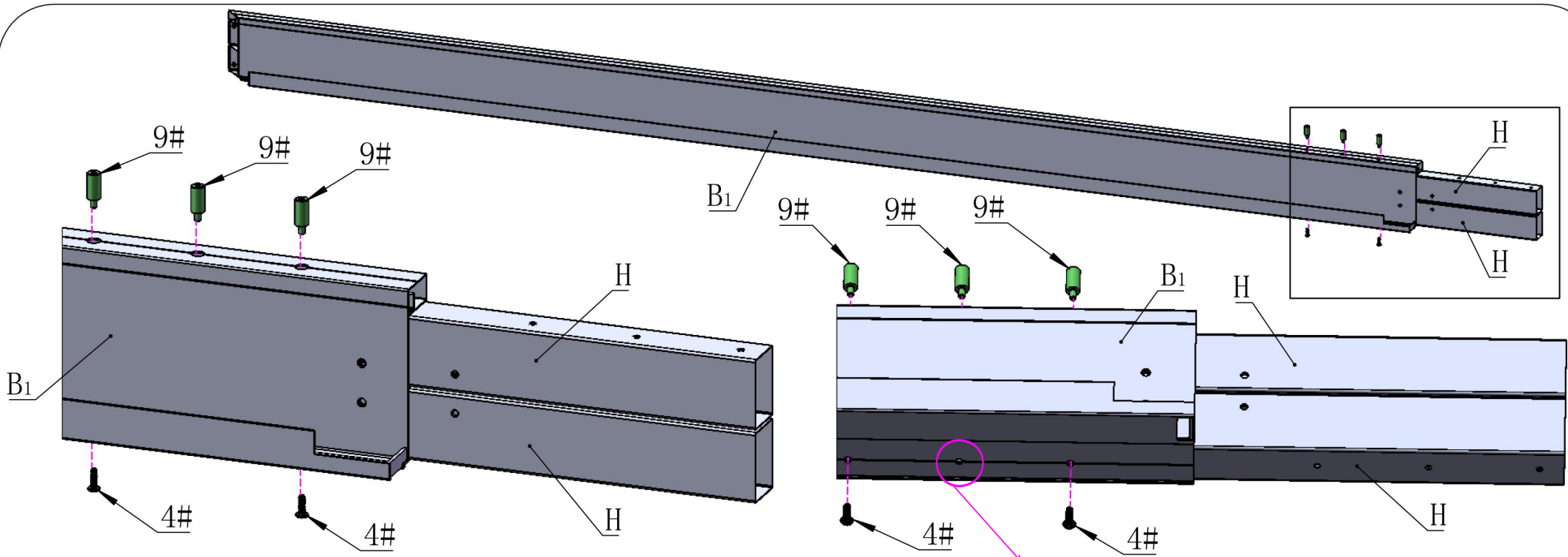


4# 4X

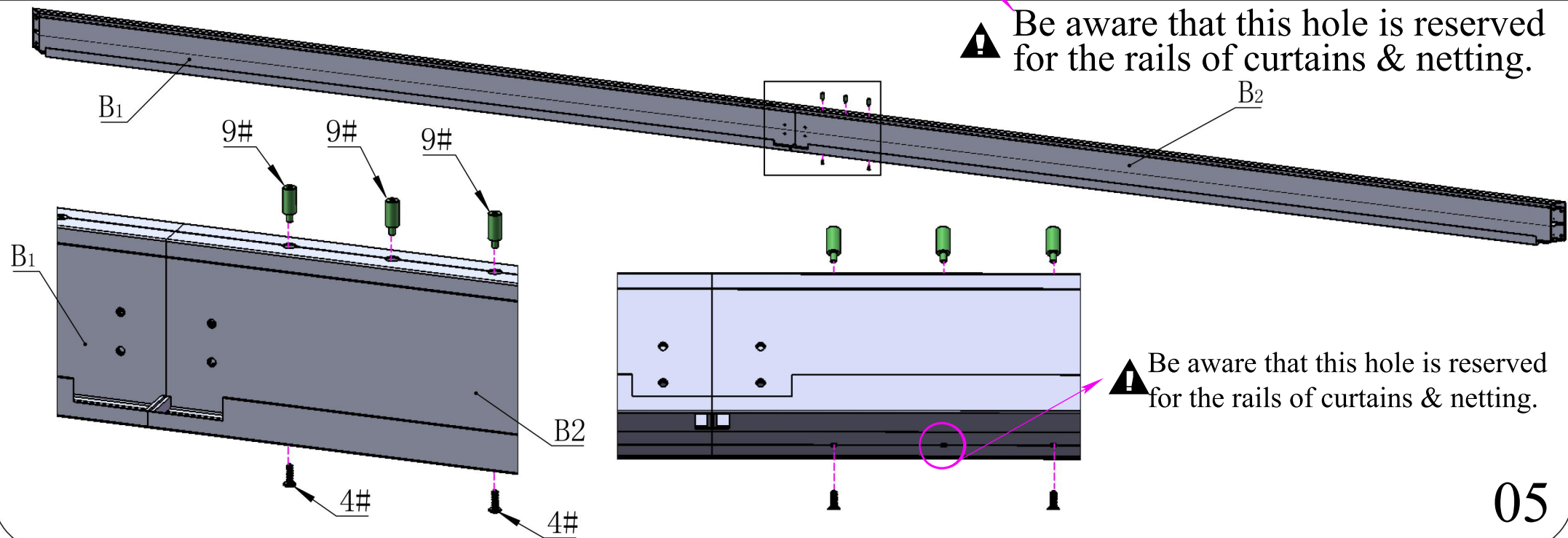


16# 1X

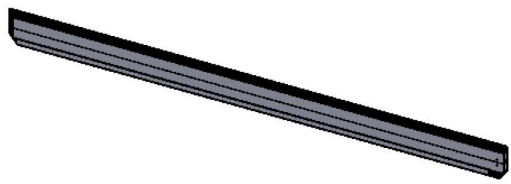




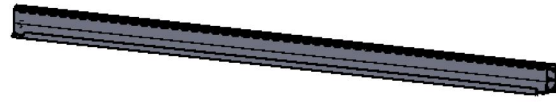
⚠ Be aware that this hole is reserved for the rails of curtains & netting.



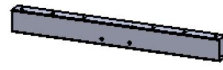
⚠ Be aware that this hole is reserved for the rails of curtains & netting.



B<sub>3</sub> 1X



B<sub>4</sub> 1X



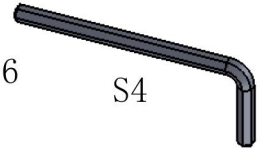
H 2X



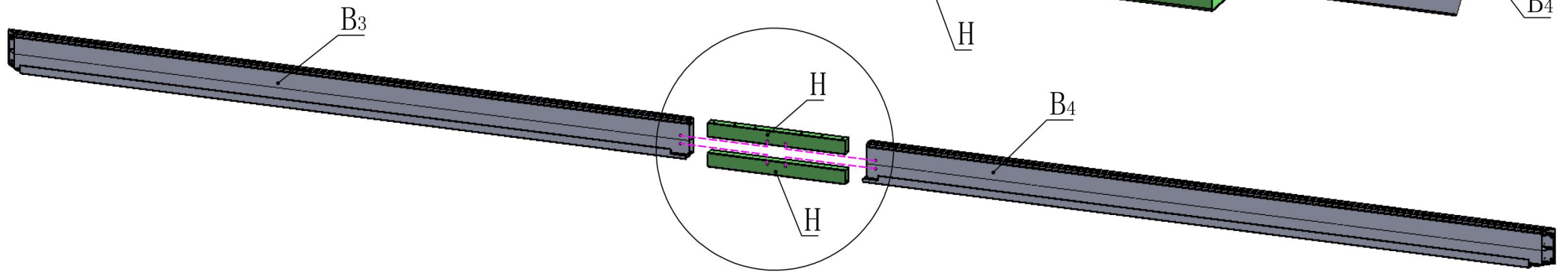
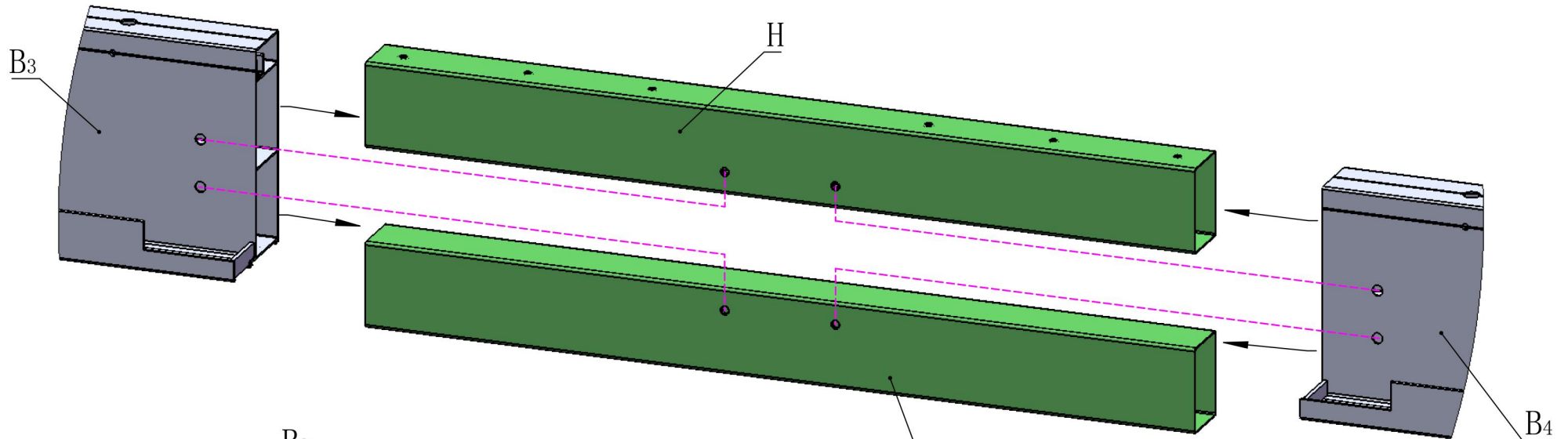
9# 6X

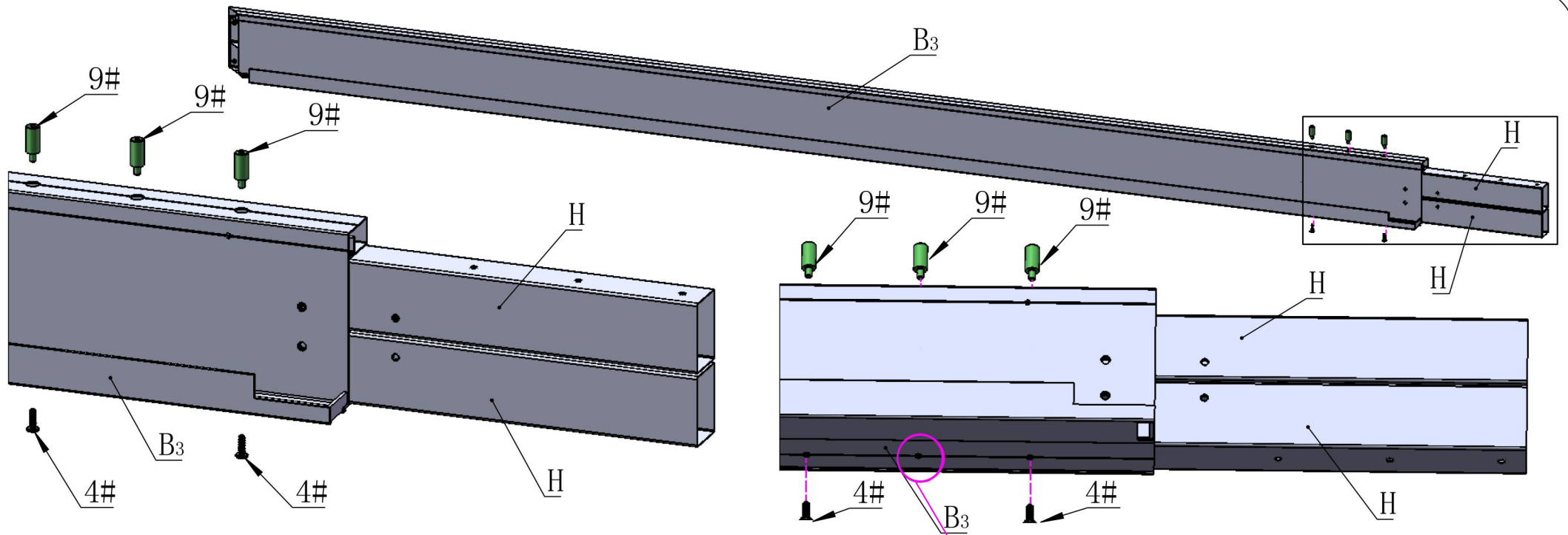


4# 4X

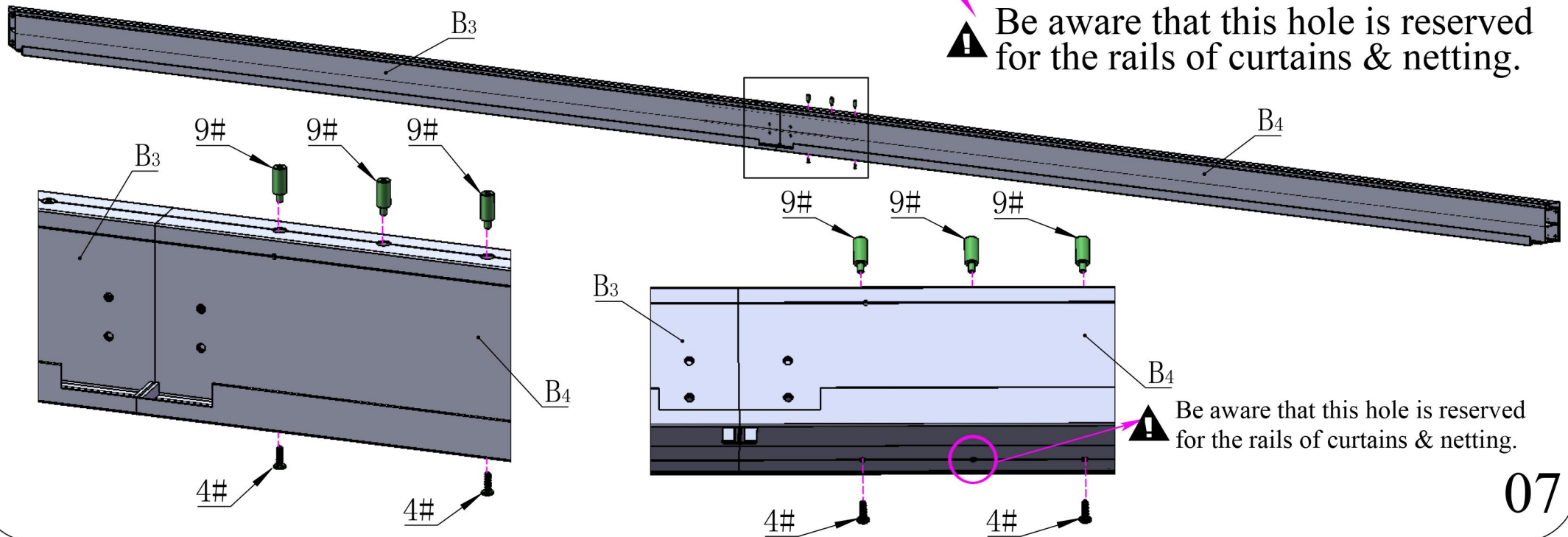


S4 16# 1X



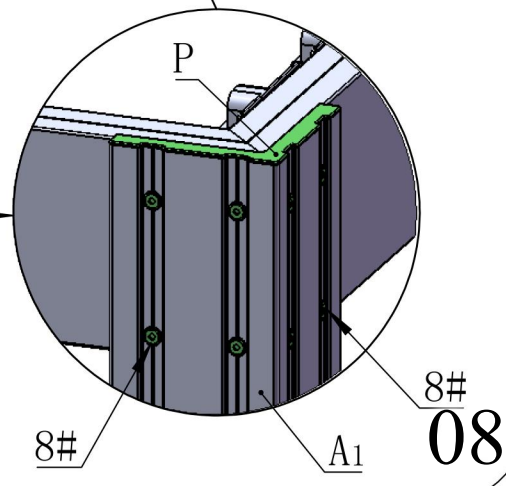
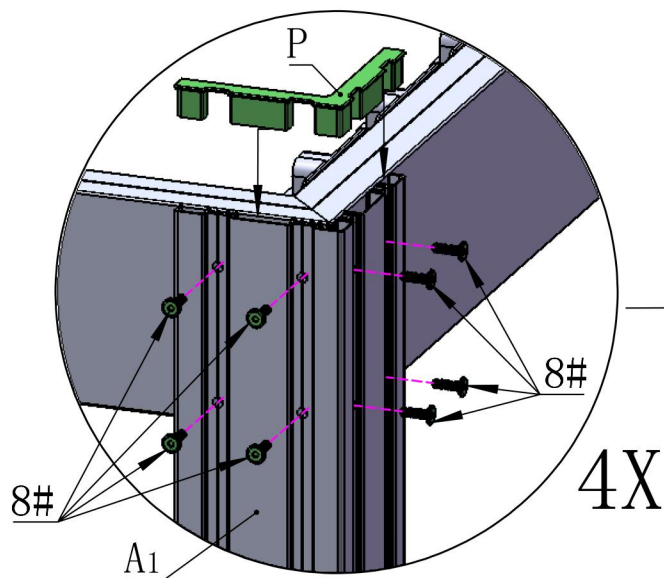
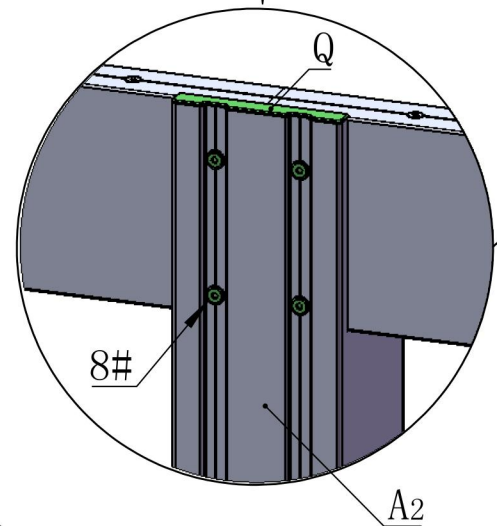
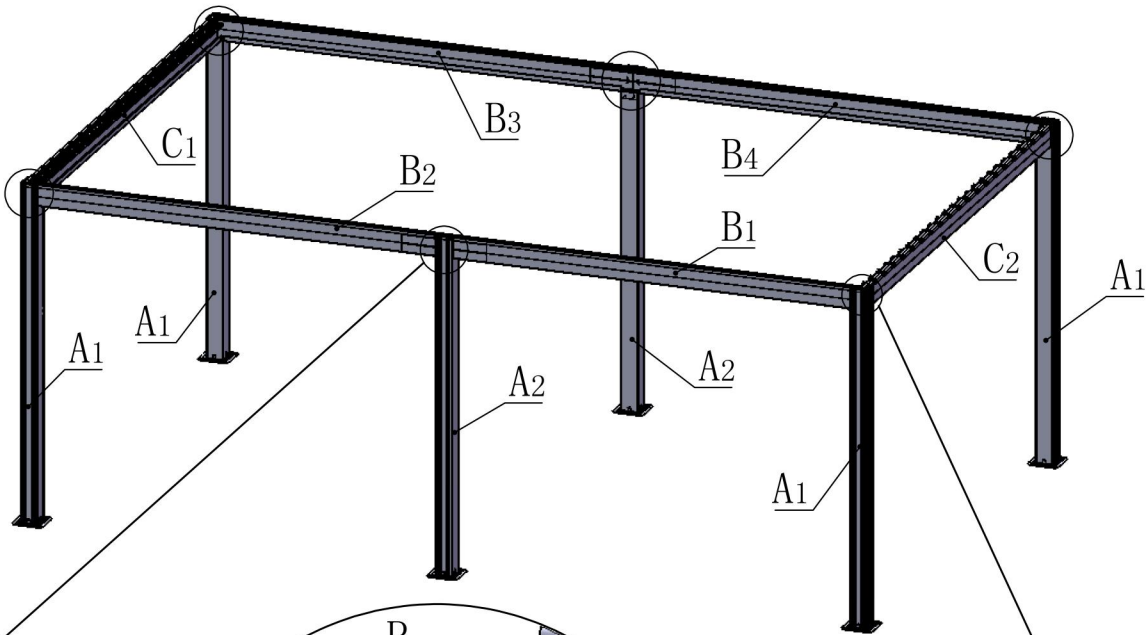
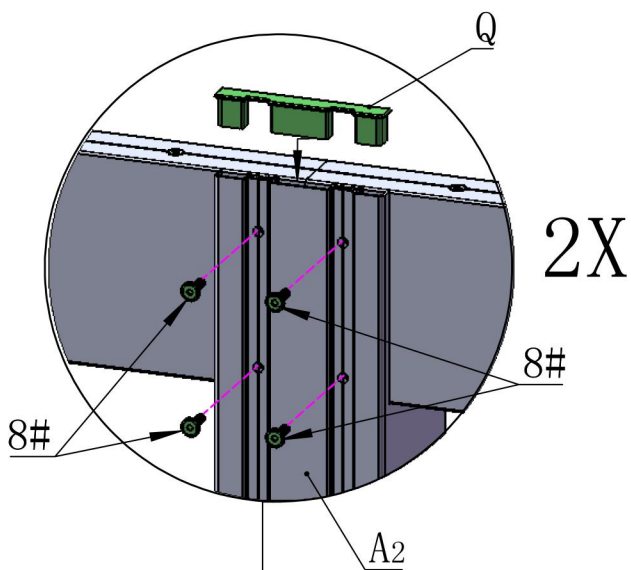
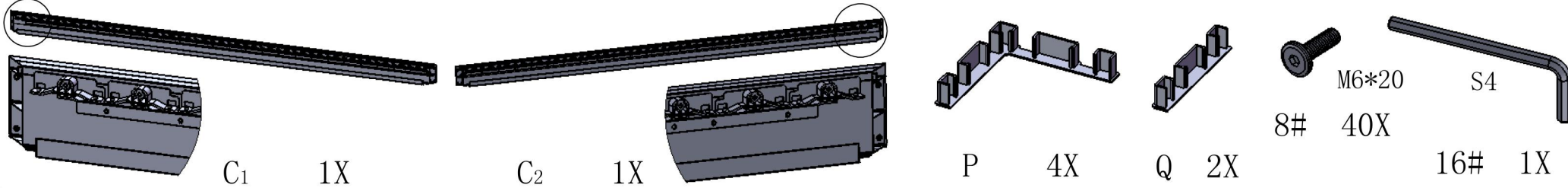


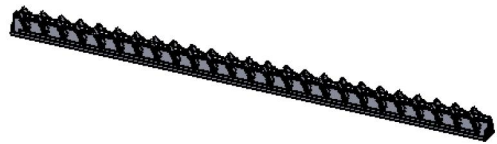
**⚠** Be aware that this hole is reserved for the rails of curtains & netting.



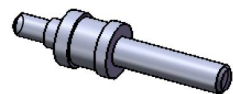
**⚠** Be aware that this hole is reserved for the rails of curtains & netting.







D 1X



1# 2X



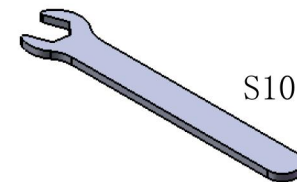
D18/d6.2\*h1.6

10# 2X



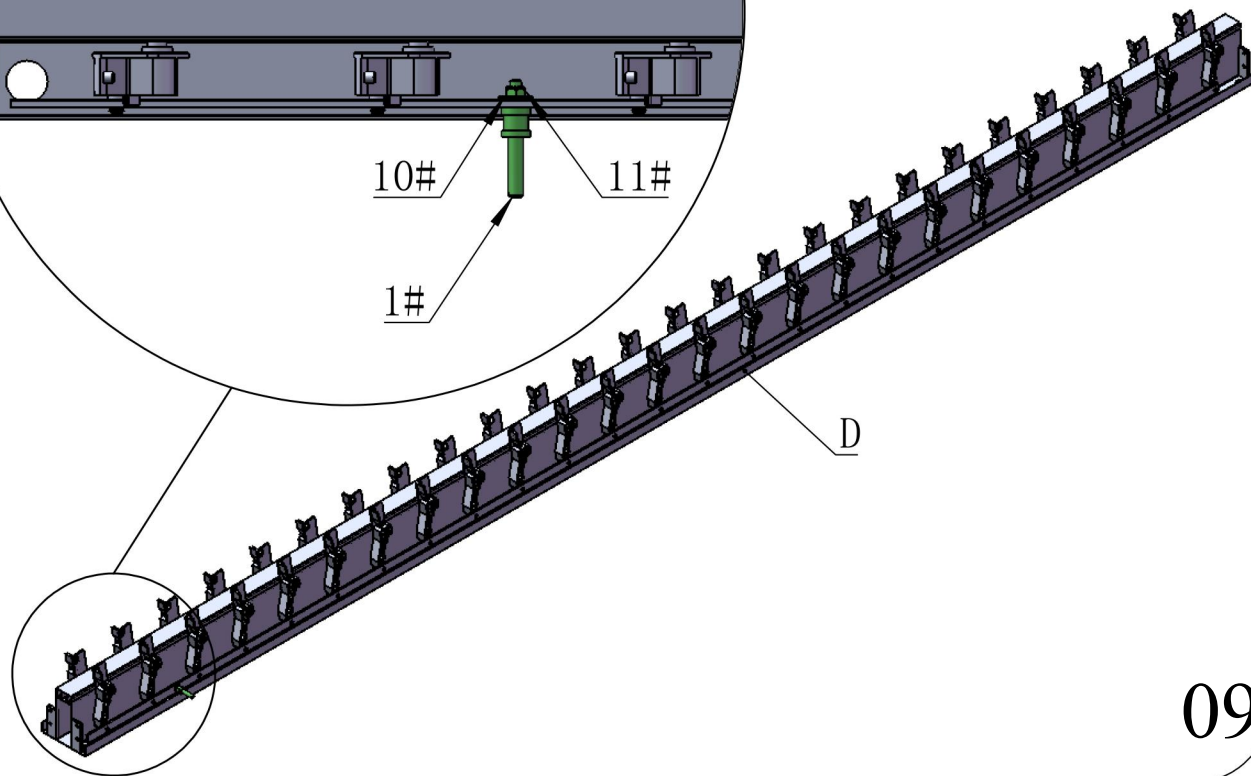
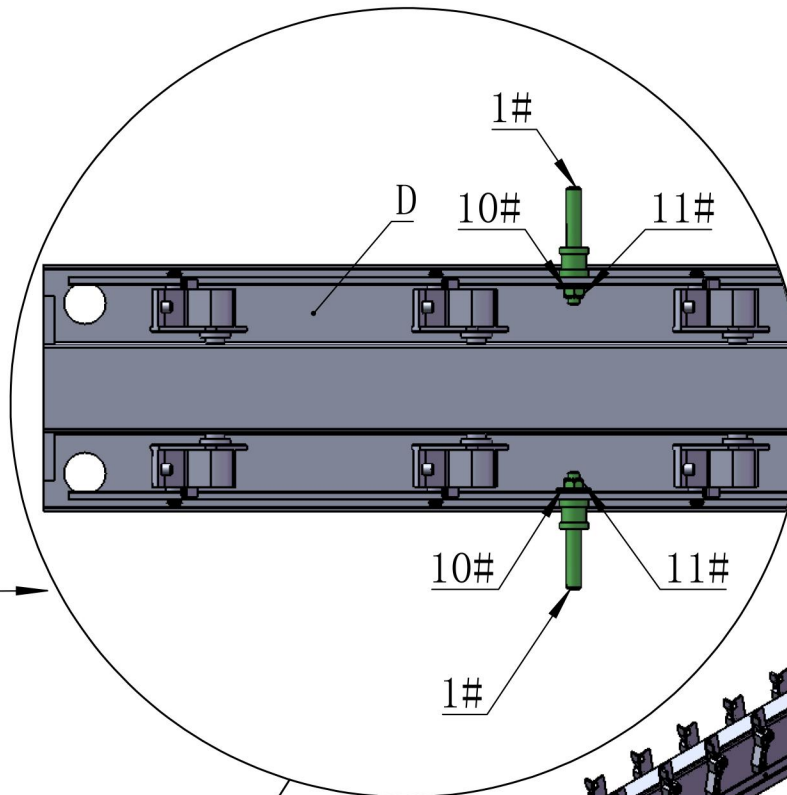
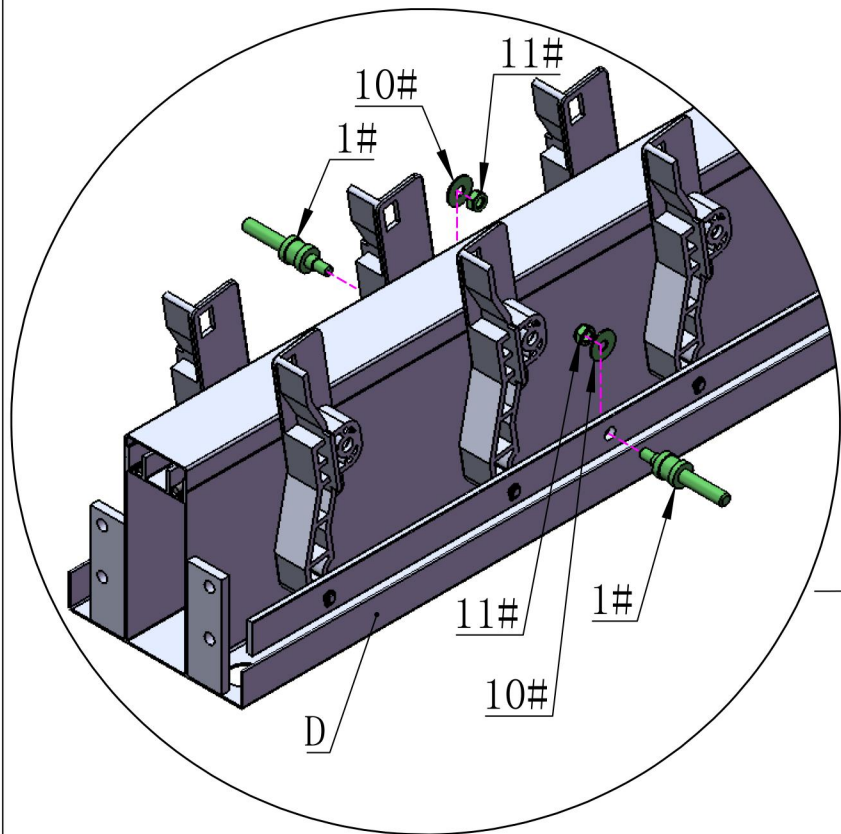
M6

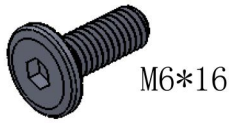
11# 2X



S10

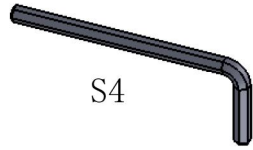
17# 1X





M6\*16

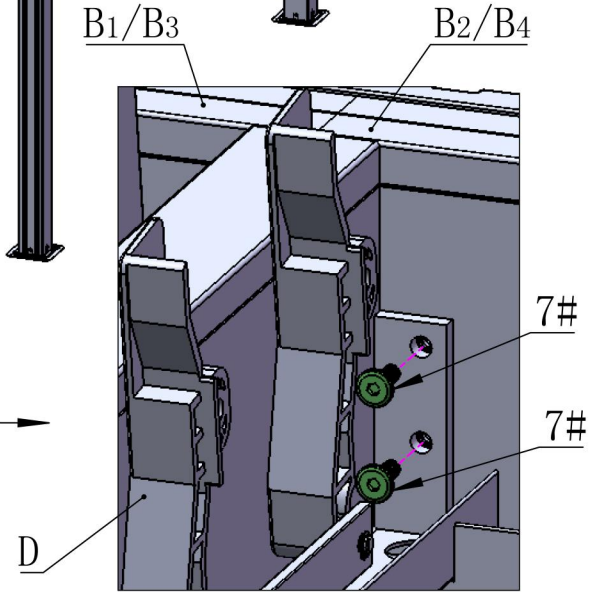
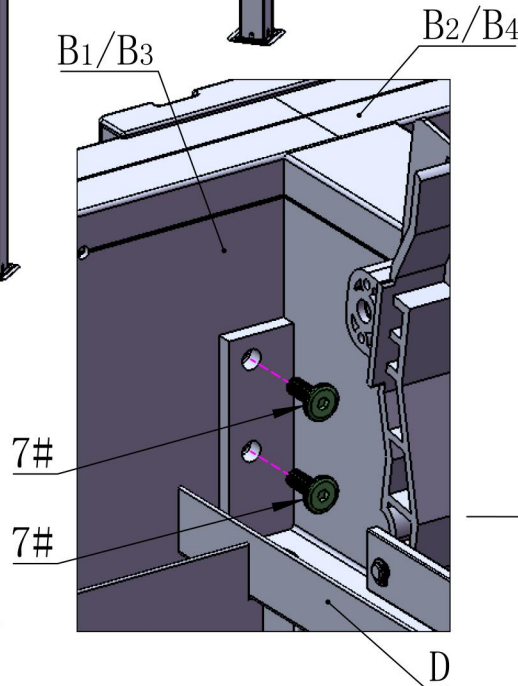
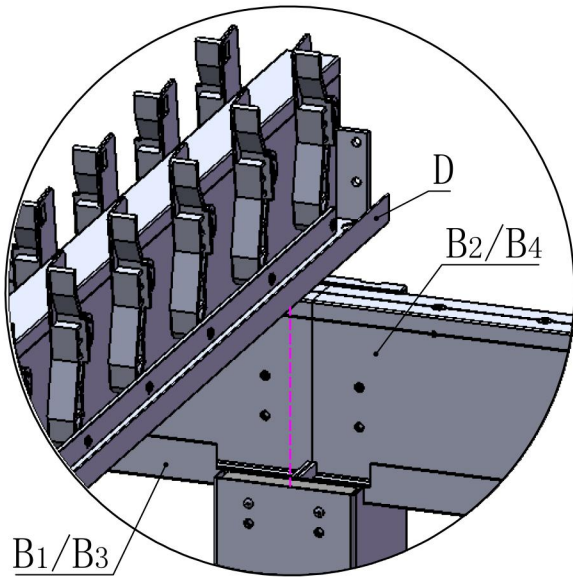
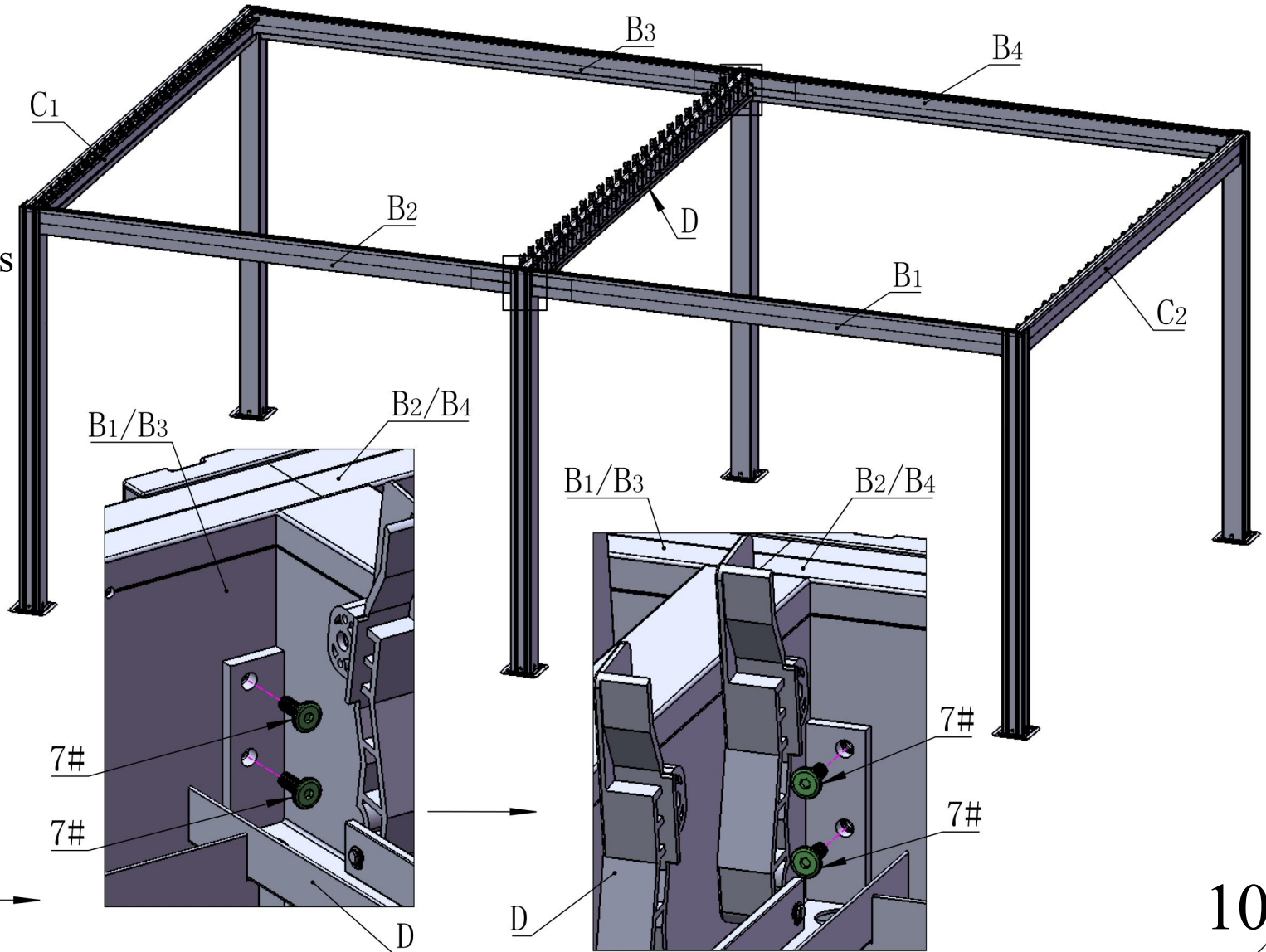
7# 8X



S4

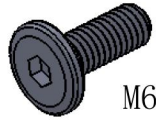
16# 1X

**!** Repeat the above procedures to assemble another side.



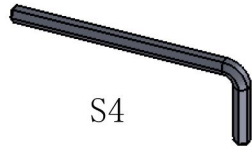


L 1X



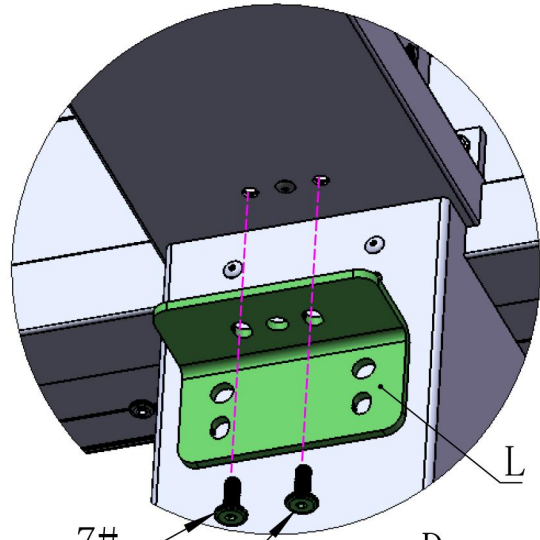
7# 4X

M6\*16



16# 1X

S4



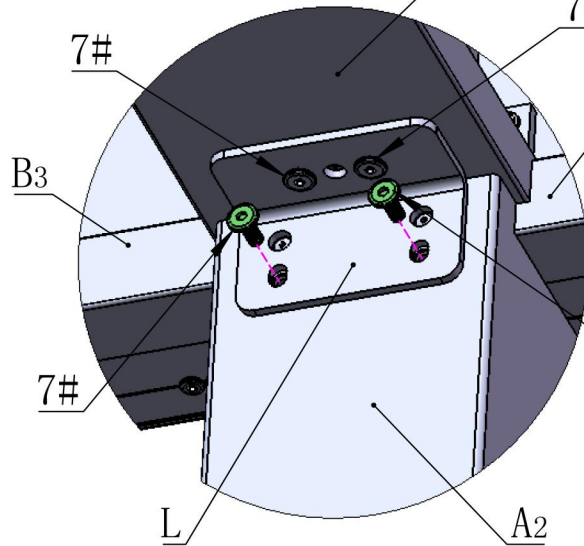
L

7#

7#

D

7#



B3

7#

7#

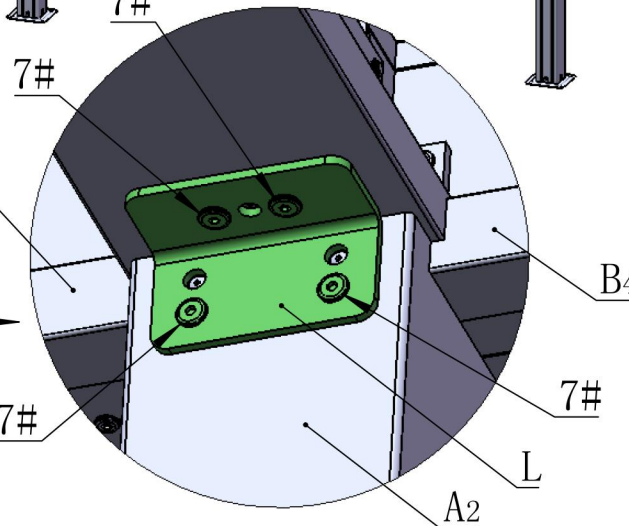
7#

B4

7#

L

A2



B3

7#

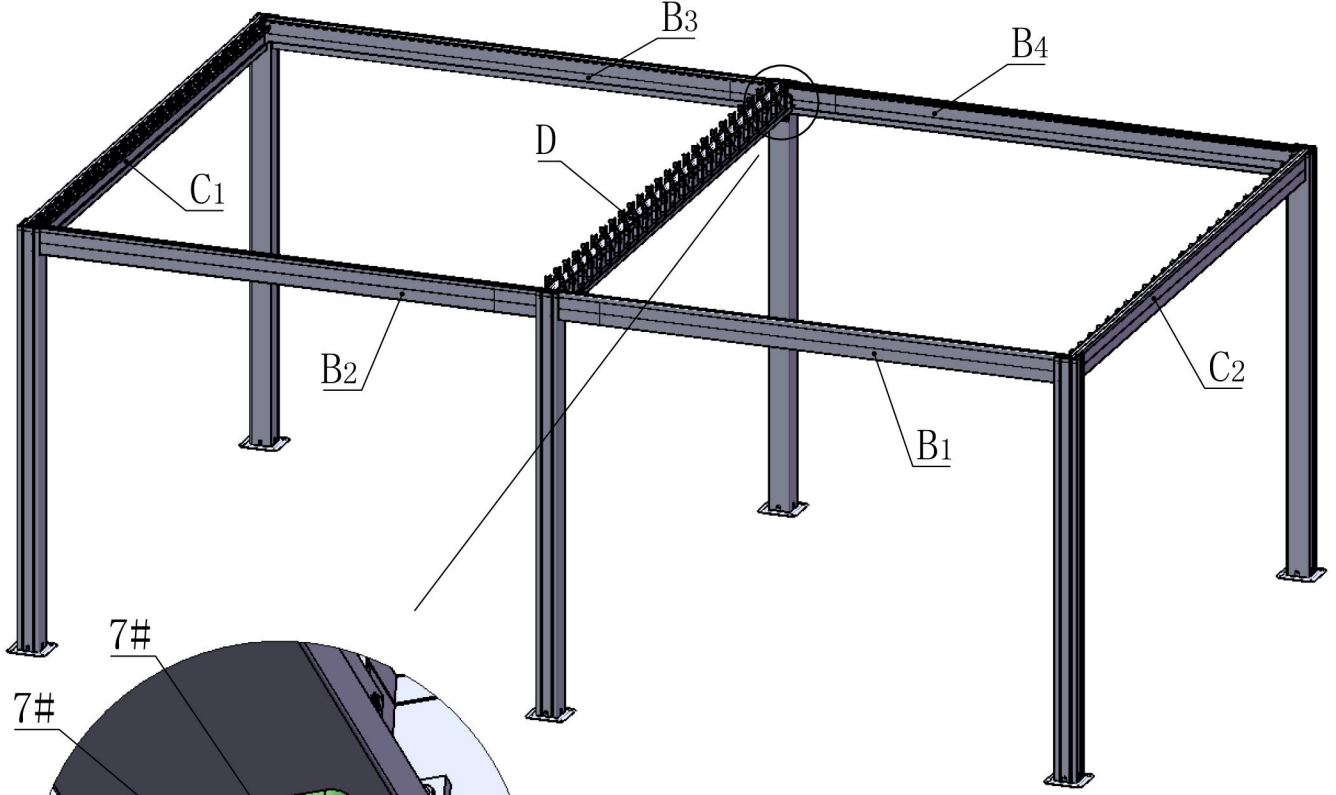
7#

B4

7#

L

A2



B3

B4

D

C1

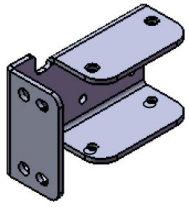
B2

B1

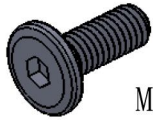
C2

7#

7#

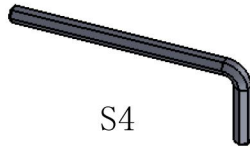


K 1X



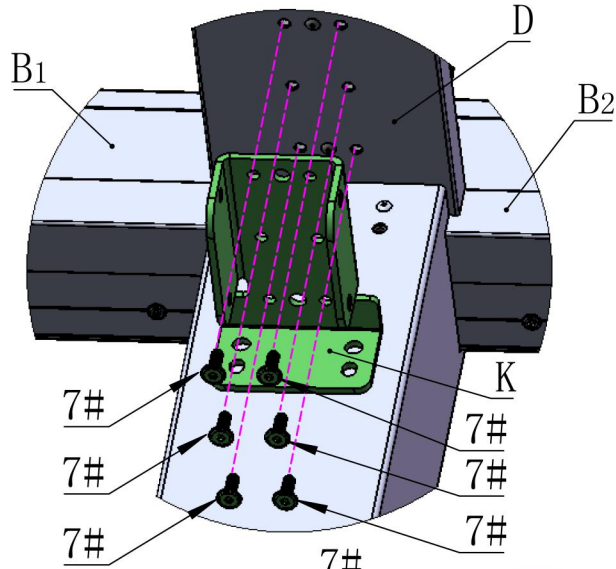
7# 8X

M6\*16

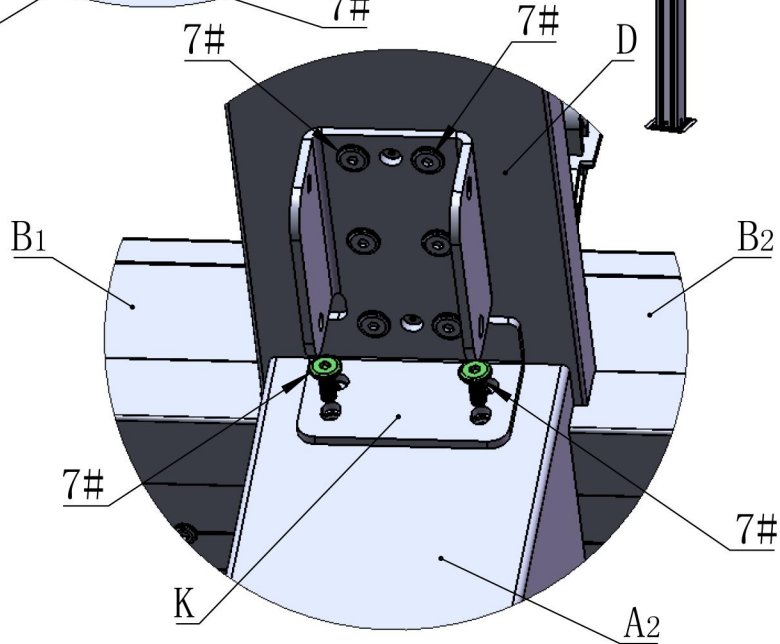


16# 1X

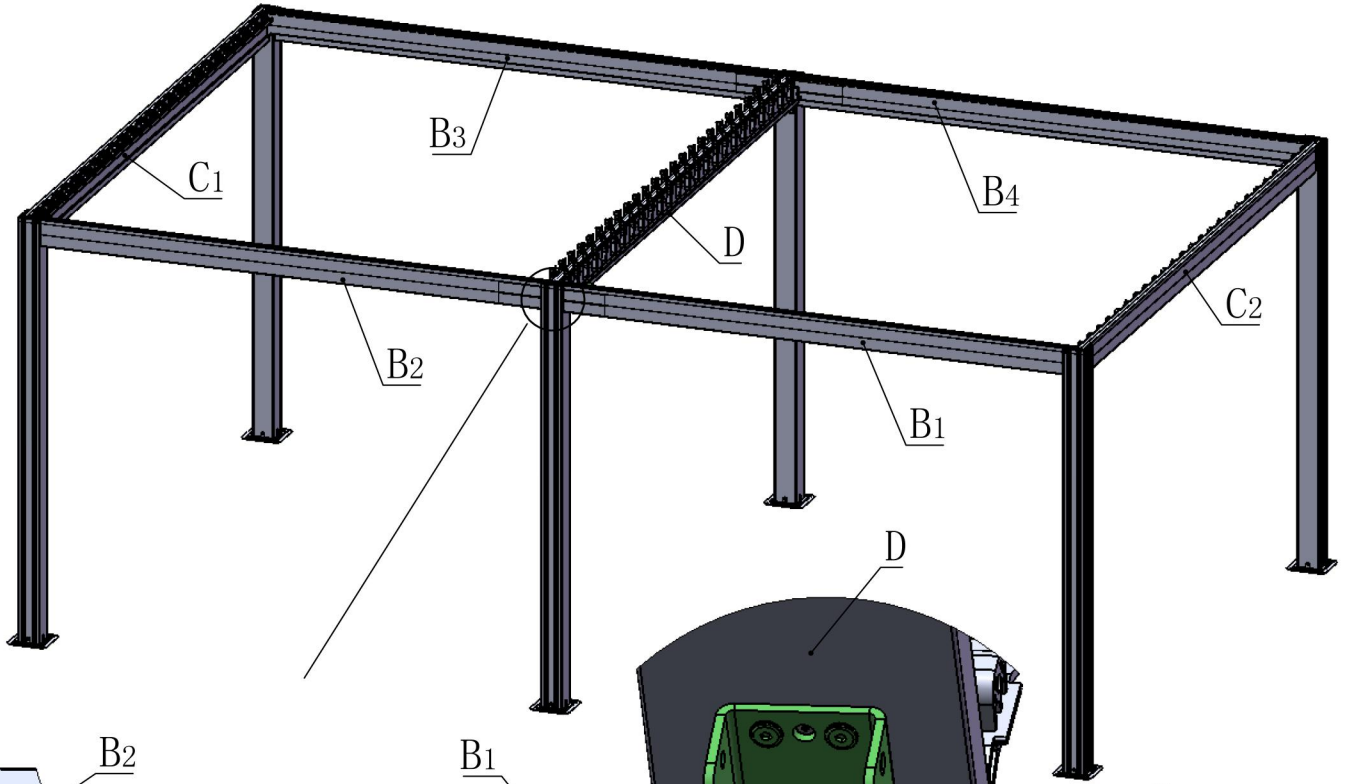
S4



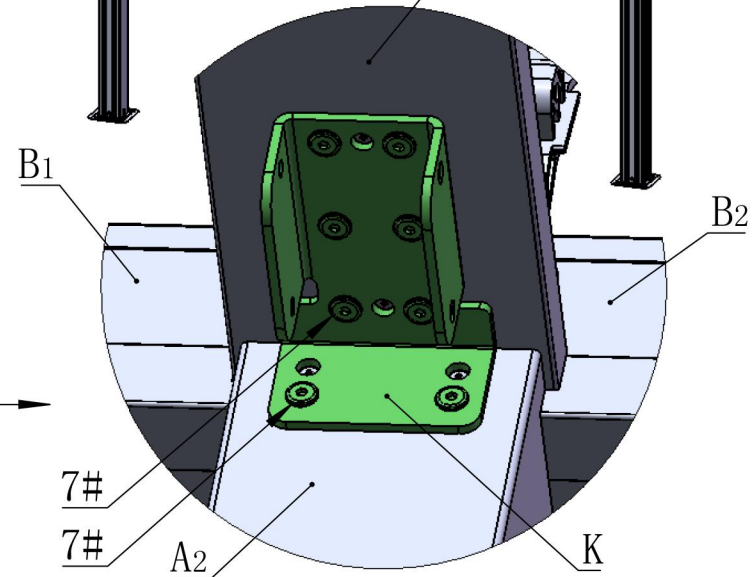
7# 7# 7# 7# 7# 7#



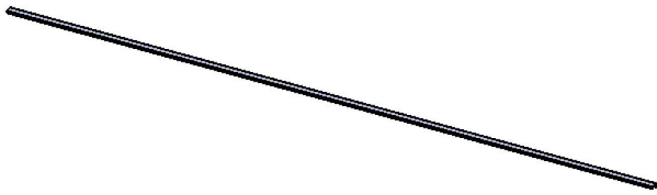
7# 7# 7# 7# 7# 7#



B3 B4 C1 C2 B2 B1 D



7# 7# 7# 7#

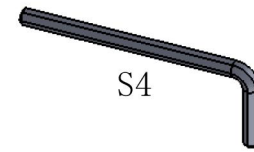


E 2X



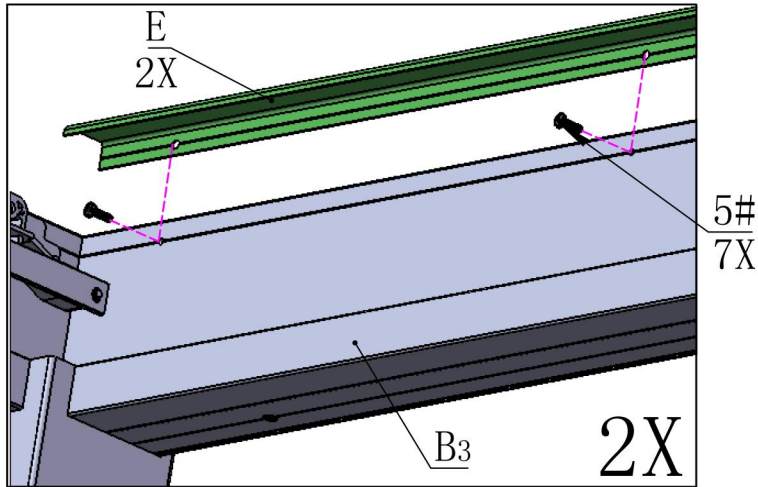
M5\*18

5# 14X



S4

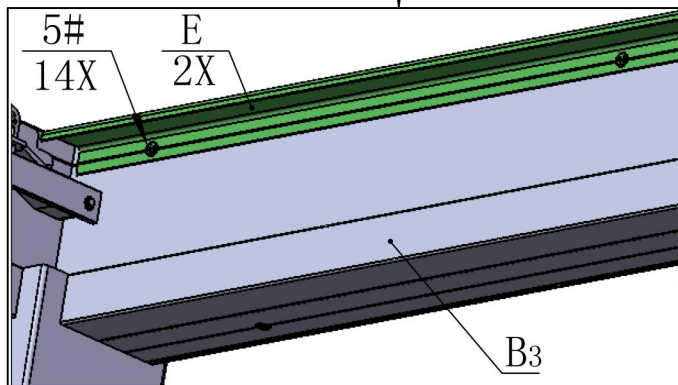
16# 1X



5# 7X

B3

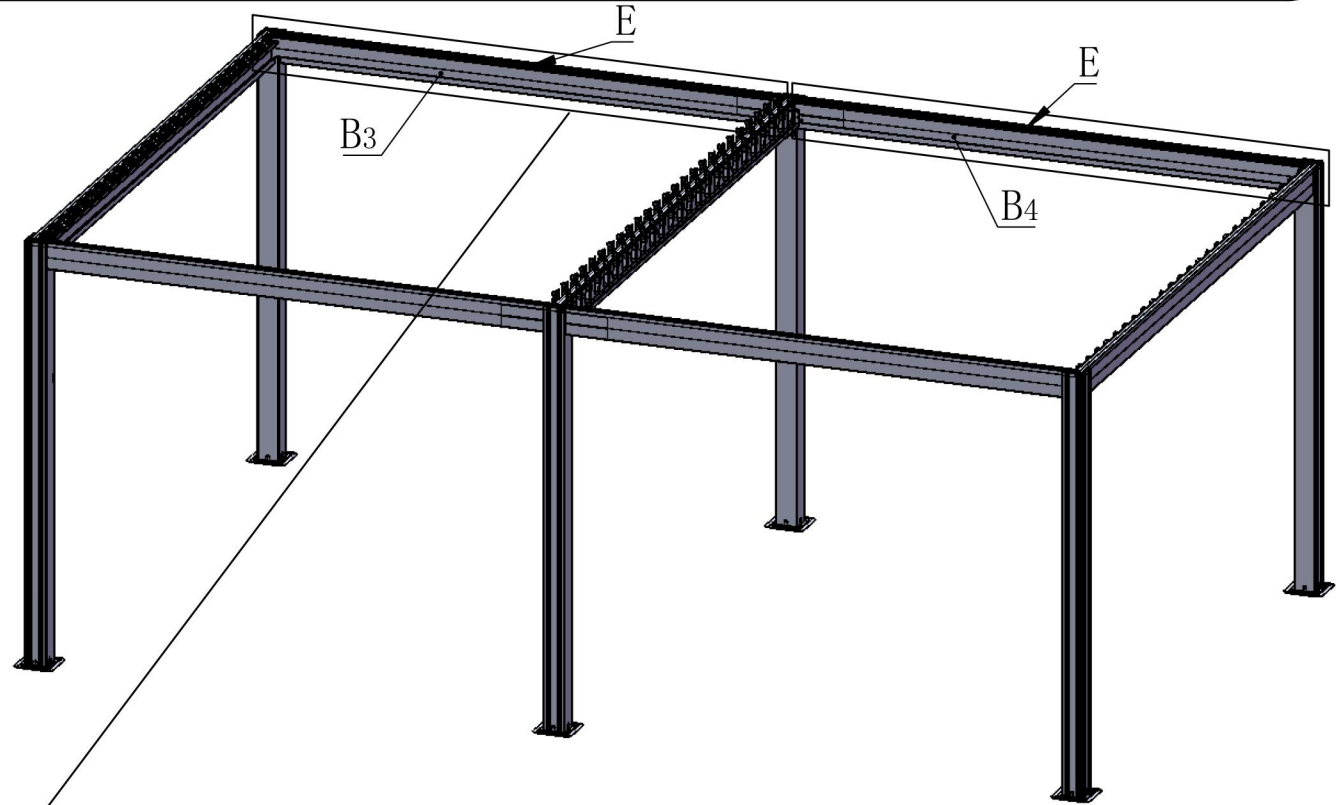
2X



5# 14X

E/2X

B3

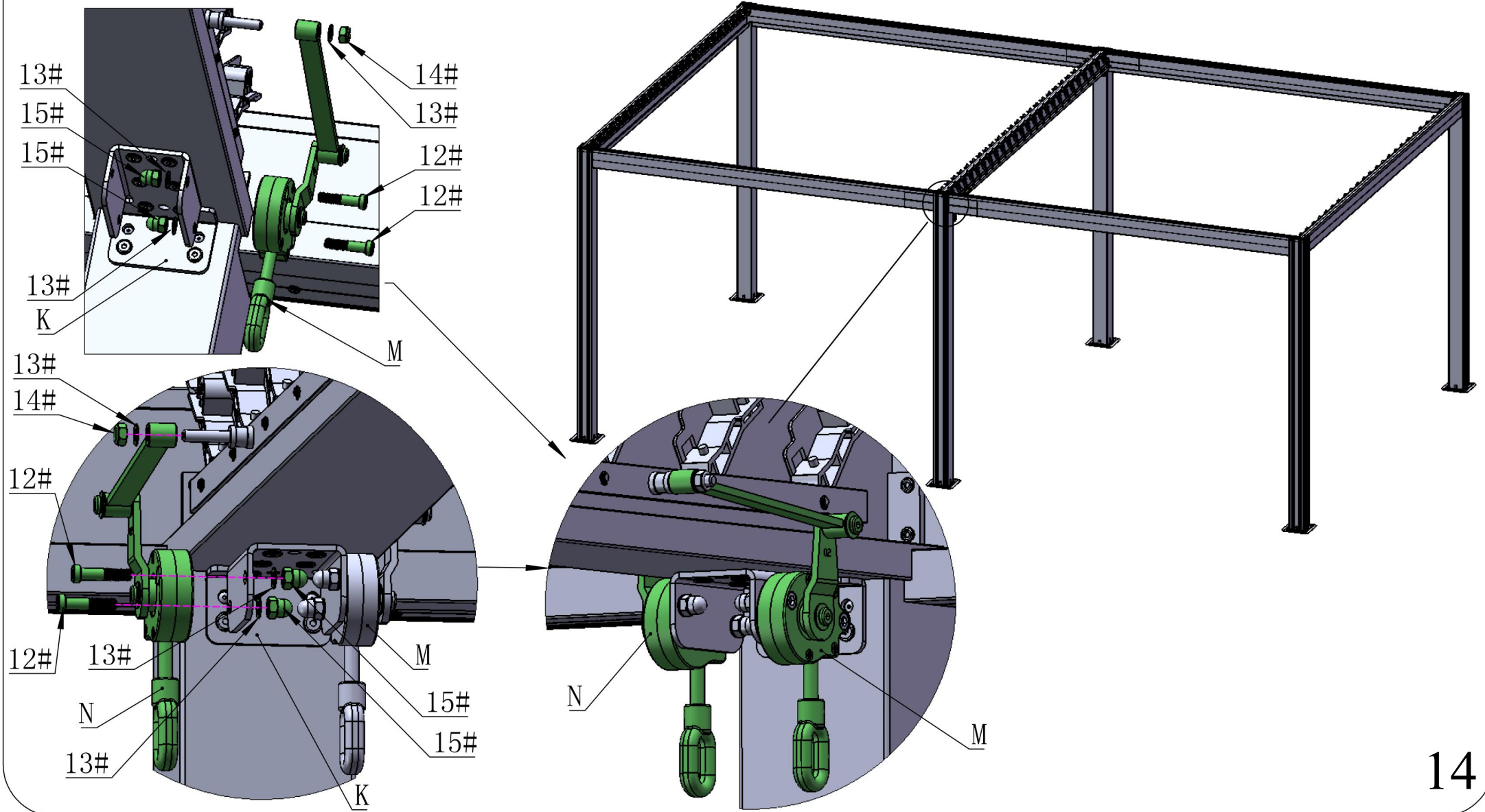
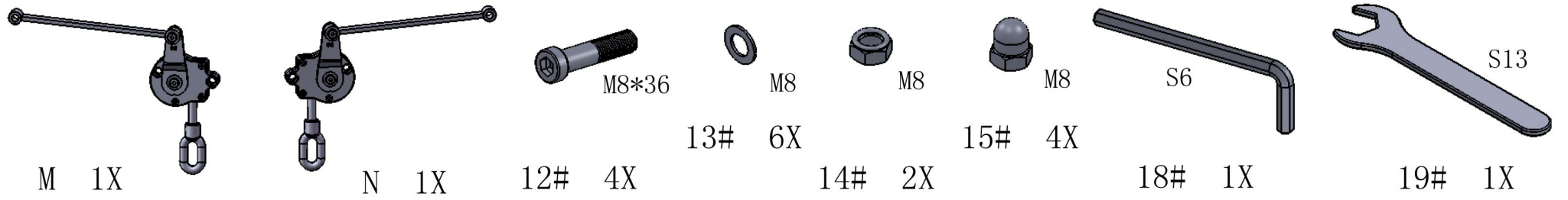


E

B3

E

B4



# STEP 2



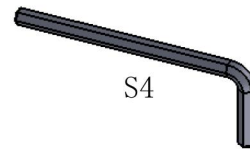




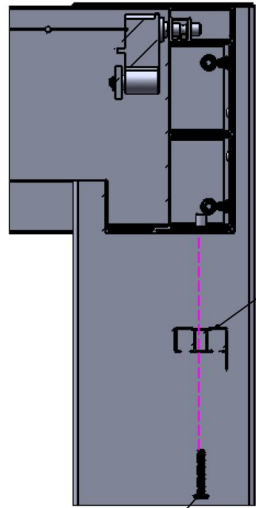
F1 2X



M5X30  
6# 12X

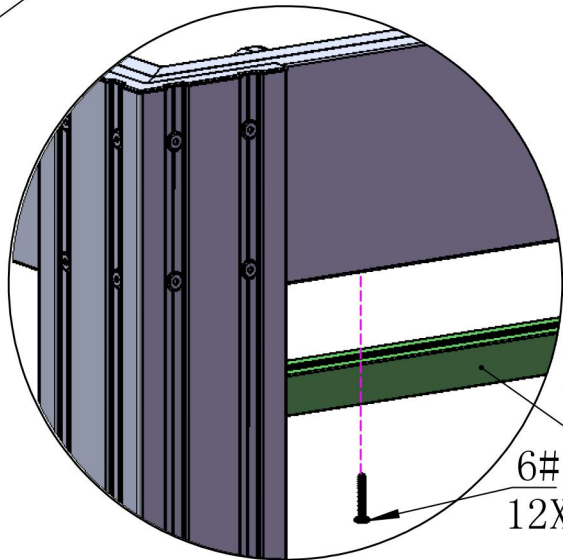


S4  
16# 1X

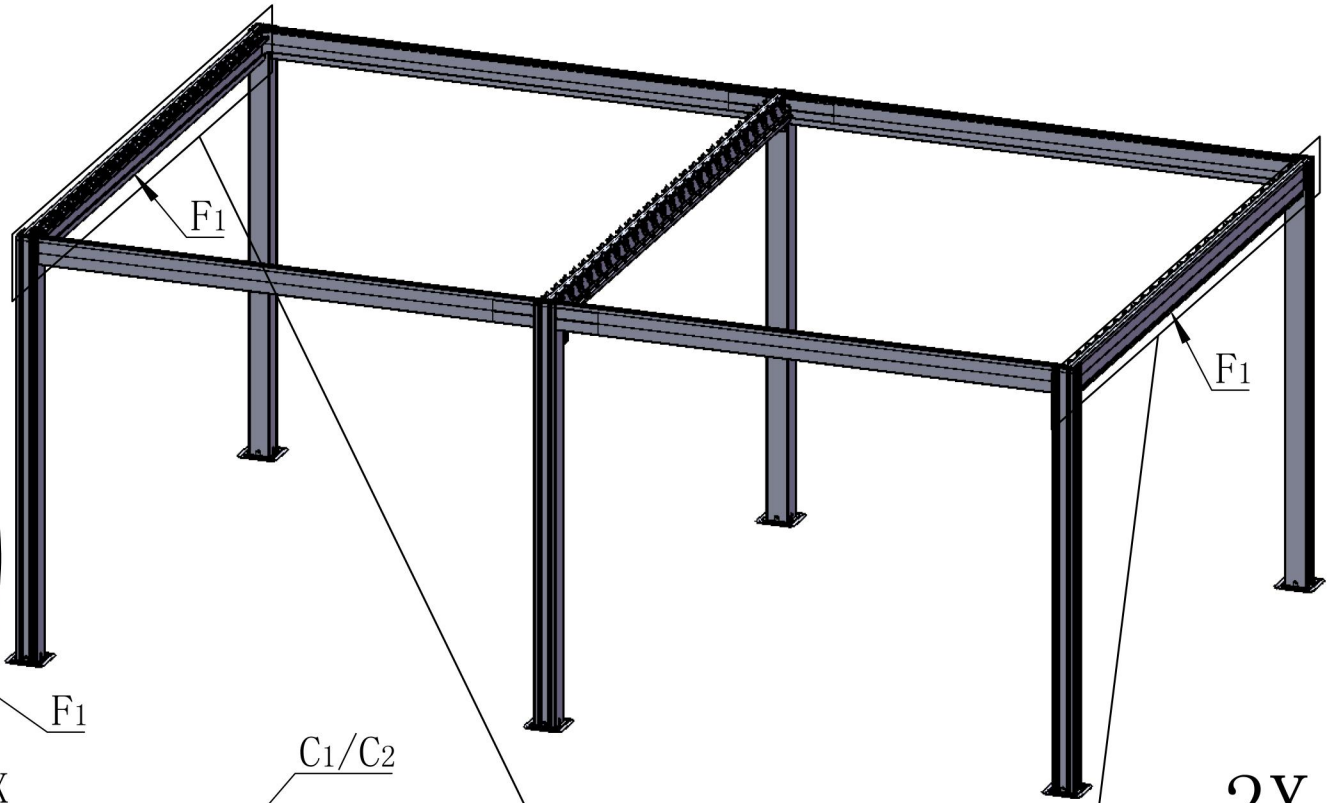


F1

6#



6#  
12X

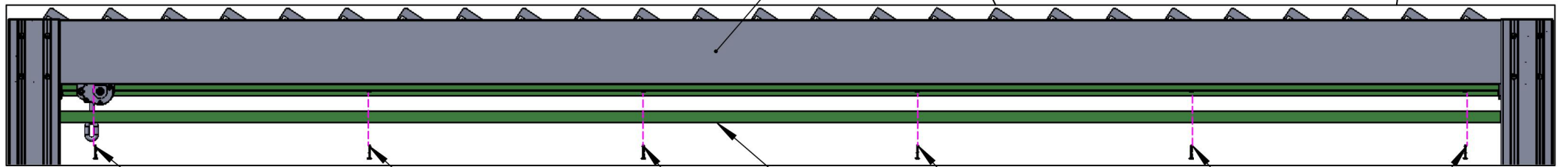


F1

F1

C1/C2

2X



6#

6#

6#

F1

6#

6#

6#

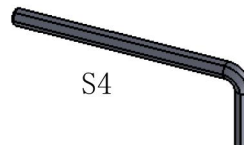
16



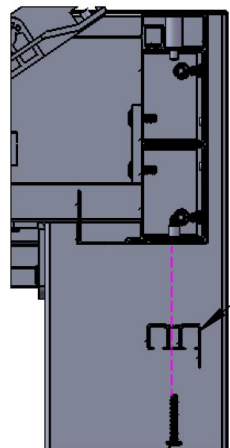
F2 4X



M5X30  
6# 16X

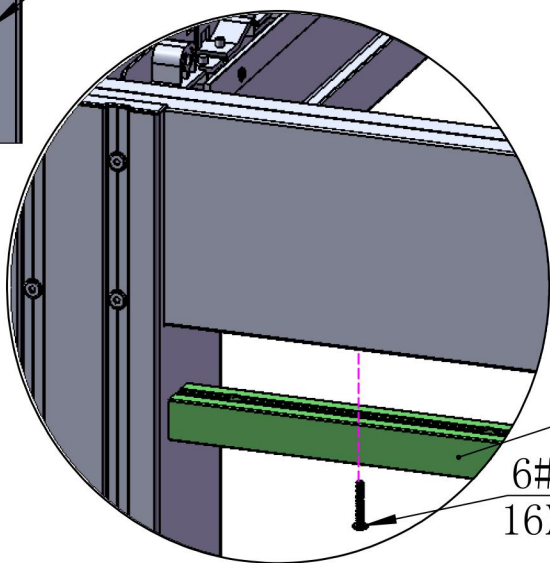


S4  
16# 1X



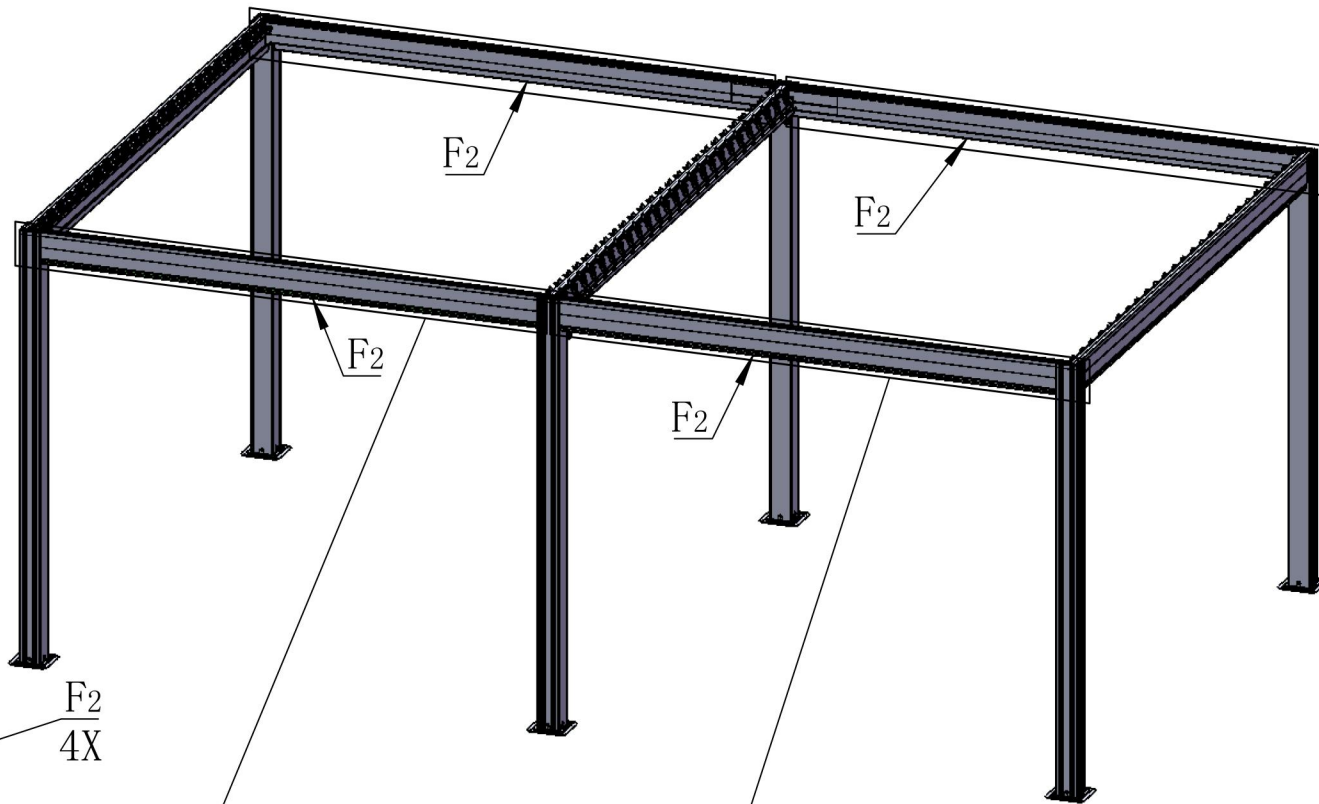
F2

6#



6#  
16X

F2  
4X



F2

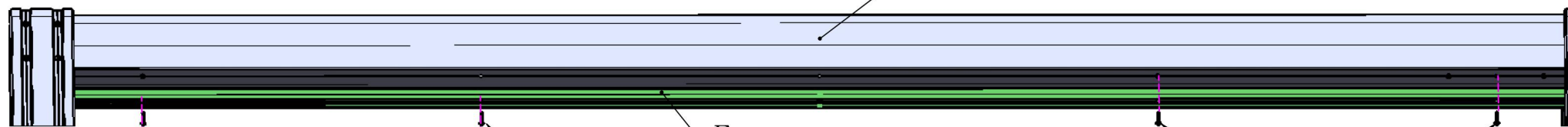
F2

F2

F2

B1-B4

4X



6#

6#

F2

6#

6#

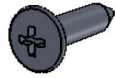
17



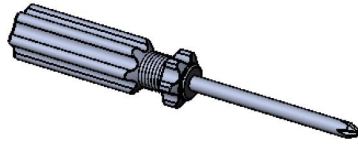
S 28X



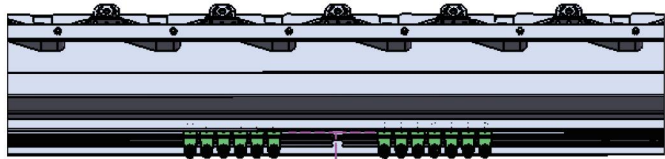
T 2X



2# 4X

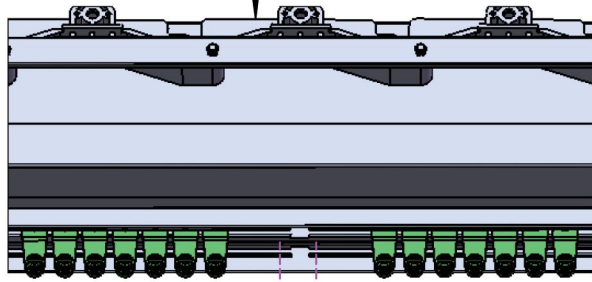


20# 1X



S 7X

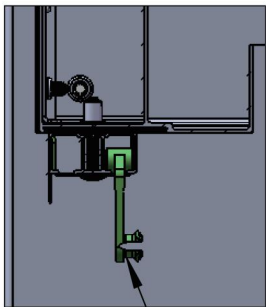
S 7X



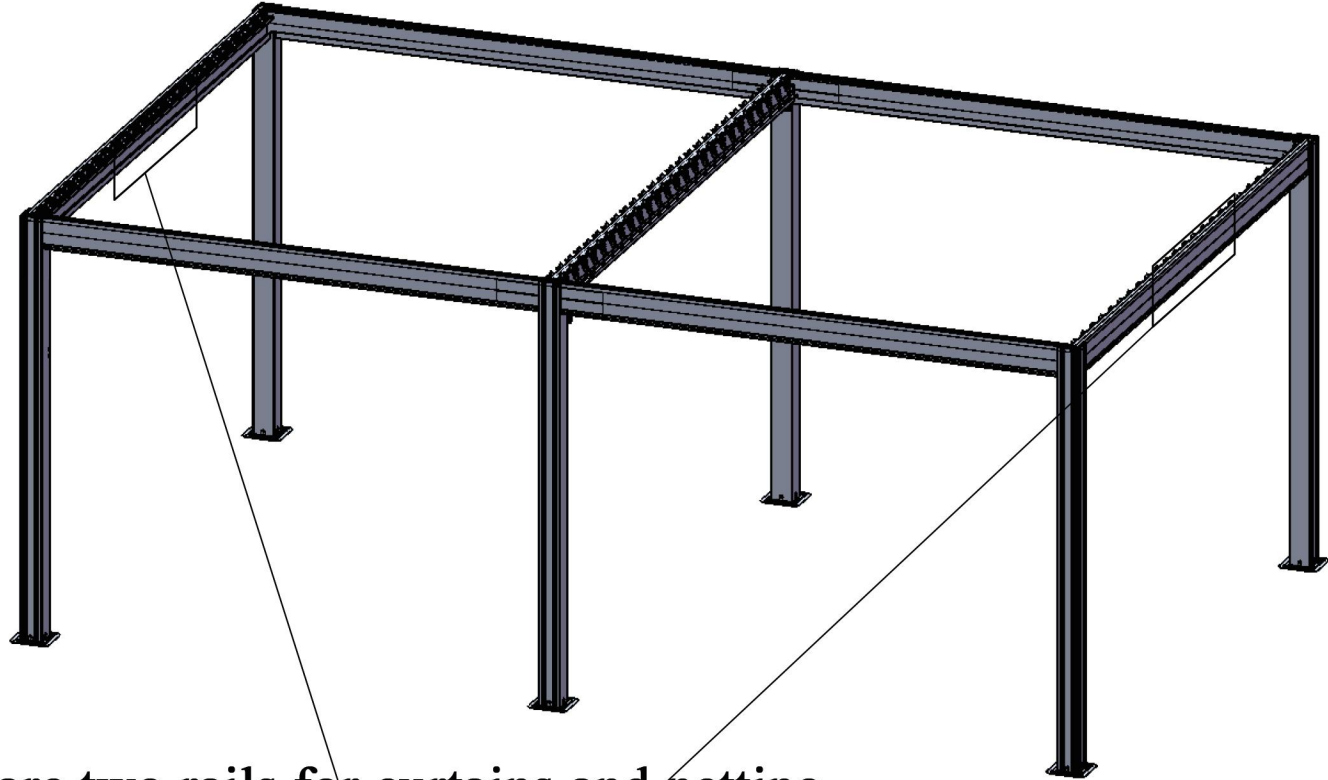
T

2#

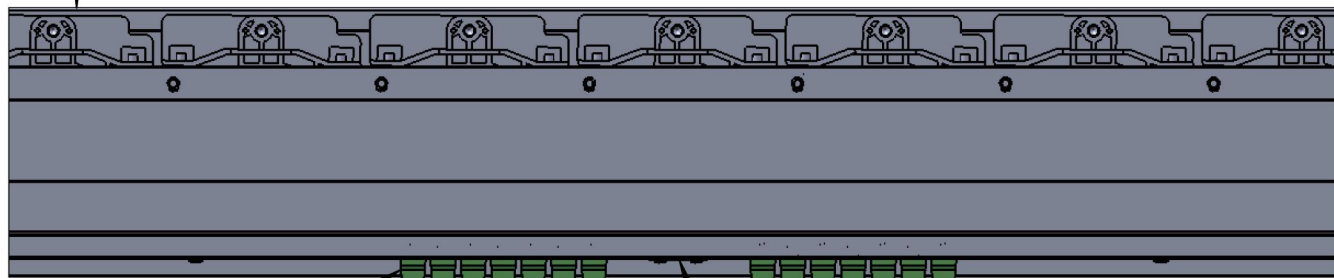
2#



S



⚠ Here are two rails for curtains and netting.



S 28X

T

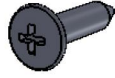
2X



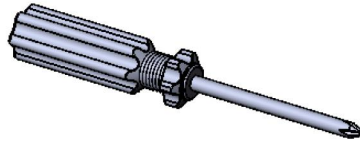
S 28X



T 2X

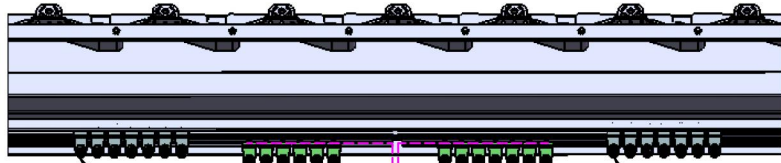


2# 4X



20# 1X

**ATTENTION:** Please remove Part #T before assembling hooks!

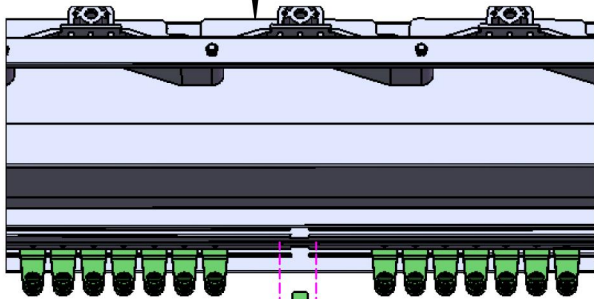


S  
7X

S  
7X

S  
7X

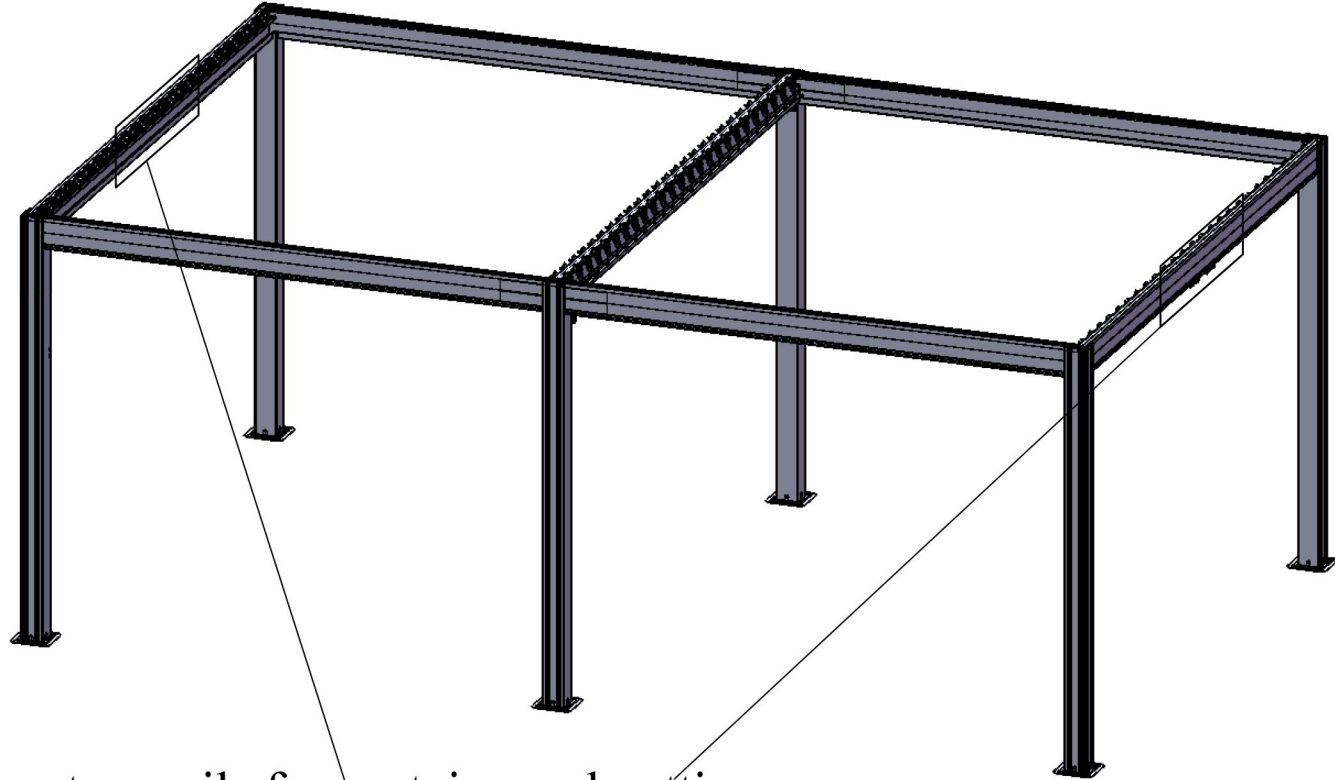
S  
7X



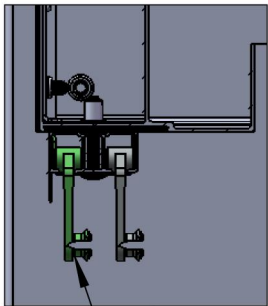
T

2#

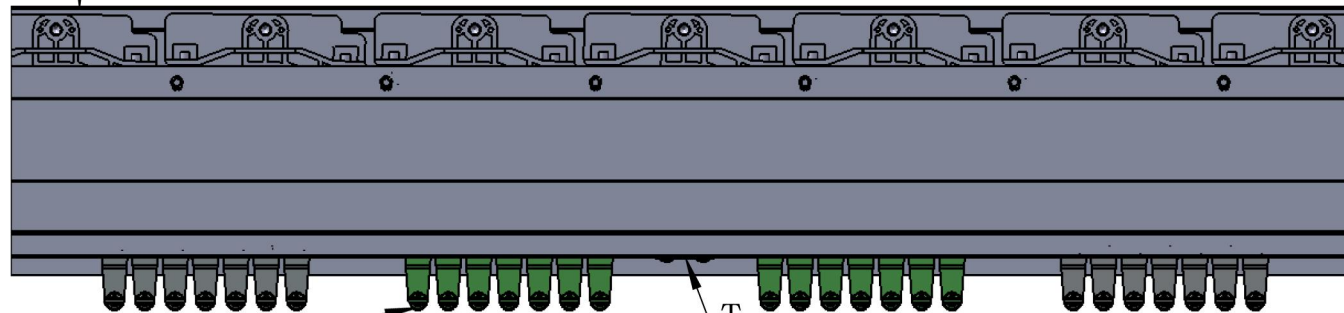
2#



**▲** Here are two rails for curtains and netting.



S



S 28X

T

2X



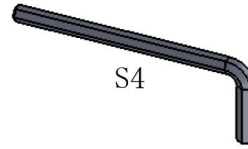
S 48X



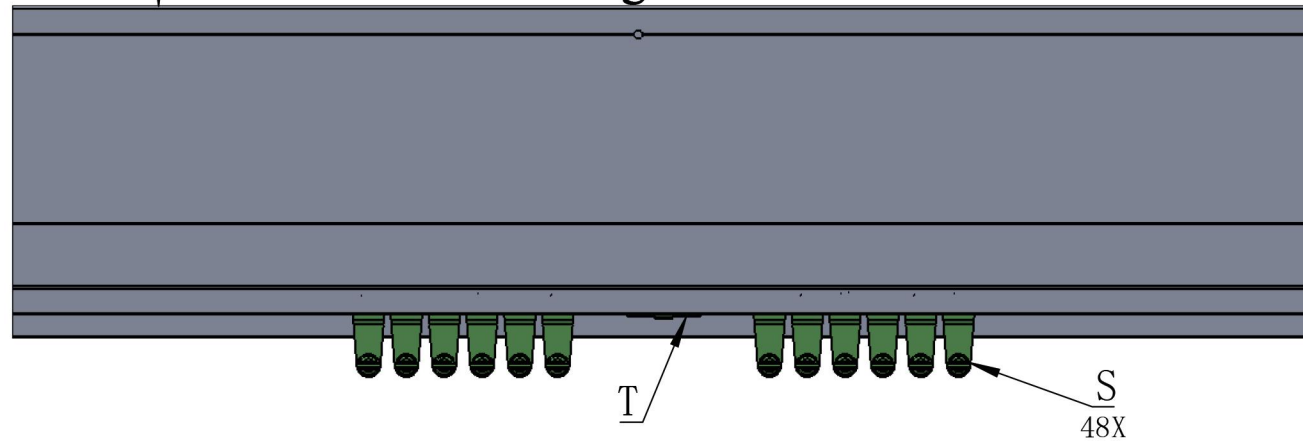
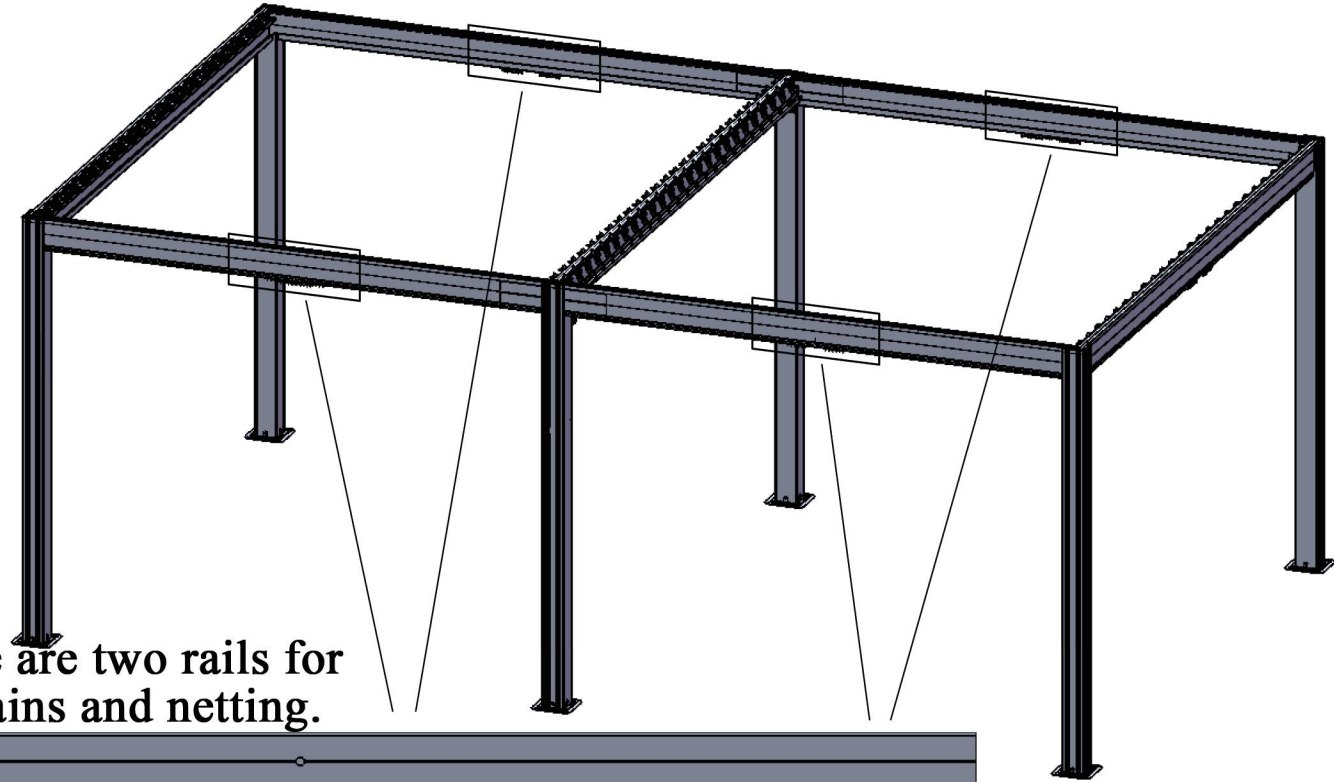
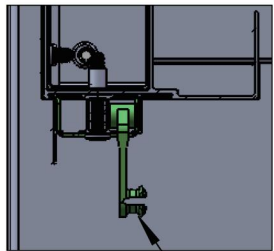
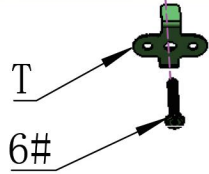
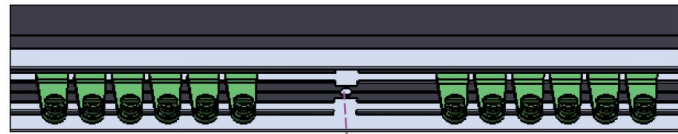
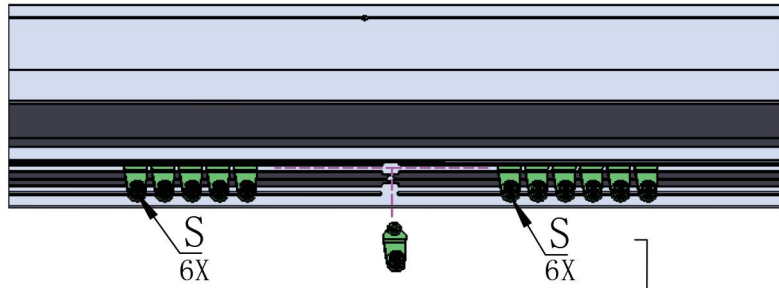
T 4X



6# 4X



S4 1X



4X

S 48X



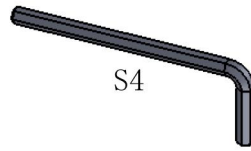
S 48X



T 4X

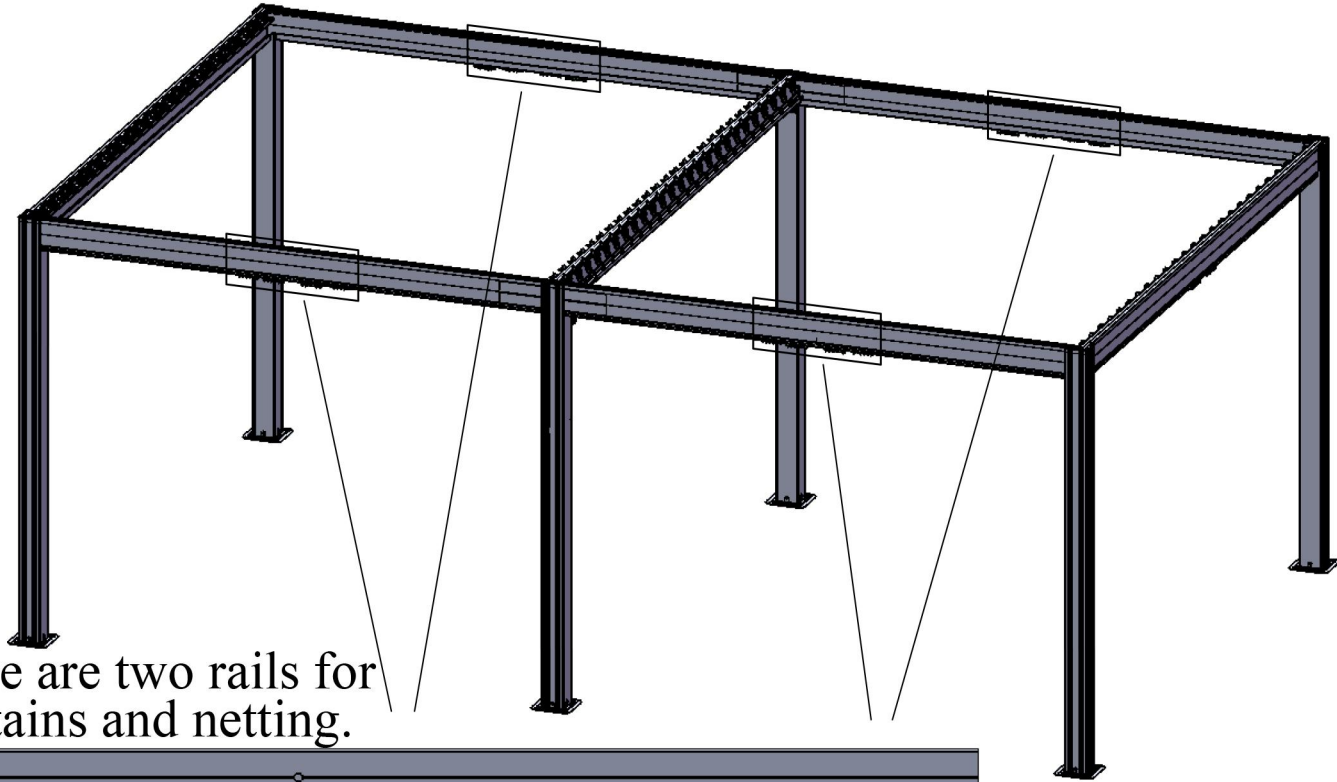
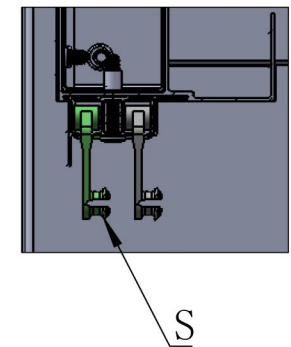
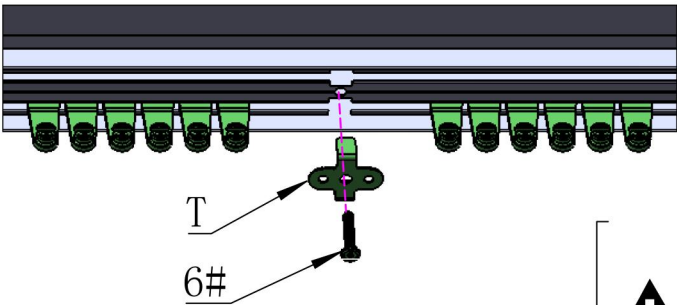
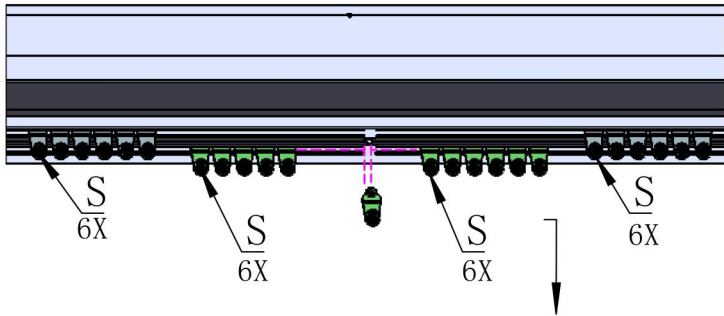


6# 4X

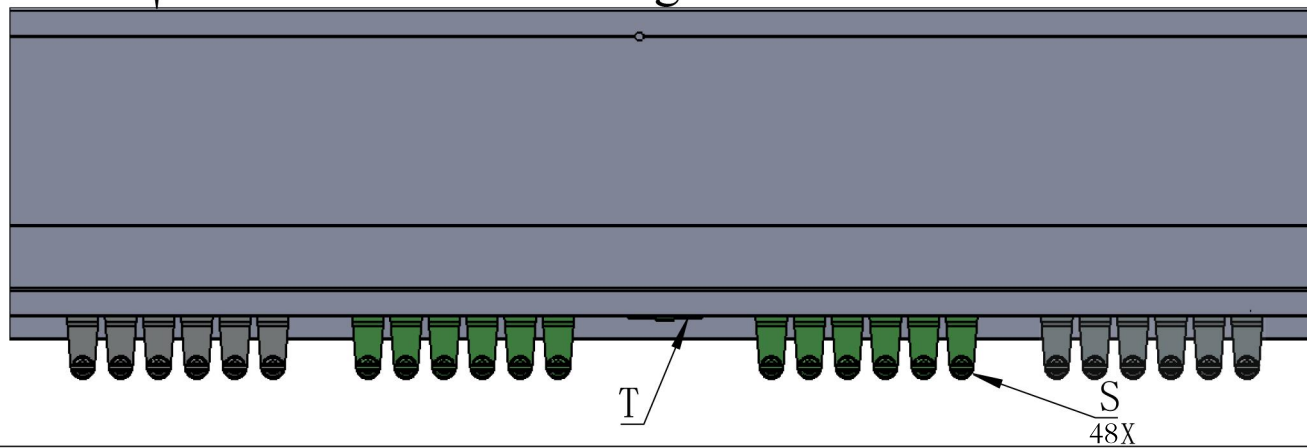


S4 1X

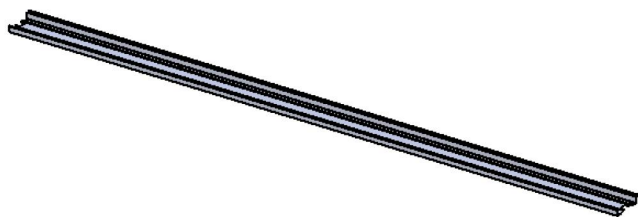
**ATTENTION:** Please remove Part #T before assembling hooks!



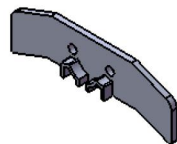
**!** Here are two rails for curtains and netting.



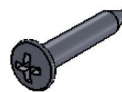
4X



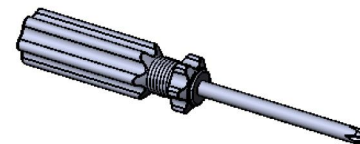
G 50X



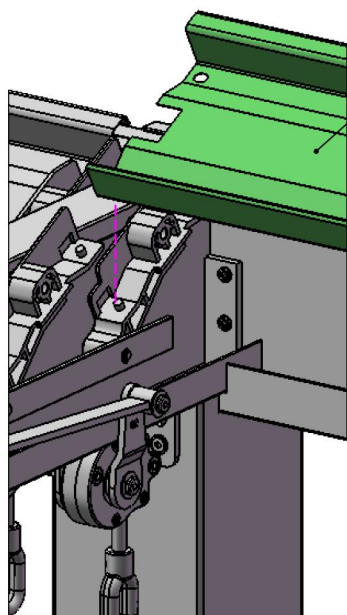
R 100X



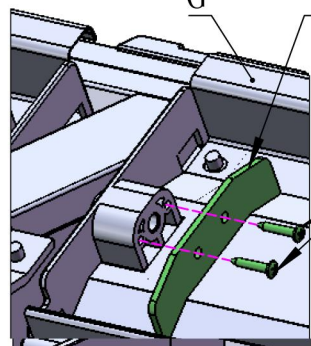
3# 200X



20# 1X



G 50X

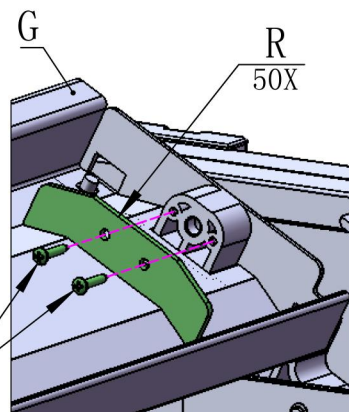


G

R 50X

3# 100X

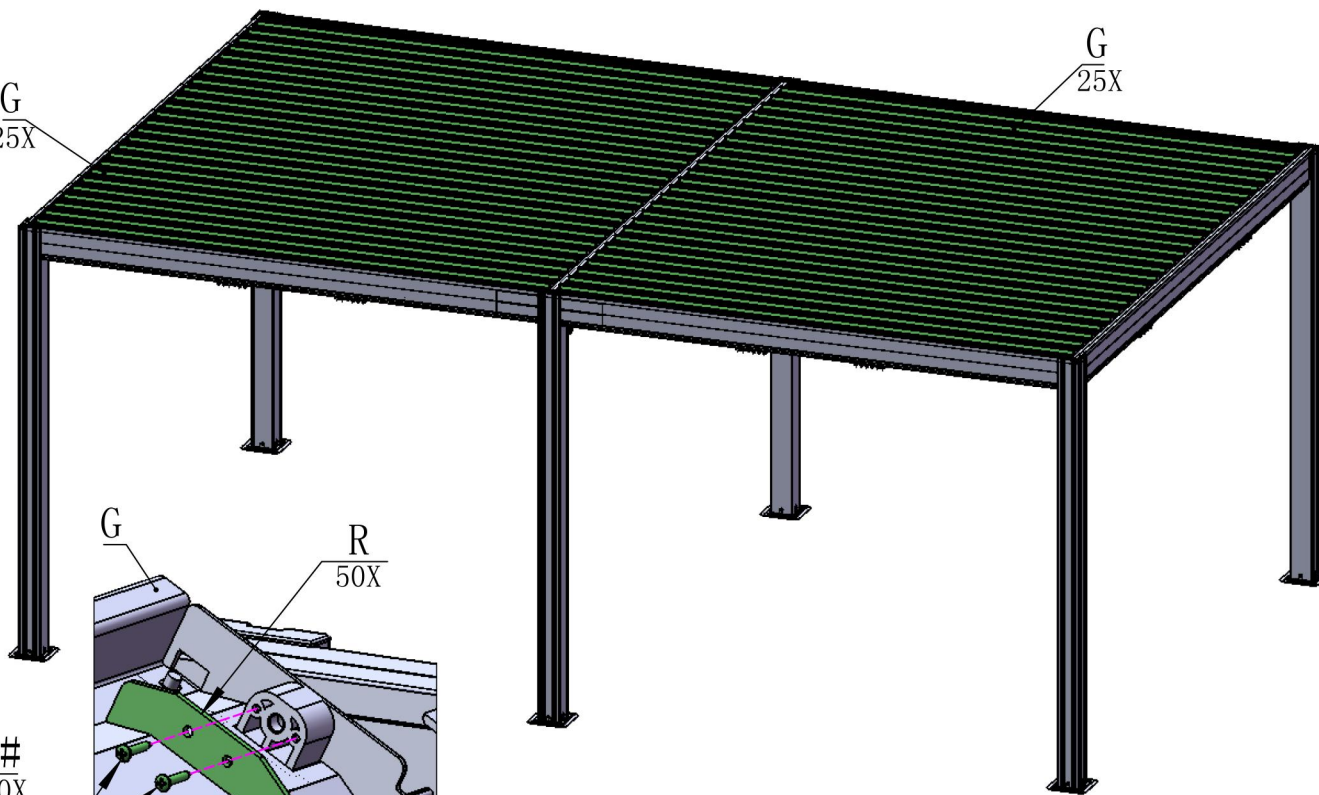
3# 100X



G

R 50X

G 25X



G 25X



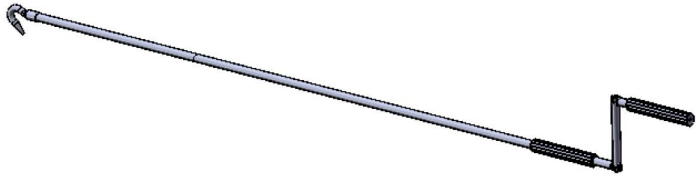
G 50X

3# 200X

R 100X

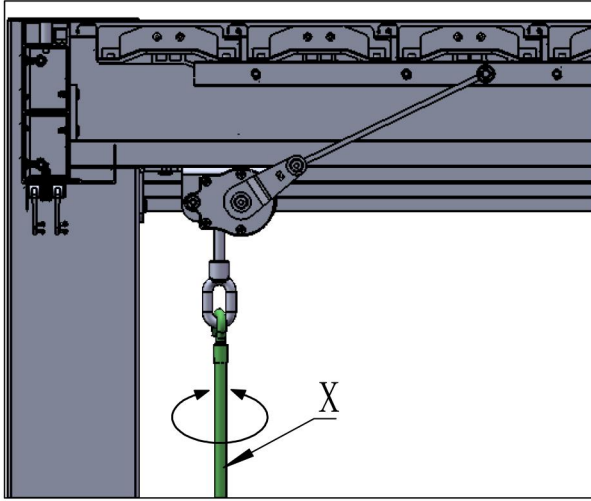
2X

22

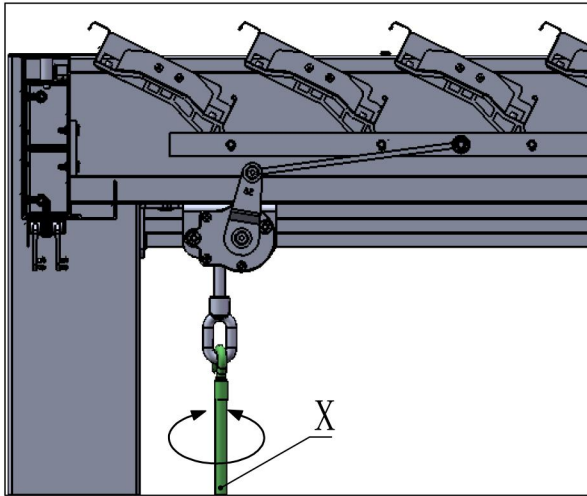


X

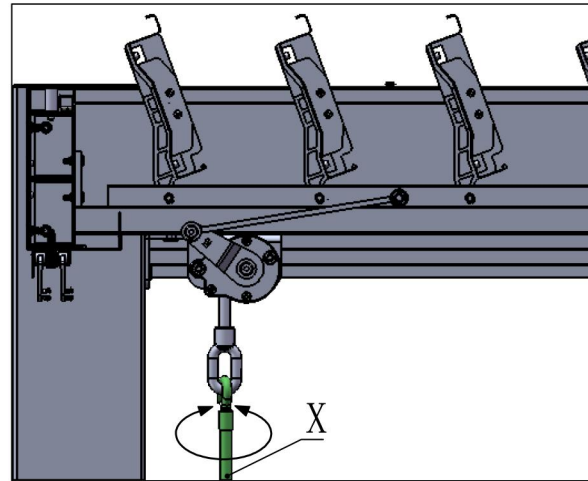
1X



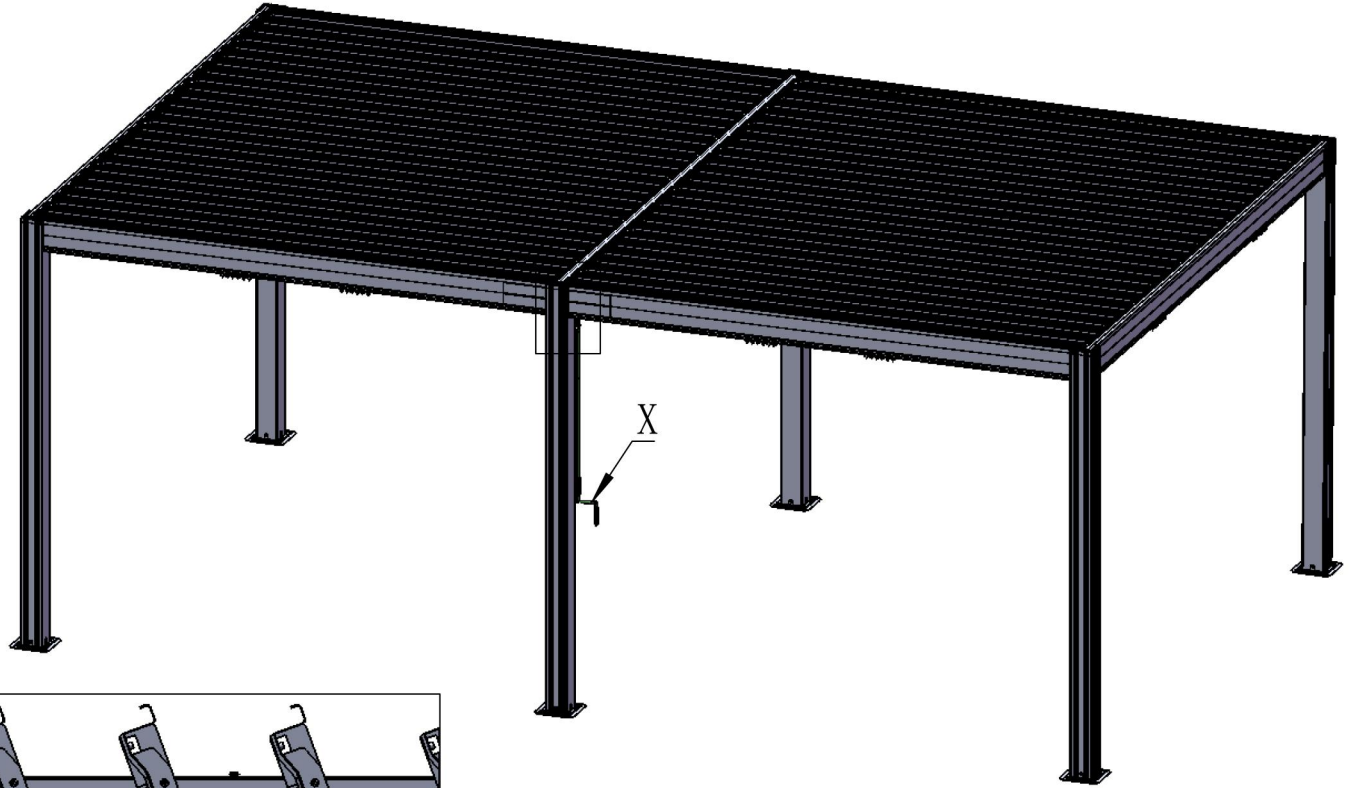
X



X



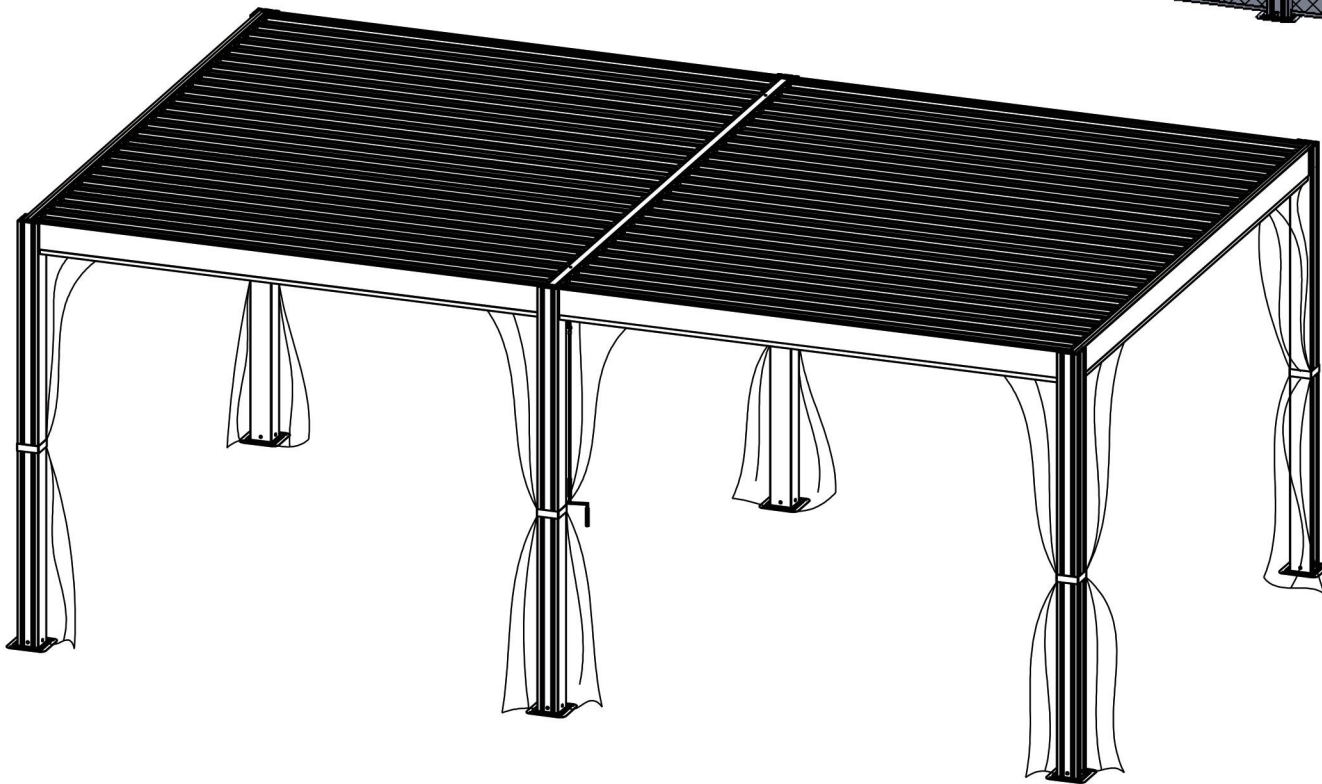
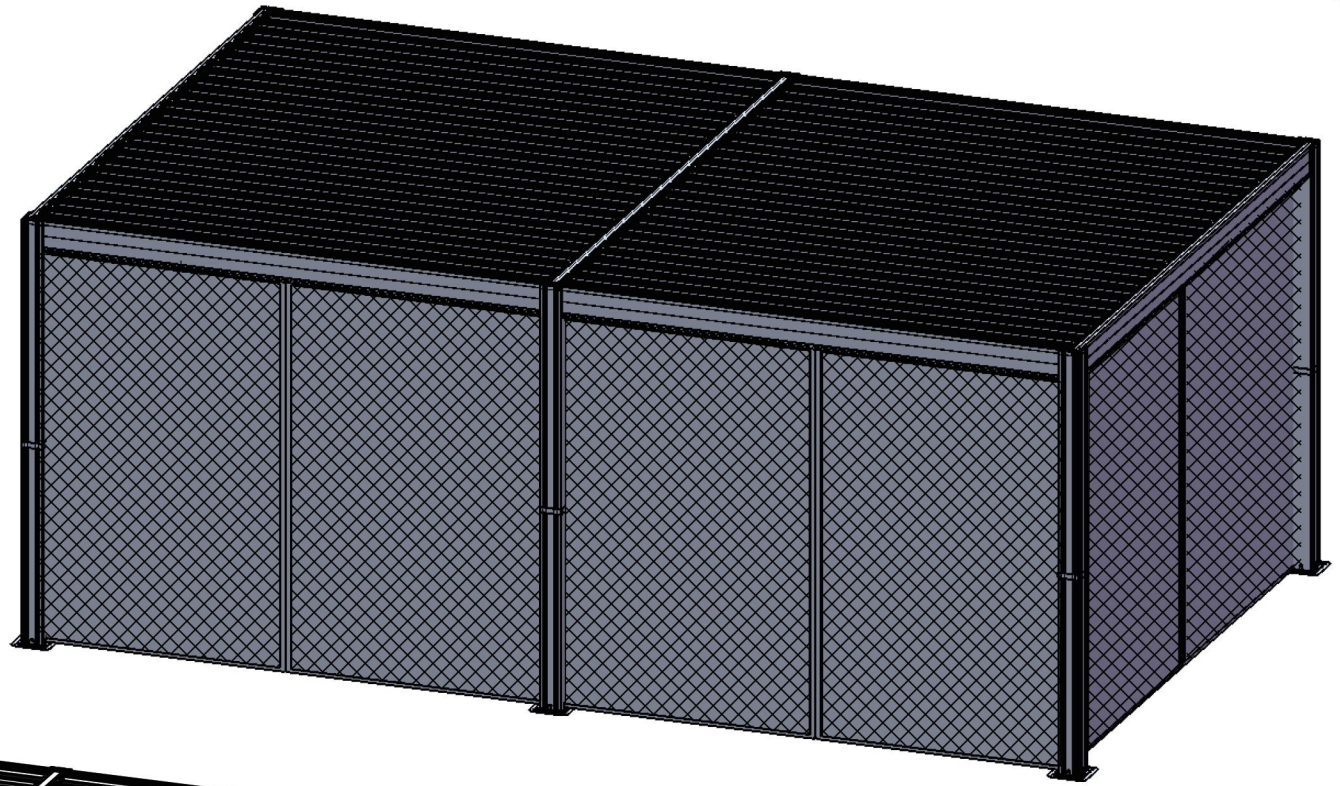
X

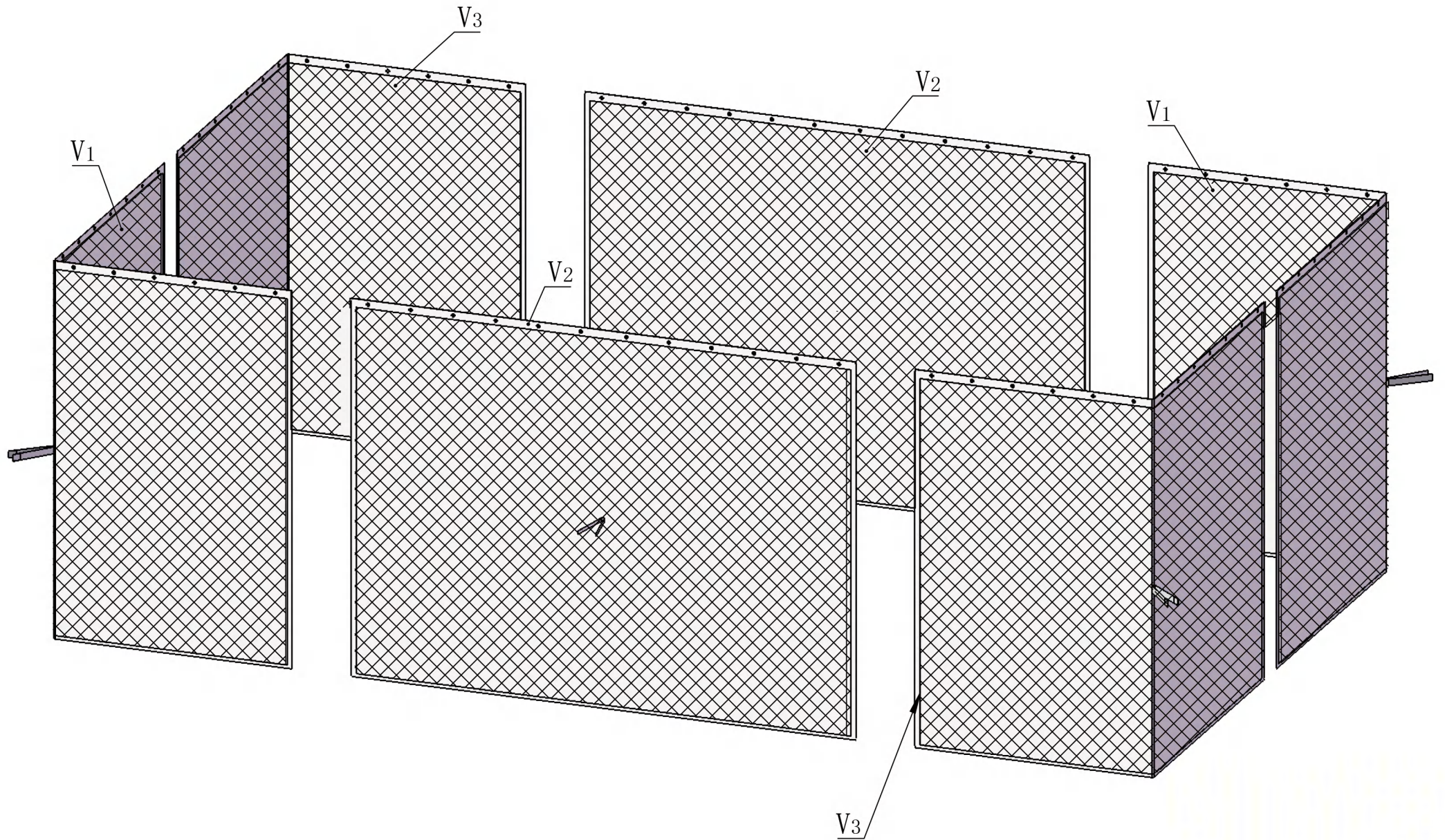


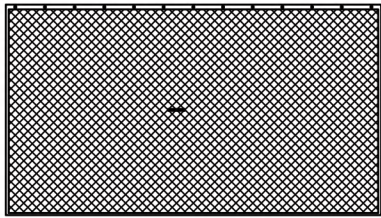
X



# STEP 3

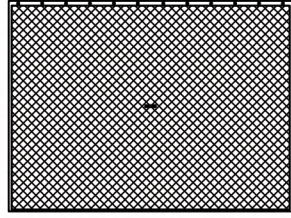






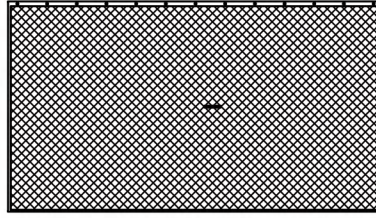
V1

2X



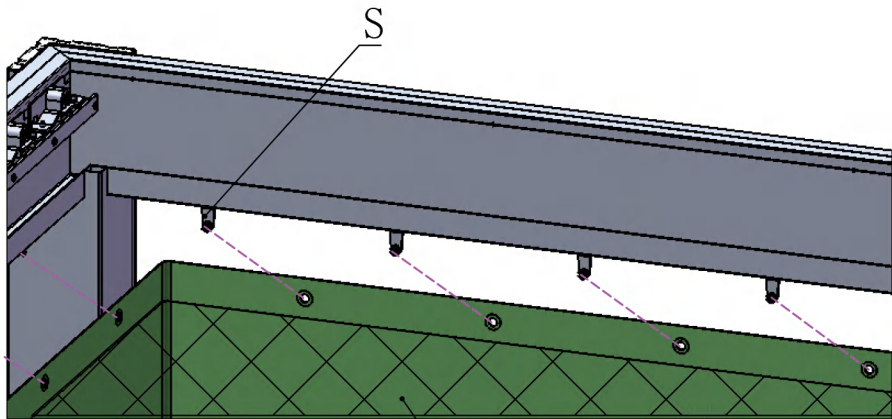
V2

2X

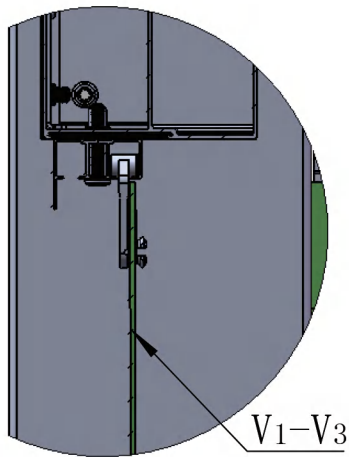
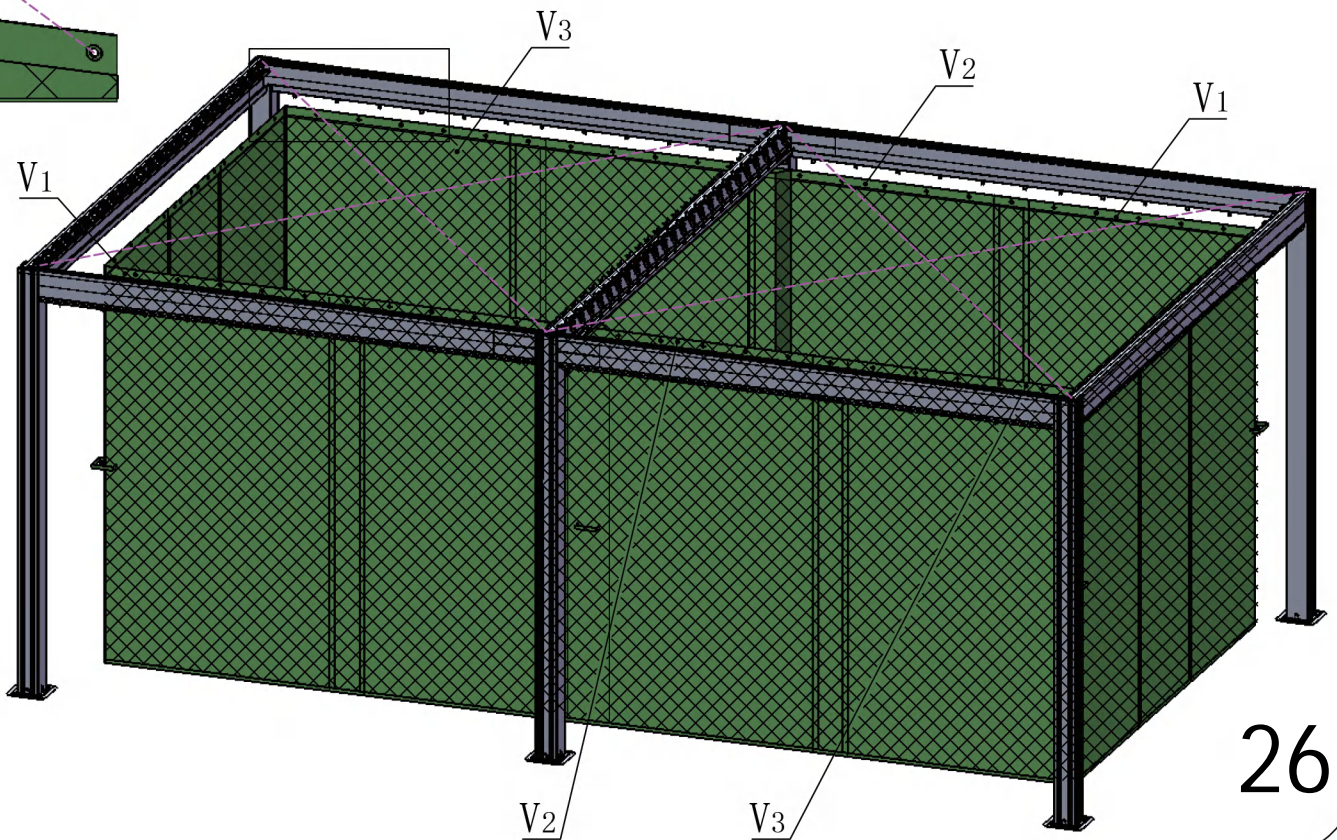


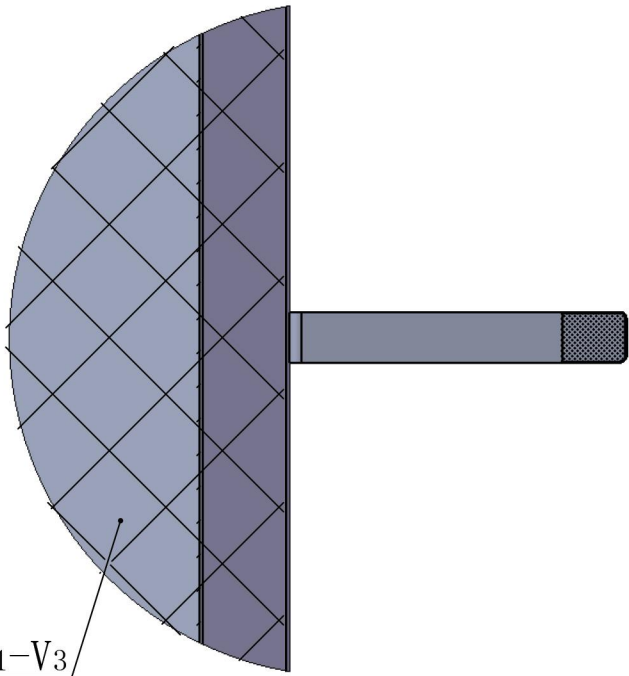
V3

2X

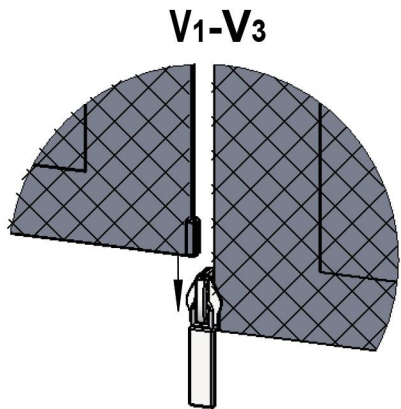
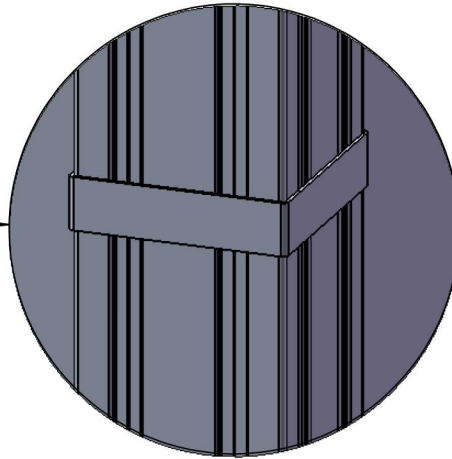


Pictures below indicate the number of holes on the curtains, each hole is match to one hook.

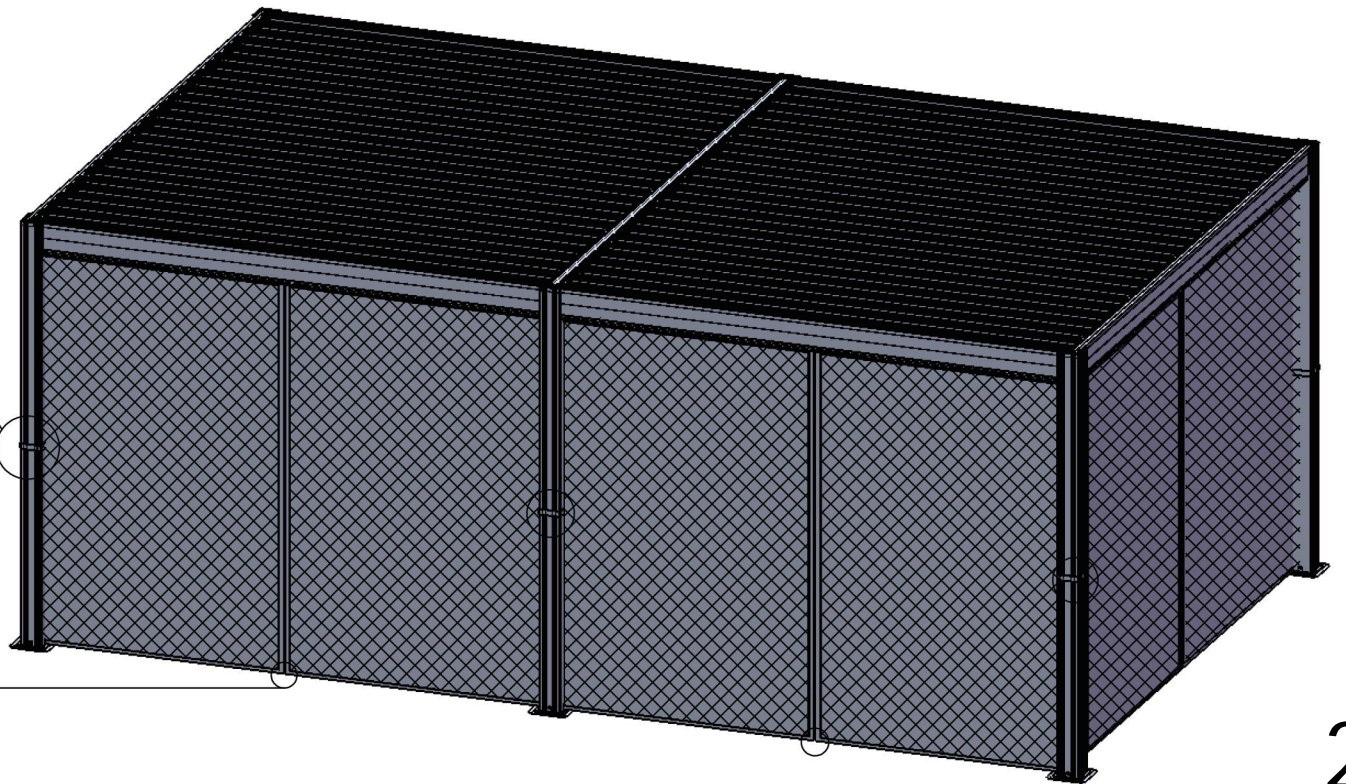


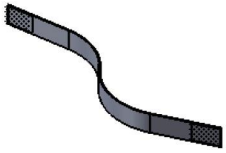


V<sub>1</sub>-V<sub>3</sub>

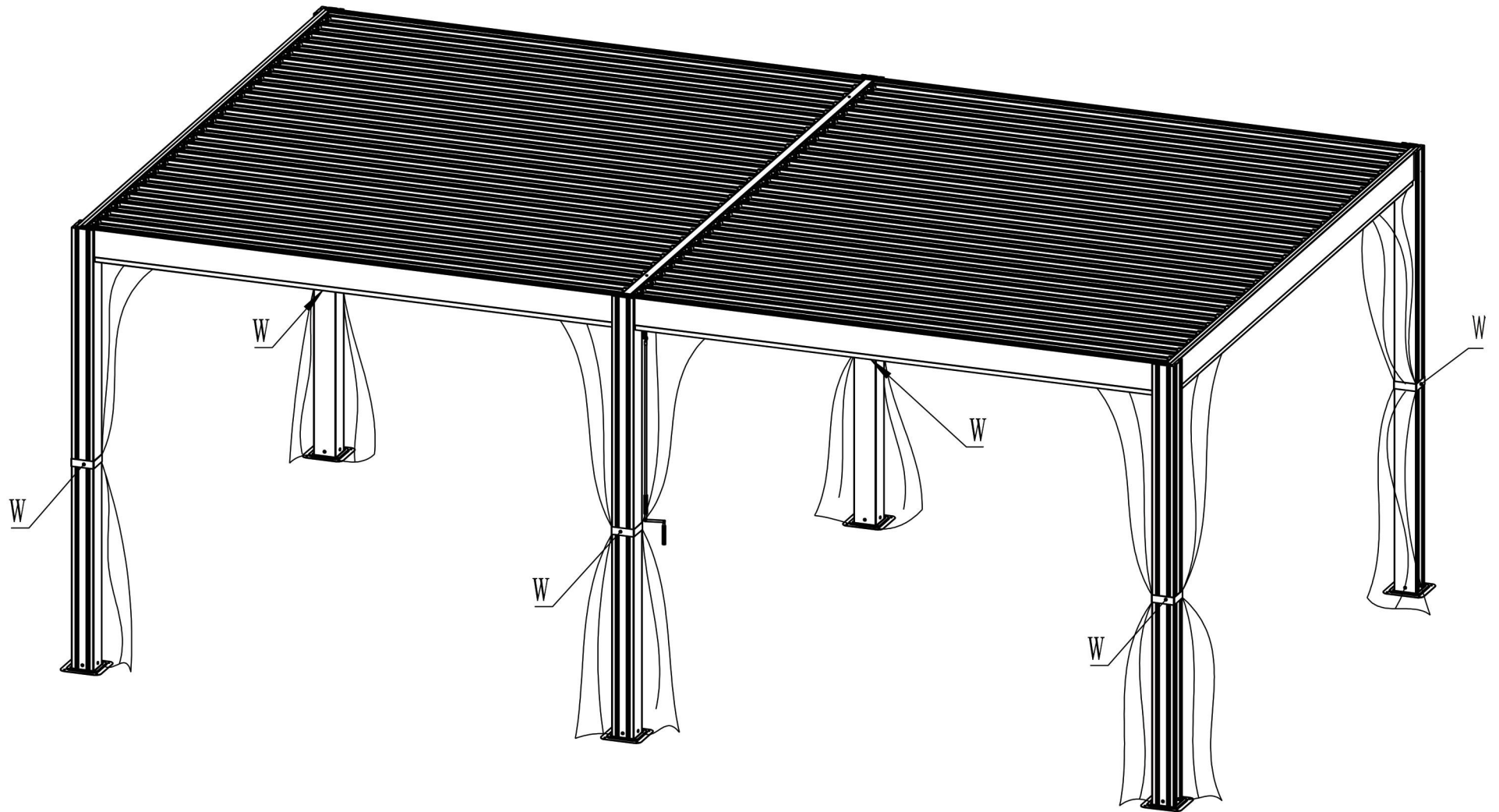


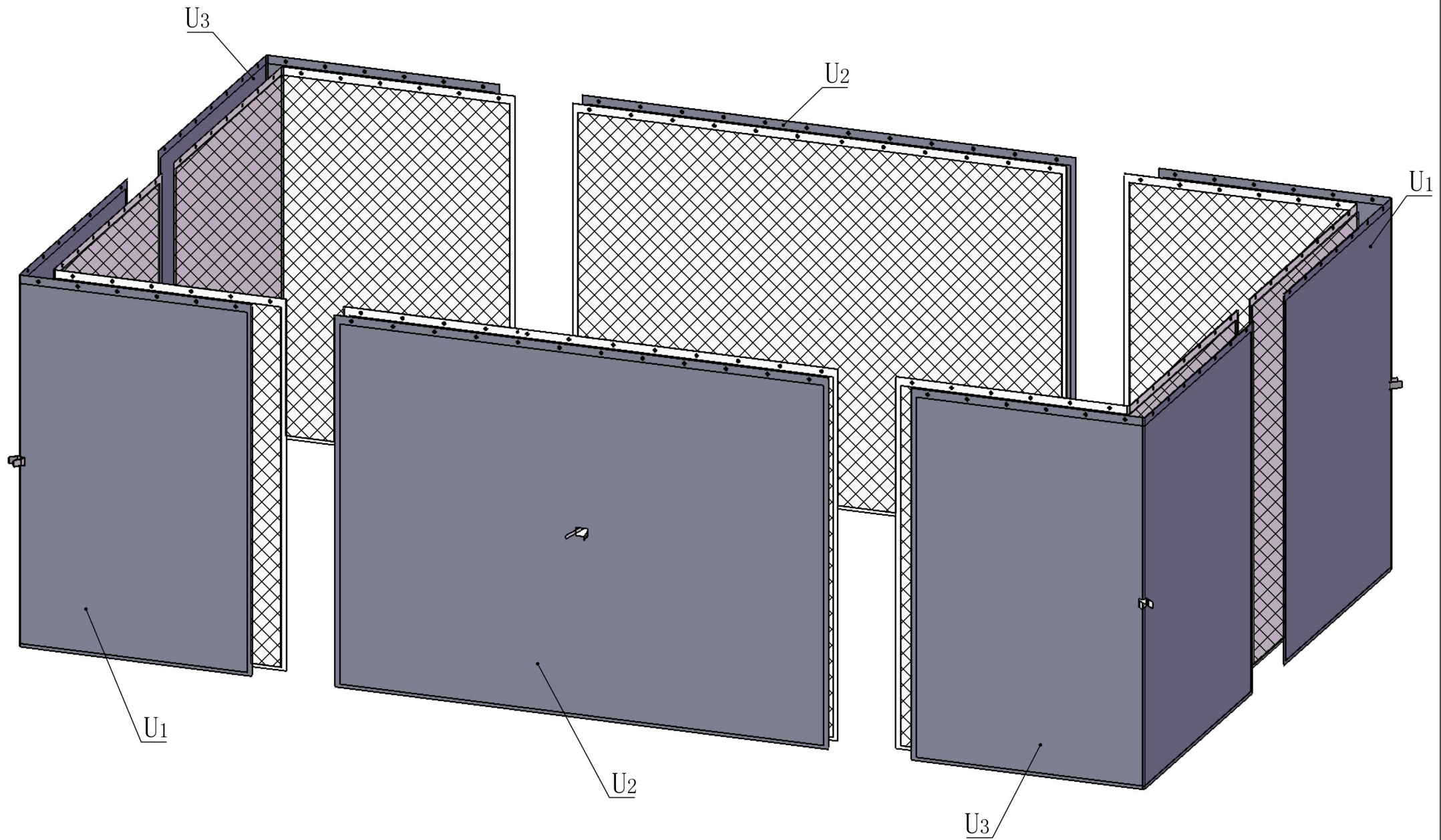
V<sub>1</sub>-V<sub>3</sub>





W 6X

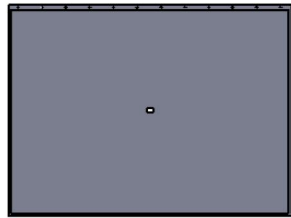






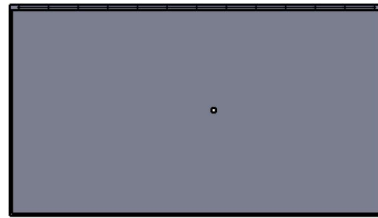
U1

2X



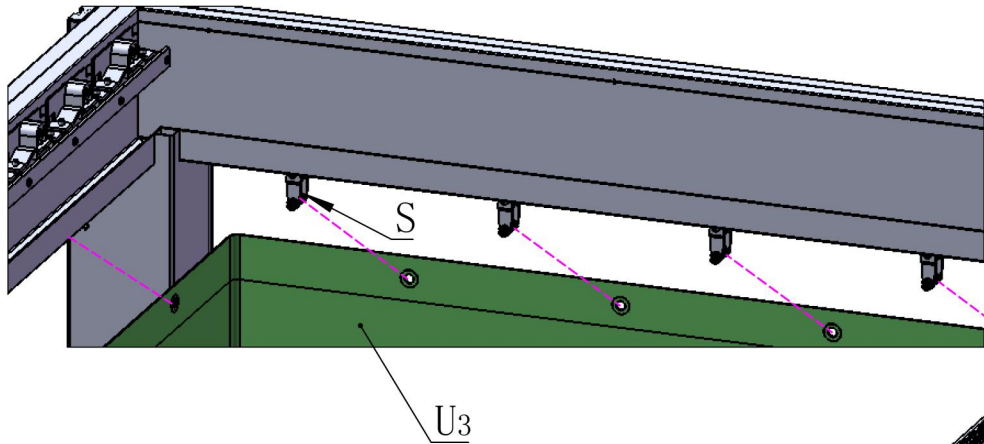
U2

2X

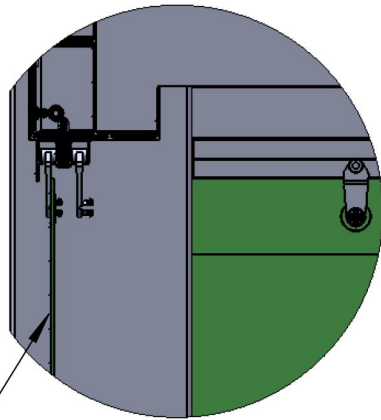


U3

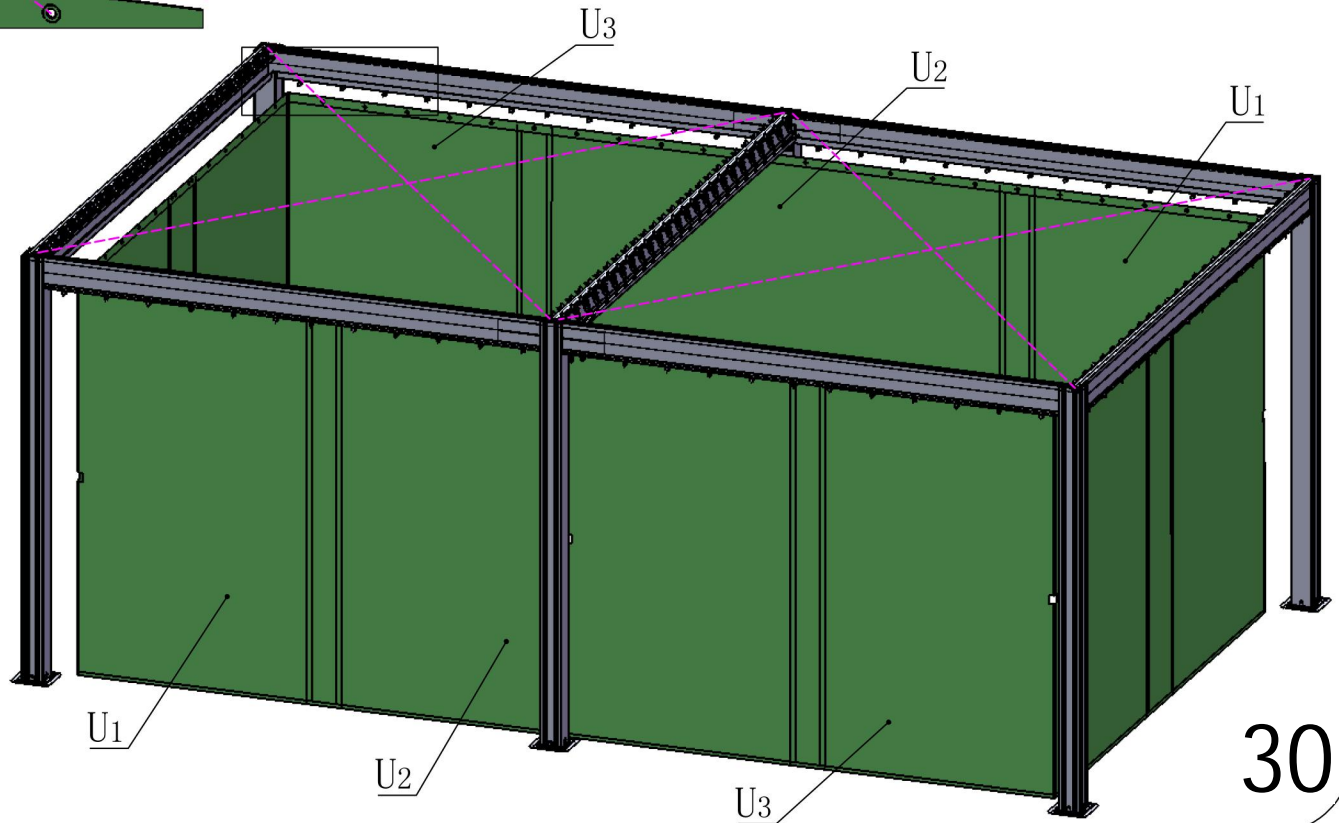
2X

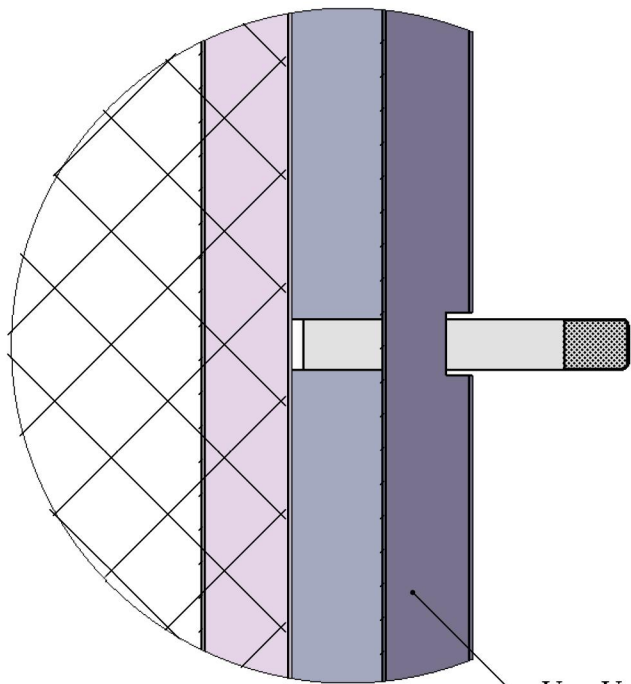


Pictures below indicate the number of holes on the curtains, each hole is match to one hook.

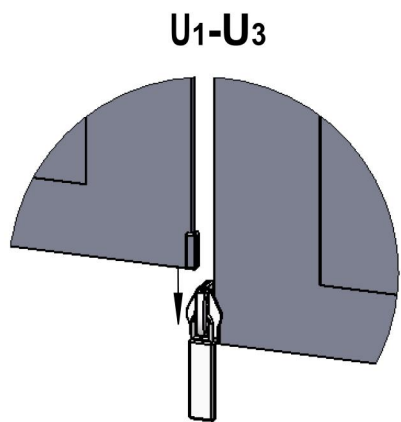
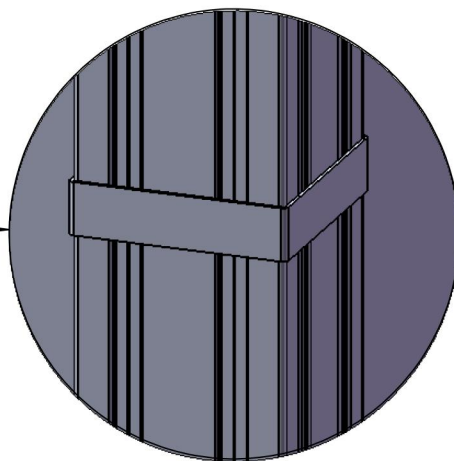


U1-U3

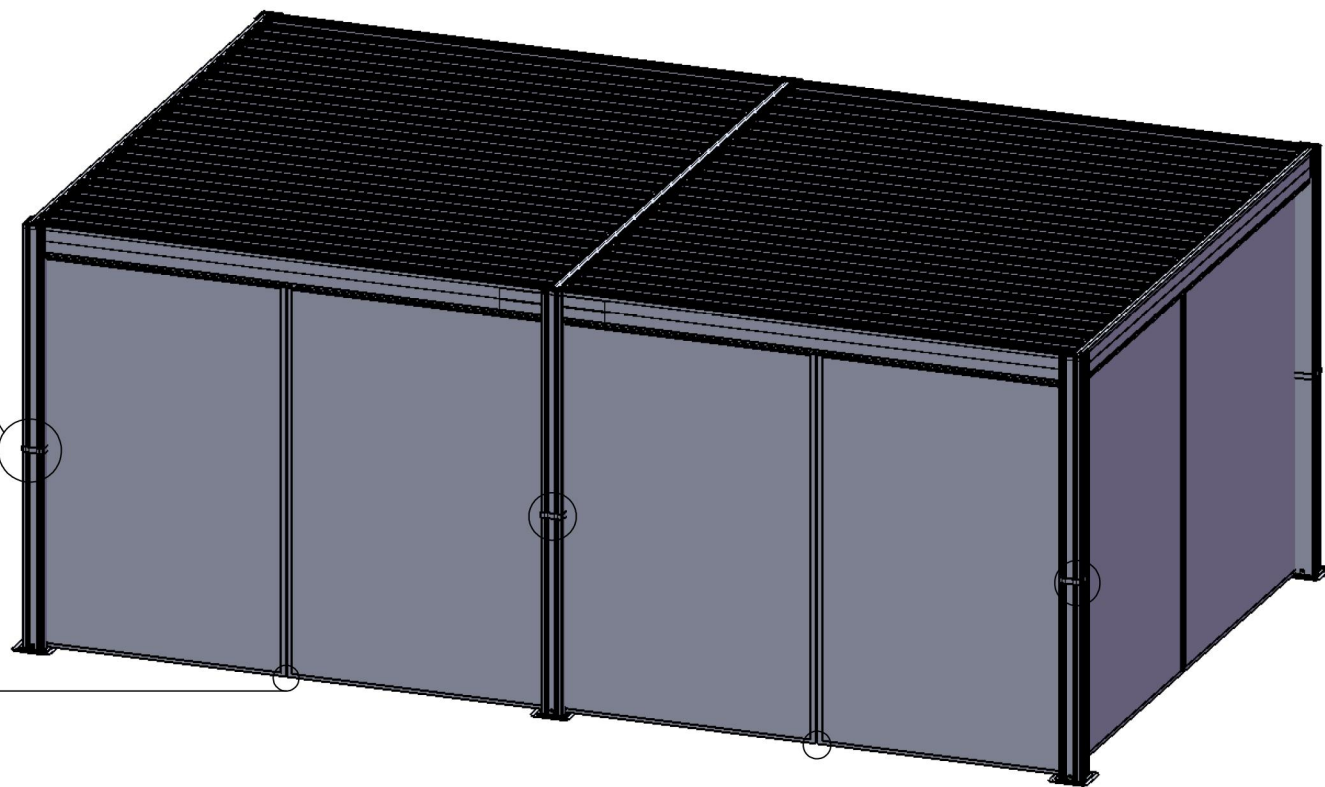




U1-U3



U1-U3







RESORT COMFORT IN YOUR  
OWN BACKYARD

**Support:**



Email: [service@domioutdoorliving.com](mailto:service@domioutdoorliving.com)

Please tell us your order ID when contact.

Attach photos of damaged part for instant reply.