

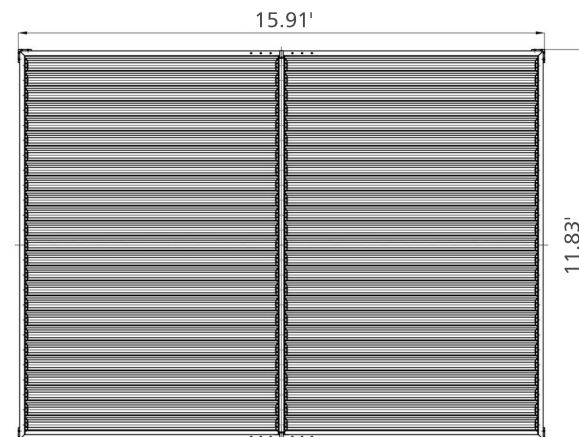
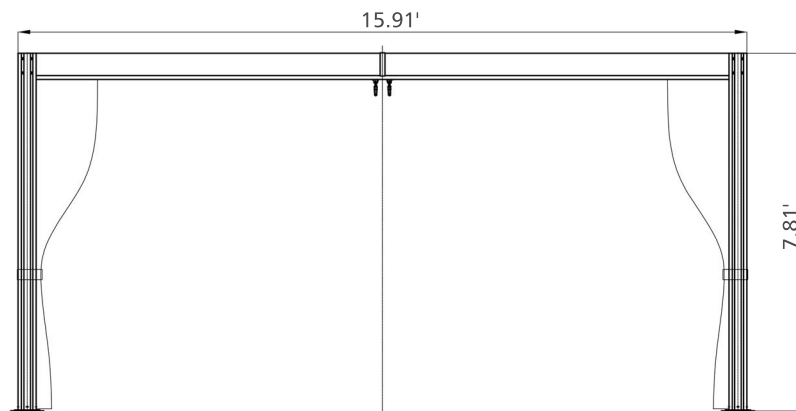


12'x16'

SKU:LGMF1591

LOUVERED PERGOLA

Assembly Manual



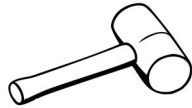
Pre-assembly

TOOLS THAT MAY BE REQUIRED (Not included in boxes)

*NOTE: Tools / equipment are not shown to actual size and scale.



LEVEL



RUBBER Mallet



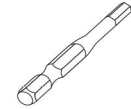
PHILLIPS SCREW



DRILL



ALLEN KEY



ALLEN KEY

EQUIPMENT REQUIRED (Not included in boxes)

*NOTE: Equipment are not shown to actual size and scale.



SAFETY HAT



GLOVES



SAFETY GOGGLES



STEPLADDER

Matters needing attention

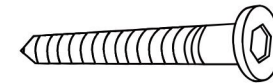
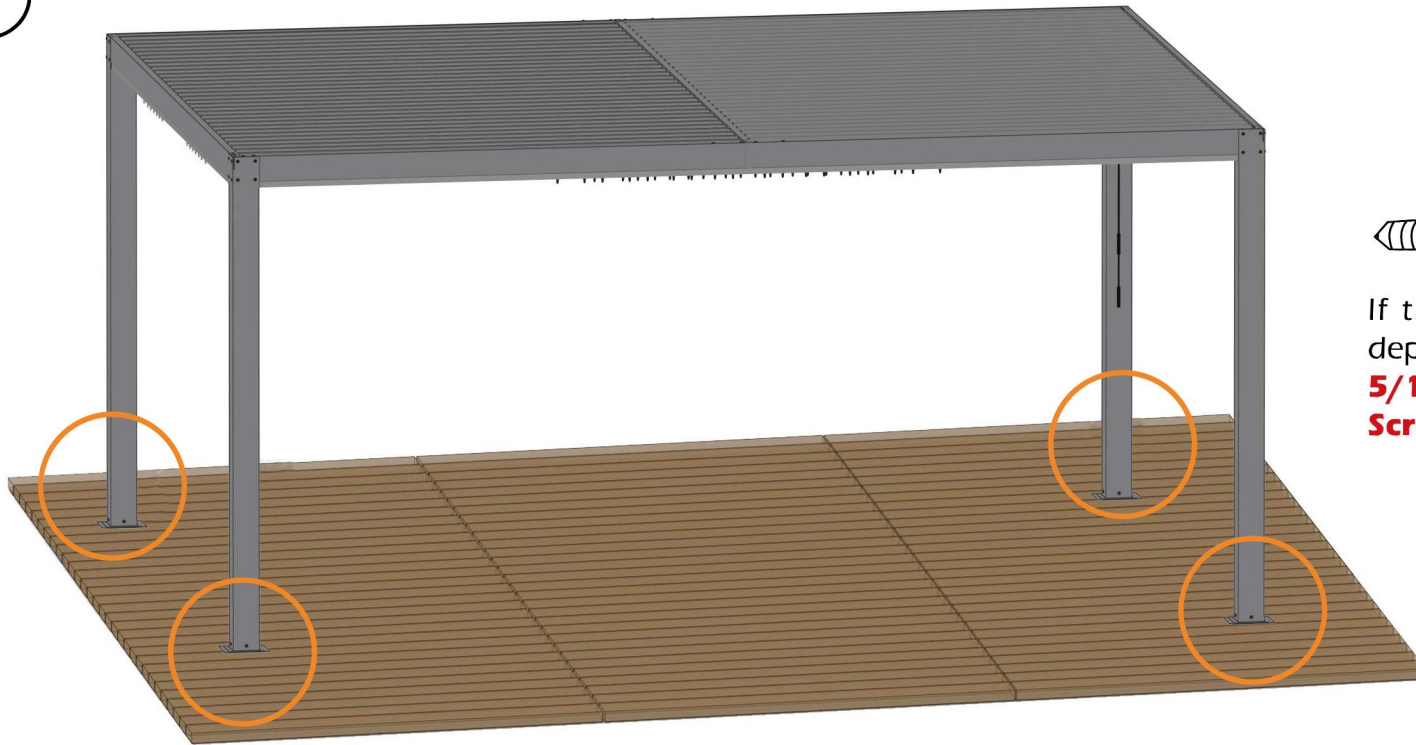


1. Two or more people are required for assembly.

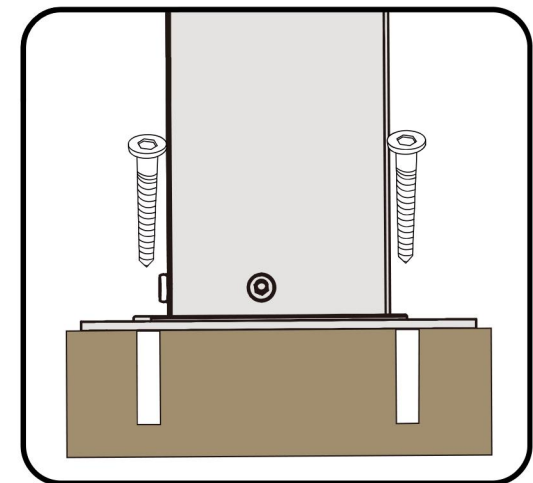
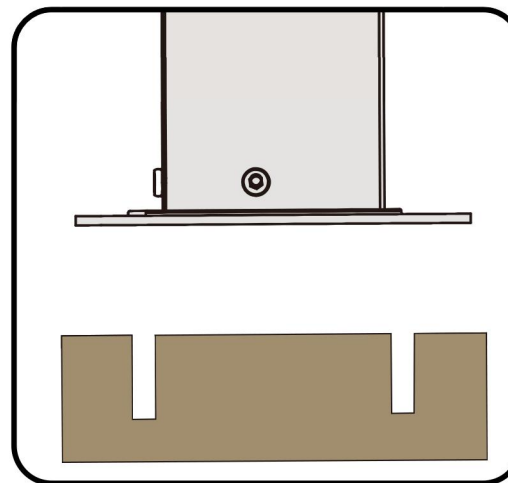


2. Do not fully tighten screws prior to complete assembly.

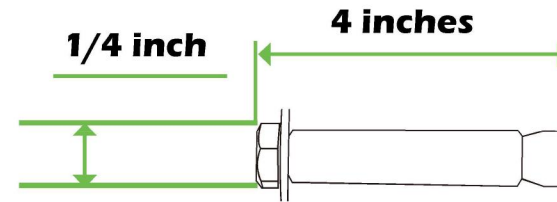
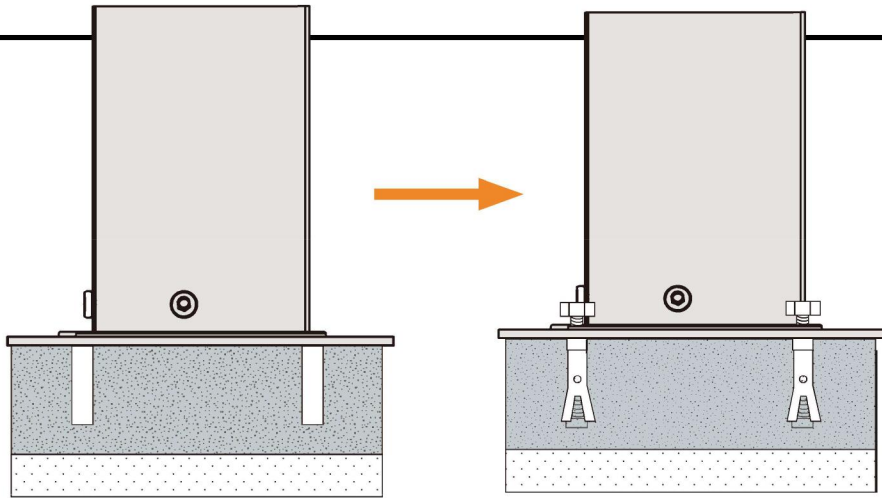
1



If the deck is hard wood and the depth of it is over 3 inch, you can use **5/16 in. x4 in. Structural Wood Screw** to mount the pergola.

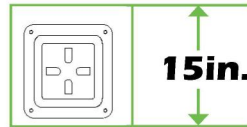
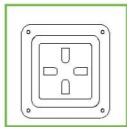


2

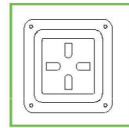
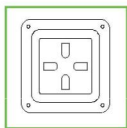


If the ground is concreted and the depth of it is over 3 inch, you can use 1/4 inch expansion bolts to mount the pergola

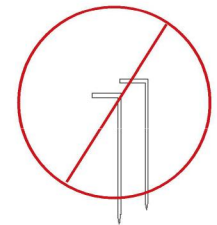
3



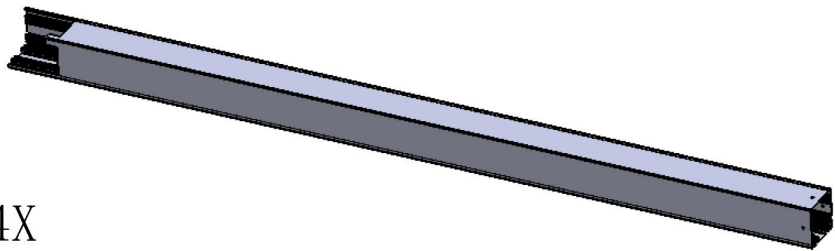
Or you can make a concrete footing for pergola, **15×15×15 inches** is recommended. use expansion bolts to mount the pergola like ② shows.



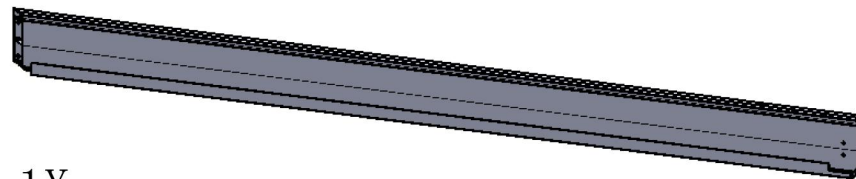
IMPORTANT:
Anchor is not recommended



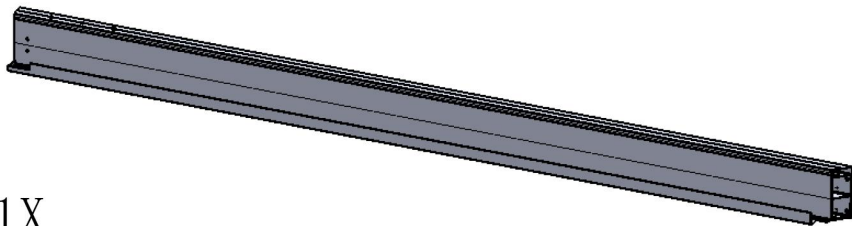
A₁ 4X



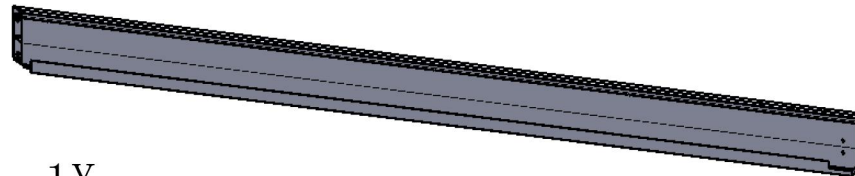
B₁ 1X



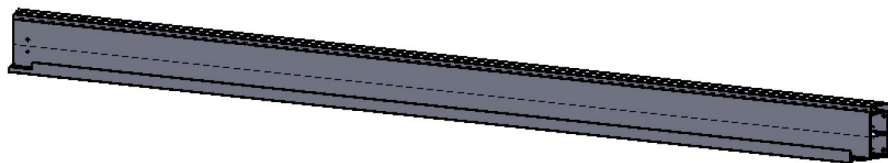
B₂ 1X



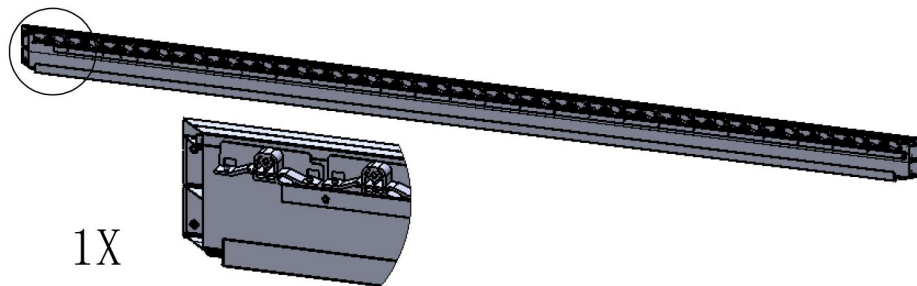
B₃ 1X



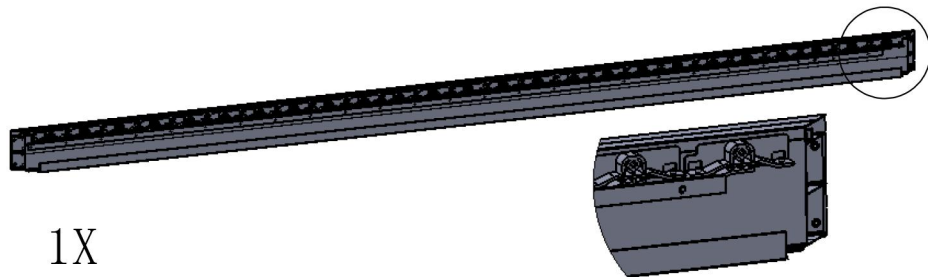
B₄ 1X



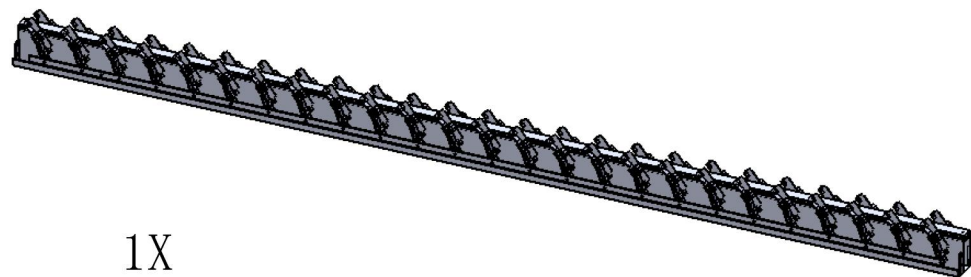
C₁ 1X



C₂ 1X



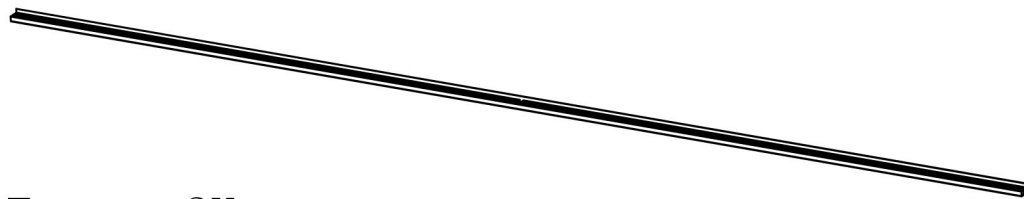
D 1X

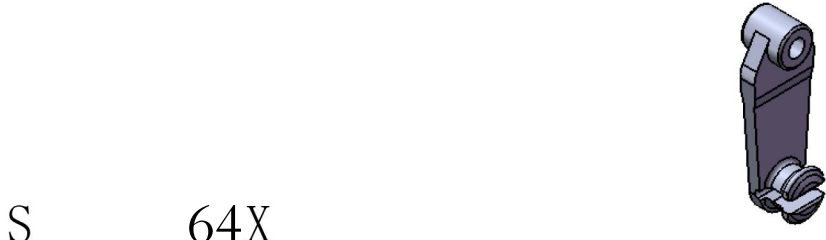
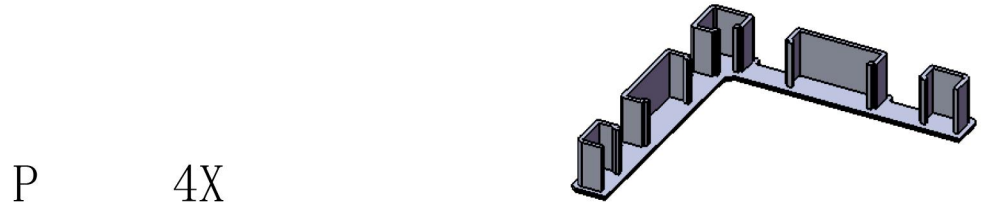
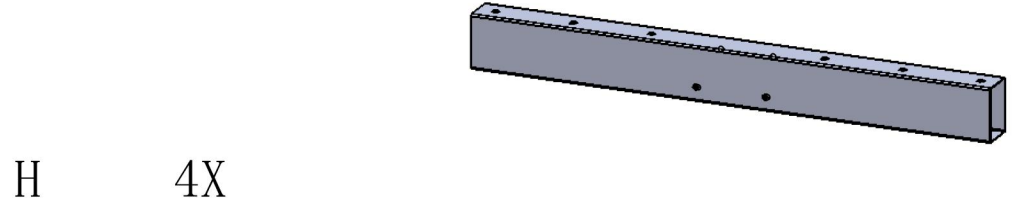
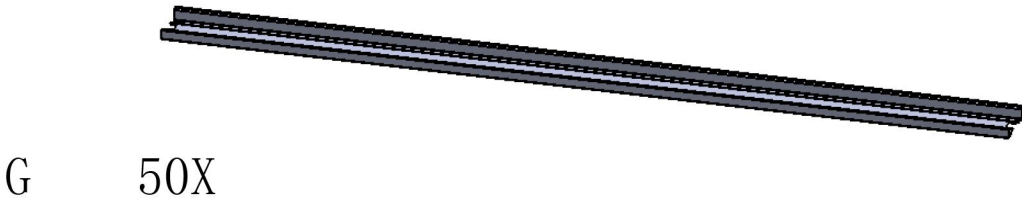
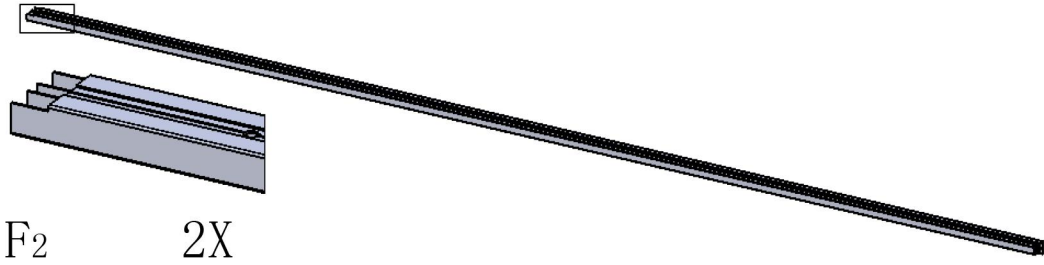


E 2X

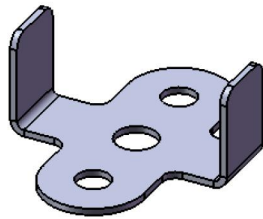


F₁ 2X

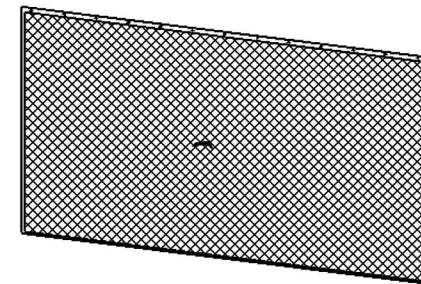




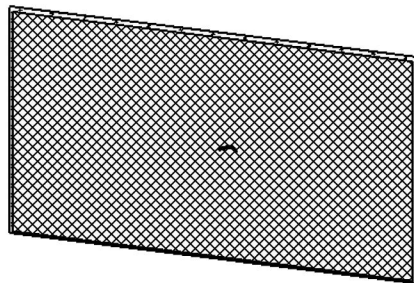
T 4X



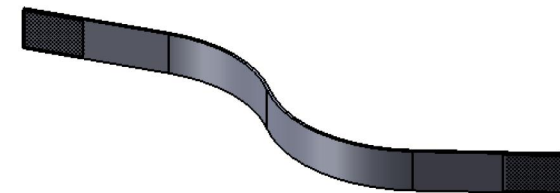
V₁ 2X



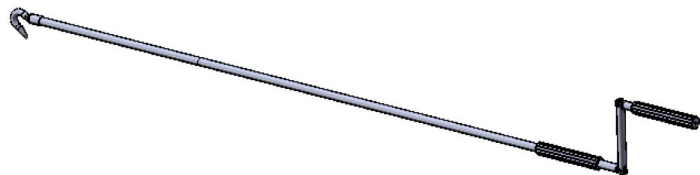
V₂ 2X



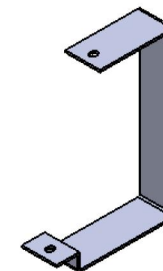
W 4X



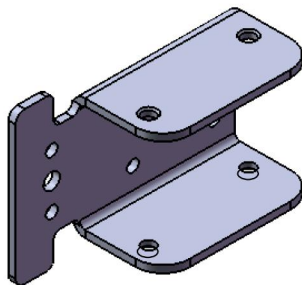
X 1X

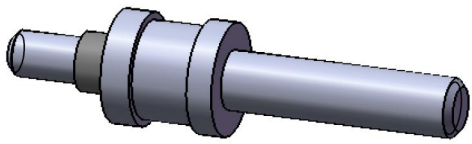


Y 2X



Z 1X





1# 2X



ST4. 2*16

2# 12X



ST3. 5*19

3# 200X



M5*16

4# 8X



M5*18

5# 10X



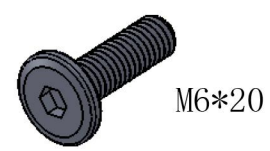
M5*30

6# 32X



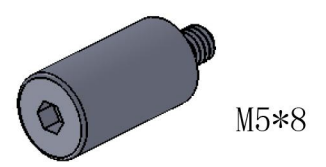
M6*16

7# 30X



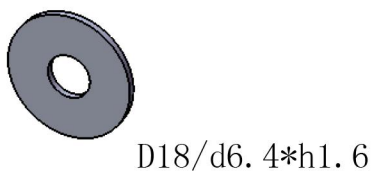
M6*20

8# 32X



M5*8

9# 12X



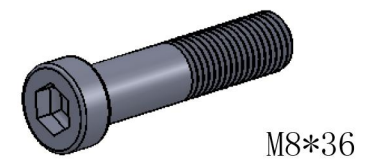
D18/d6. 4*h1.6

10# 2X



M6

11# 2X



M8*36

12# 4X



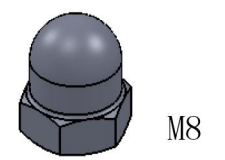
M8

13# 6X



M8

14# 2X

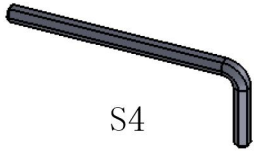


M8

15# 4X

16#

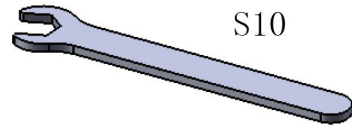
1X



S4

17#

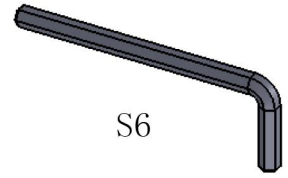
1X



S10

18#

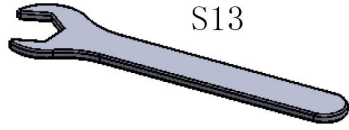
1X



S6

19#

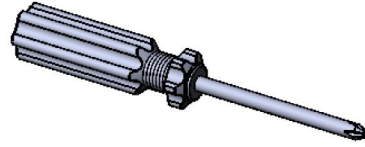
1X



S13

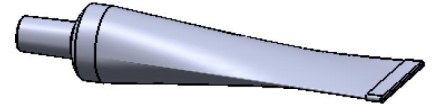
20#

1X



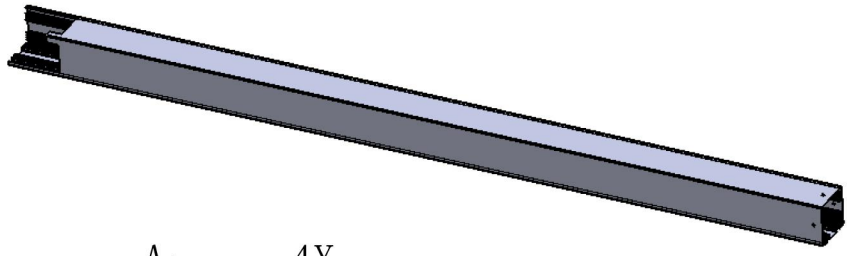
21#

1X

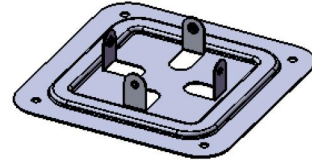


STEP 1

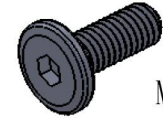




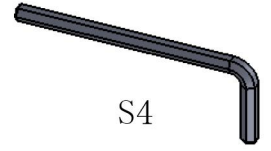
A₁ 4X



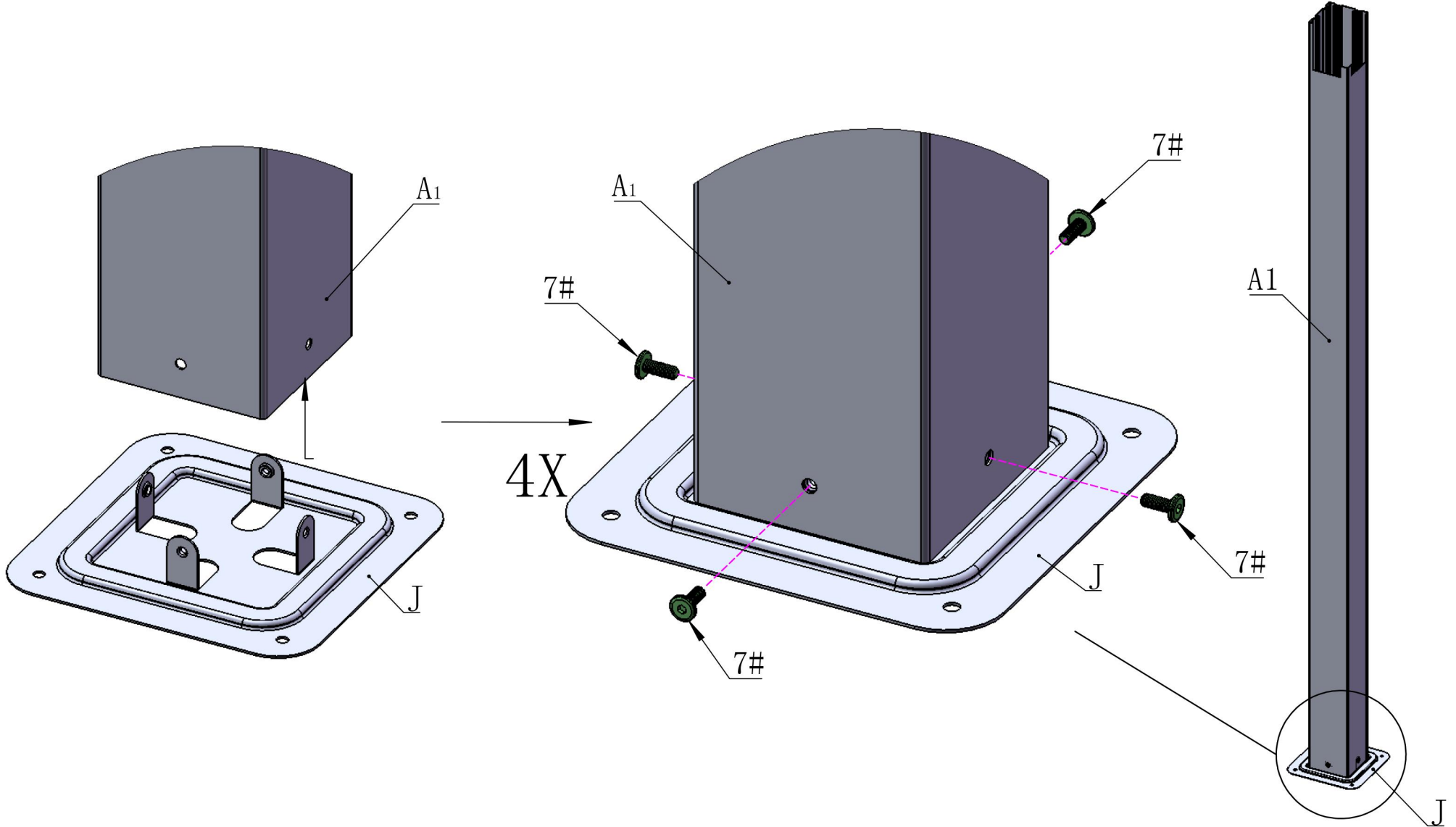
J 4X

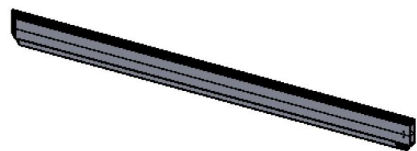


M6*16
7# 16X

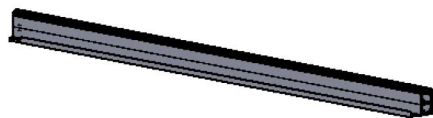


S4
16# 1X

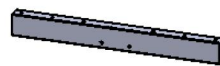




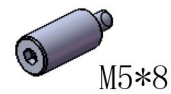
B1 1X



B2 1X



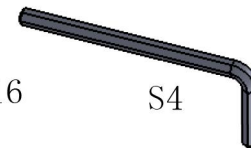
H 2X



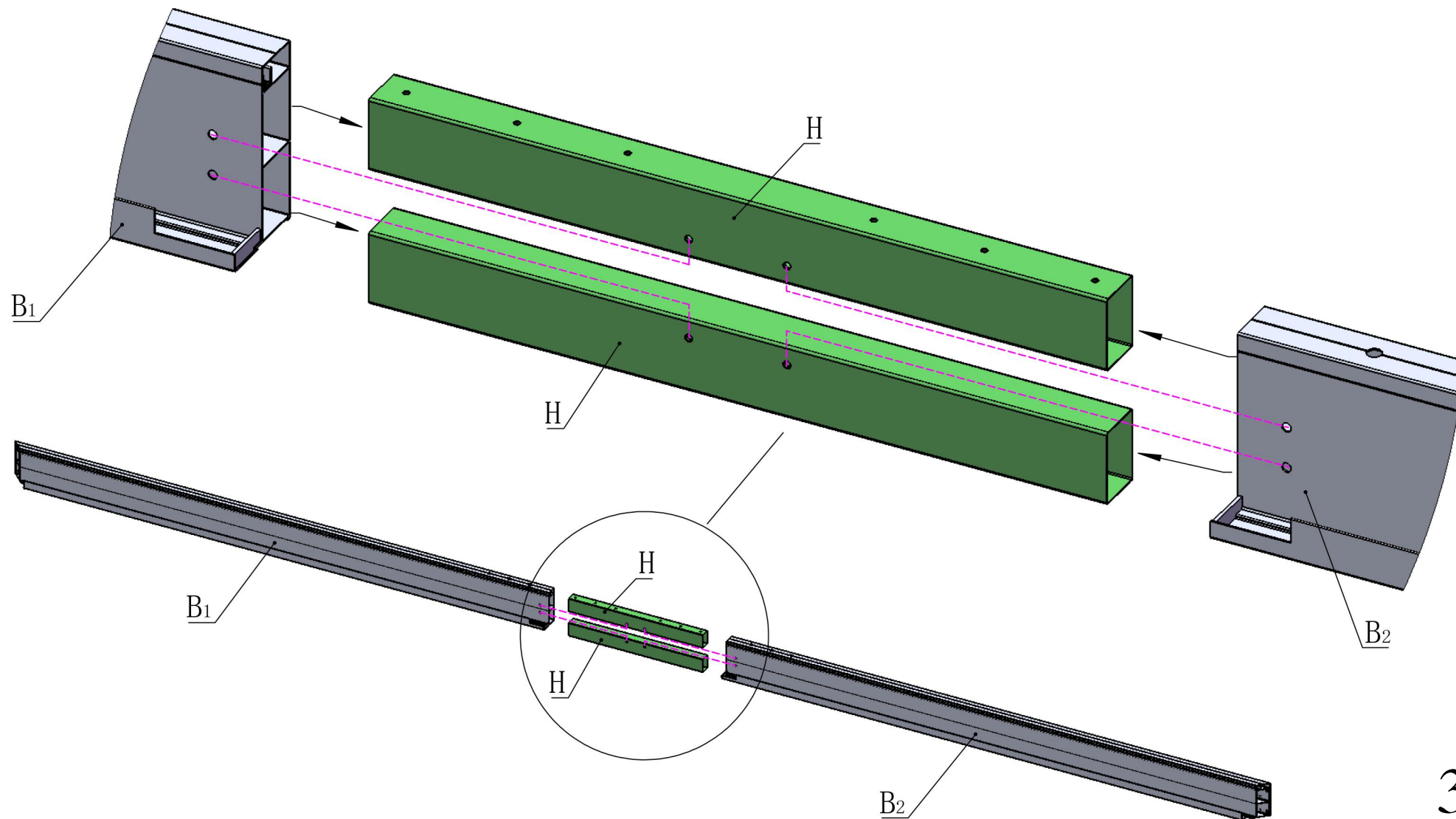
9# 6X

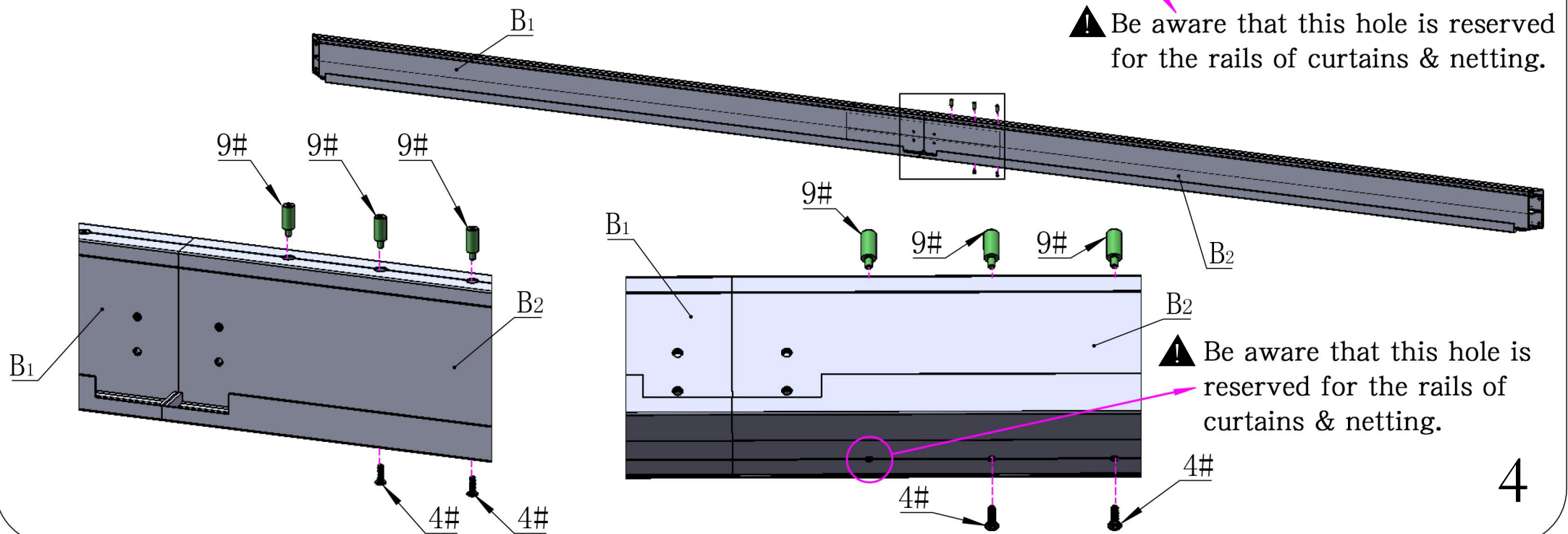
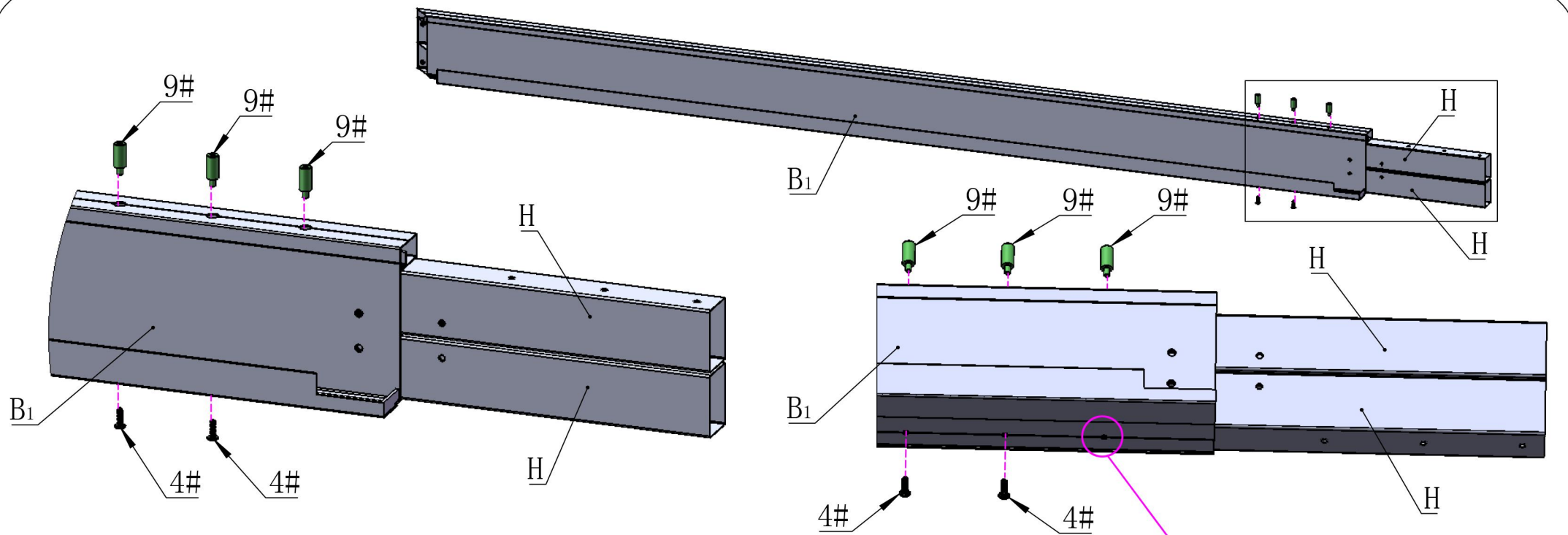


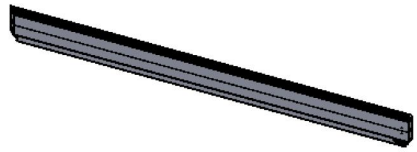
4# 4X



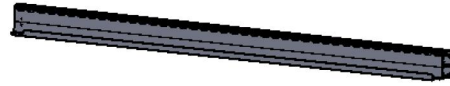
16# 1X



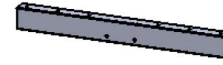




B₃ 1X



B₄ 1X



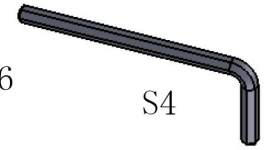
H 2X



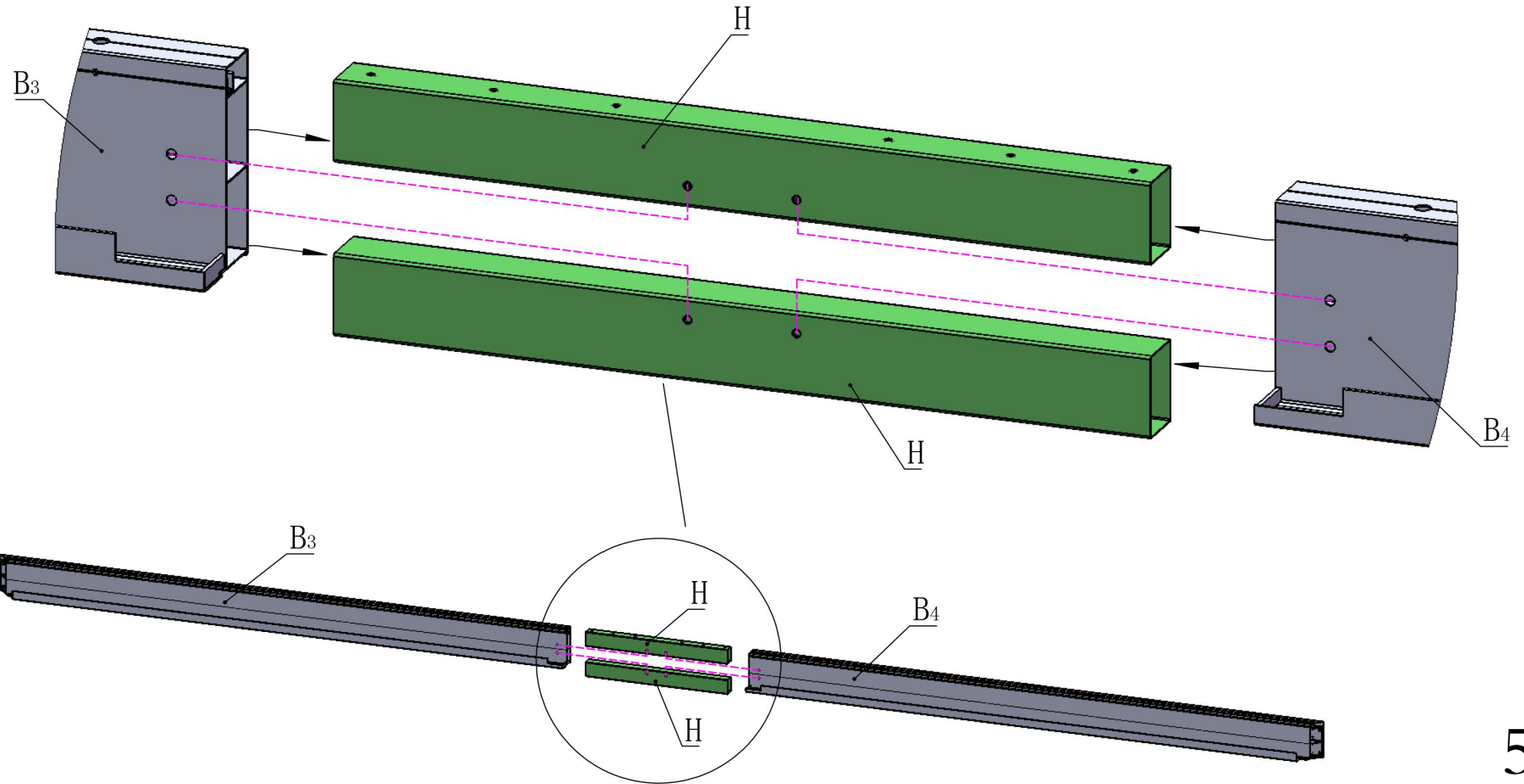
9# 6X

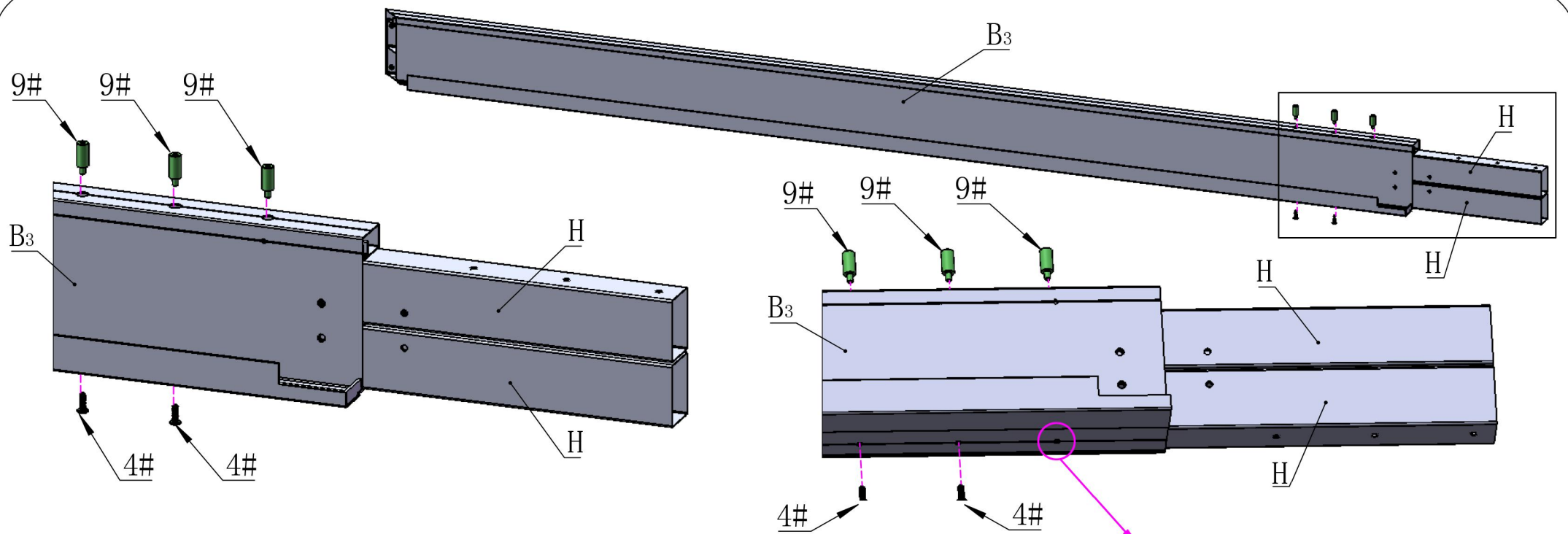


4# 4X

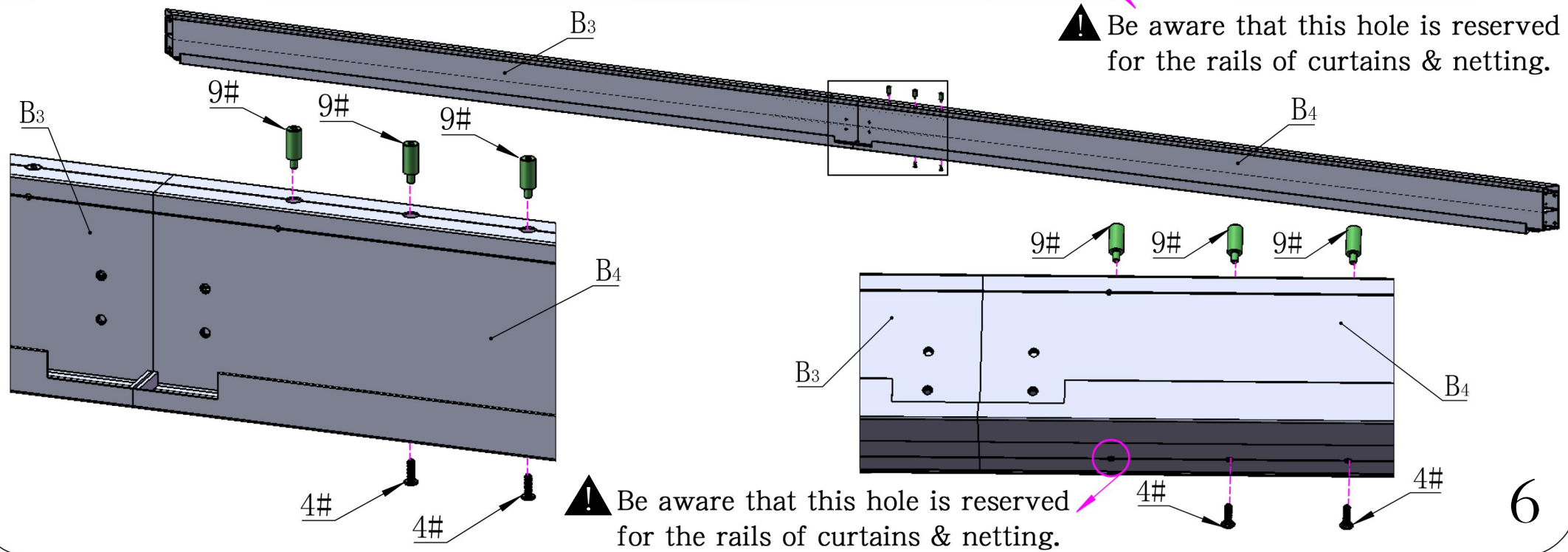


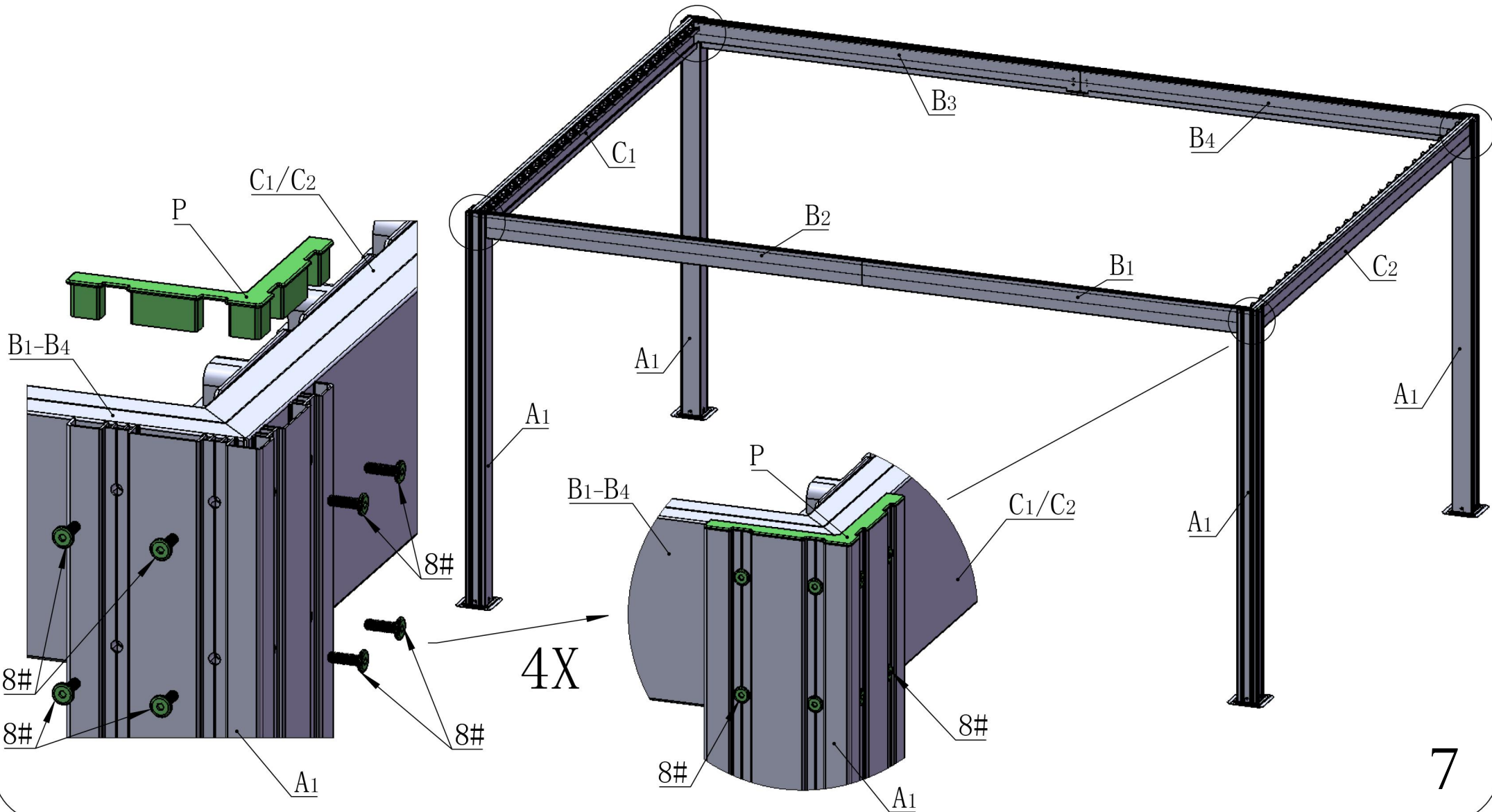
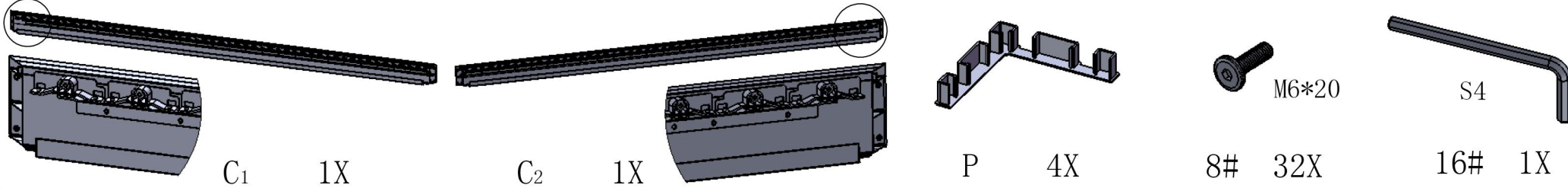
16# 1X





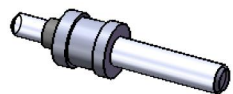
⚠ Be aware that this hole is reserved for the rails of curtains & netting.



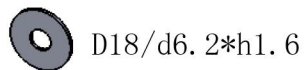




D 1X



1# 2X



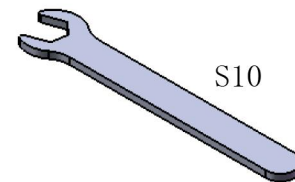
D18/d6. 2*h1.6

10# 2X



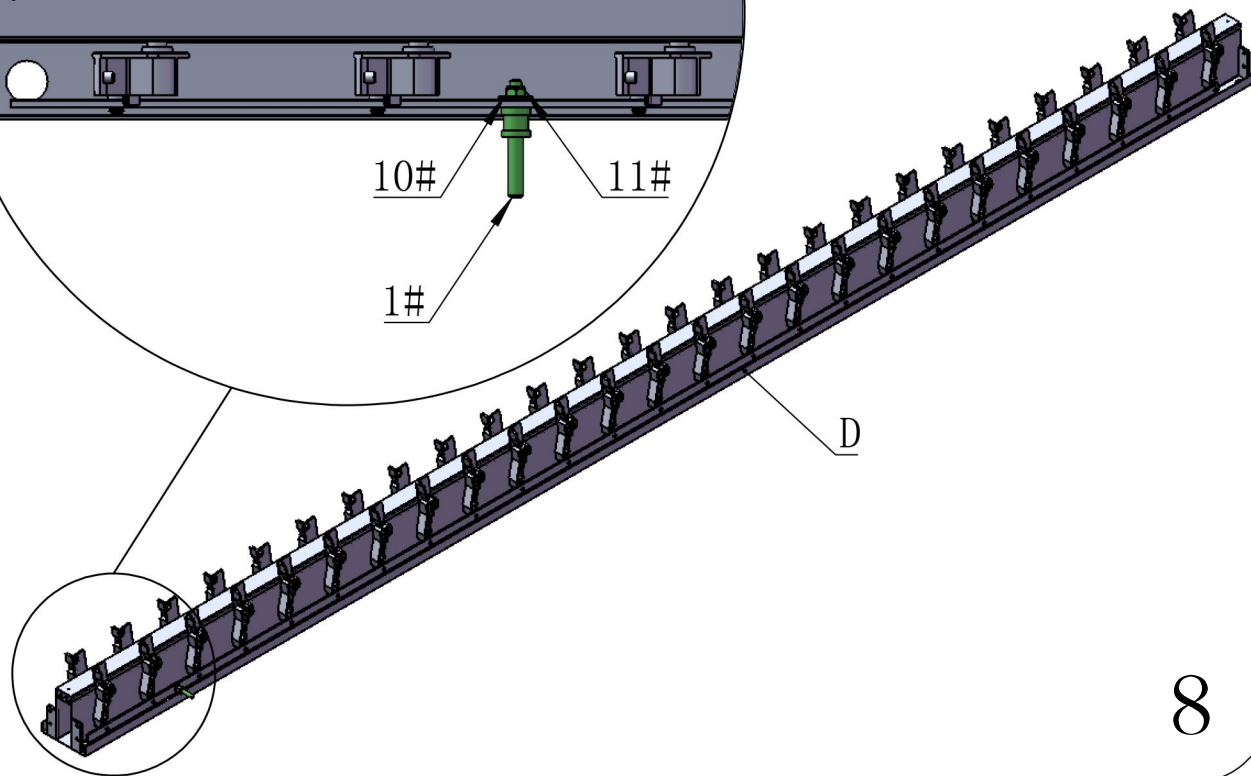
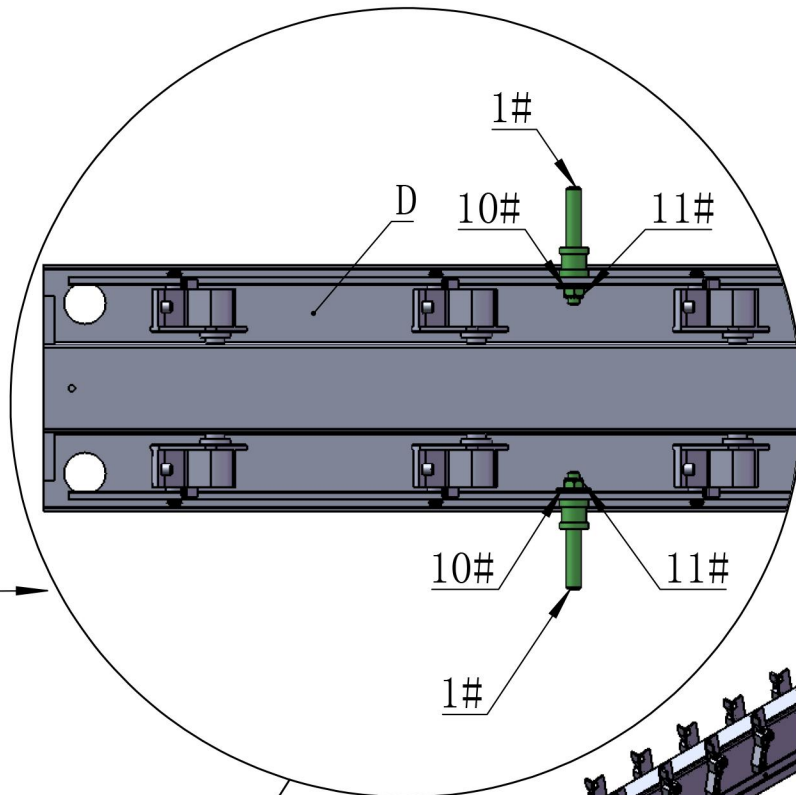
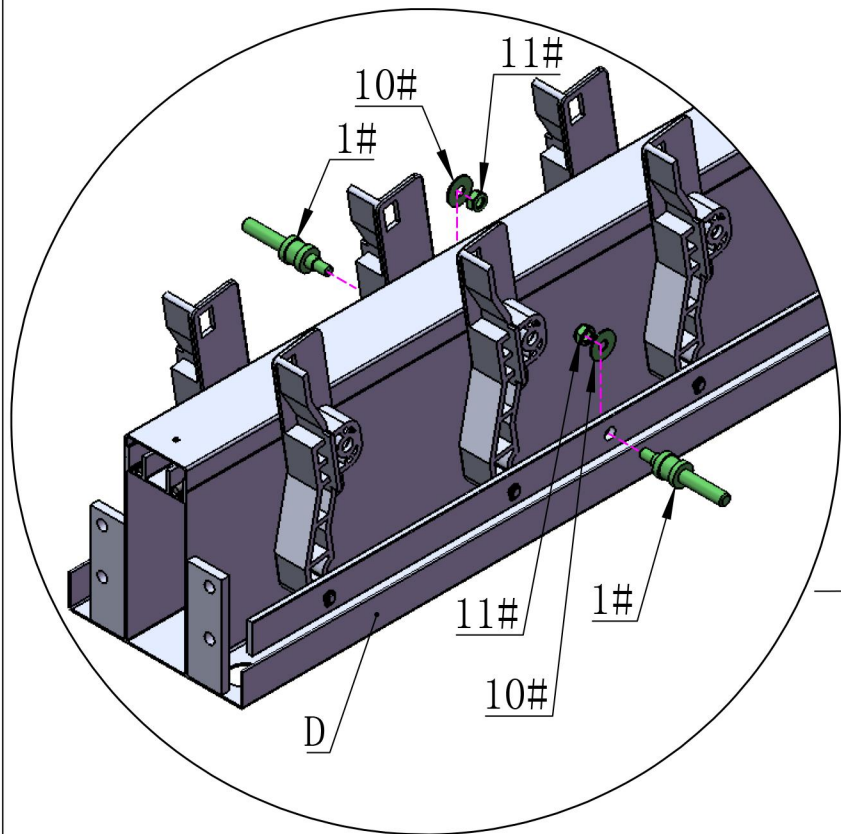
M6

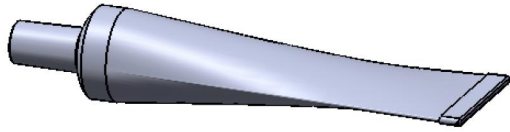
11# 2X



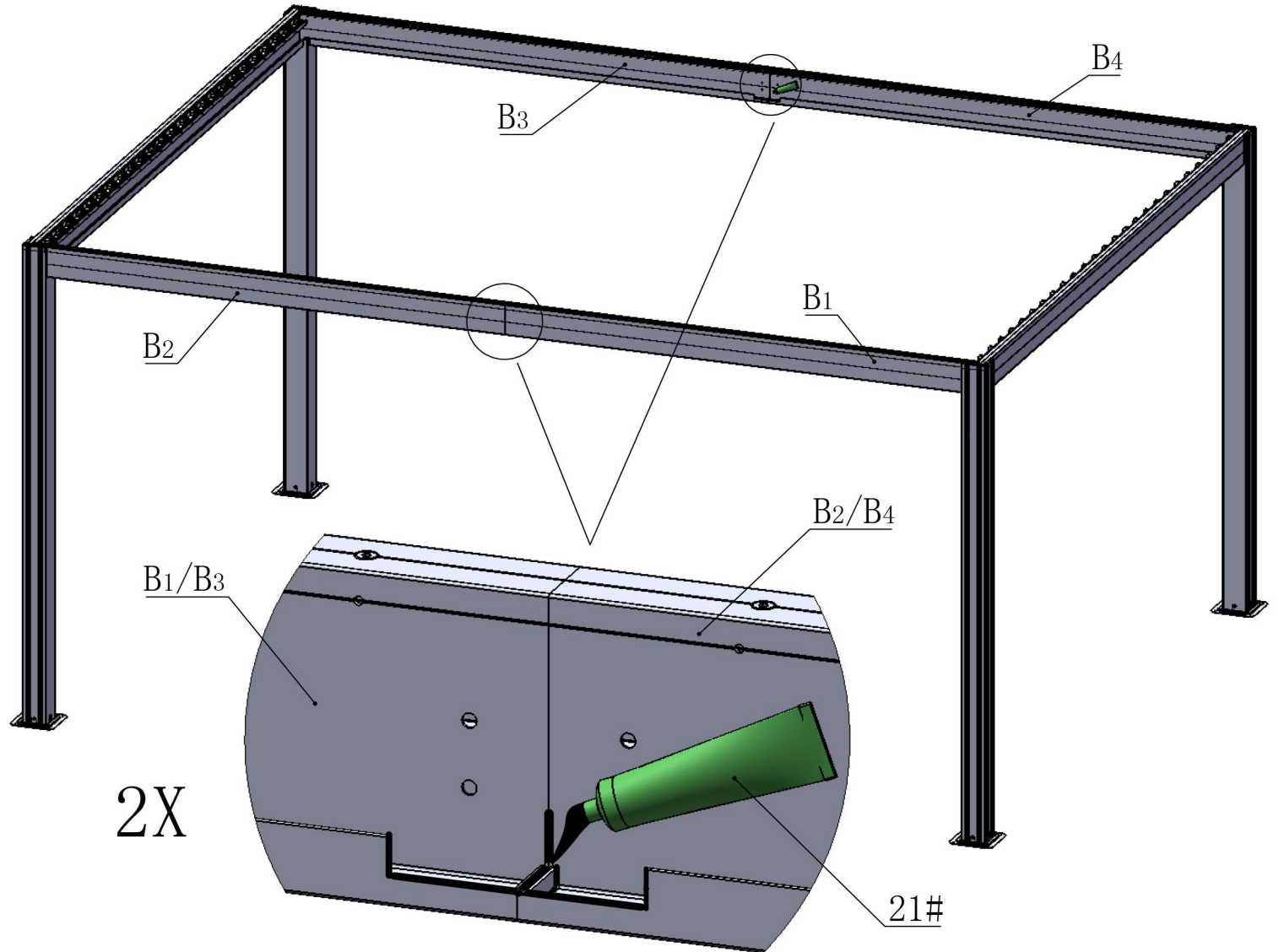
S10

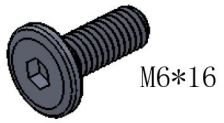
17# 1X



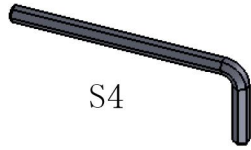


21# 1X

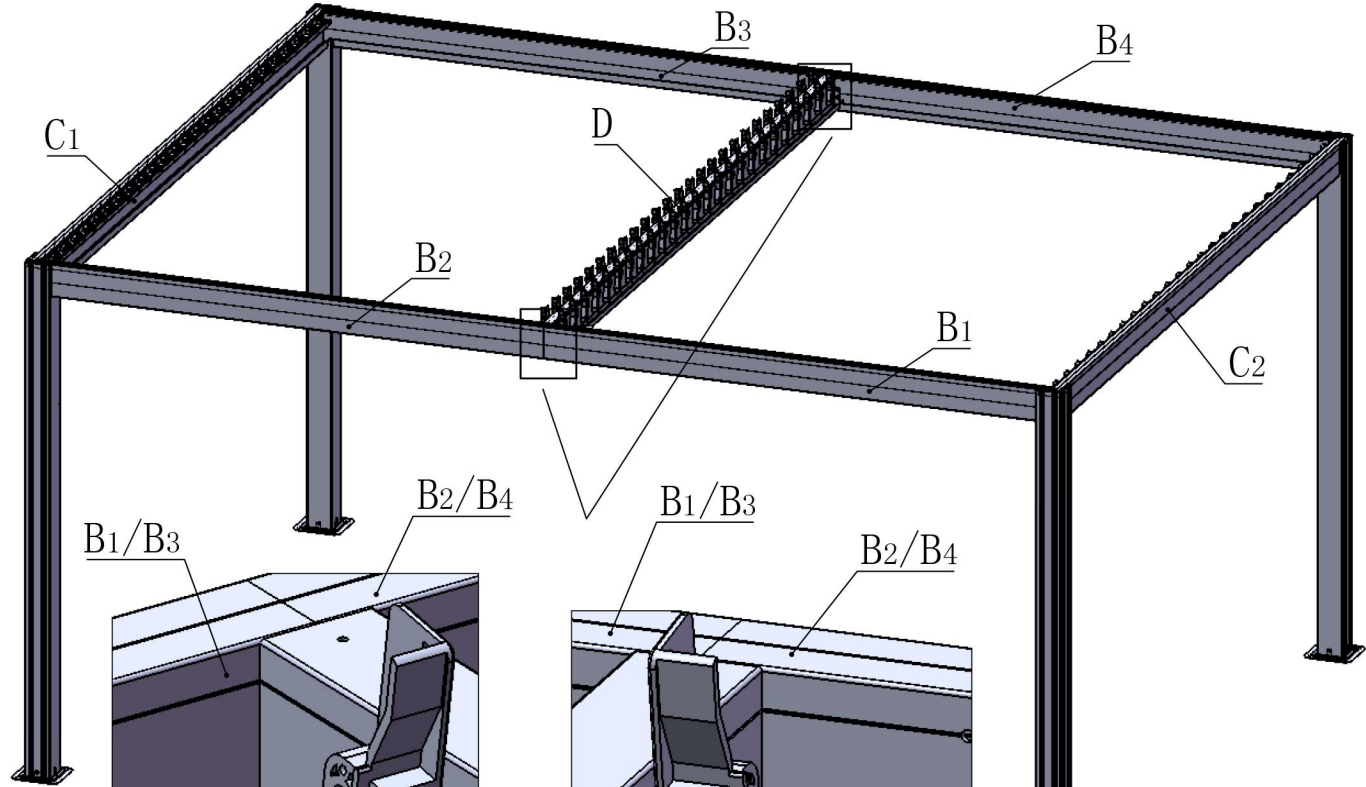
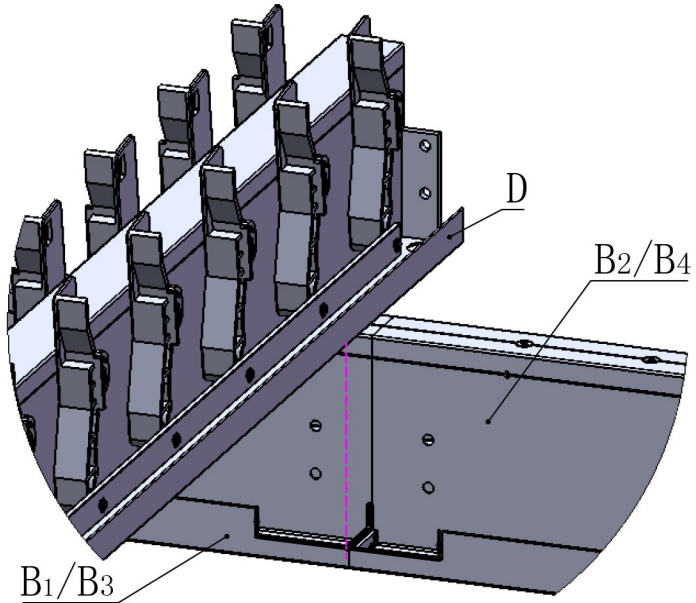




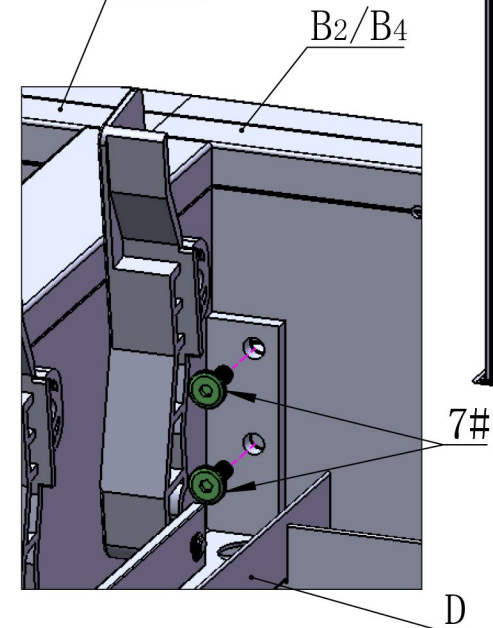
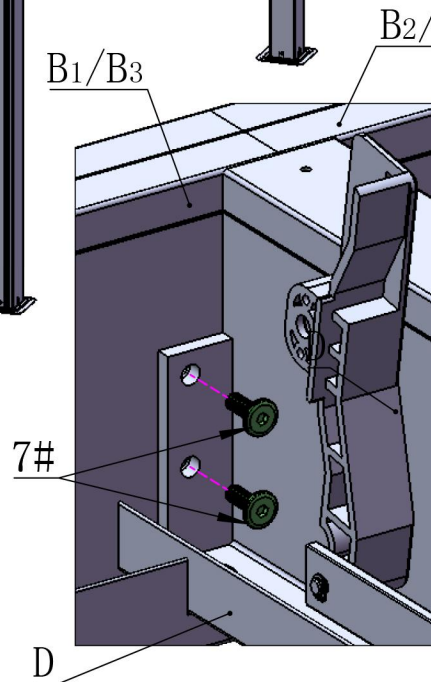
7# 8X

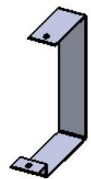


16# 1X



! Repeat the above procedures to assemble another side.



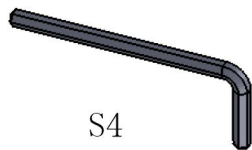


Y 2X



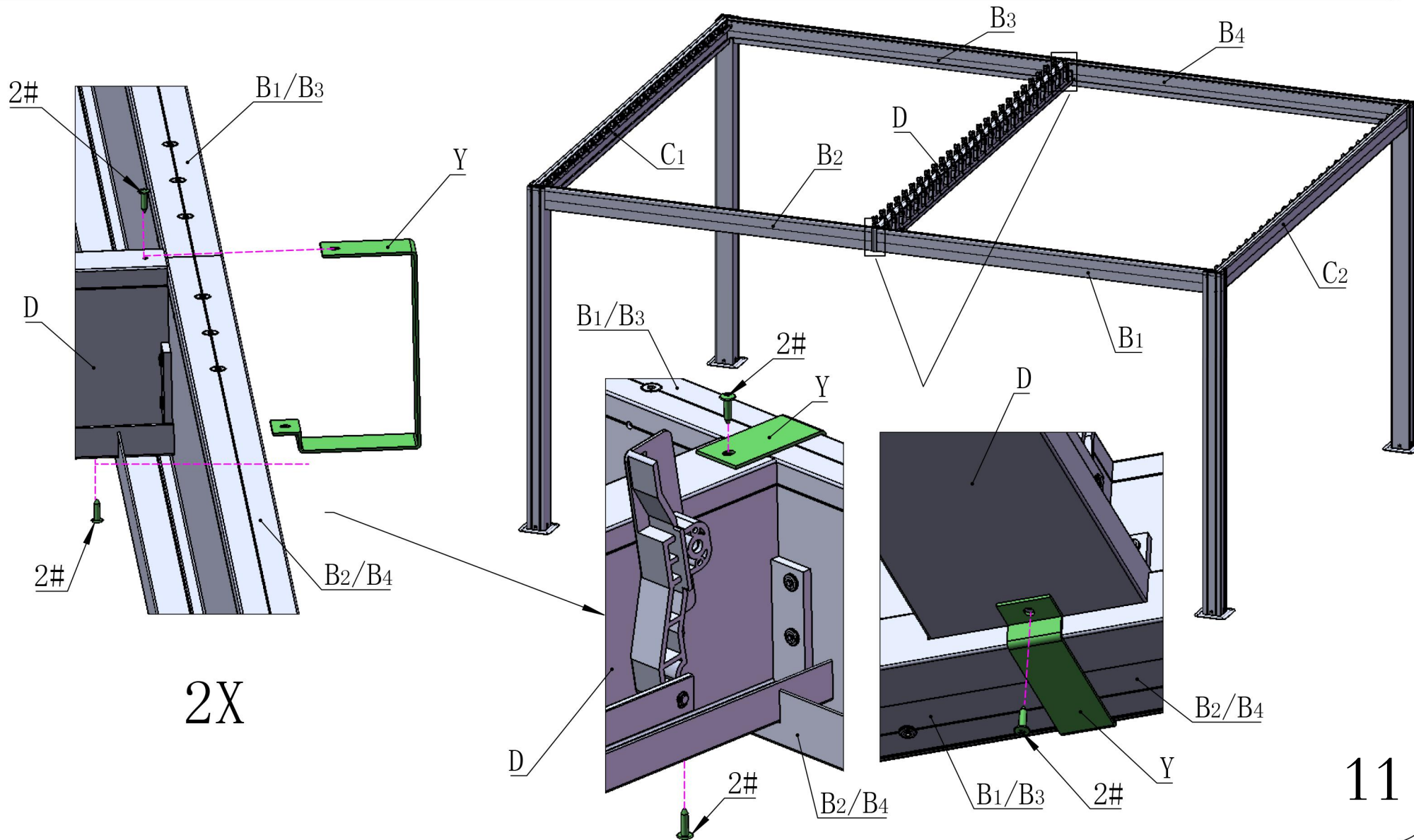
St4. 2*16

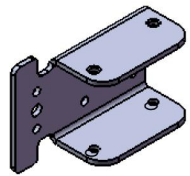
2# 4X



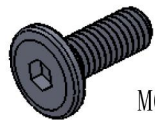
S4

16# 1X



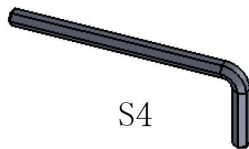


Z 1X



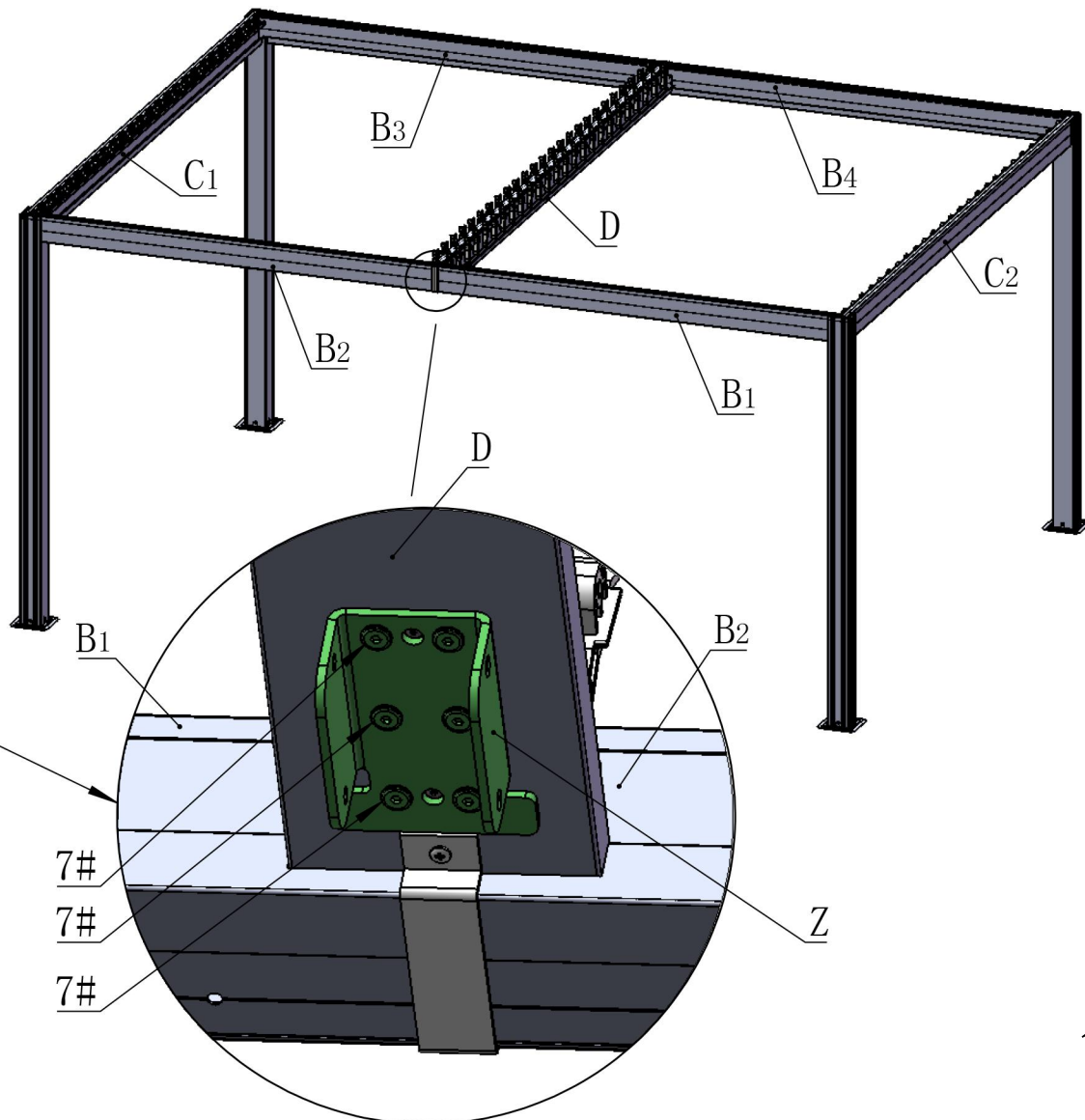
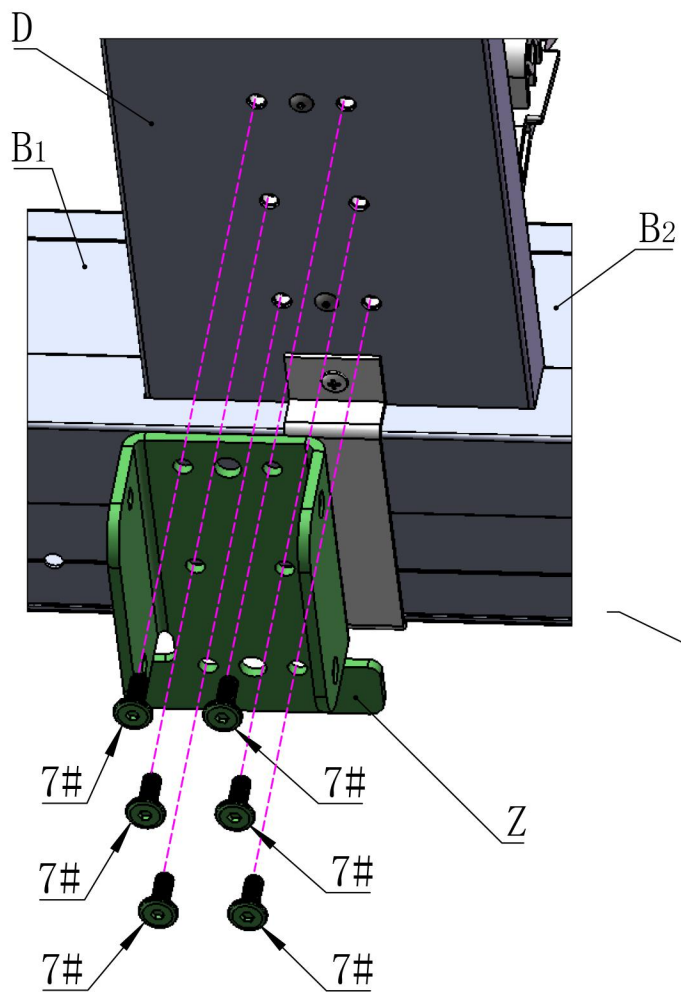
7# 6X

M6*16



16# 1X

S4



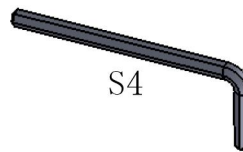


E 2X



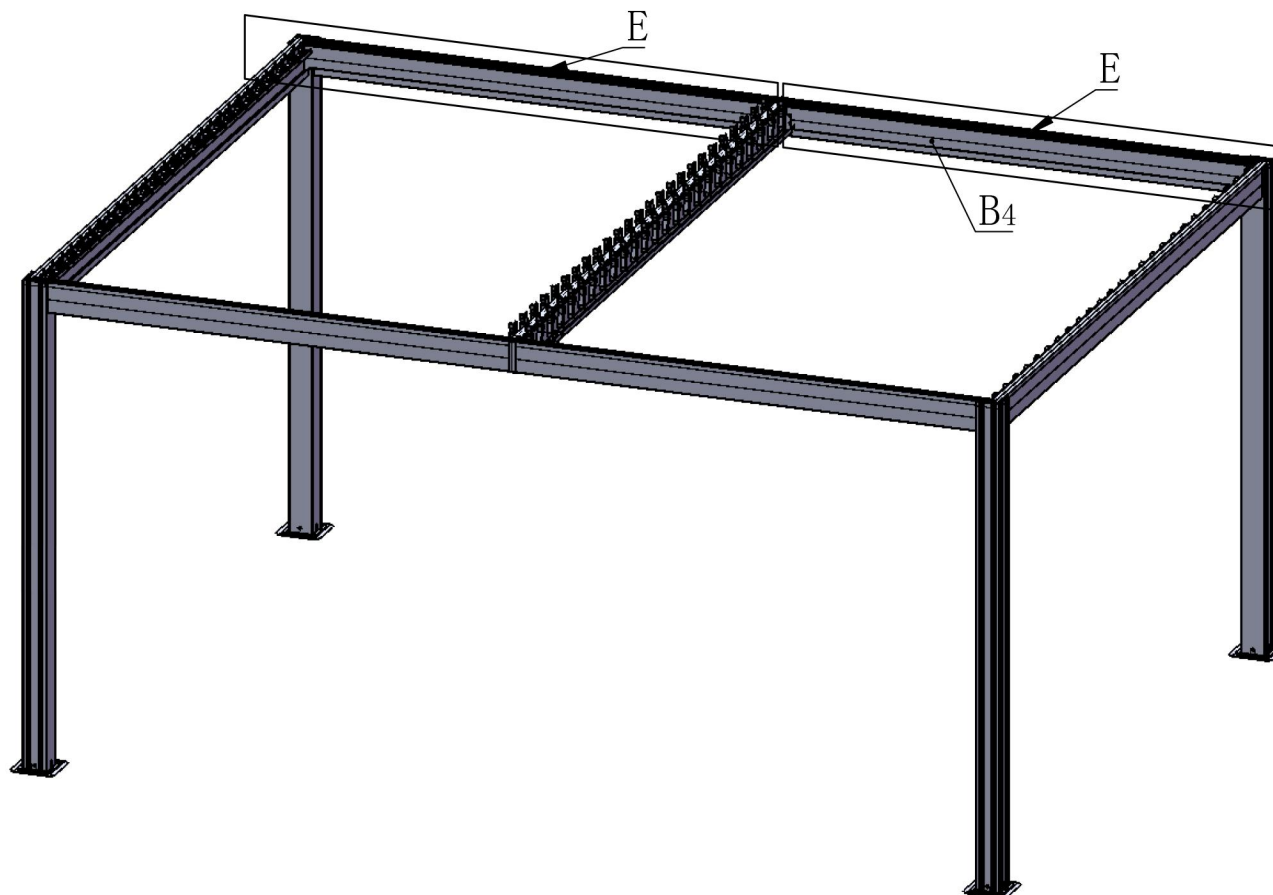
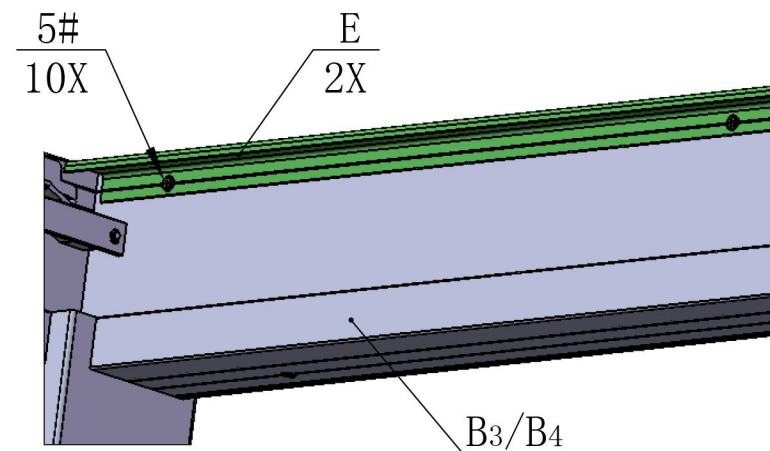
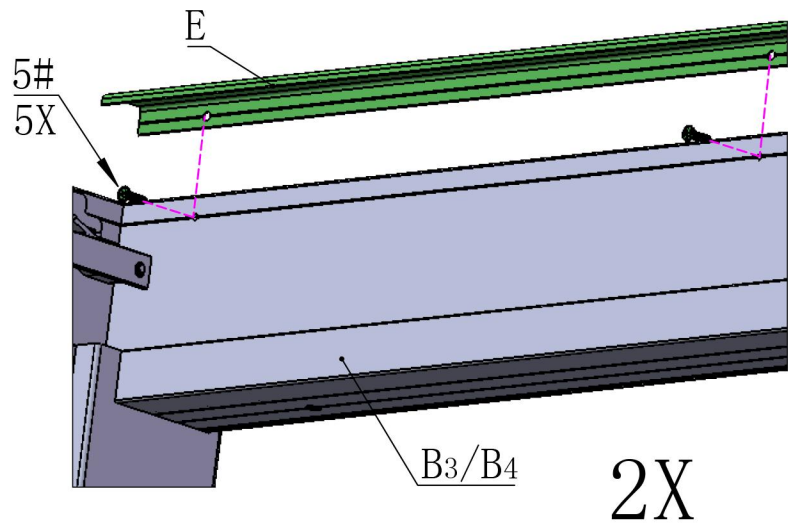
M5*18

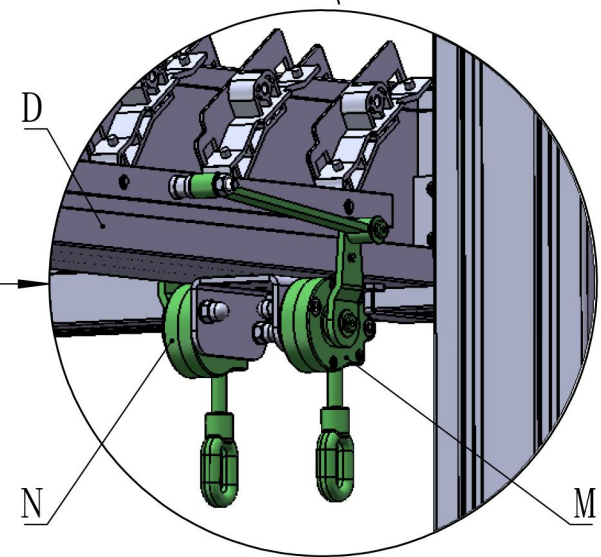
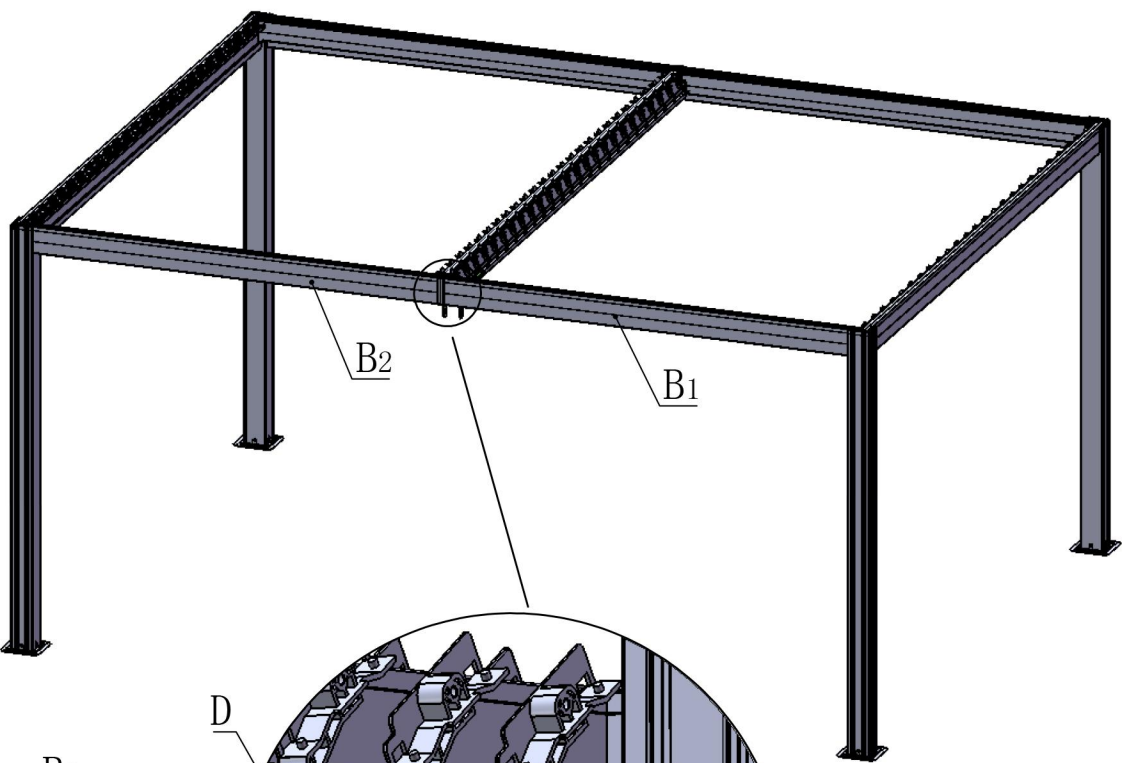
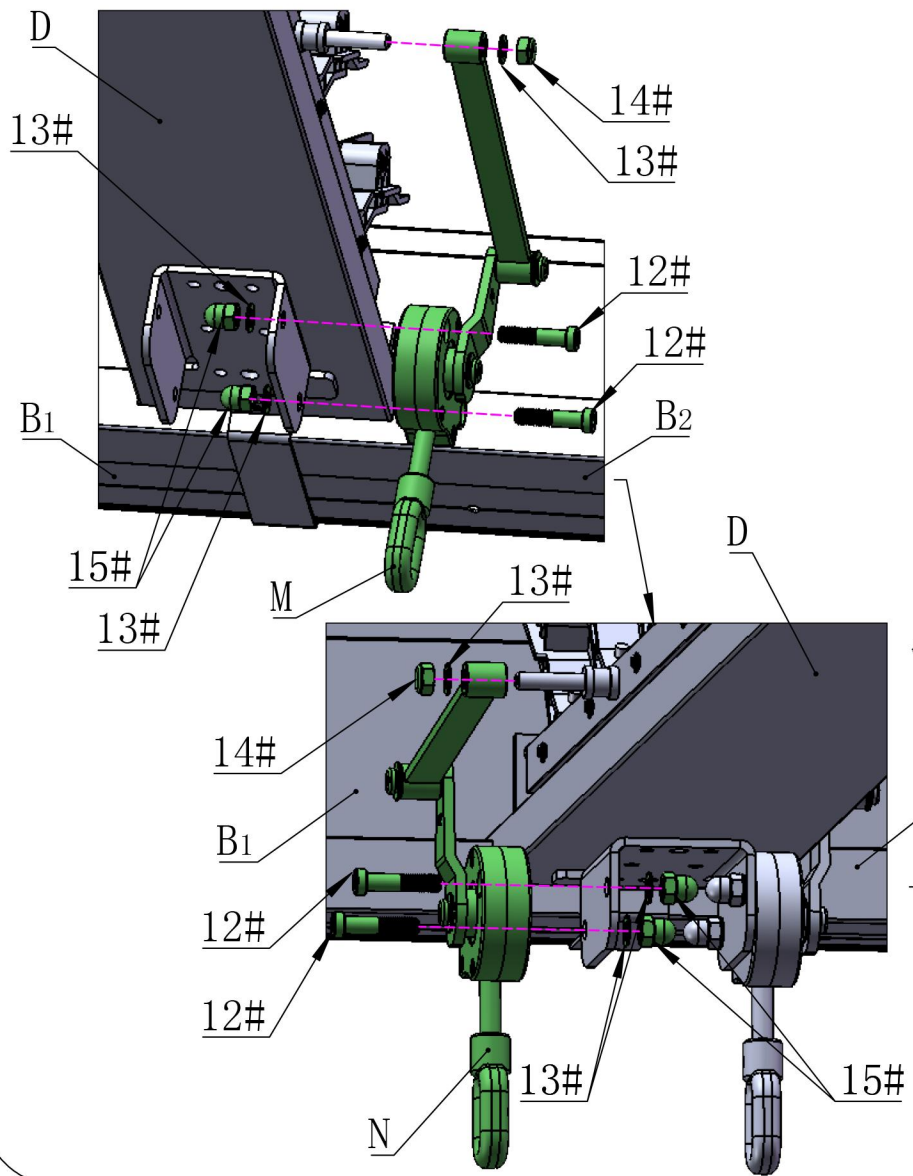
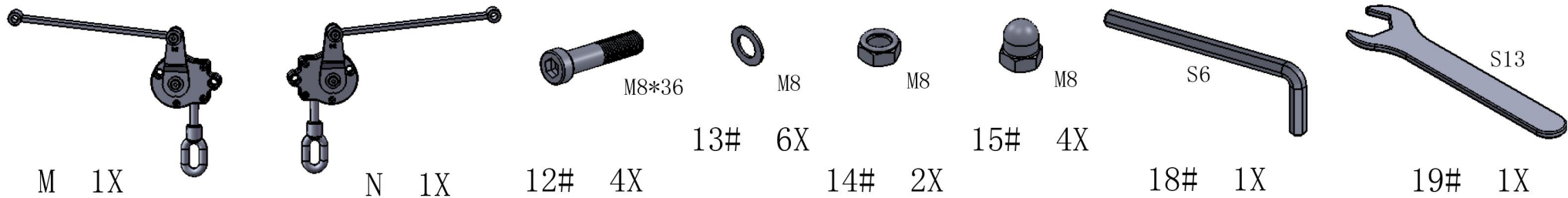
5# 10X



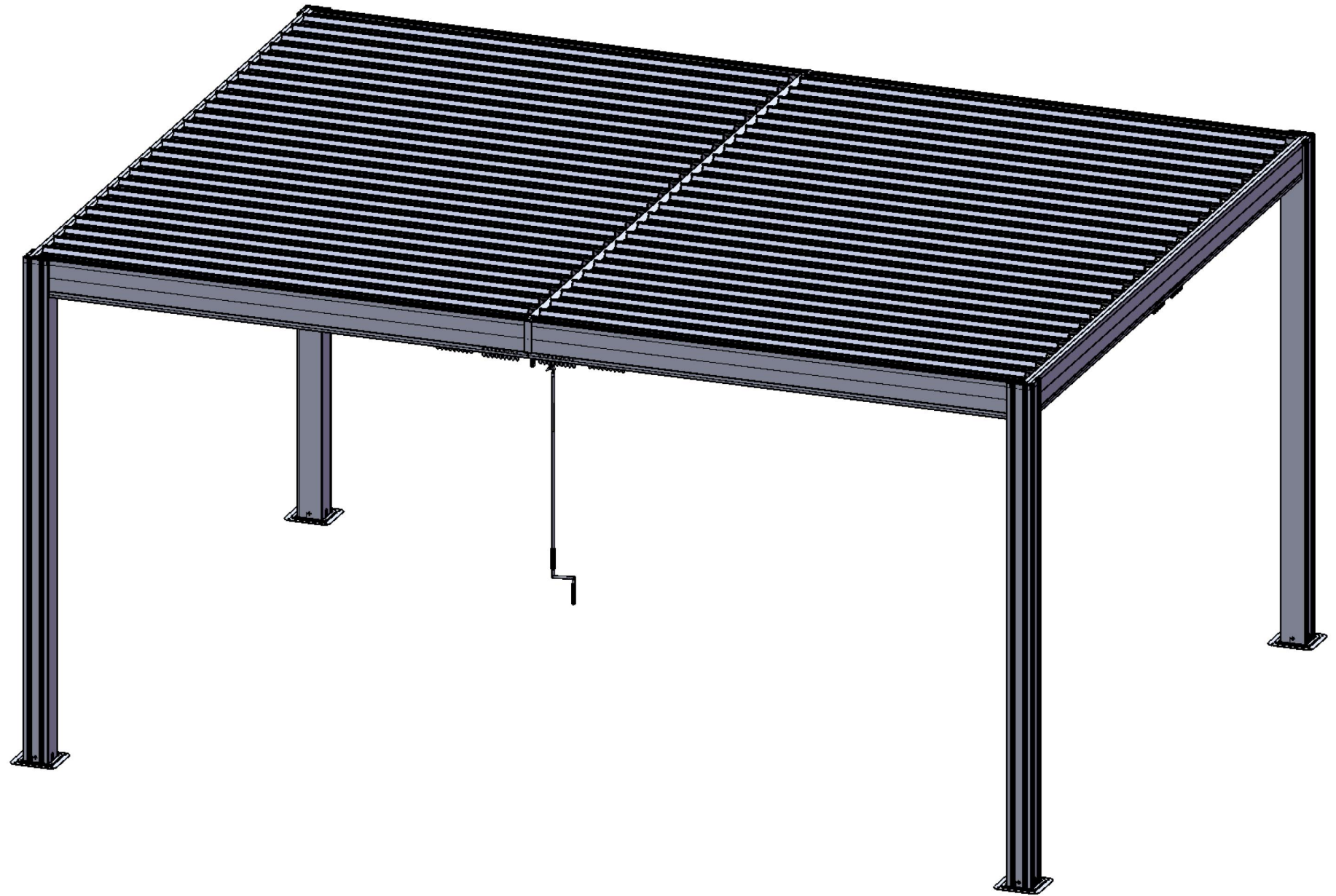
S4

16# 1X





STEP 2

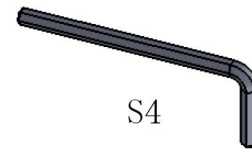




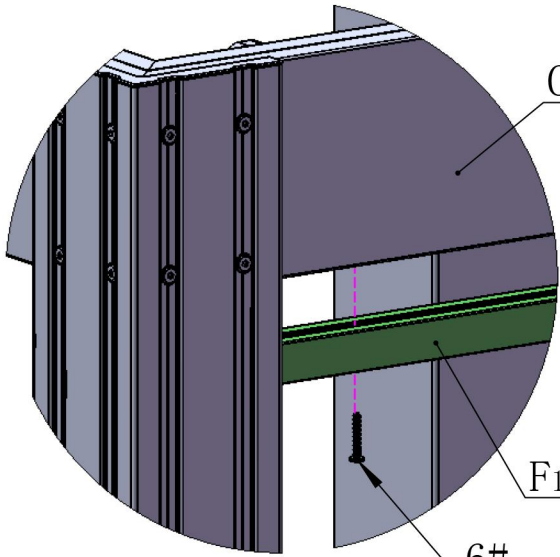
F1 2X



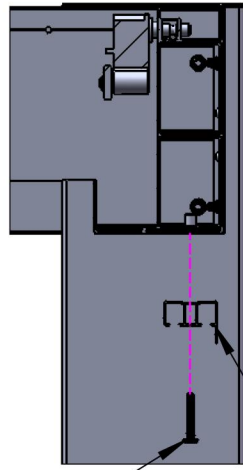
M5X30
6# 12X



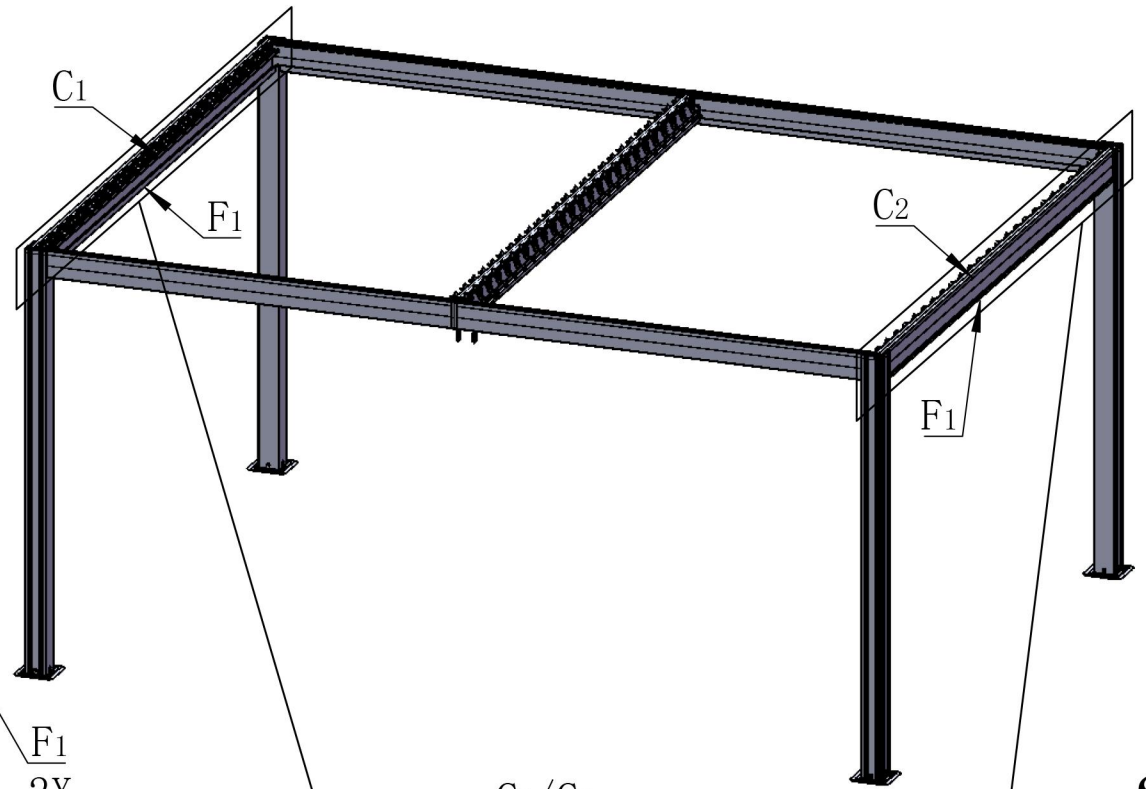
S4
16# 1X



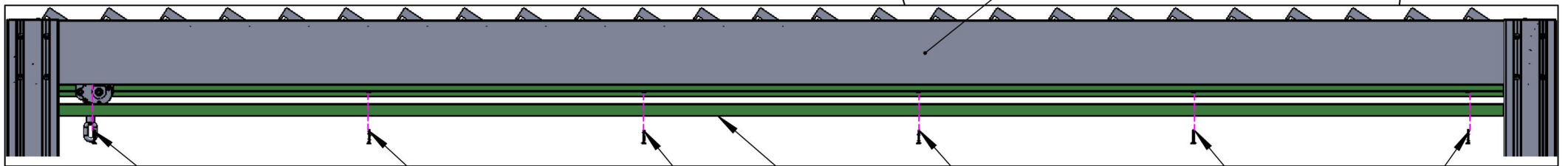
C2
F1
6#



6#
12X

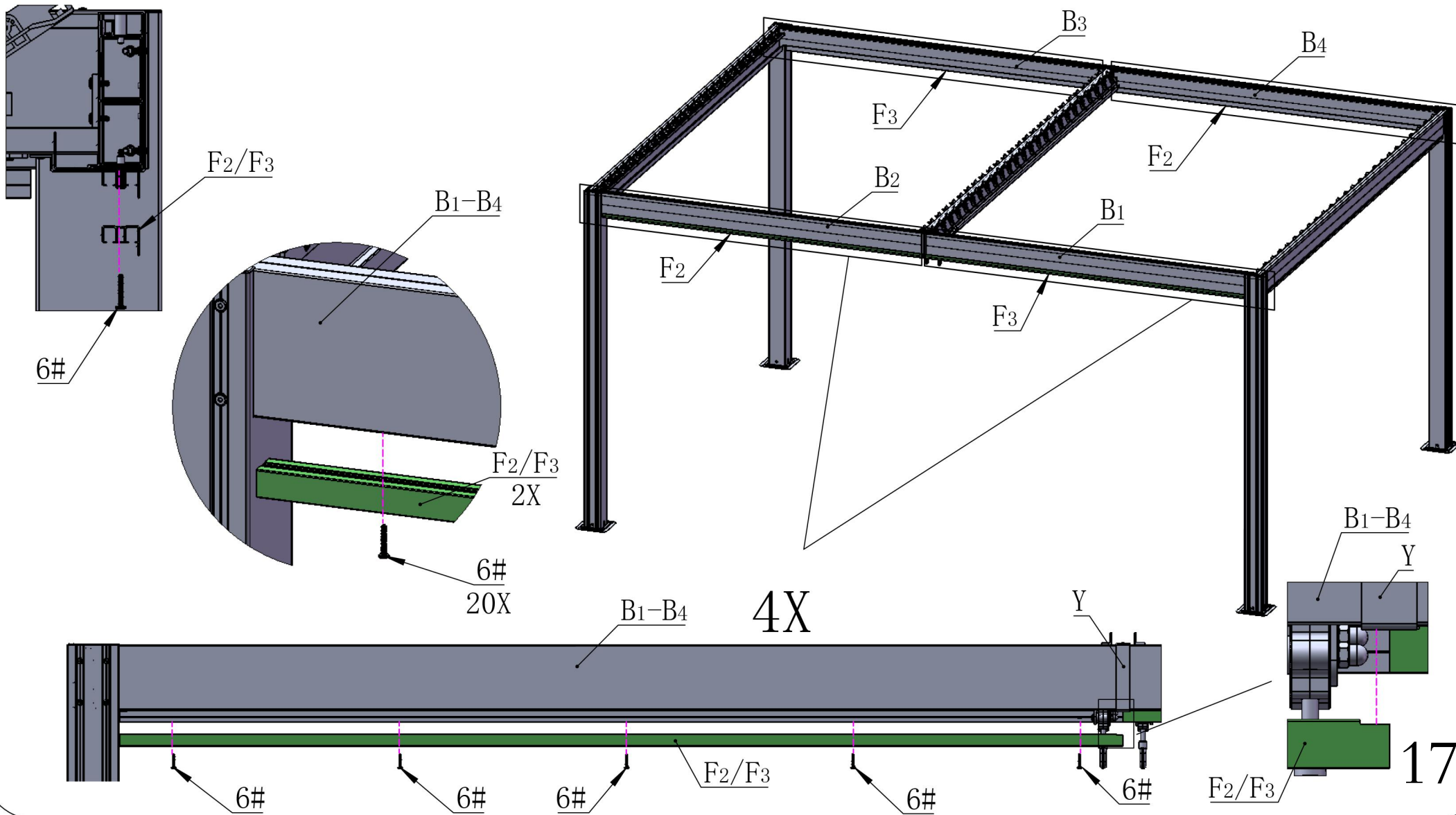
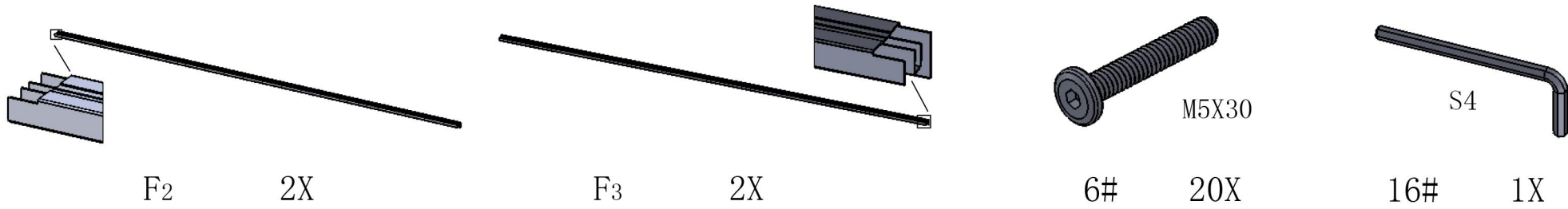


C1
F1
C2
F1
F1
2X



6# 6# 6# F1 6# 6# 6#
C1/C2
16# 2X

16

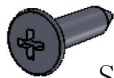




S 28X

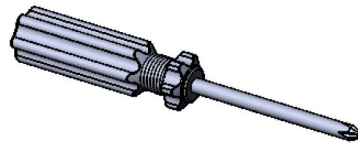


T 2X

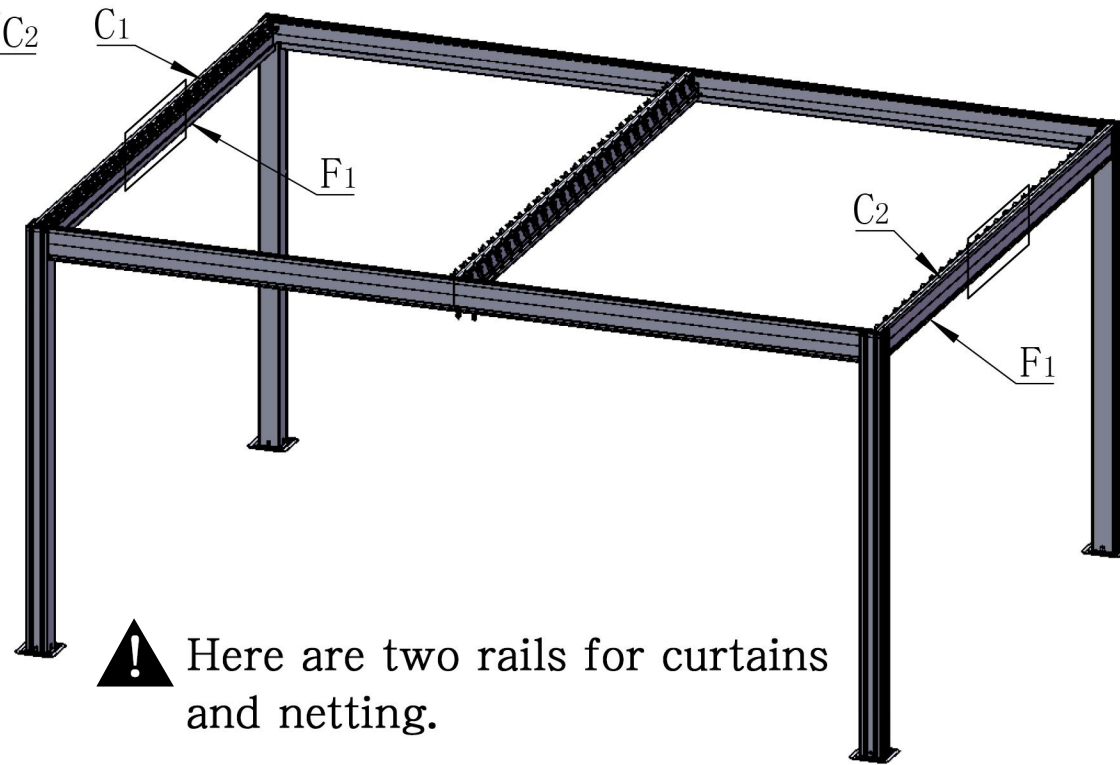
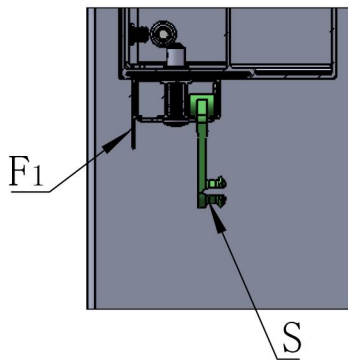
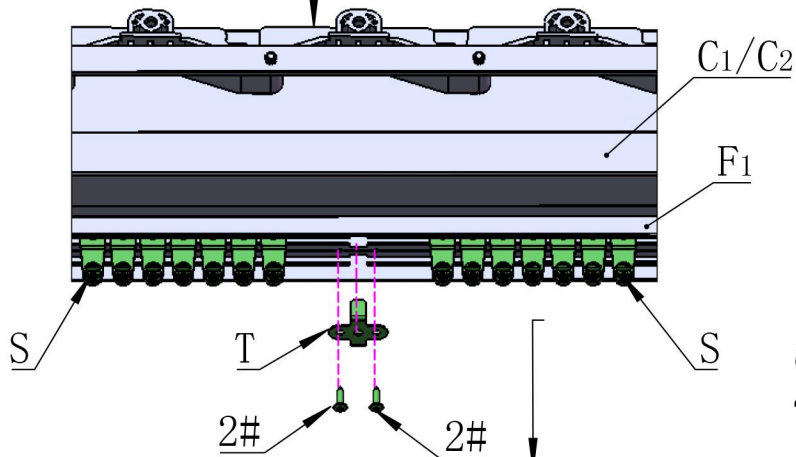
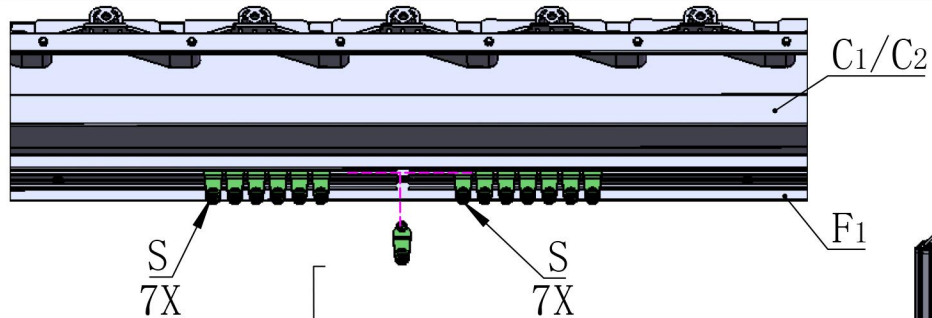


ST4. 2*16

2# 4X



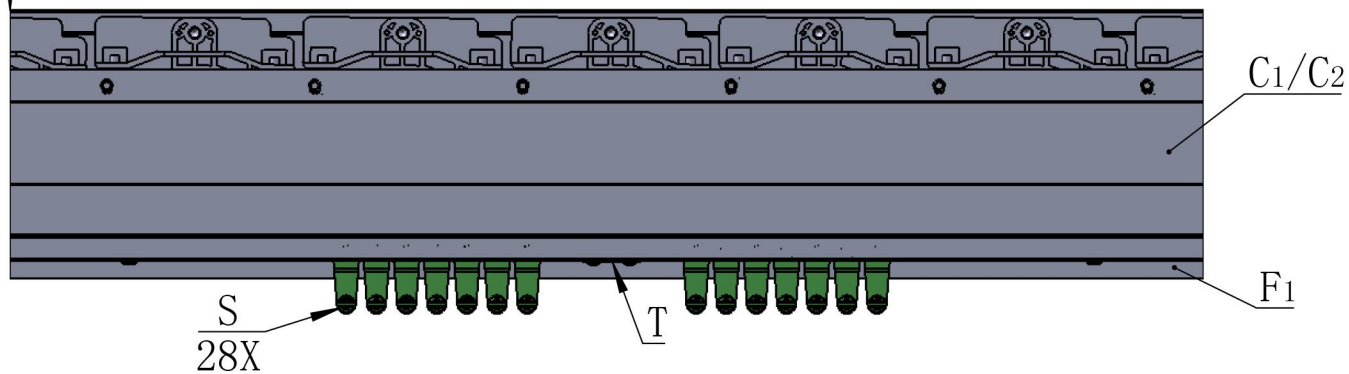
20# 1X



2X



Here are two rails for curtains and netting.

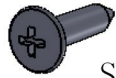




S 28X

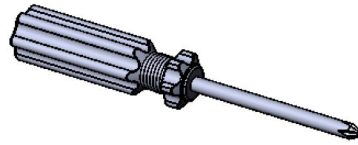


T 2X



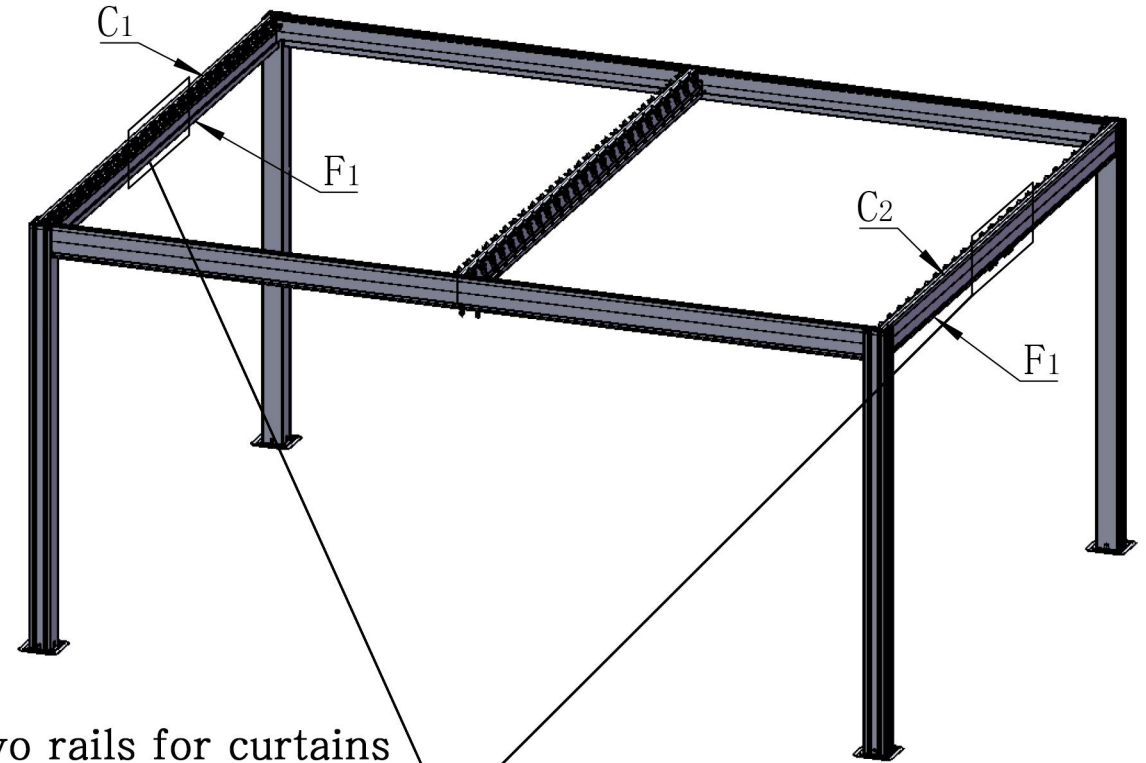
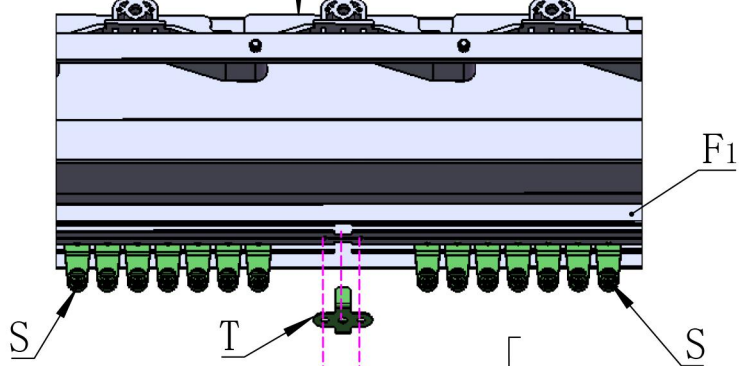
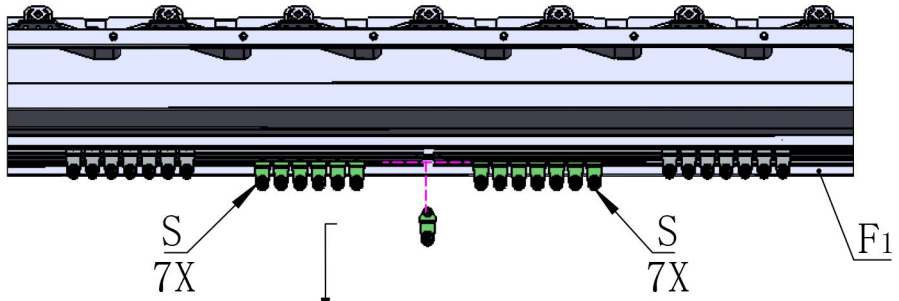
2# 4X

ST4. 2*16

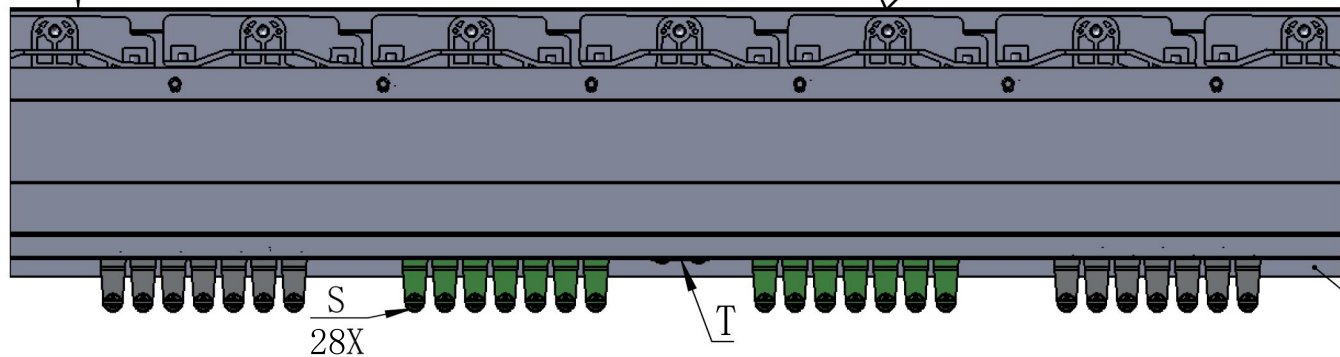
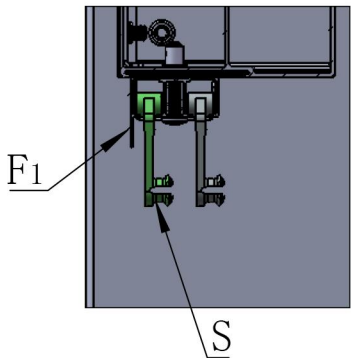


20# 1X

ATTENTION: Please remove Part #T before assembling hooks!



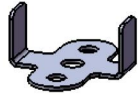
! Here are two rails for curtains and netting.



2X



S 36X

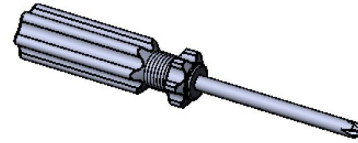


T 2X

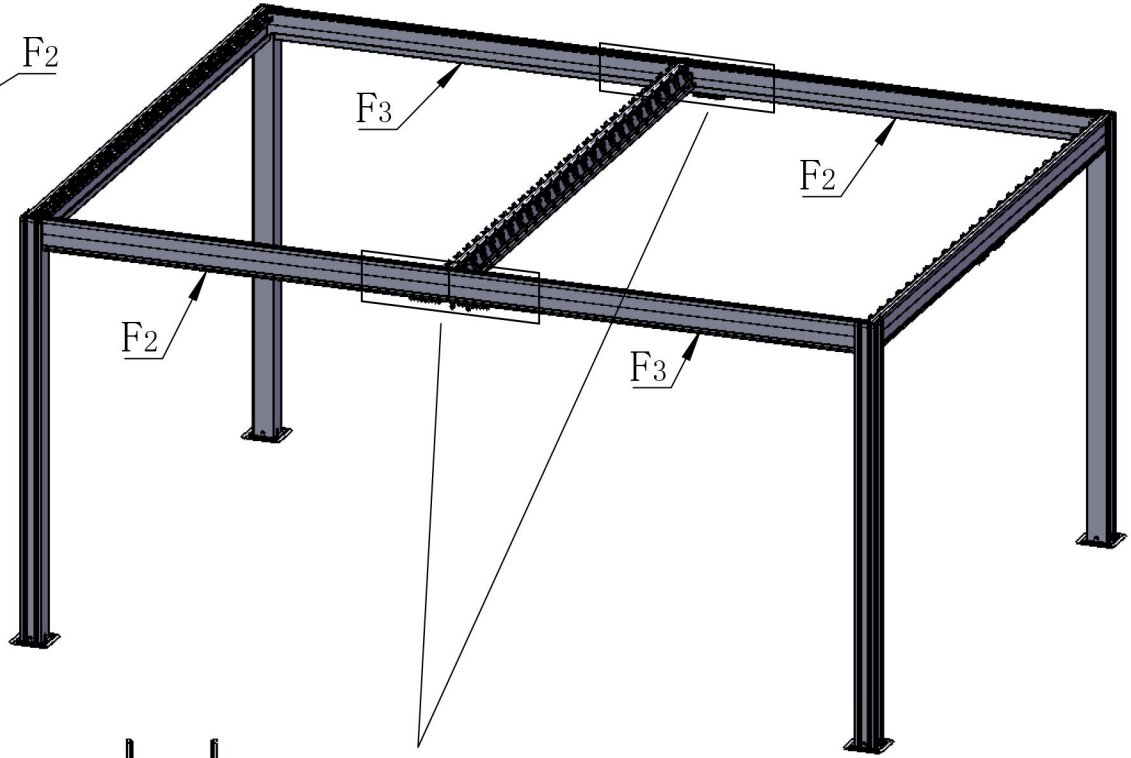
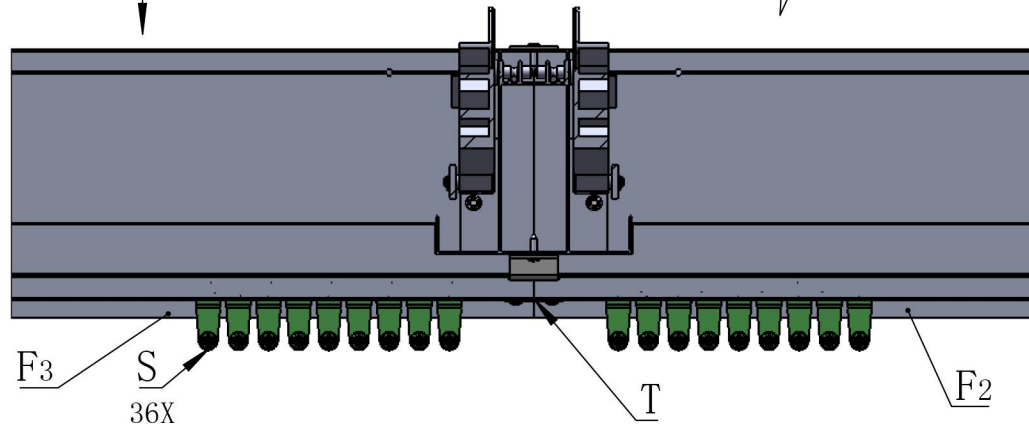
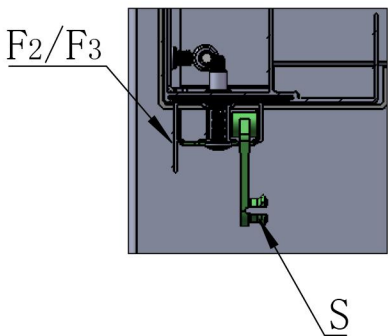
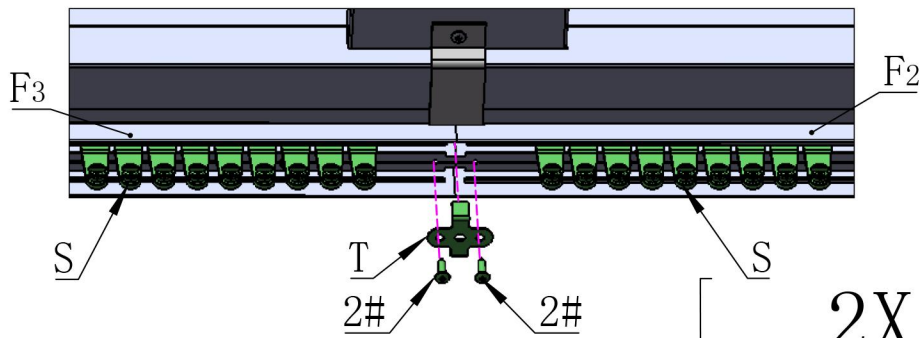
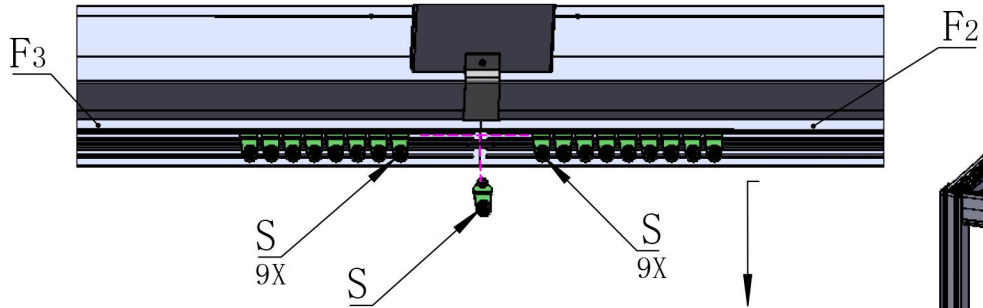


ST4. 2*16

2# 4X



20# 1X



! Here are two rails for curtains and netting.



S 36X

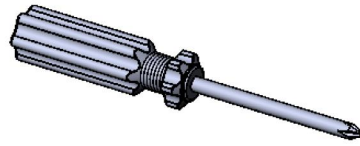


T 2X



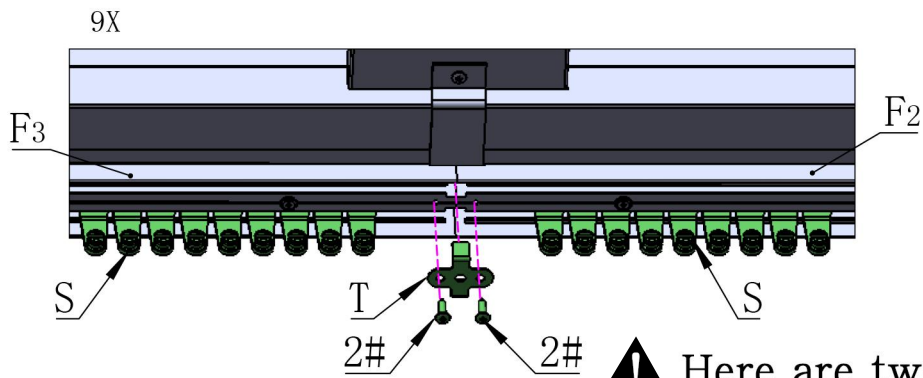
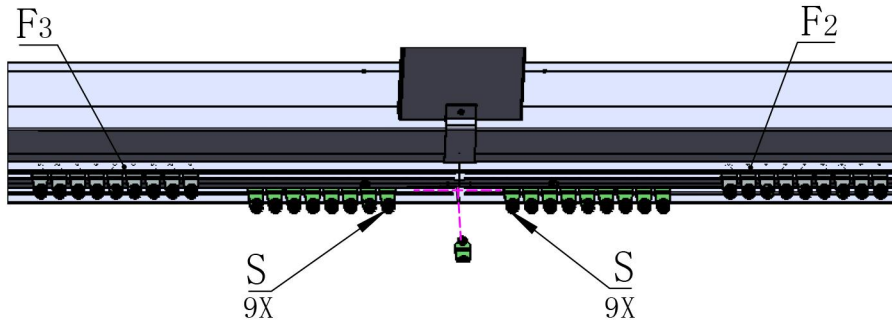
2# 4X

ST4. 2*16

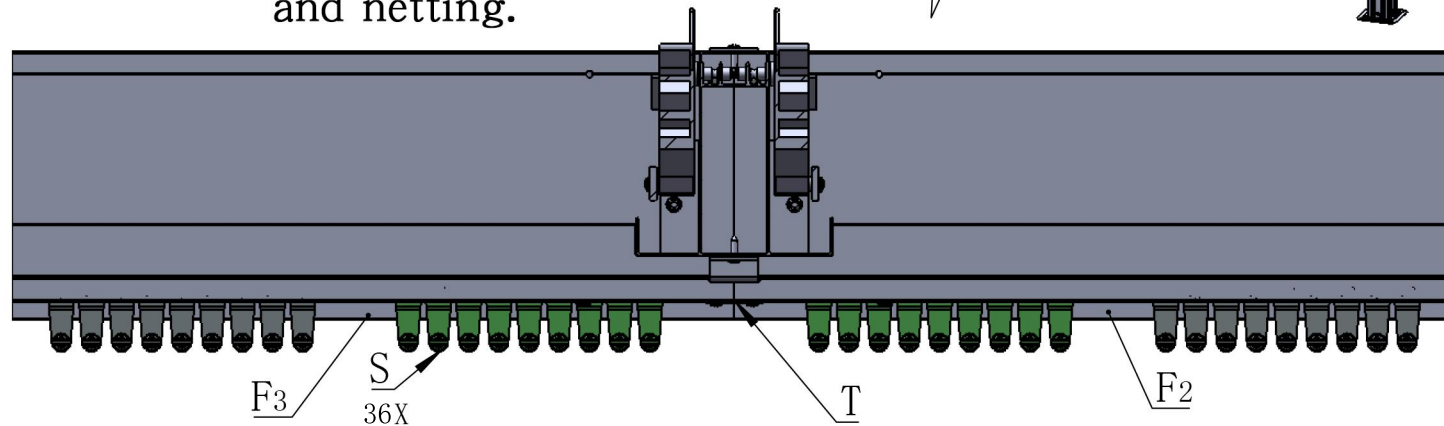
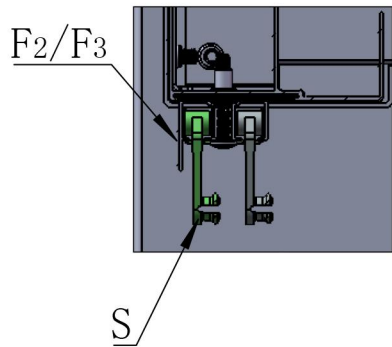
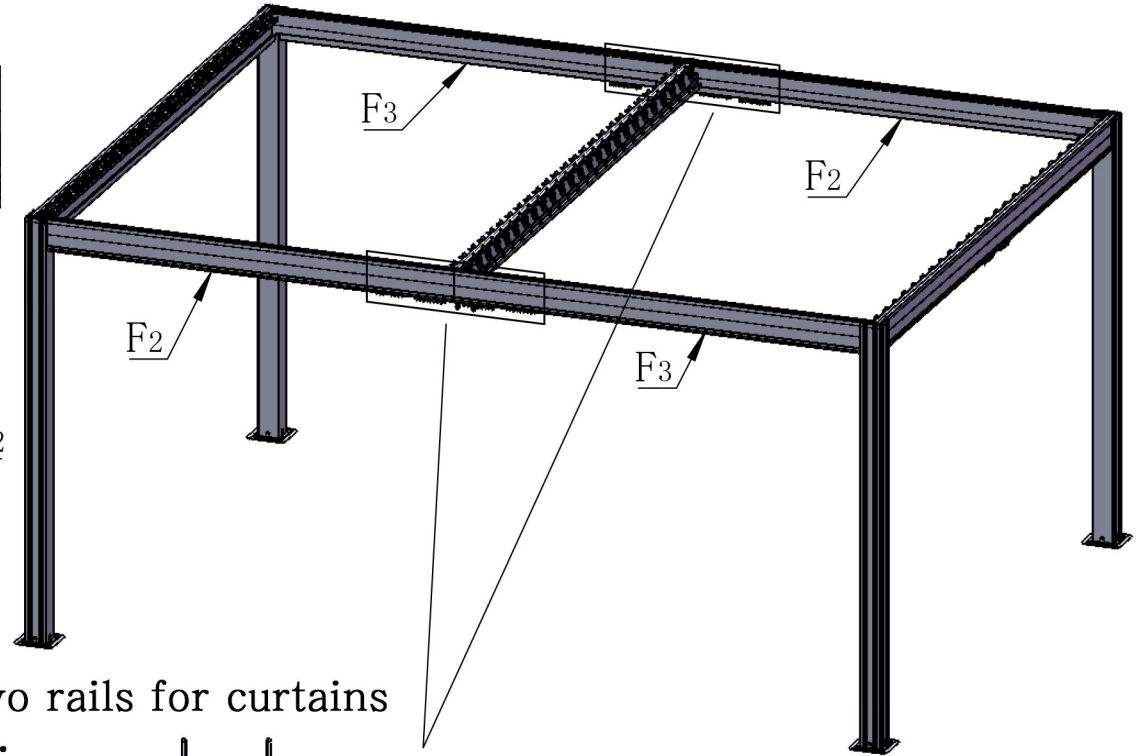


20# 1X

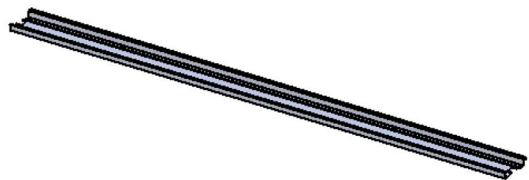
ATTENTION: Please remove Part #T before assembling hooks!



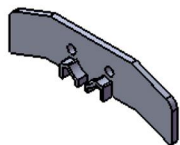
! Here are two rails for curtains and netting.



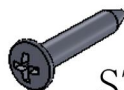
2X



G 50X

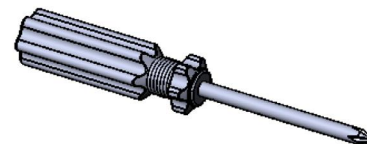


R 100X

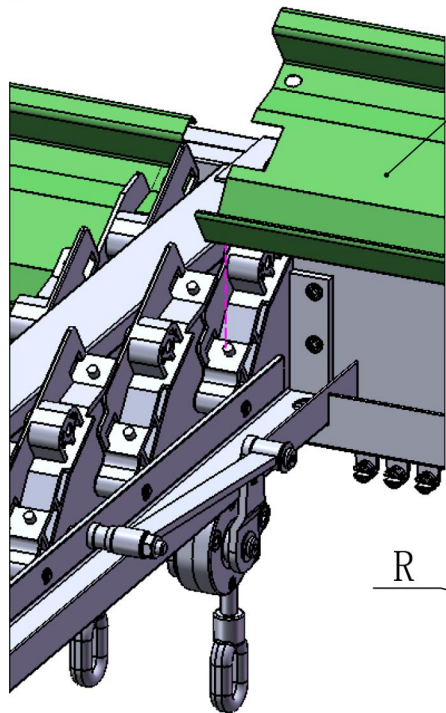


ST3.5*19

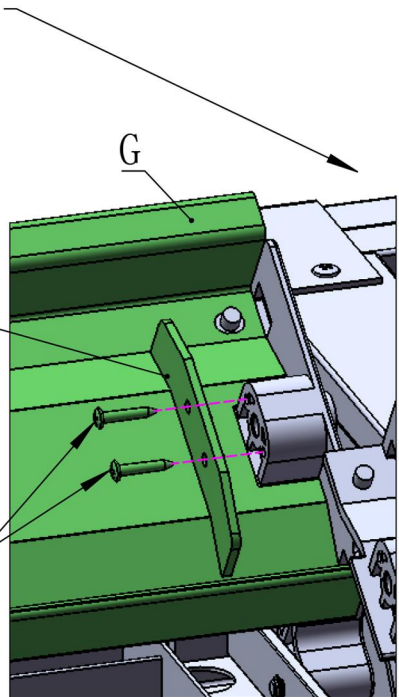
3# 200X



20# 1X



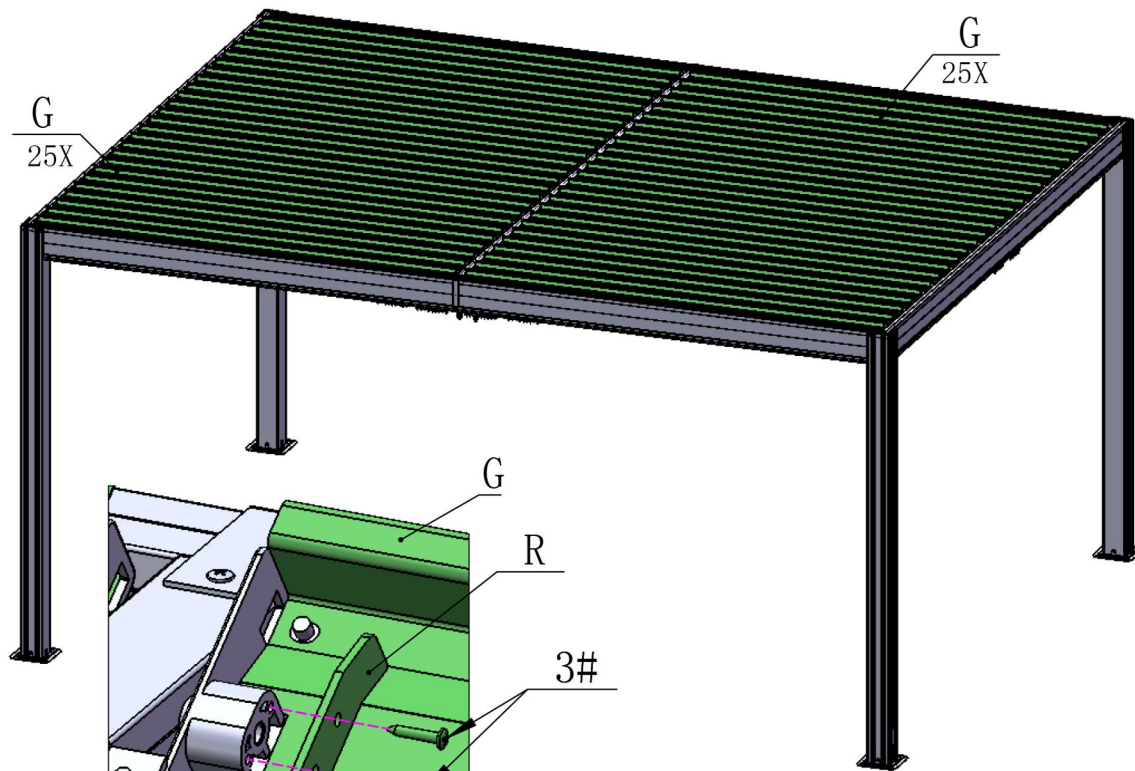
G 50X



G

R

3#



G 25X

G 25X

G

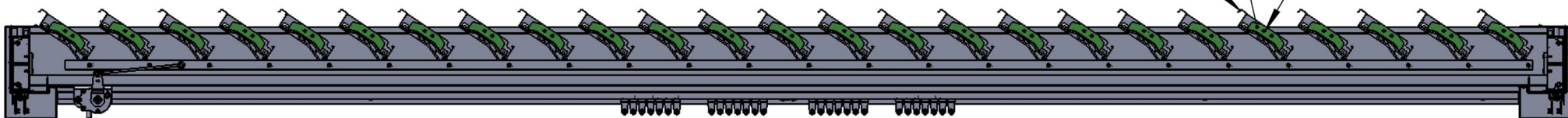
R

3#

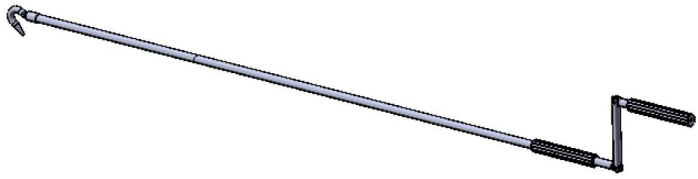
G 50X

R 100X

3# 200X

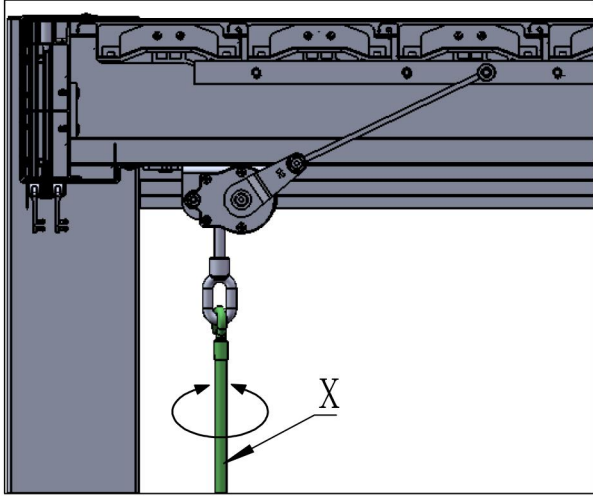


2X

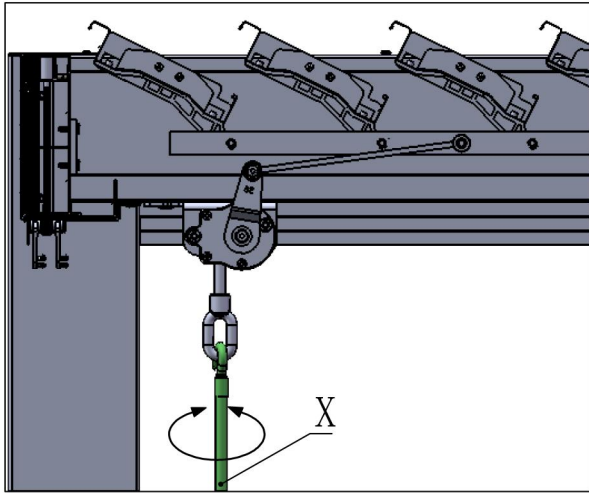


X

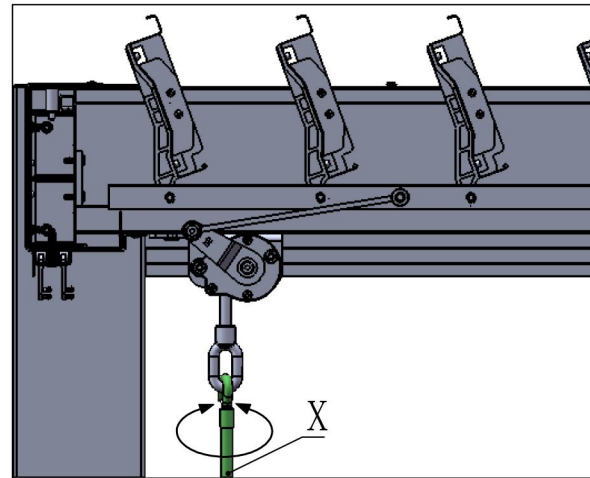
1X



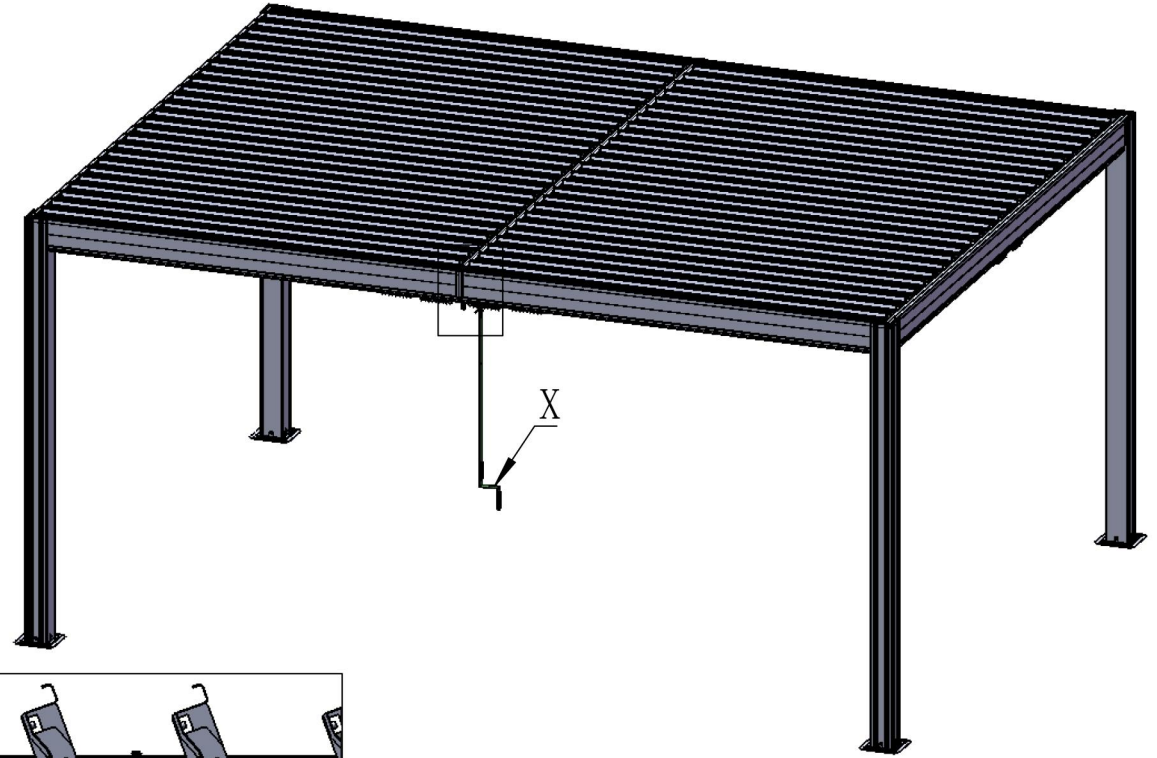
X



X

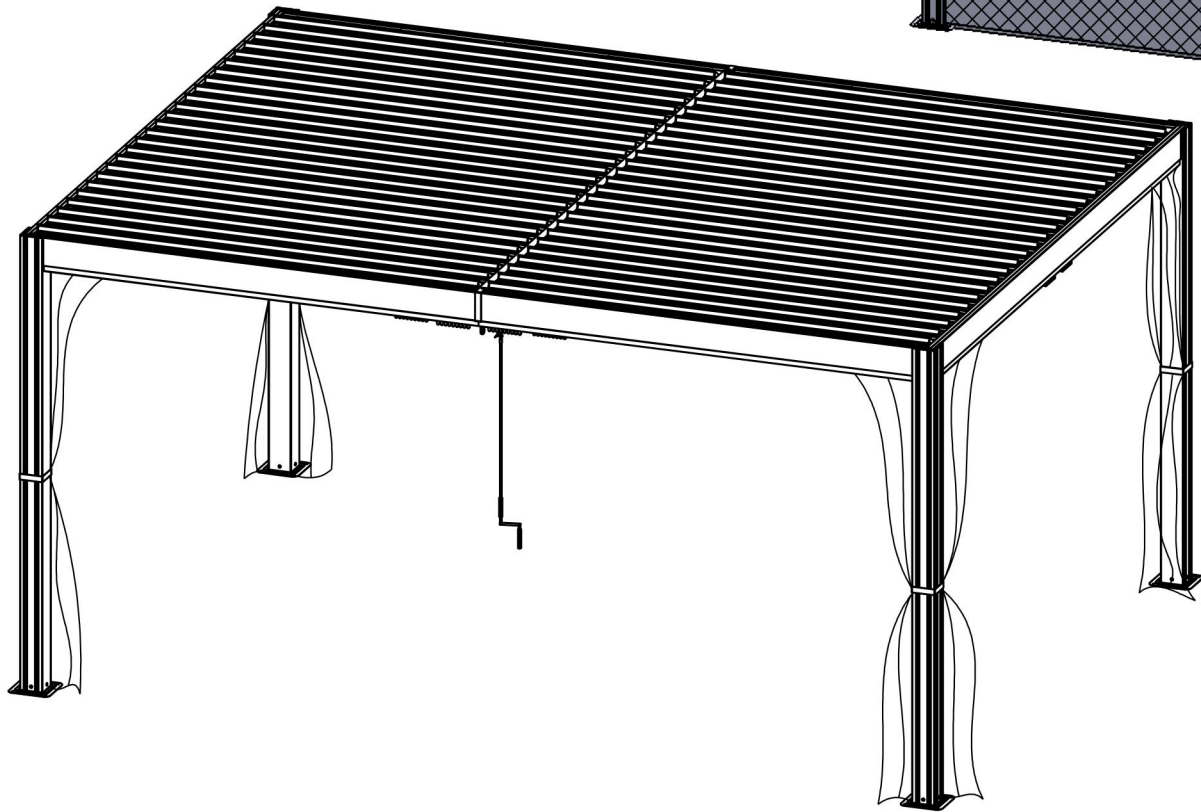
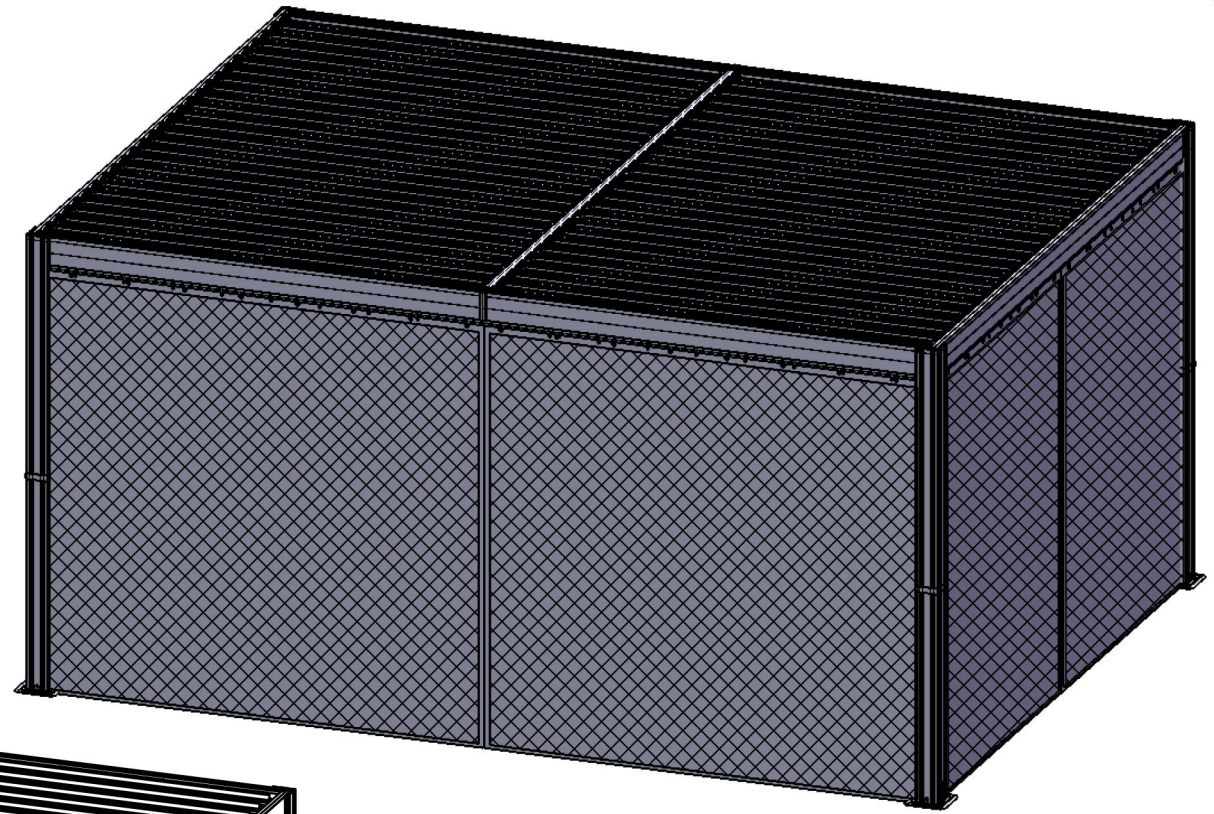


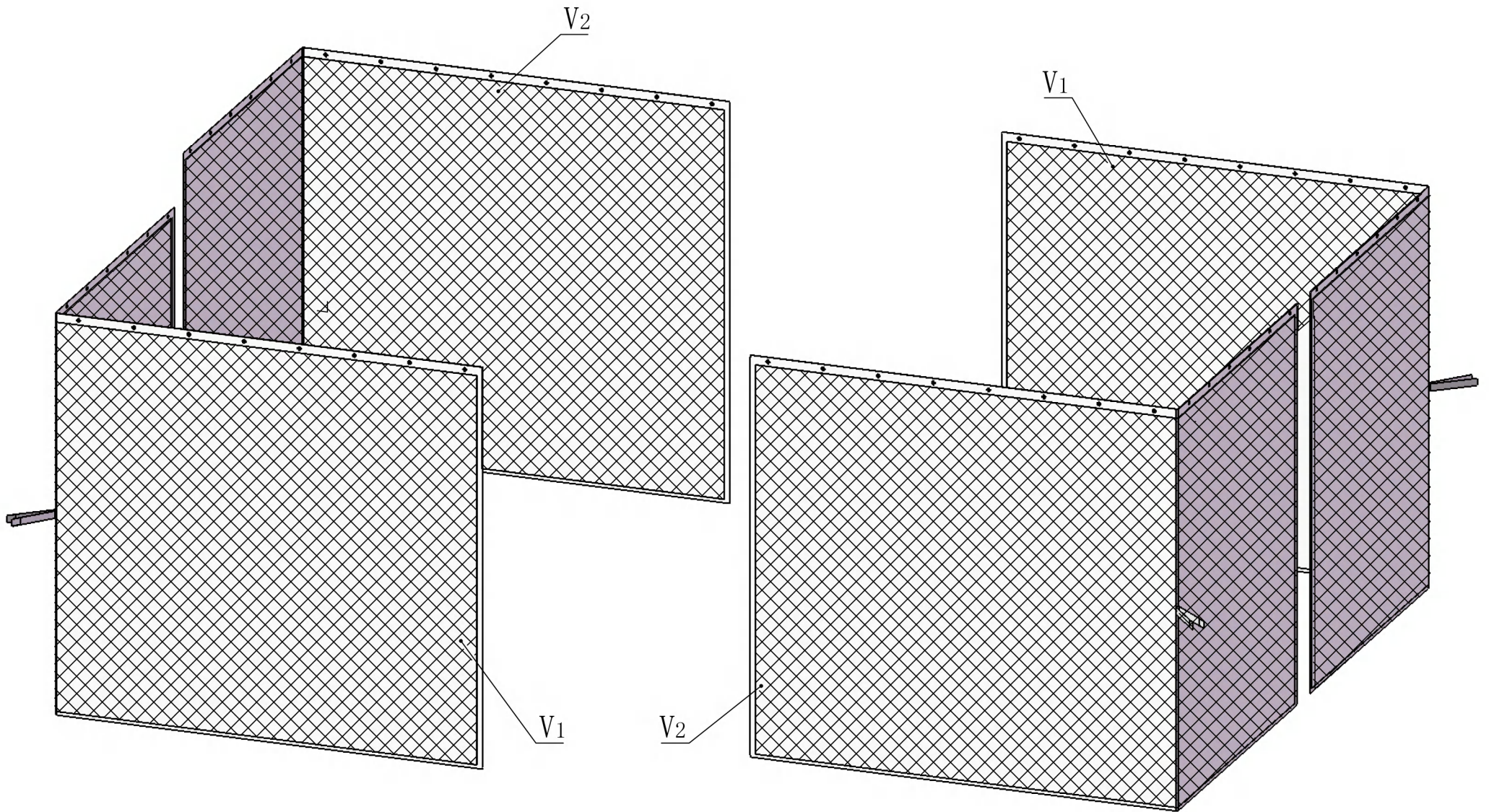
X

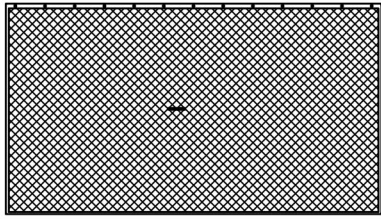


X

STEP 3

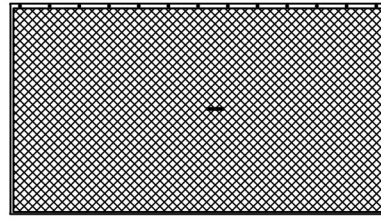






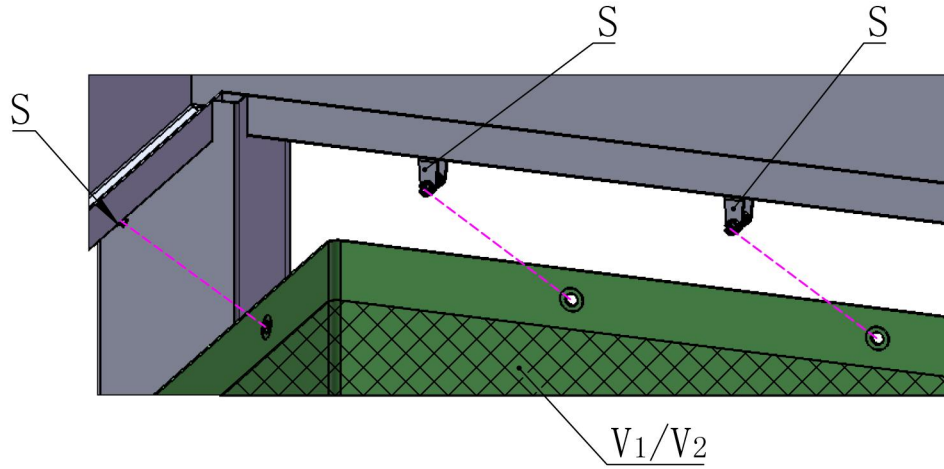
V1

2X

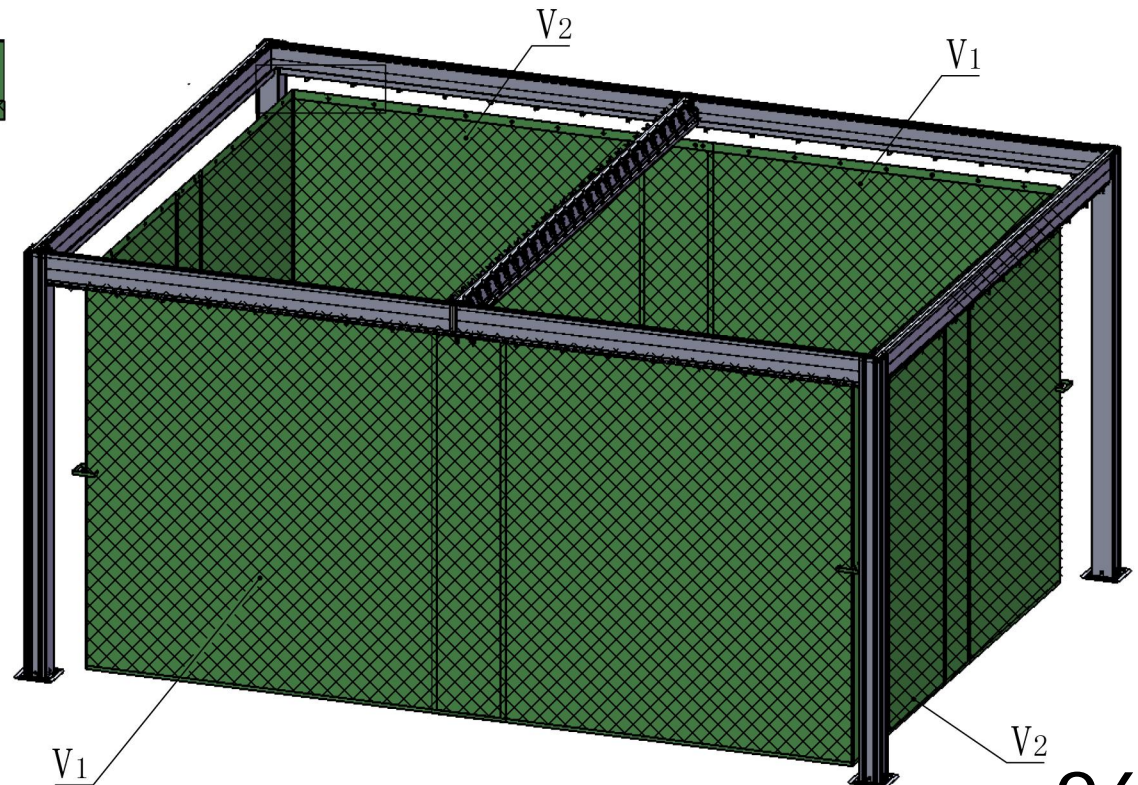
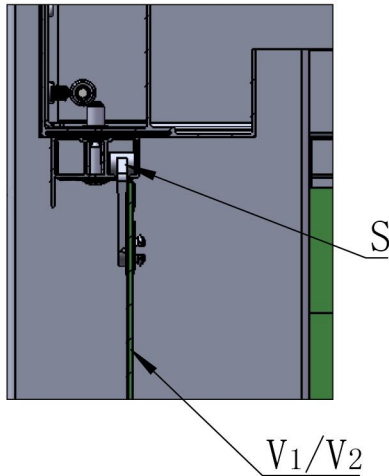


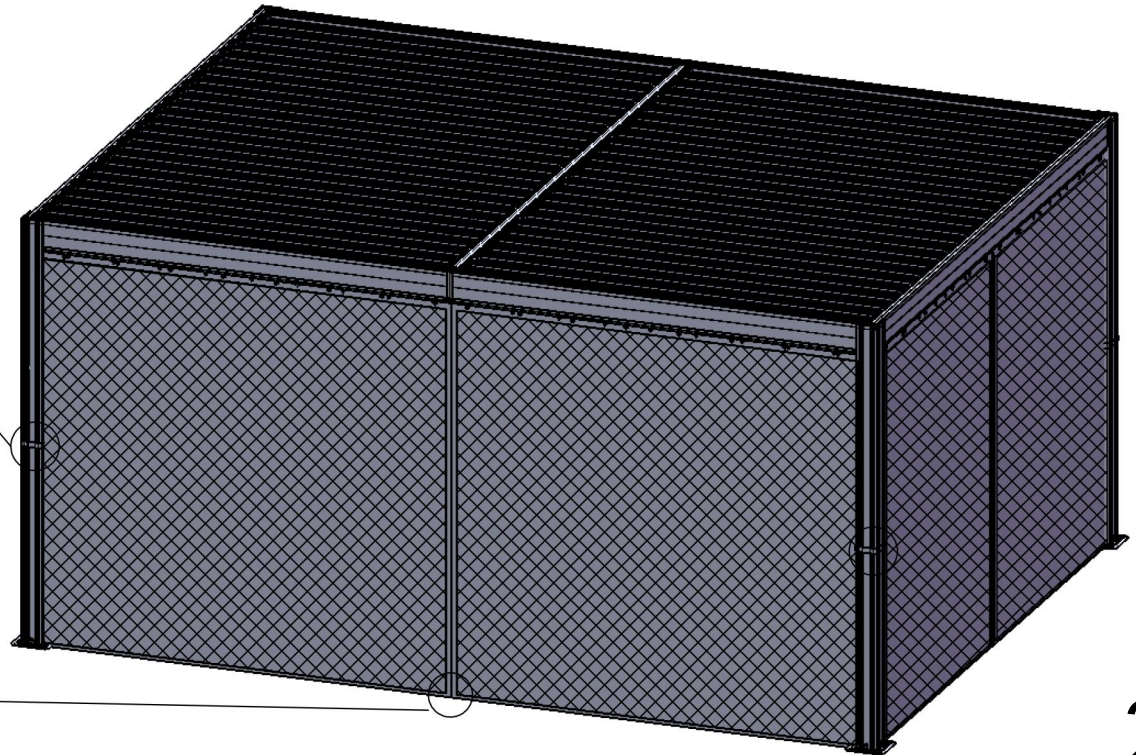
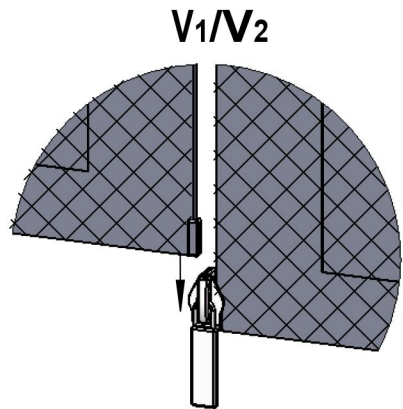
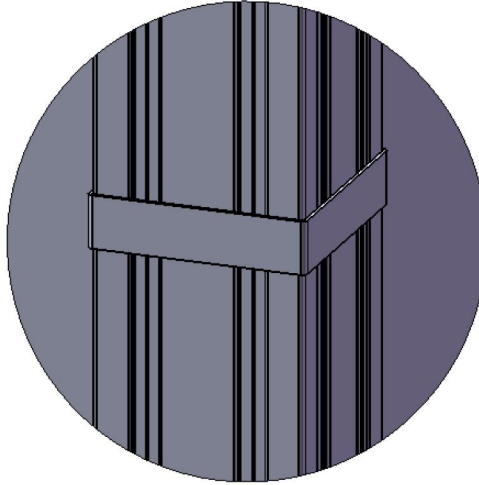
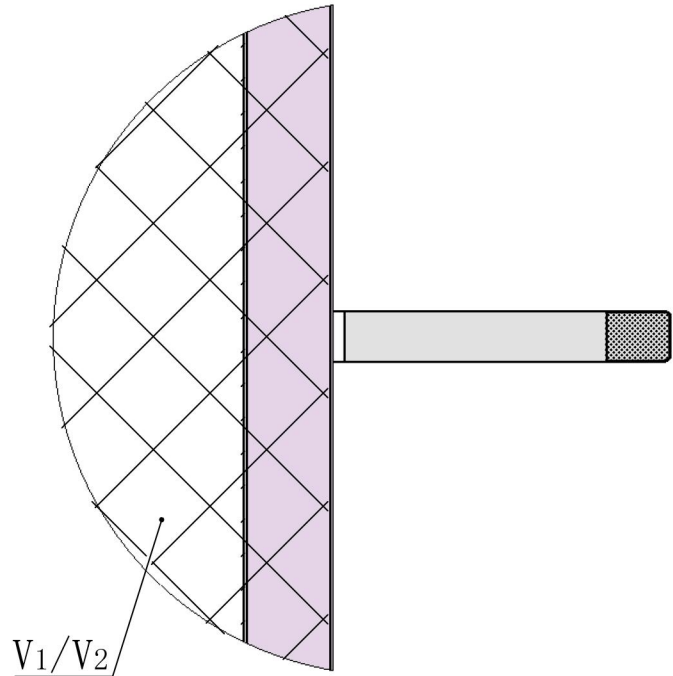
V2

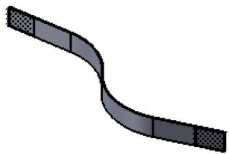
2X



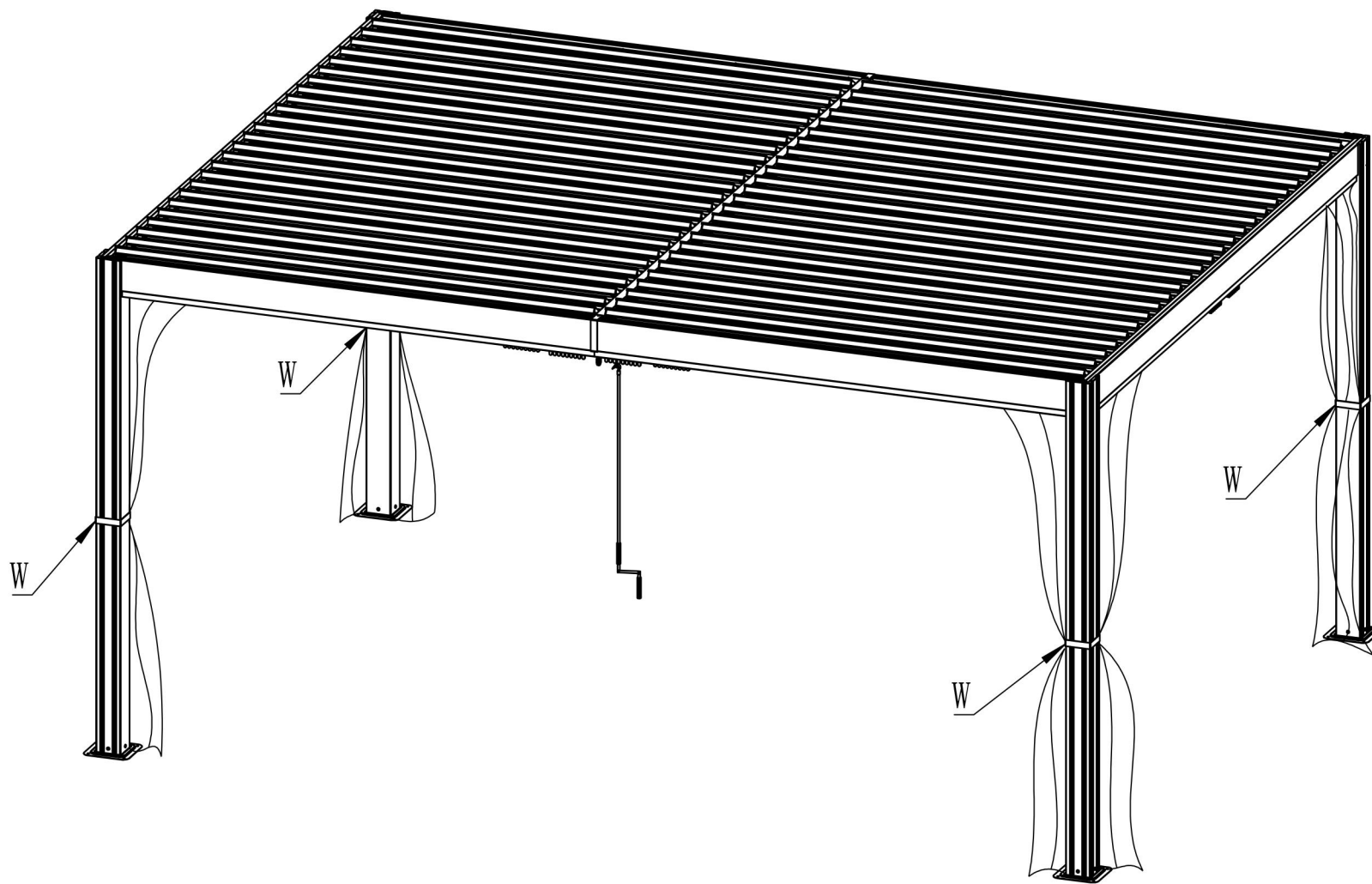
⚠ Pictures below indicate the number of holes on the netting, each hole is match to one hook.

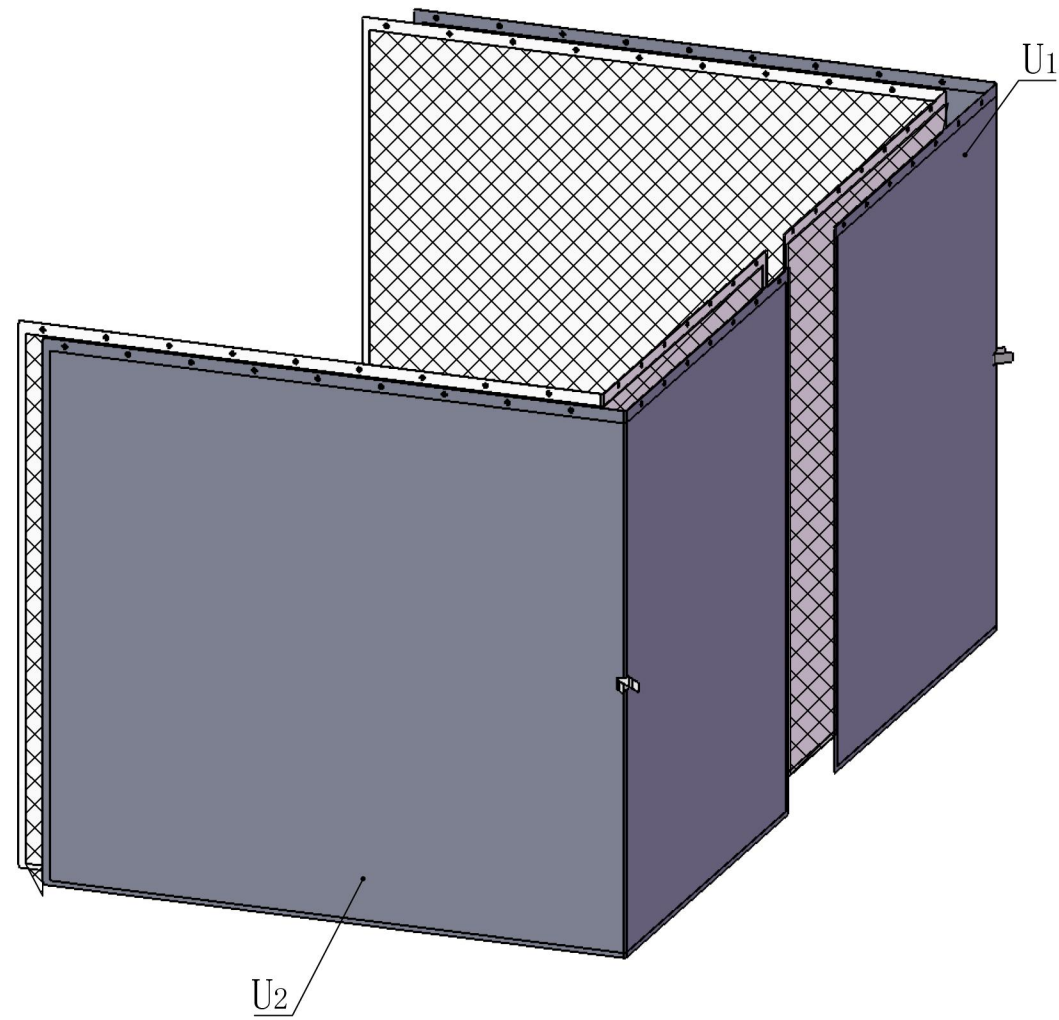
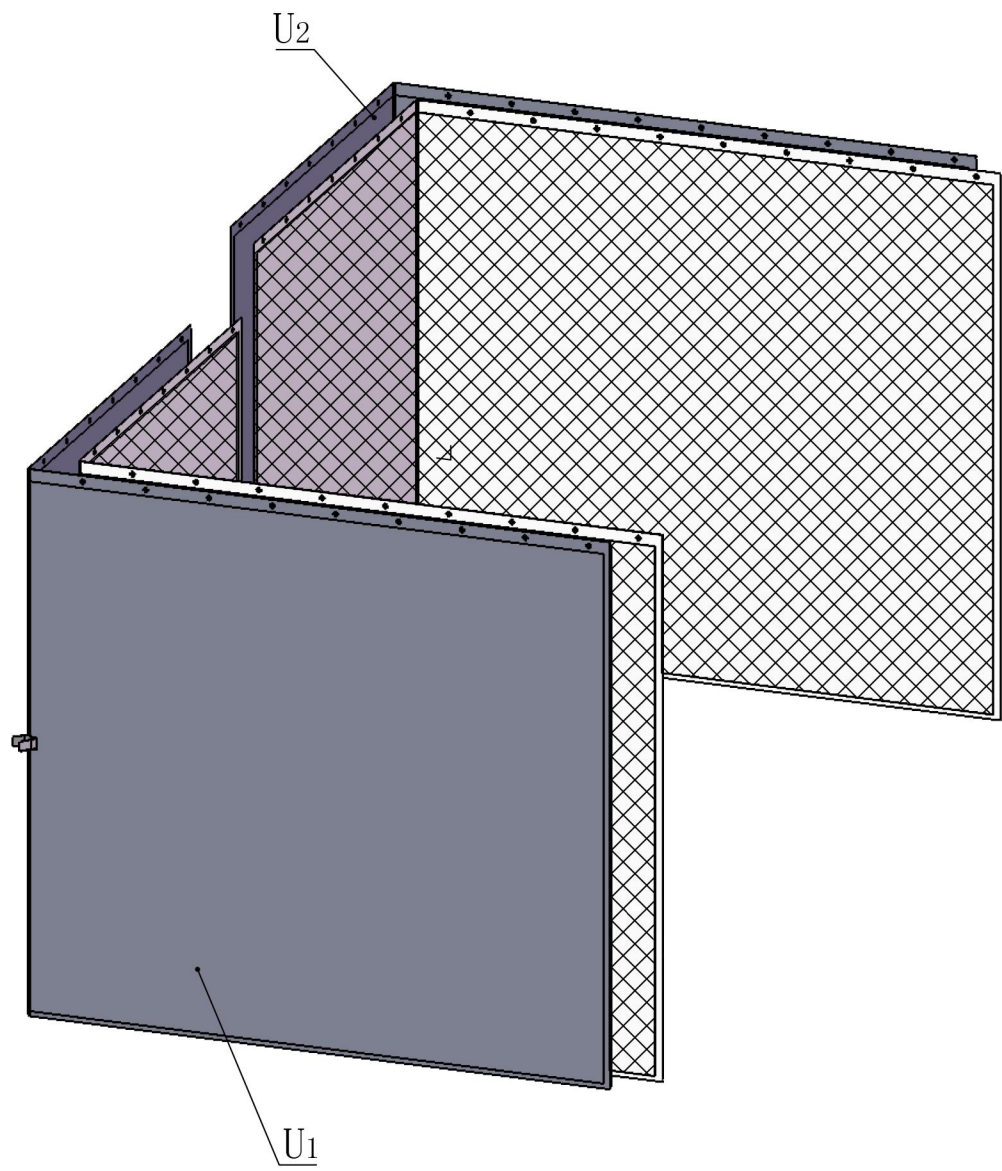


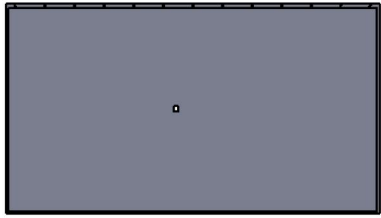




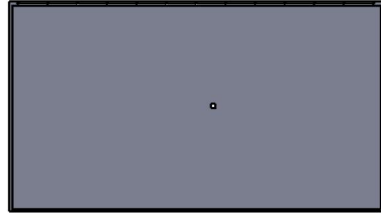
W 4X



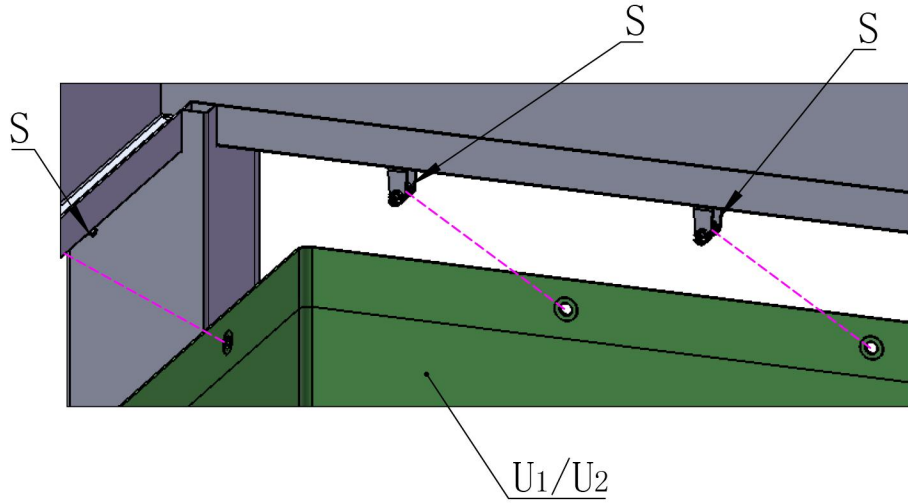




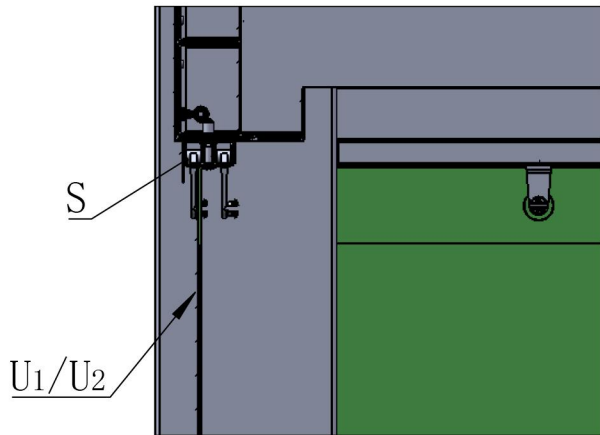
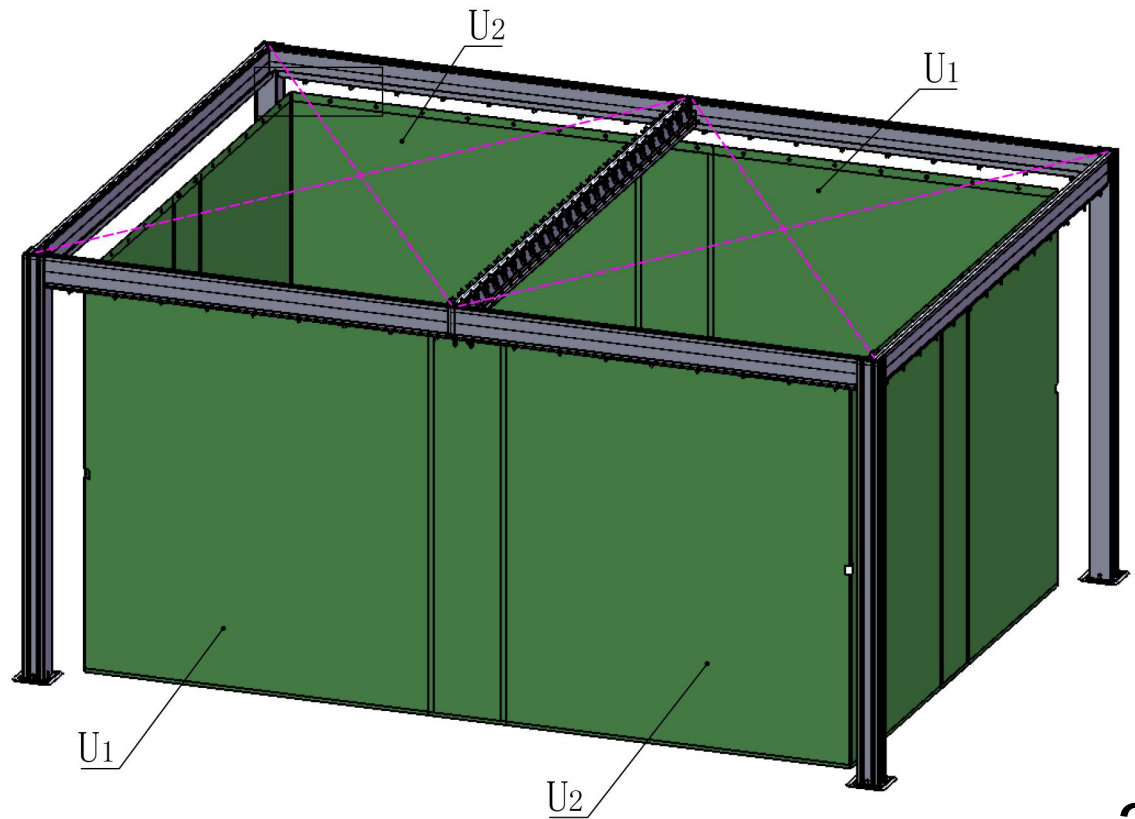
U1 2X

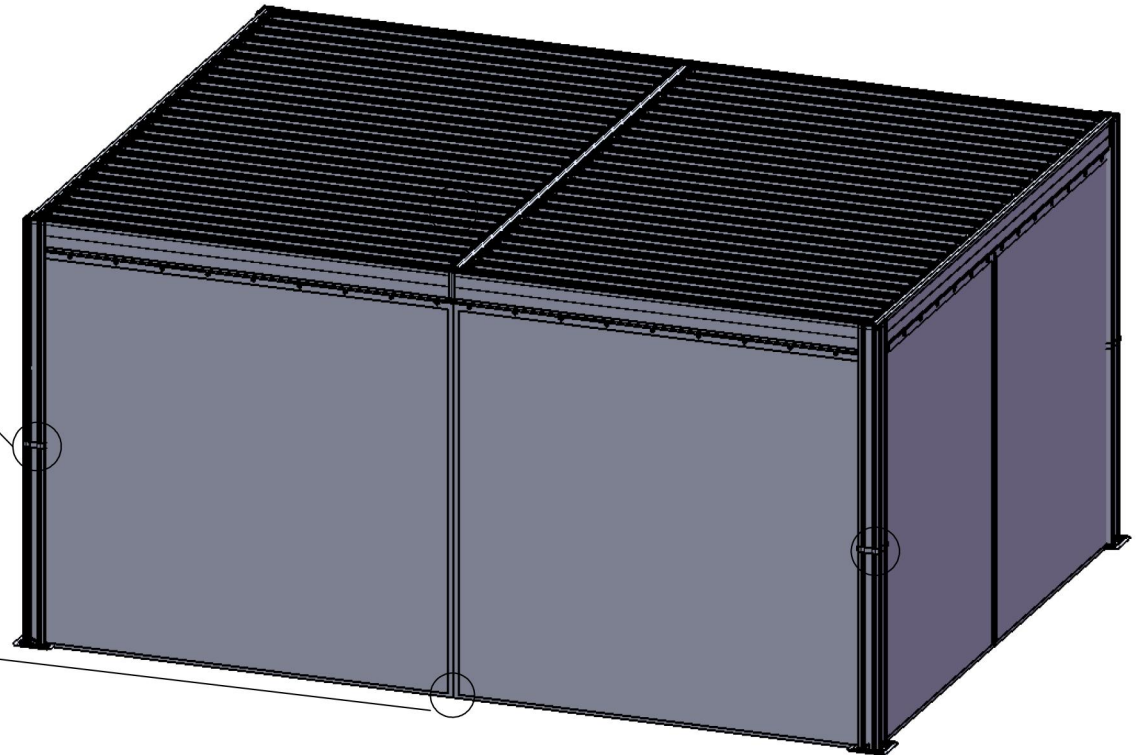
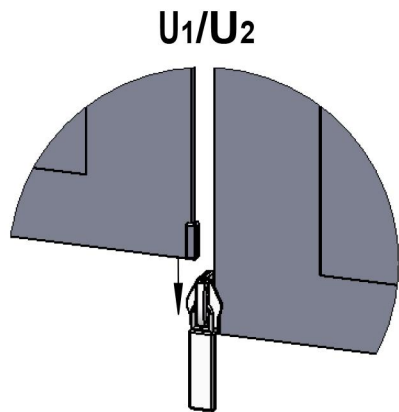
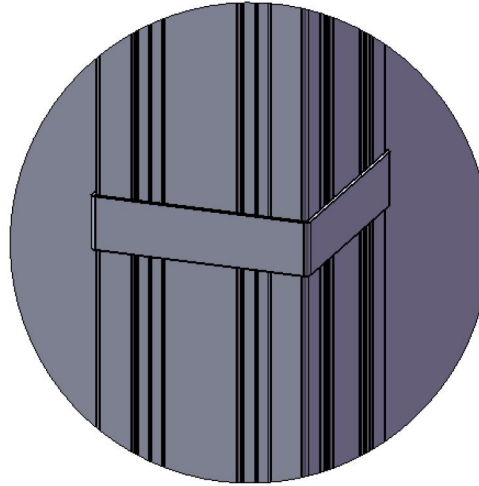
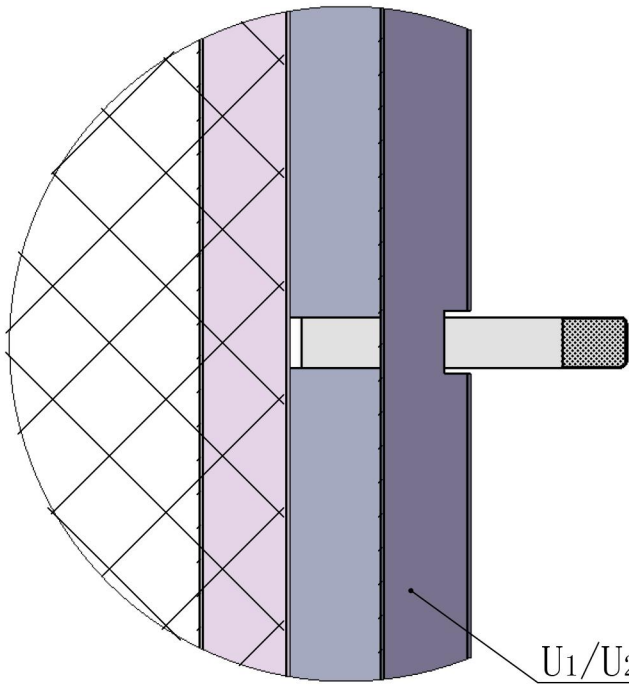


U2 2X



Pictures below indicate the number of holes on the curtains, each hole is match to one hook.







RESORT COMFORT IN YOUR
OWN BACKYARD

Support:



Email: service@domioutdoorliving.com

Please tell us your order ID when contact.

Attach photos of damaged part for instant reply.