

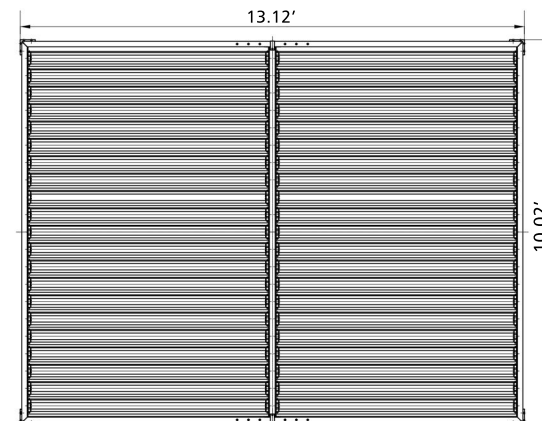
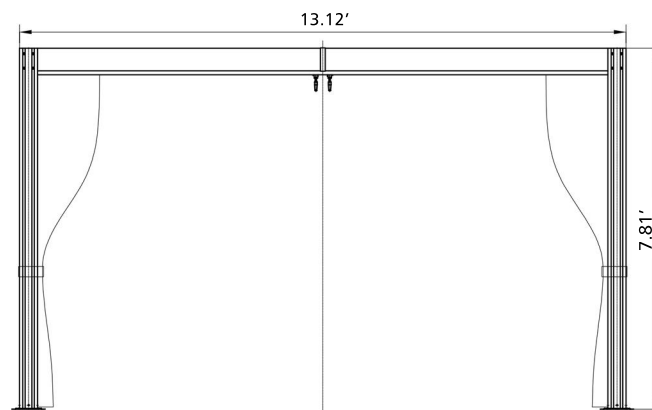


# 10'x13'

SKU:LGMF1590

LOUVERED PERGOLA

**Assembly Manual**



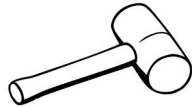
## Pre-assembly

### TOOLS THAT MAY BE REQUIRED (Not included in boxes)

\*NOTE: Tools / equipment are not shown to actual size and scale.



LEVEL



RUBBER Mallet



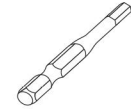
PHILLIPS SCREW



DRILL



ALLEN KEY



ALLEN KEY

### EQUIPMENT REQUIRED (Not included in boxes)

\*NOTE: Equipment are not shown to actual size and scale.



SAFETY HAT



GLOVES



SAFETY GOGGLES



STEPLADDER

### Matters needing attention

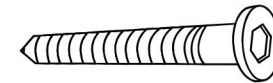
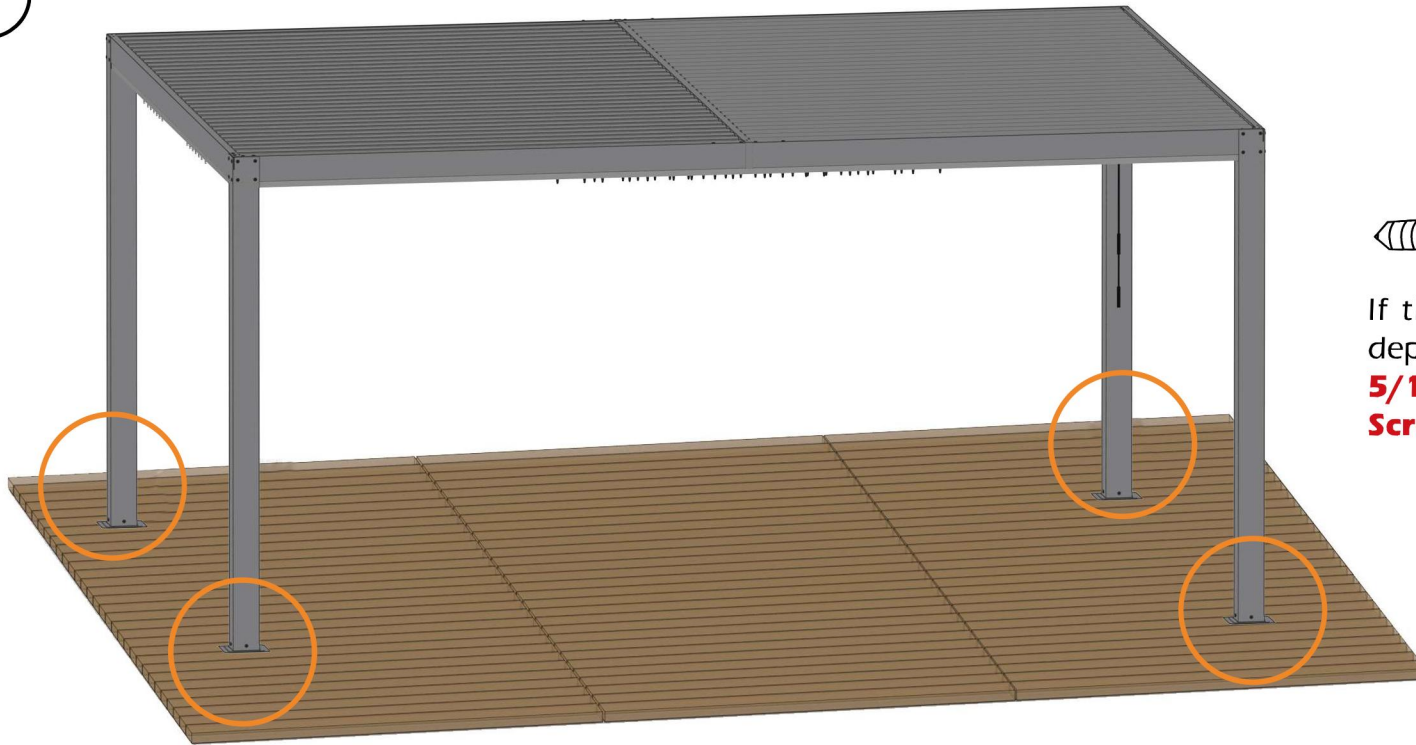


1. Two or more people are required for assembly.

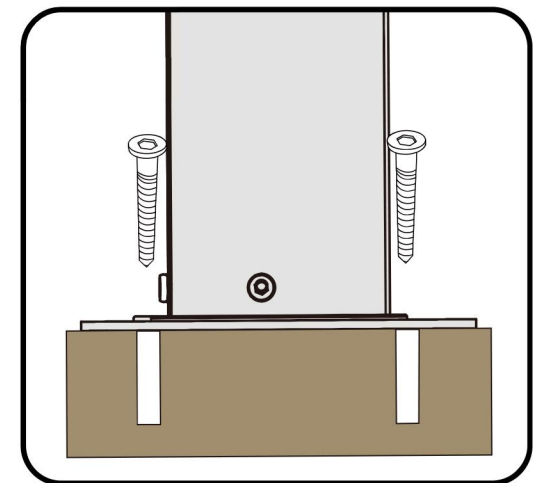
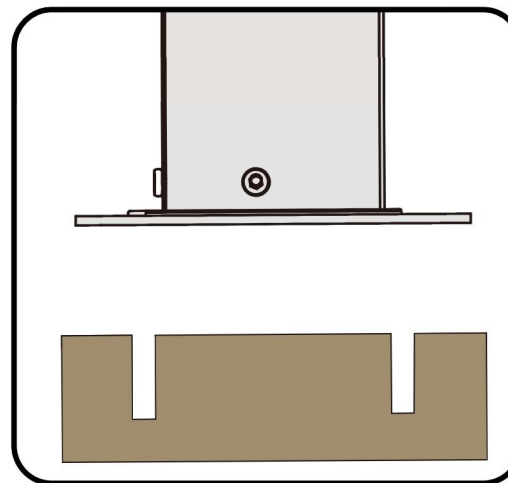


2. Do not fully tighten screws prior to complete assembly.

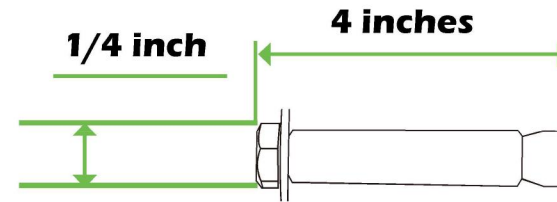
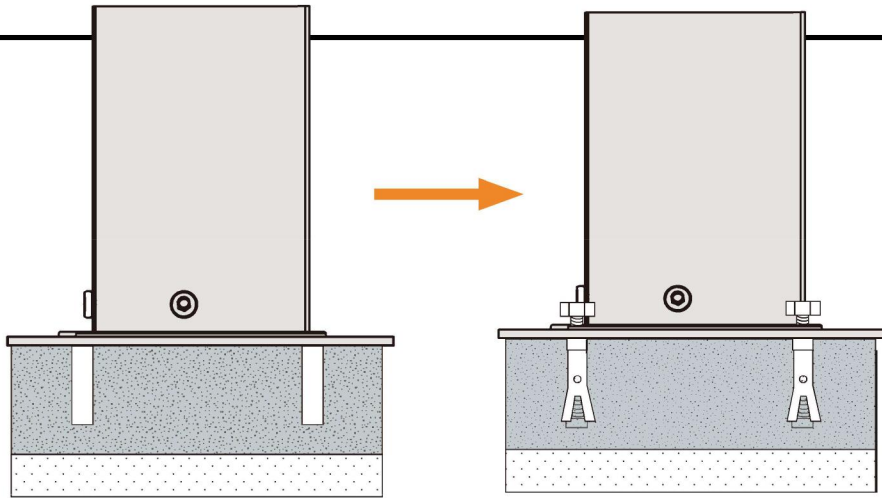
1



If the deck is hard wood and the depth of it is over 3 inch, you can use **5/16 in. x4 in. Structural Wood Screw** to mount the pergola.

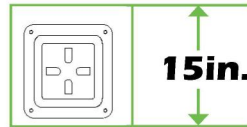
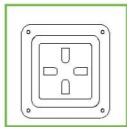


2

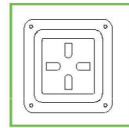
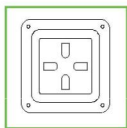


If the ground is concreted and the depth of it is over 3 inch, you can use 1/4 inch expansion bolts to mount the pergola

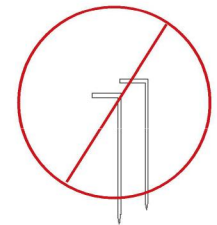
3



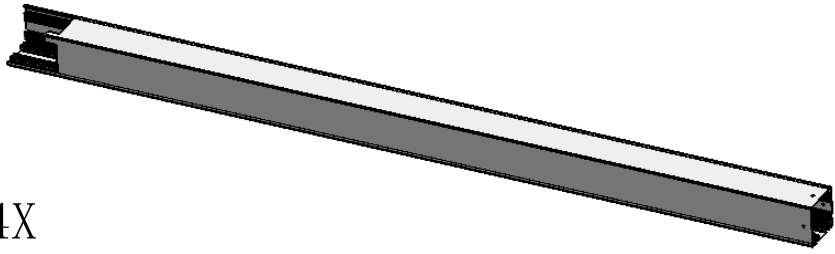
Or you can make a concrete footing for pergola, **15×15×15 inches** is recommended. use expansion bolts to mount the pergola like ② shows.



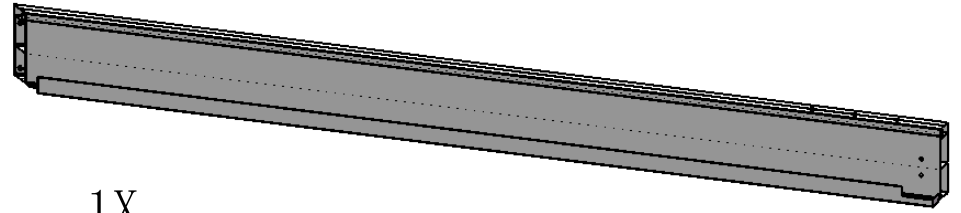
**IMPORTANT:**  
Anchor is not recommended



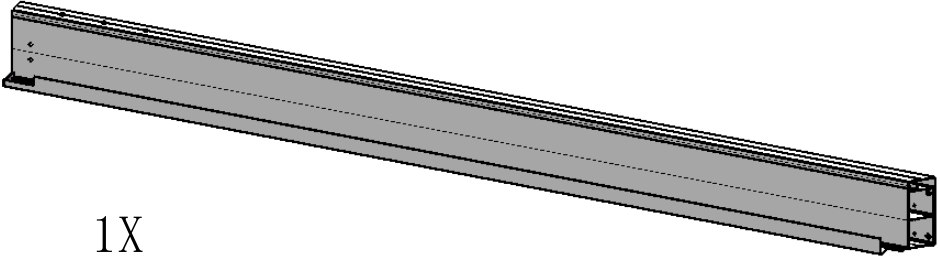
A1 4X



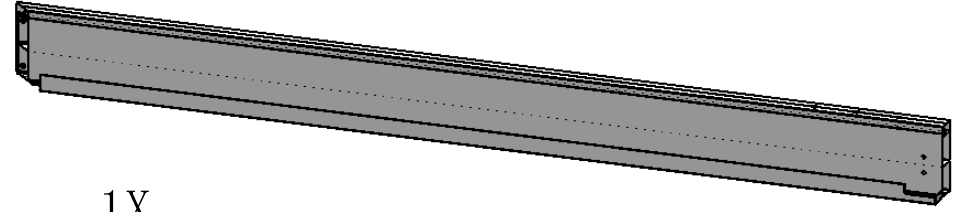
B1 1X



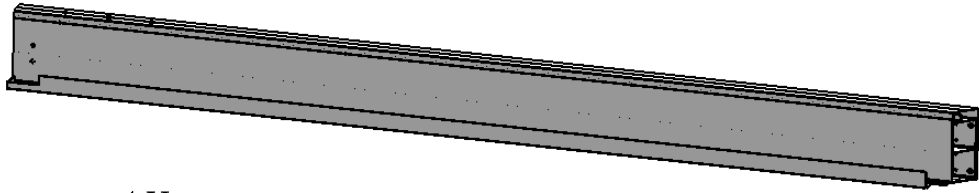
B2 1X



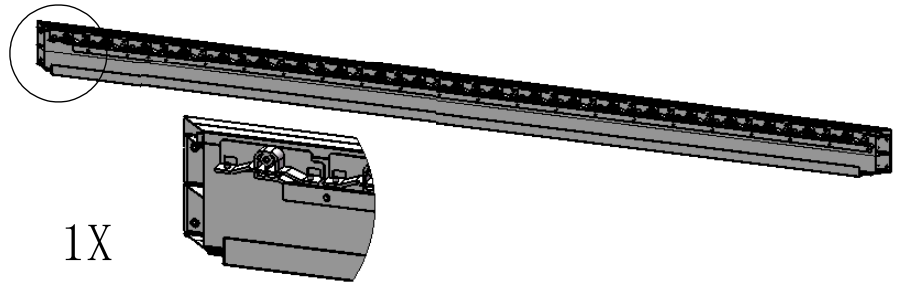
B3 1X



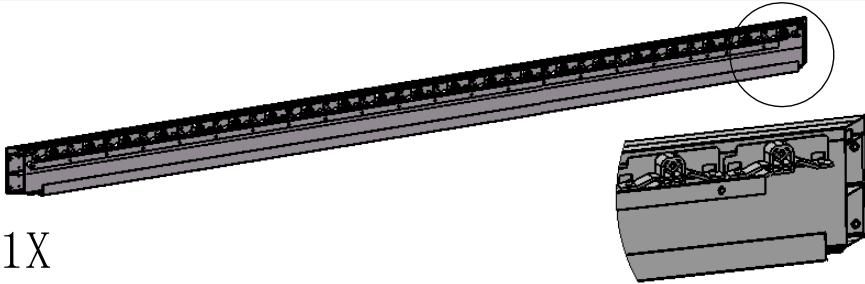
B4 1X



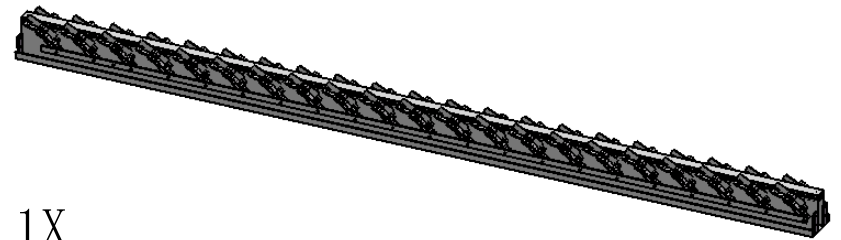
C1 1X



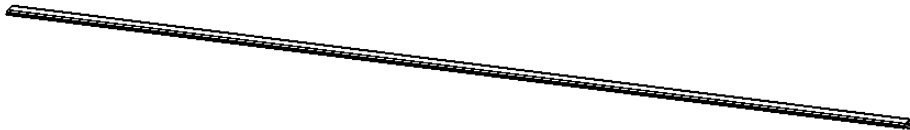
C2 1X



D 1X

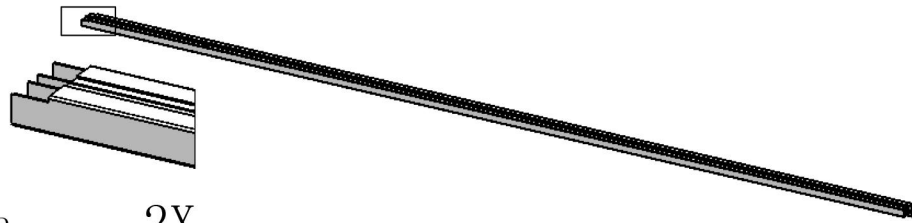


E 2X



F1 2X

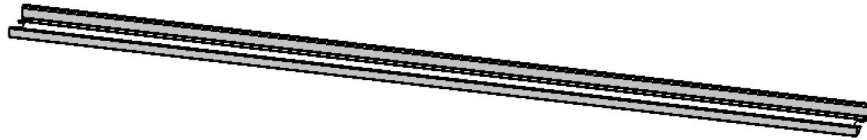




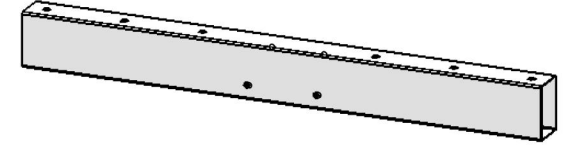
F<sub>2</sub> 2X



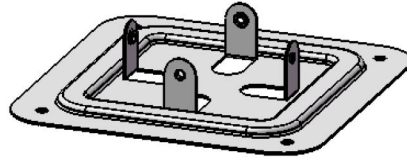
F<sub>3</sub> 2X



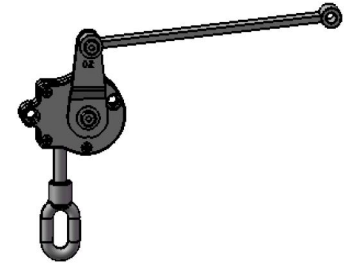
G 42X



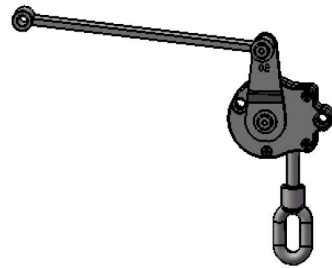
H 4X



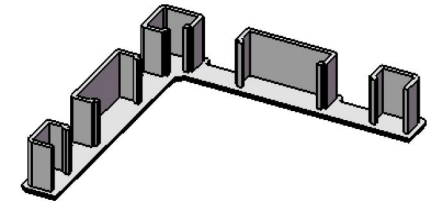
J 4X



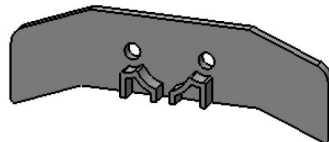
M 1X



N 1X



P 4X

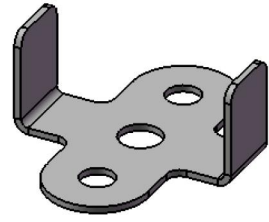


R 84X

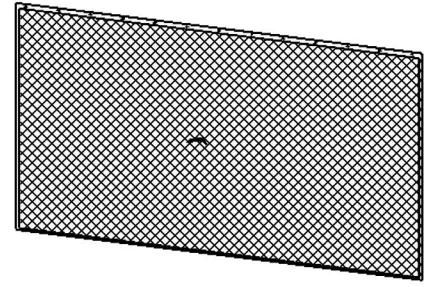


S 56X

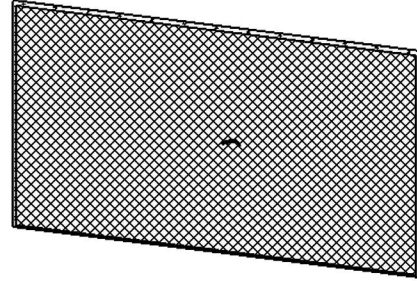
T 4X



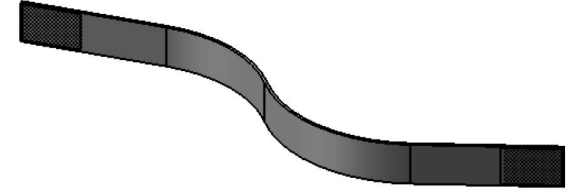
V<sub>1</sub> 2X



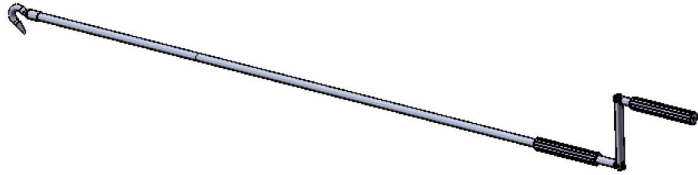
V<sub>2</sub> 2X



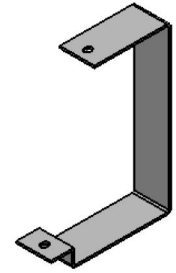
W 4X



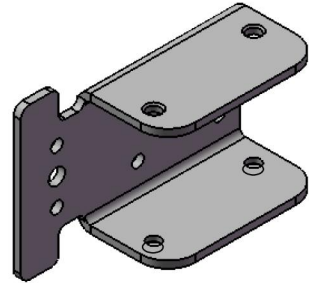
X 1X

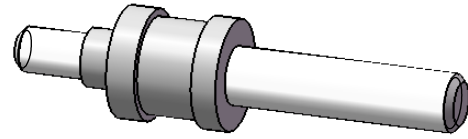


Y 2X



Z 1X





1# 2X



ST4. 2\*16

2# 12X



ST3. 5\*19

3# 168X



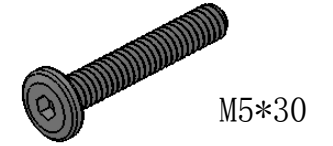
M5\*16

4# 8X



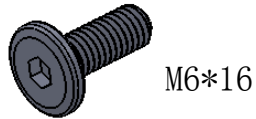
M5\*18

5# 8X



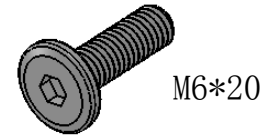
M5\*30

6# 32X



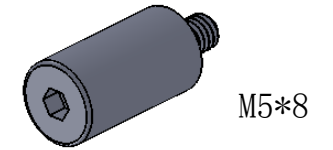
M6\*16

7# 30X



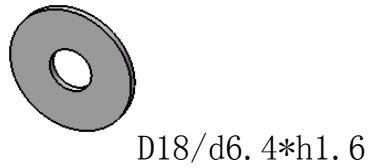
M6\*20

8# 28X



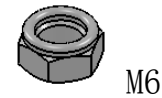
M5\*8

9# 12X



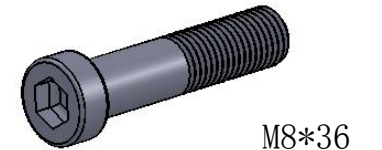
D18/d6. 4\*h1. 6

10# 2X



M6

11# 2X



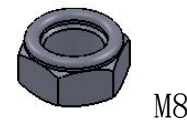
M8\*36

12# 4X



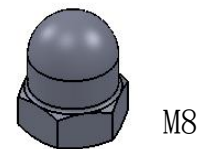
M8

13# 6X



M8

14# 2X

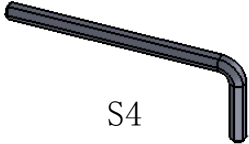


M8

15# 4X



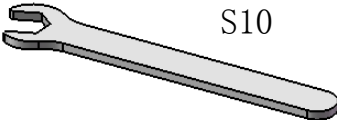
16# 1X



S4

A 4mm hex key with a standard L-shaped design.

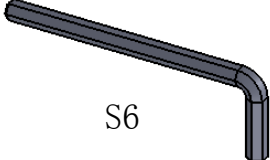
17# 1X



S10

A 10mm hex key with a standard L-shaped design.

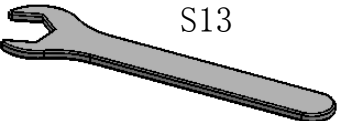
18# 1X



S6

A 6mm hex key with a standard L-shaped design.

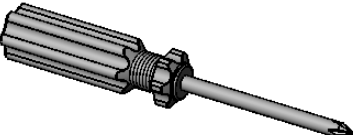
19# 1X



S13


A 13mm hex key with a standard L-shaped design.

20# 1X



A screwdriver with a multi-ribbed handle and a standard flat tip.

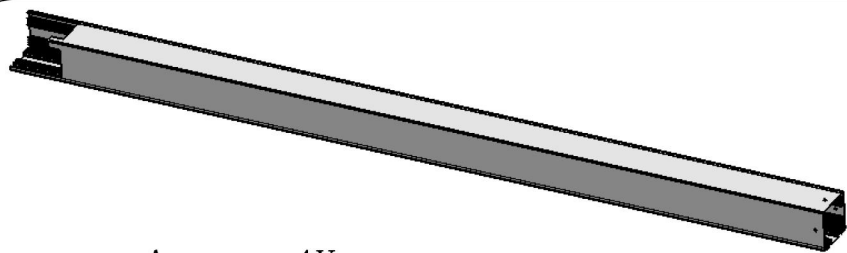
21# 1X



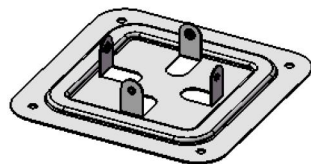
A hex key with a tapered handle and a standard L-shaped design.

# STEP 1

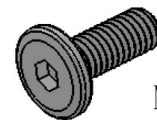




A1 4X

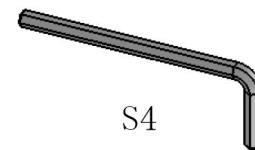


J 4X



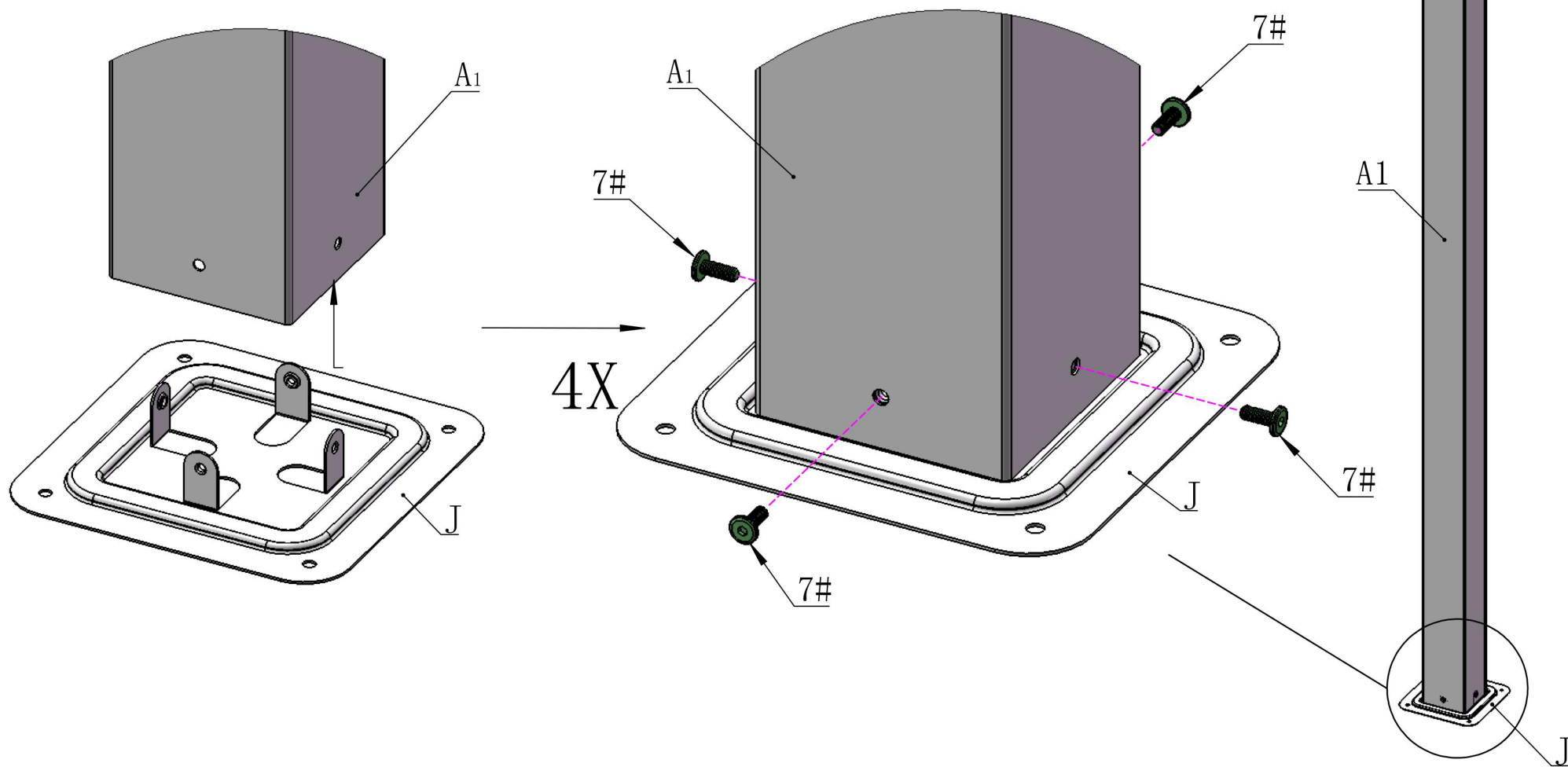
M6\*16

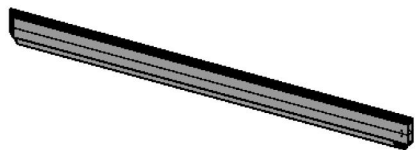
7# 16X



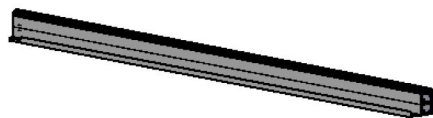
S4

16# 1X

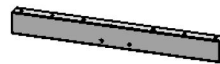




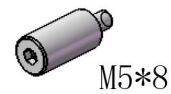
B1 1X



B2 1X



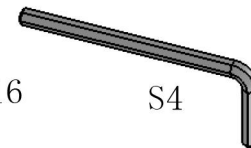
H 2X



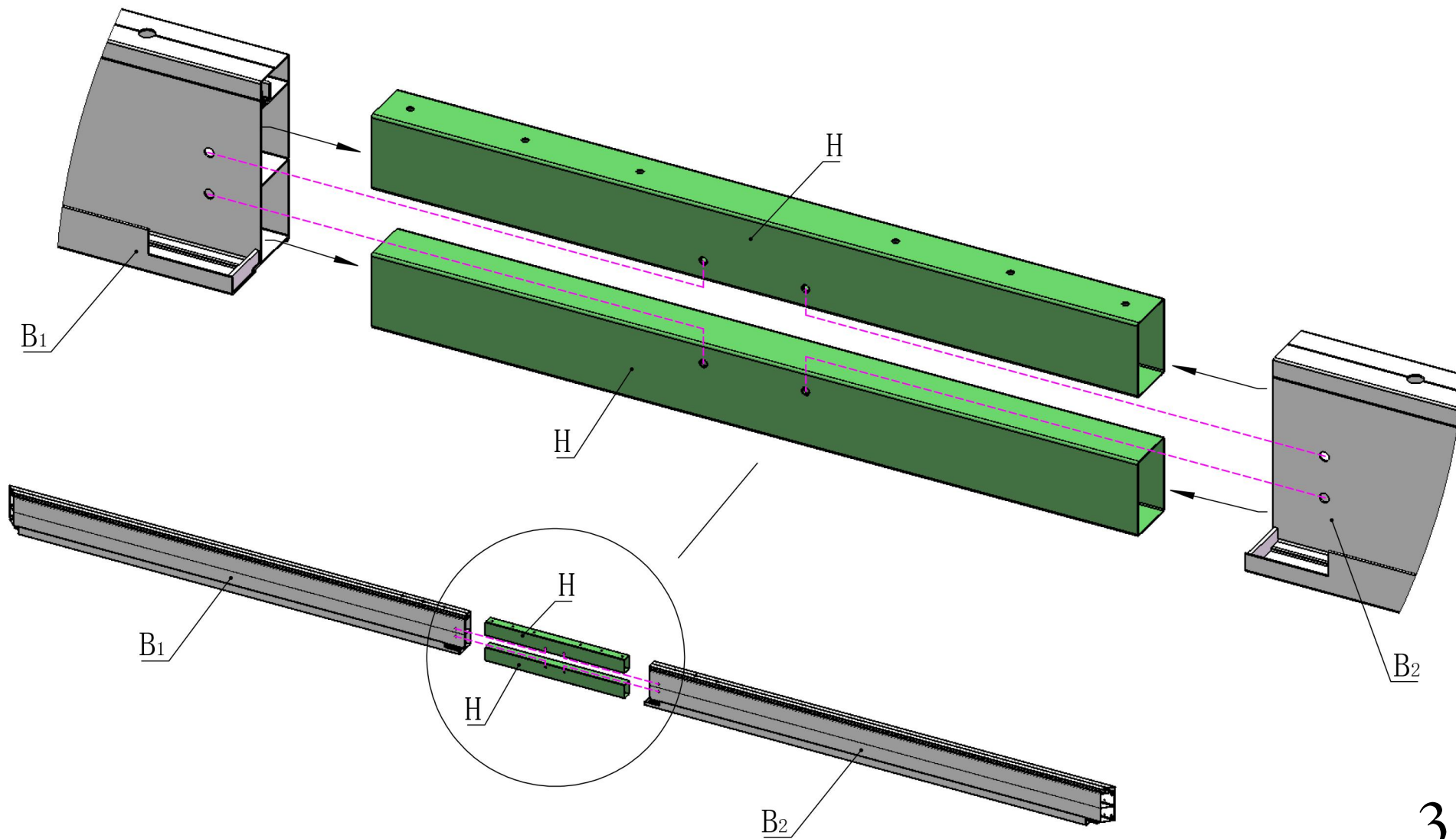
9# 6X

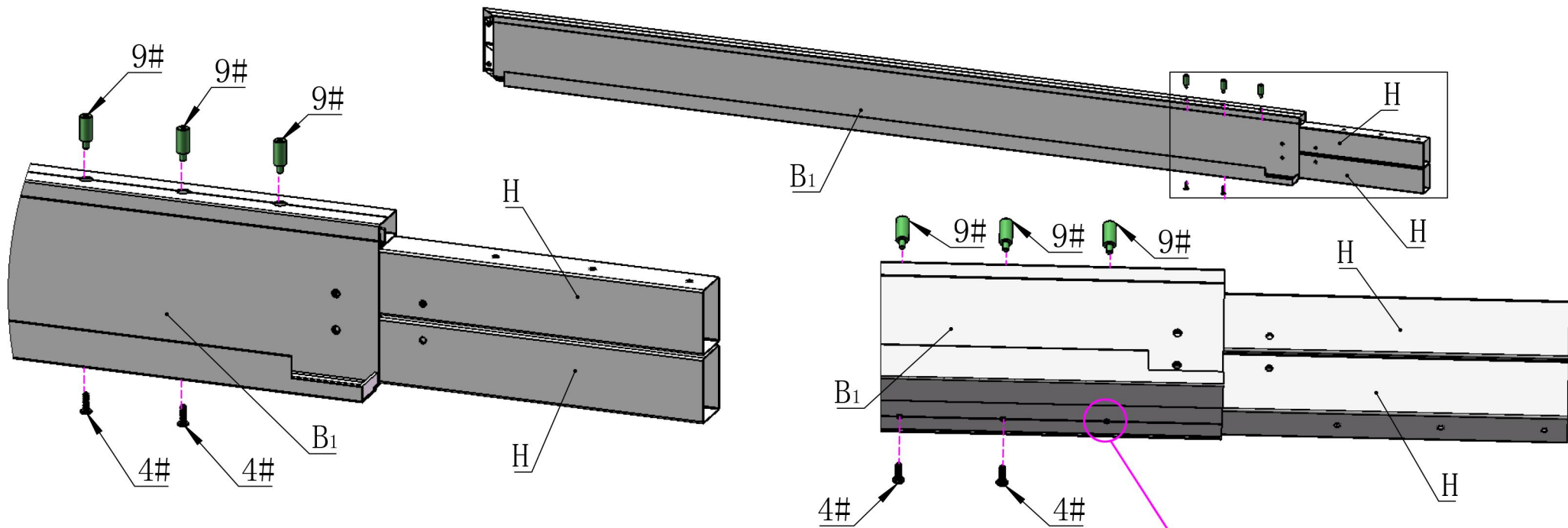


4# 4X

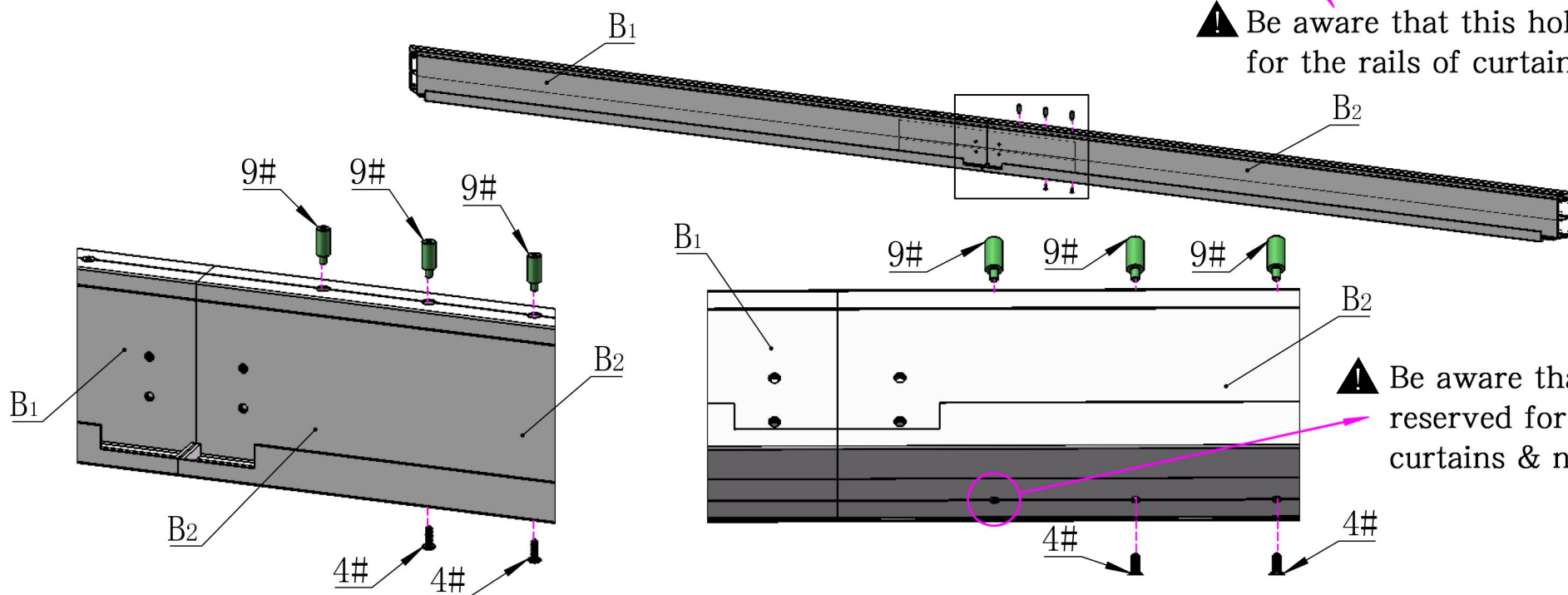


16# 1X

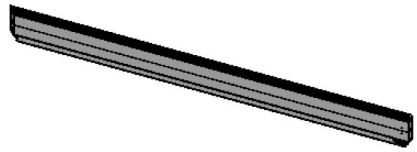




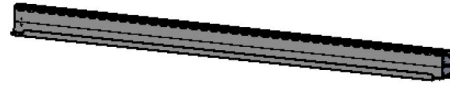
▲ Be aware that this hole is reserved for the rails of curtains & netting.



▲ Be aware that this hole is reserved for the rails of curtains & netting.



B3 1X



B4 1X



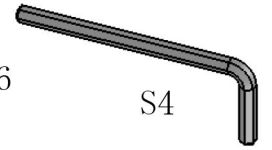
H 2X



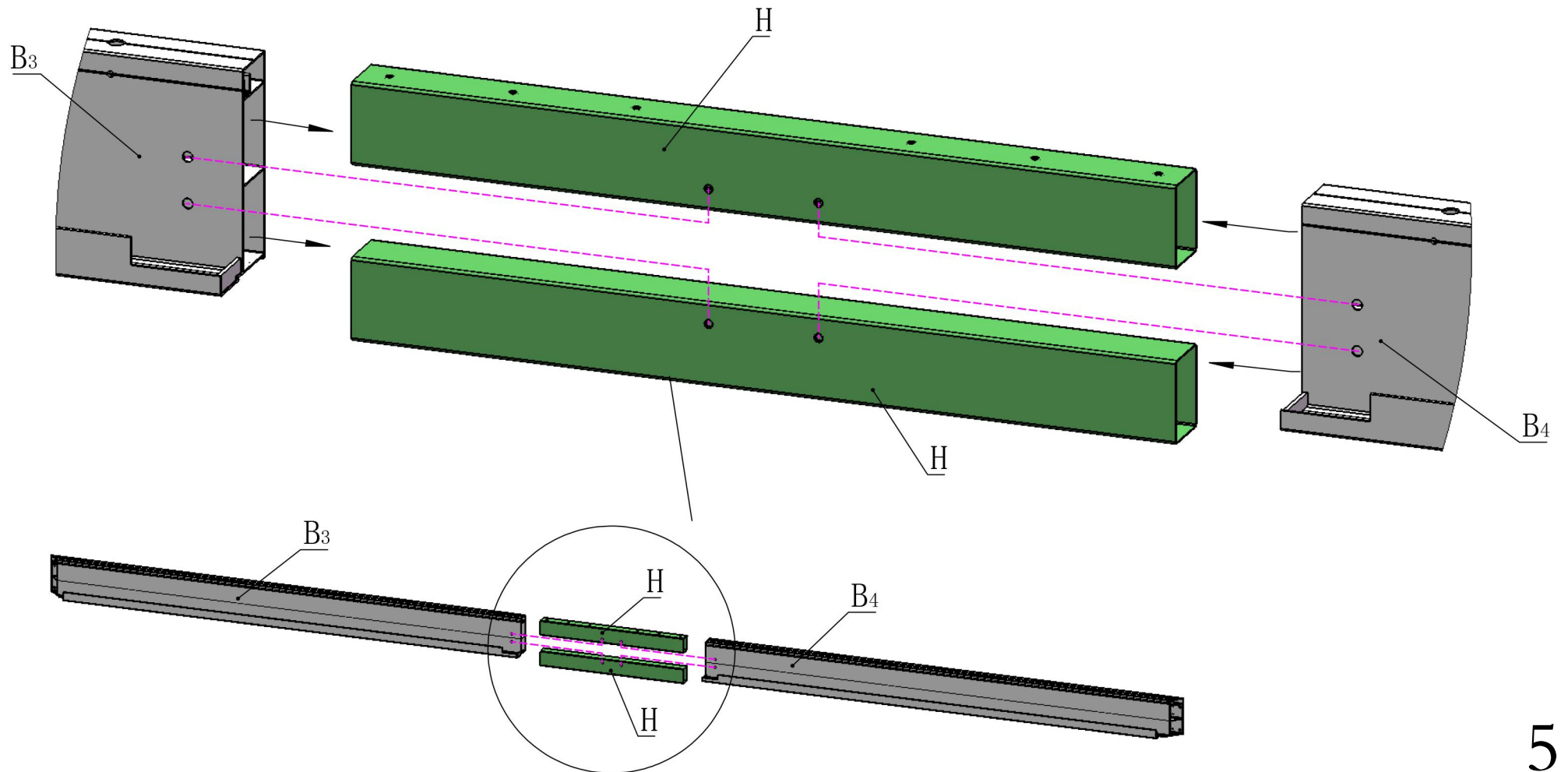
9# 6X

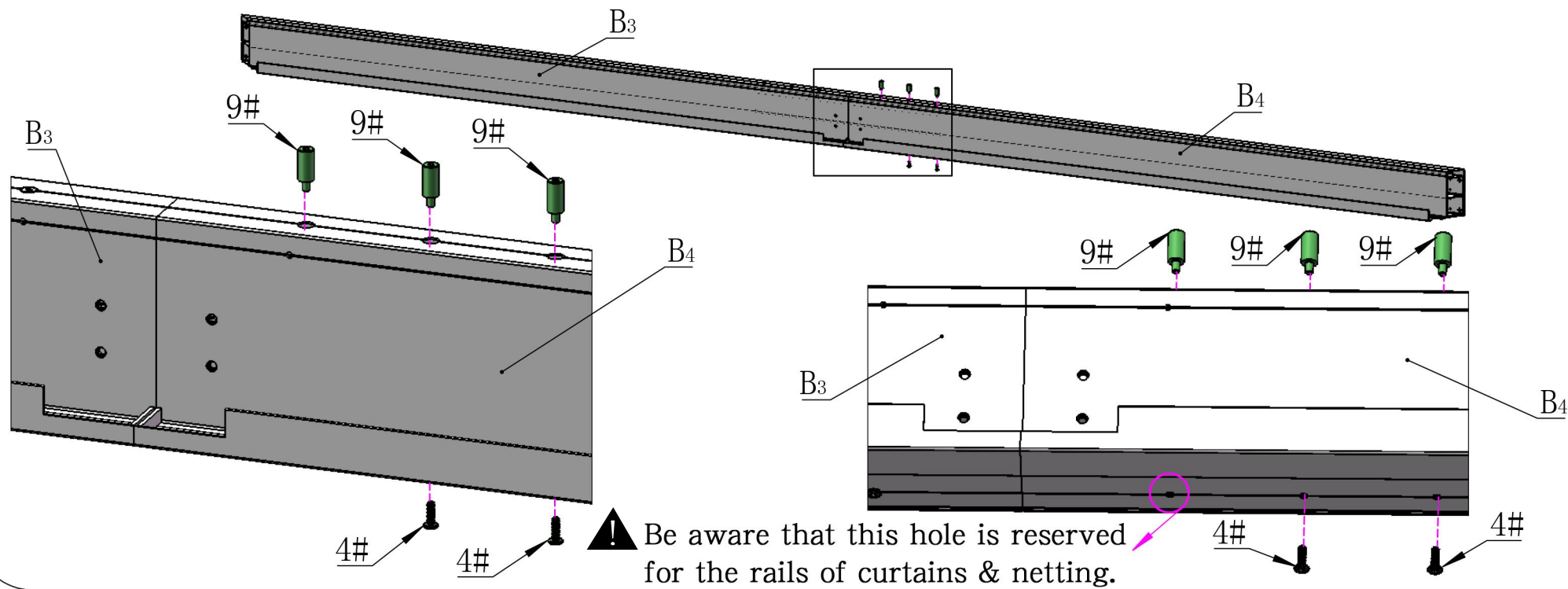
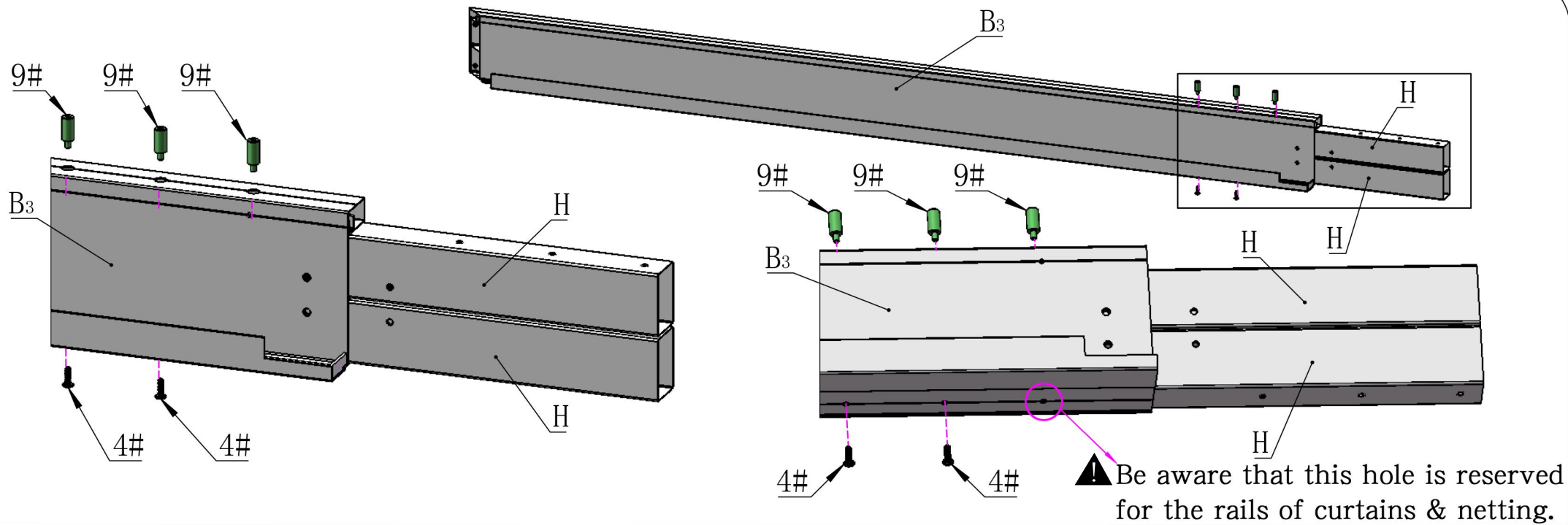


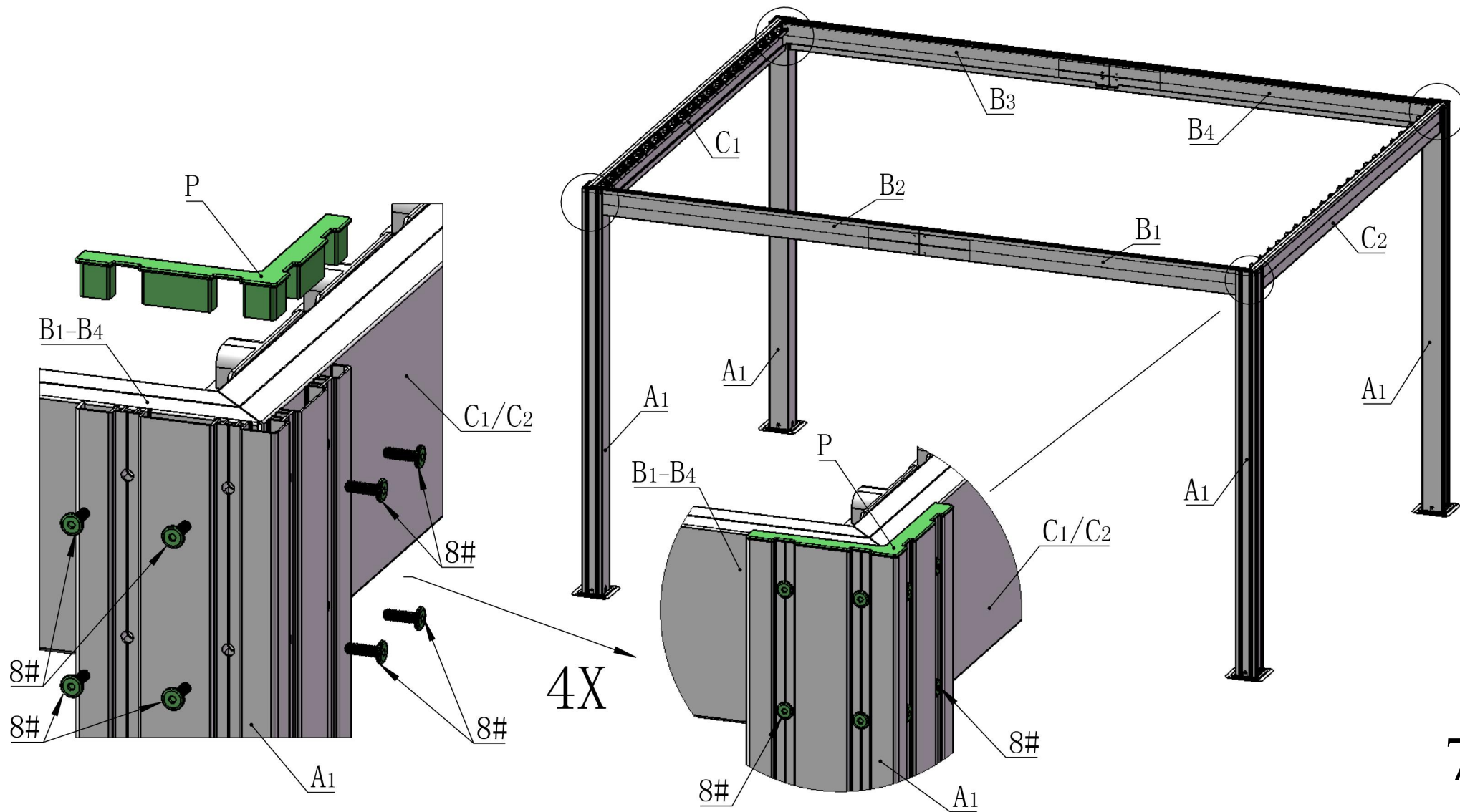
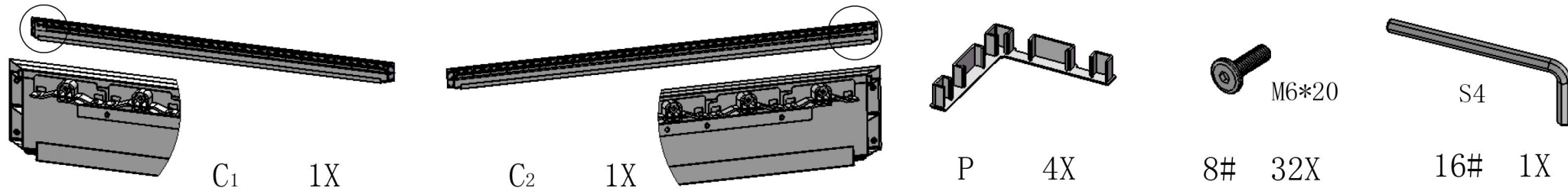
4# 4X



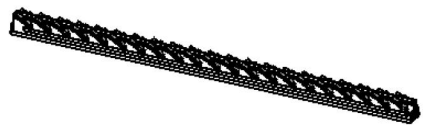
16# 1X



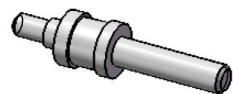








D 1X



1# 2X



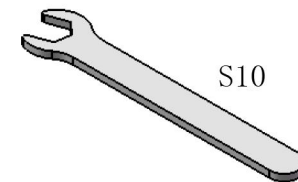
D18/d6.2\*h1.6

10# 2X



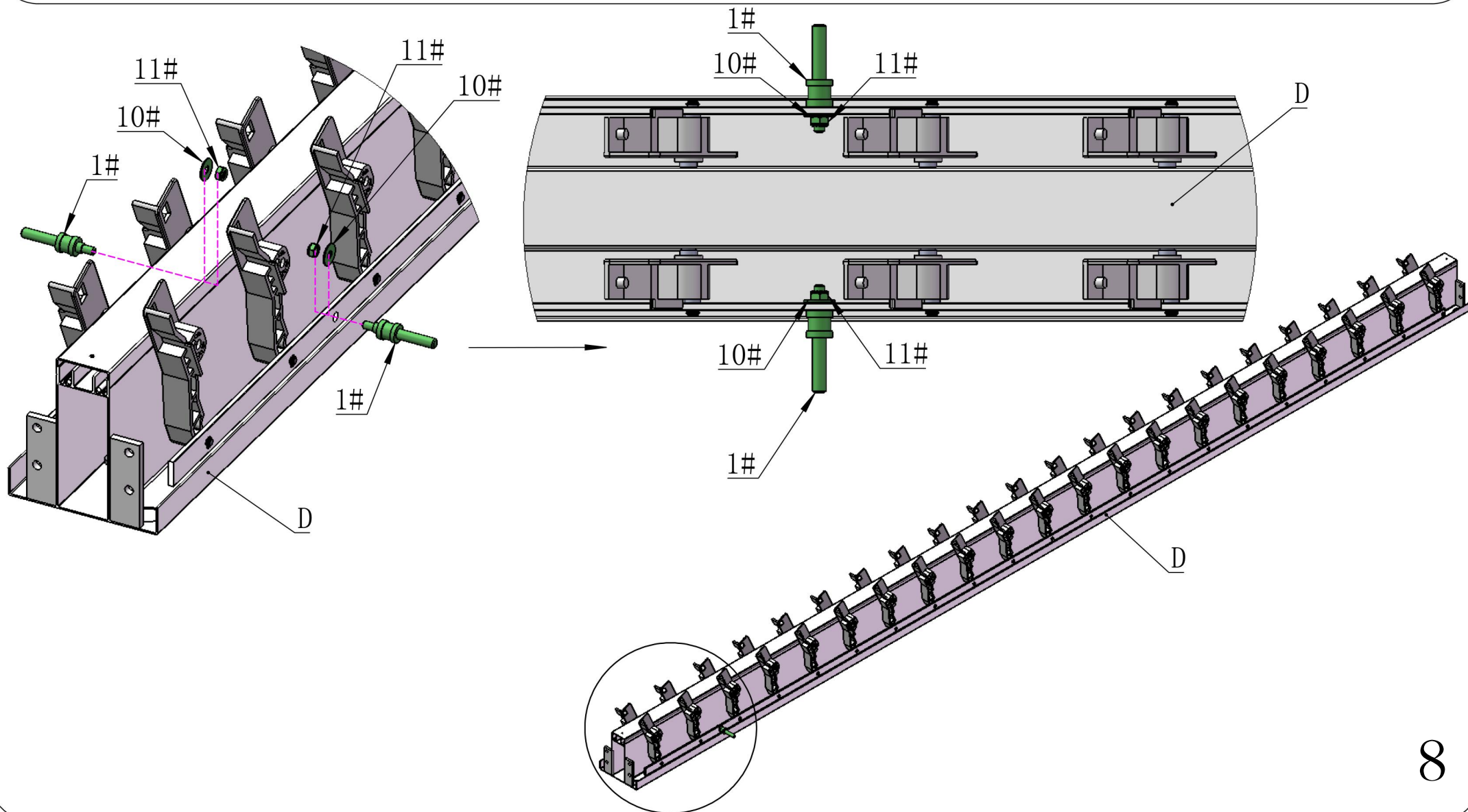
M6

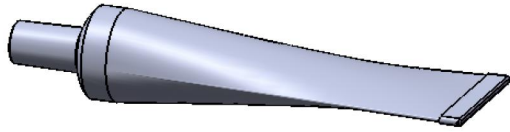
11# 2X



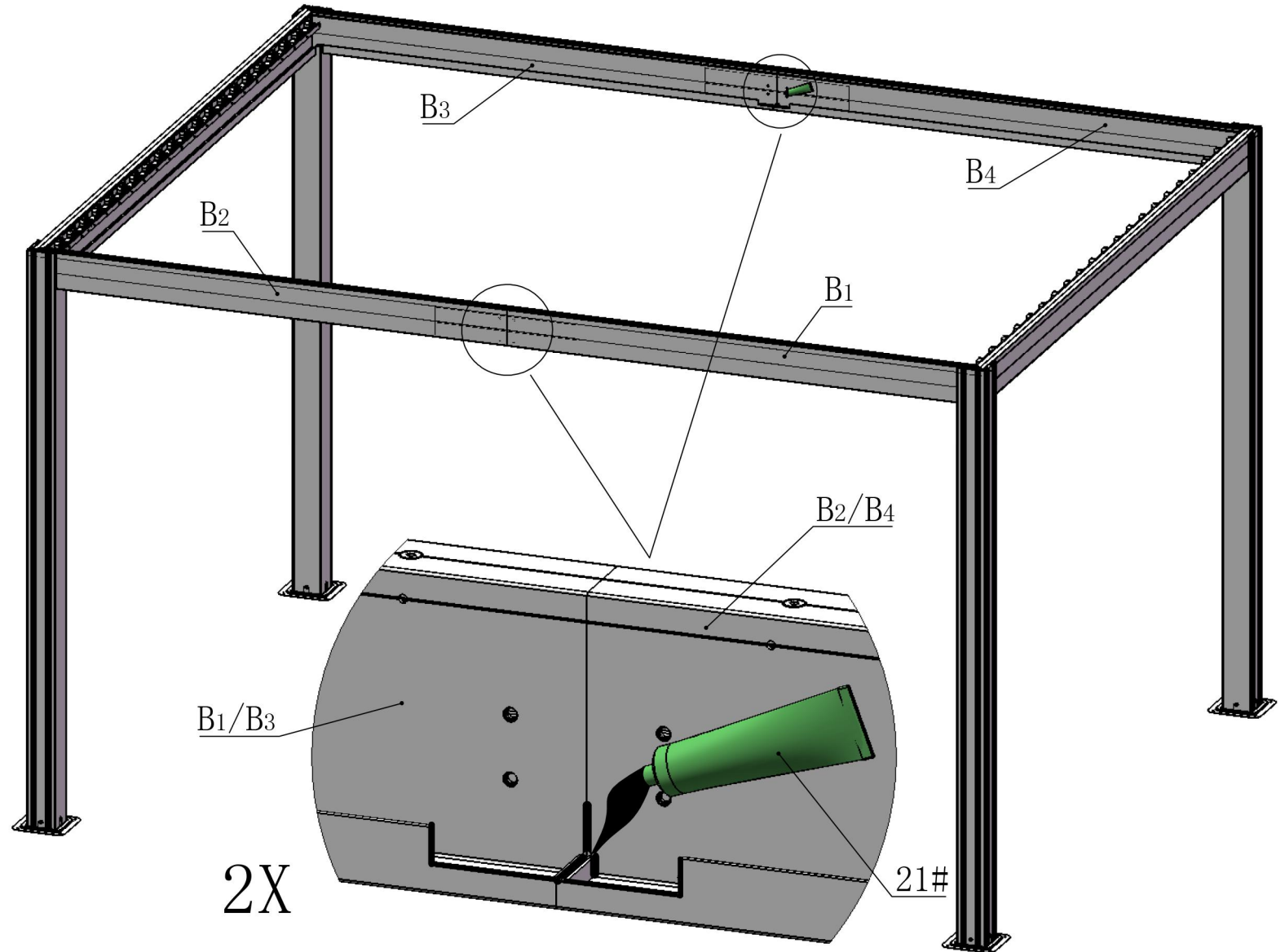
S10

17# 1X

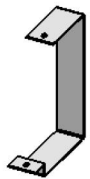




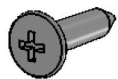
21# 1X





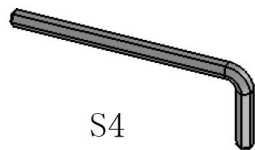


Y 2X



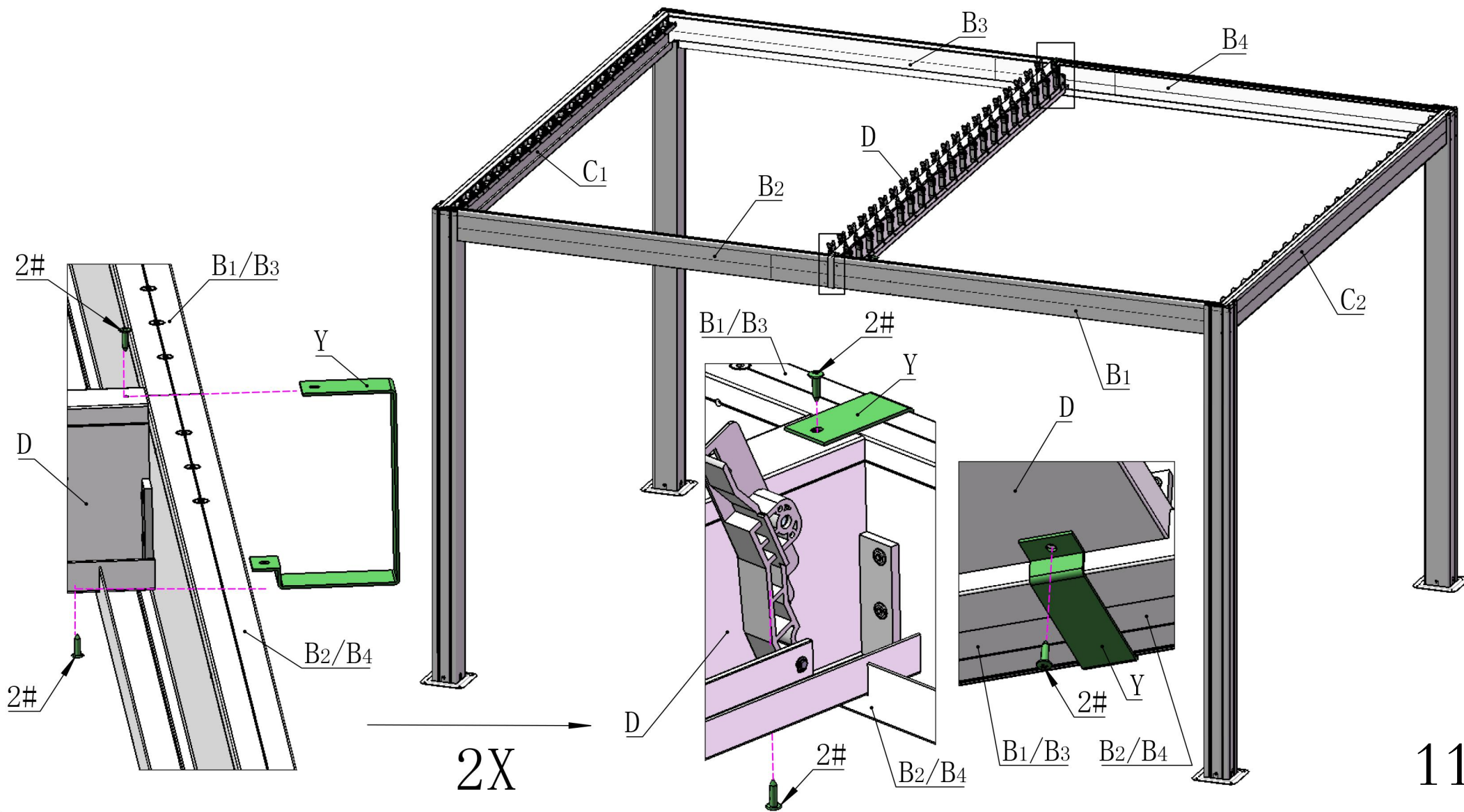
St4. 2\*16

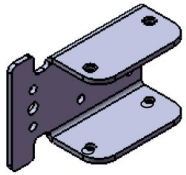
2# 4X



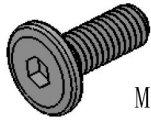
S4

16# 1X



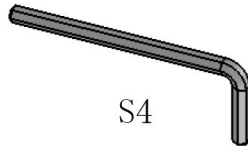


Z 1X



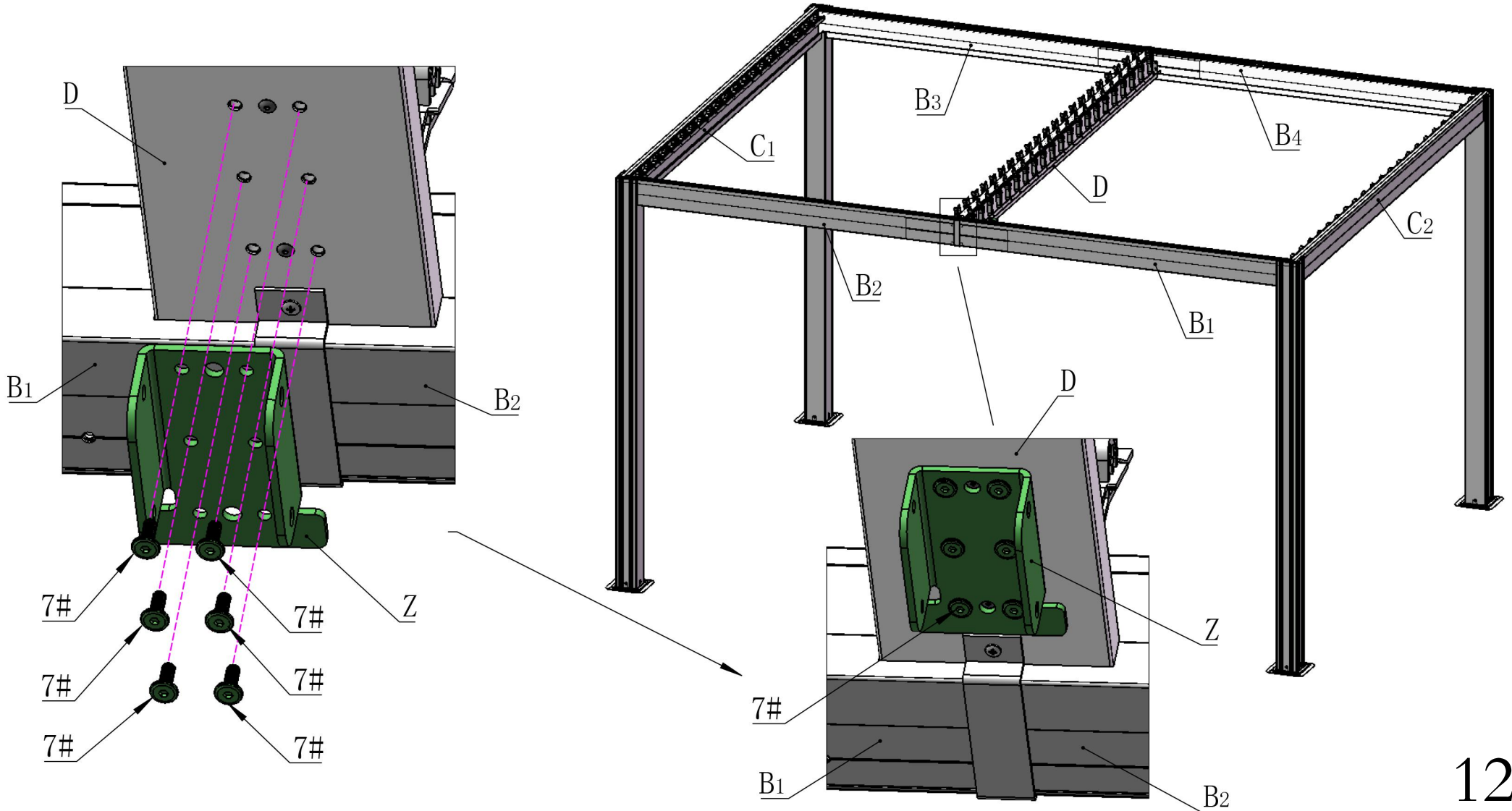
7# 6X

M6\*16



16# 1X

S4



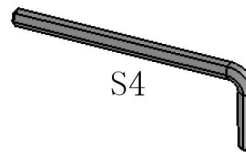


E 2X



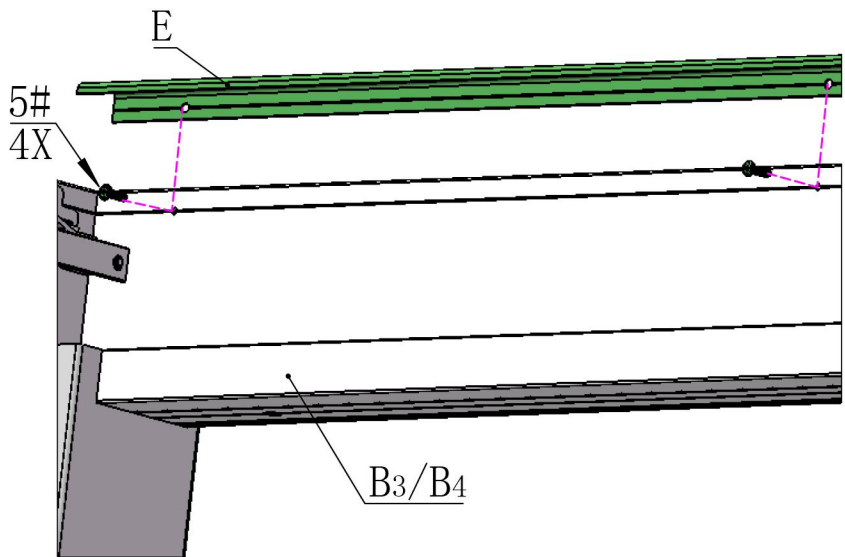
M5\*18

5# 8X

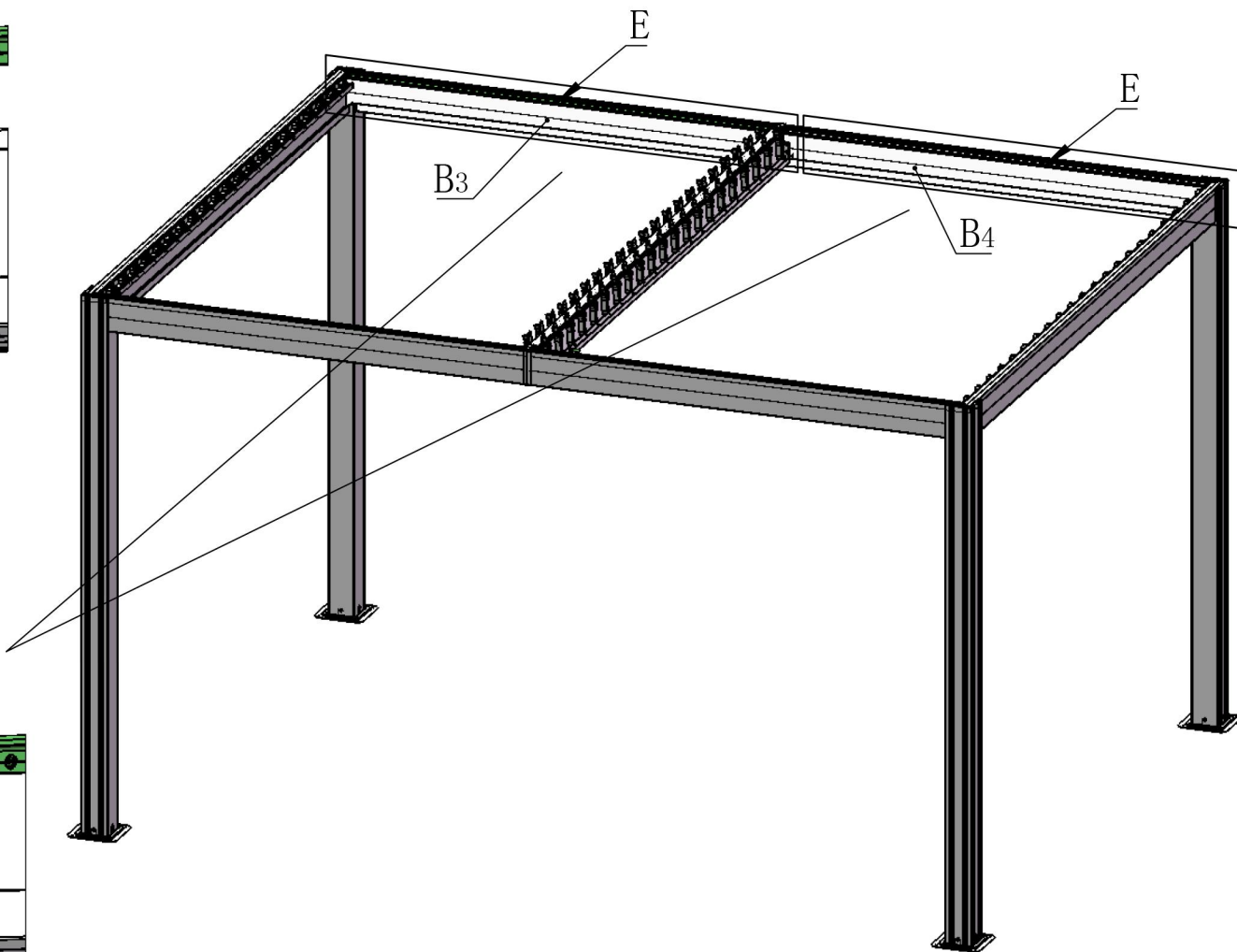
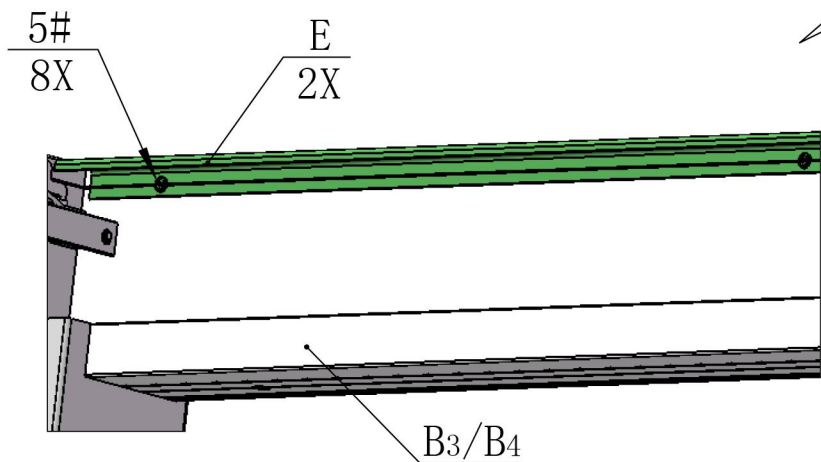


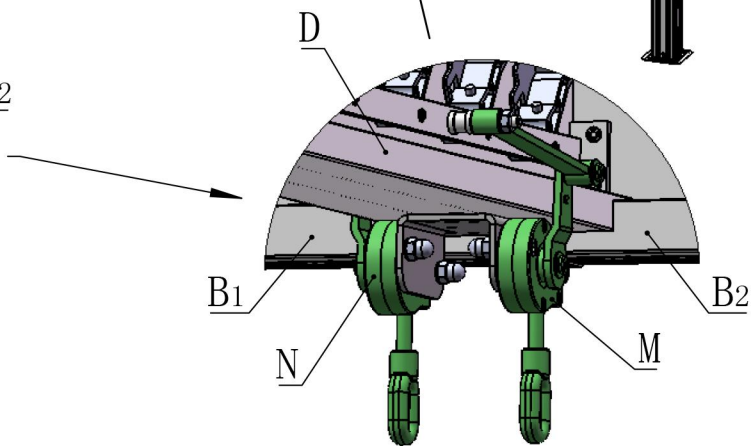
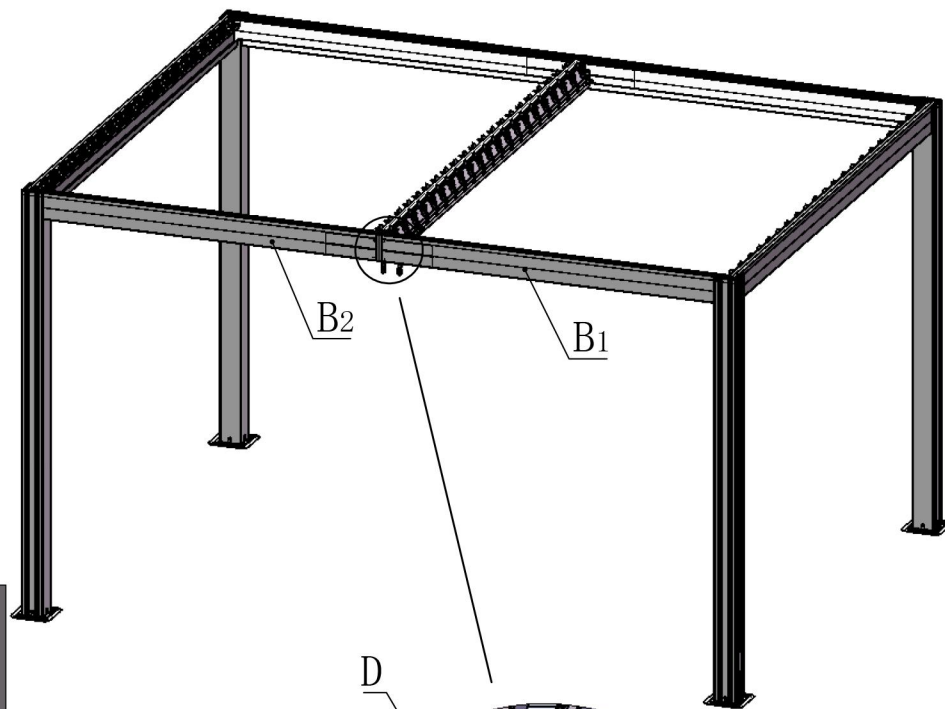
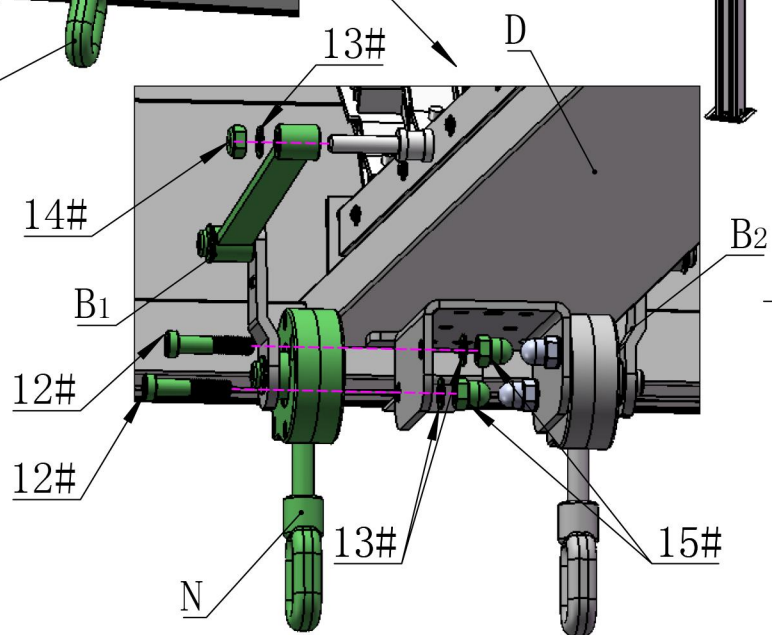
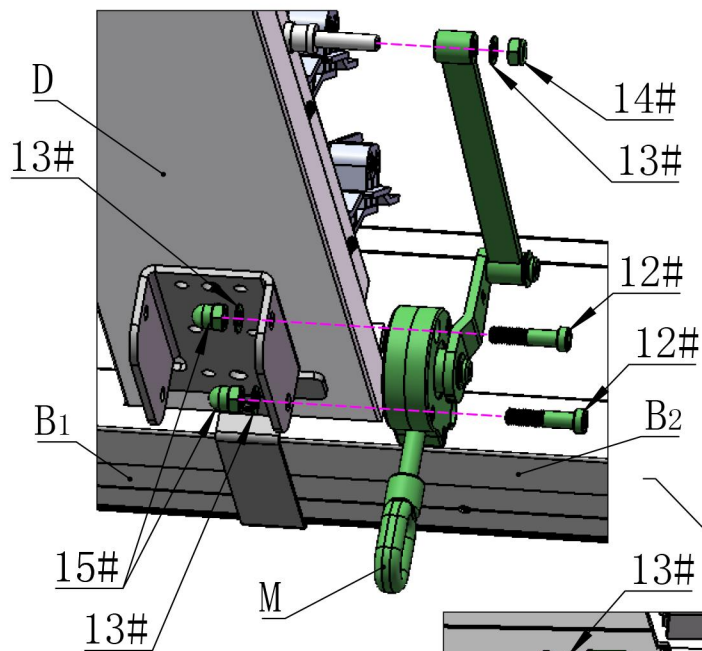
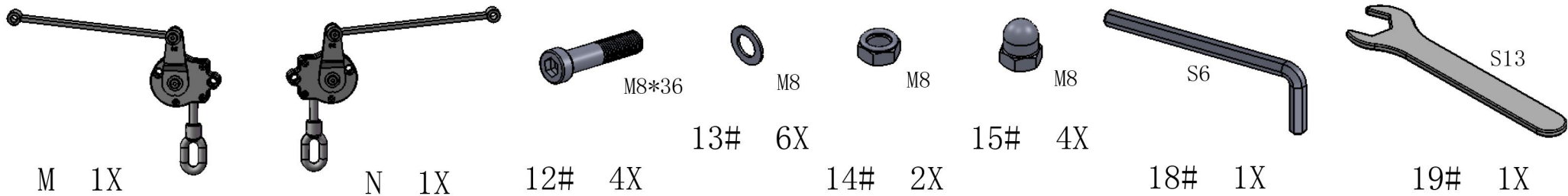
S4

16# 1X



2X





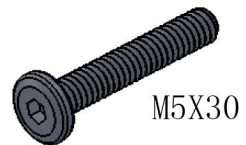
# STEP 2





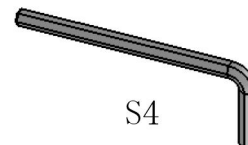


F1 2X



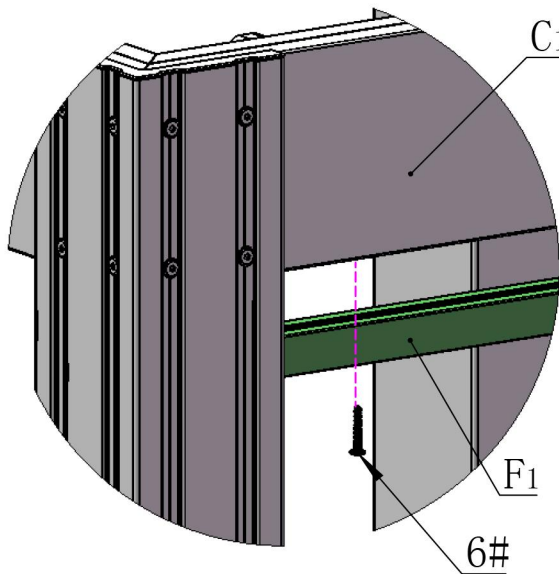
M5X30

6# 12X



S4

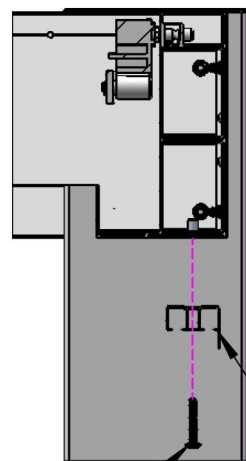
16# 1X



C1/C2

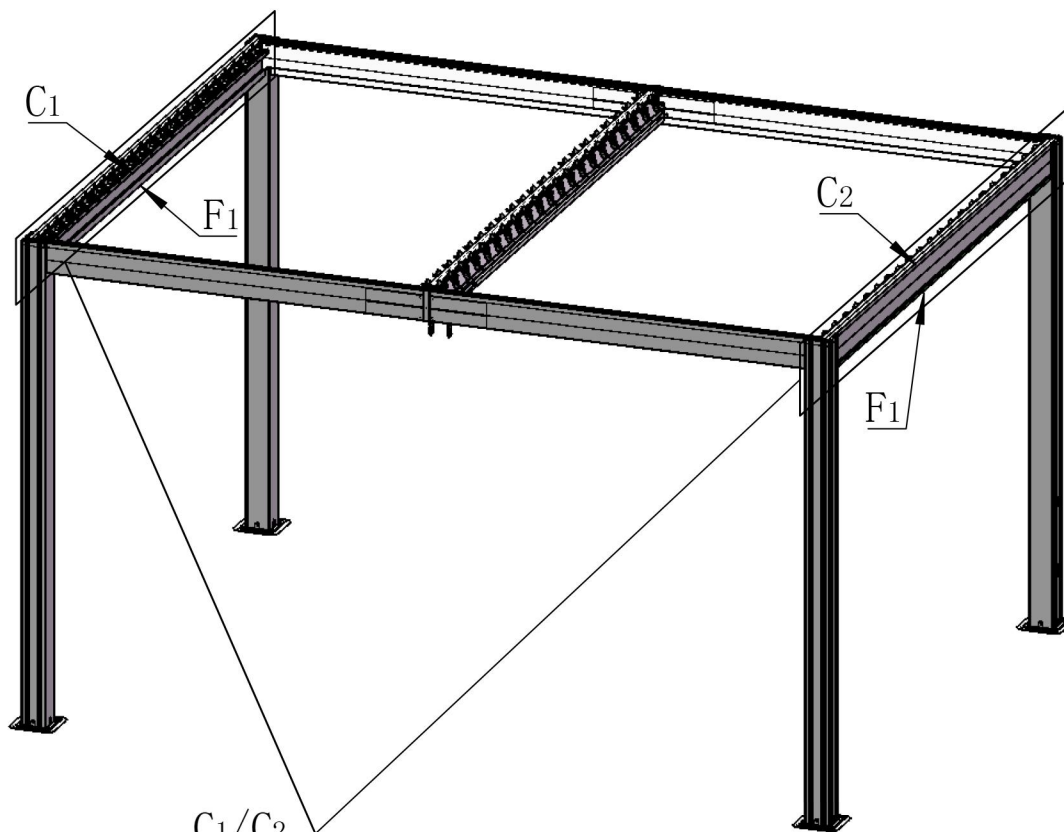
6#

F1



6#  
12X

F1  
2X

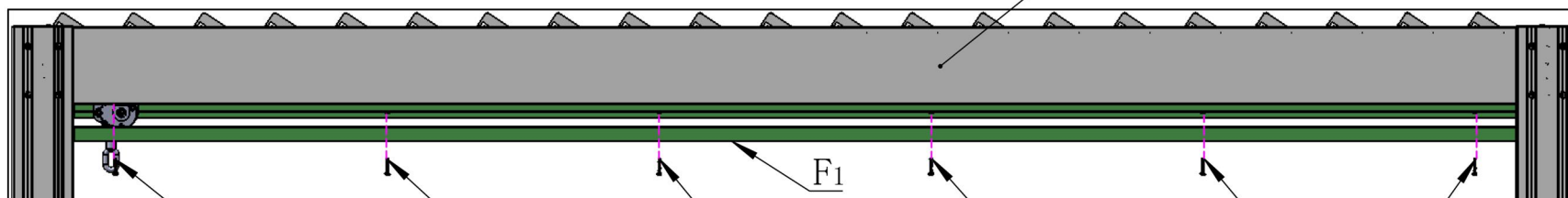


C1

F1

C2

F1



C1/C2

F1

6#

6#

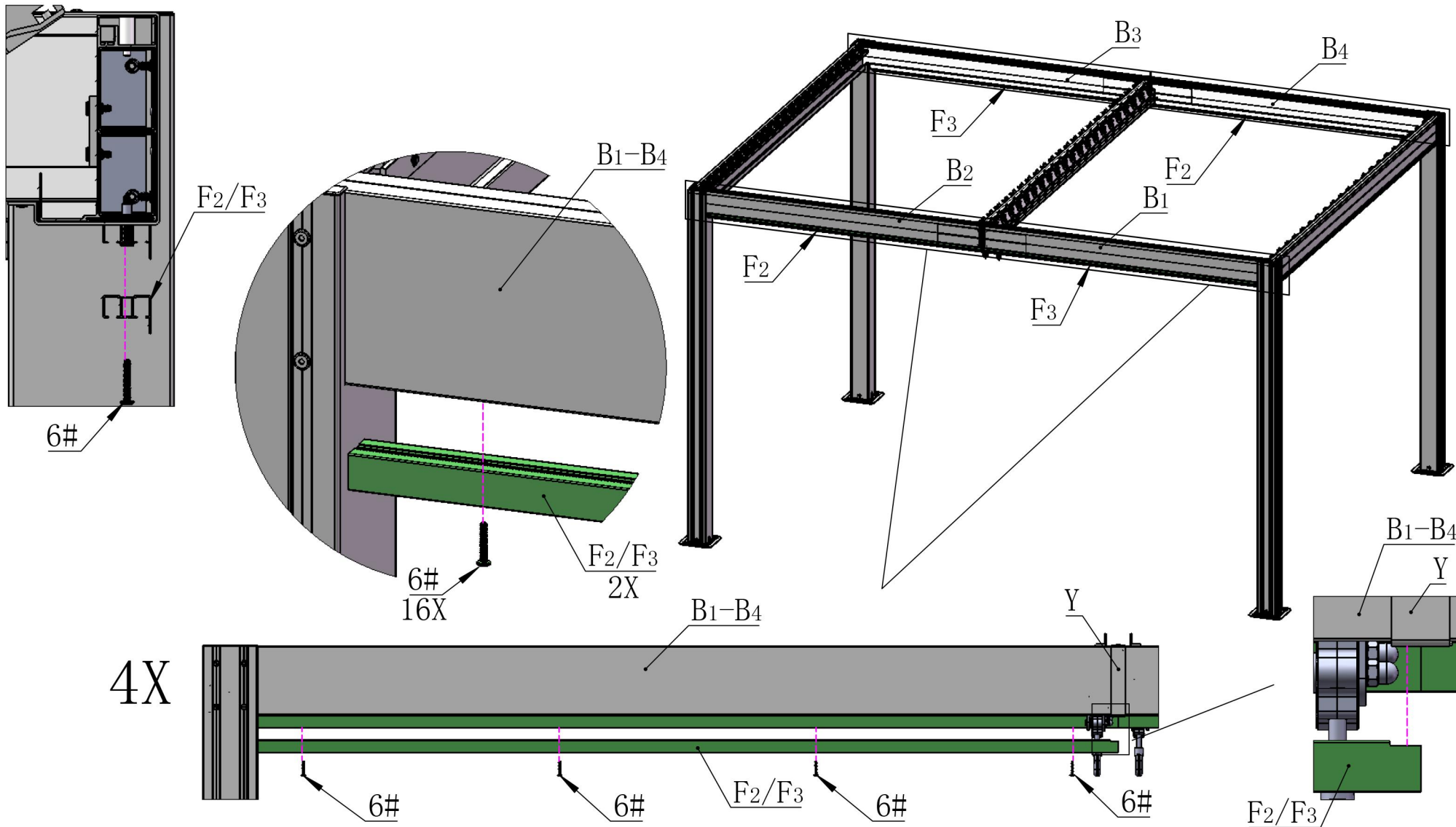
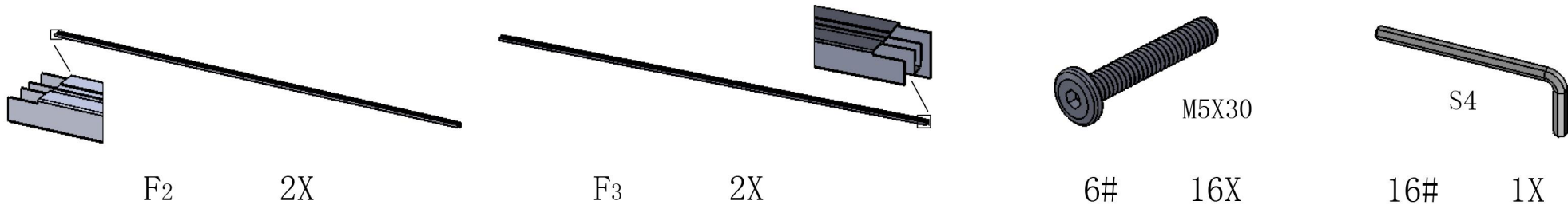
6#

6#

6#

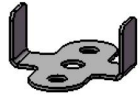
6#

2X

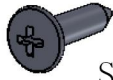




S 24X

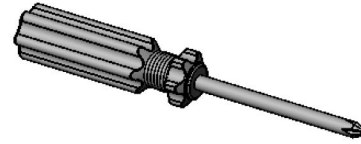


T 2X

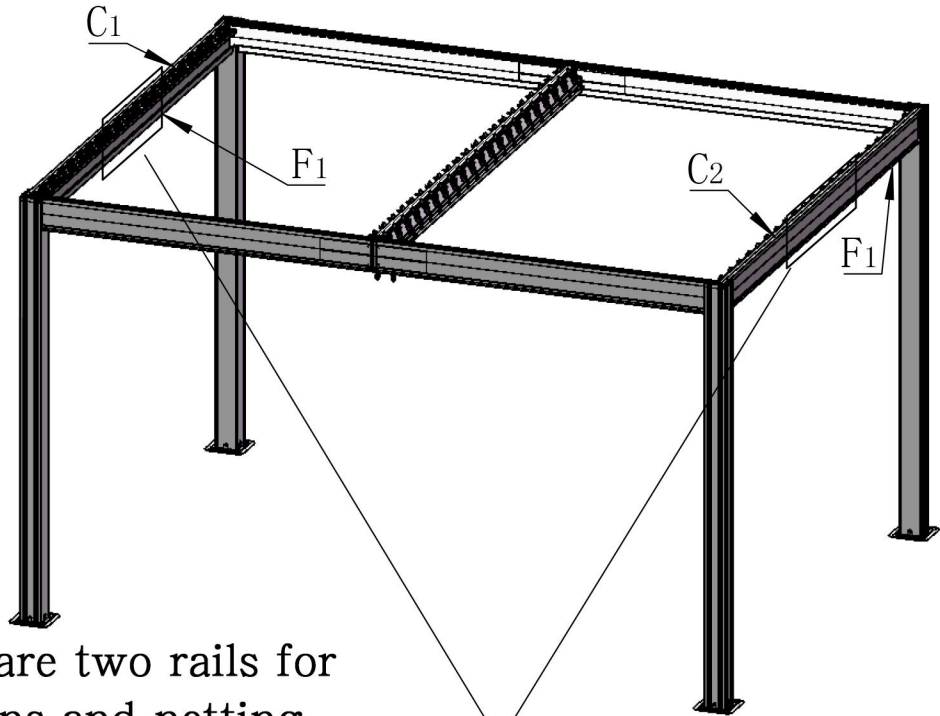
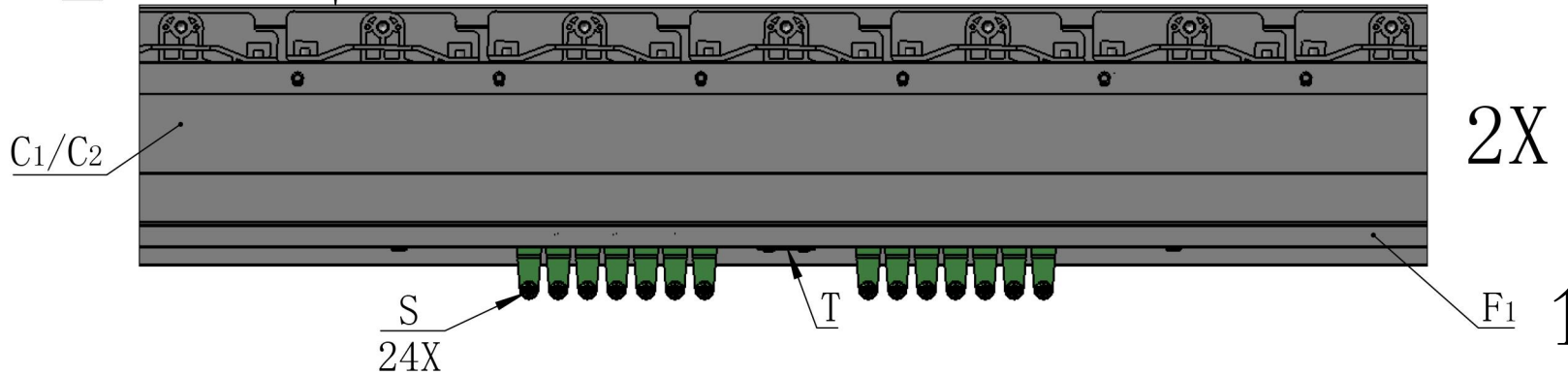
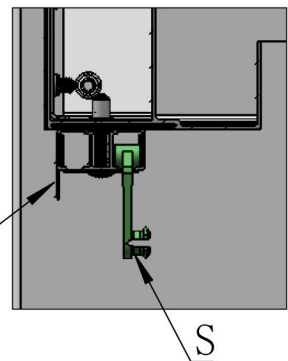
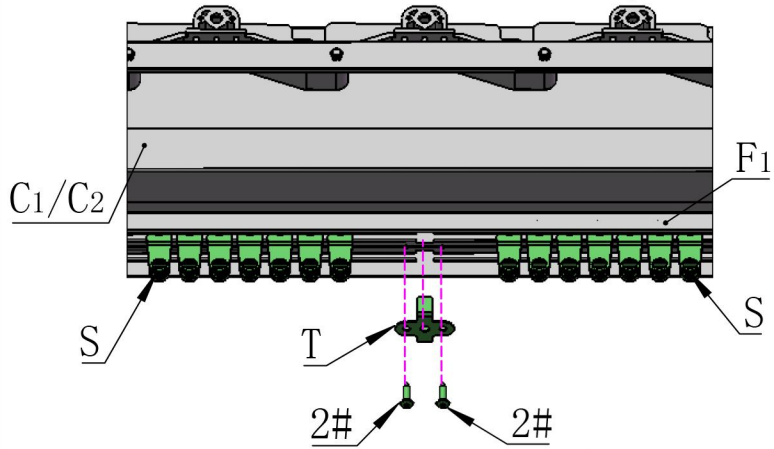
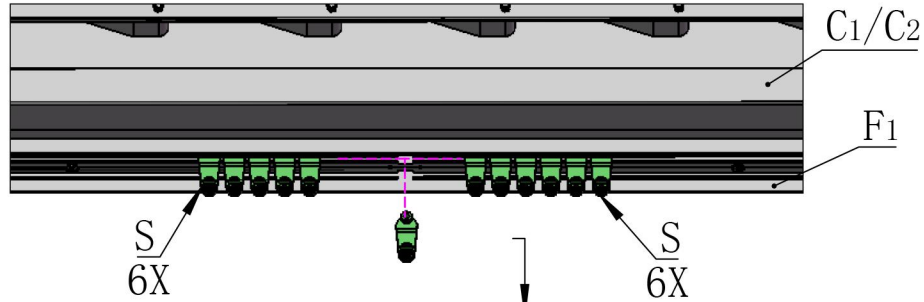


2# 4X

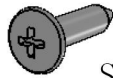
ST4. 2\*16



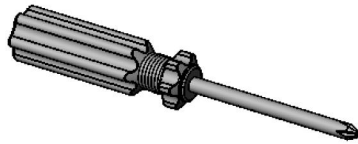
20# 1X



! Here are two rails for curtains and netting.

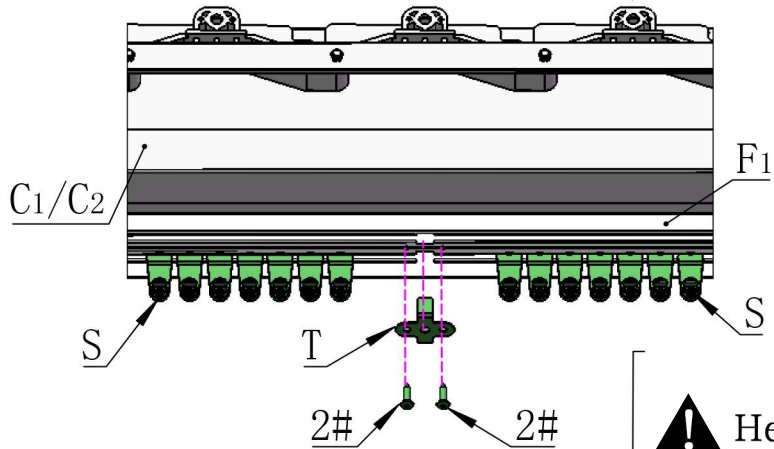
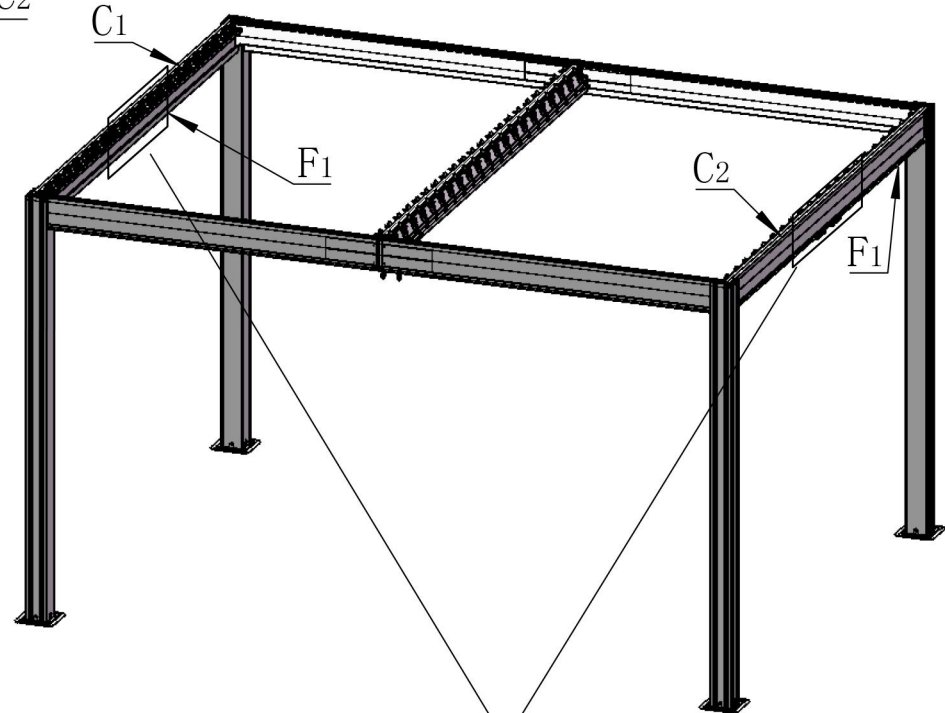
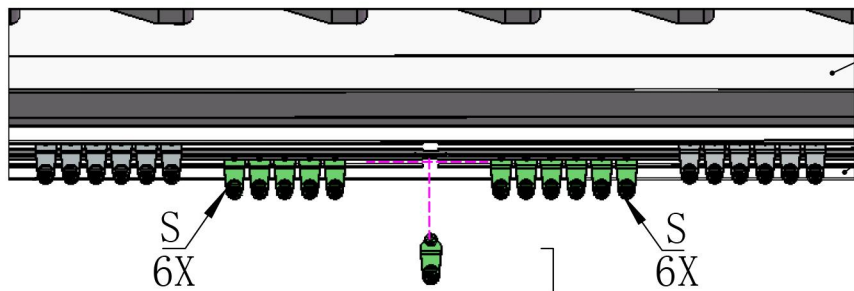


ST4. 2\*16

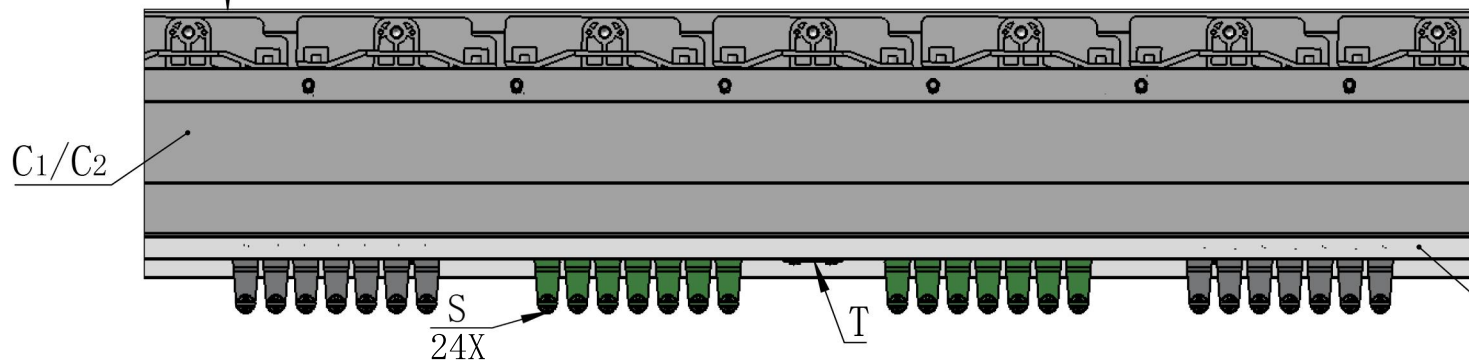
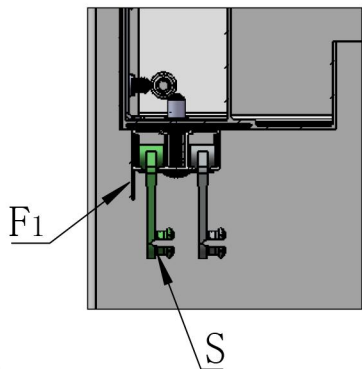


**ATTENTION: Please remove Part #T before assembling hooks!**

S 24X T 2X 2# 4X 20# 1X



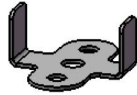
! Here are two rails for curtains and netting.



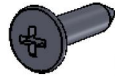
2X



S 32X

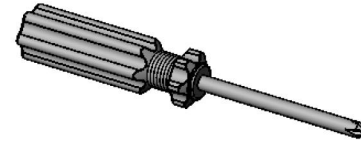


T 2X

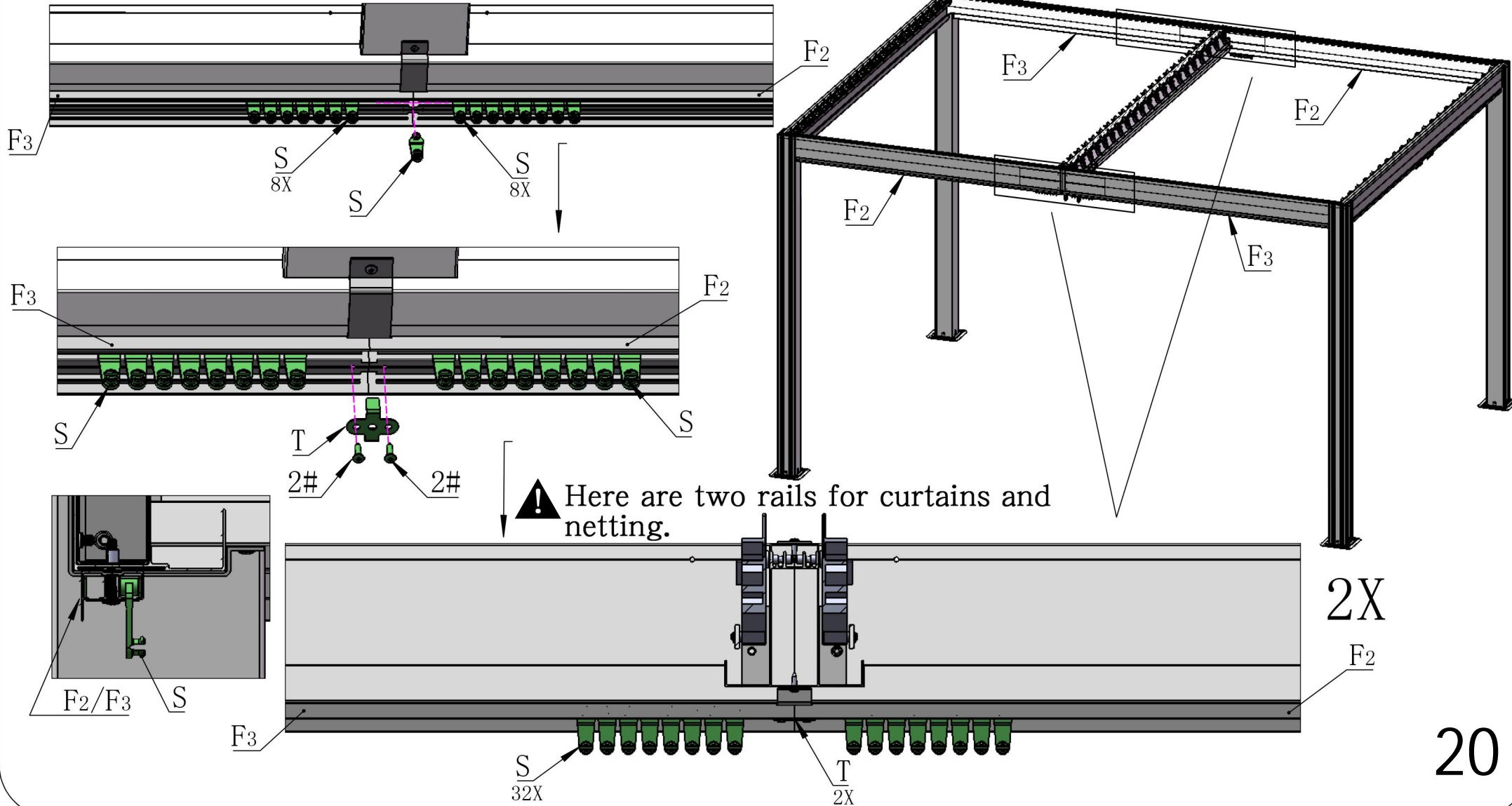


2# 4X

ST4. 2\*16



20# 1X

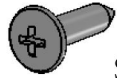




S



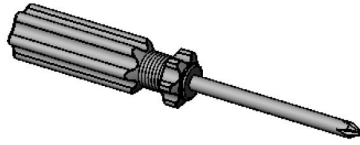
T



2#

ST4. 2\*16

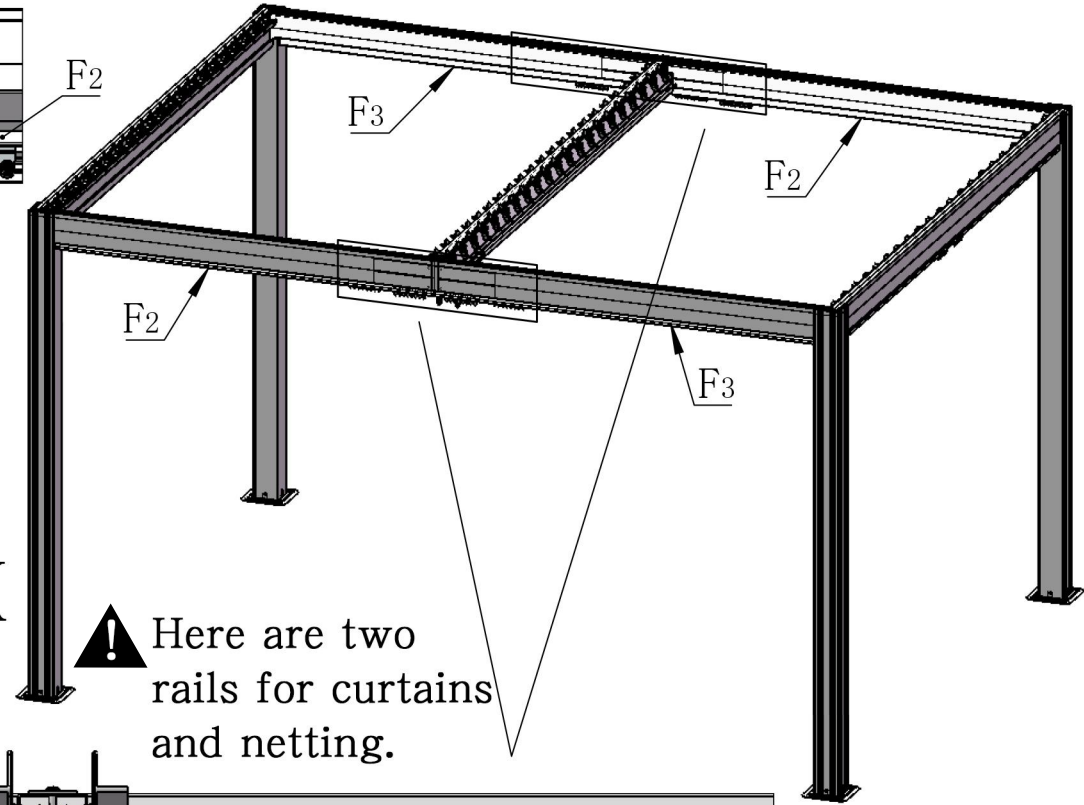
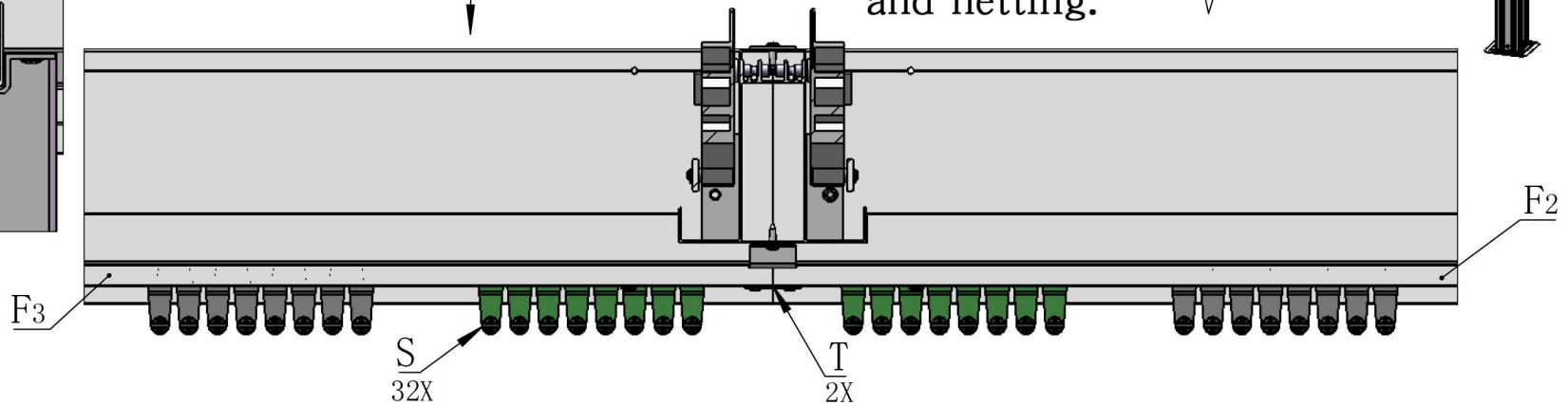
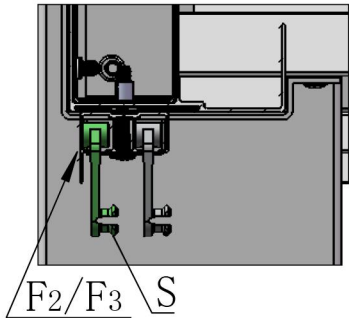
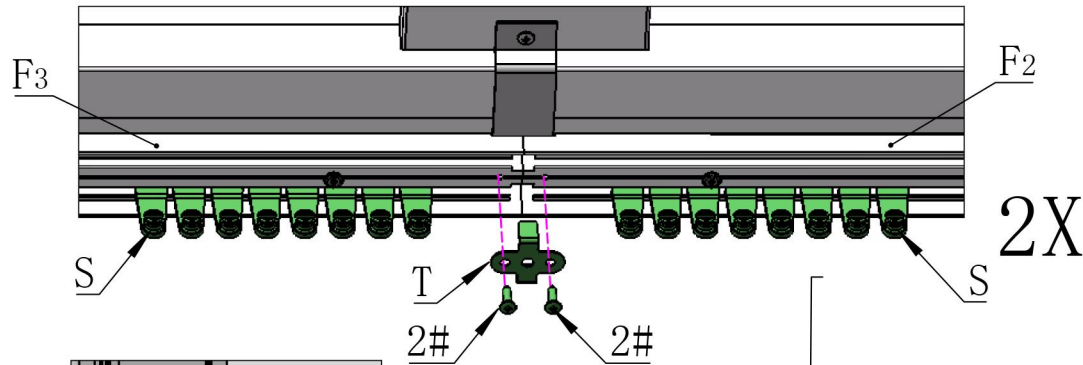
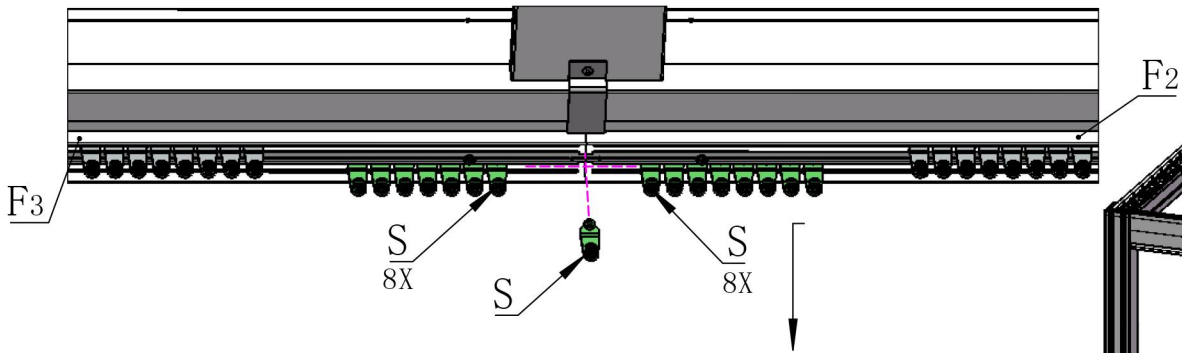
4X



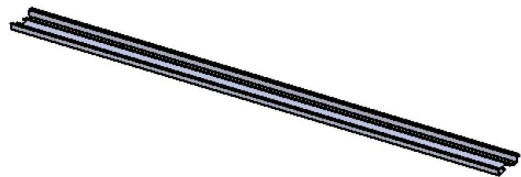
20#

1X

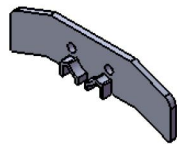
**ATTENTION: Please remove Part #T before assembling hooks!**



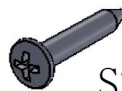
**!** Here are two rails for curtains and netting.



G 42X

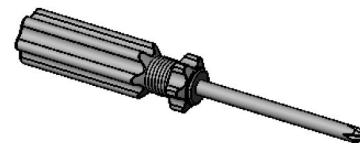


R 84X

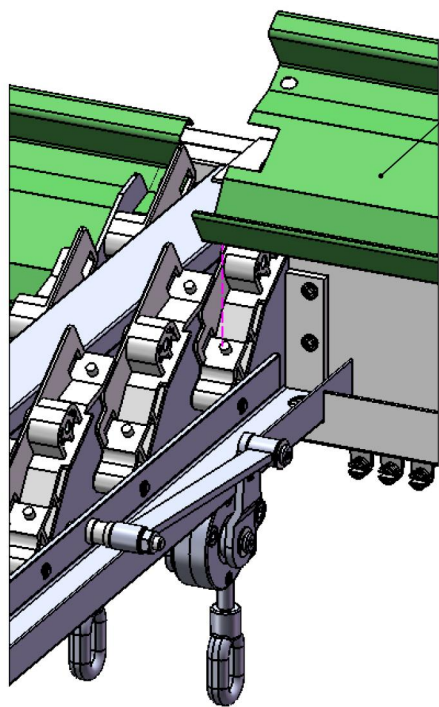


ST3. 5\*19

3# 168X



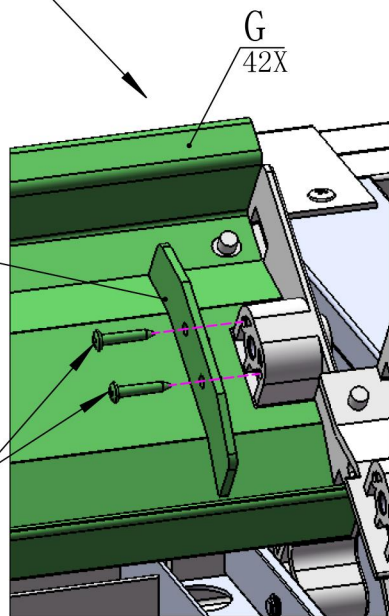
20# 1X



G 42X

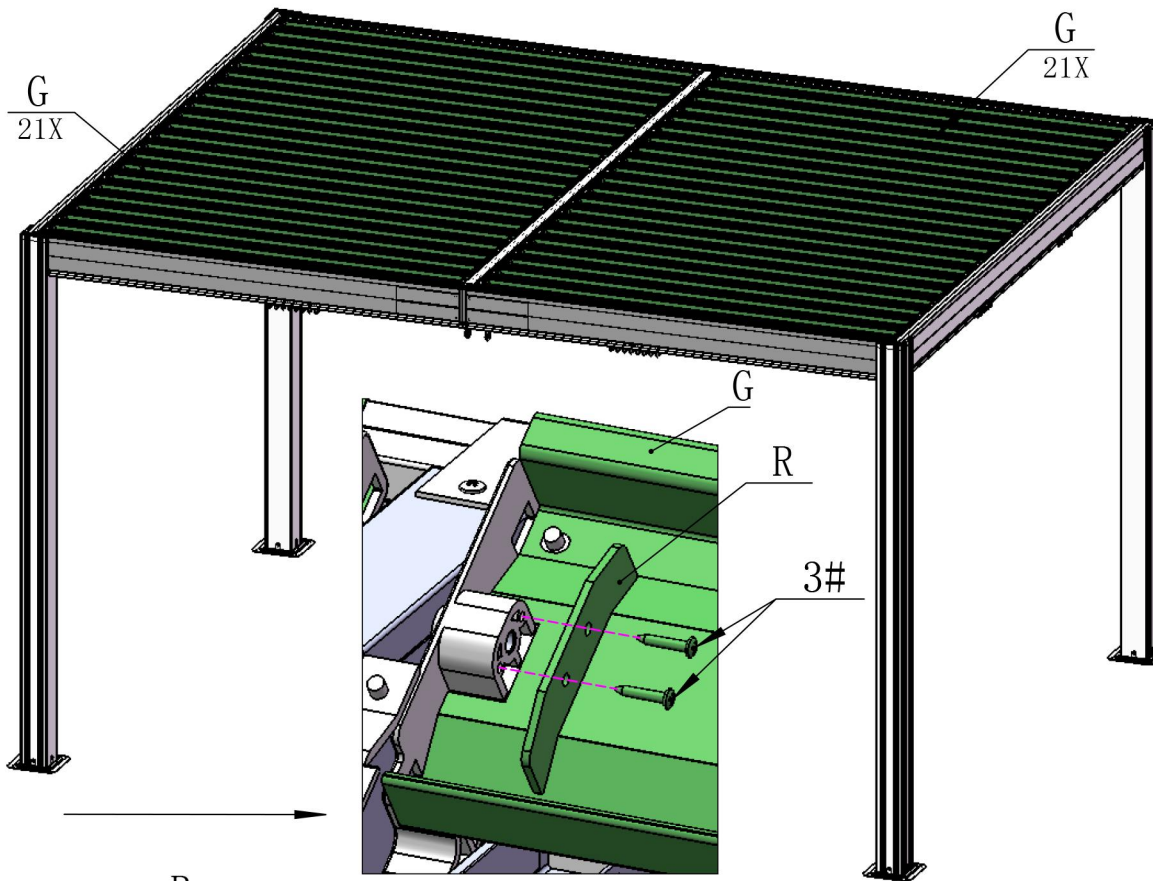
R 84X

3# 168X



G 42X

G 21X



G 21X

G

R

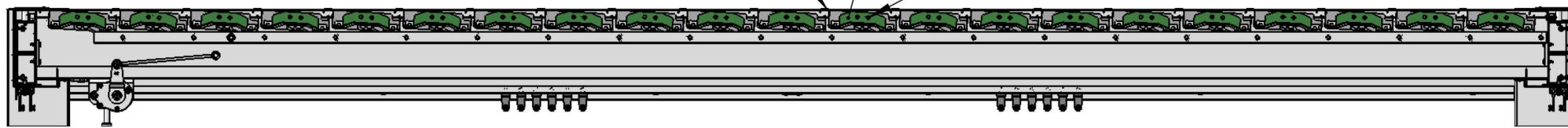
3#

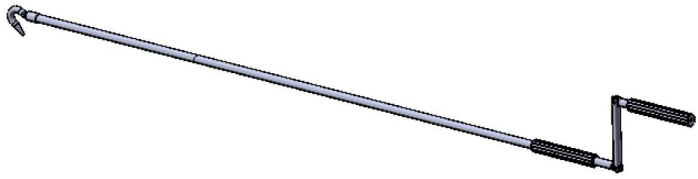
G 42X

R 84X

3# 168X

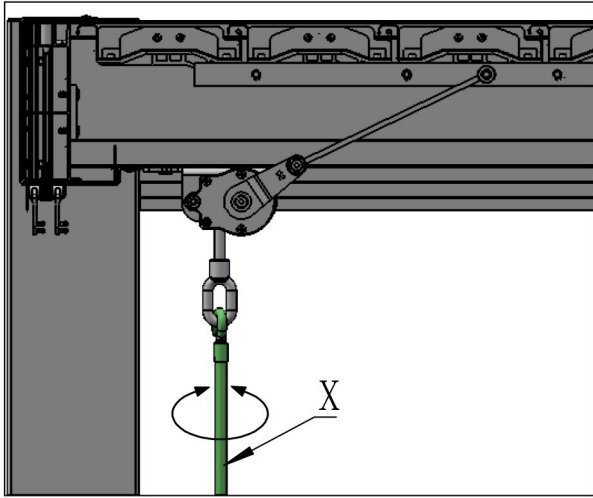
2X



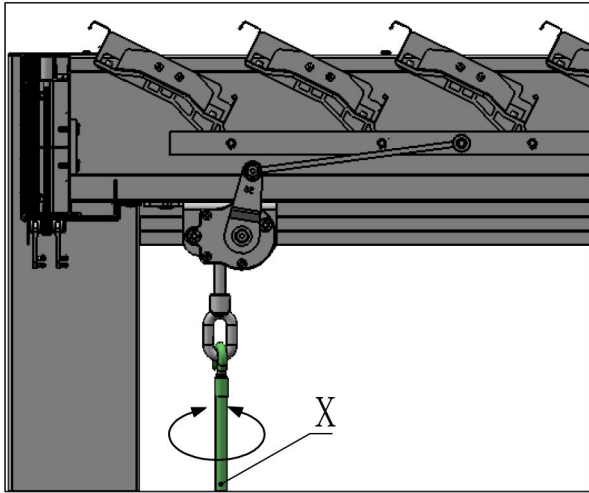


X

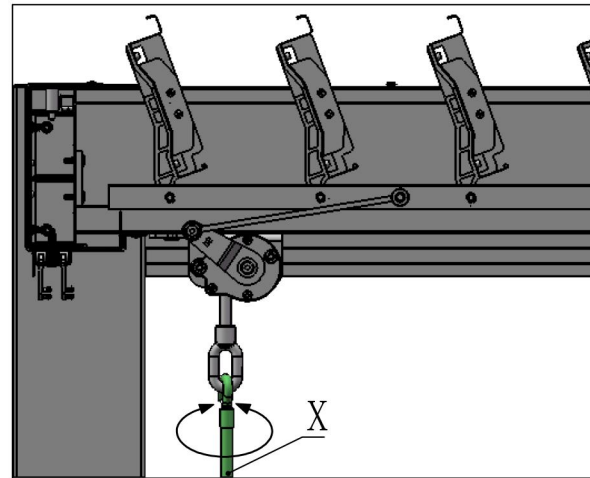
1X



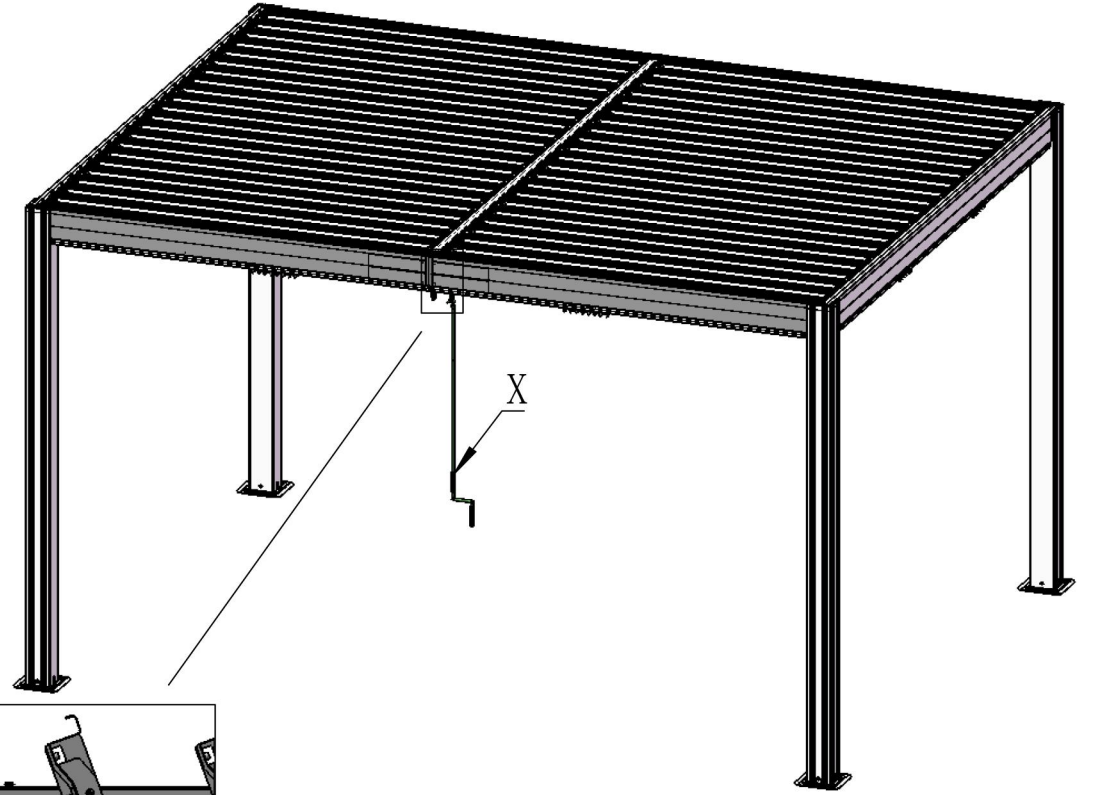
X



X



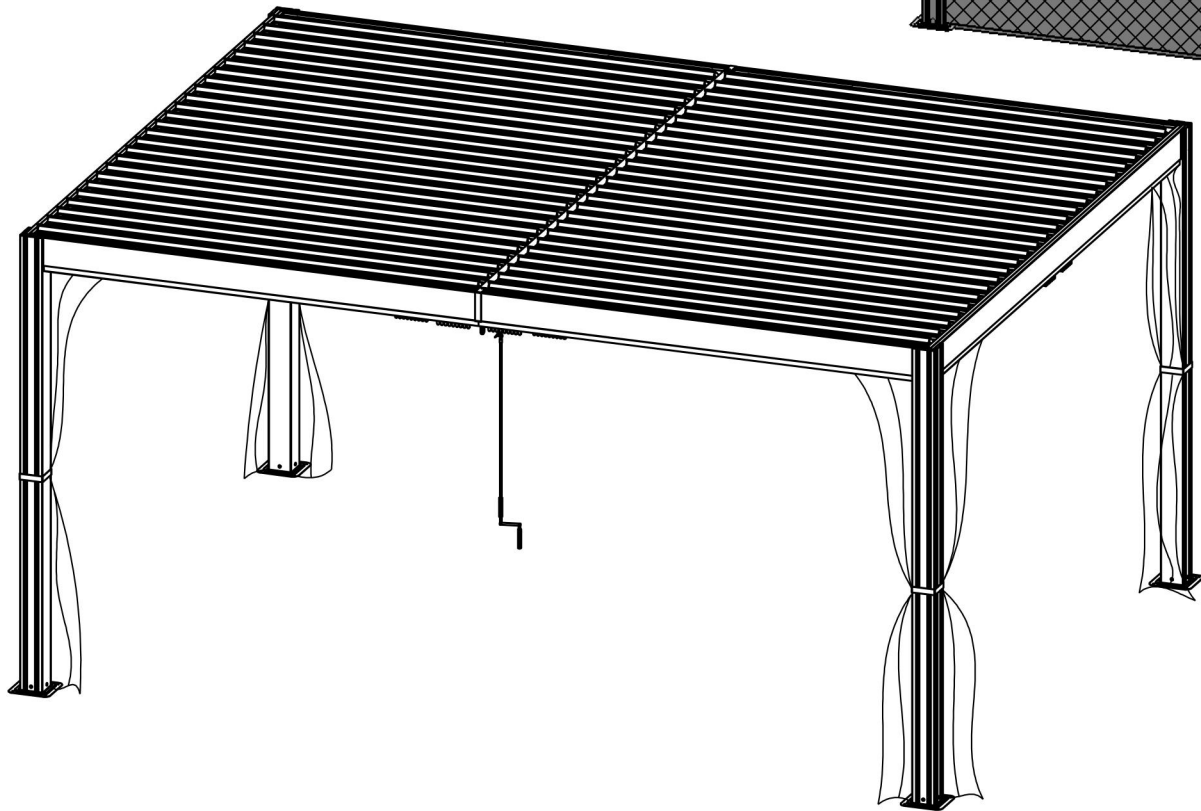
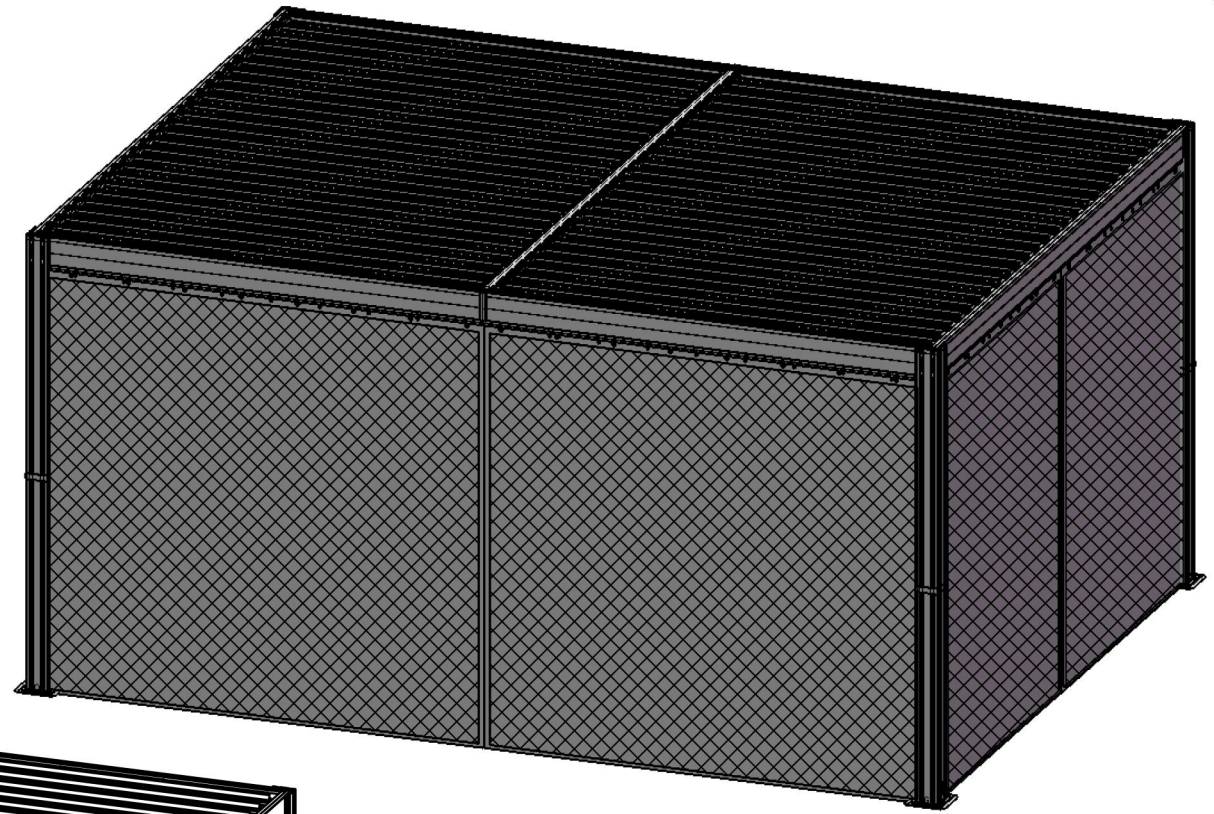
X

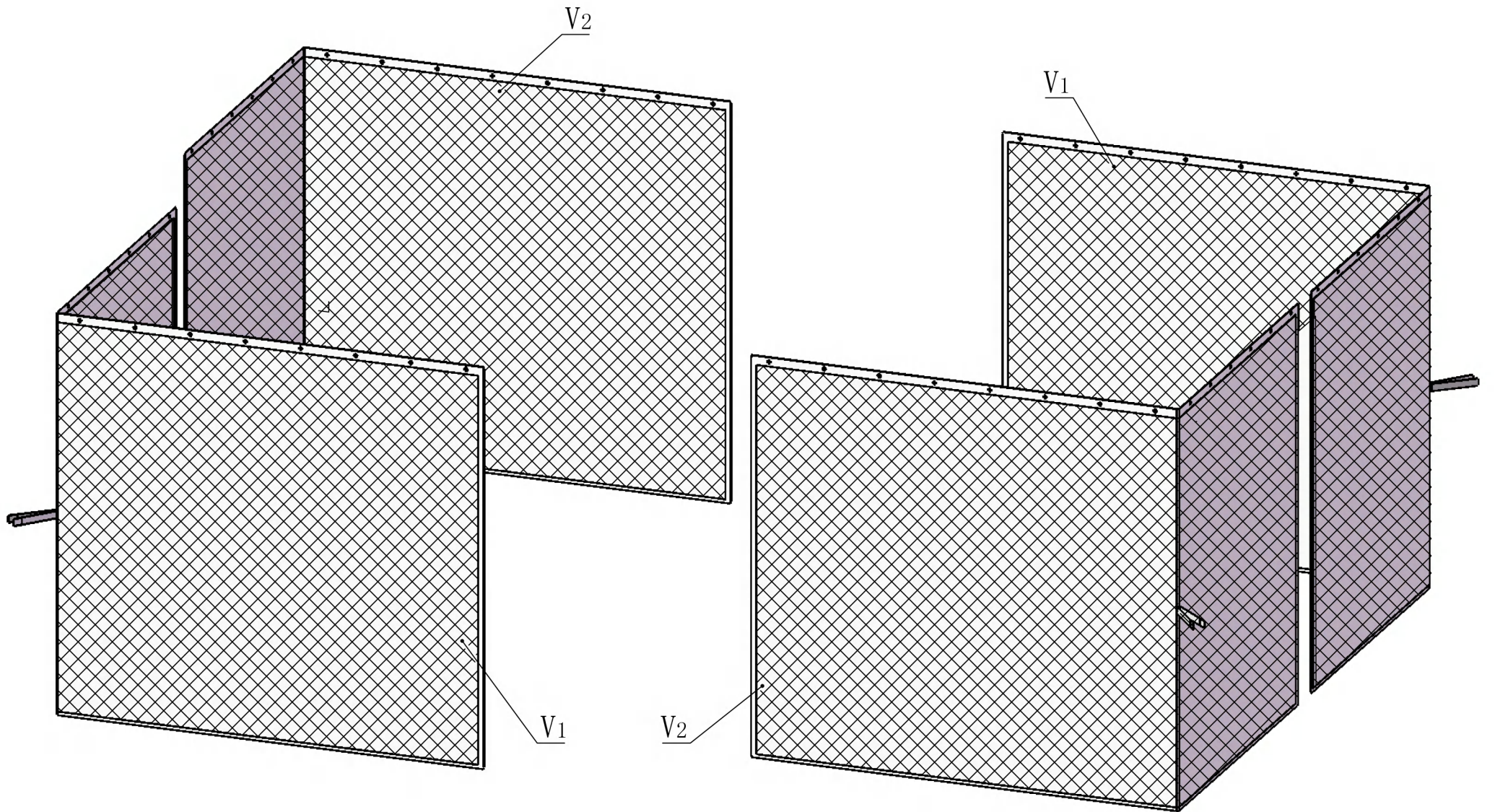


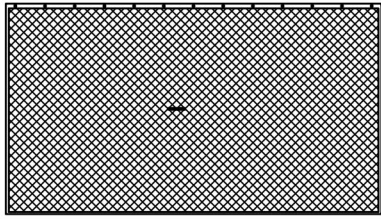
X



# STEP 3

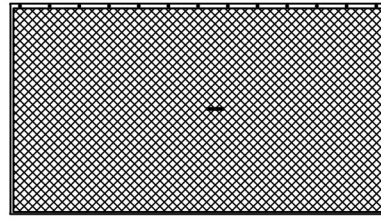






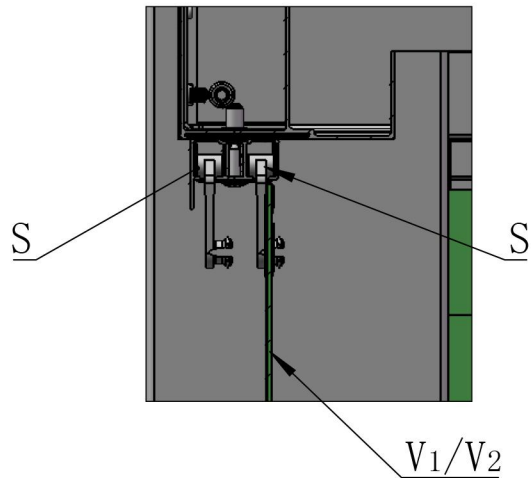
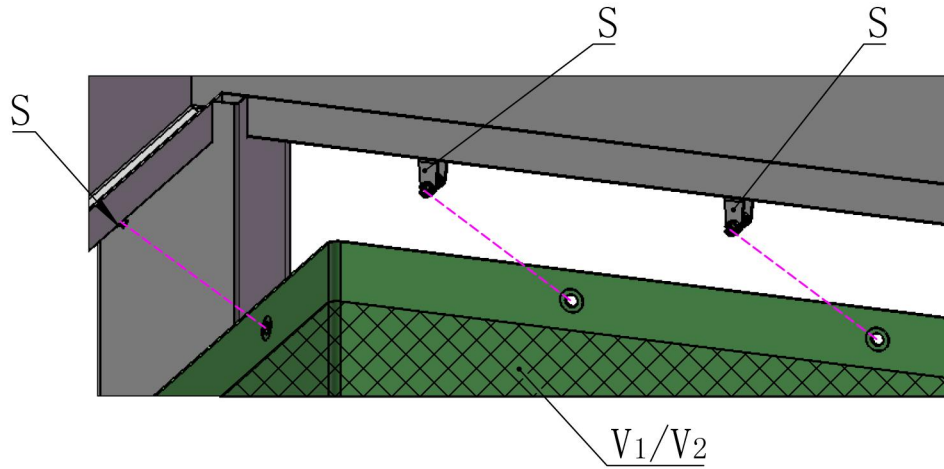
V1

2X

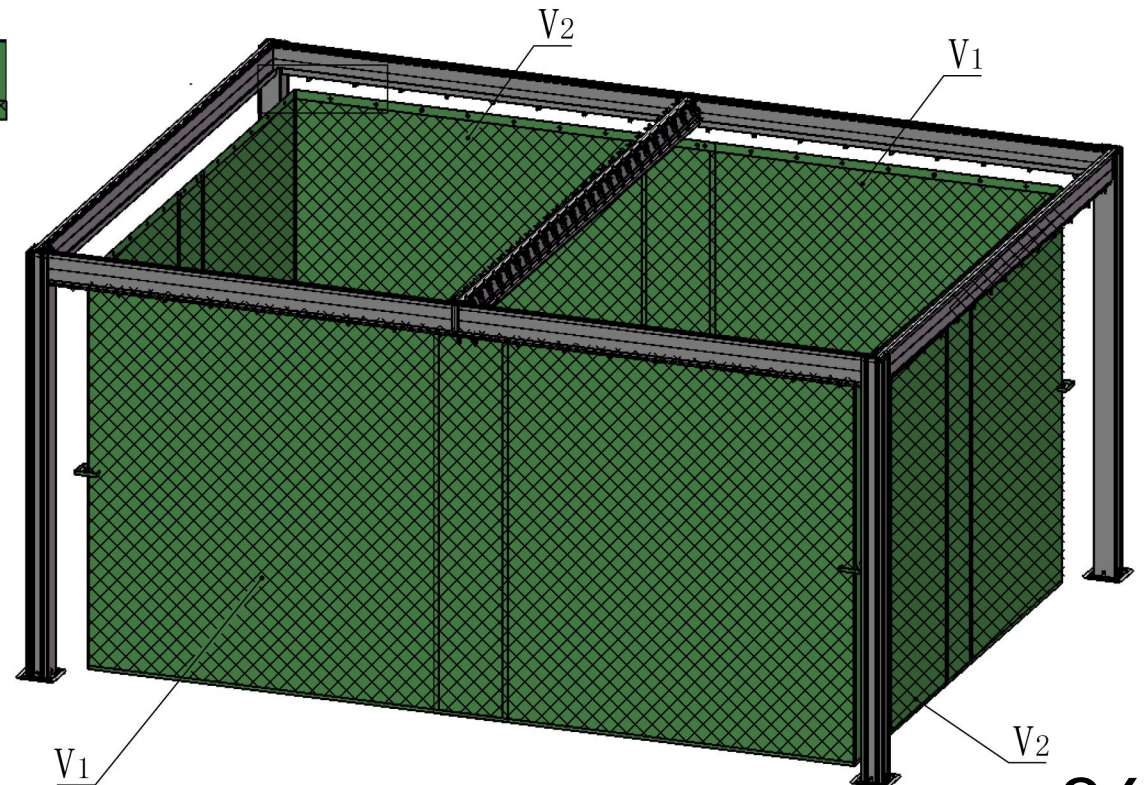


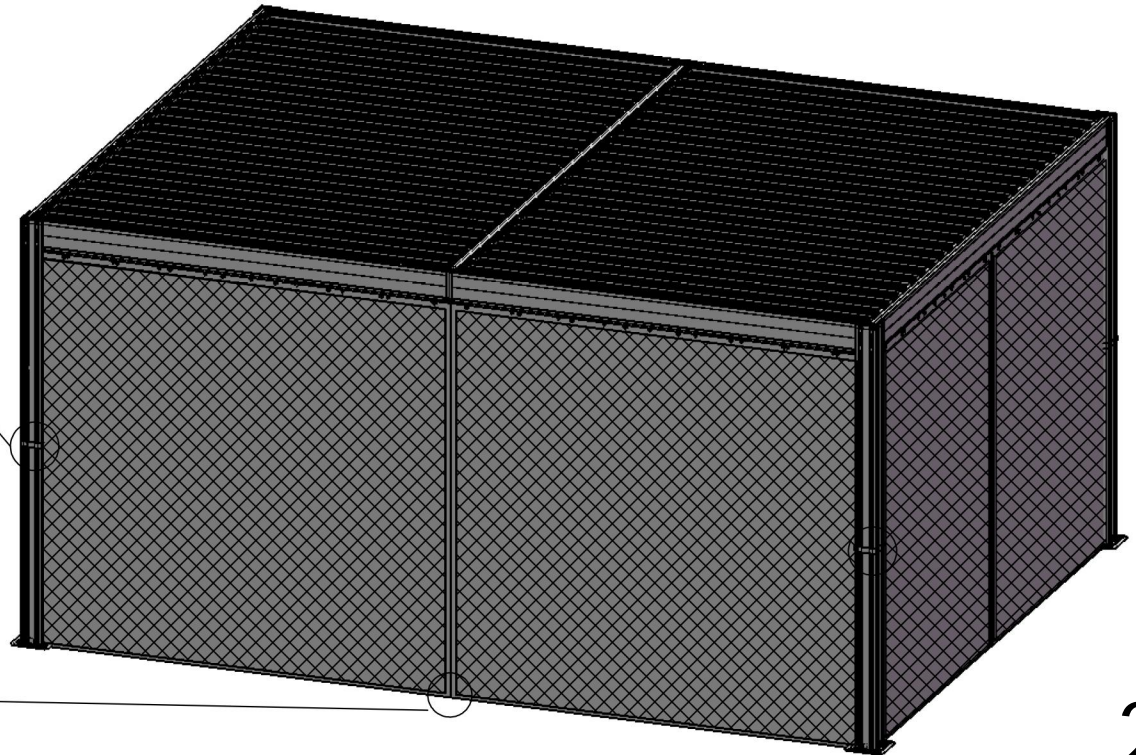
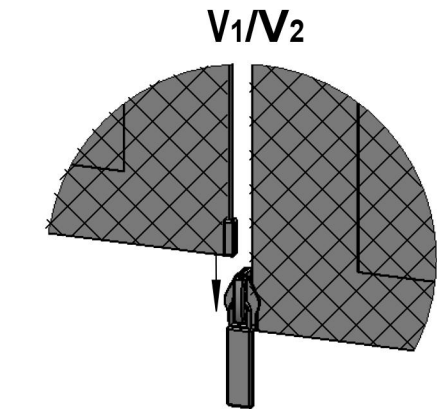
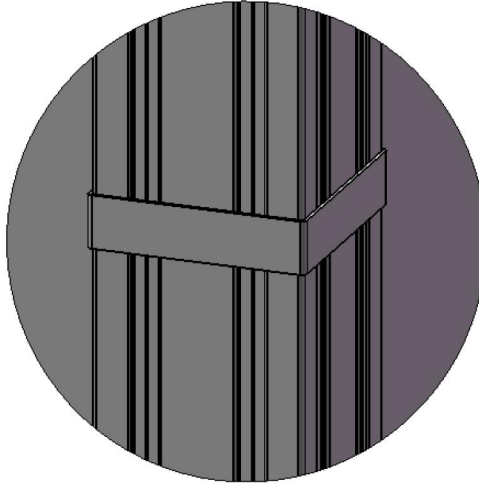
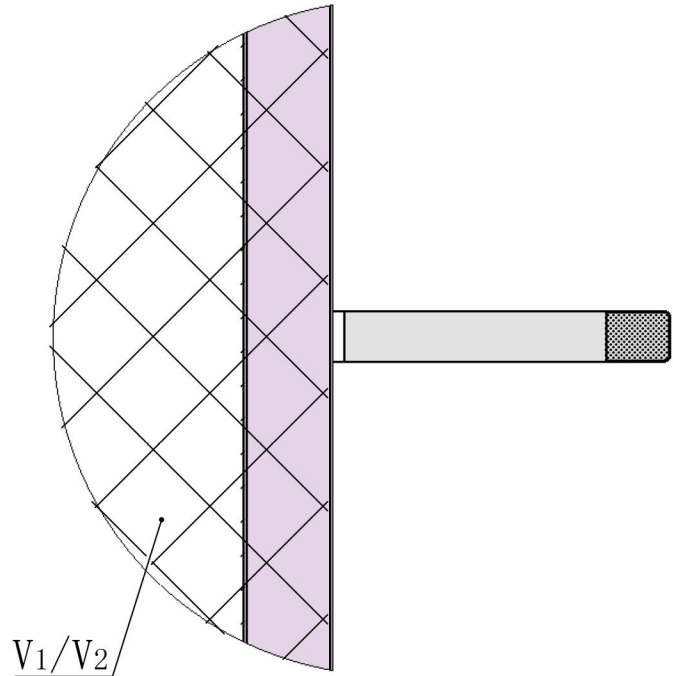
V2

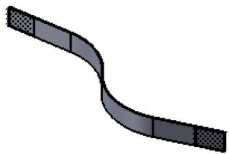
2X



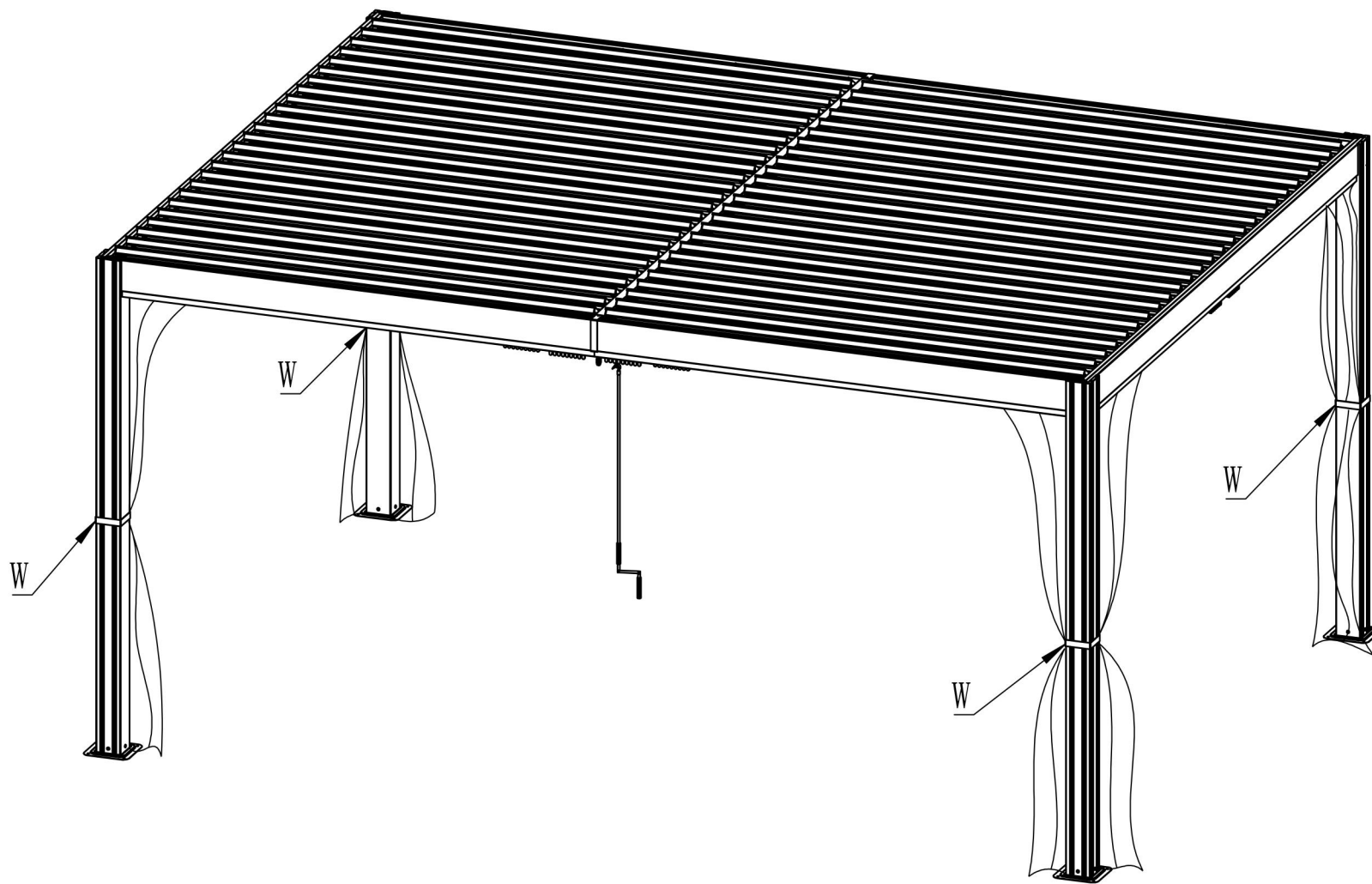
**!** Pictures below indicate the number of holes on the netting, each hole is match to one hook.

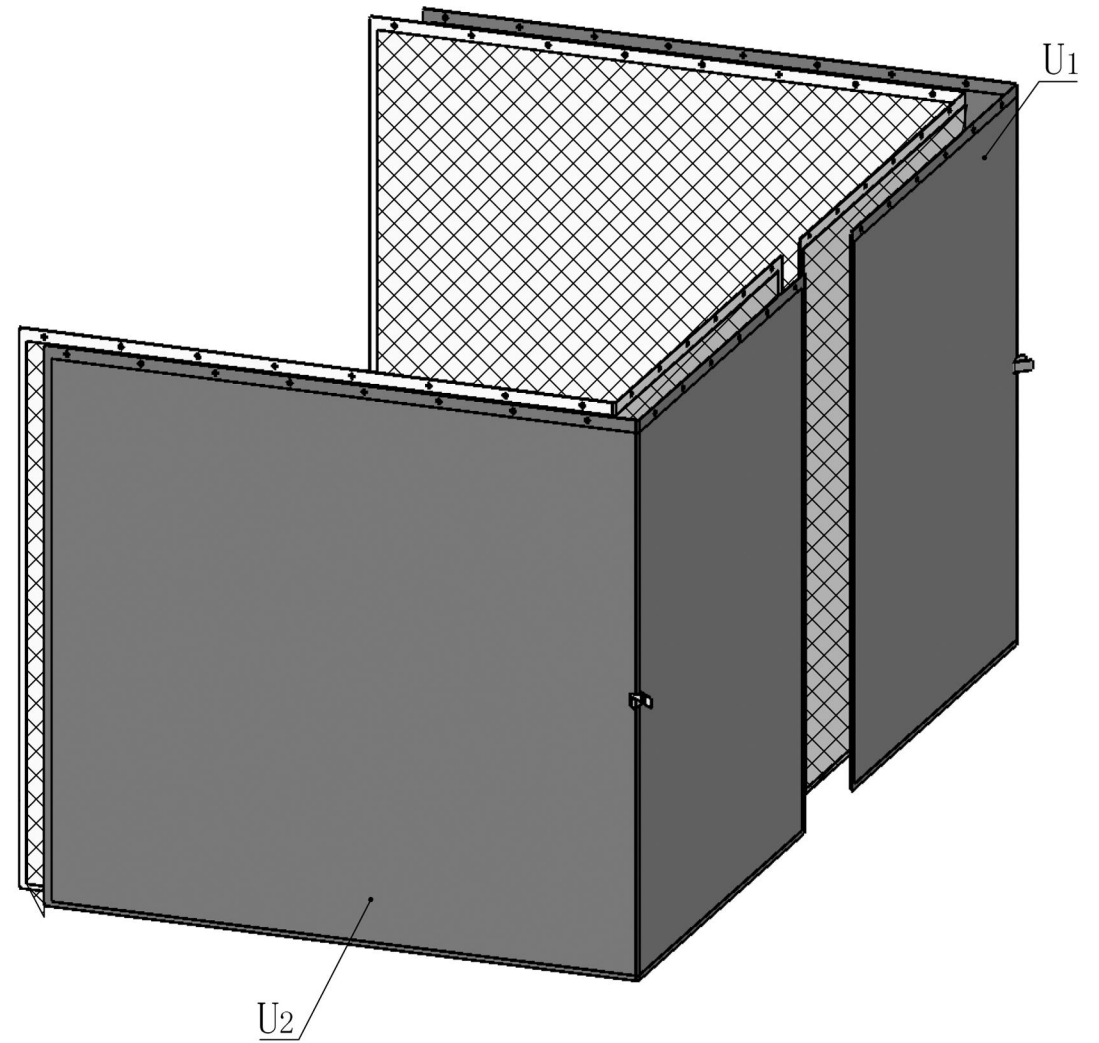
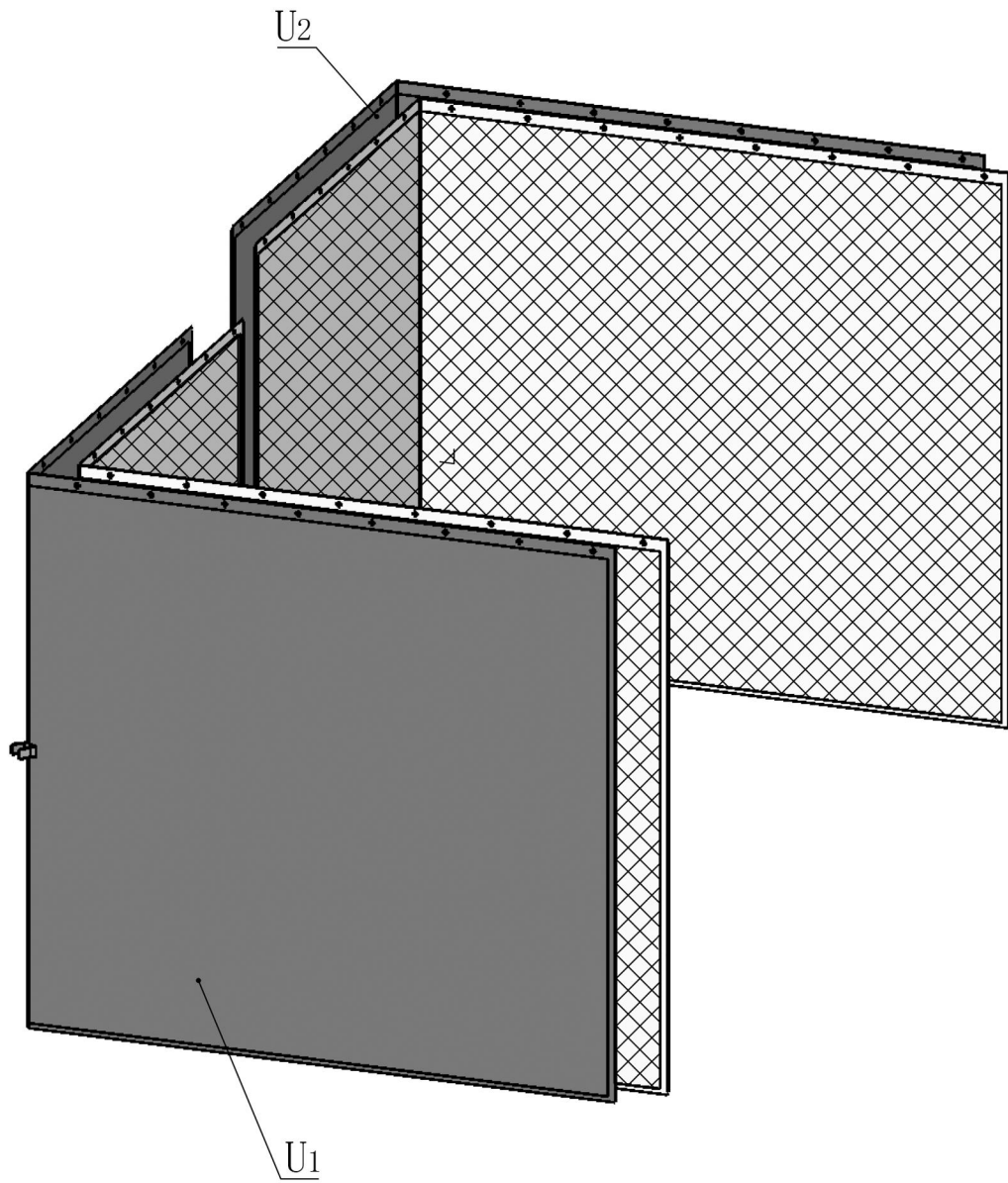


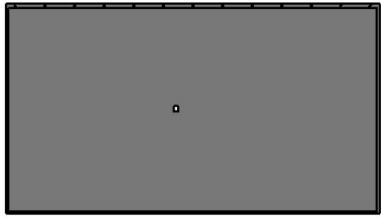




W 4X



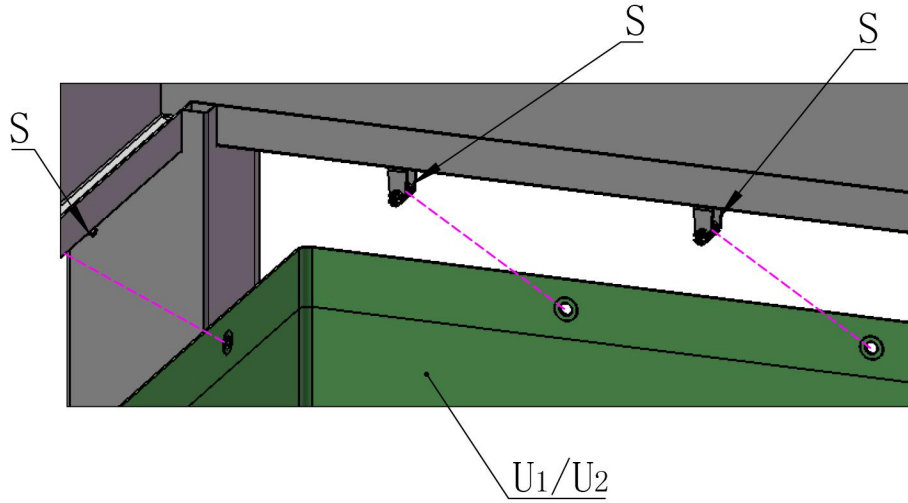




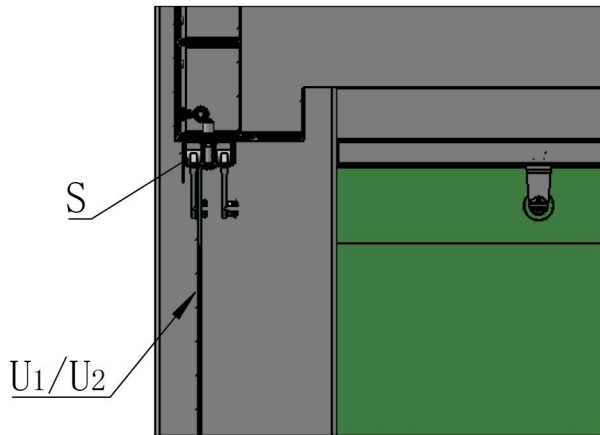
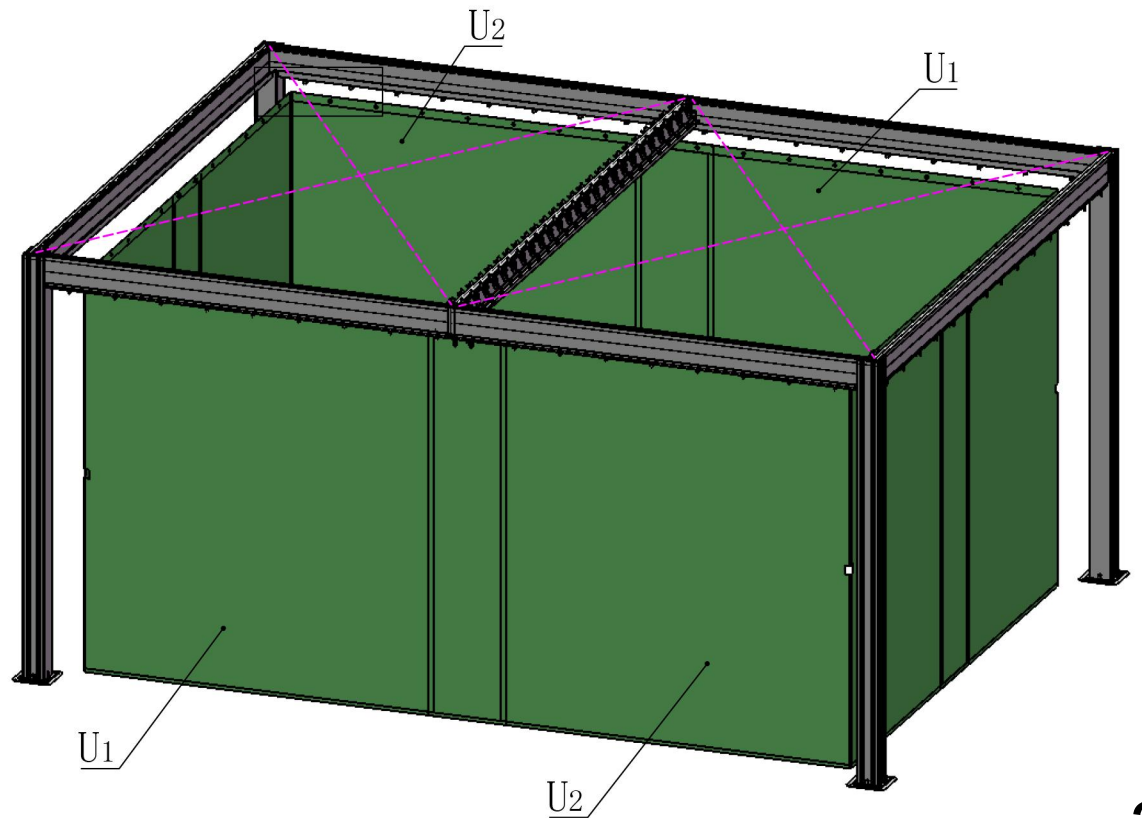
U1 2X

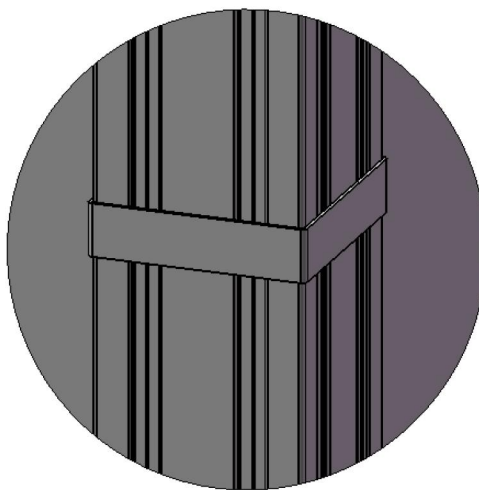
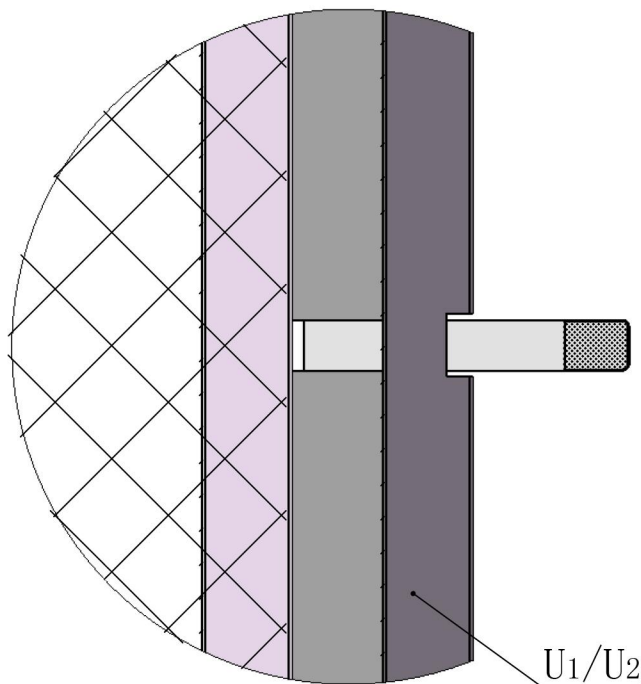


U2 2X

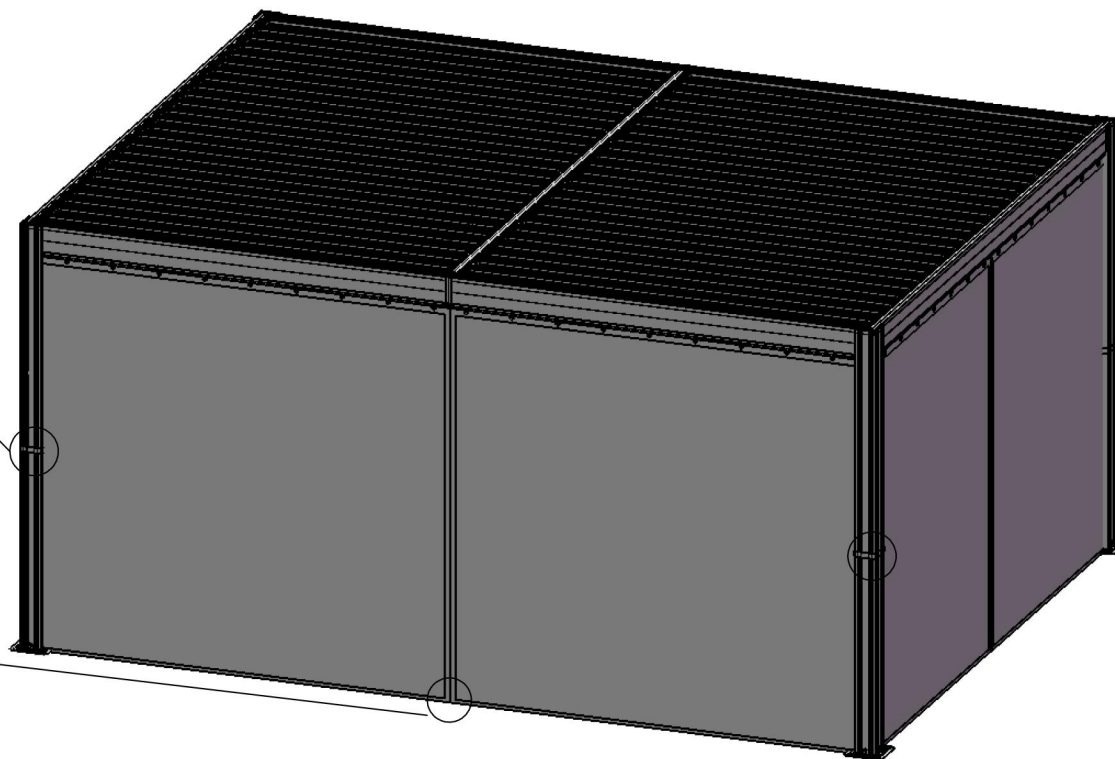
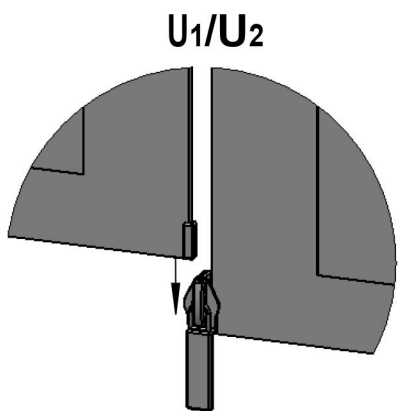


**!** Pictures below indicate the number of holes on the curtains, each hole is match to one hook.





$U_1/U_2$







RESORT COMFORT IN YOUR  
OWN BACKYARD

**Support:**



Email: [service@domioutdoorliving.com](mailto:service@domioutdoorliving.com)

Please tell us your order ID when contact.

Attach photos of damaged part for instant reply.