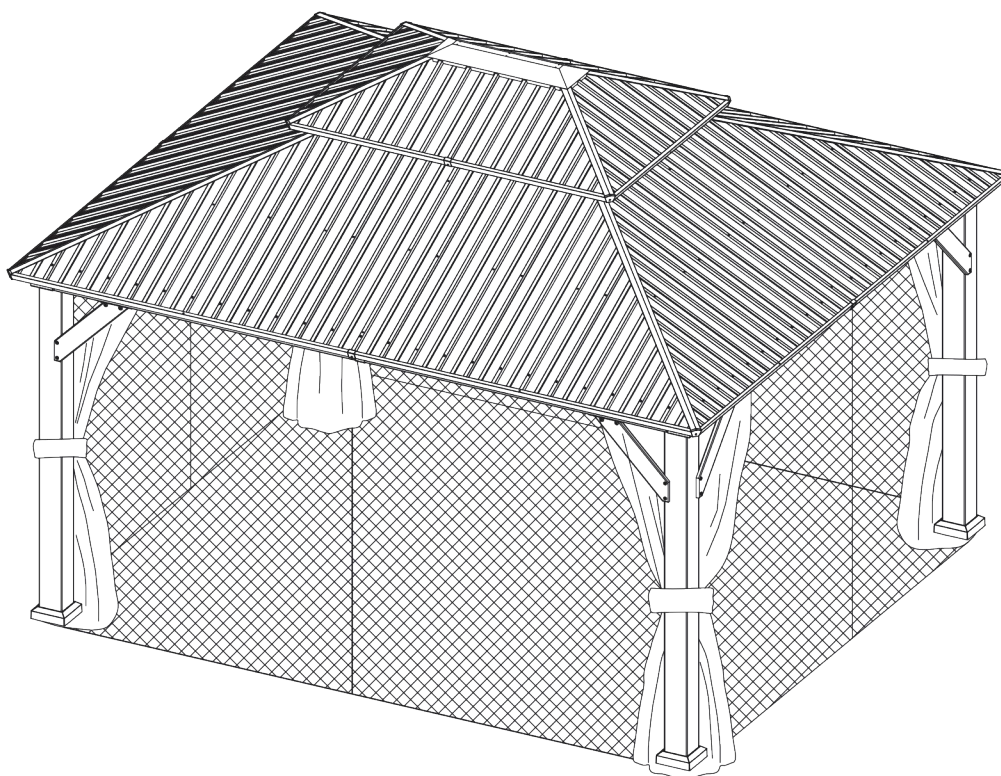




12'x 14' Metal Patio Wood Gazebo

ASSEMBLY MANUAL



MODEL#:LGMF1587

Missing part? Damaged? Contact us via email at

service@domioutdoorliving.com

Pre-assembly



1. Two or more people are required for assembly.



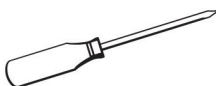
2. You will need one or more stepladders.



3. Wearing protective gloves is recommended.



4. You may need a safety hat.



5. Please use a Phillips screw driver.



6. For ease of construction, you may need a drill.



7. You may need a safety goggle.



8. Do not fully tighten screws prior to complete assembly.

Warning & Attention

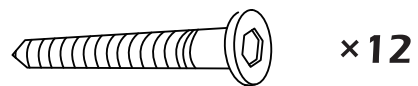
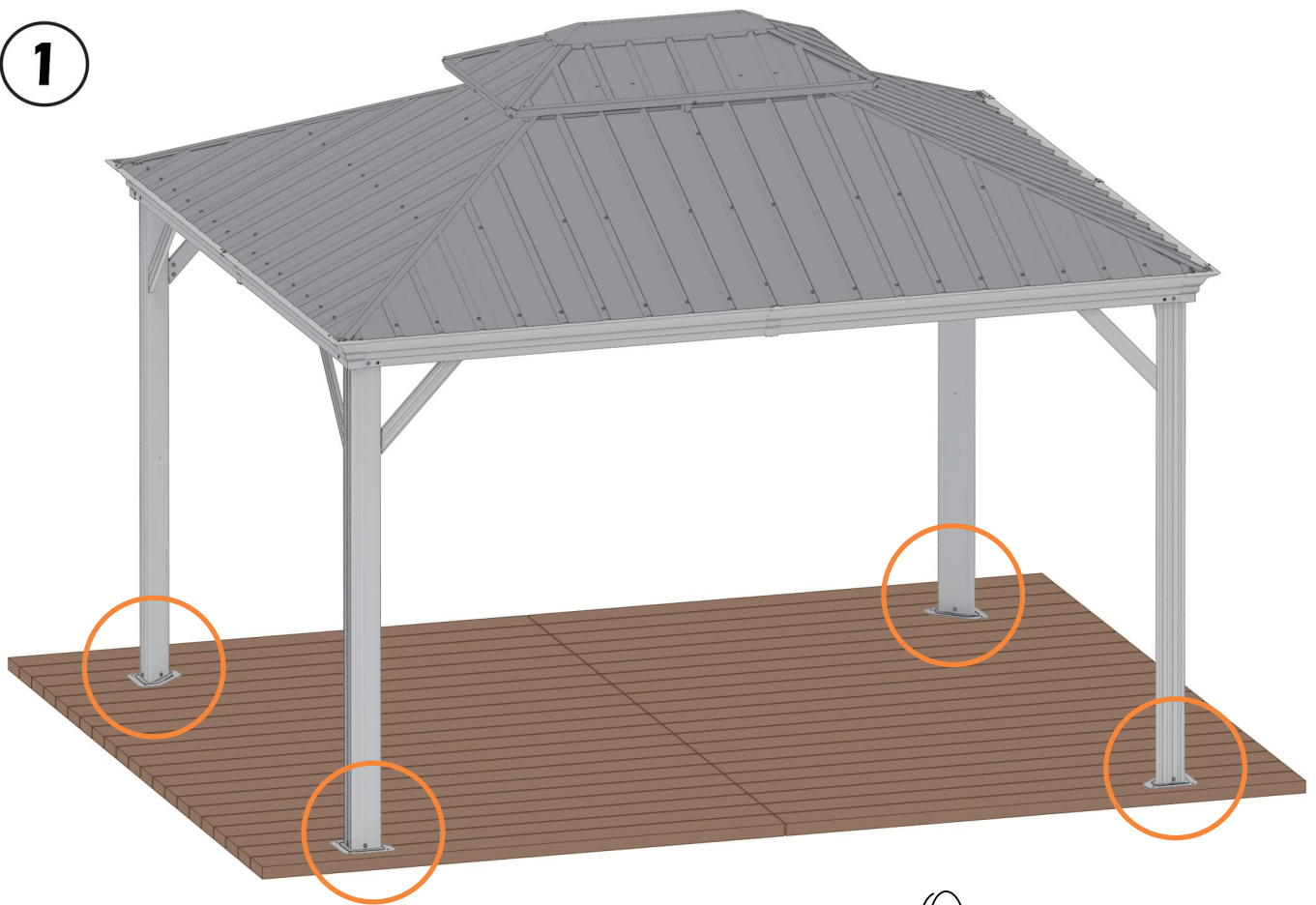
-Try to assemble this product on the flat ground, otherwise it is difficult to carry out;

-It would be much easier to assemble the product with three or more people;

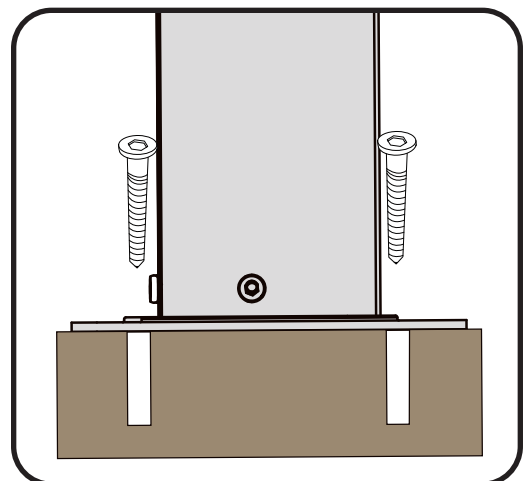
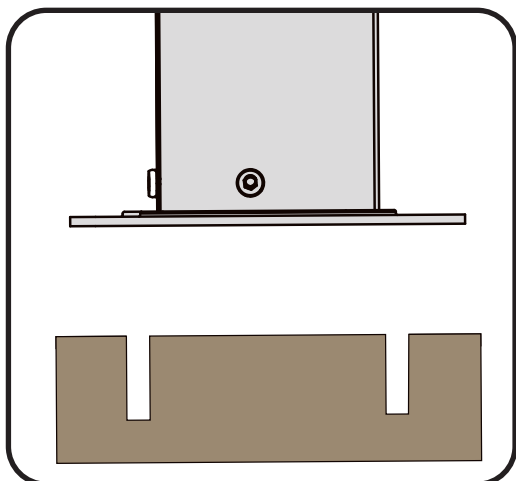
-After assembly, please check whether all screws are tightened, to prevent parts from falling apart.

▲ Use bolts to secure the frame to the ground to against the strong wind.

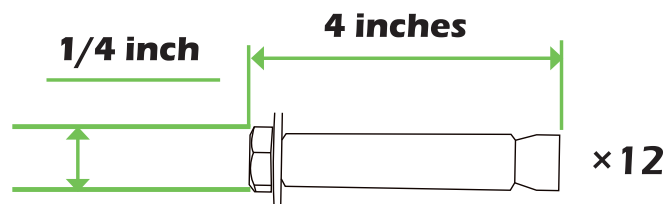
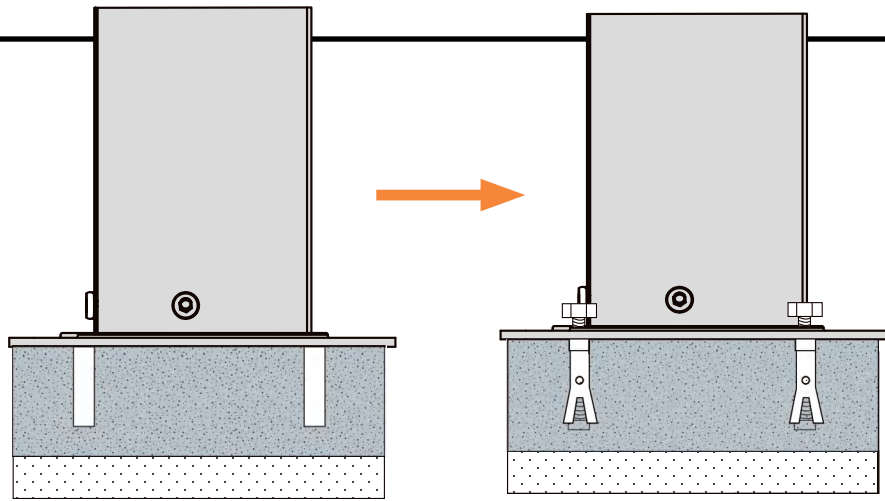
1



If the deck is hard wood and the depth of it is over 3 inch, you can use **5/16 in. x4 in. Structural Wood Screw** to mount the gazebo.

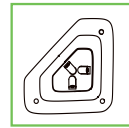
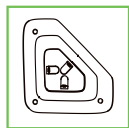


2



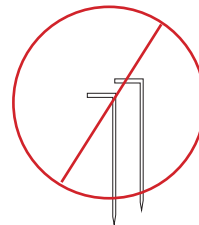
If the ground is concreted and the depth of it is over 3 inch, you can use 1/4 inch expansion bolts to mount the gazebo

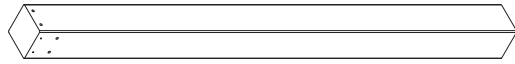
3



Or you can make a concrete footing for gazebo, **15×15×15 inches** is recommended. use expansion bolts to mount the pergola like ② shows.

IMPORTANT:
Anchor is not recommended





A 4x Wood Pole



C 2x Beam



C1 2x Beam



D 2x Beam



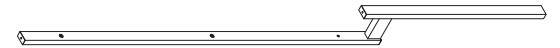
D1 2x Beam



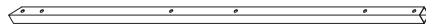
E 4x Corner Roof Bar



E1 4x Corner Roof Bar Connector



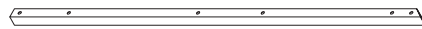
E2 4x Roof Bar



F 4x Solidfying Bar



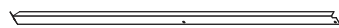
G 2x Solidfying Bar



G1 2x Solidfying Bar



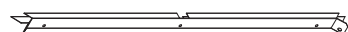
H 2x Finishing Bar



H1 2x Finishing Bar



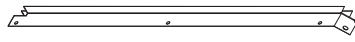
H2 2x Finishing Bar



J 2x Finishing Bar



J1 2x Finishing Bar



J2 2x Finishing Bar



K 2x Finishing Bar



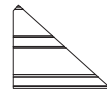
K1 2x Finishing Bar



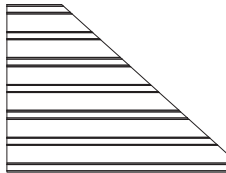
K2 2x Finishing Bar



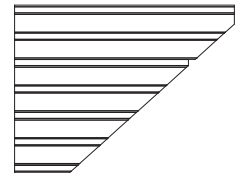
K3 2x Finishing Bar



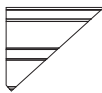
L1 2x Roof Panel



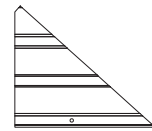
L2 2x Roof Panel



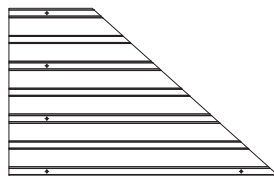
L3 2x Roof Panel



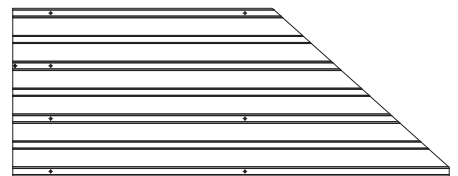
L4 2x Roof Panel



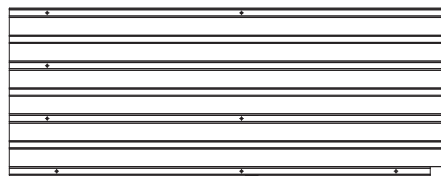
M1 2x Roof Panel



M2 2x Roof Panel



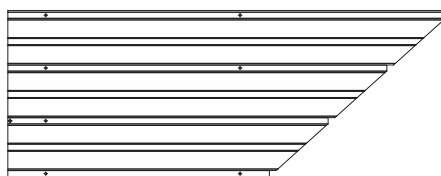
M3 2x Roof Panel



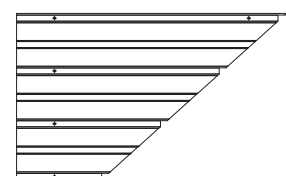
M4 2x Roof Panel



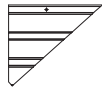
M5 2x Roof Panel



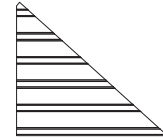
M6 2x Roof Panel



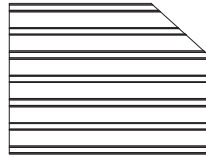
M7 2x Roof Panel



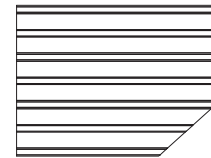
M8 2x Roof Panel



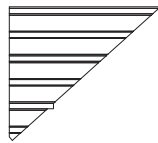
N1 2x Roof Panel



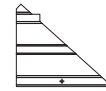
N2 2x Roof Panel



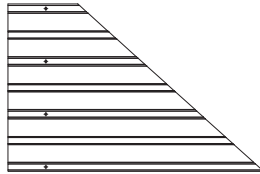
N3 2x Roof Panel



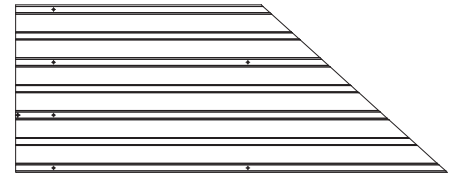
N4 2x Roof Panel



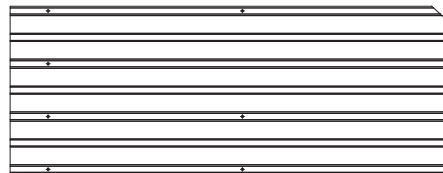
P1 2x Roof Panel



P2 2x Roof Panel



P3 2x Roof Panel



P4 2x Roof Panel



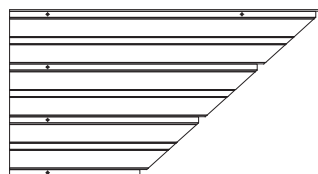
P5 2x Roof Panel



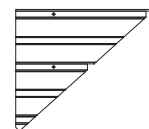
P6 2x Roof Panel



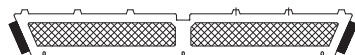
P7 2x Roof Panel



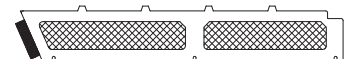
P8 2x Roof Panel



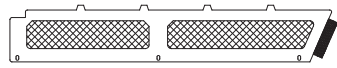
P9 2x Roof Panel



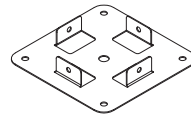
Q 2x Net Frame



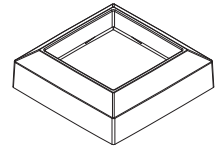
Q1 2x Net Frame



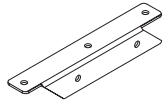
Q2 2x Net Frame



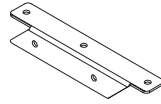
B 4x Base



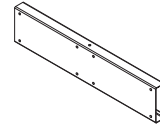
B1 4x Base Cover



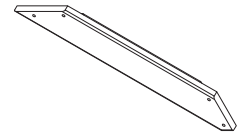
B2 4x Joint Cover



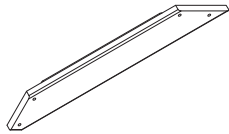
B3 4x Joint Cover



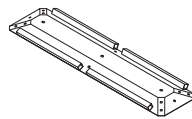
C2 4x Union Bar



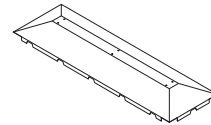
R 4x Corner Solidifying Bar



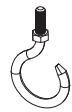
R1 4x Corner Solidifying Bar



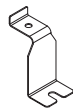
S 1x Inside Roof Cover



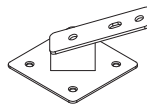
S1 1x Outside Roof Cover



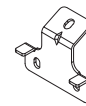
T 3x J-Hook



T1 4x Bracket



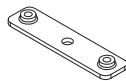
U 4x Bracket



U1 4x Bracket



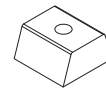
U2 4x Bracket



U3 4x Joint Cover



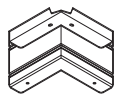
V 120x Hook



W 126x Spacer



X 4x Bracket



X1 4x Corner Cover



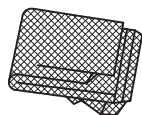
X2 6x Finishing End



X3 12x Finishing End



Y 4x Solid Sidewall



Y1 4x Mosquito Sidewall



Z 76x Plastic Bracket



Z1 4x Plastic Bracket



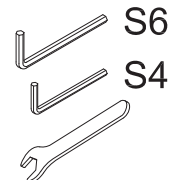
Z2 4x Plastic Bracket



Z3 2x Plastic Bracket



Z4 2x Plastic Bracket



1 1x



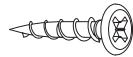
ST6.3x15

2 12x



ST5x16

3 24x



ST5x30

4 16x



M6

5 146x



M6x38

6 16x



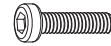
M6x10

7 20x



M6x16

8 124x



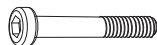
M6x25

9 8x



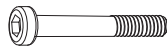
M6x28

10 80x



M6x45

11 4x



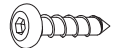
M6x50

12 34x



ST6. 3X35

13 32x



ST8X30

14 16x



D6. 6*2

15 16x



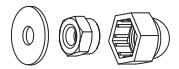
M3x65

16 1x Drill



M8X160

17 16x

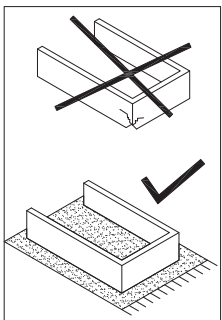


M8

18 16x



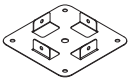
19 16x



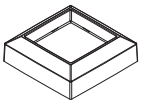
6



A 4x



B 4x



B1 4x



ST6. 3X35

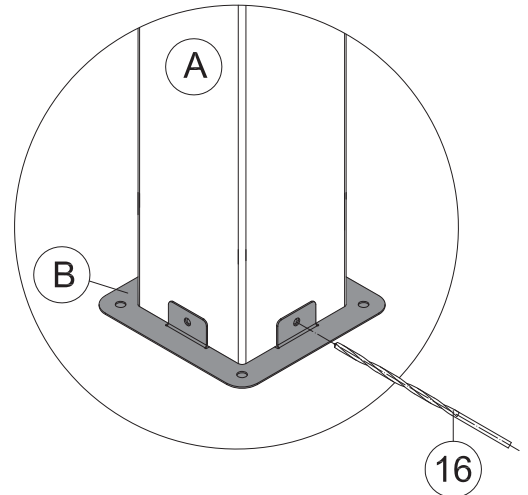
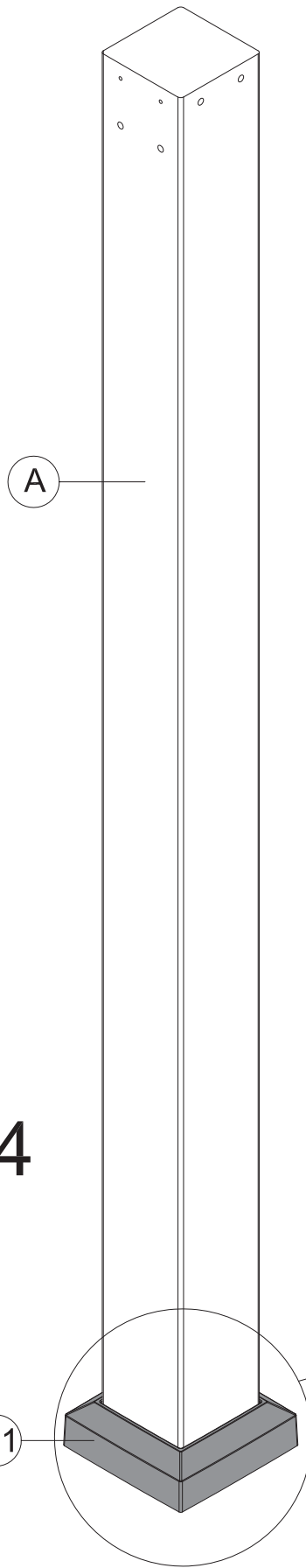
13 16x



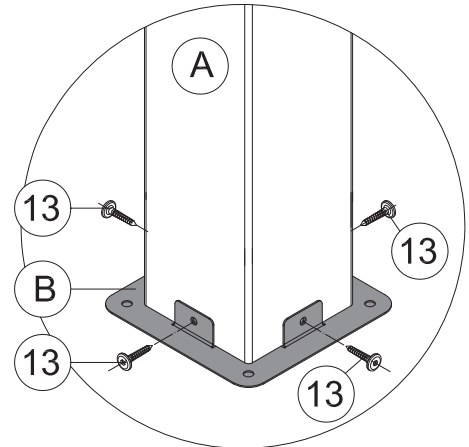
M3x65

16 1x

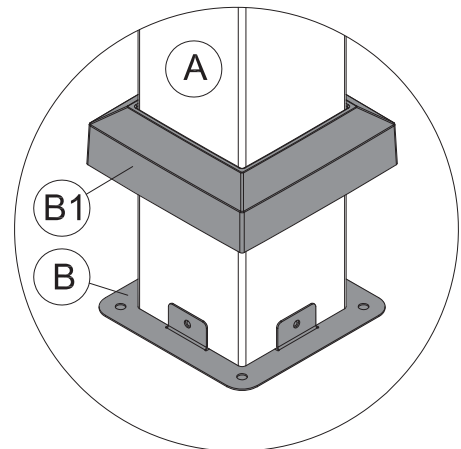
X4



(1) Put Part #B on the bottom of Part #A, after adjusting the position, use Drill #16 to drill holes at the holes in Part #B.

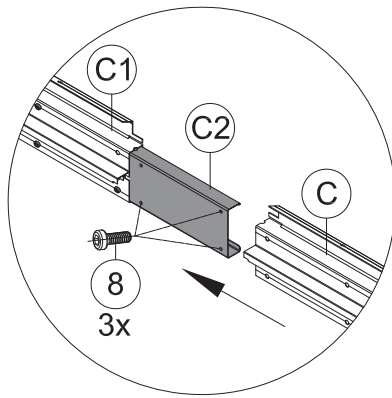
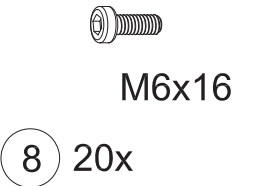
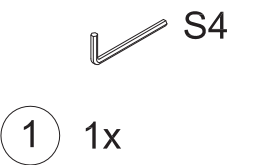
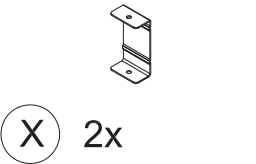
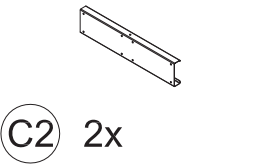
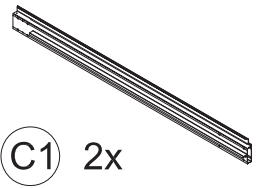
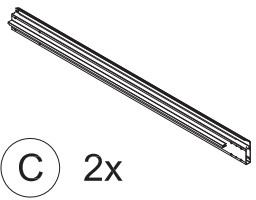


(2) Secure Part #B and Part #A with 4 Bolts #13.

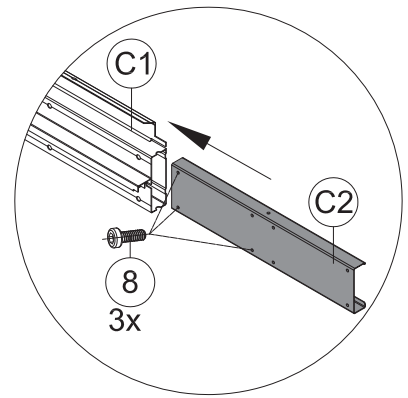


(3) Cover Part #B1 on Part #B.

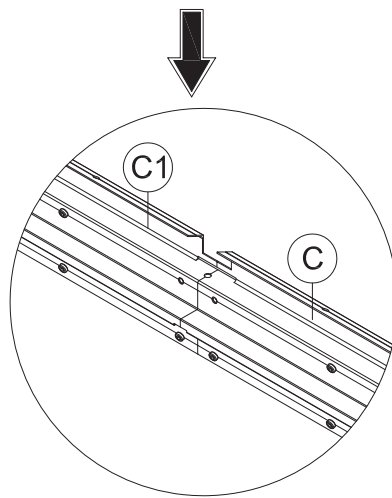
(4) Repeat the above procedures to assemble the other 3 Part #A.



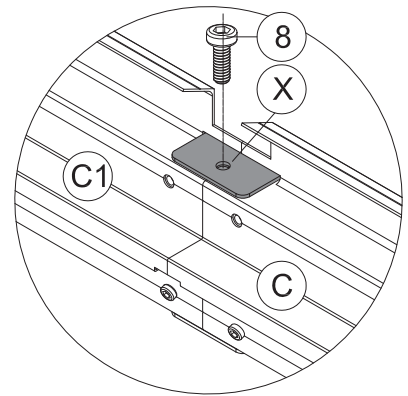
(2) Insert the other side of Part #C2 into Part #C and secure with 3 Bolts #8.



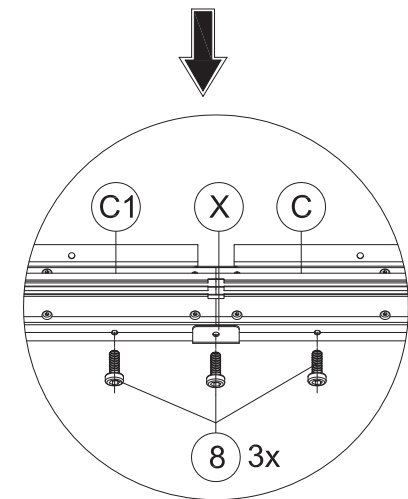
(1) Insert Part #C2 into Part #C1 and secure with 3 Bolts #8.



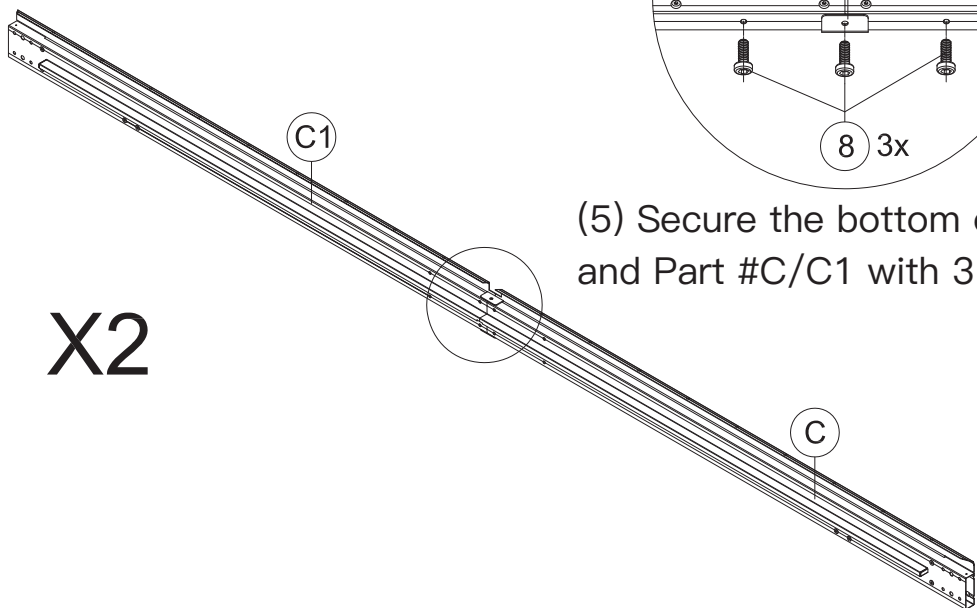
(3) Connect Part #C1 and Part #C through Part #C2.



(4) Insert Part #X into the beam and secure with 1 Bolt #8.



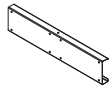
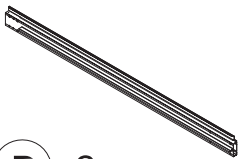
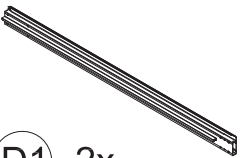


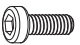
(5) Secure the bottom of Part #X and Part #C/C1 with 3 Bolts #8.

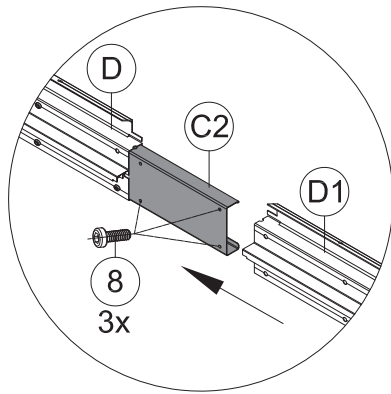


X2

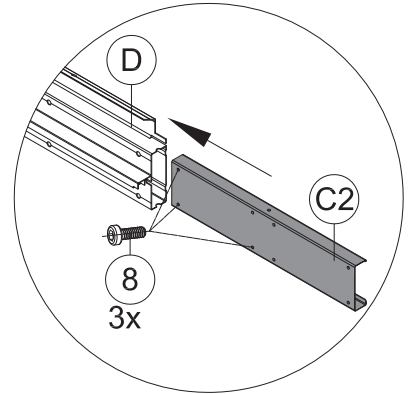
(6) Repeat the above procedures to assemble the other Part #C and Part #C1.

8

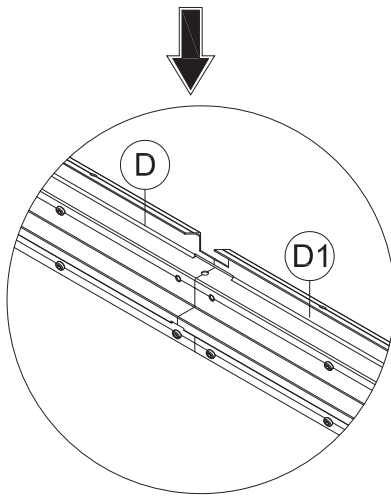
-  **C2** 2x
-  **D** 2x
-  **D1** 2x
-  **X** 2x
-  **1** 1x
-  **8** 20x
M6x16



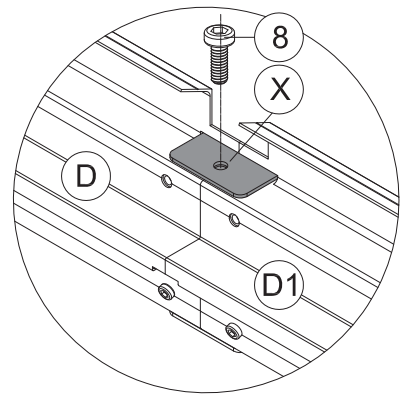
(2) Insert the other side of Part #C2 into Part #D1 and secure with 3 Bolts #8.



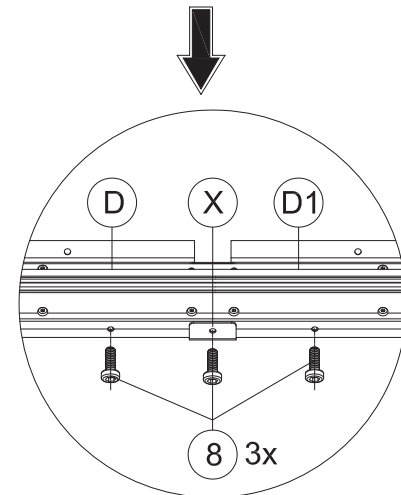
(1) Insert Part #C2 into Part #D and secure with 3 Bolts #8.



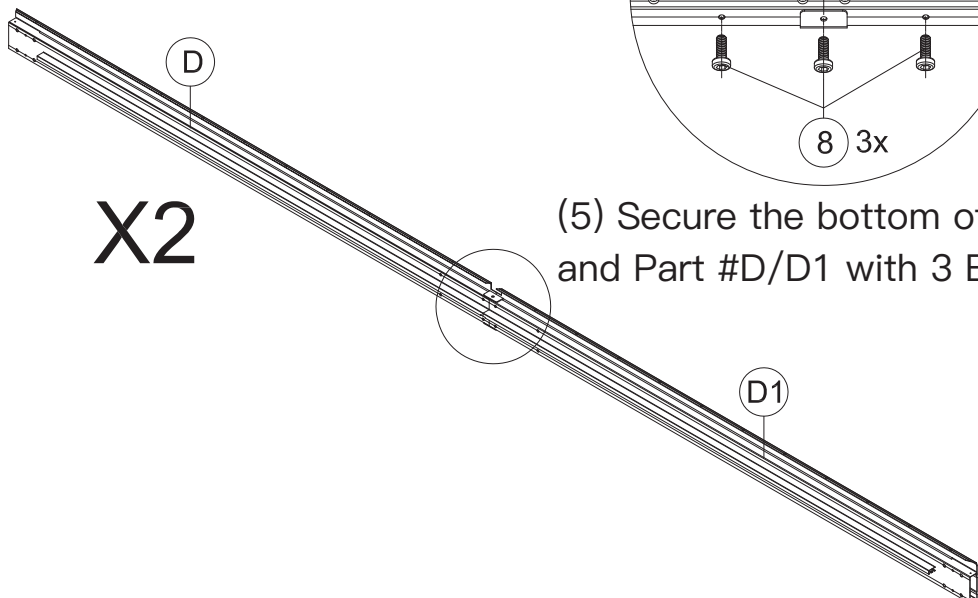
(3) Connect Part #D and Part #D1 through Part #C2.



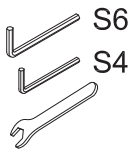
(4) Insert Part #X into the beam and secure with 1 Bolt #8.



(5) Secure the bottom of Part #X and Part #D/D1 with 3 Bolts #8.



(6) Repeat the above procedures to assemble the other Part #D and Part #D1.



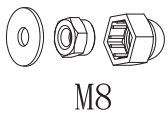
1 1x



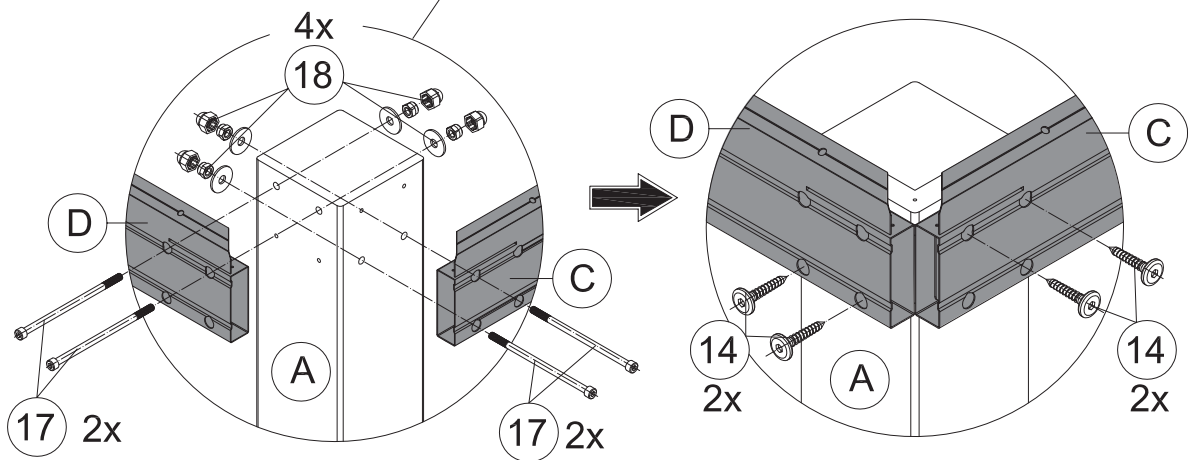
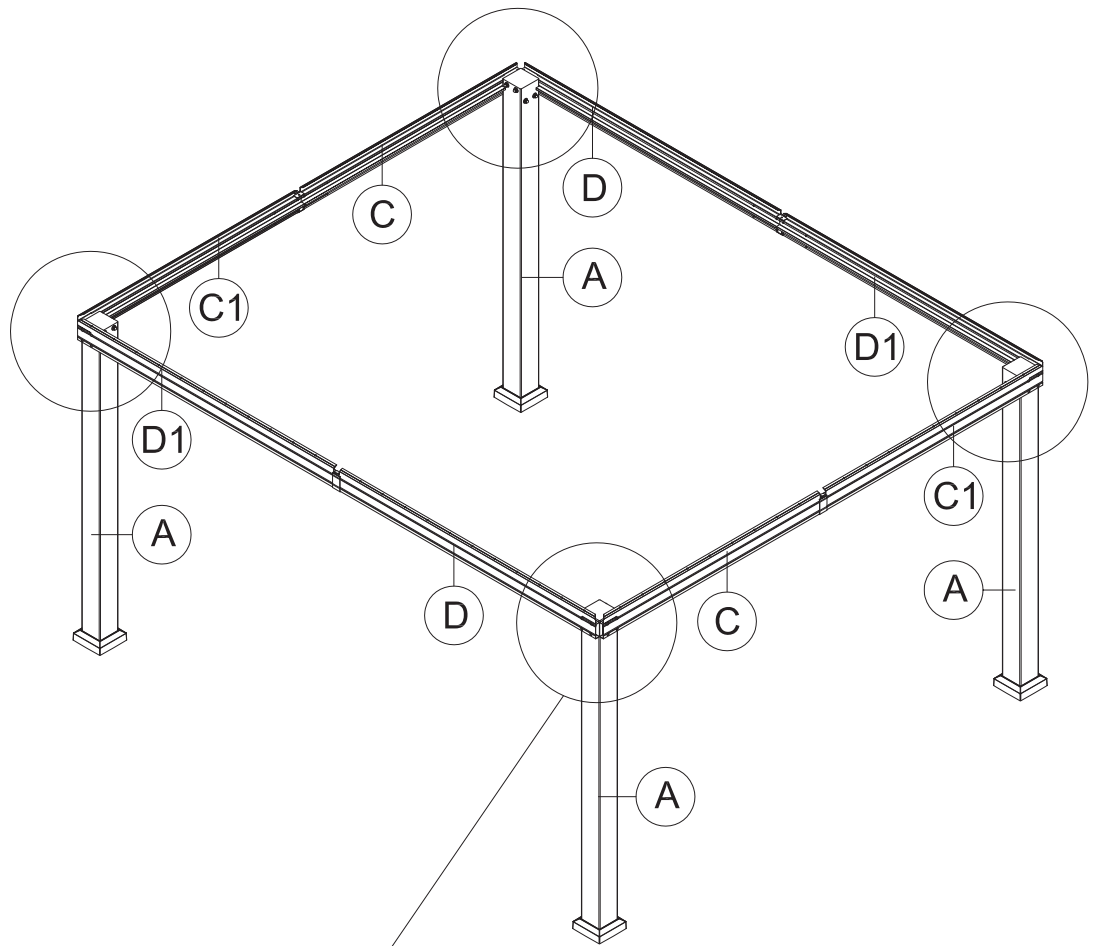
14 16x



17 16x



18 16x

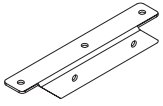


(1) Connect Part #D/#C1 to Part #A with 2 Bolts #17, and fix from the other side with 2 Bolts #18.**(The first row of screw holes)**

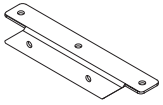
(2) Connect Part #C/#D1 to Part #A with 2 Bolts #17, and fix from the other side with 2 Bolts #18.**(The second row of screw holes)**

(3) Secure Part #D&#C / #C1&D1 with 4 Bolts #14.

(4) Repeat the above procedures to assemble the other corners.



(B2) 4x



(B3) 4x

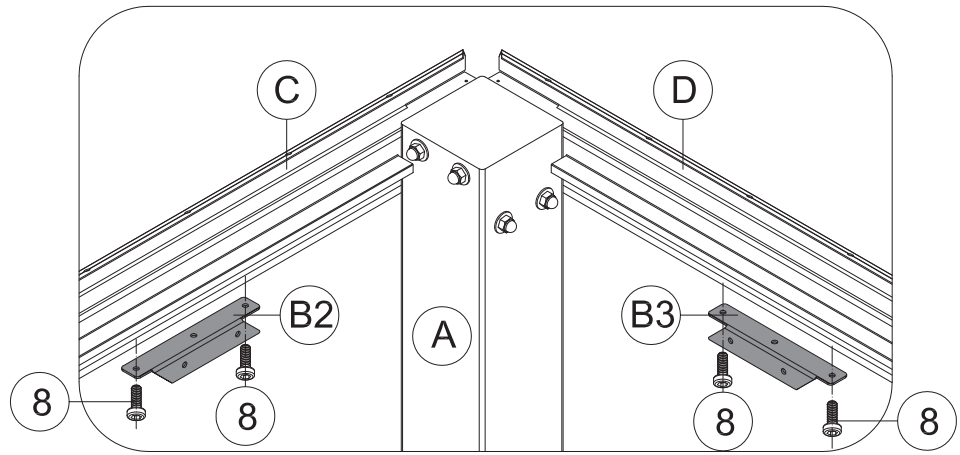


(1) 1x

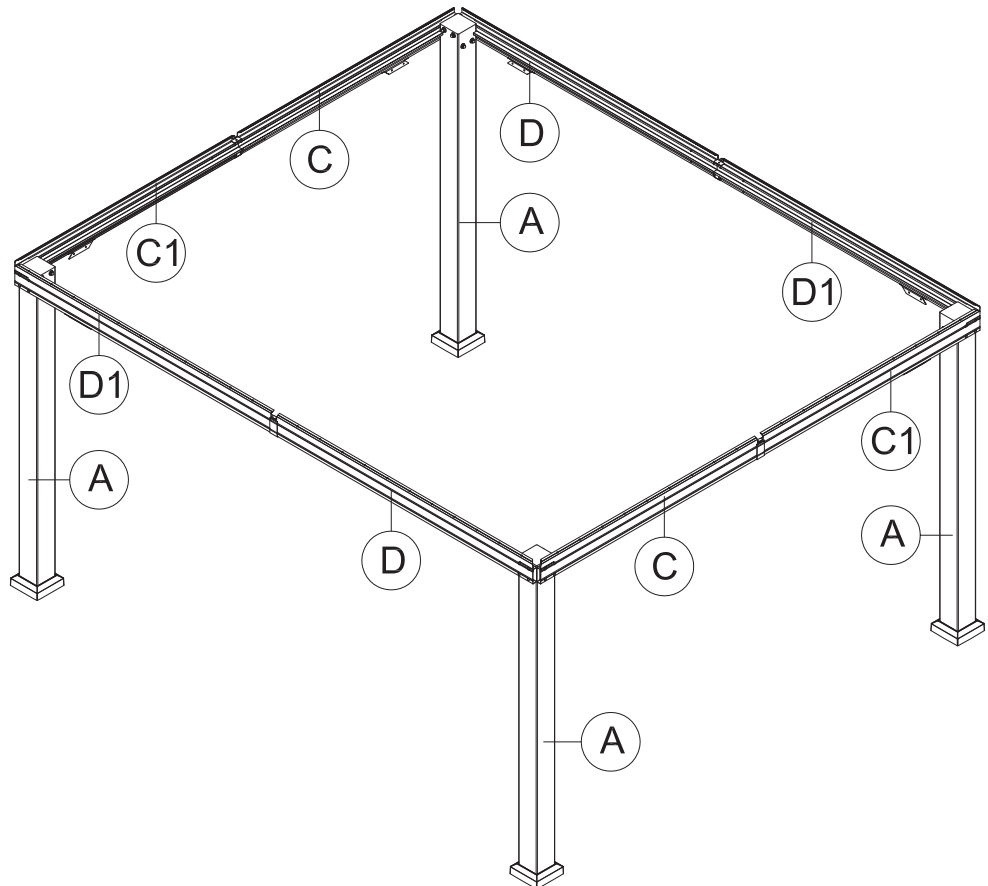


M6x16

(8) 16x

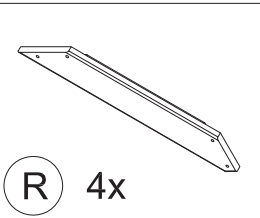


(1) Affix Part #B2 and Part #B3 to the Beam with 4 Bolts #8.

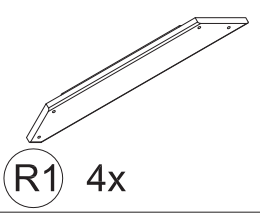


(2) Repeat the above procedures to assemble the other 3 corners.

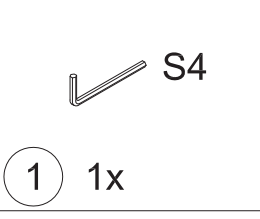
⚠ Please don't tighten all bolts.



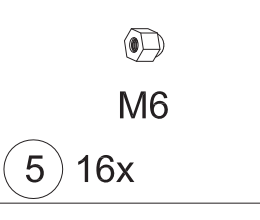
R 4x



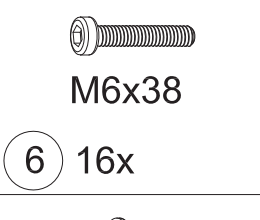
R1 4x



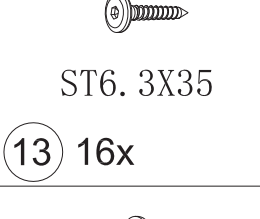
1 1x



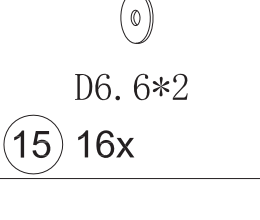
5 16x



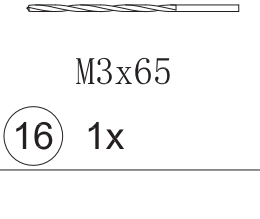
6 16x



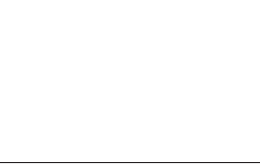
13 16x



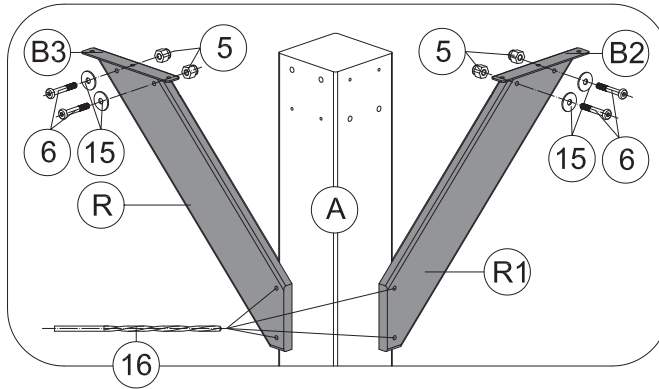
15 16x



16 1x

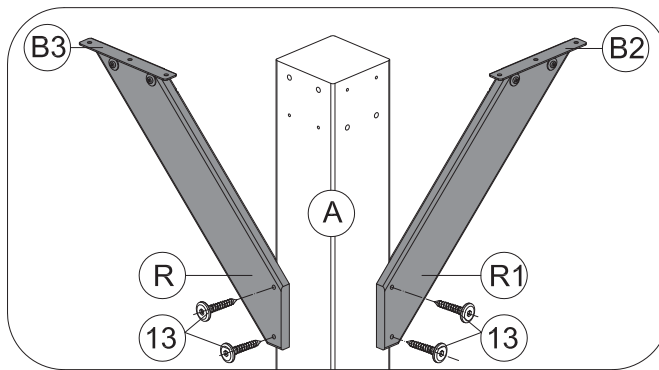


12



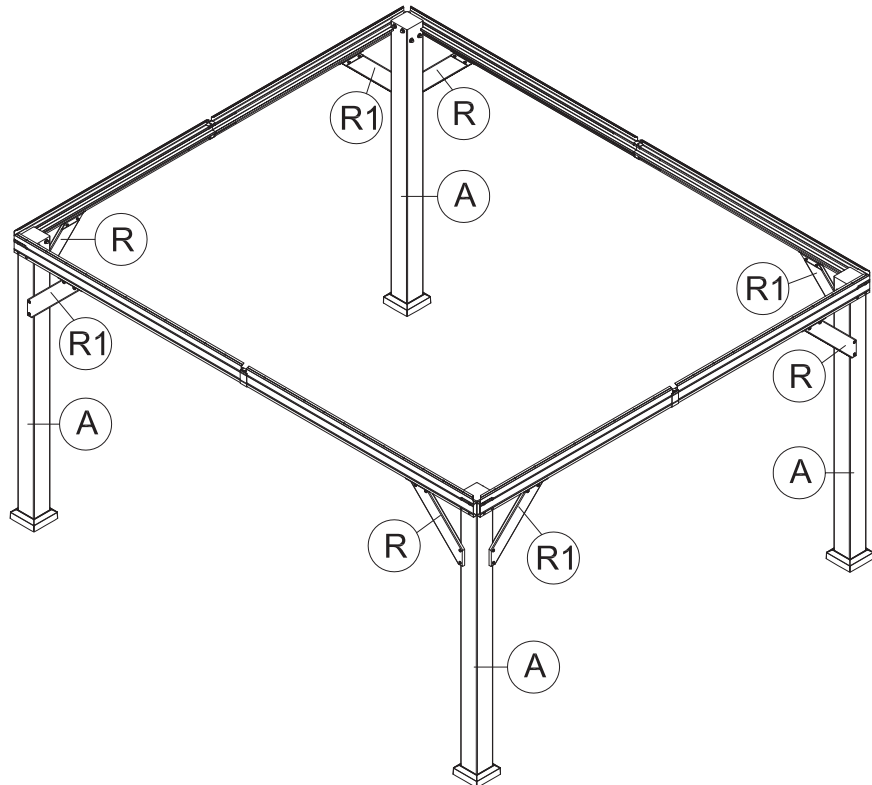
(1) Affix Part #R to Part #B3 with 2 Bolts #6, 2 Washers #15 and 2 Nuts #5.

(2) Affix Part #R1 to Part #B2 with 2 Bolts #6, 2 Washers #15 and 2 Nuts #5.



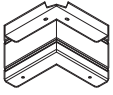
⚠(3) Use Drill #16 to drill holes in the holes reserved for Part #R/#R1.

(4) Affix Part #R and Part #R1 to the poles with 4 Bolts #13.



(5) Repeat the above procedures to assemble the other 3 corners.

⚠ Tighten all the bolts.



X1 4x

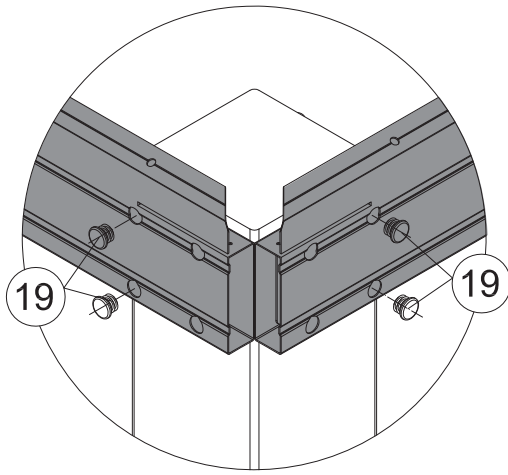


ST5x16

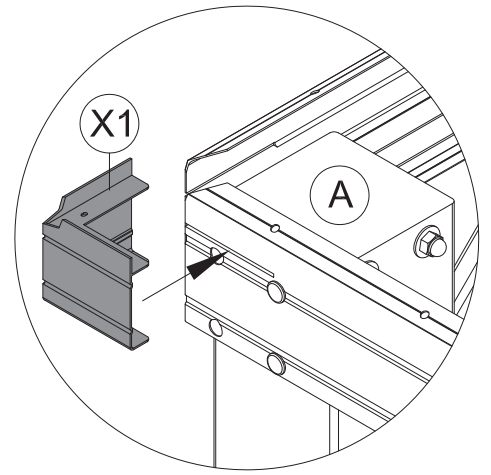
3 16x



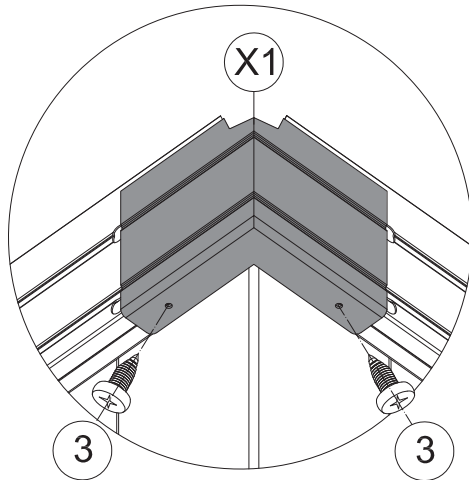
19 16x



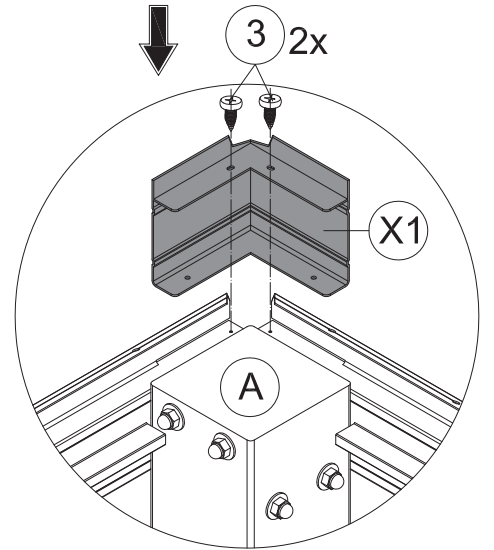
(1) Put 4 Part #19 on the 4 holes.



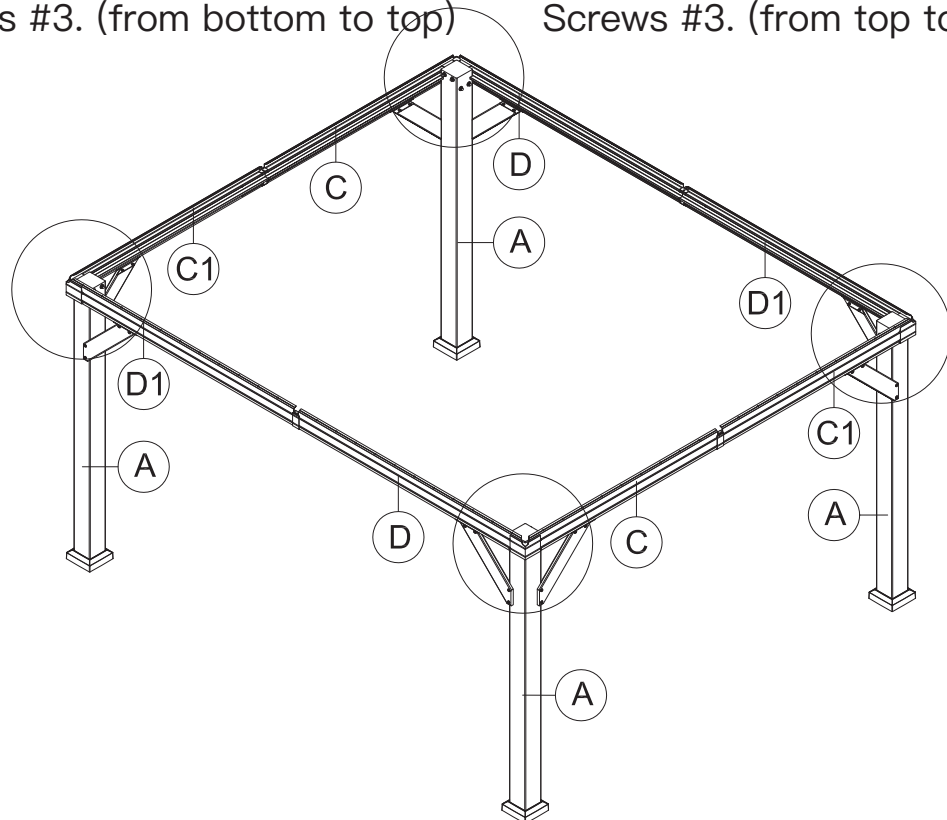
(2) Cover the corner with Part #X1.



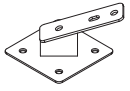
(4) Secure with 2 Self-tapping Screws #3. (from bottom to top)



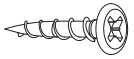
(3) Secure with 2 Self-tapping Screws #3. (from top to bottom)



(5) Repeat the above procedures to assemble the other 3 corners.



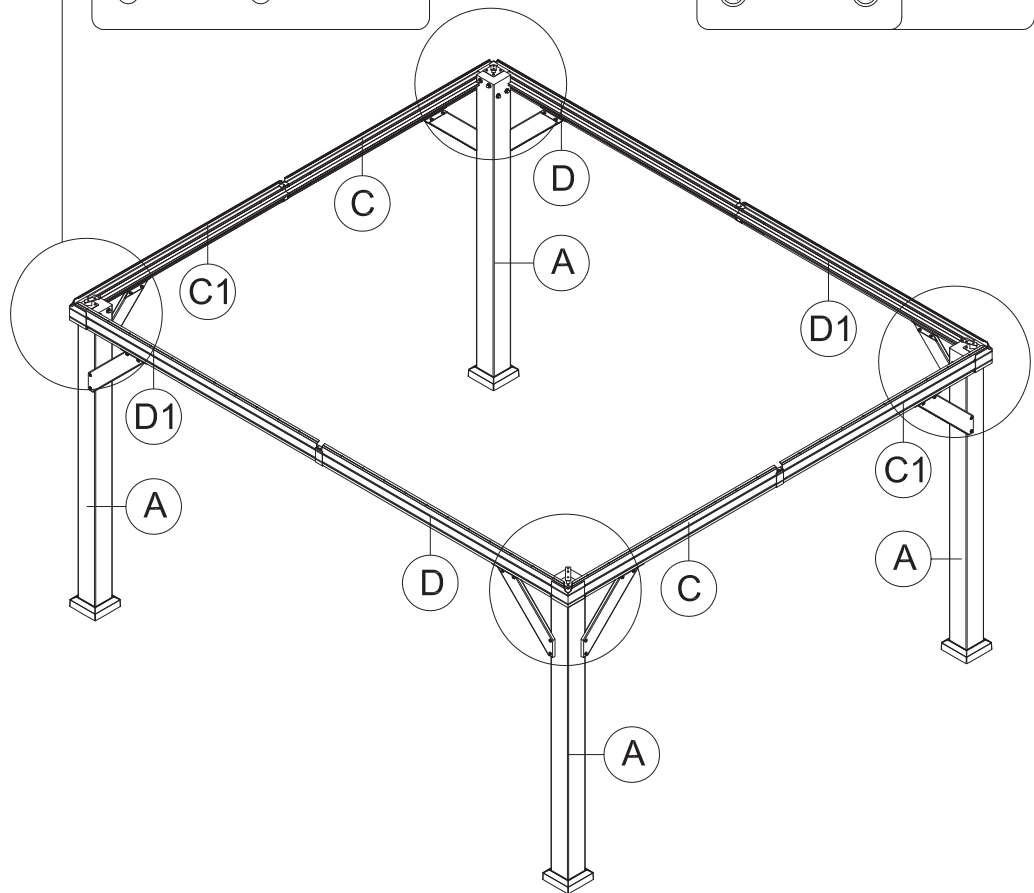
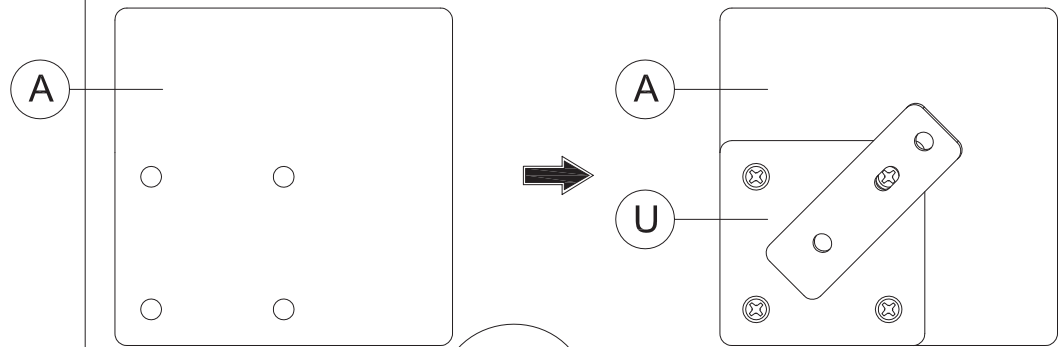
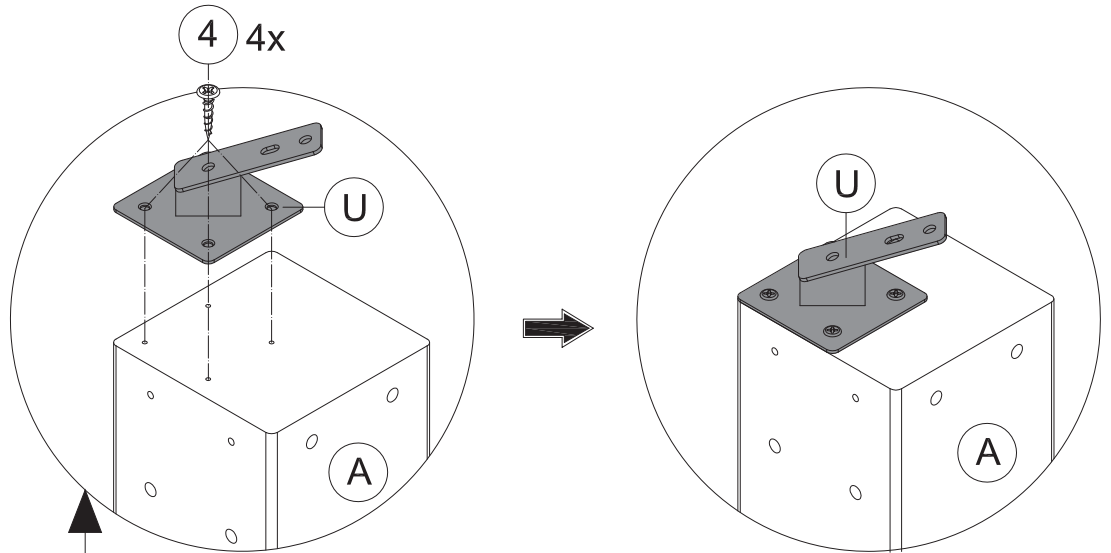
U 4x



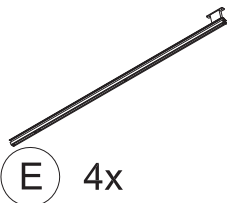
ST5x30

4 16x

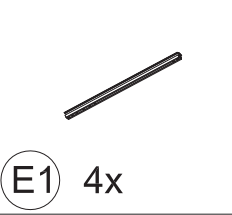
(1) Connect Part #U to Part #A with 4 Bolts #4.



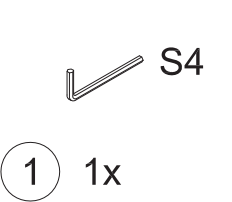
(2) Repeat the above procedures to assemble the other 3 corners.



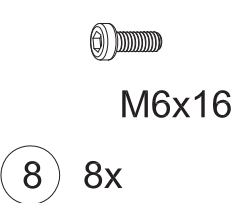
E 4x



E1 4x



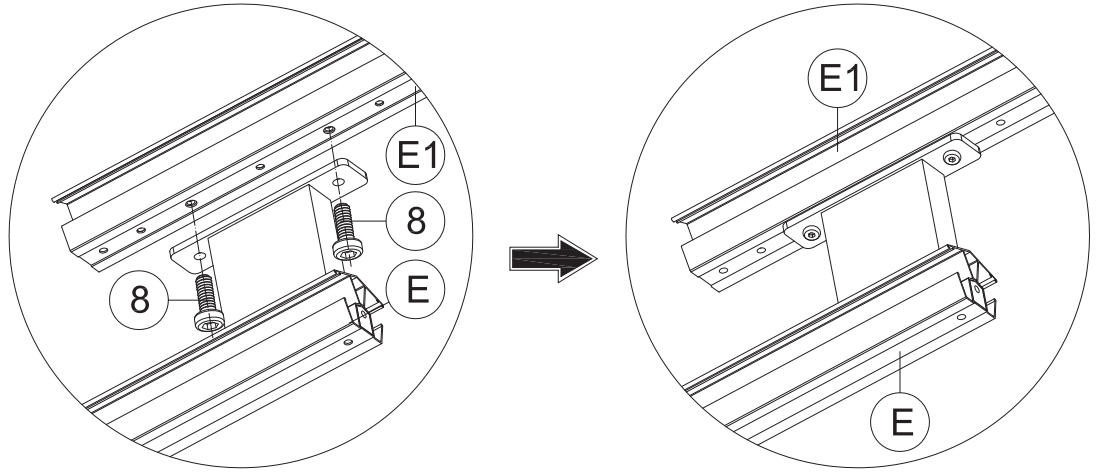
1 1x



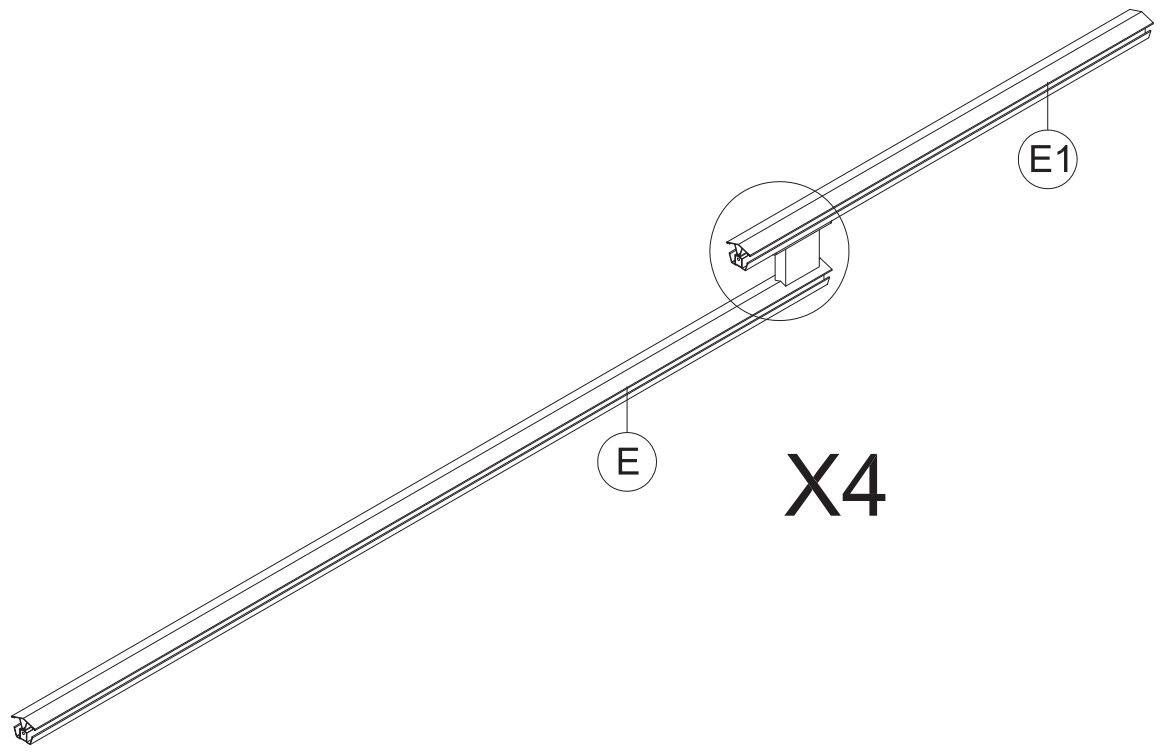
M6x16

8 8x

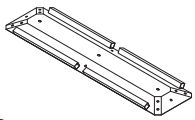
Assemble the 4 Corner Roof Bars:



(1) Connect Part #E1 and Part #E with 2 Bolts #8 .



(2) Repeat the above procedures to assemble the other 3 corner roof bars.



S 1x



1 1x



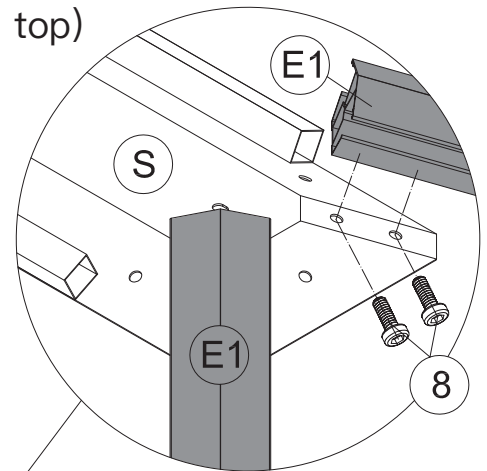
M6x16

8 16x

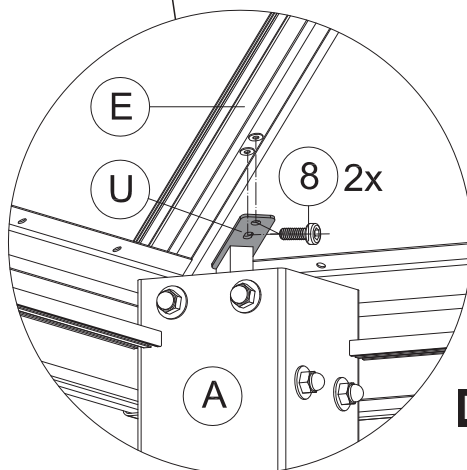
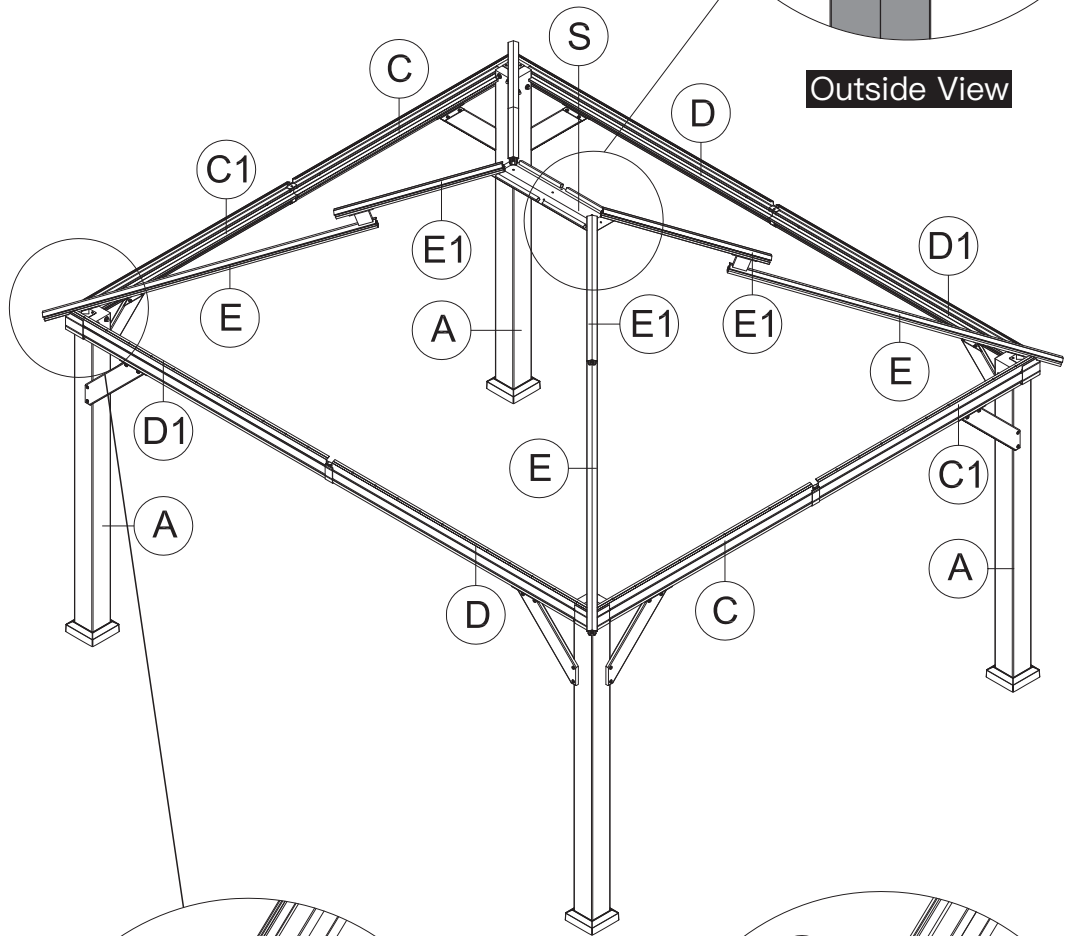
Please have a freestanding ladder ready at the center of the gazebo.

(1) Place 4 Part #E1 on the 4 corners of Part #S.
Secure with 8 Bolts #8 (from bottom to top)

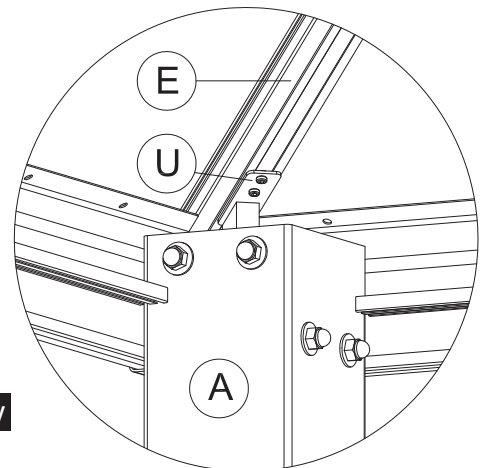
ATTENTION: You can also finish this step on the ground and then lift 4 corner roof bar and inside roof connector to the top together.
(Need 2 people and 2 ladder)



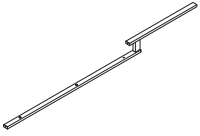
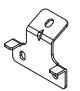

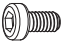
Outside View

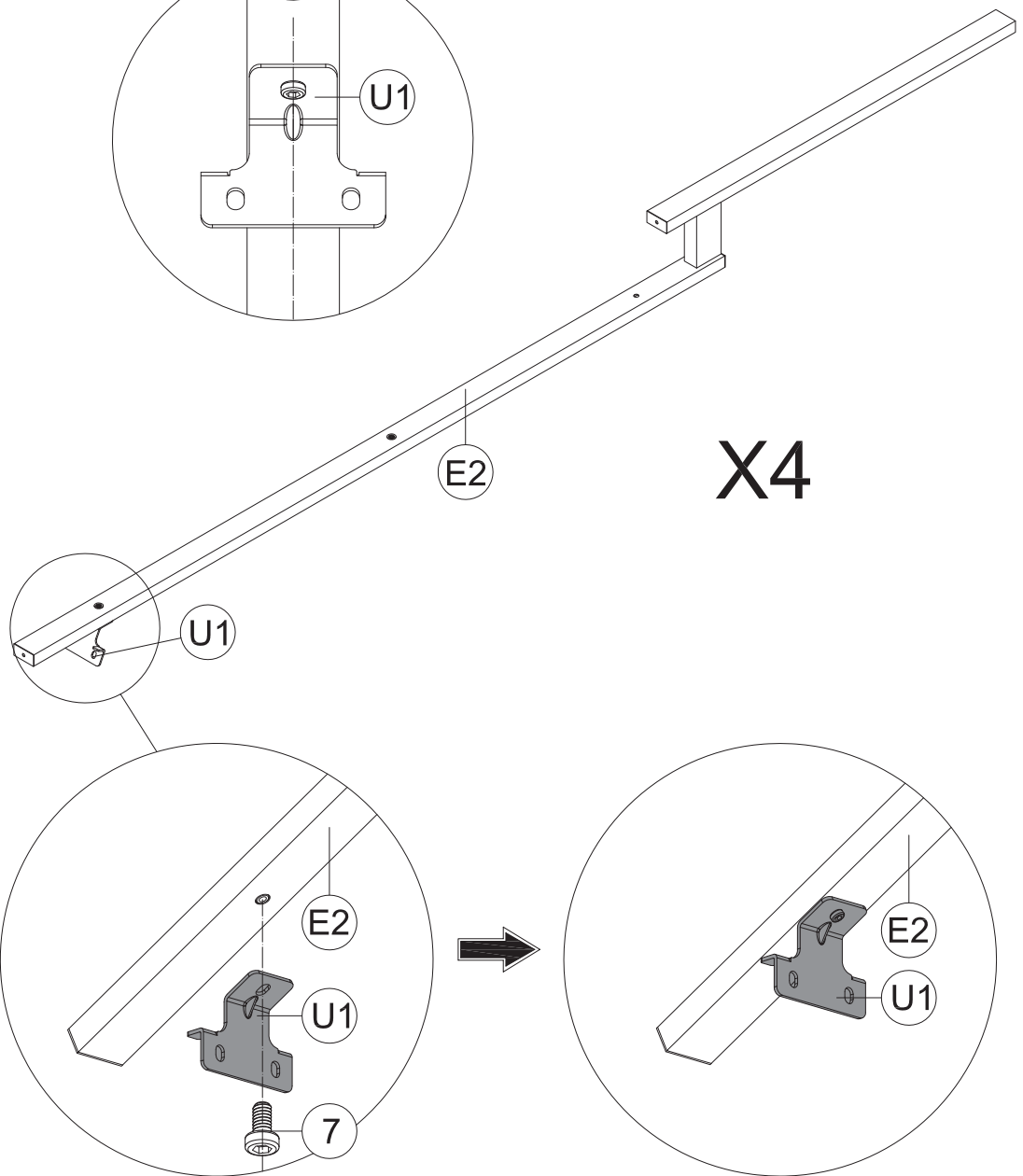
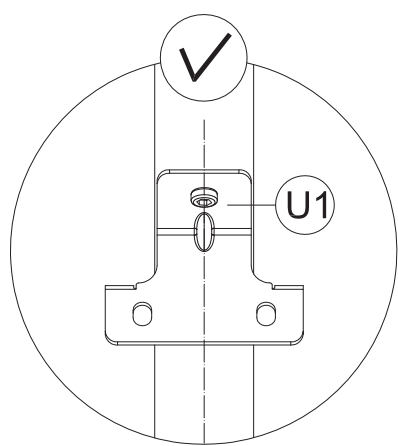
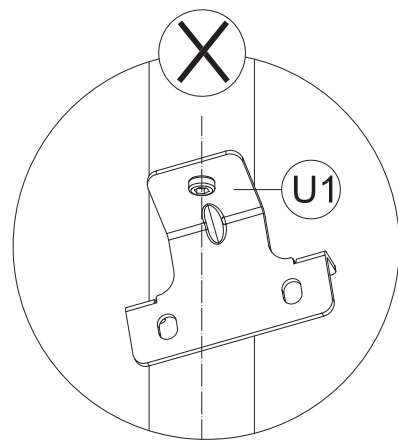
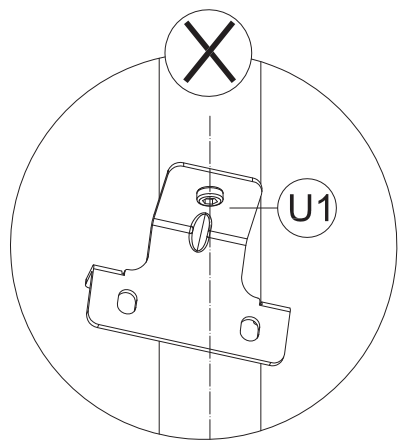


Inside View

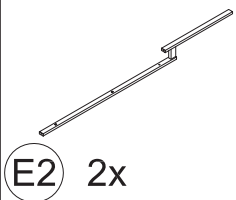


(2) Place 4 Part #E on 4 Part #A;
Secure with 4 Part U and 8 Bolts #8.

-  **E2** 4x
-  **U1** 4x
-  **1** 1x
-  **7** 4x
M6x10



(1) Attach Part #U1 to Part #E2 with Bolt #7 .
 (2) Repeat the above procedures to assemble the other 3 roof bars.



E2 2x



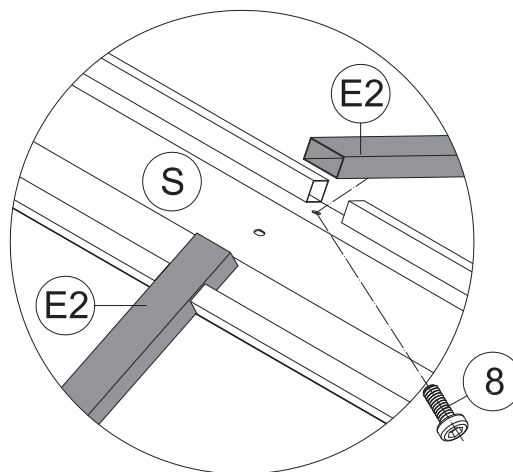
S4

1 1x



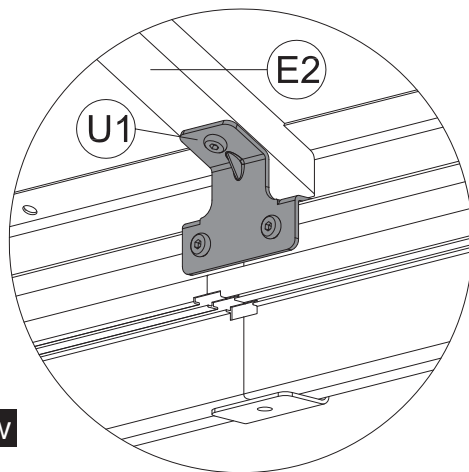
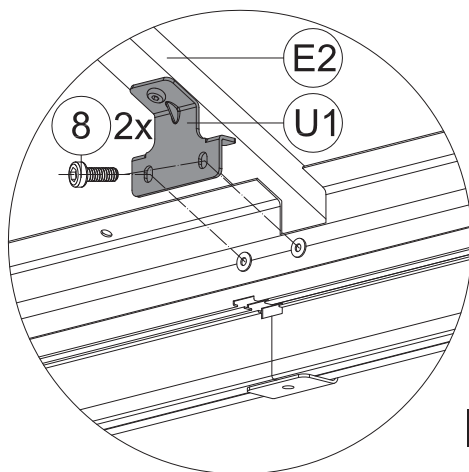
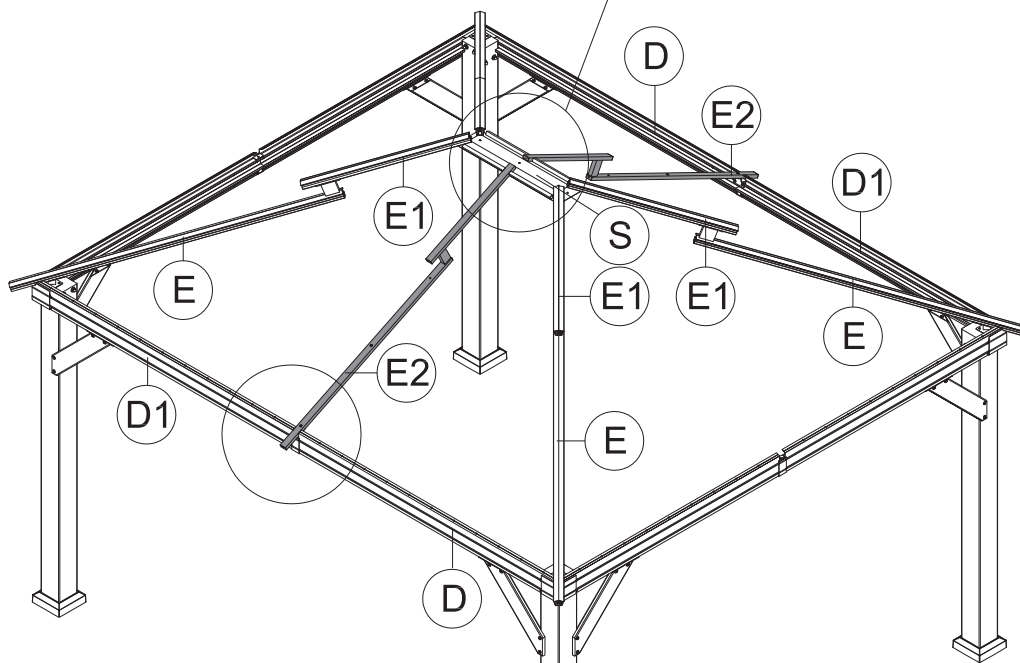
M6x16

8 6x



(1) Place Part #E2 on Part #S.
Secure with Bolt #8 (from bottom to top).

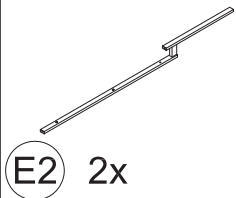
Outside View



Inside View

(2) Connect Part #E2 and the Assembled Beam(D&D1) with part #U1.
Secure with 2 Bolts #8.

(3) Repeat the above procedures to assemble the opposite side.



E2 2x



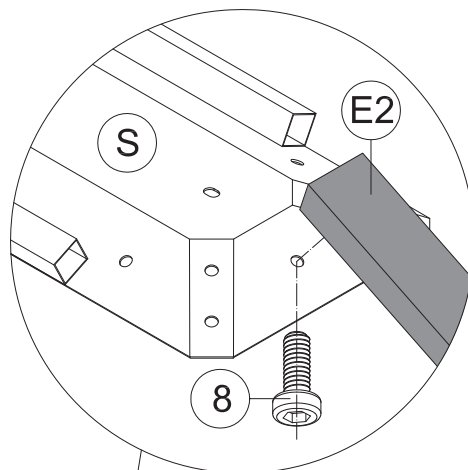
1 1x



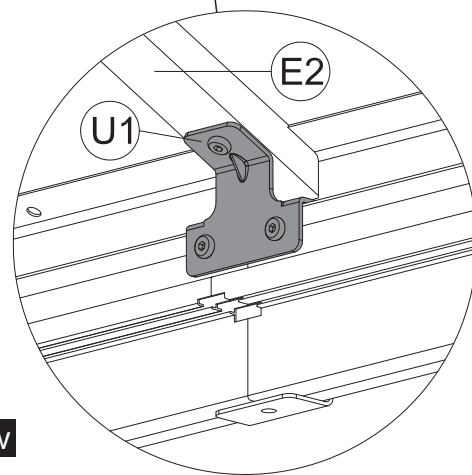
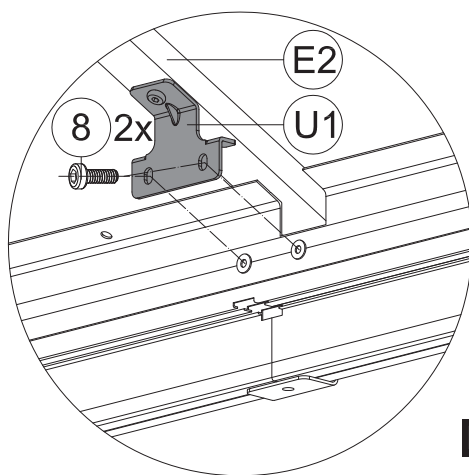
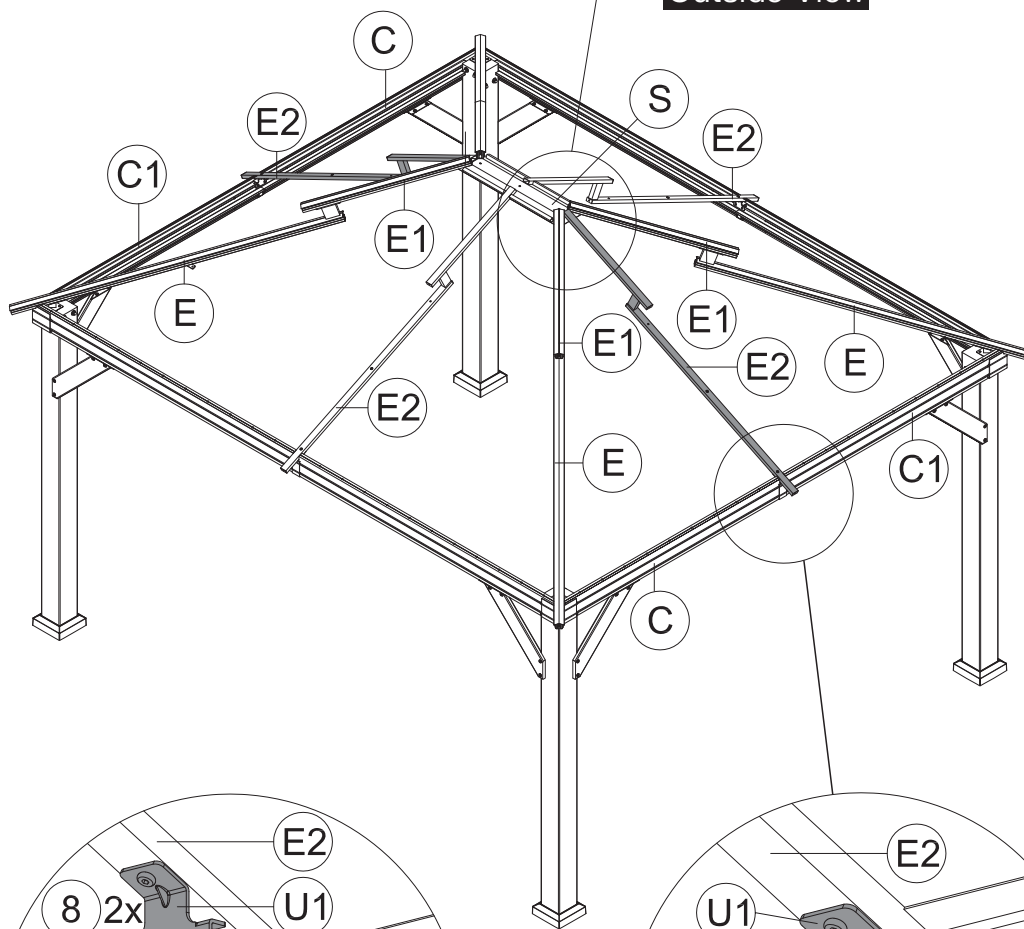
M6x16

8 6x

(1) Place Part #E2 on part #S. Secure with Bolt #8 (from bottom to top).



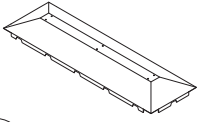
Outside View



Inside View

(2) Connect Part #E2 and the Assembled Beam(C&C1) with part #U1. Secure with 2 Bolts #8 .

(3) Repeat the above procedures to assemble the opposite side.

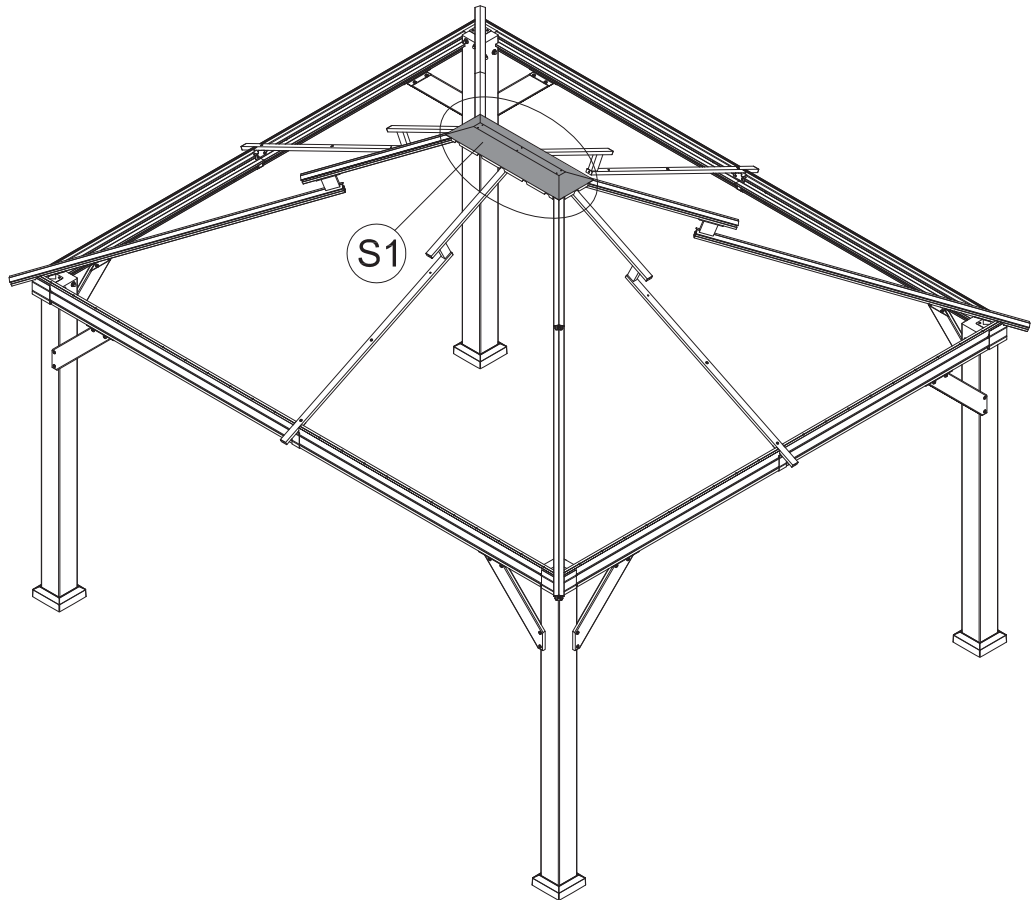
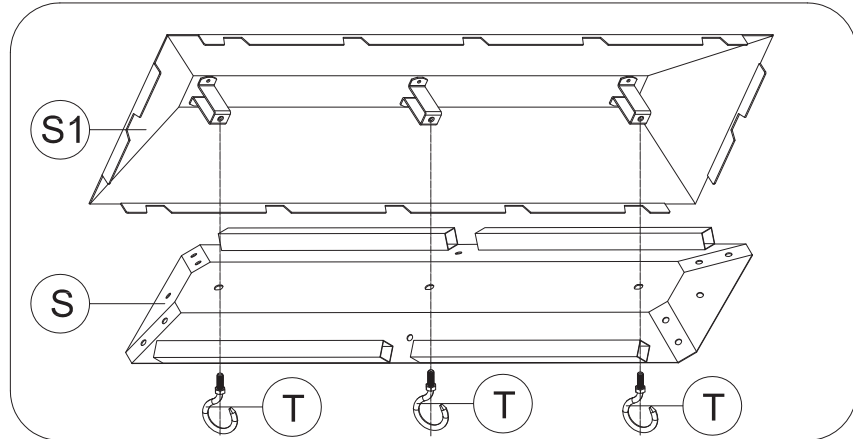


(S1) 1x

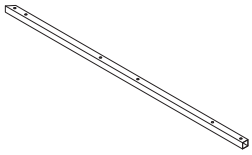


(T) 3x

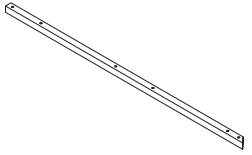
Secure Part #T to Part #S and Part #S1.
(From Bottom to Top)



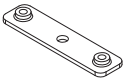
ATTENTION: The holes of Part #S and Part #S1 need to be aligned, on the same vertical line.



G 2x



G1 2x



U3 2x



1 1x



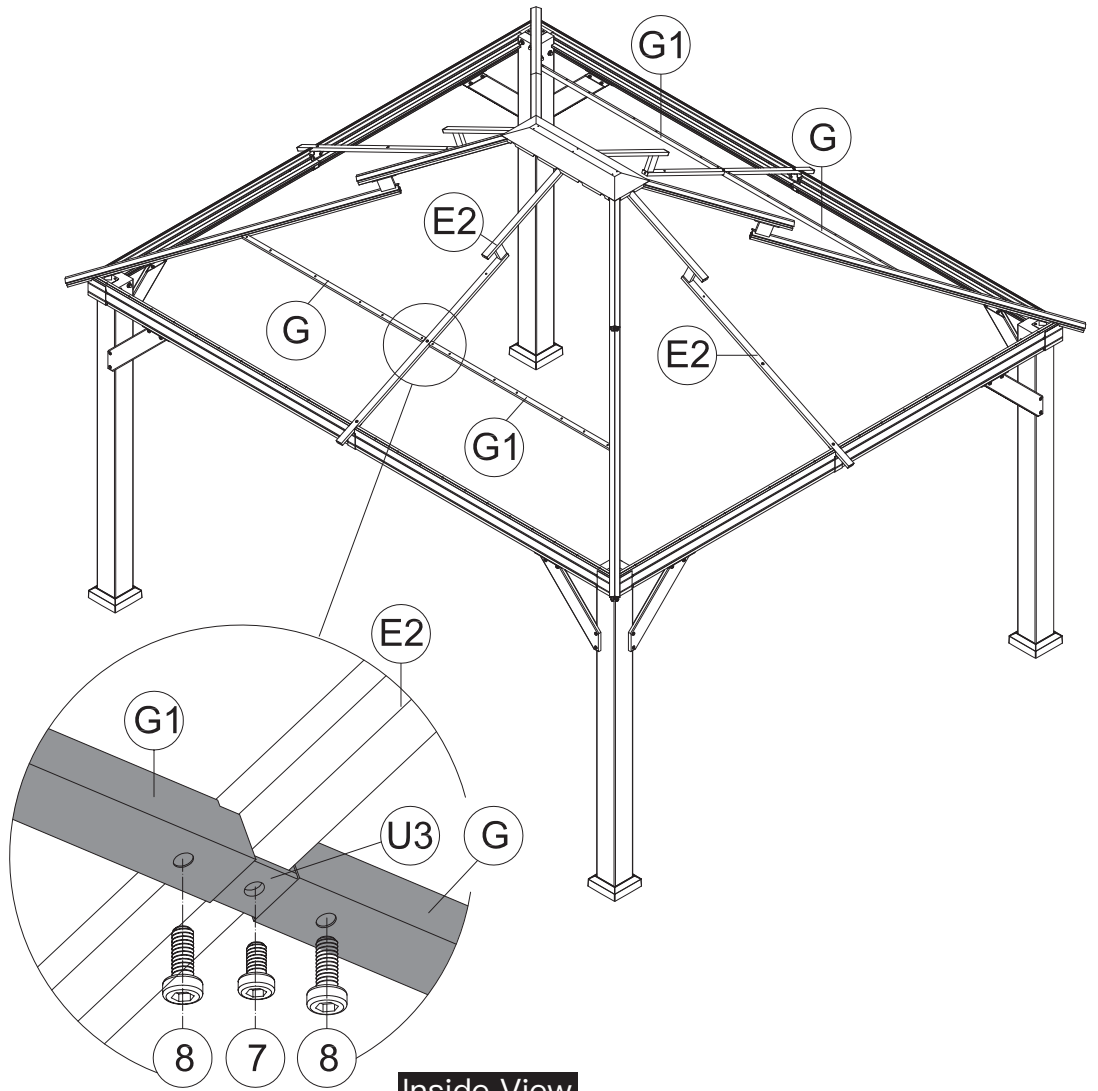
M6x10

7 2x



M6x16

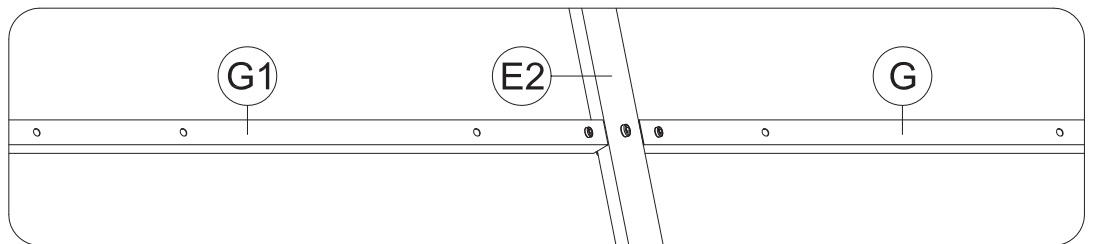
8 4x

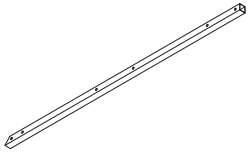


(1) Insert Part #U3 into Part #G and Part #G1.

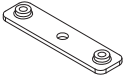
(2) Attach Part #G and Part #G1 to the Part #E2 with 1 Bolt #7 and 2 Bolts #8.

(3) Repeat the above procedures to assemble the opposite side.





F 4x



U3 2x



1 1x



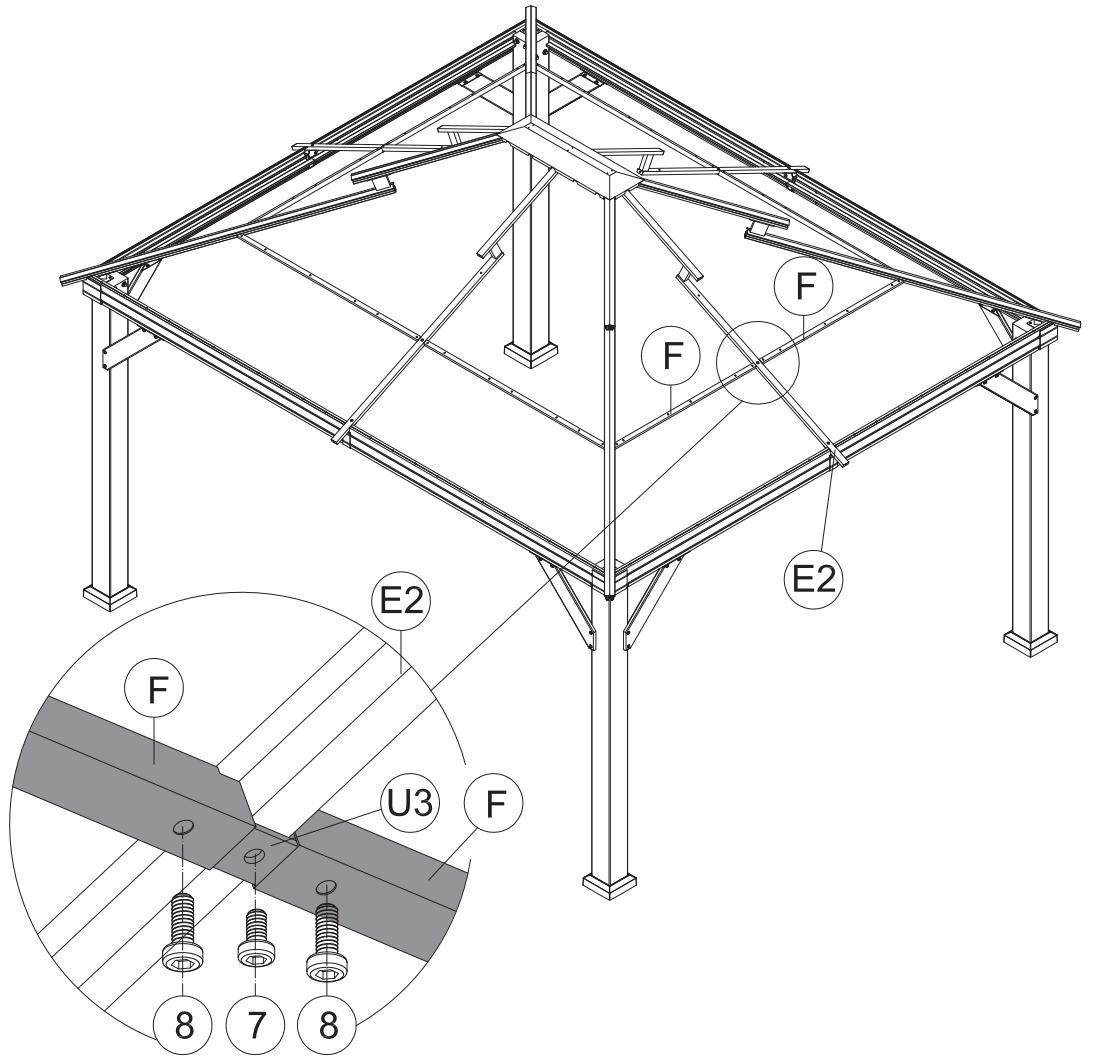
M6x10

7 2x



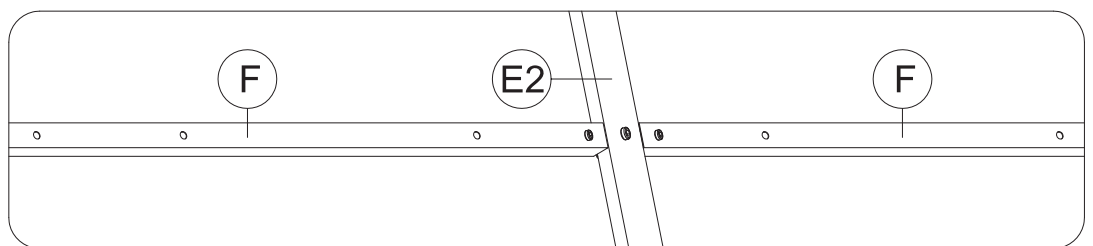
M6x16

8 4x



Inside View

- (1) Insert Part #U3 into 2 Part #F.
- (2) Attach Part #F to the Part #E2 with 1 Bolt #7 and 2 Bolts #8.
- (3) Repeat the above procedures to assemble the opposite side.



Outside View



U2 2x

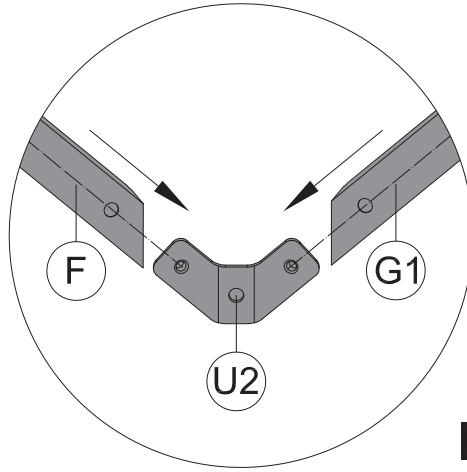


1 1x

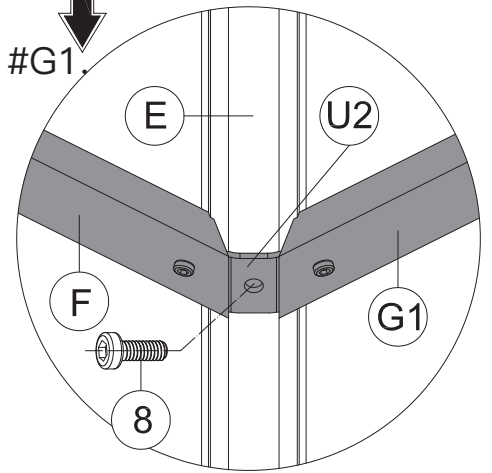
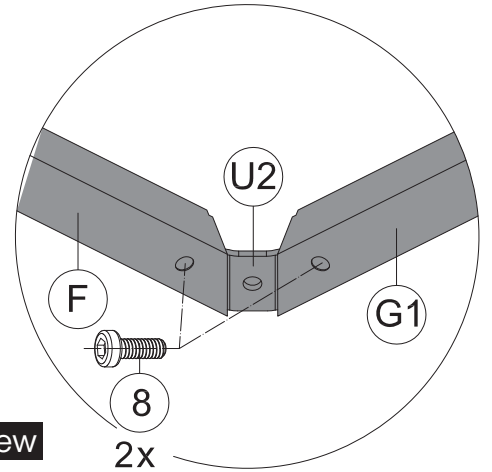


M6x16

8 12x



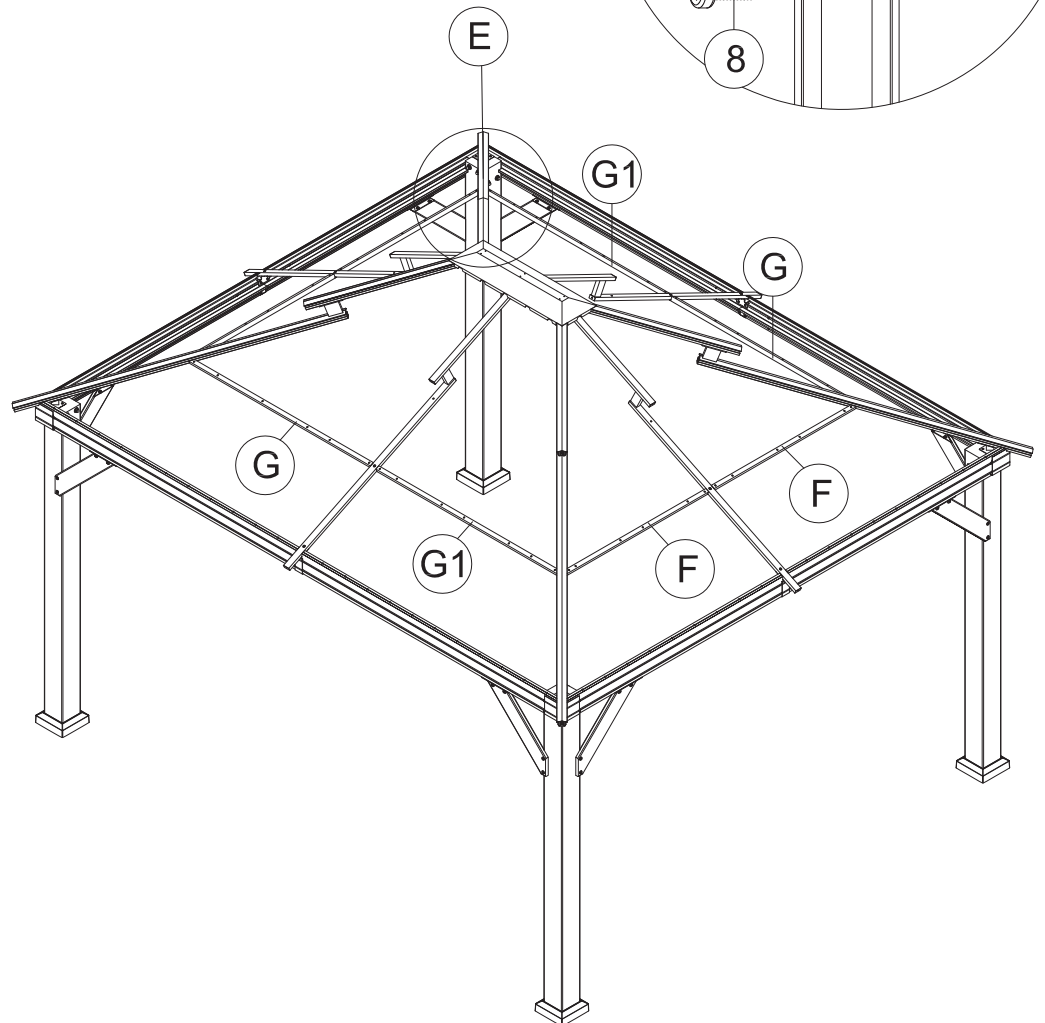
Inside View



(1) Insert Part #U2 into Part #F and Part #G1.

(2) Secure with 2 Bolts #8.

(3) Secure them to Part #E with Bolt #8.



(4) Repeat the above procedures to assemble the opposite sides.



U2 2x

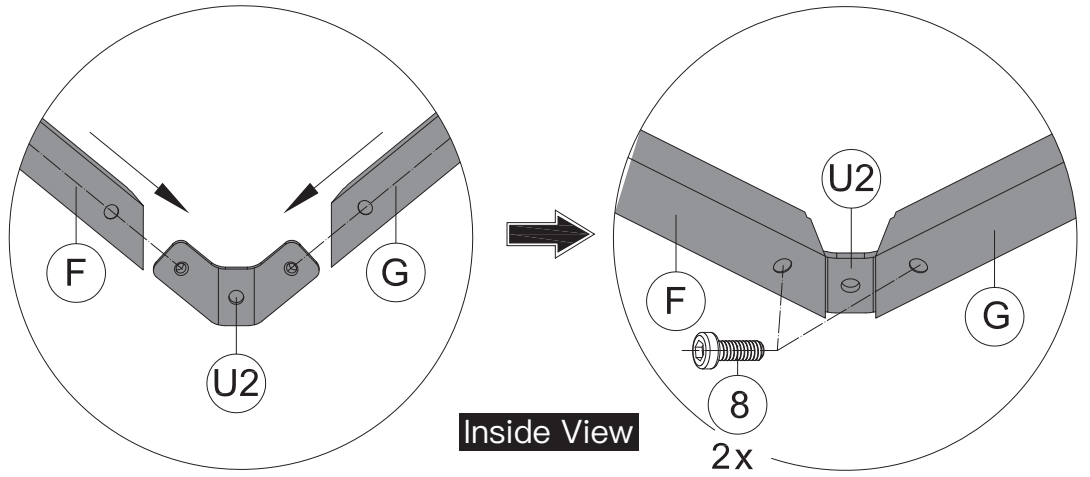


1 1x

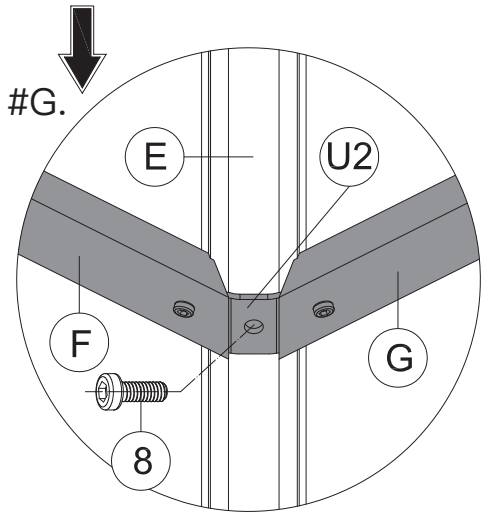


M6x16

8 12x



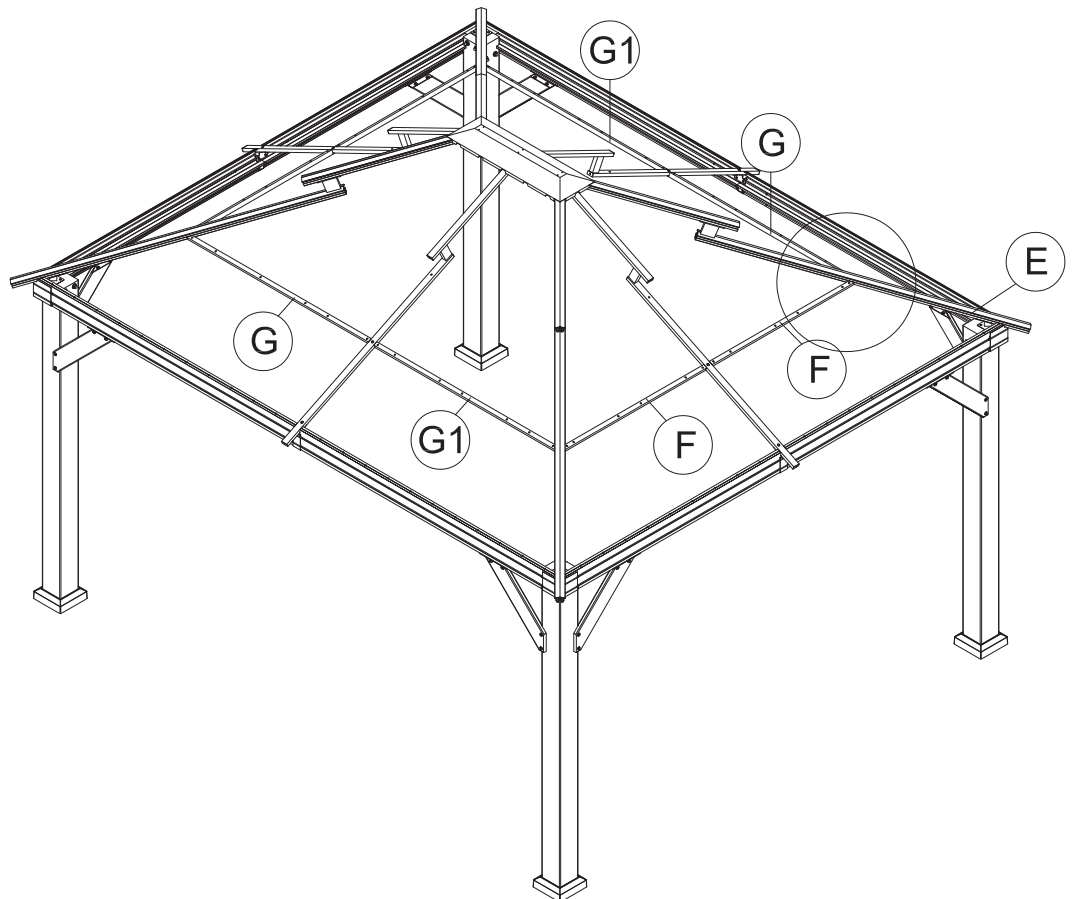
Inside View



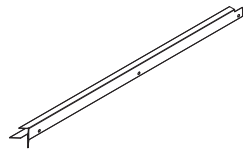
(1) Insert Part #U2 into Part #F and Part #G.

(2) Secure with 2 Bolts #8.

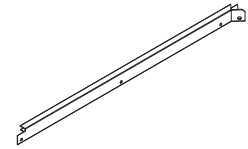
(3) Secure them to Part #E with Bolt #8.



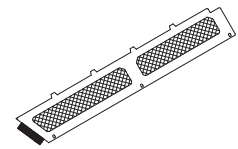
(4) Repeat the above procedures to assemble the opposite sides.



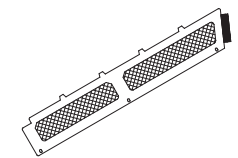
J1 2x



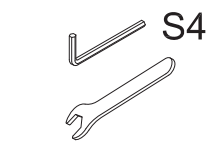
J2 2x



Q1 2x



Q2 2x



1 1x



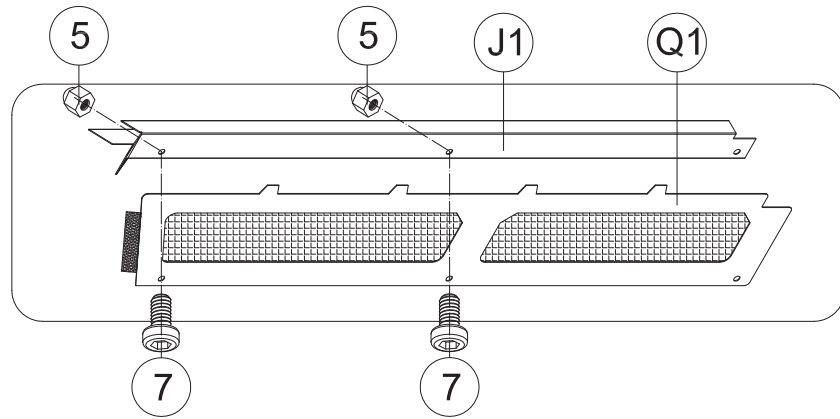
5 8x



7 8x

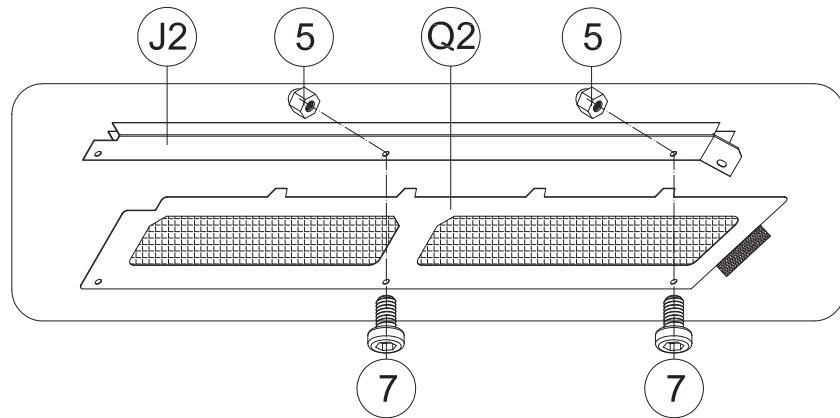
25

(1) Connect Part #J1 and Part #Q1 with 2 Bolts #7 and 2 Nuts #5.

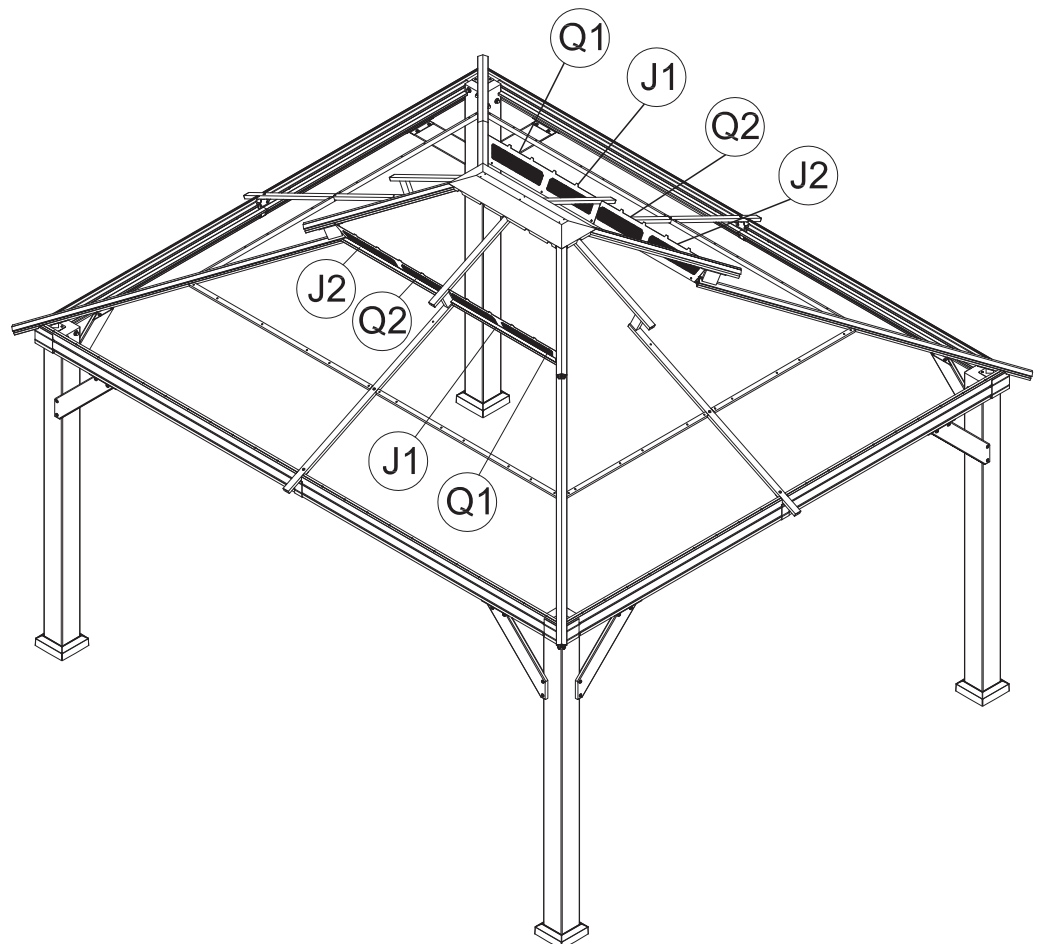


X2

(2) Connect Part #J2 and Part #Q2 with 2 Bolts #7 and 2 Nuts #5.



X2



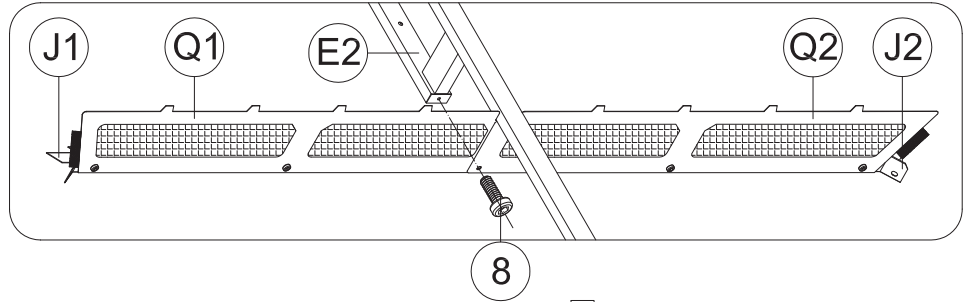


1 1x

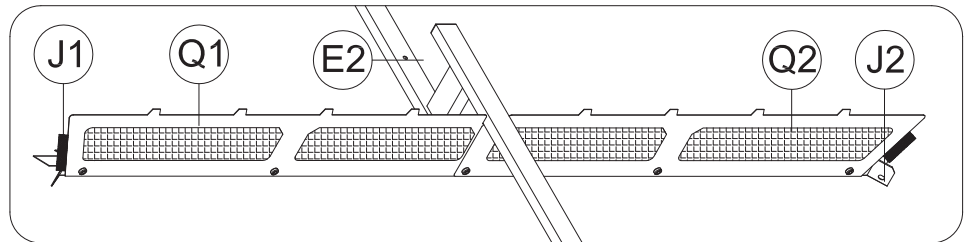


M6x16

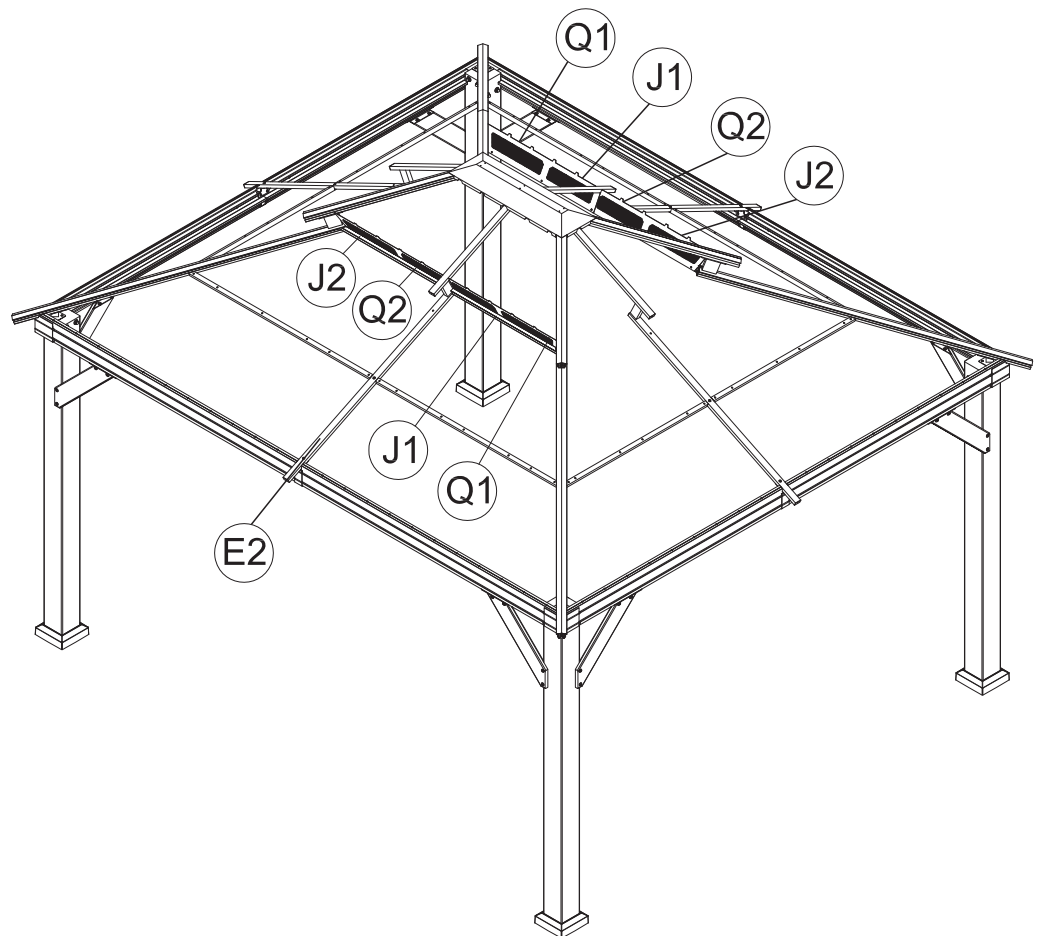
8 2x



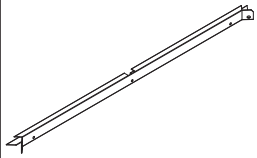
Inside View



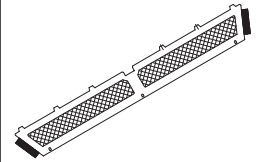
(1) Place the Assembled J1 & Q1 and J2 & Q2 on Part #E2, securing with 1 Bolt #8.



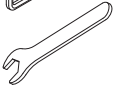
(2) Repeat the above procedures to assemble the opposite side.



J 2x



Q 2x



1 1x



M6

5 4x



M6x10

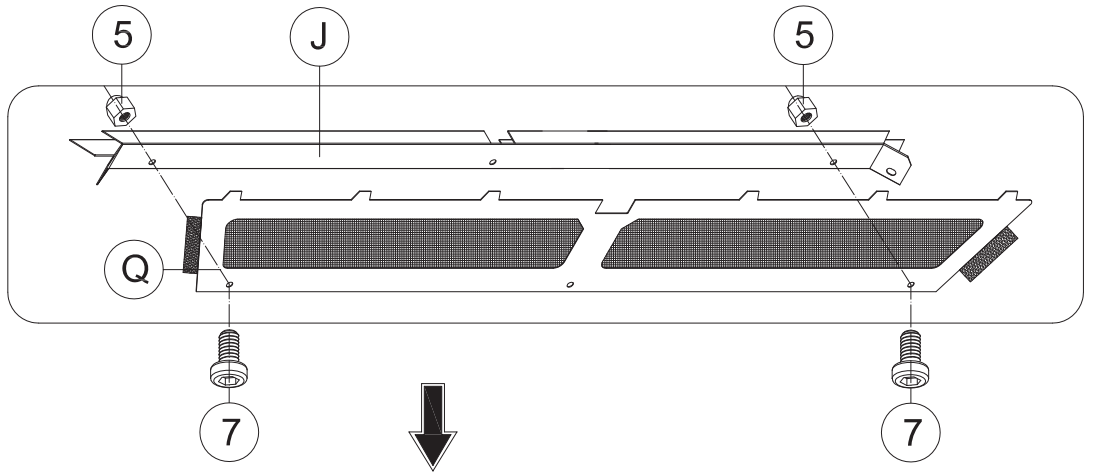
7 4x



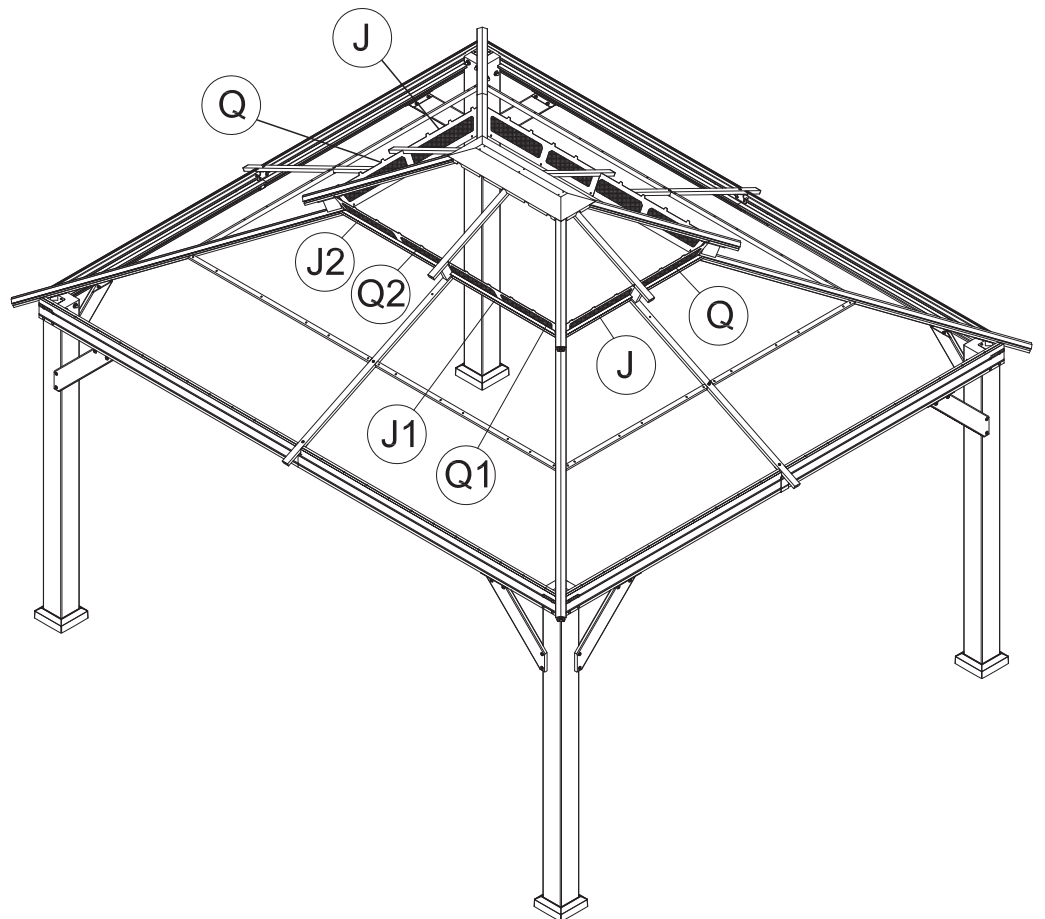
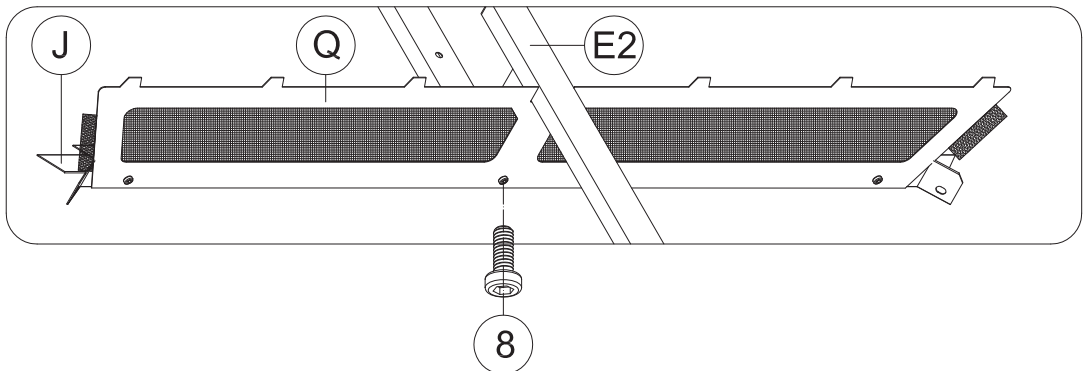
M6x16

8 2x

(1) Connect Part #J and Part #Q with 2 Bolts #7 and 2 Nuts #5.



(2) Place the Assembled Part #J & #Q on Part #E2, securing with 1 Bolt #8.



(3) Repeat the above procedures to assemble the opposite side.



(X3) 4x



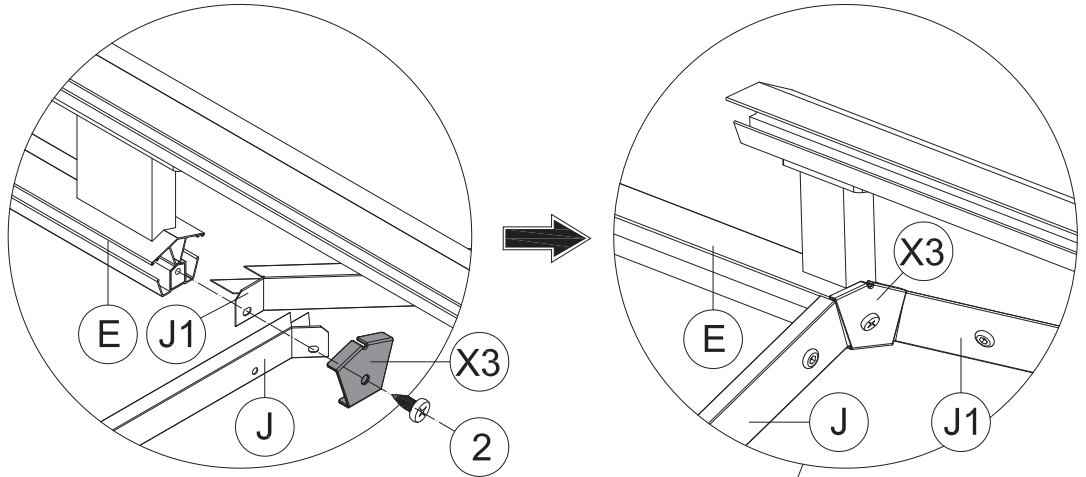
(1) 1x



ST6.3x15

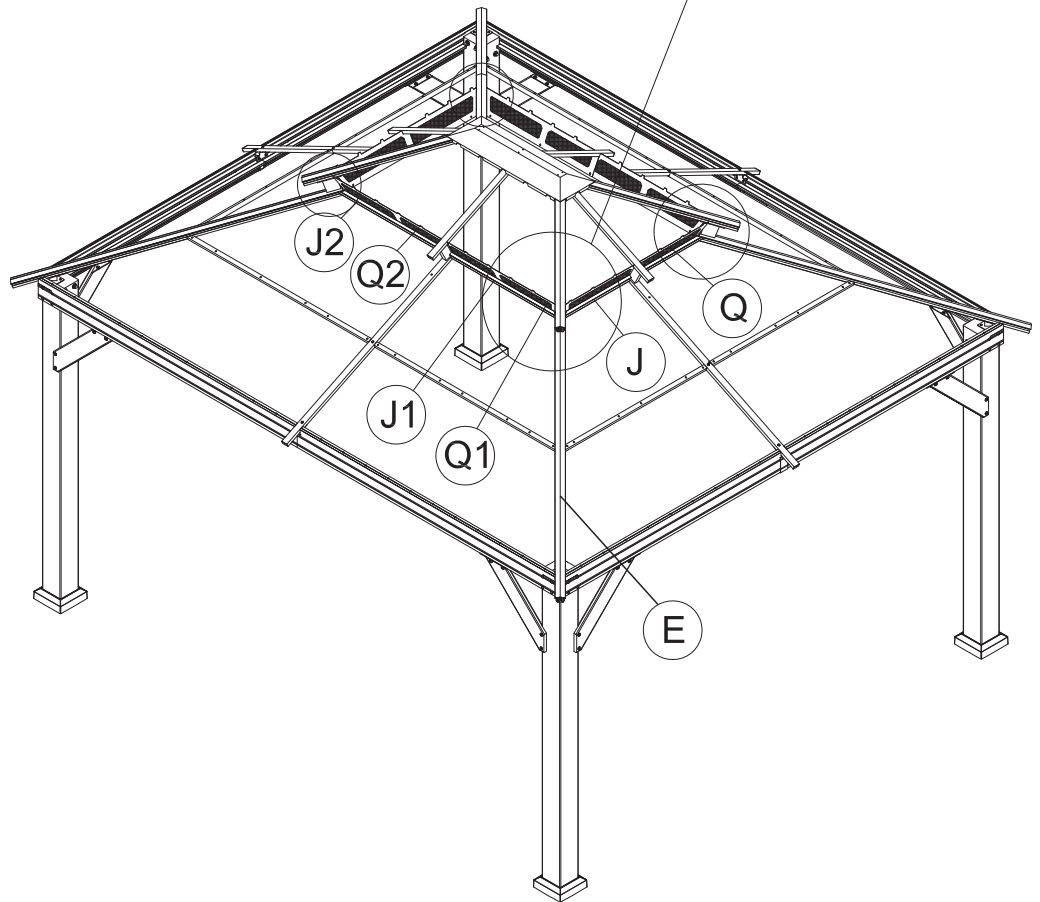
(2) 4x

(1) Place Part #J and Part #J1/J2 on Part #E;
put on Part #X3 and secure with Self-tapping Screw #2.



Inside View

Inside View



(2) Repeat the above procedures to assemble the other 3 corners.

Cover Part #Z, #Z1 & #Z2 to Roof Panels.

L1 2x

L2 2x

L3 2x

L4 2x

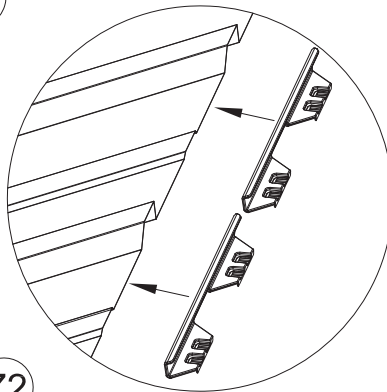
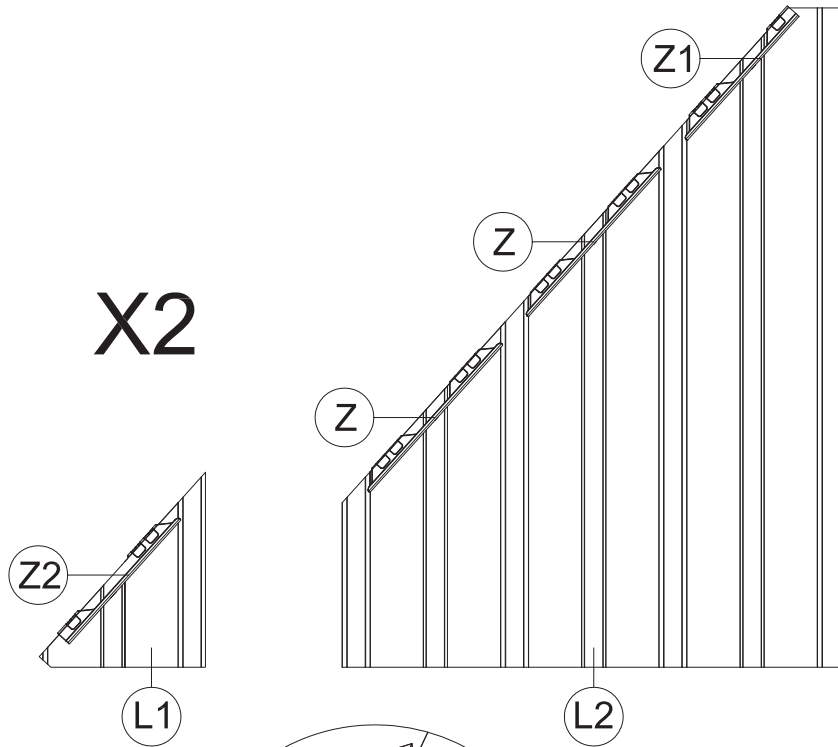
Z 8x

Z1 4x

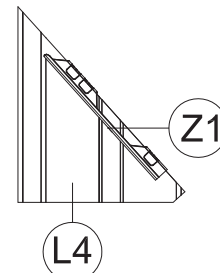
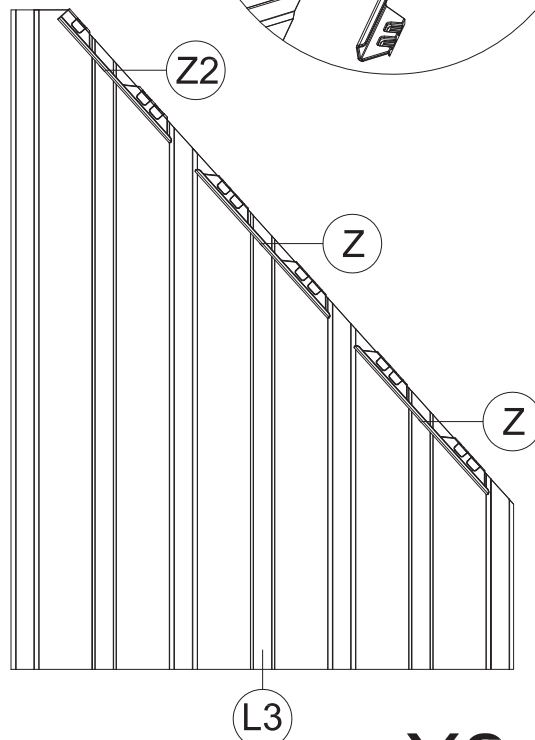
Z2 4x

29

X2



Section View

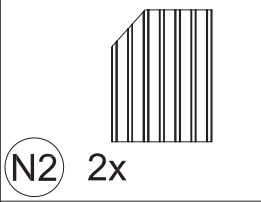


X2

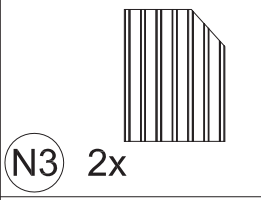
Cover Part #Z, #Z3 & #Z4 to Roof Panels.



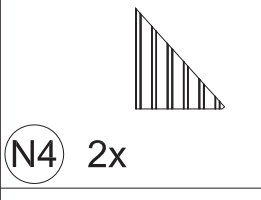
N1 2x



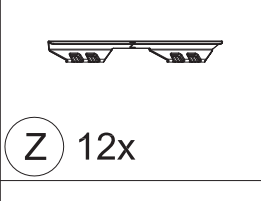
N2 2x



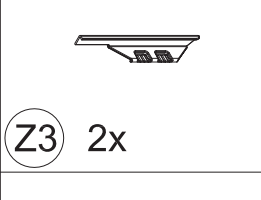
N3 2x



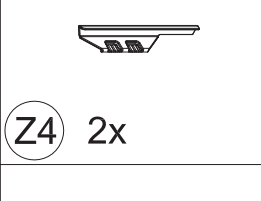
N4 2x



Z 12x

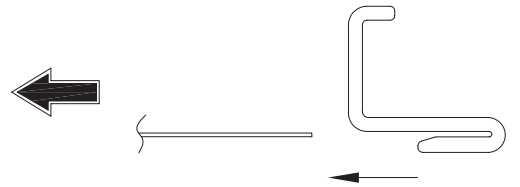
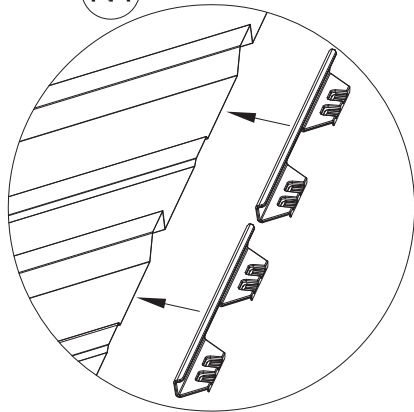
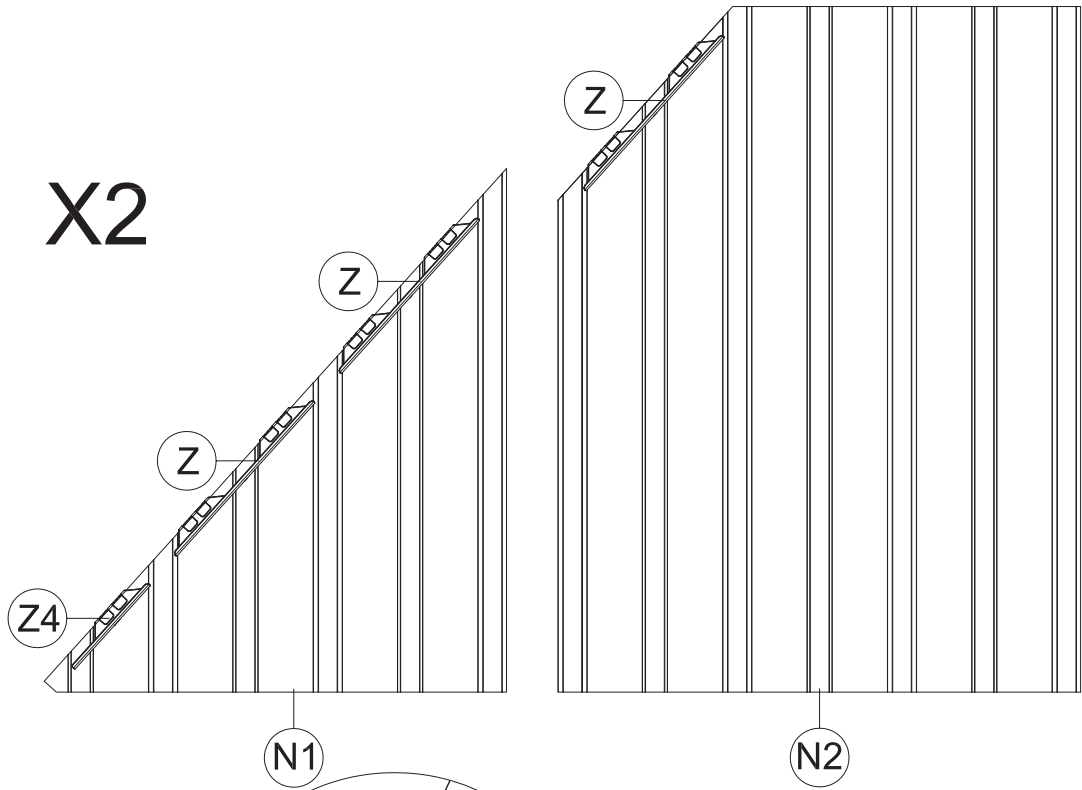


Z3 2x



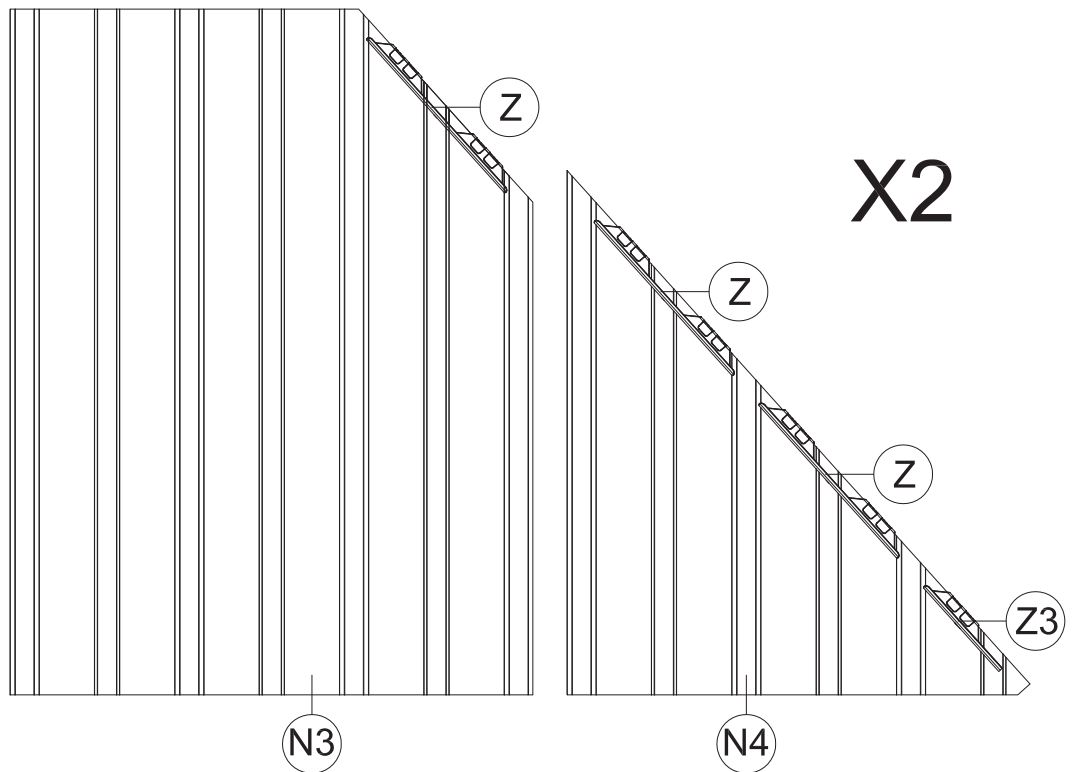
Z4 2x

X2

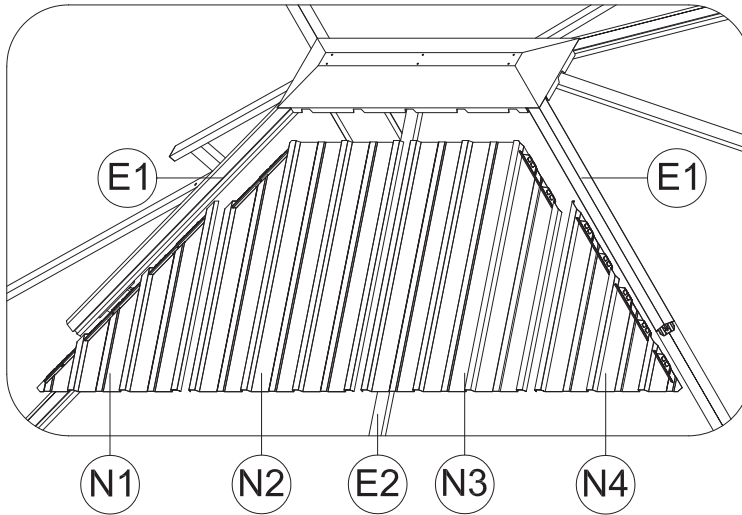


Section View

X2



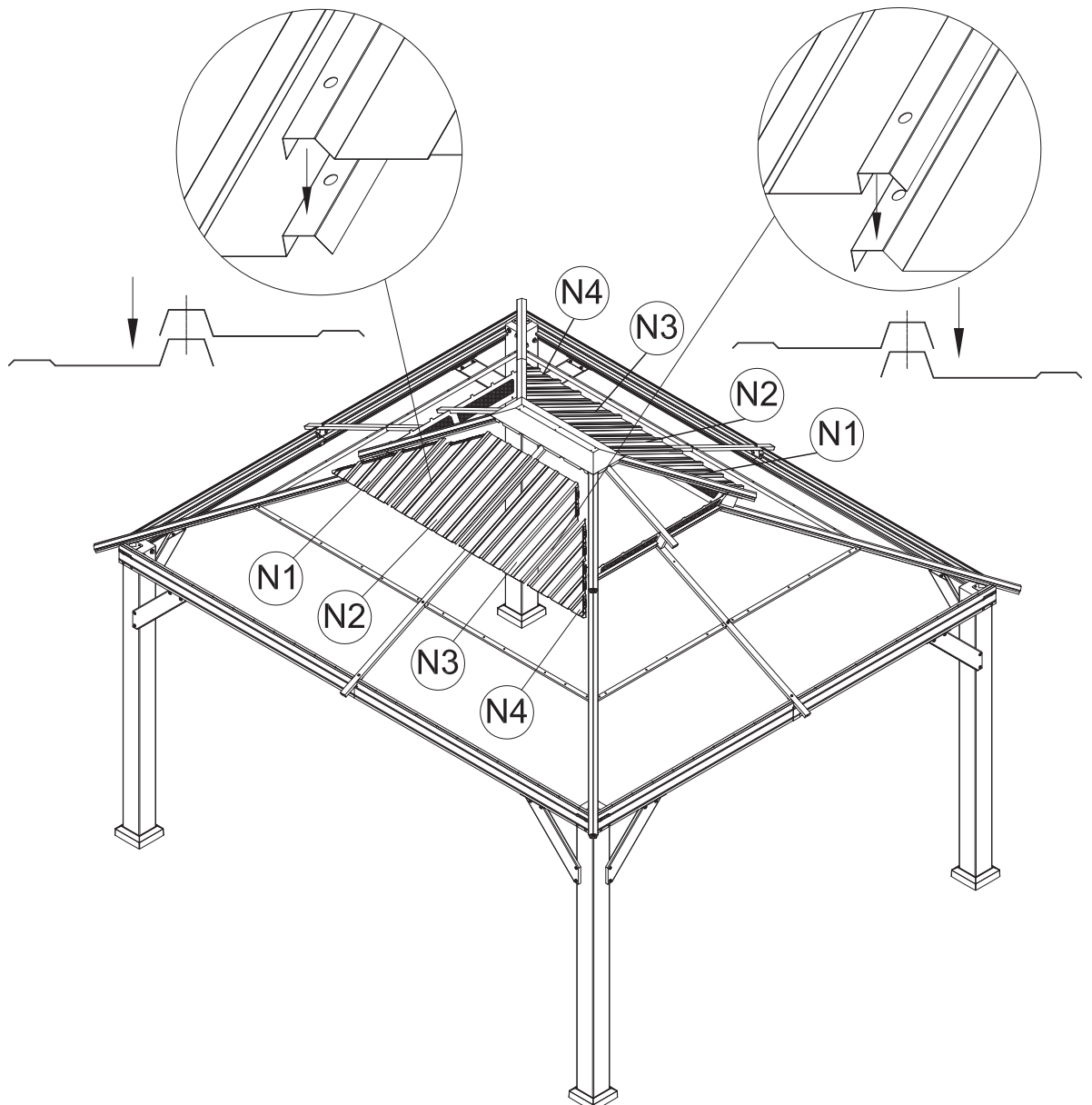
ATTENTION: The bigger roof panel need to cover the smaller one.



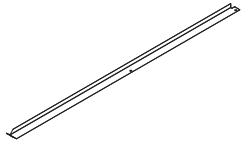
▲ If you can't install N2 or N3, push the outside roof cover up and try to insert them again.

(1) Insert Part #N1 and Part #N2 into the frame.

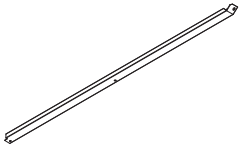
(2) Insert Part #N4 and Part #N3 into the frame.



(3) Repeat the above procedures to assemble the opposite side.



(H1) 2x



(H2) 2x



(X2) 2x



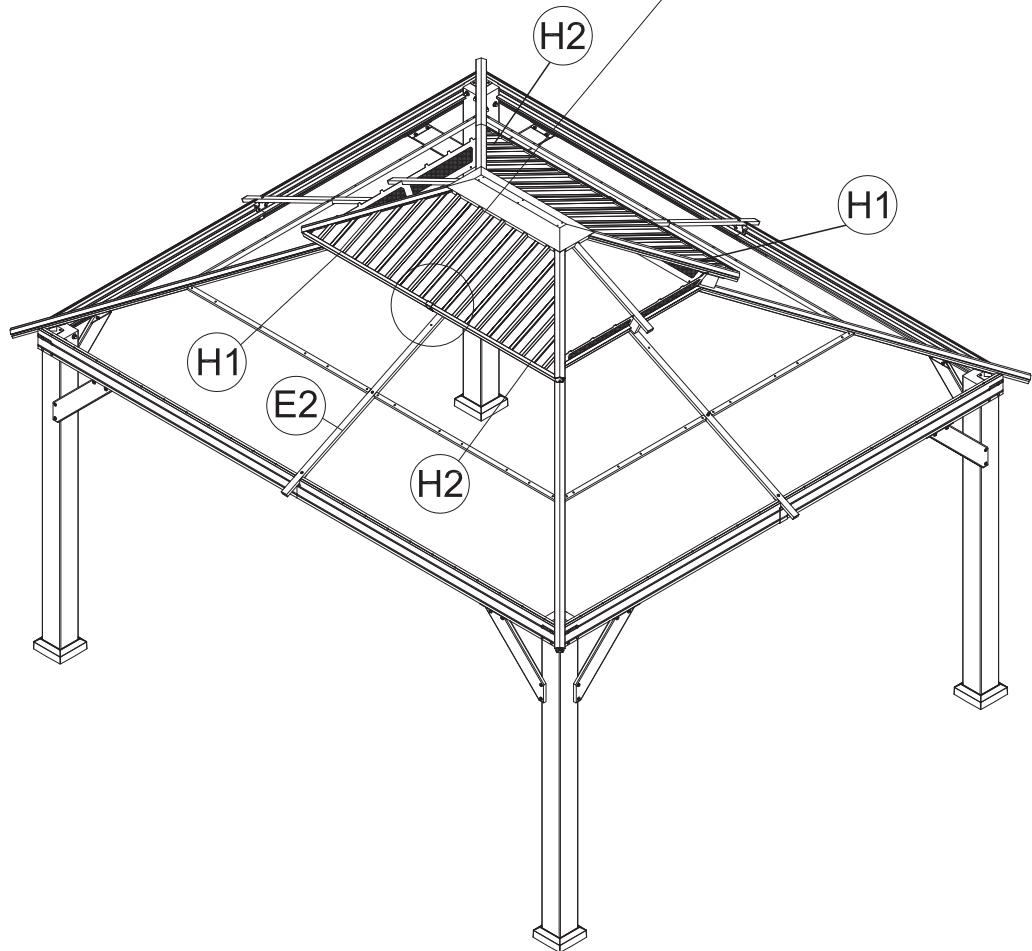
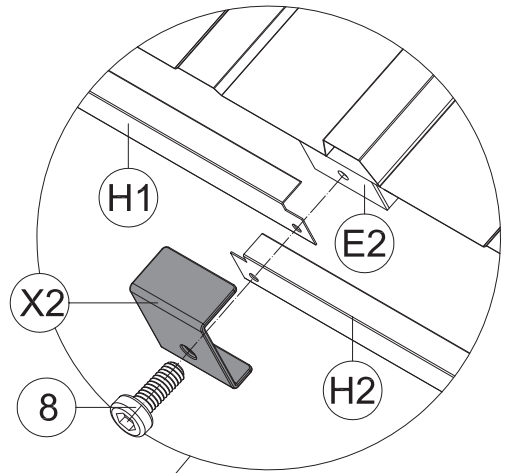
(1) 1x



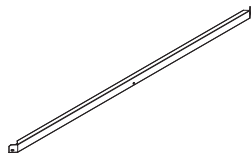
M6x16

(8) 2x

(1) Place Part #H1 and Part #H2 on Part #E2;
put on Part #X2 and secure with Bolt #8.



(2) Repeat the above procedures to assemble the opposite side.



(H) 2x



(1) 1x



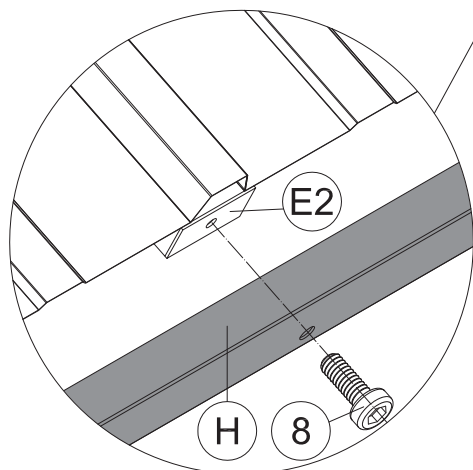
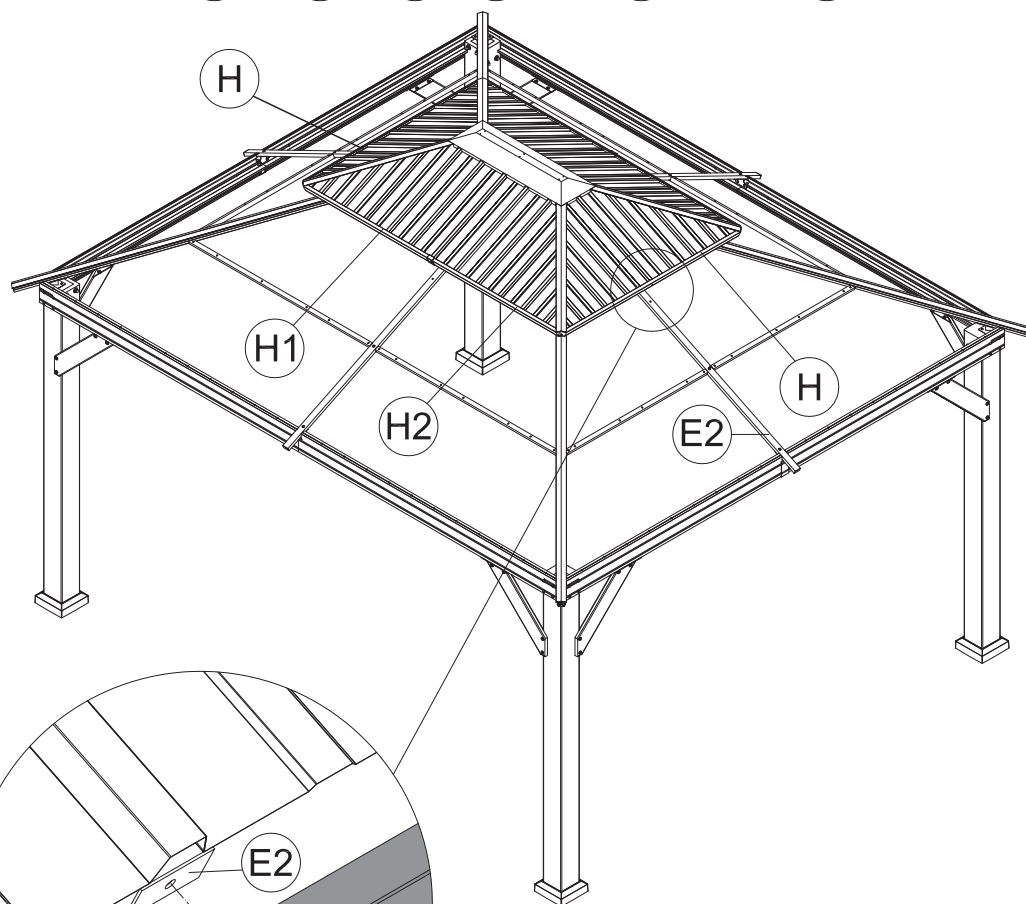
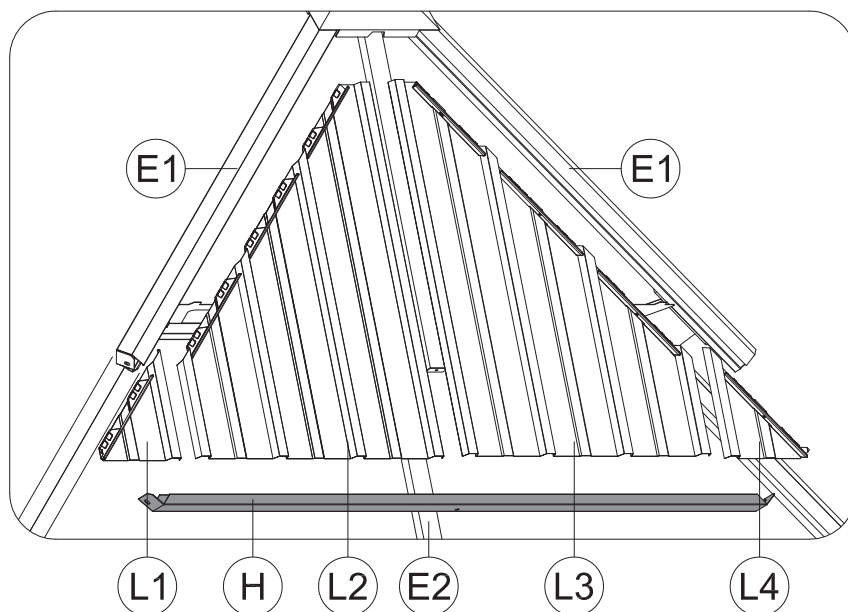
M6x16

(8) 2x

ATTENTION: The bigger roof panel need to cover the smaller one.

(1) Insert Part #L1 and Part #L2 into the frame.

(2) Insert Part #L4 and Part #L3 into the frame.



(3) Attach Part #H to Part #E2, securing with Bolt #8.

(4) Repeat the above procedures to assemble the opposite side.



X3 4x



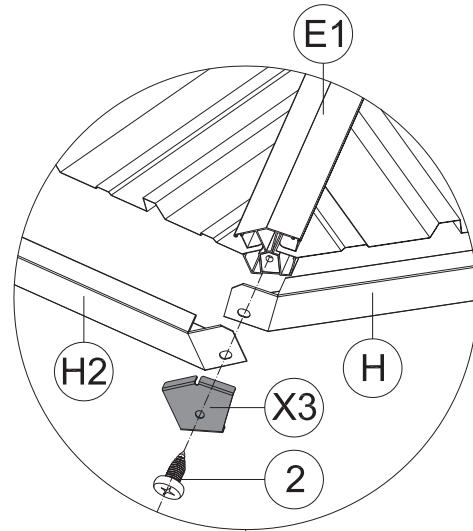
1 1x



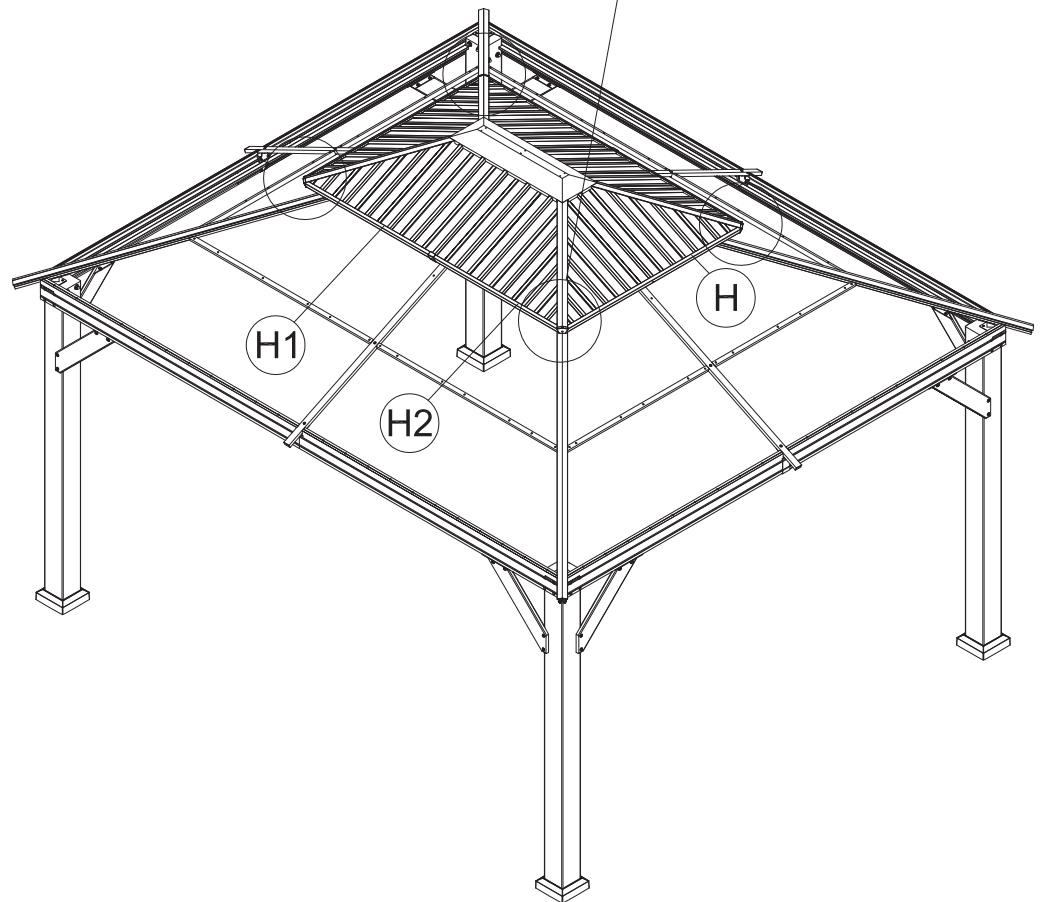
ST6.3x15

2 4x

(1) Place Part #H and Part #H2 on Part #E1;
put on Part #X3 and secure with Self-tapping Screw #2

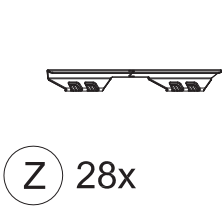
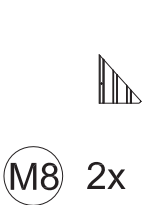
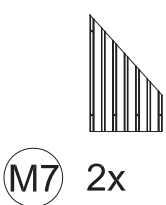
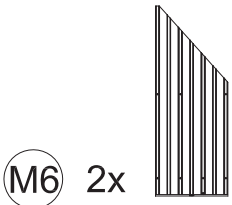
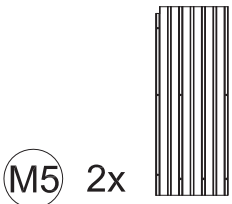
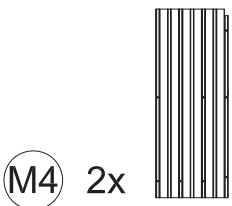
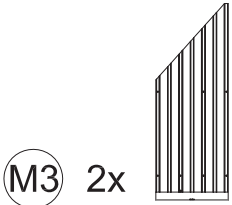
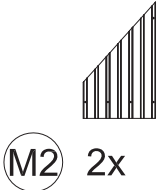
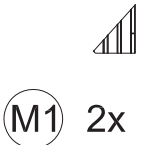


Outside View

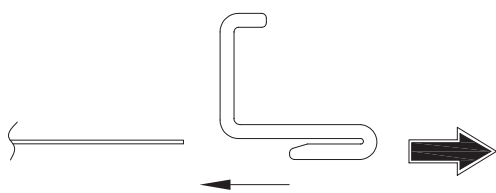
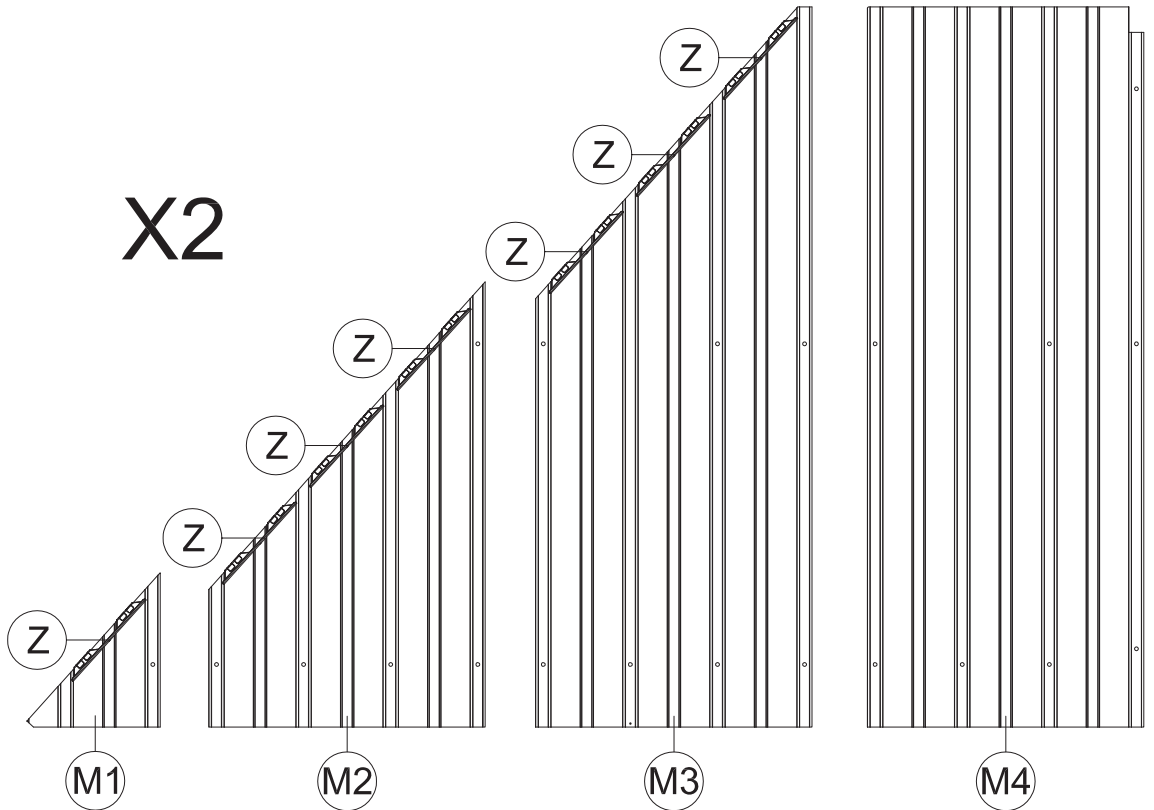


(2) Repeat the above procedures to assemble the other 3 corners.

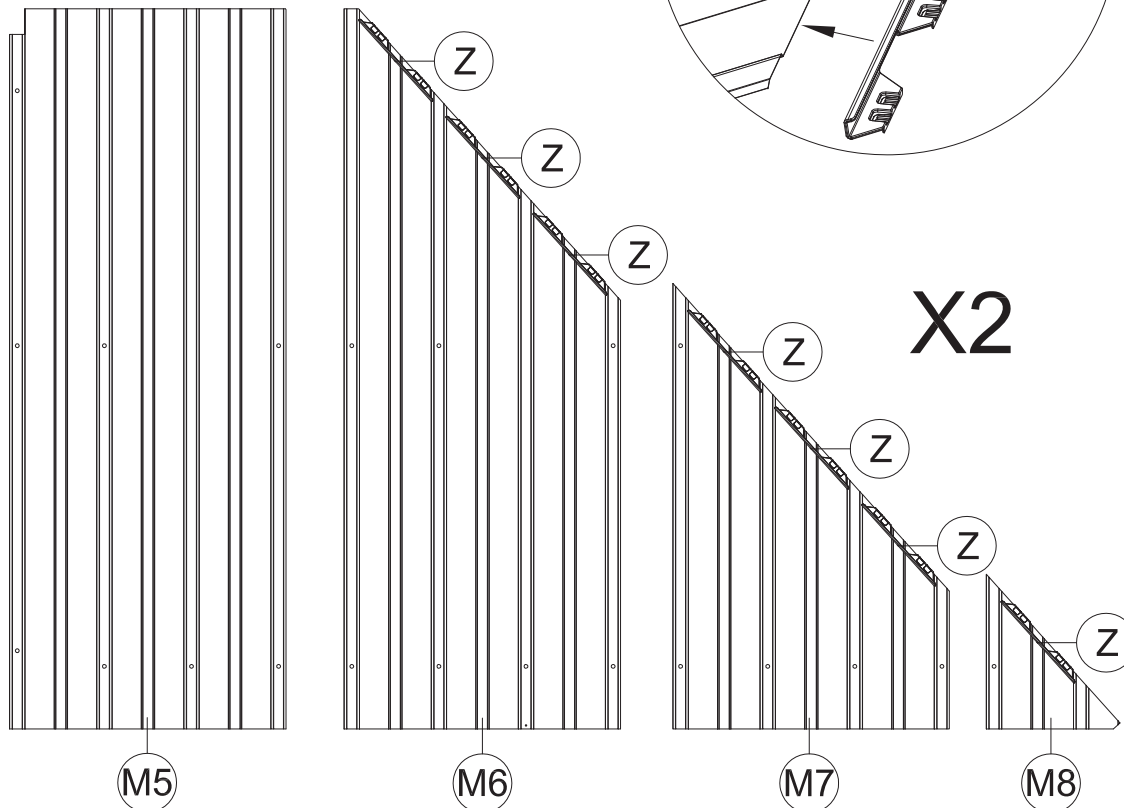
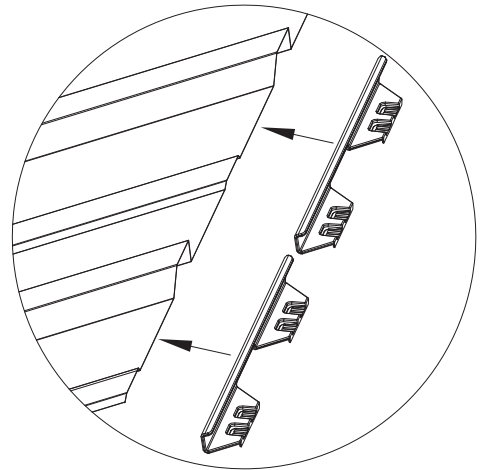
Cover Part #Z to Roof Panels



35



Section View



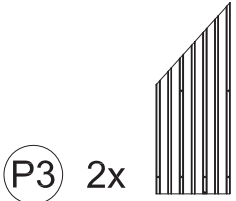
Cover Part #Z to Roof Panels



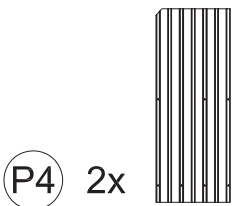
P1 2x



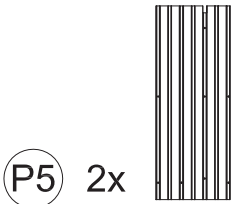
P2 2x



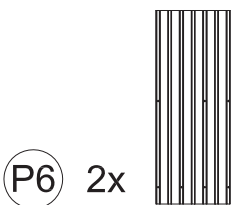
P3 2x



P4 2x



P5 2x

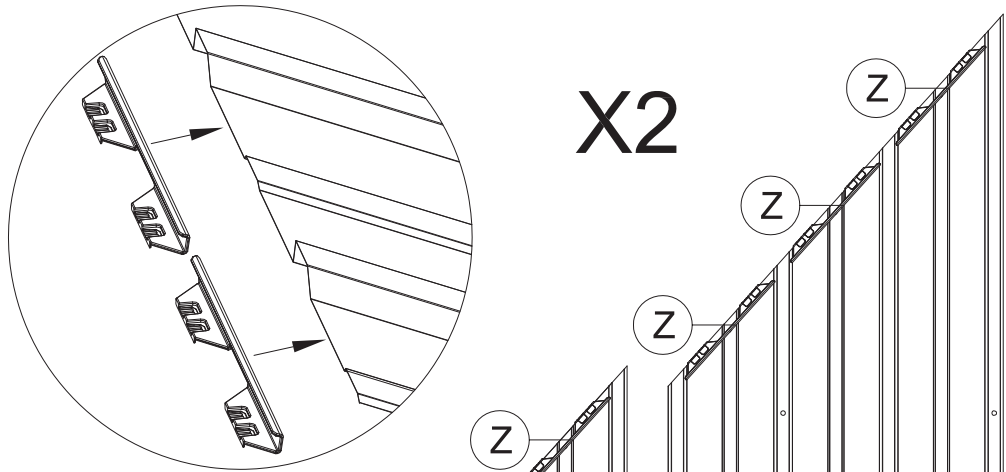


P6 2x

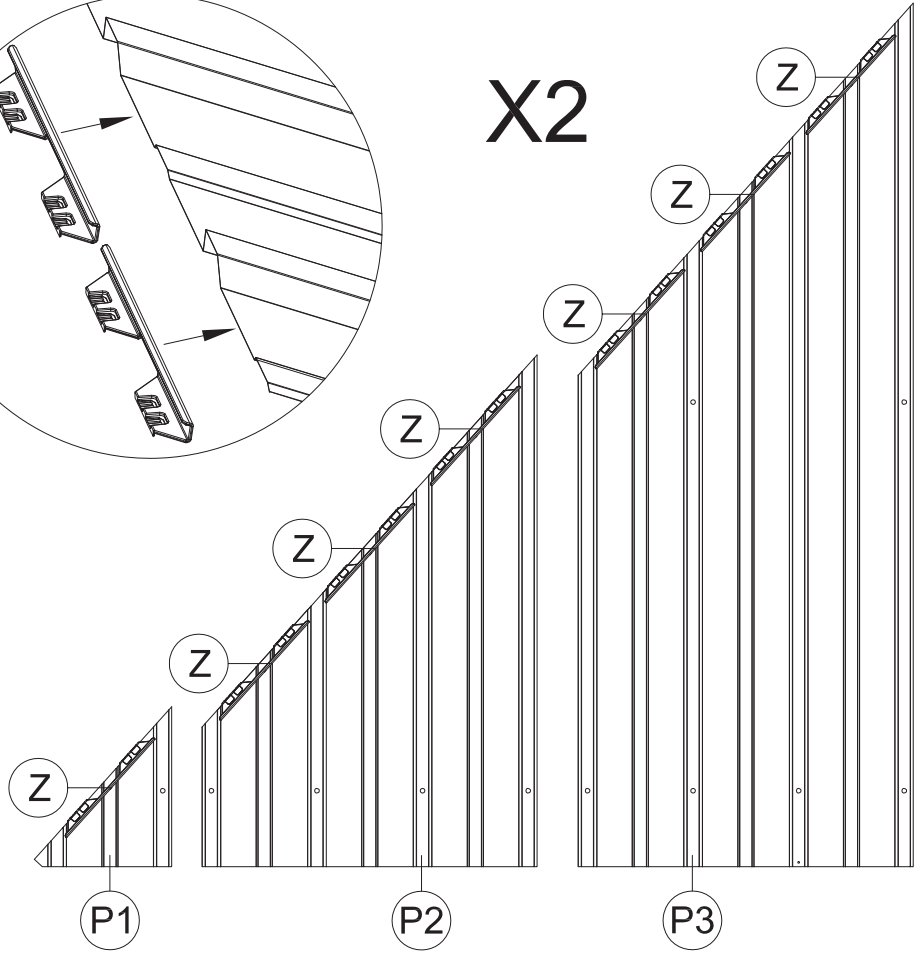


Z 14x

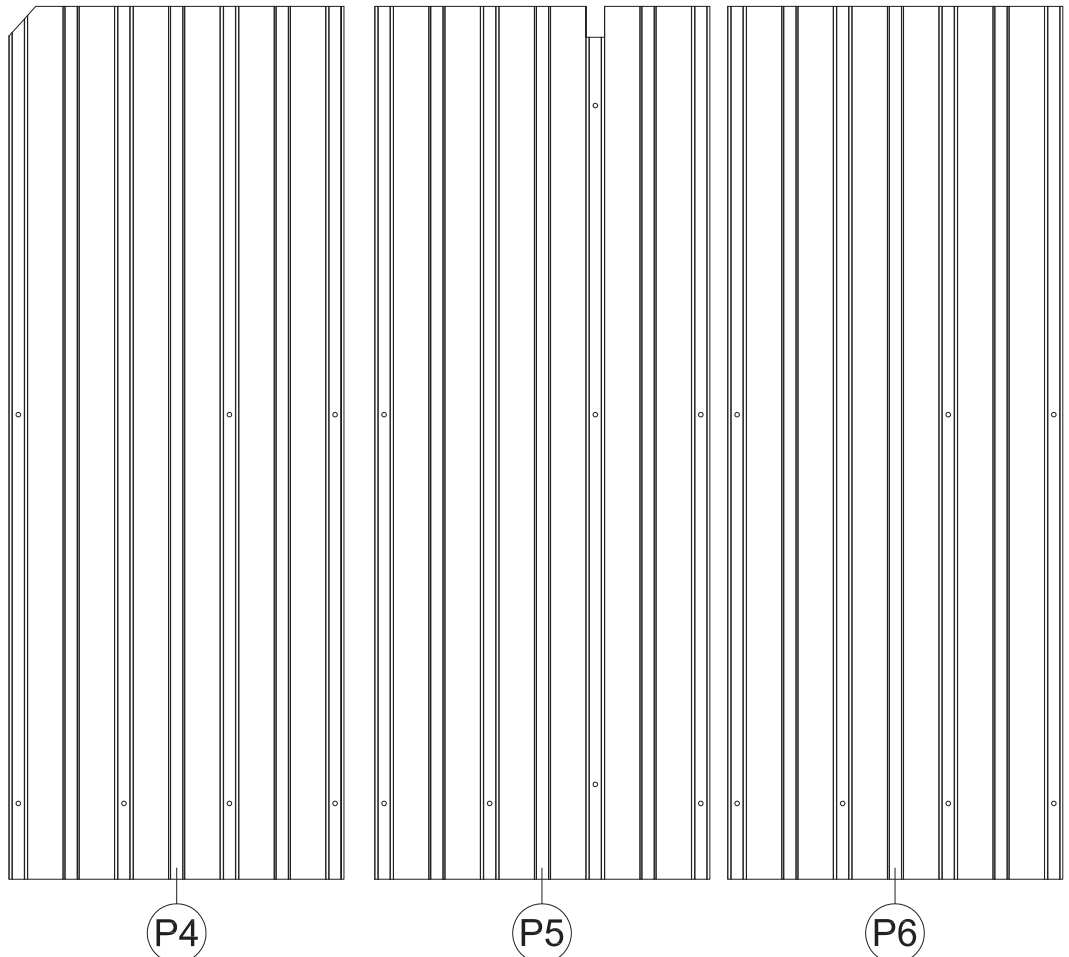
36



X2



X2

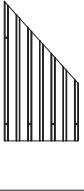


Cover Part #Z to Roof Panels

P7 2x



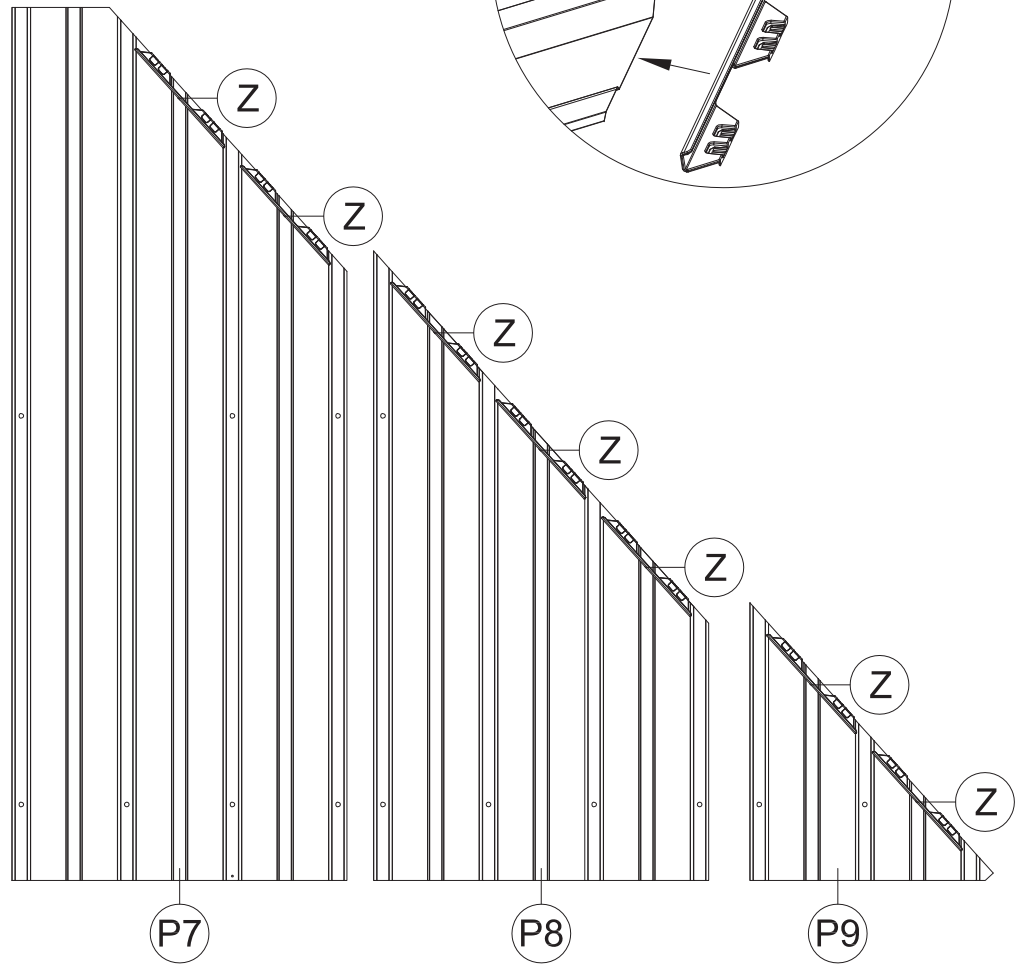
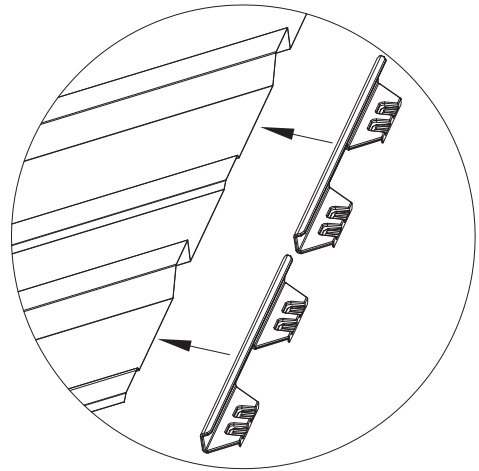
P8 2x



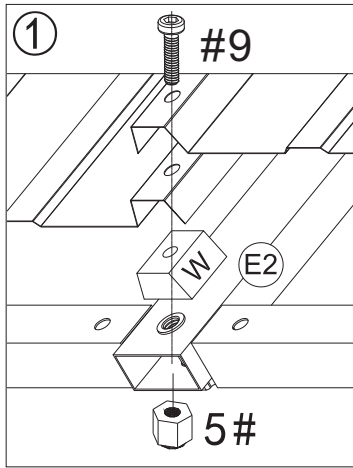
P9 2x



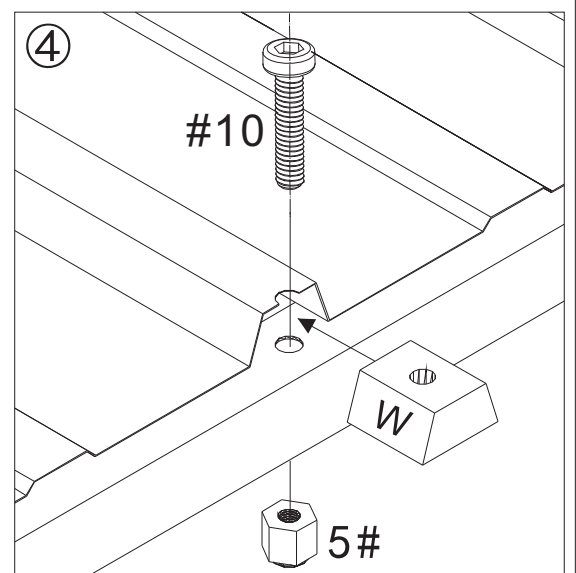
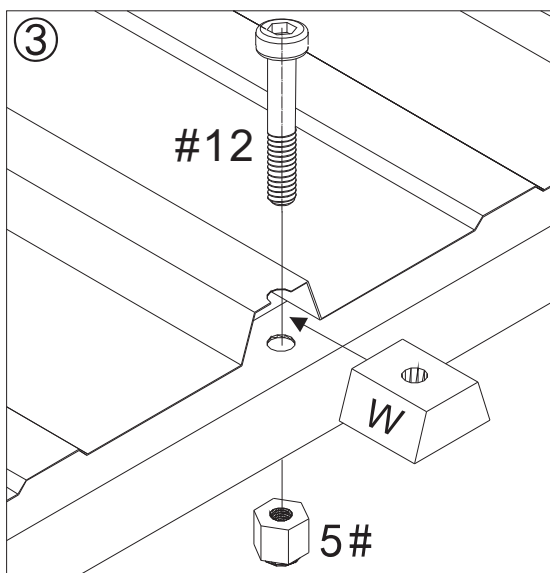
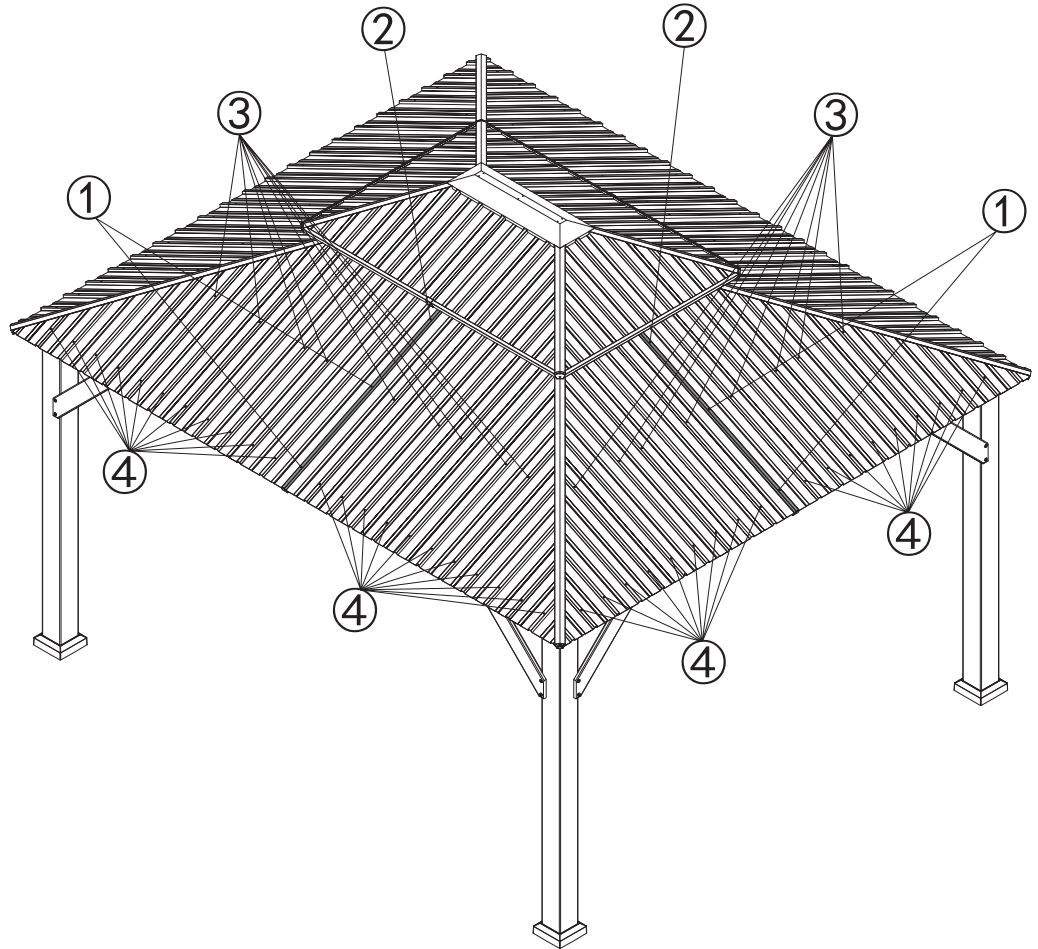
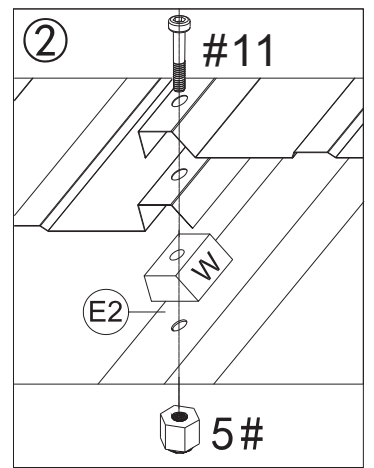
Z 14x

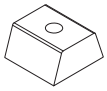


X2



▲ Part #W should be inserted between roof panels and solidifying bar or beams, then secure with bolts and nuts.





W 14x

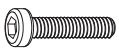


1 1x



M6

5 14x



M6x28

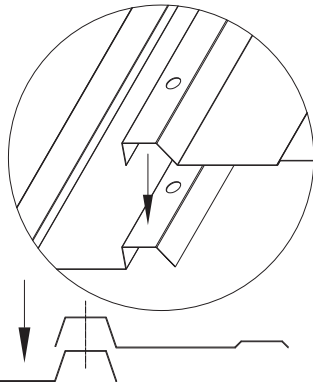
10 12x



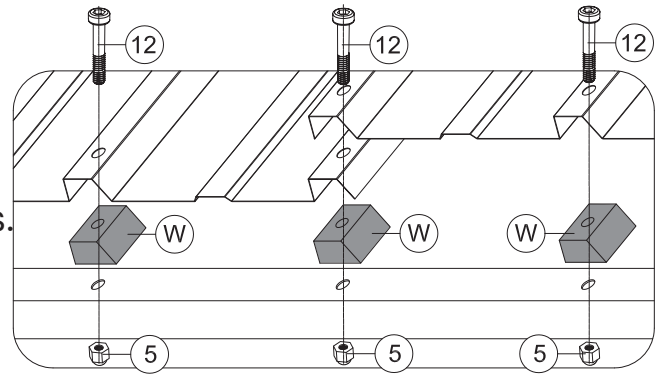
M6x50

12 2x

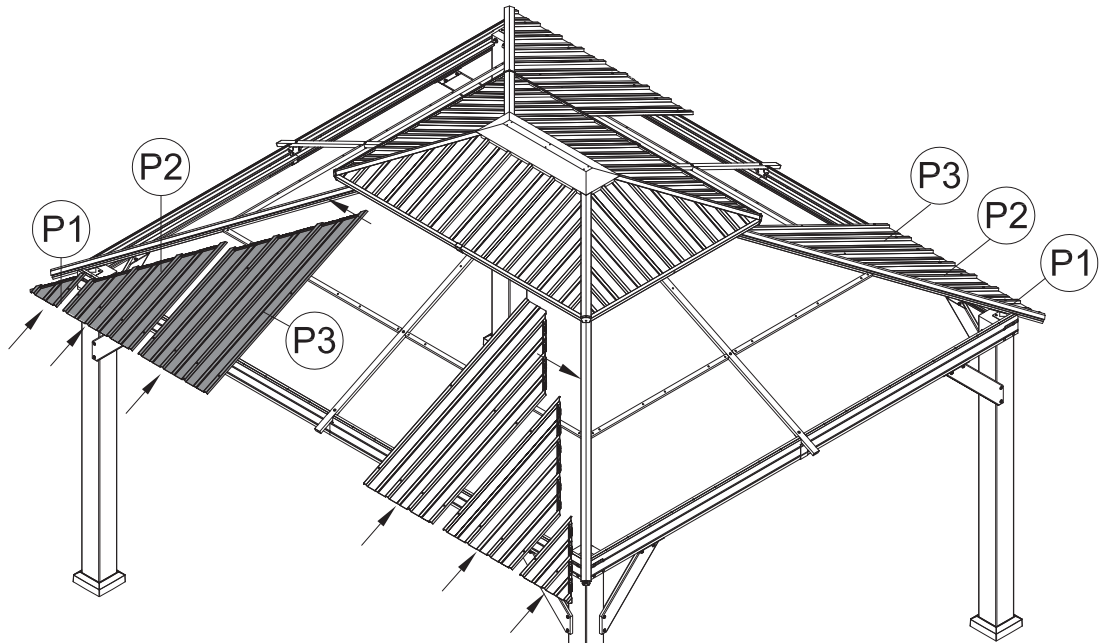
ATTENTION: The bigger roof panel need to cover the smaller one.



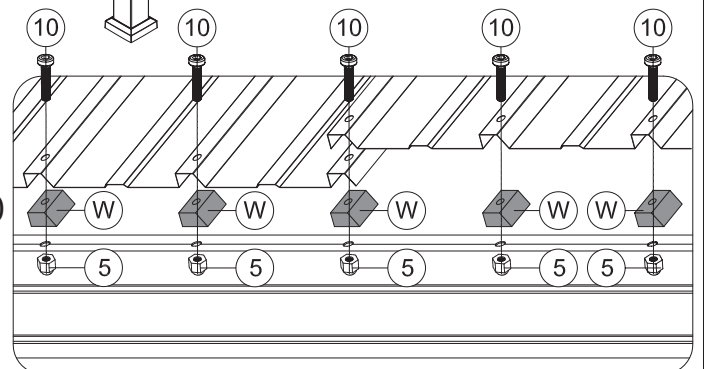
(1) Insert Part #P1,
Part #P2 and Part #P3 into the frame.



(3) Place 1 Part #W between
roof panels and solidifying bars.
Then secure with 1 Bolt #12
and 1 Nut #5.

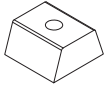


(2) Place 6 Part #W between
roof panels and beams.
Then secure with 6 Bolts #10
and 6 Nuts #5.

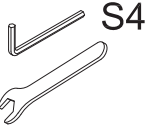


(4) Repeat the above procedures to assemble the opposite side.

ATTENTION: The bigger roof panel need to cover the smaller one.



W 18x

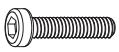


1 1x



M6

5 18x



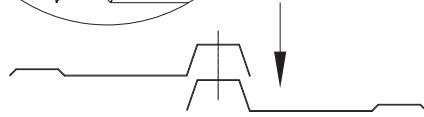
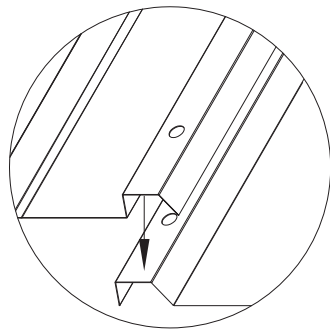
M6x28

10 14x



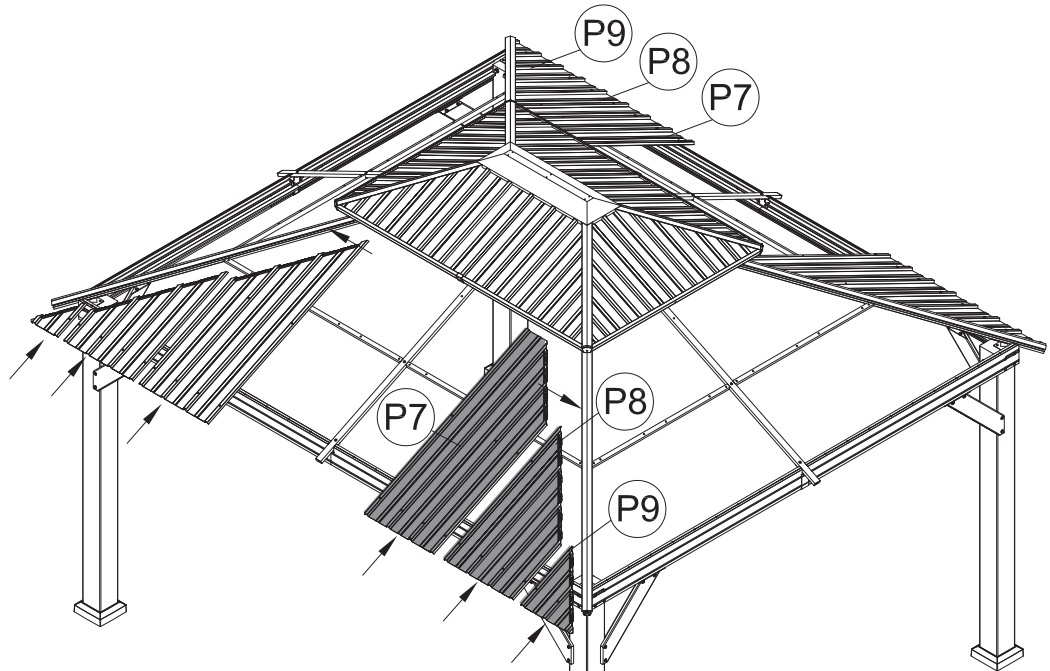
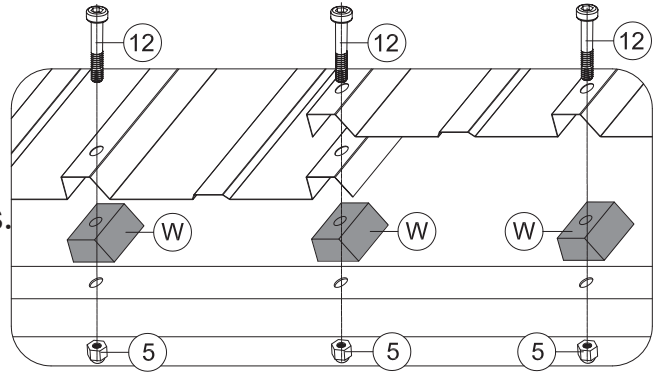
M6x50

12 4x

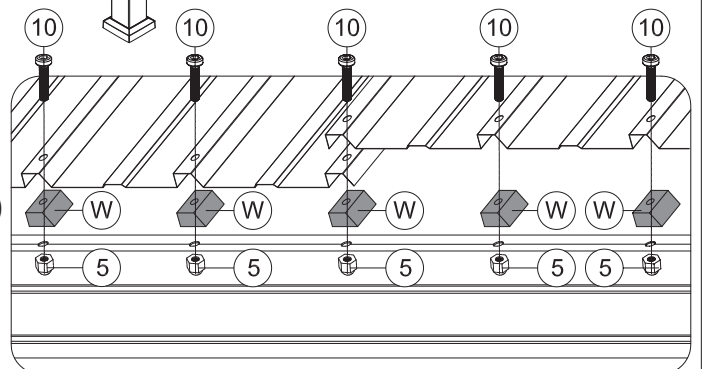


(1) Insert Part #P9,
Part #P8 and Part #P7 into the frame.

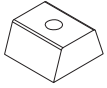
(3) Place 2 Part #W between
roof panels and solidifying bars.
Then secure with 2 Bolt #12
and 2 Nut #5.



(2) Place 7 Part #W between
roof panels and beams.
Then secure with 7 Bolts #10
and 7 Nuts #5.



(4) Repeat the above procedures to assemble the opposite side.



W 30x



1 1x



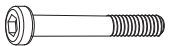
M6

5 30x



M6x28

10 18x



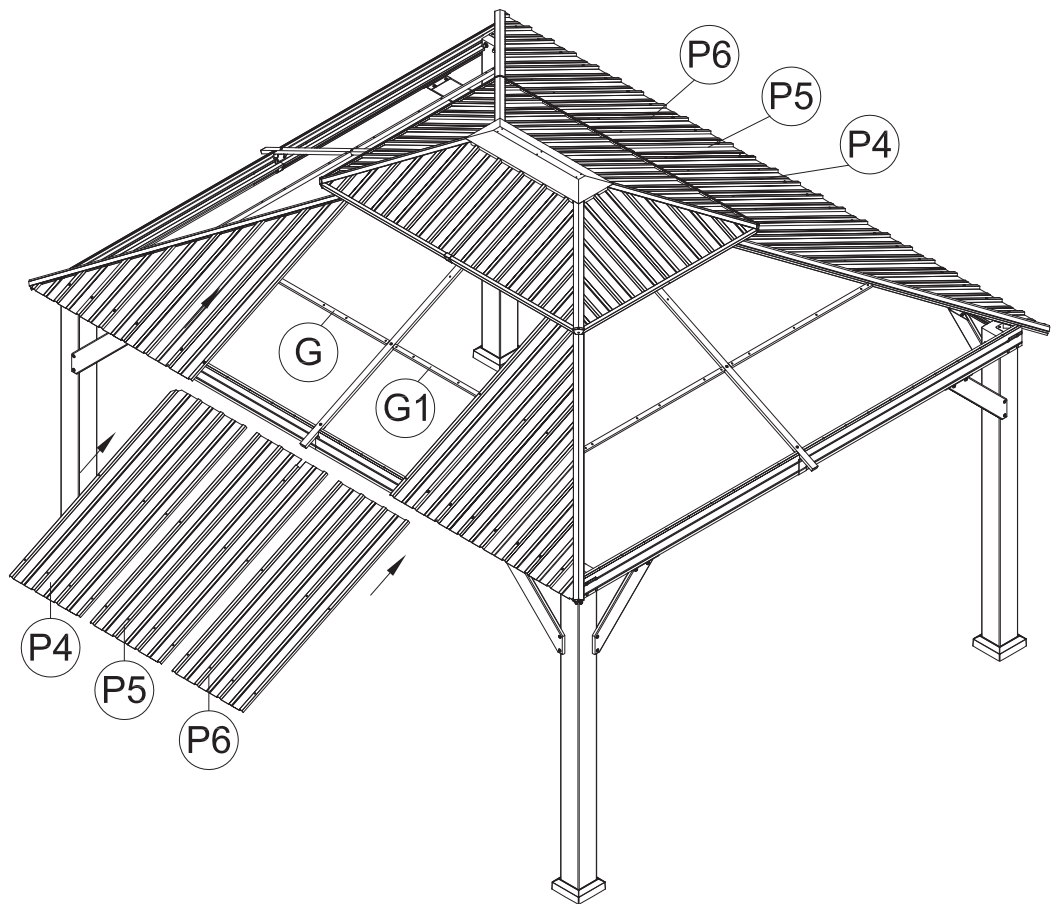
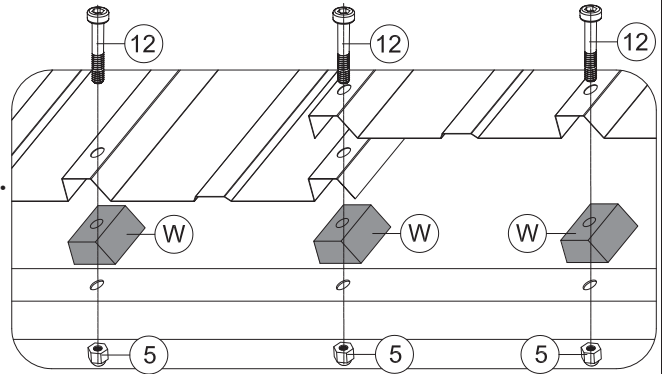
M6x50

12 12x

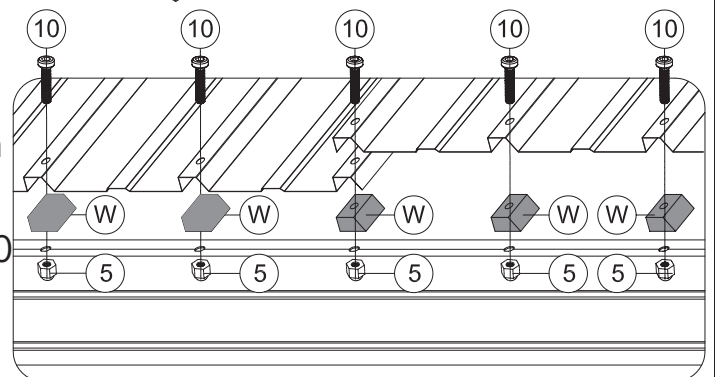
ATTENTION: The bigger roof panel need to cover the smaller one.

(1) Insert Part #P4, Part #P5 and Part #P6 into the frame.

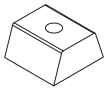
(3) Place 6 Part #W between roof panels and solidifying bars. Then secure with 6 Bolts #12 and 6 Nuts #5.



(2) Place 9 Part #W between roof panels and beams. Then secure with 9 Bolts #10 and 9 Nuts #5.



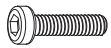
(4) Repeat the above procedures to assemble the opposite side.



W 4x

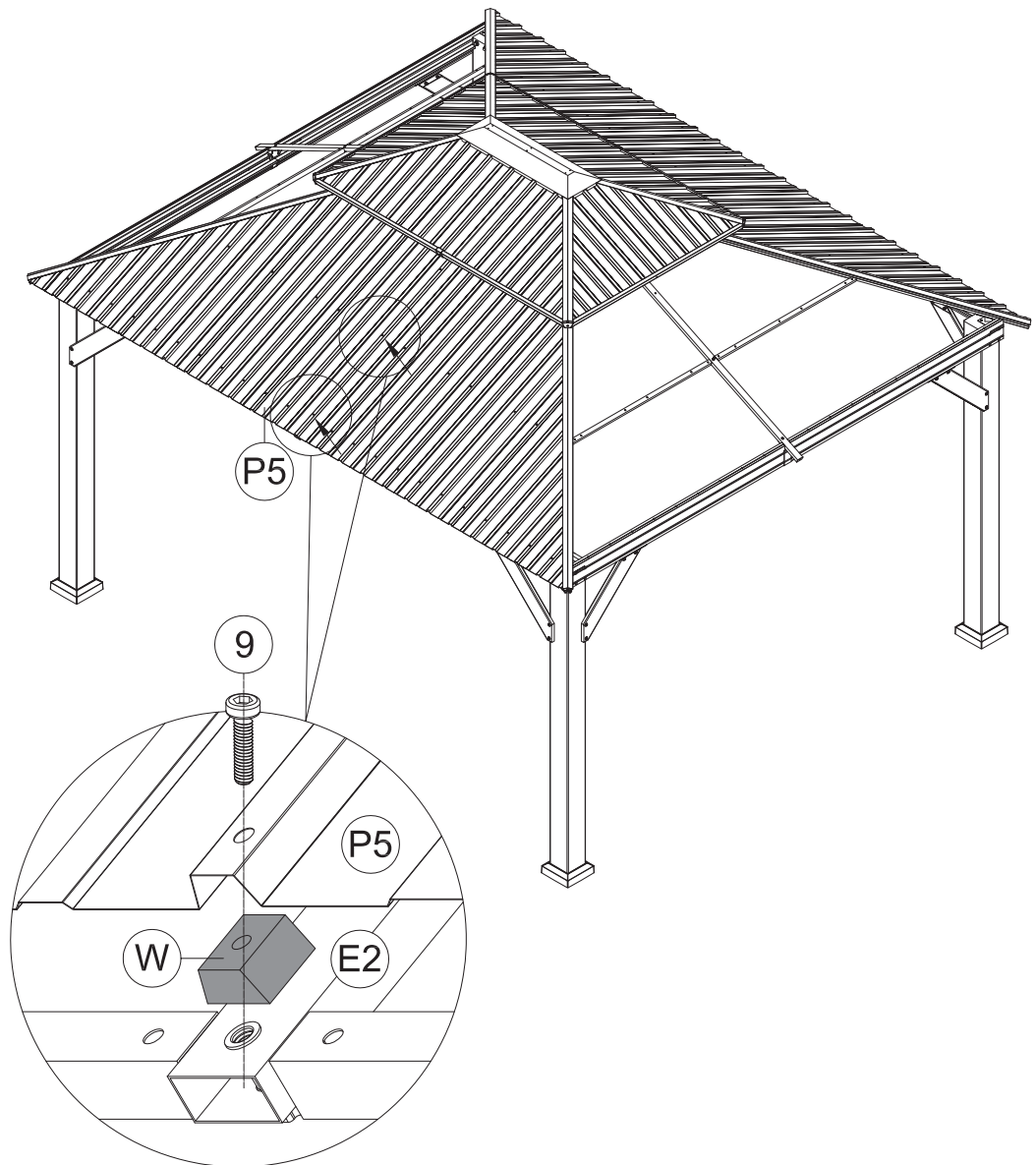


1 1x



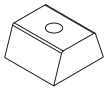
M6x25

9 4x

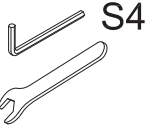


(1) Place 2 Part #W between Part #P5 and Part #E2. Then secure with 2 Bolts #9 and 2 Nuts #5.

(2) Repeat the above procedures to assemble the opposite side.



W 12x



1 1x



M6

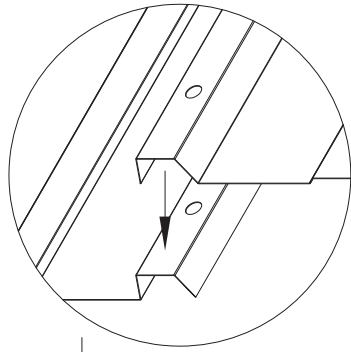
5 12x



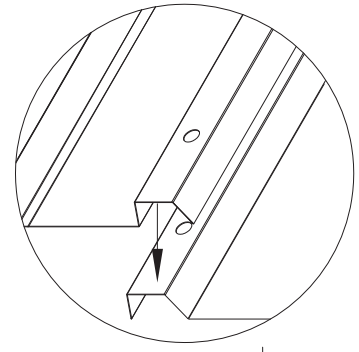
M6x28

10 12x

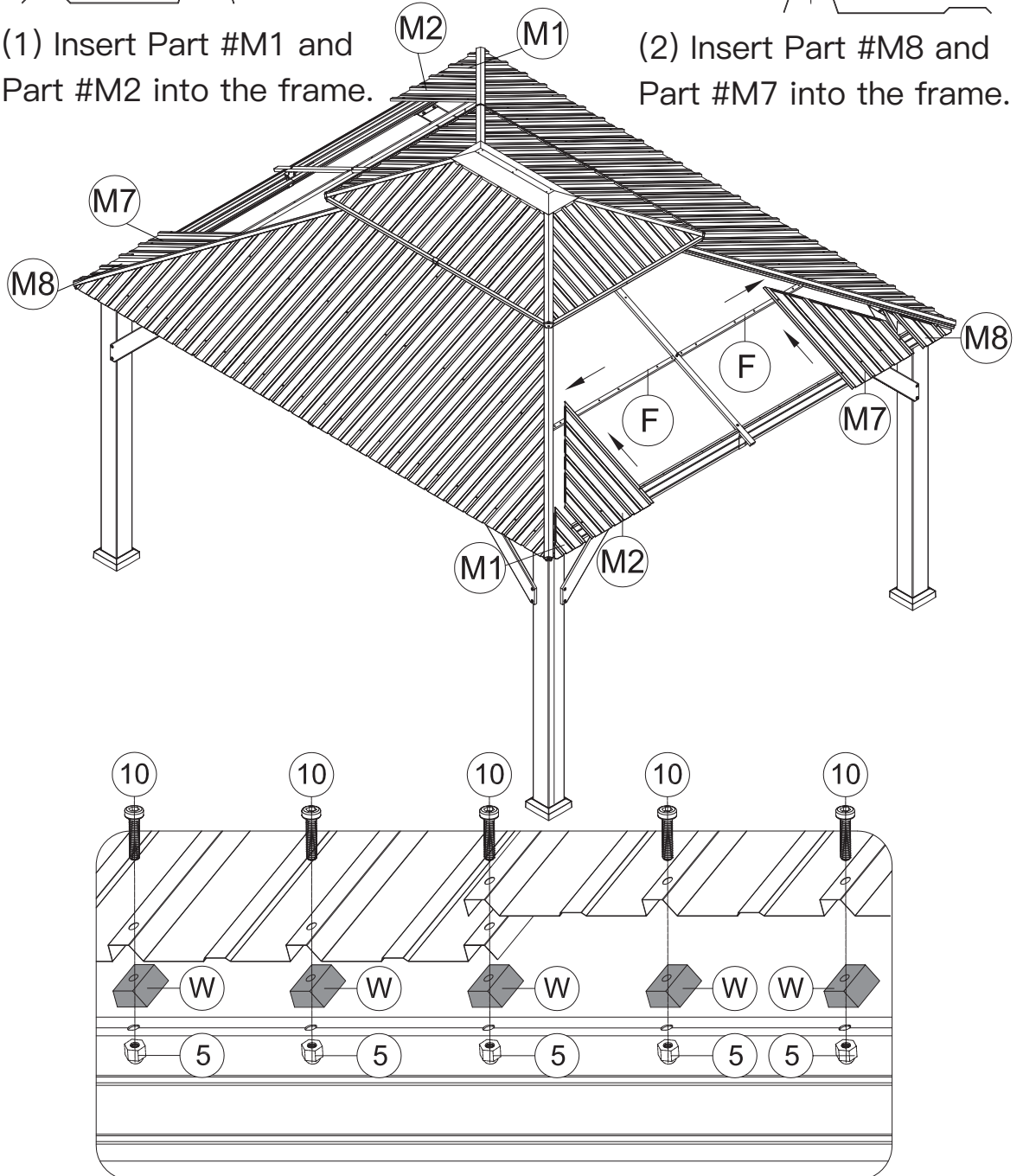
ATTENTION: The bigger roof panel need to cover the smaller one.



(1) Insert Part #M1 and Part #M2 into the frame.

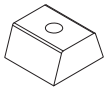


(2) Insert Part #M8 and Part #M7 into the frame.

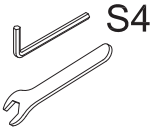


(3) Place 6 Part #W between roof panels and beams. Then secure with 6 Bolts #10 and 6 Nuts #5.

(4) Repeat the above procedures to assemble the opposite side.



(W) 20x



(1) 1x



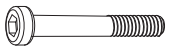
M6

(5) 20x



M6x28

(10) 12x

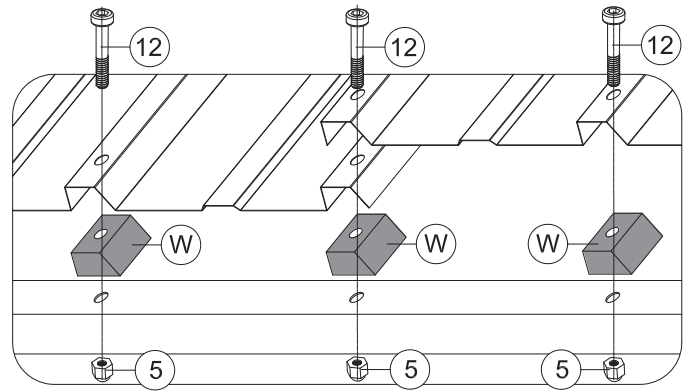
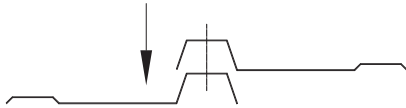


M6x50

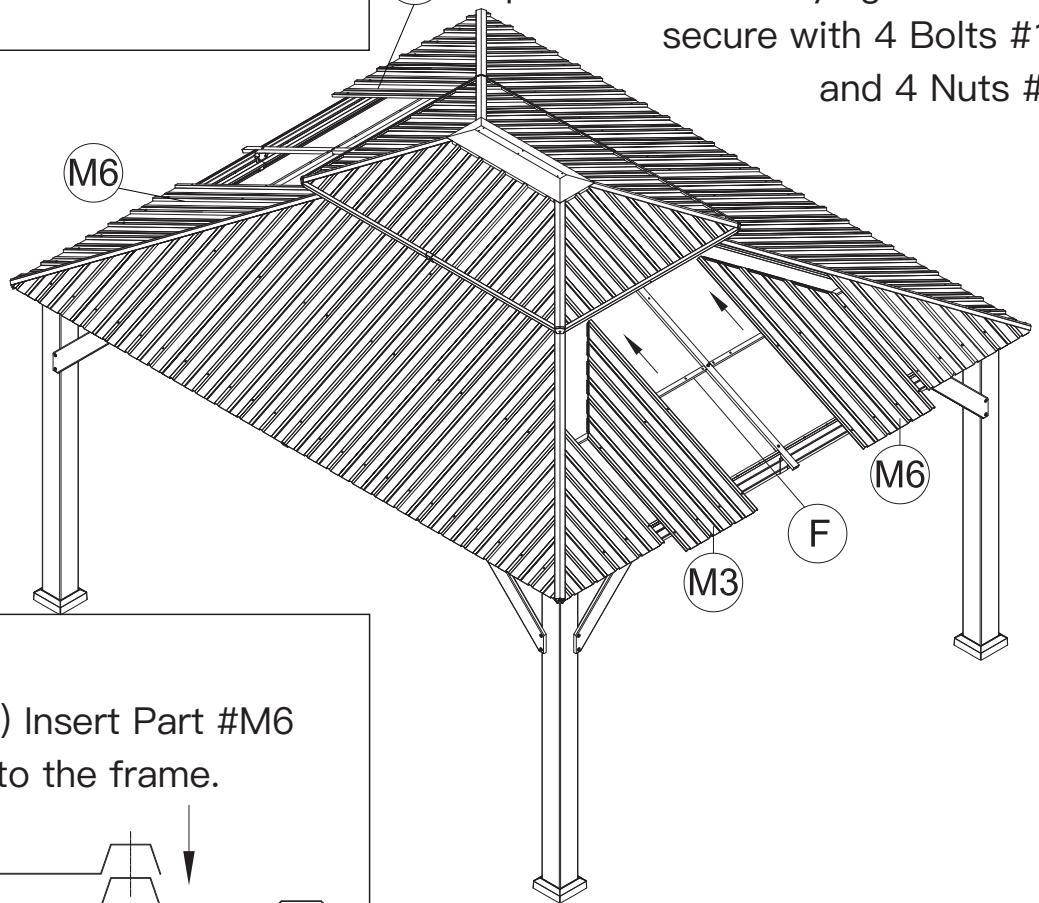
(12) 8x

ATTENTION: The bigger roof panel need to cover the smaller one.

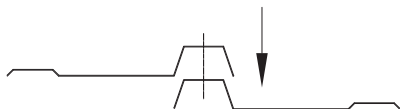
(1) Insert Part #M3 into the frame.



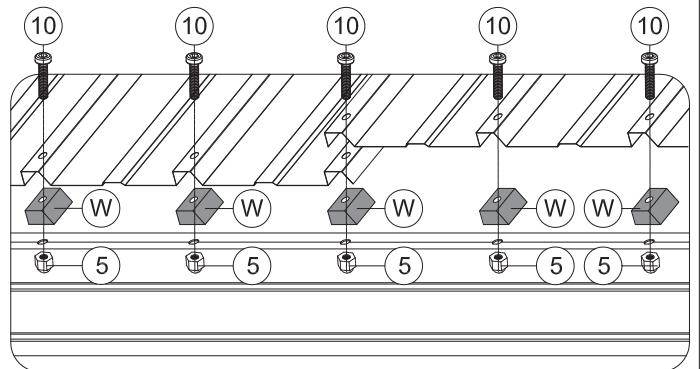
(3) Place 4 Part #W between roof panels and solidifying bars. Then secure with 4 Bolts #12 and 4 Nuts #5.



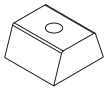
(2) Insert Part #M6 into the frame.



(4) Place 6 Part #W between roof panels and beams. Then secure with 6 Bolts #10 and 6 Nuts #5.



(5) Repeat the above procedures to assemble the opposite side.



W 24x



1 1x



M6

5 20x



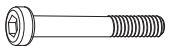
M6x25

9 4x



M6x28

10 12x

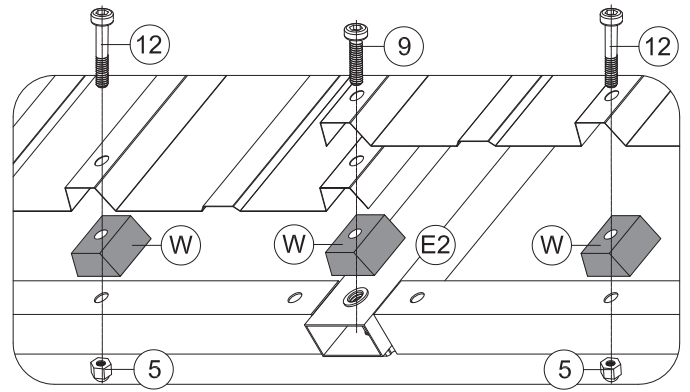


M6x50

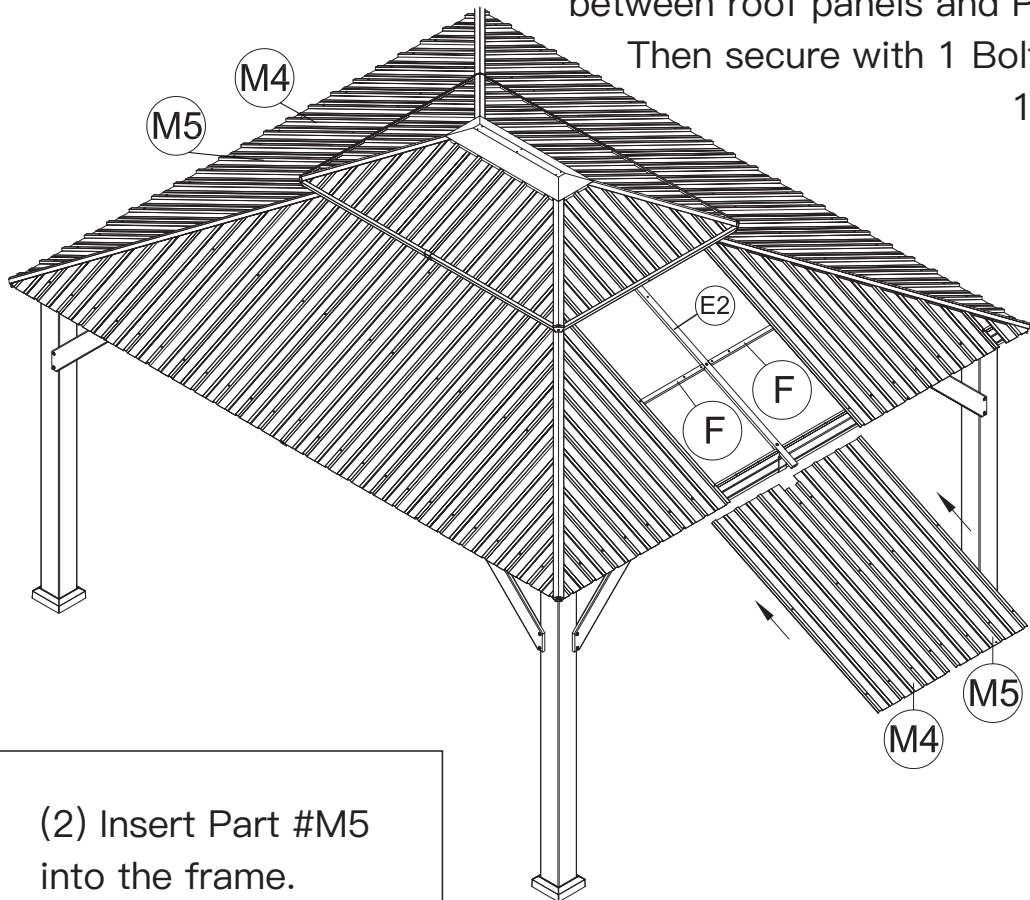
12 8x

ATTENTION: The bigger roof panel need to cover the smaller one.

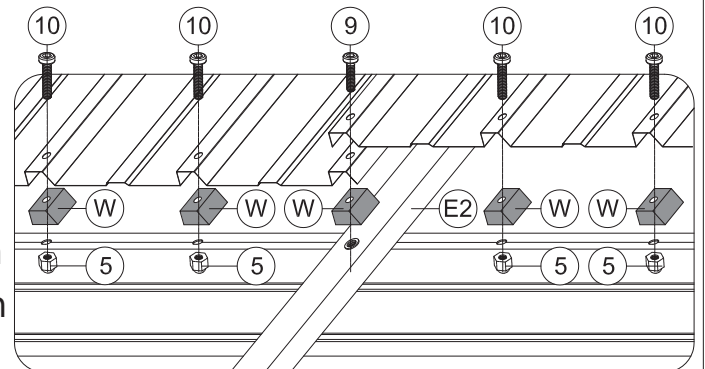
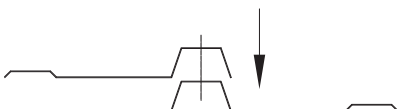
(1) Insert Part #M4 into the frame.



(3) Place 4 Part #W between roof panels and solidifying bars. Then secure with 4 Bolts #12 and 4 Nuts #5; Place 1 Part #W between roof panels and Part #E2. Then secure with 1 Bolt #9 and 1 Nut #5.

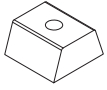


(2) Insert Part #M5 into the frame.

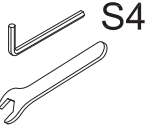


(4) Place 6 Part #W between roof panels and beams. Then secure with 6 Bolts #10 and 6 Nuts #5; Place 1 Part #W between roof panels and Part #E2. Then secure with 1 Bolt #9 and 1 Nut #5.

(5) Repeat the above procedures to assemble the opposite side.



W 4x

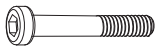


1 1x



M6

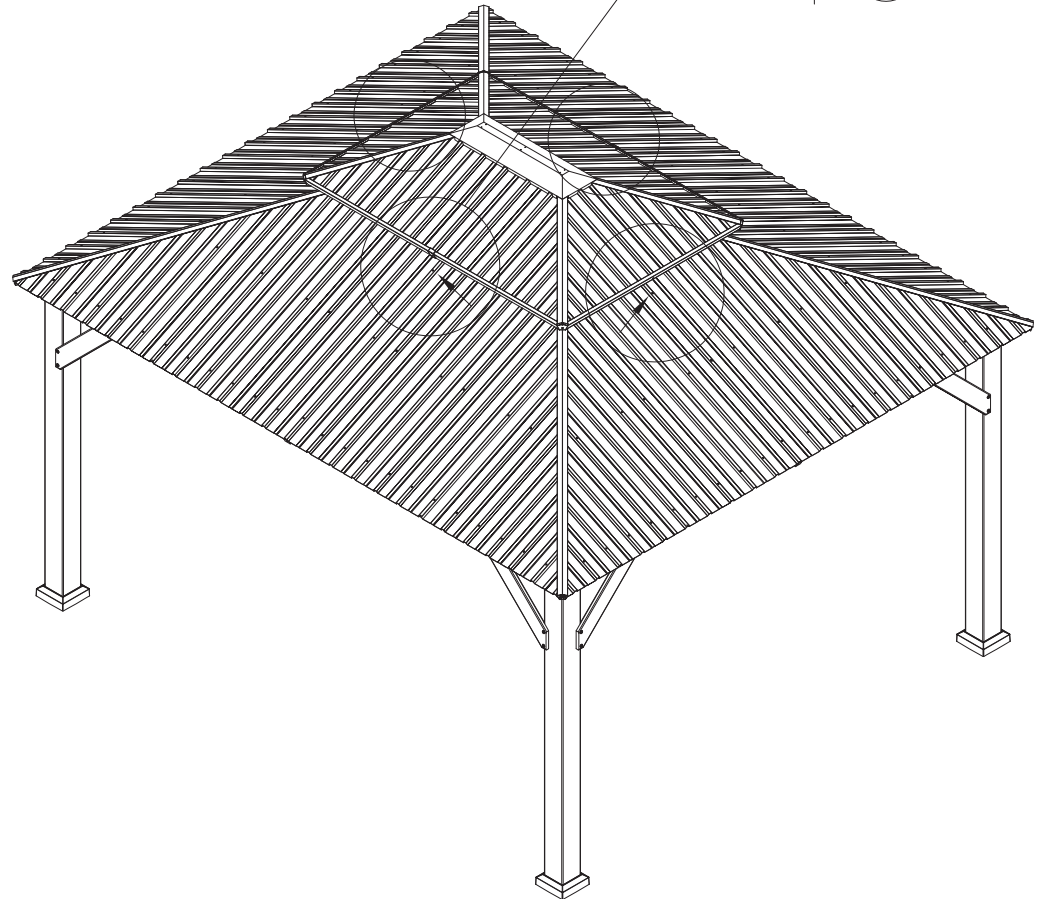
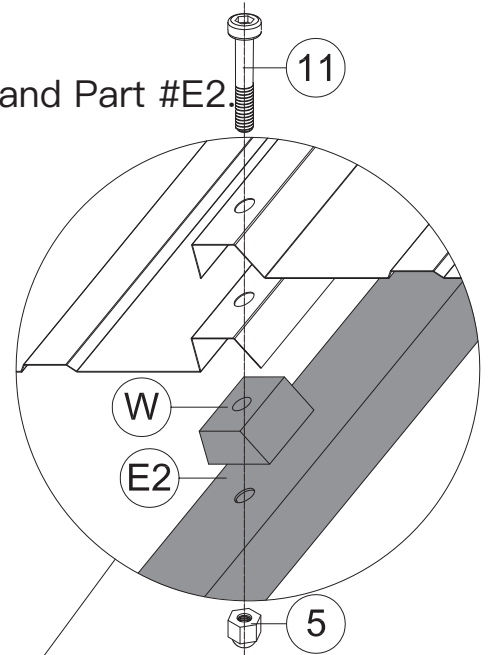
5 4x



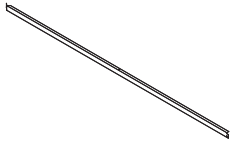
M6x45

11 4x

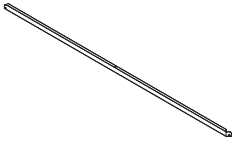
(1) Place Part #W between roof panels and Part #E2. Then secure with Bolt #11 and Nut #5.



(2) Repeat the above procedures to assemble the other 3 sides.



K2 2x



K3 2x



X2 2x

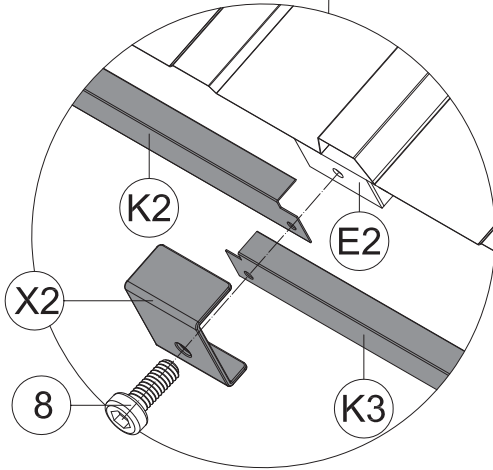
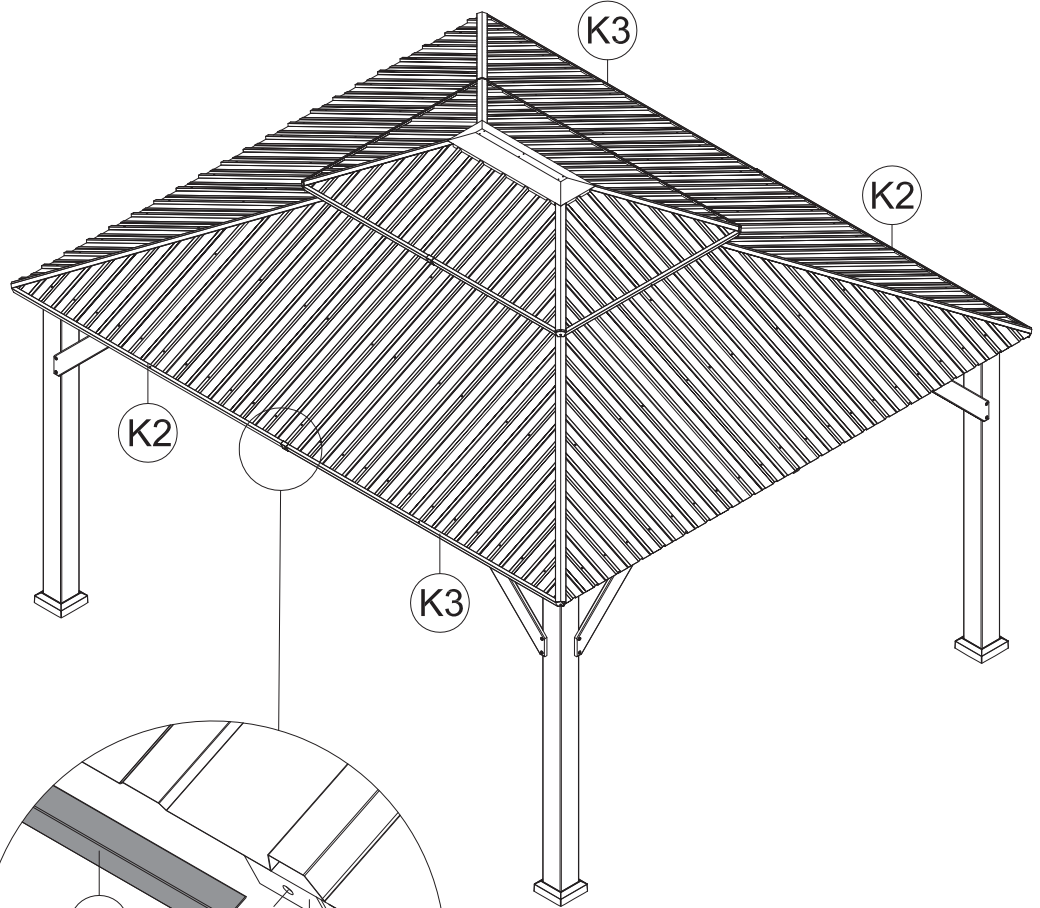


1 1x



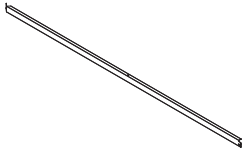
M6x16

8 2x

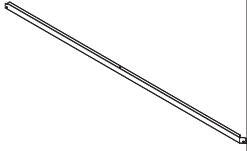


(1) Place Part #K2 and Part #K3 on Part #E2;
Put on Part #X2 and secure with Bolt #8.

(2) Repeat the above procedures to assemble the opposite side.



(K) 2x



(K1) 2x



(X2) 2x



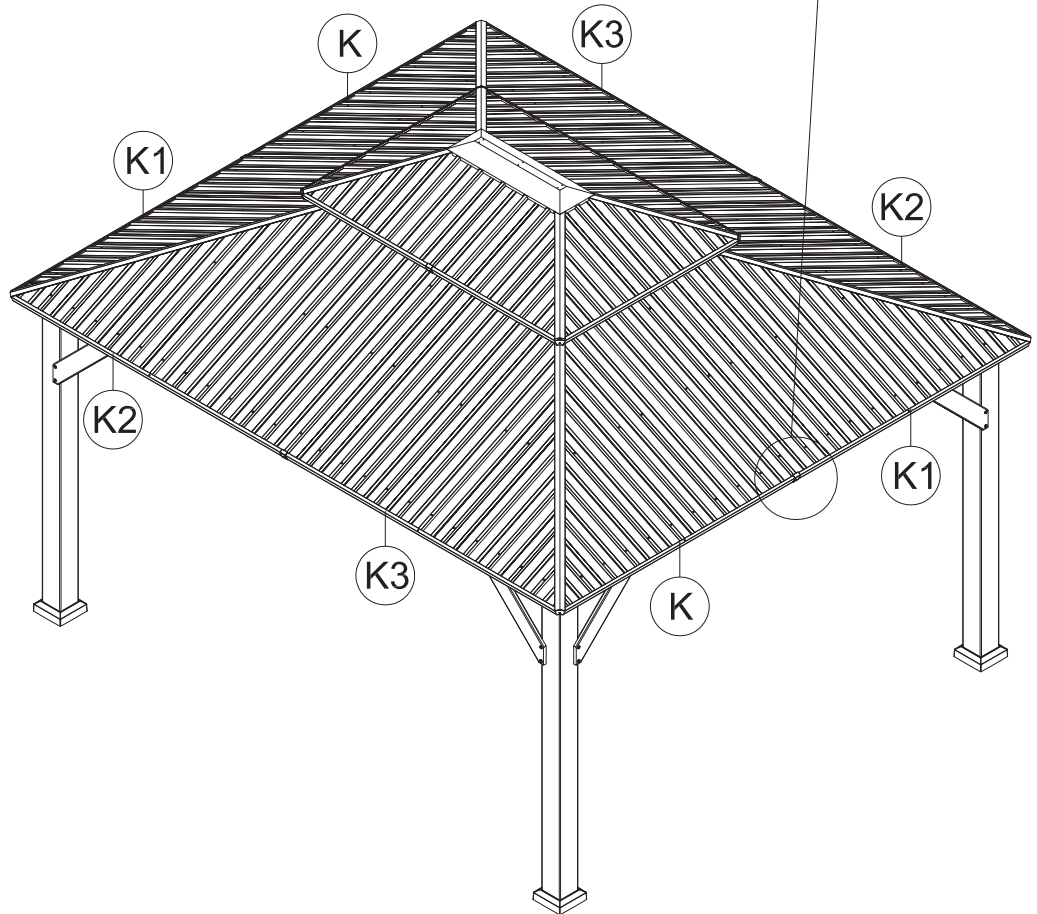
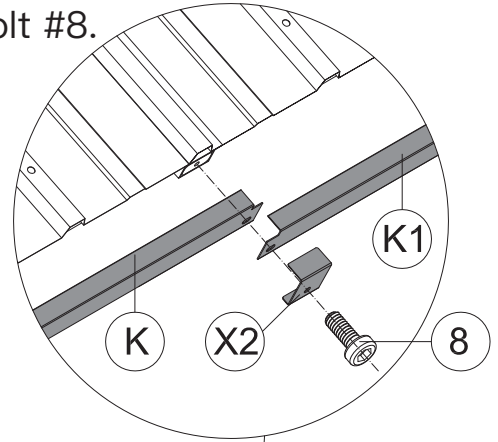
(1) 1x



M6x16

(8) 2x

(1) Place Part #K and Part #K1 on Part #E2;
Put on Part #X2 and secure with Bolt #8.



(2) Repeat the above procedures to assemble the opposite side.

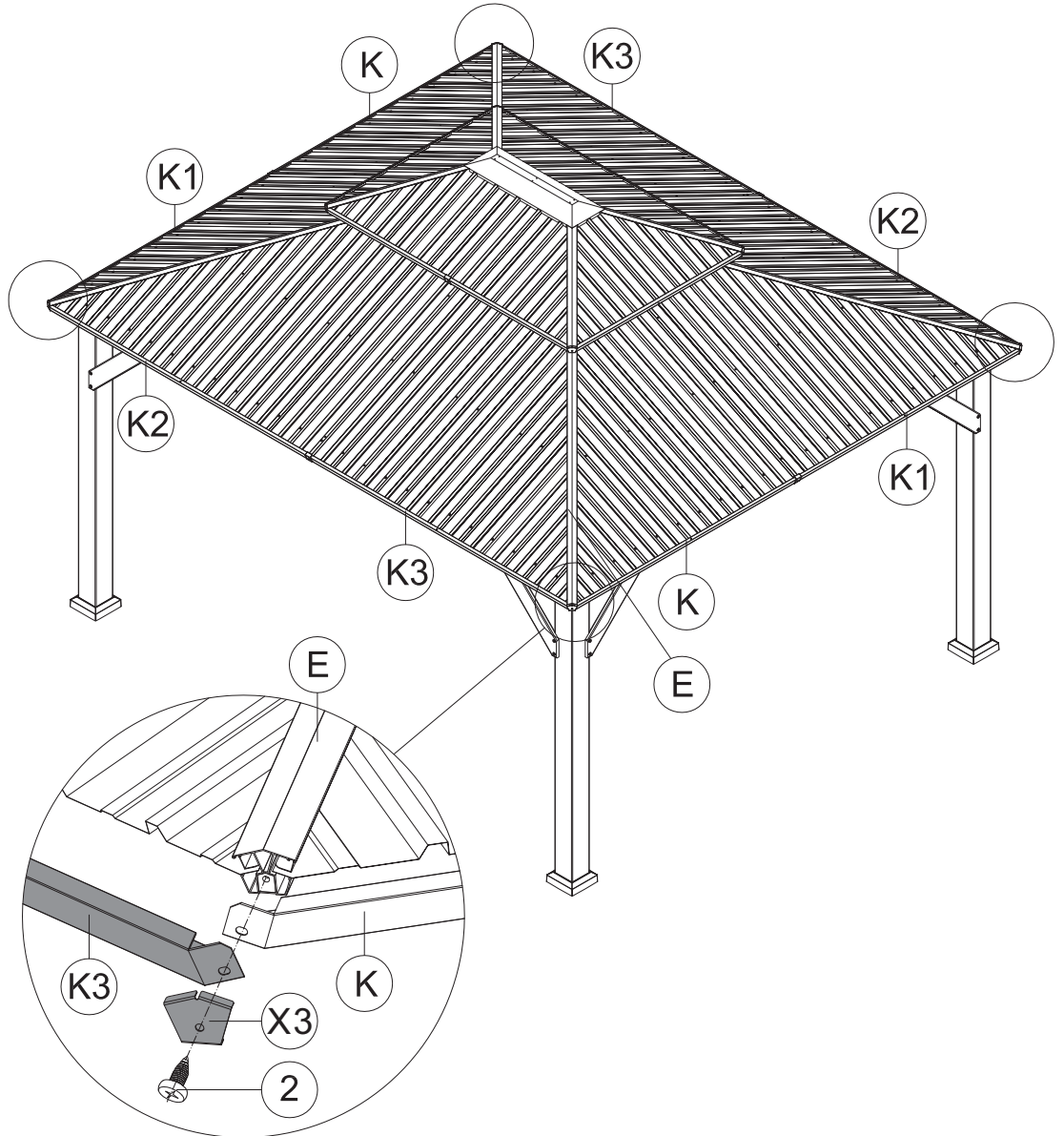


X3 4x



ST6.3x15

2 4x



(1) Place Part #K3 and Part #K on Part #E;
Put on Part #X3 and secure with Self-tapping Screw #2.

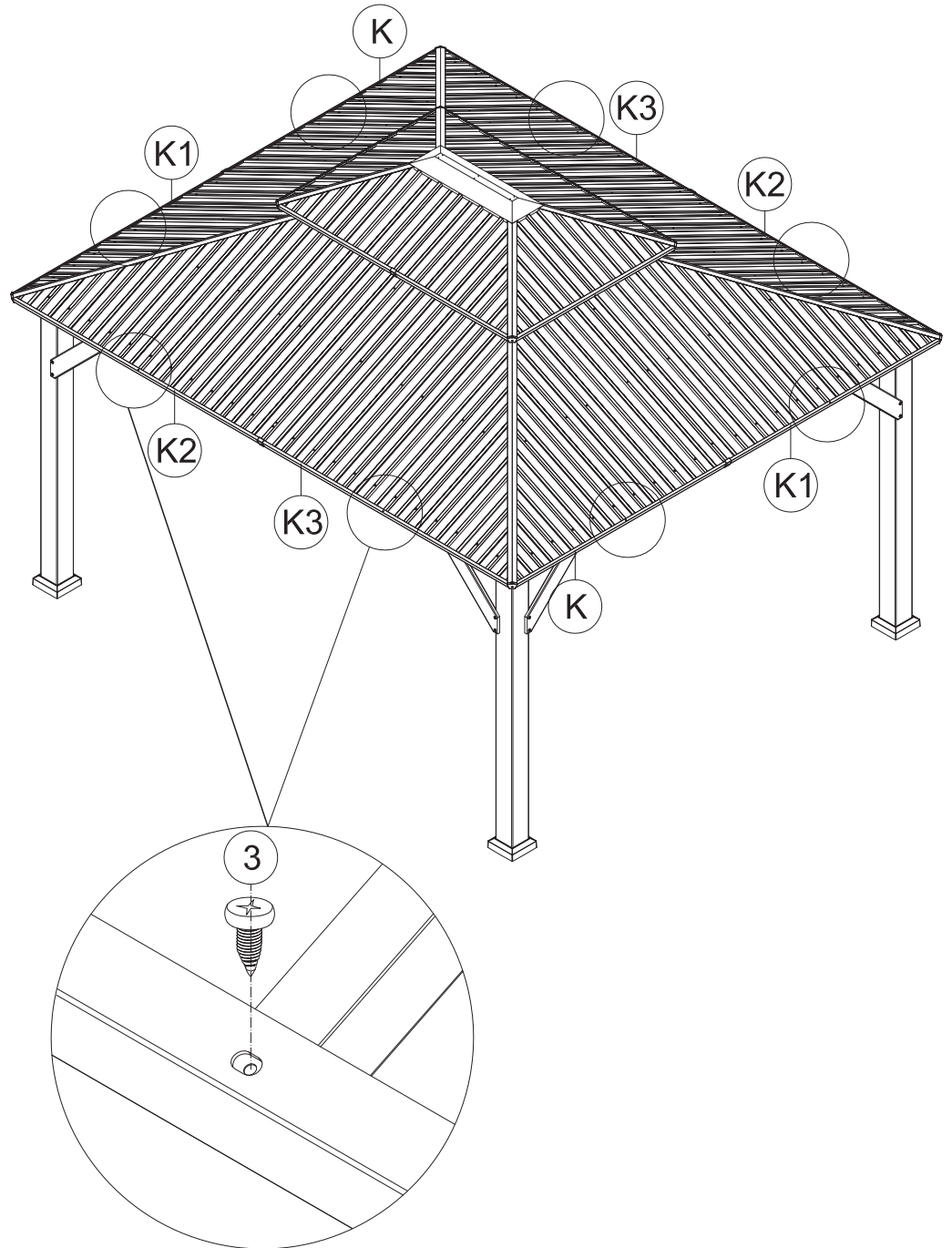
(2) Repeat the above procedures to assemble the other 3 corners.



ST5x16

3

8x

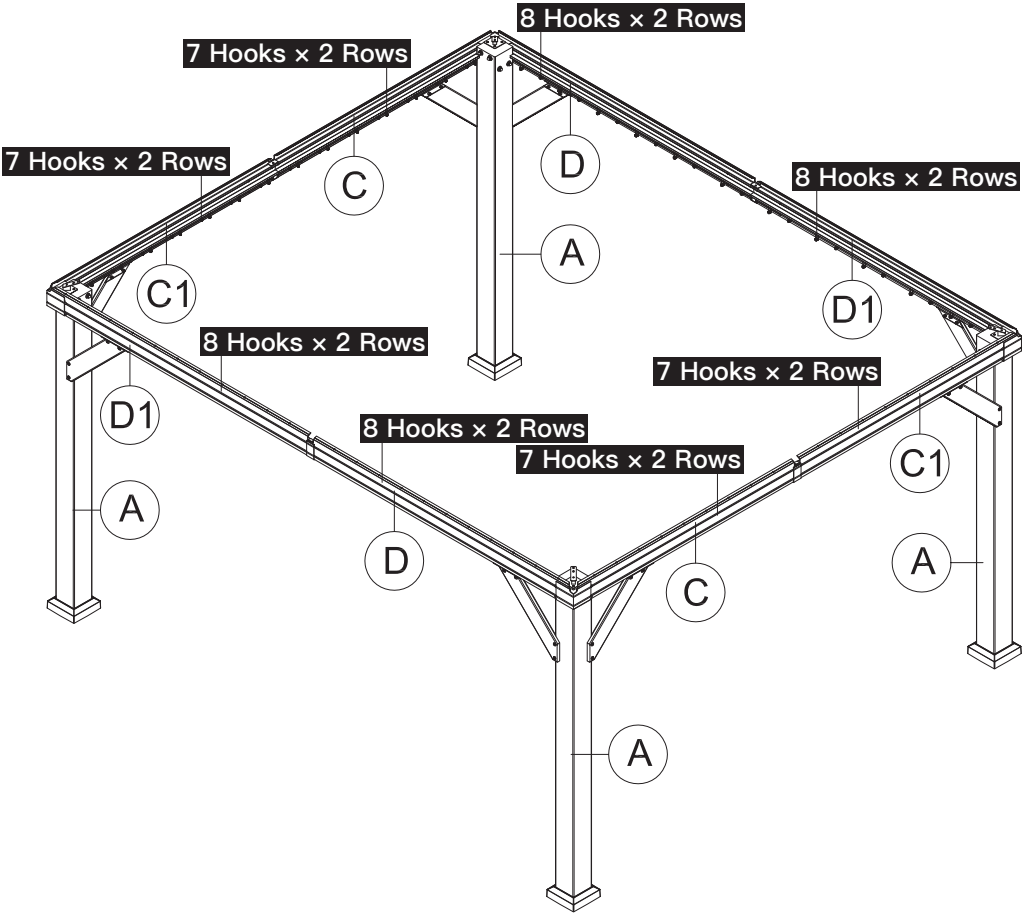
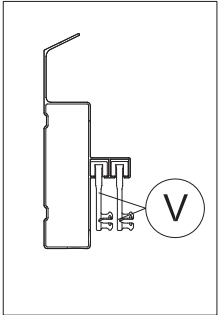


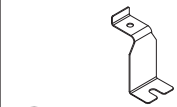
(1) Attach roof panels to finishing bars with 2 Self-tapping Screws #3.

(2) Repeat the above procedures to assemble the other 3 sides.

How to Put the 120 Hooks into the **Double-track**

Double-track





T1 2x



V 56x



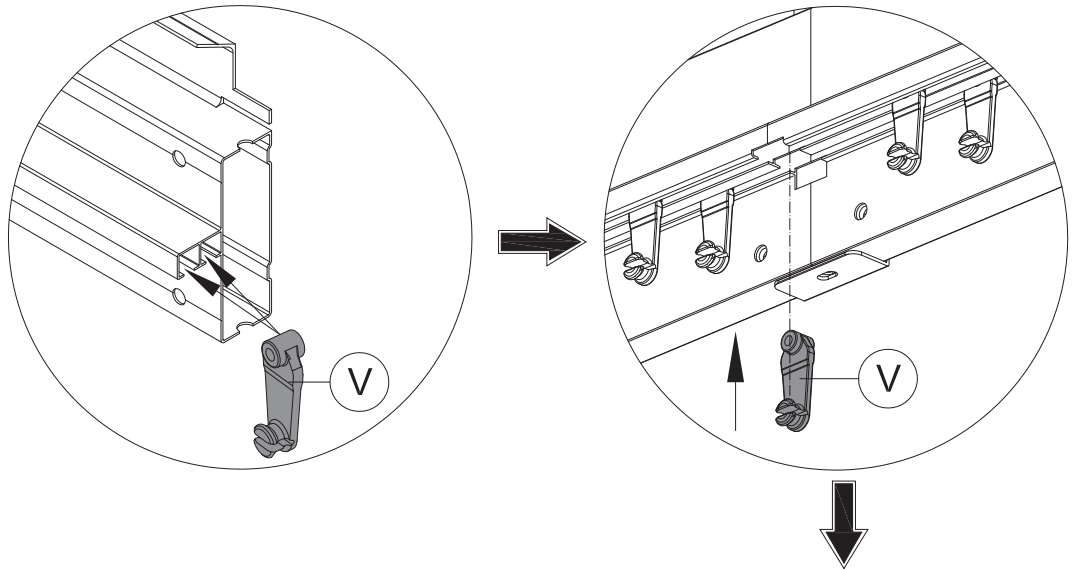
1 1x



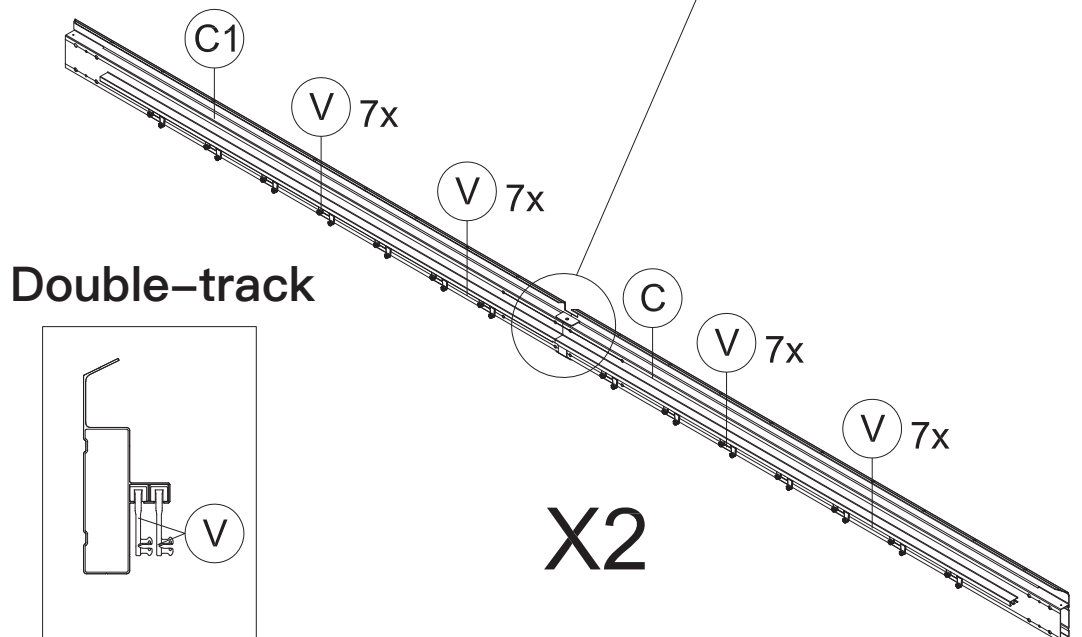
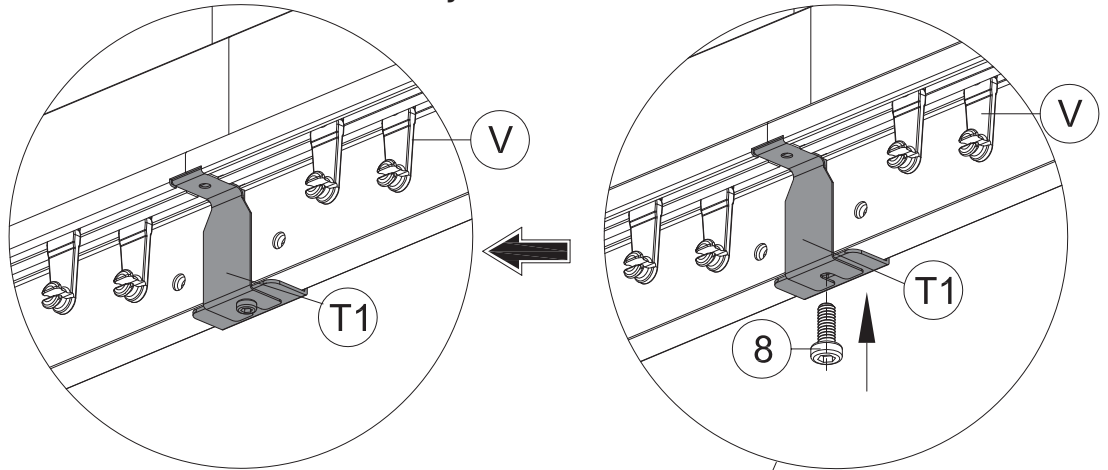
M6x16

8 4x

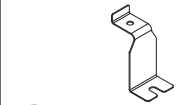
(1) Place 7 hooks on each slot of the Sidewall Track(C1&C).



(2) Install Part #T1 at the joint of Part C&C1 with Bolt #8.



(3) Repeat the above procedures to assemble the opposite side.



T1 2x



V 64x



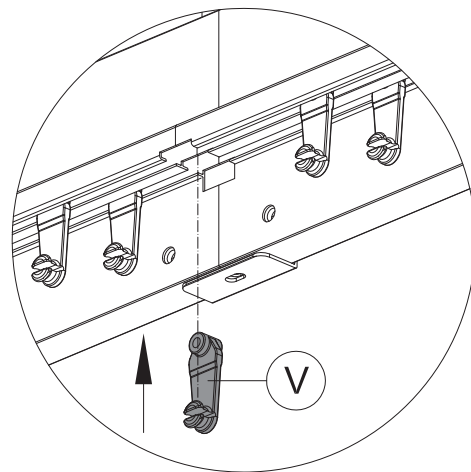
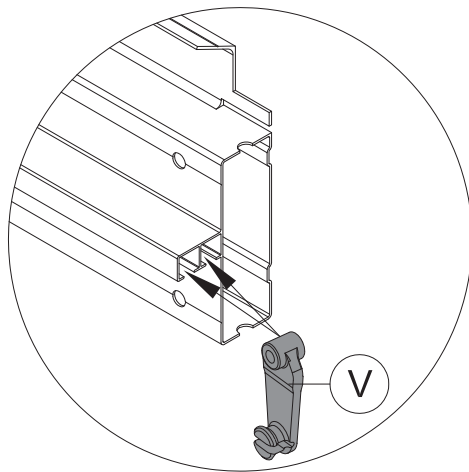
1 1x



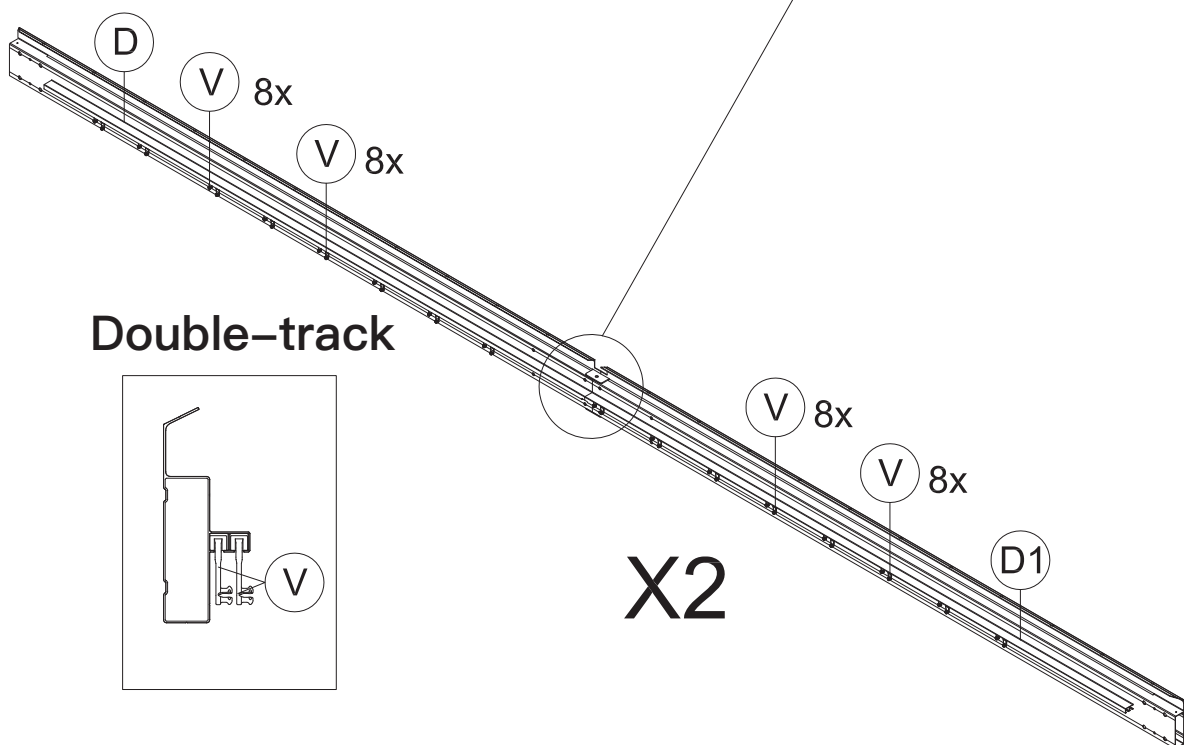
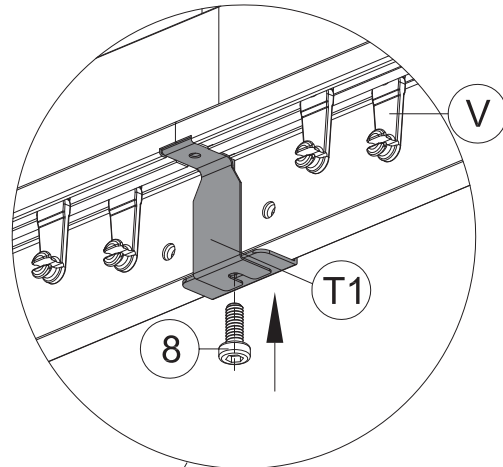
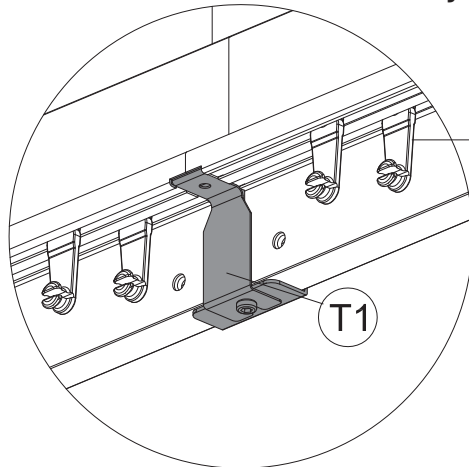
M6x16

8 4x

(1) Place 8 hooks on each slot of the Sidewall Track(D&D1).



(2) Install Part #T1 at the joint of Part D&D1 with Bolt #8.

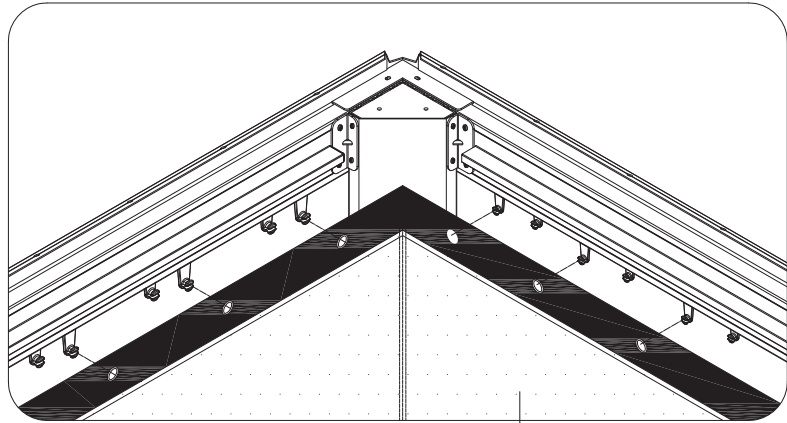


(3) Repeat the above procedures to assemble the opposite side.



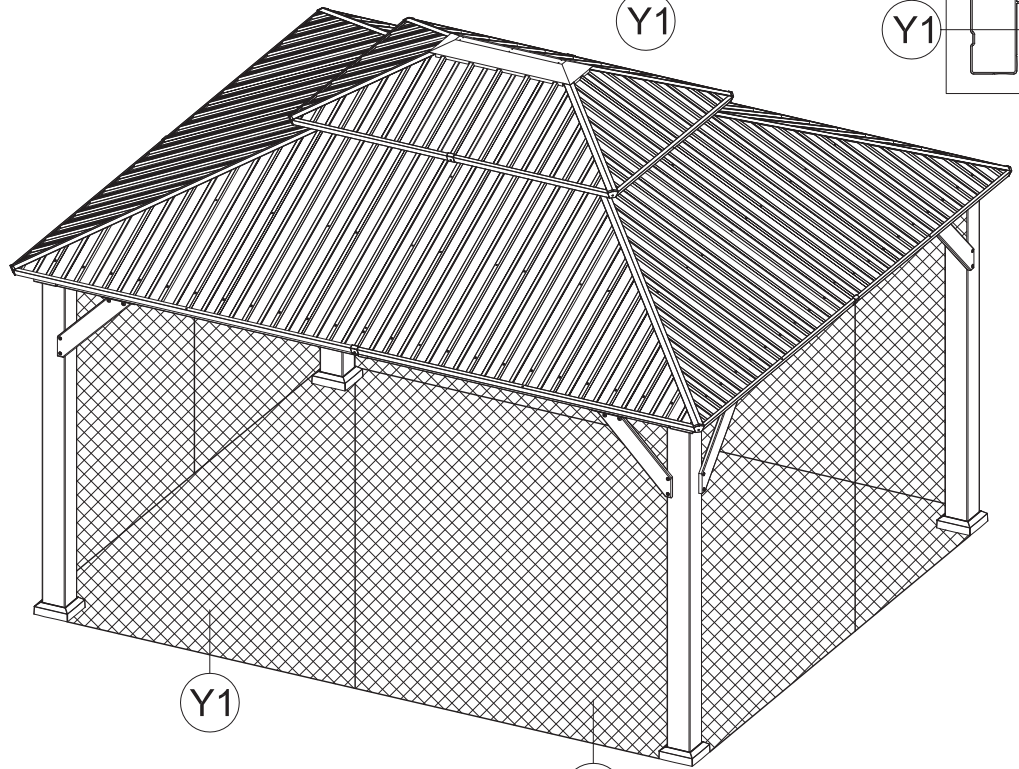
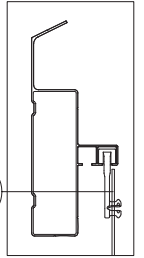
Y1 4x

Hang up Mosquito Sidewalls to **Inside Track**



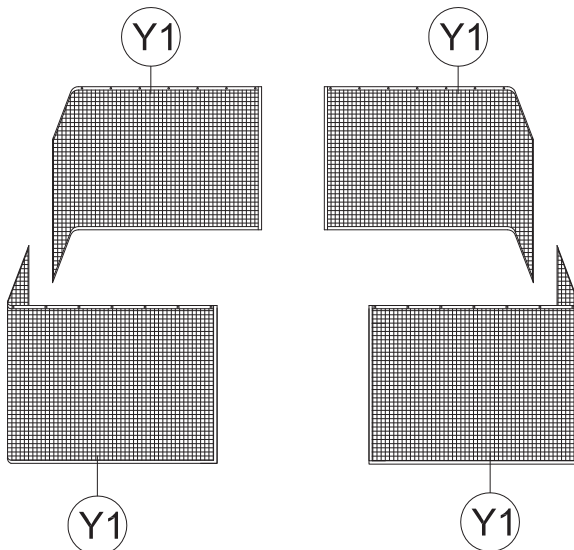
Y1

Y1



Y1

Y1

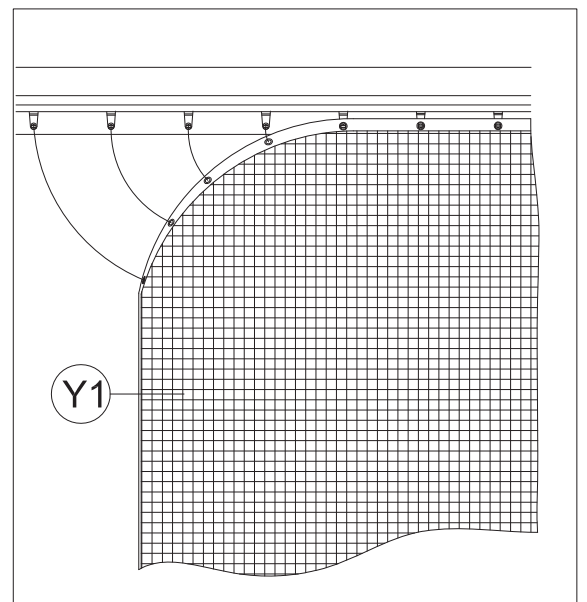


Y1

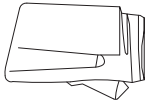
Y1

Y1

Y1

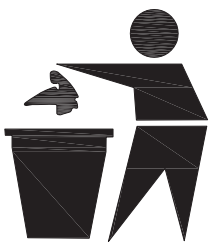
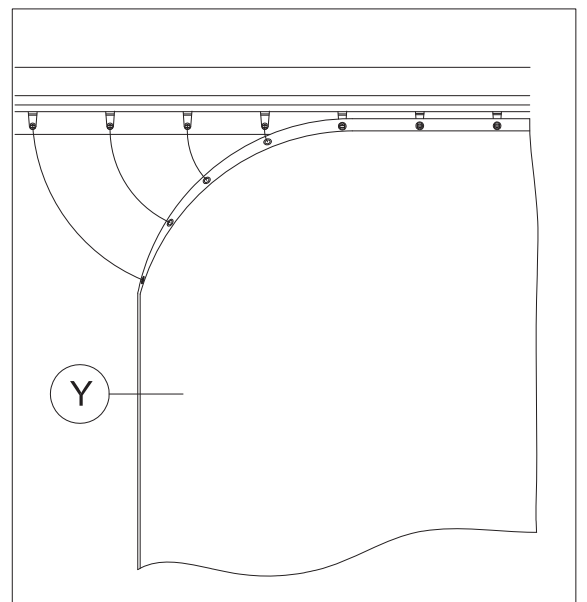
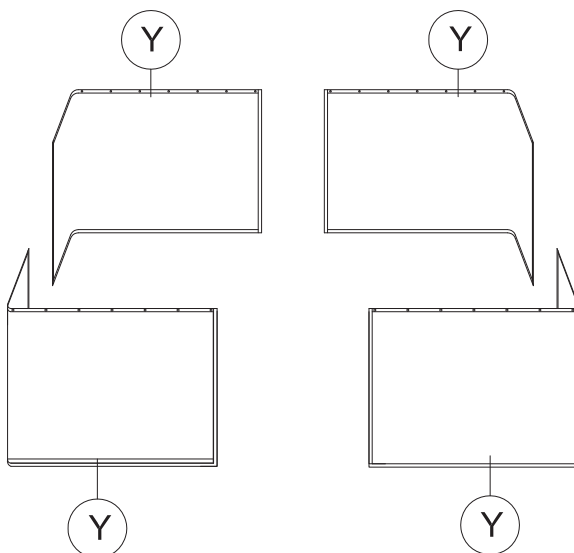
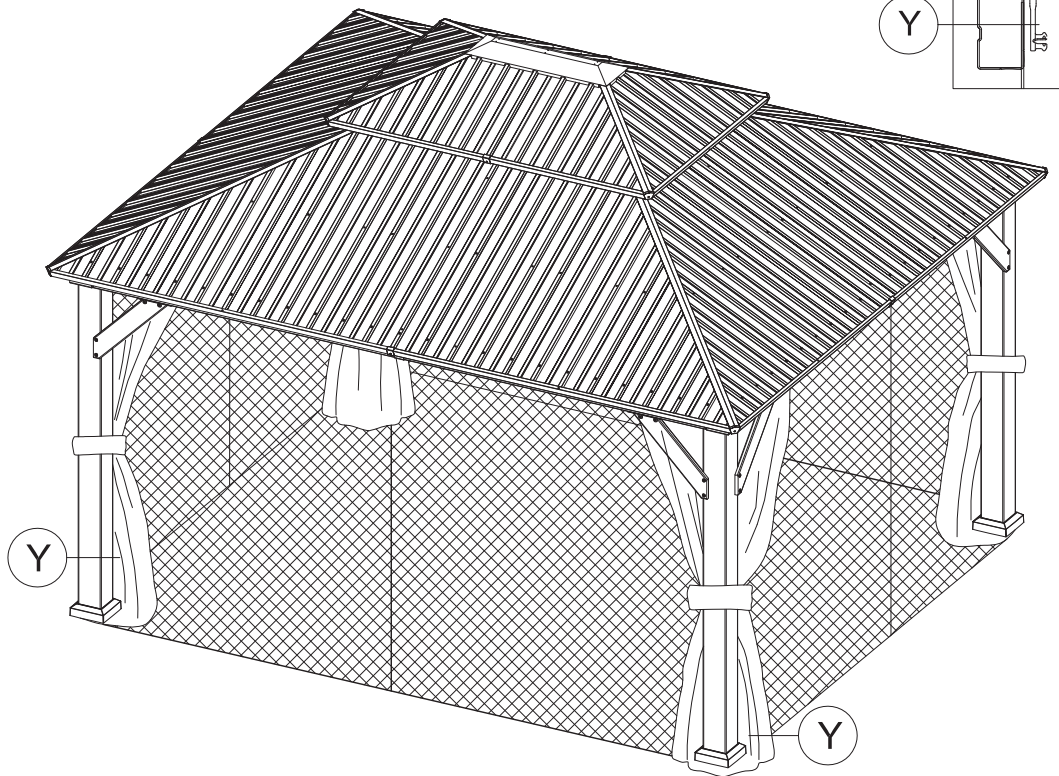
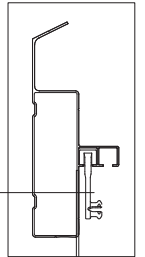
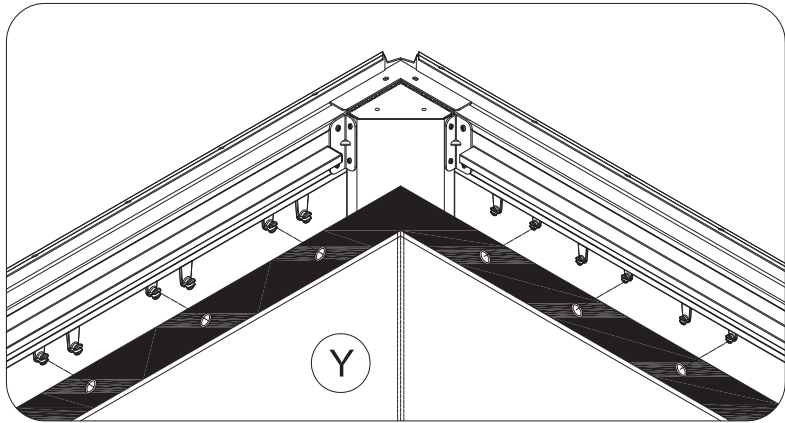


Y1



Y 4x

Hang up Solid Sidewalls to **Outside Track**





RESORT COMFORT IN YONR
OWN BACKYARD

Thanks for your purchase.

At domi outdoor living, we believe in our products.

That's why we provide a 12-month warranty and

friendly, easy-to-reach after-sales service. So if you

have any questions about our product and assembly-

, please feel free to contact us. We will be here for you.

Support:  

email: service@domioutdoorliving.com

Please tell us your order ID when contact.

Attach photos of damaged part for instant reply.