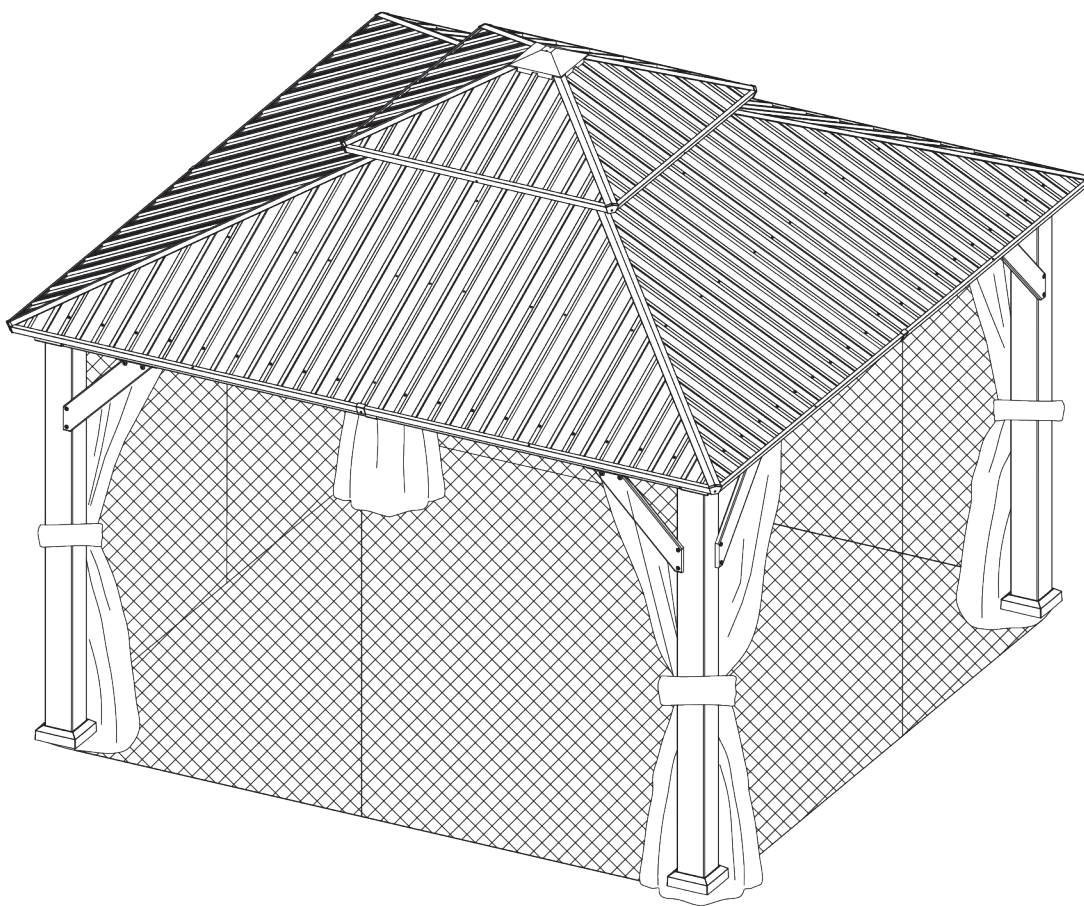




# 12' × 12' Metal Patio Wood Gazebo

## **ASSEMBLY MANUAL**



**MODEL#:LGMF1586**

Missing part? Damaged? Contact us via email at

[service@domioutdoorliving.com](mailto:service@domioutdoorliving.com)

# Pre-assembly



1. Two or more people are required for assembly.



2. You will need one or more stepladders.



3. Wearing protective gloves is recommended.



4. You may need a safety hat.



5. Please use a Phillips screw driver.



6. For ease of construction, you may need a drill.



7. You may need a safety goggle.



8. Do not fully tighten screws prior to complete assembly.

## Warning & Attention

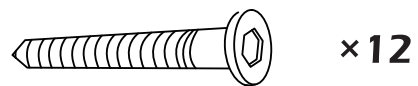
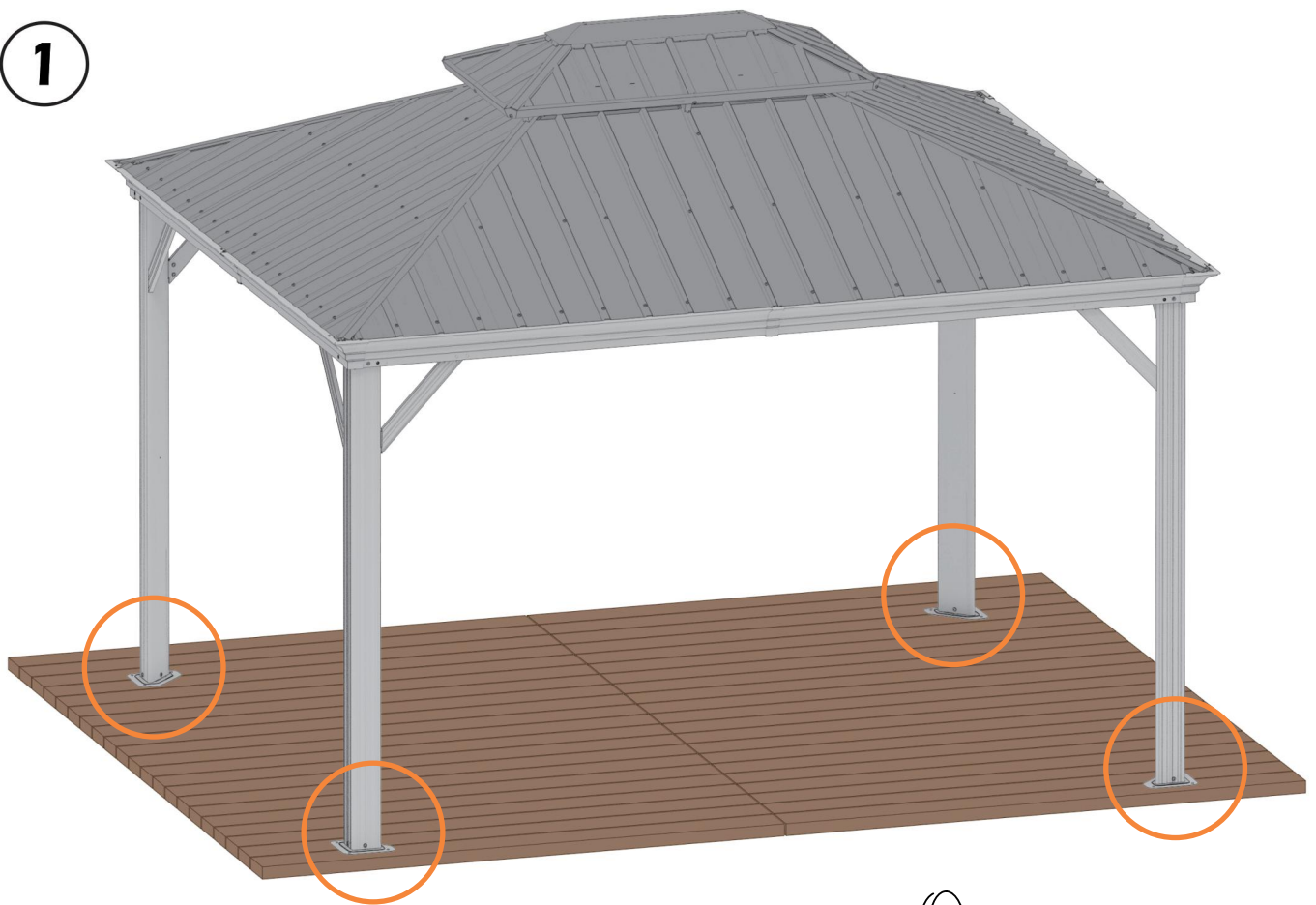
-Try to assemble this product on the flat ground, otherwise it is difficult to carry out;

-It would be much easier to assemble the product with three or more people;

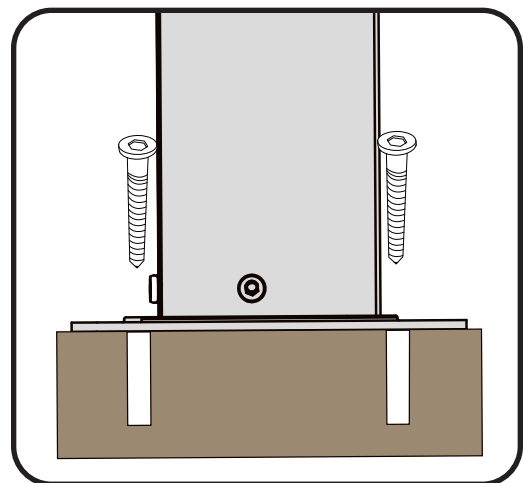
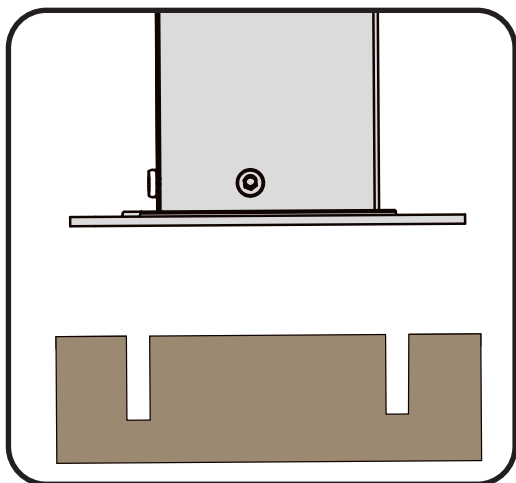
-After assembly, please check whether all screws are tightened, to prevent parts from falling apart.

▲ Use bolts to secure the frame to the ground to against the strong wind.

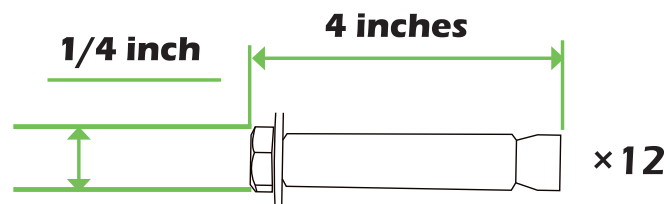
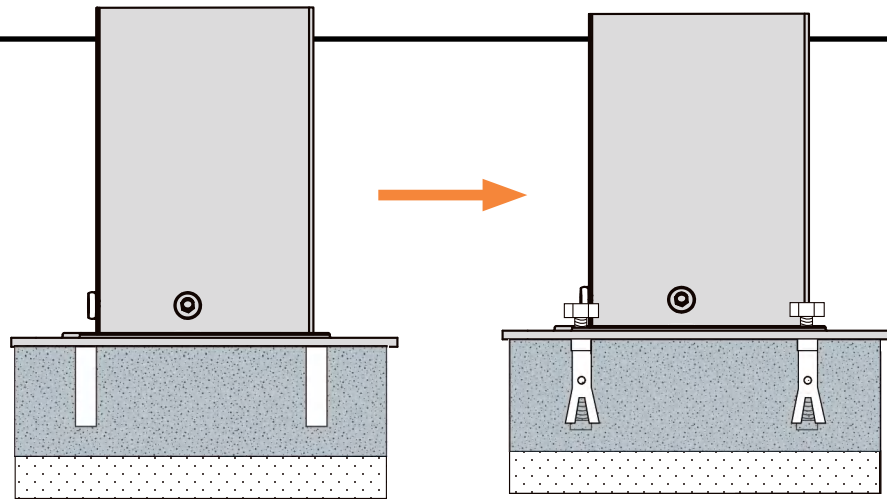
1



If the deck is hard wood and the depth of it is over 3 inch, you can use **5/16 in. x4 in. Structural Wood Screw** to mount the gazebo.

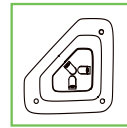
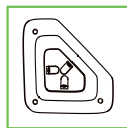
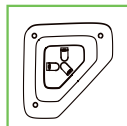


2



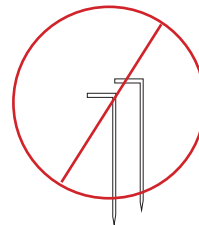
If the ground is concreted and the depth of it is over 3 inch, you can use 1/4 inch expansion bolts to mount the gazebo

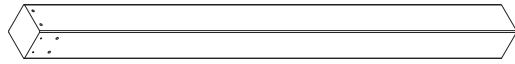
3



Or you can make a concrete footing for gazebo, **15×15×15 inches** is recommended. use expansion bolts to mount the pergola like ② shows.

**IMPORTANT:**  
Anchor is not recommended





A 4x Wood Pole



C 4x Beam



C1 4x Beam



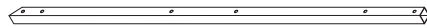
E 4x Corner Roof Bar



E1 4x Corner Roof Bar Connector



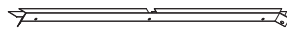
E2 4x Roof Bar



F 8x Solidifying Bar



H 4x Finishing Bar



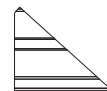
J 4x Finishing Bar



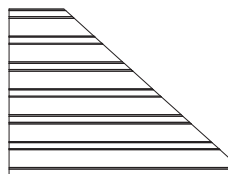
K 4x Finishing Bar



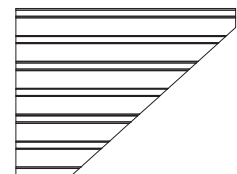
K1 4x Finishing Bar



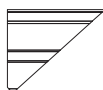
L1 4x Roof Panel



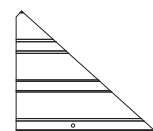
L2 4x Roof Panel



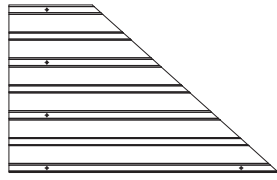
L3 4x Roof Panel



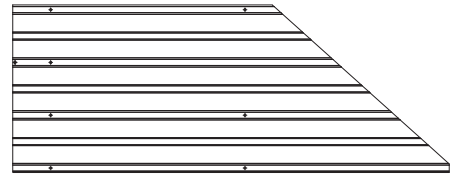
L4 4x Roof Panel



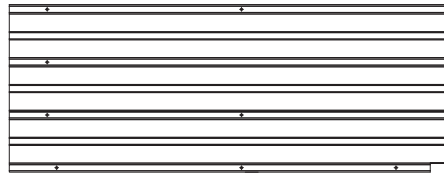
M1 4x Roof Panel



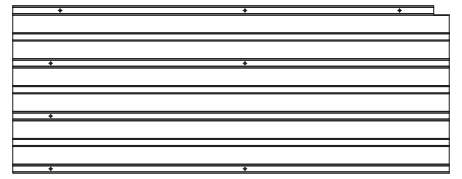
M2 4x Roof Panel



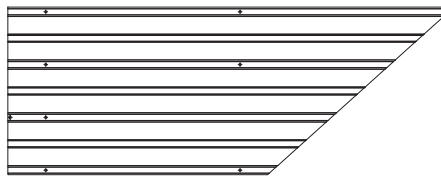
M3 4x Roof Panel



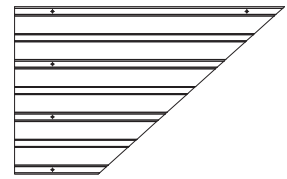
M4 4x Roof Panel



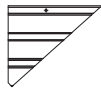
M5 4x Roof Panel



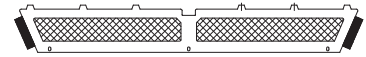
M6 4x Roof Panel



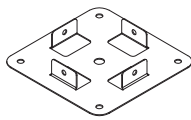
M7 4x Roof Panel



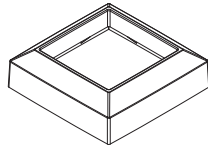
M8 4x Roof Panel



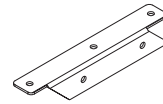
Q 4x Net Frame



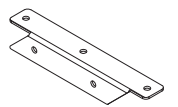
B 4x Base



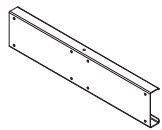
B1 4x Base Cover



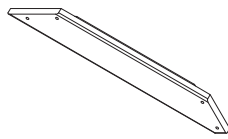
B2 4x Joint Cover



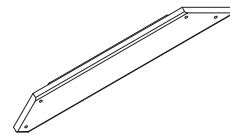
B3 4x Joint Cover



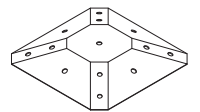
C2 4x Union Bar



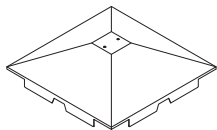
R 4x Corner Solidifying Bar



R1 4x Corner Solidifying Bar



S 1x Inside Roof Cover



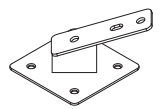
S1 1x Outside Roof Cover



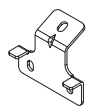
T 1x J-Hook



T1 4x Bracket



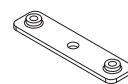
U 4x Bracket



U1 4x Bracket



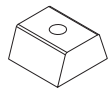
U2 4x Bracket



U3 4x Joint Cover



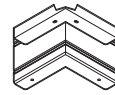
V 112x Hook



W 116x Spacer



X 4x Bracket



X1 4x Corner Cover



X2 4x Finishing End



X3 12x Finishing End



Y 4x Solid Sidewall



Y1 4x Mosquito Sidewall



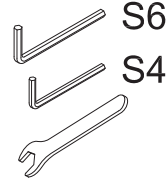
Z 72x Plastic Bracket



Z1 8x Plastic Bracket



Z2 8x Plastic Bracket



1 1x



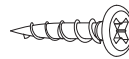
ST6.3x15

2 12x



ST5x16

3 24x



ST5x30

4 16x



M6

5 132x



M6x38

6 16x



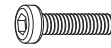
M6x10

7 16x



M6x16

8 124x



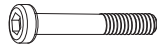
M6x25

9 8x



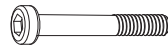
M6x28

10 72x



M6x45

11 4x



M6x50

12 32x



ST6.3x35

13 32x



ST8x30

14 16x



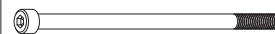
D6.6\*2

15 16x



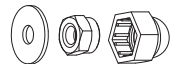
M3x65

16 1x Drill



M8x160

17 16x

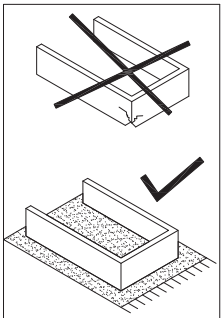


M8

18 16x



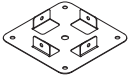
19 16x



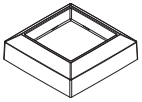
4



A 4x



B 4x



B1 4x



ST6. 3X35

13 16x

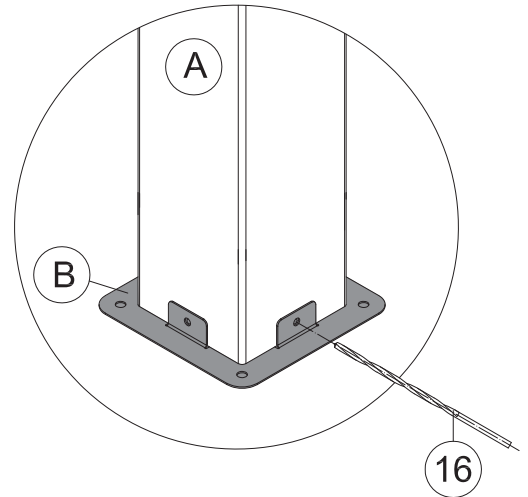
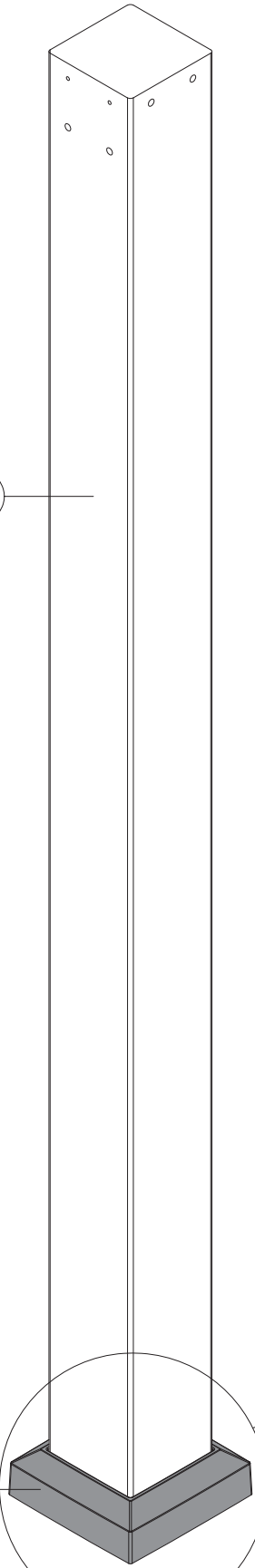


M3x65

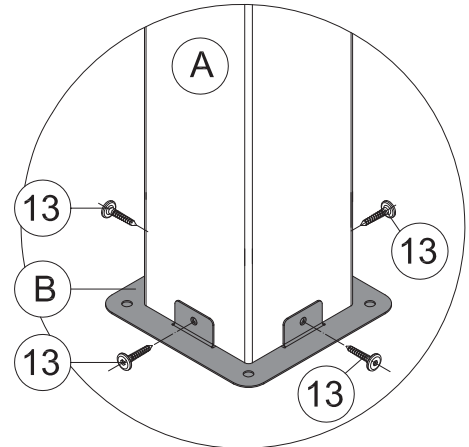
16 1x

X4

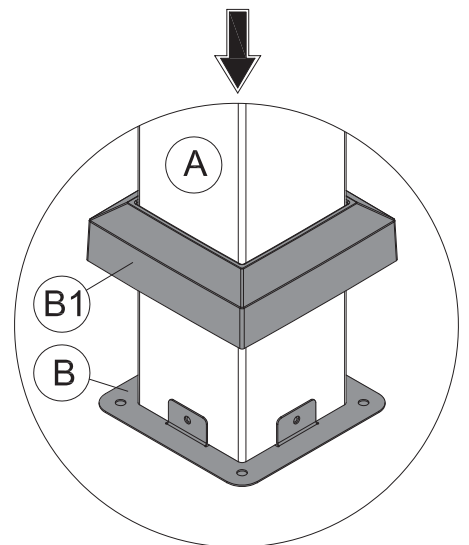
B1



(1) Put Part #B on the bottom of Part #A, after adjusting the position, use Drill #16 to drill holes at the holes in Part #B.



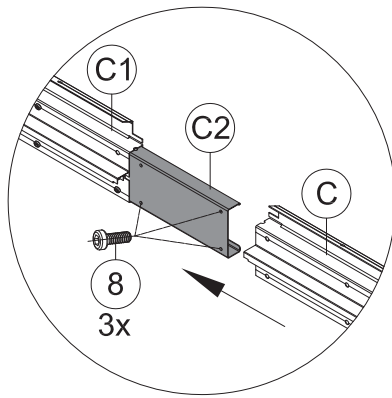
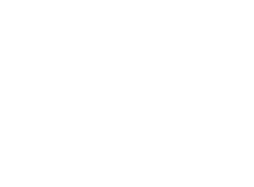
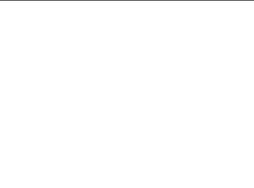
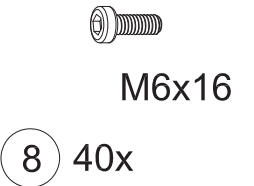
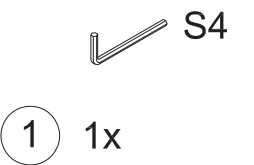
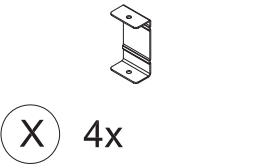
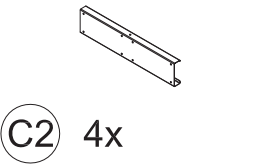
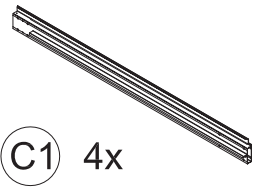
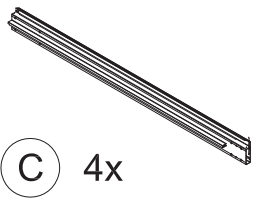
(2) Secure Part #B and Part #A with 4 Bolts #13.



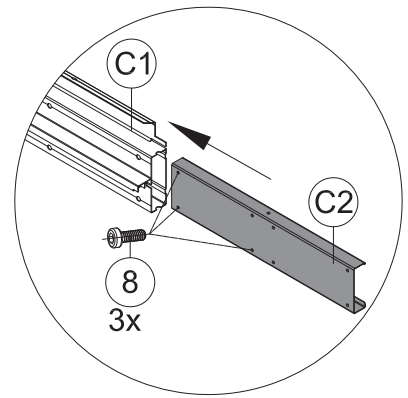
(3) Cover Part #B1 on Part #B.

(4) Repeat the above procedures to assemble the other 3 Part #A.

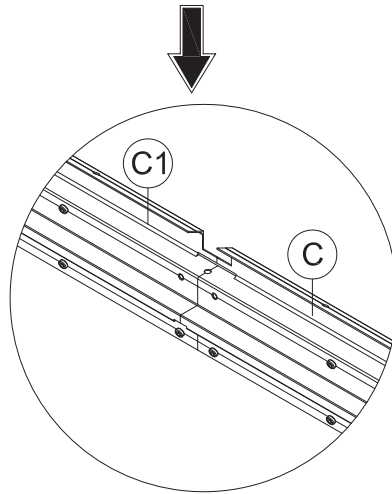




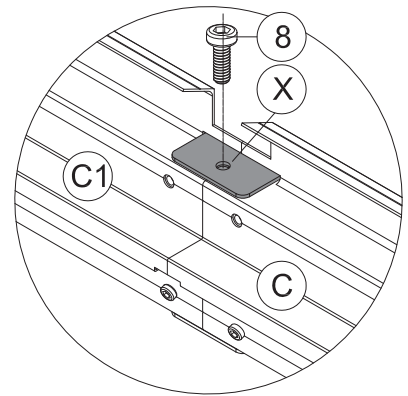
(2) Insert the other side of Part #C2 into Part #C and secure with 3 Bolts #8.



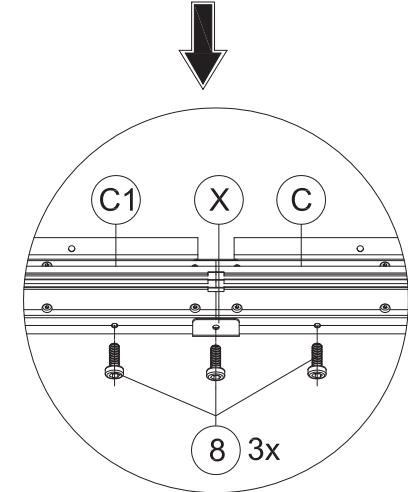
(1) Insert Part #C2 into Part #C1 and secure with 3 Bolts #8.



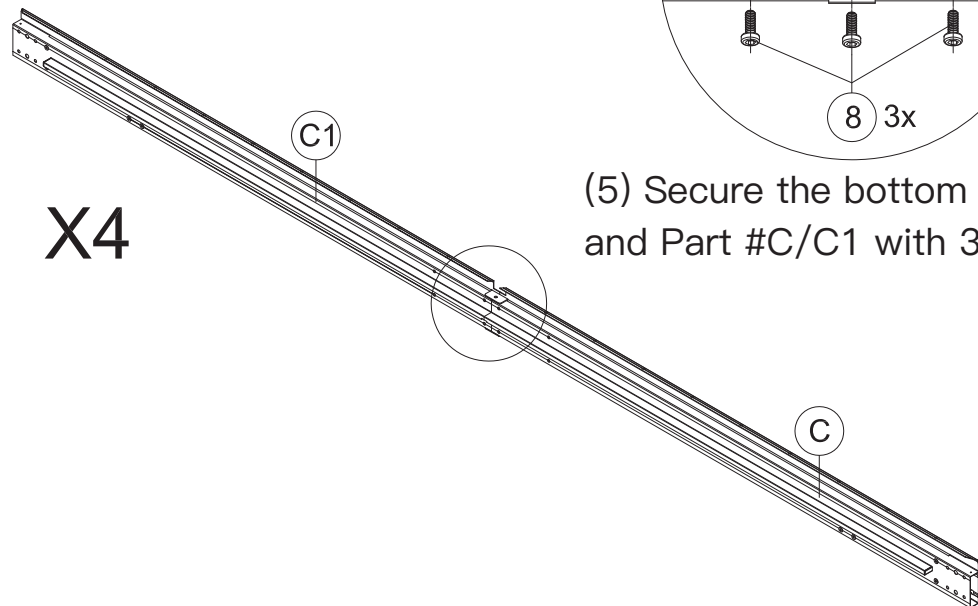
(3) Connect Part #C1 and Part #C through Part #C2.



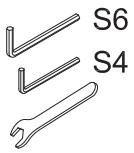
(4) Insert Part #X into the beam and secure with 1 Bolt #8.



(5) Secure the bottom of Part #X and Part #C/C1 with 3 Bolts #8.



(6) Repeat the above procedures to assemble the other 3 sides.



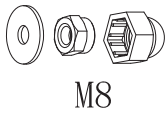
1 1x



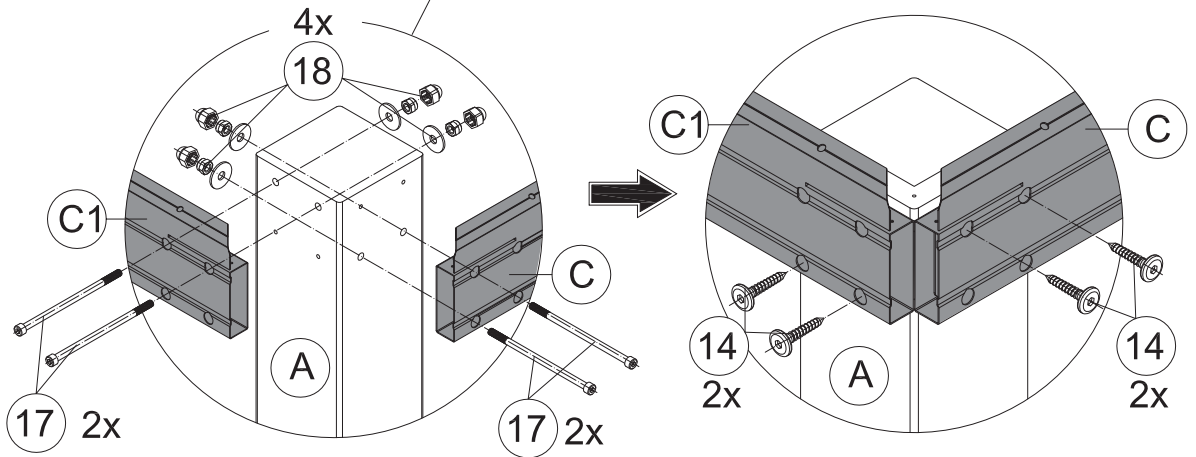
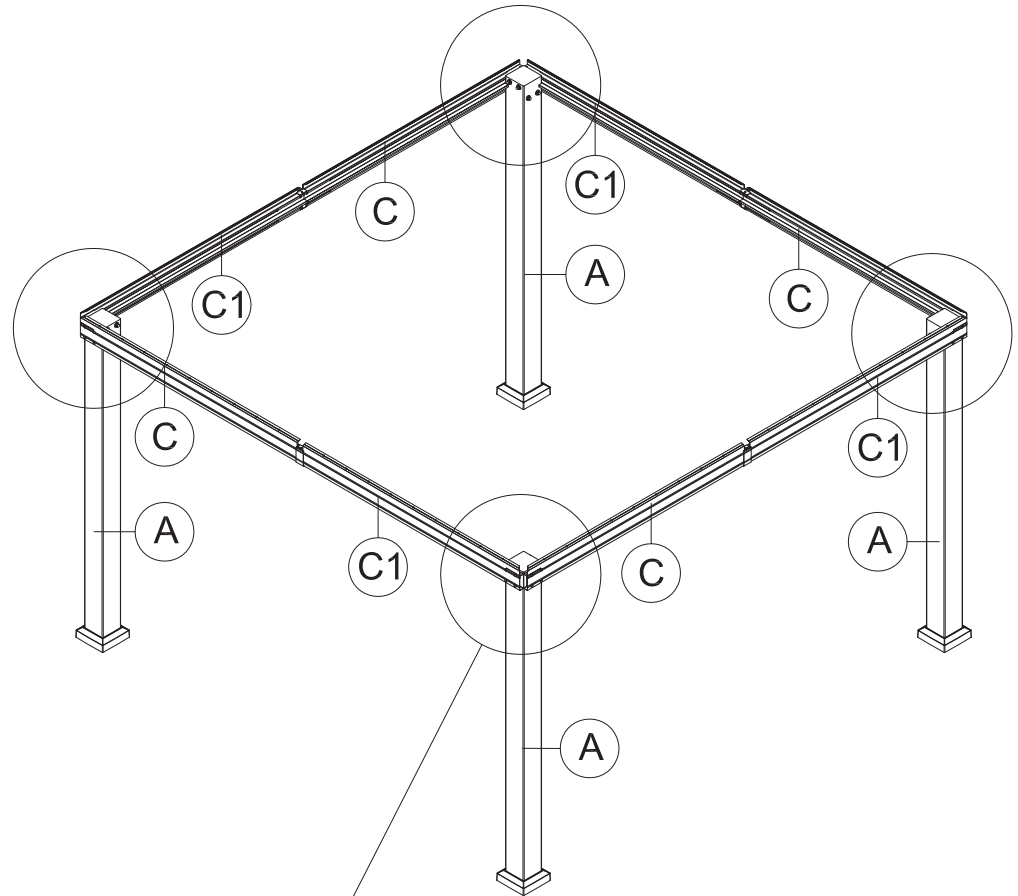
14 16x



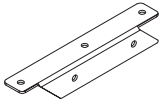
17 16x



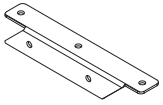
18 16x



- (1) Connect Part #C1 to Part #A with 2 Bolts #17, and fix from the other side with 2 Nuts #18. **(The first row of screw holes)**
- (2) Connect Part #C to Part #A with 2 Bolts #17, and fix from the other side with 2 Nuts #18. **(The second row of screw holes)**
- (3) Secure Part #C & #C1 with 4 Bolts #14.
- (4) Repeat the above procedures to assemble the other 3 corners.



(B2) 4x



(B3) 4x

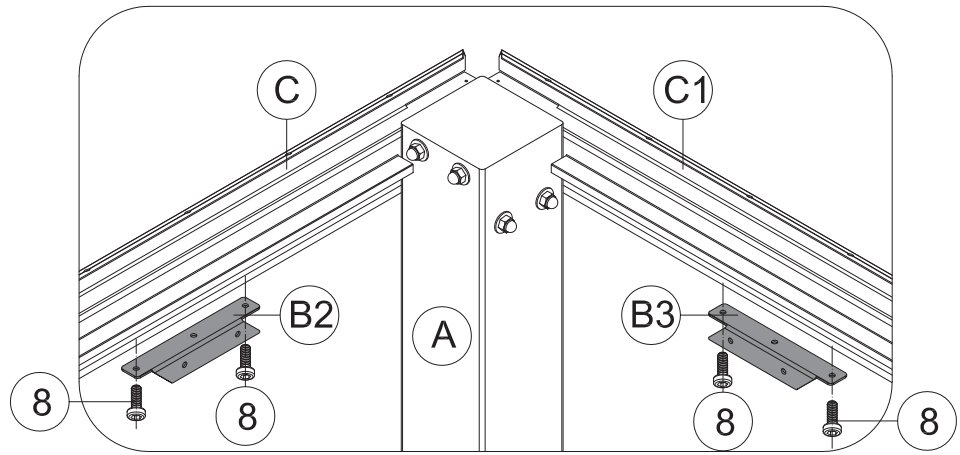


(1) 1x

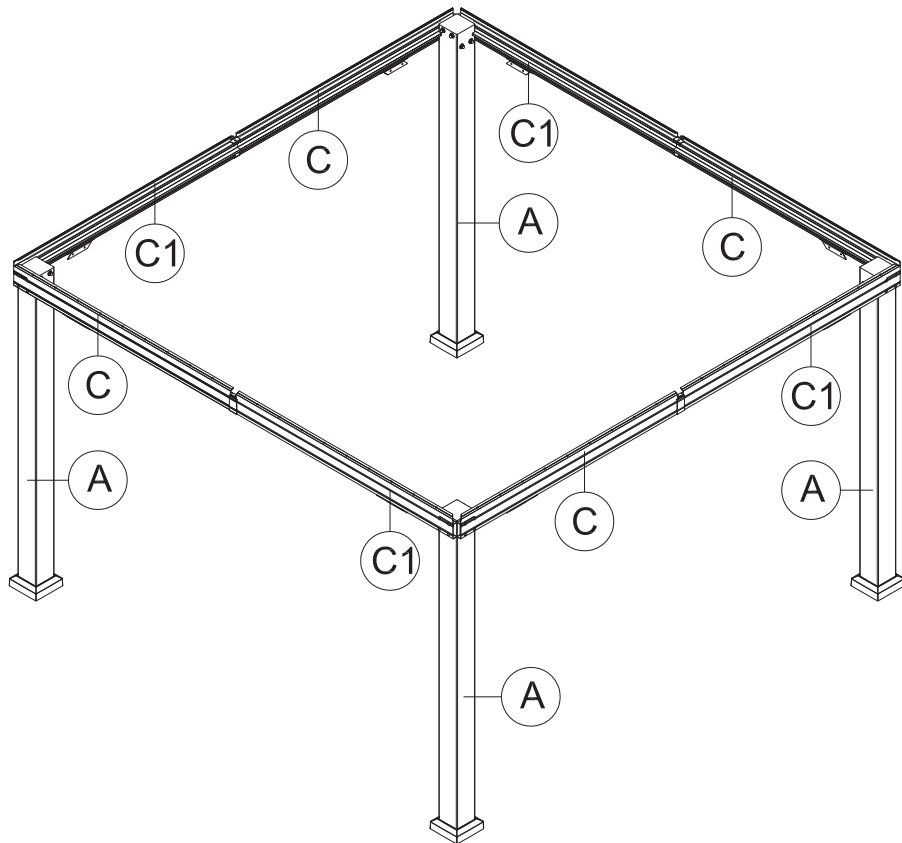


M6x16

(8) 16x

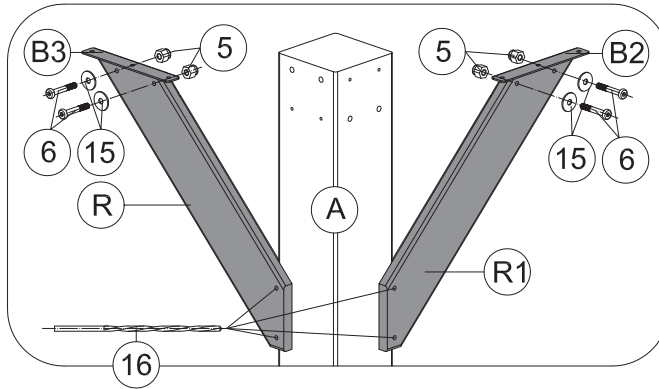


(1) Affix Part #B2 and Part #B3 to the Beam with 4 Bolts #8.



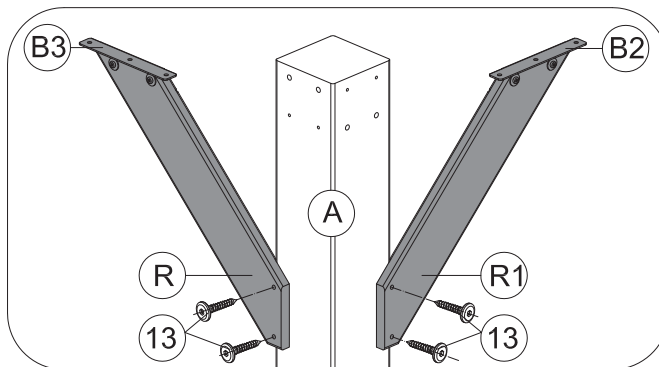
(2) Repeat the above procedures to assemble the other 3 corners.

⚠ Please don't tighten all bolts.



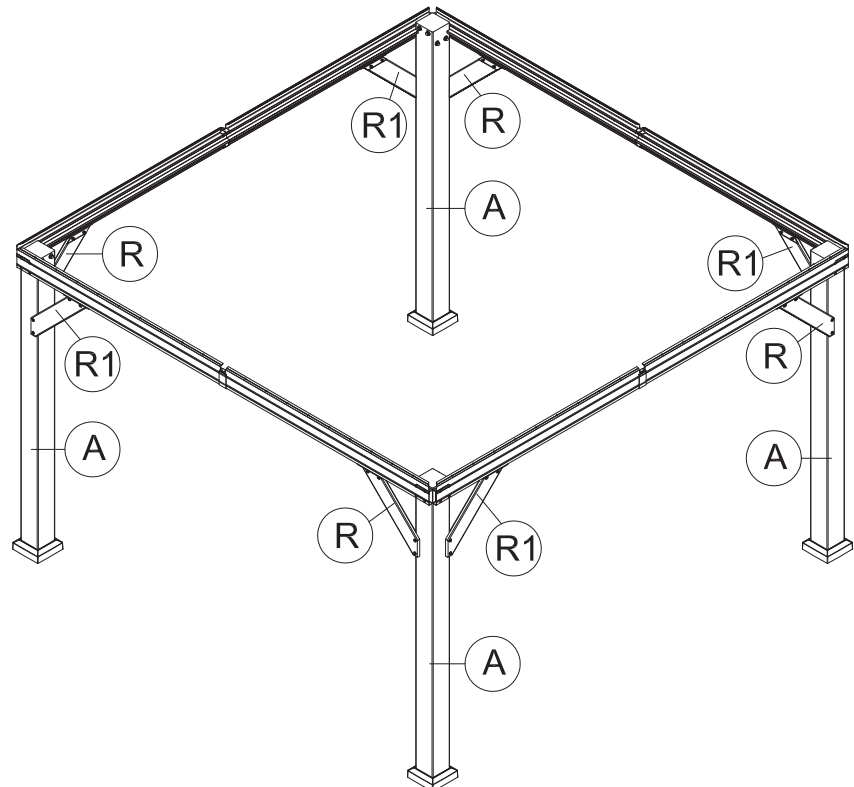
(1) Affix Part #R to the Part #B3 with 2 Bolts #6, 2 Washers #15 and 2 Nuts #5.

(2) Affix Part #R1 to the Part #B2 with 2 Bolts #6, 2 Washers #15 and 2 Nuts #5.



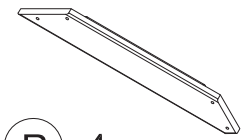
(3) Use Drill #16 to drill holes in the holes reserved for Part #R/#R1.

(4) Affix Part #R and Part #R1 to the posts with 4 Bolts #13.

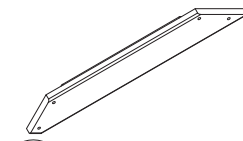


(5) Repeat the above procedures to assemble the other 3 corners.

⚠ Please don't tighten all bolts.



(R) 4x



(R1) 4x



S4

(1) 1x



M6

(5) 16x



M6x38

(6) 16x



ST6. 3X35

(13) 16x



D6. 6\*2

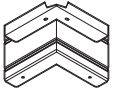
(15) 16x



M3x65

(16) 1x

9



X1 4x

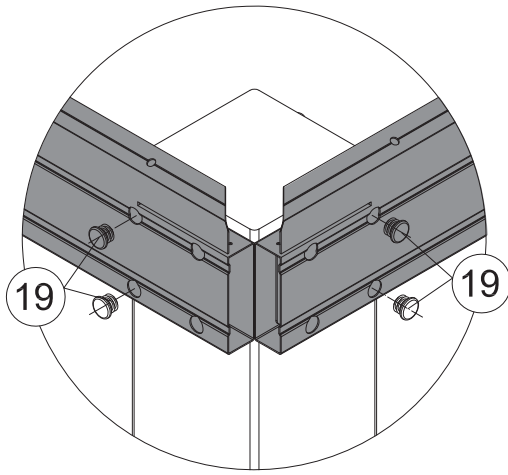


ST5x16

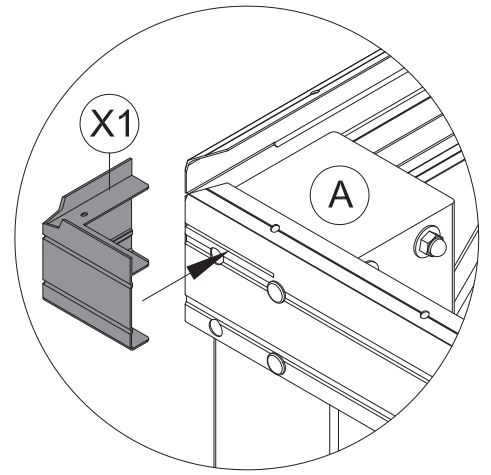
3 16x



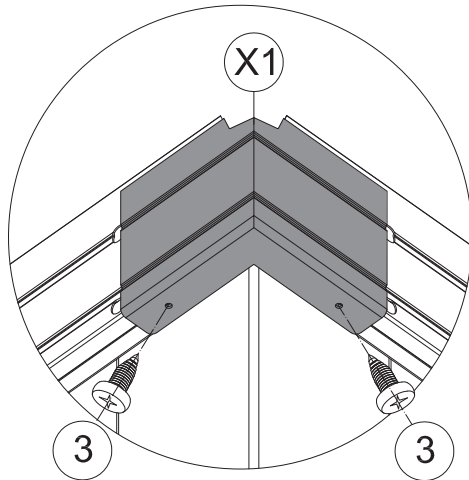
19 16x



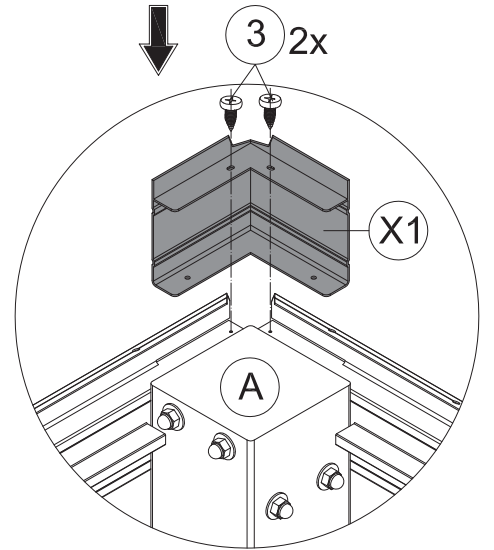
(1) Put 4 Part #19 on the 4 holes.



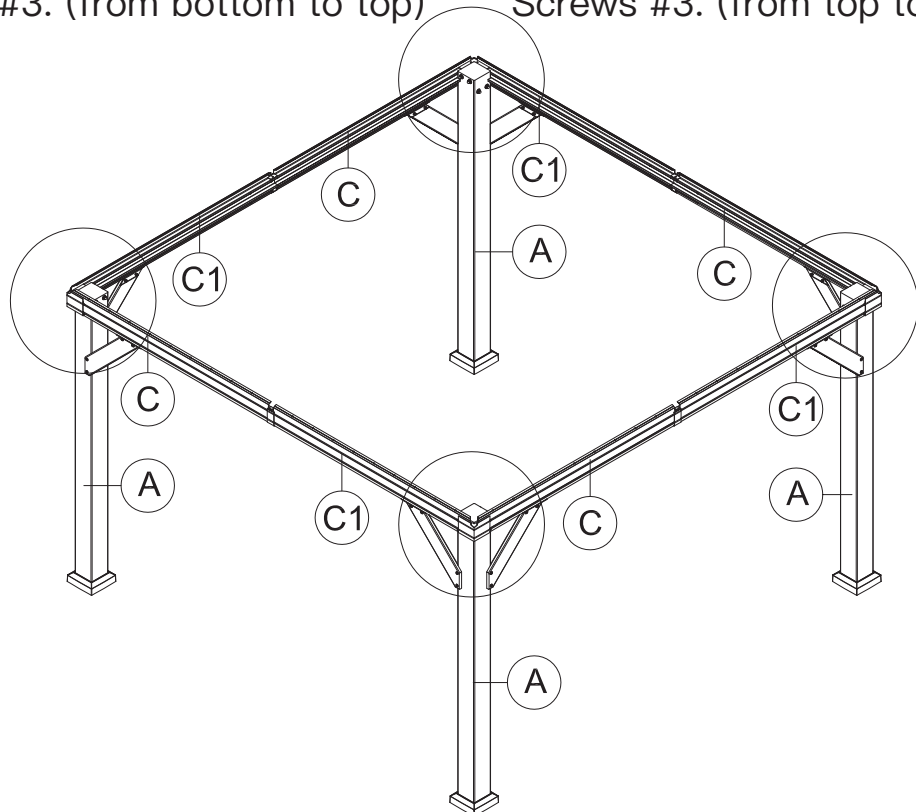
(2) Cover the corner with Part #X1.



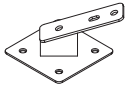
(4) Secure with 2 Self-tapping Screws #3. (from bottom to top)



(3) Secure with 2 Self-tapping Screws #3. (from top to bottom)

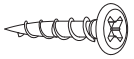


(5) Repeat the above procedures to assemble the other 3 corners.



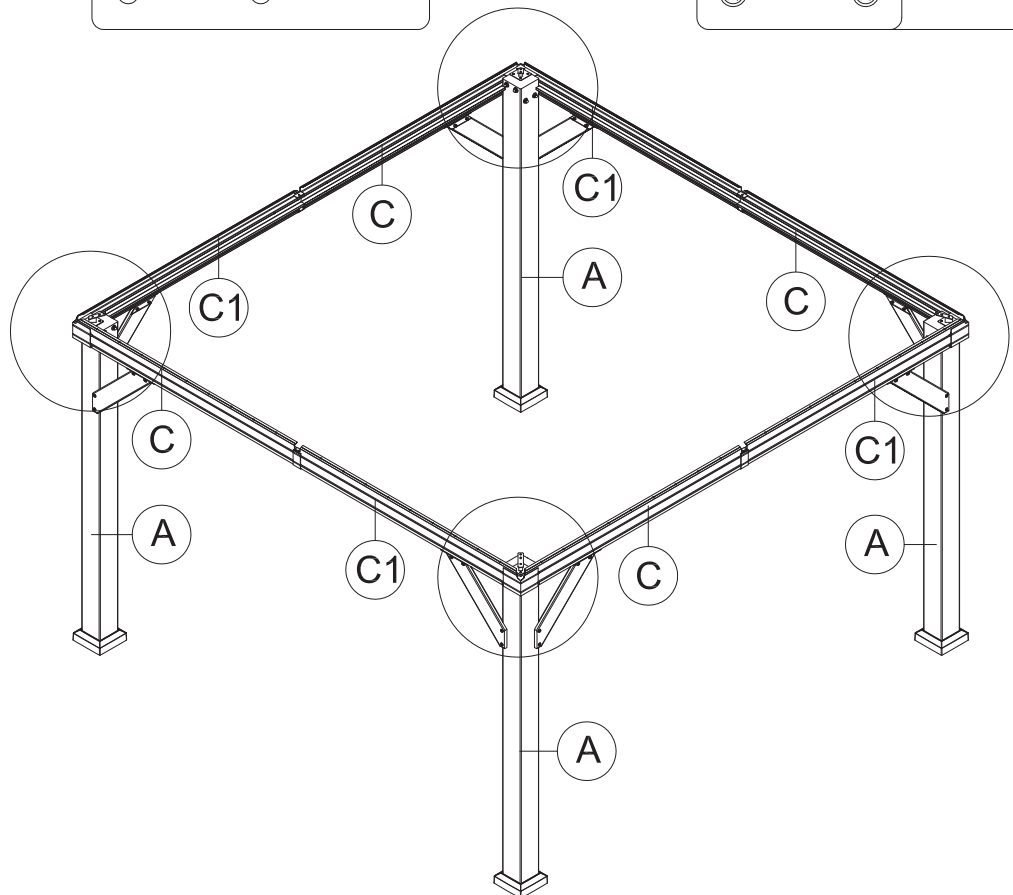
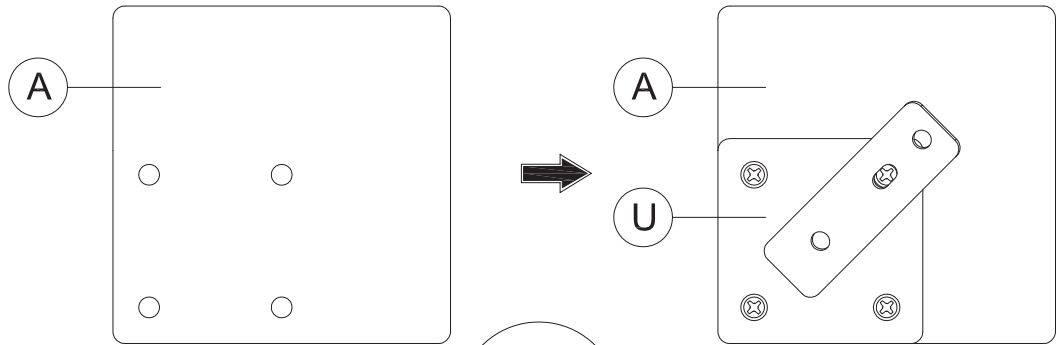
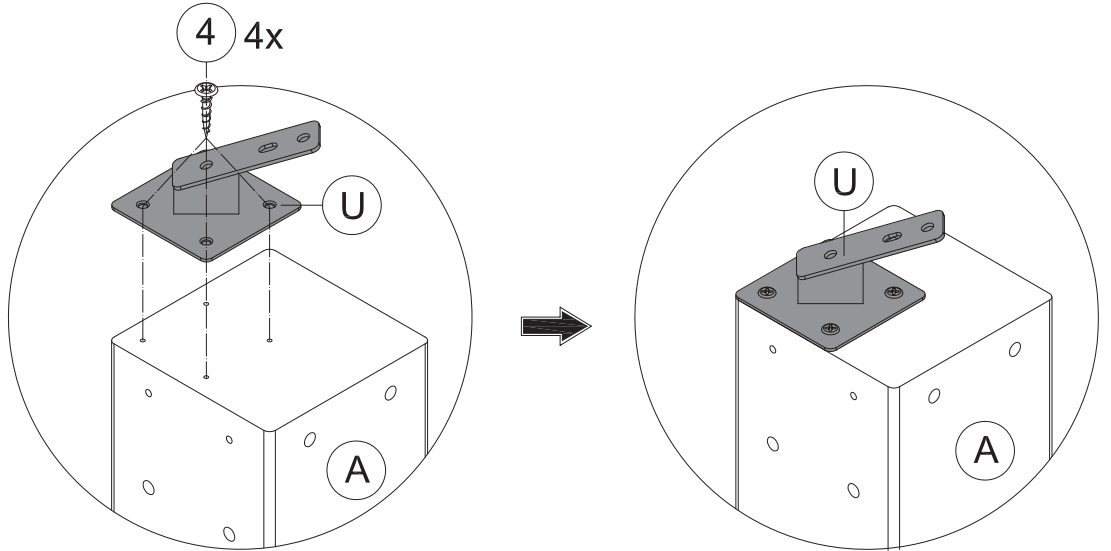
(1) Connect Part #U to Part #A with 4 Bolts #4.

U 4x



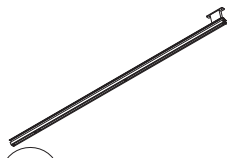
ST5x30

4 16x



(2) Repeat the above procedures to assemble the other 3 corners.

▲ Tighten all bolts.



E 4x



E1 4x



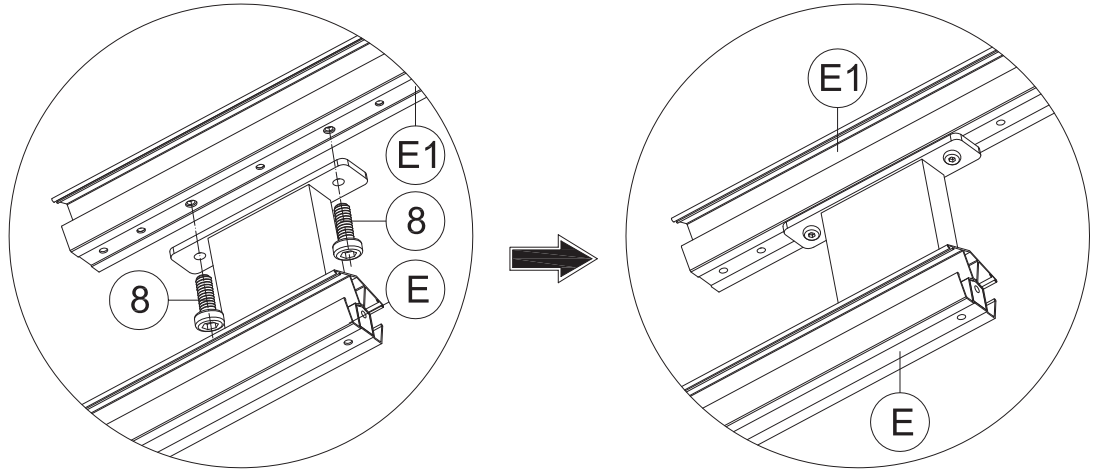
1 1x



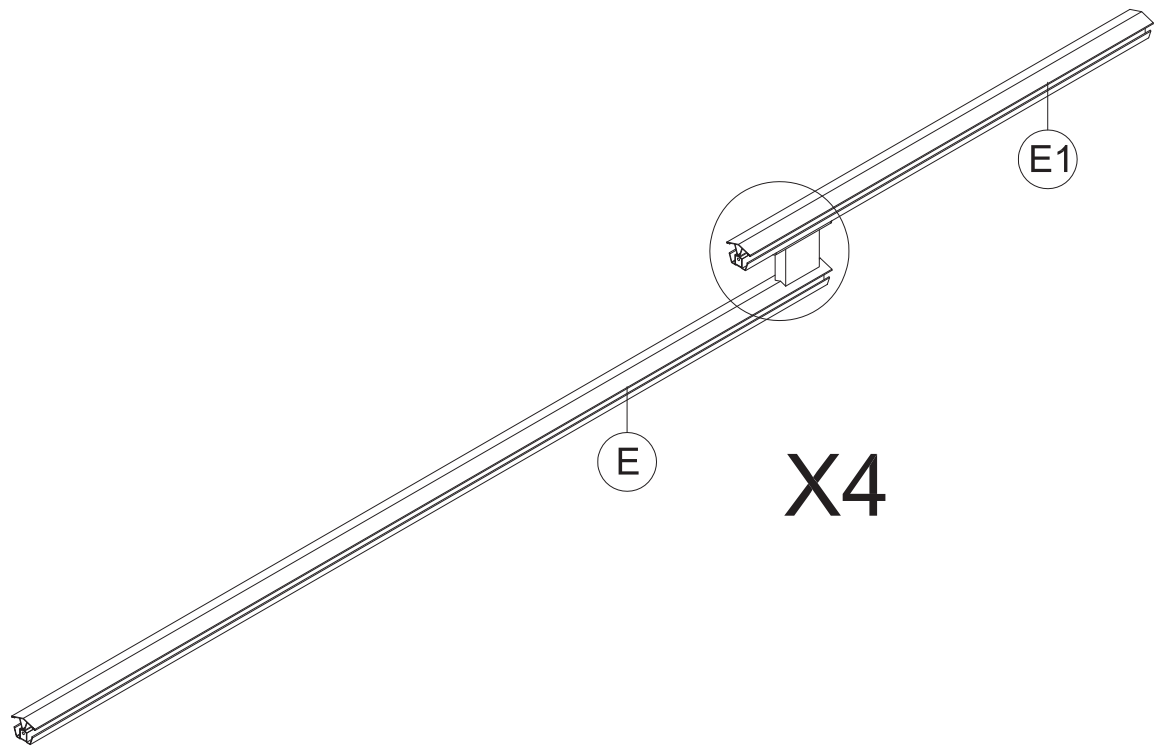
M6x16

8 8x

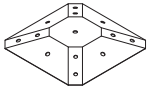
### Assemble the 4 Corner Roof Bars:



(1) Connect Part #E1 and Part #E with 2 Bolts #8 .



(2) Repeat the above procedures to assemble the other 3 corner roof bars.



S 1x



1 1x



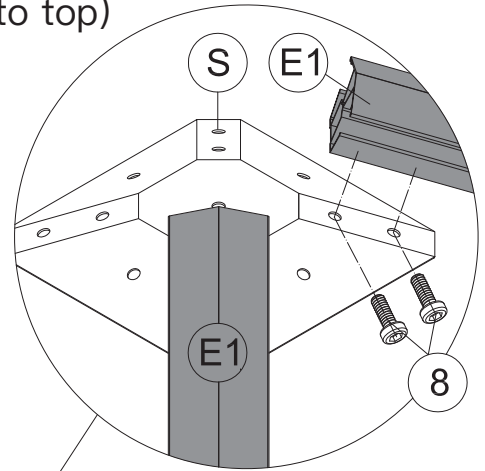
M6x16

8 16x

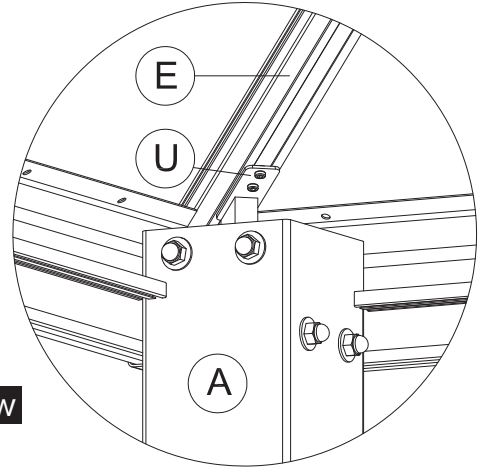
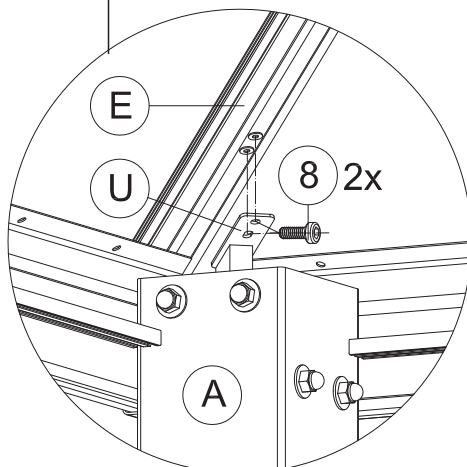
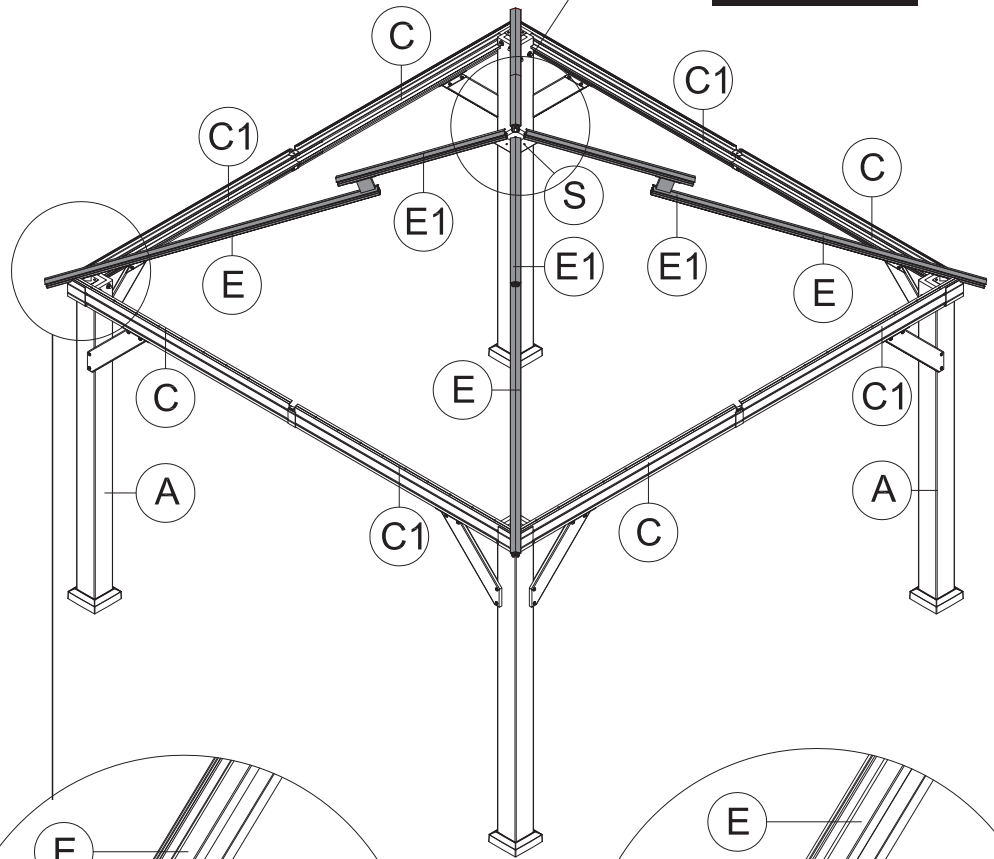
Please have a freestanding ladder ready at the center of the gazebo.

(1) Place 4 Part #E1 on the 4 corners of Part #S.  
Secure with 8 Bolts #8 (from bottom to top)

**ATTENTION:** You can also finish this step on the ground and then lift 4 corner roof bars and inside roof connector to the top together. (Need 2 people and 2 ladders)



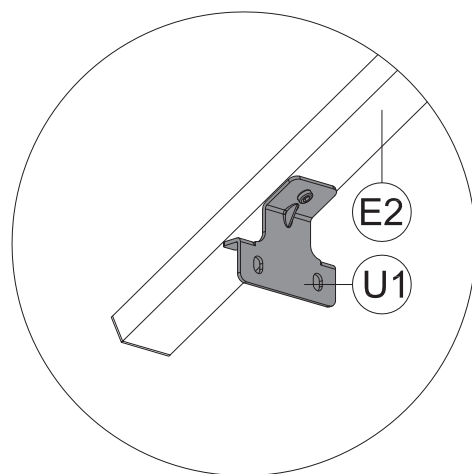
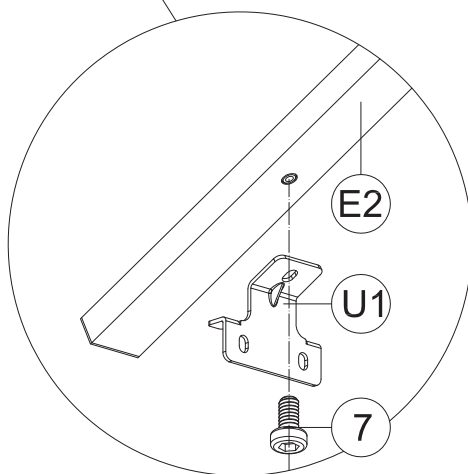
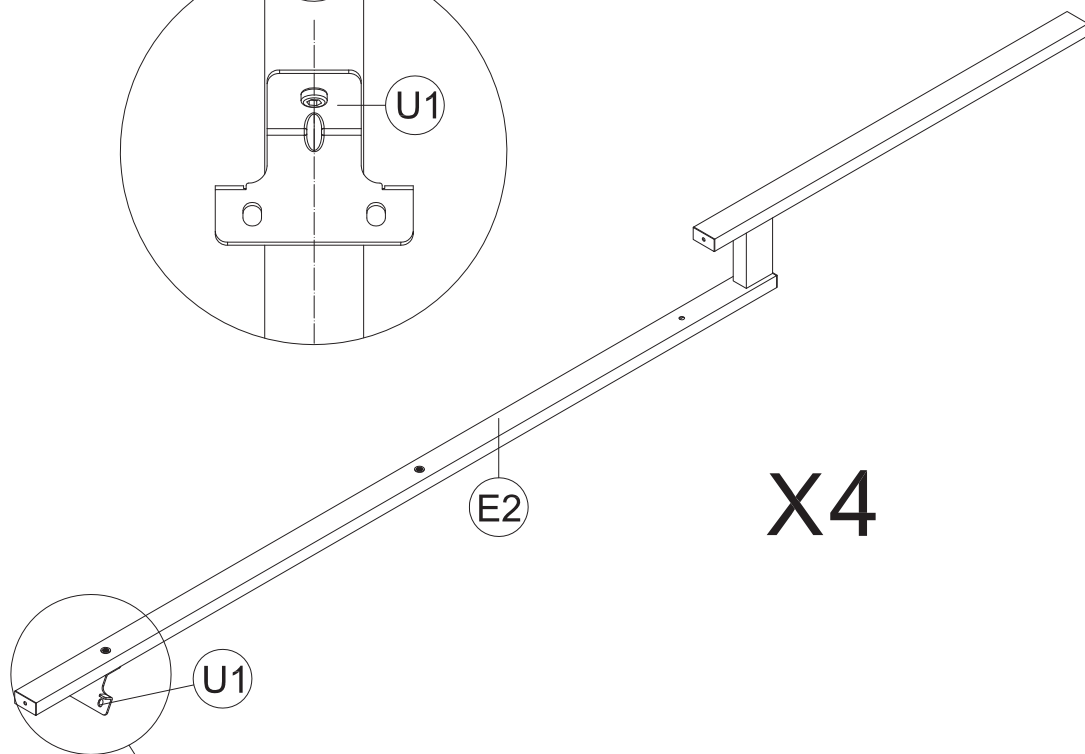
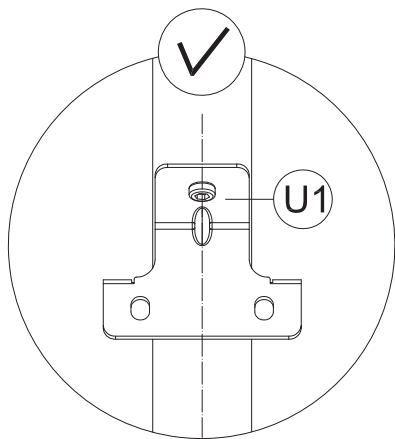
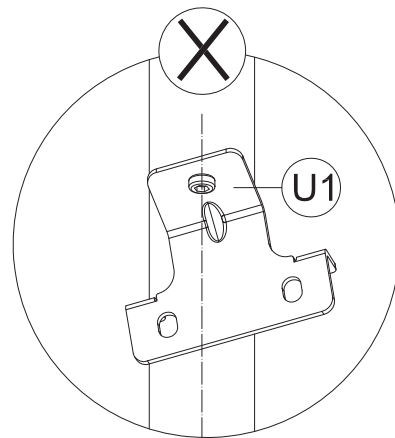
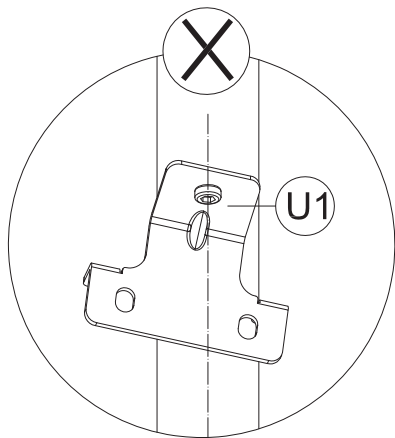
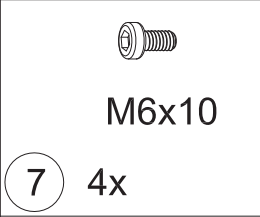
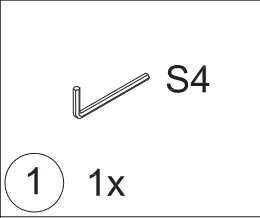
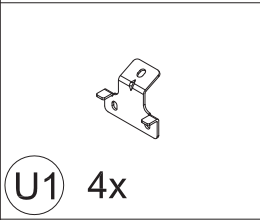
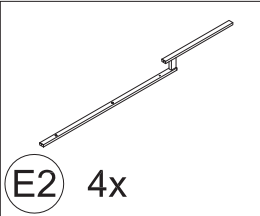
Outside View



Inside View

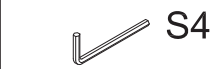
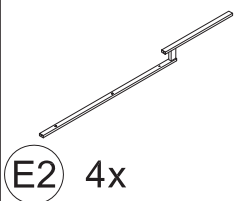
(2) Place 4 Part #E on 4 Part #A; Secure with 4 Part U and 8 Bolts #8.





(1) Attach Part #U1 to Part #E2 with Bolt #7 .

(2) Repeat the above procedures to assemble the other 3 roof bars.



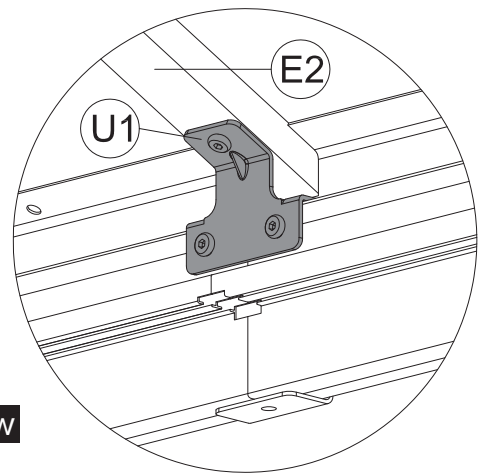
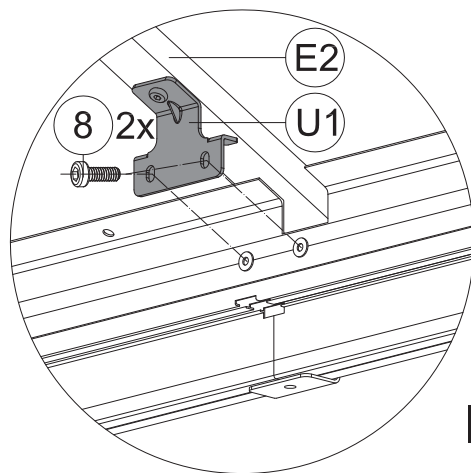
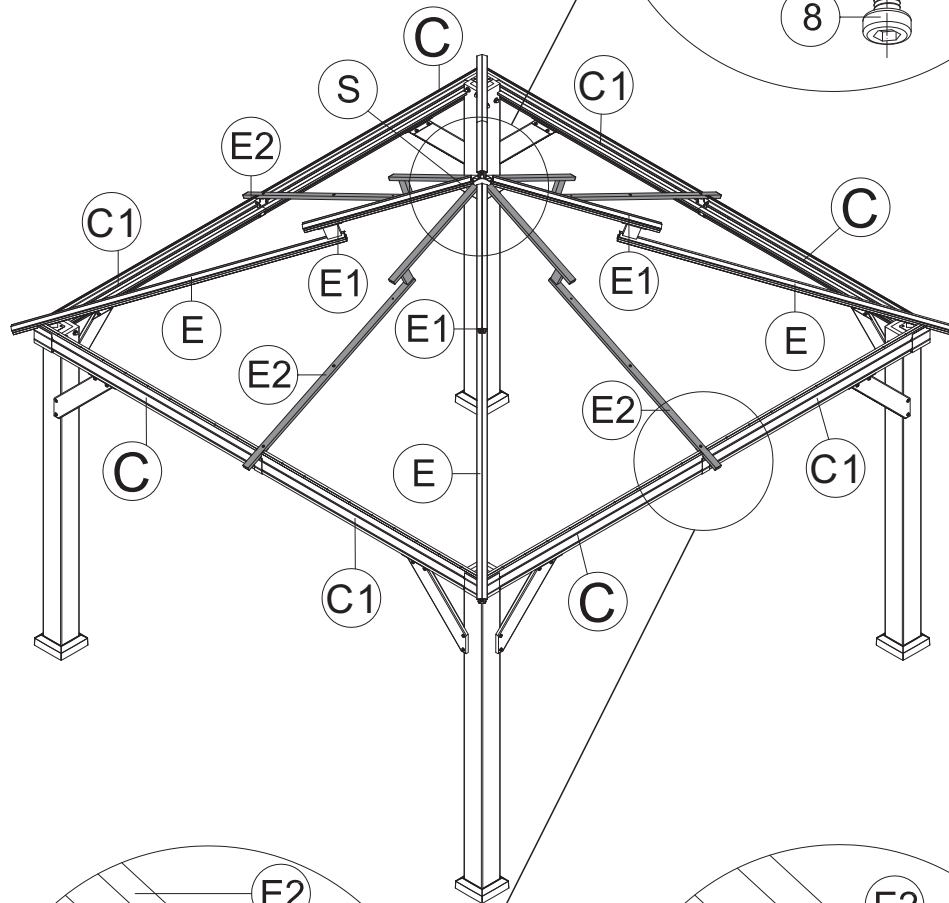
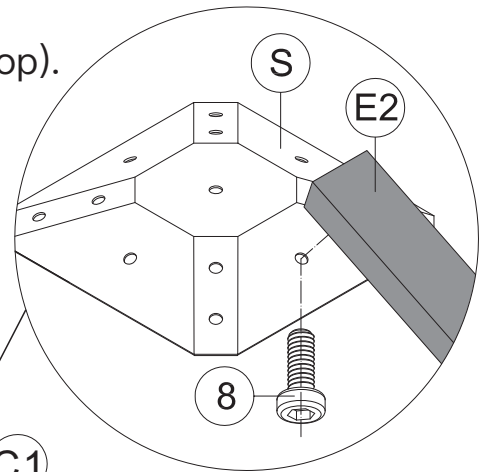
1 1x



8 12x

(1) Place Part #E2 on part #S.  
Secure with Bolt #8 (from bottom to top).

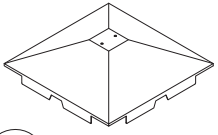
Outside View



Inside View

(2) Connect Part #E2 and the Assembled Beam(C&C1) with part #U1.  
Secure with 2 Bolts #8 .

(3) Repeat the above procedures to assemble the other 3 sides.

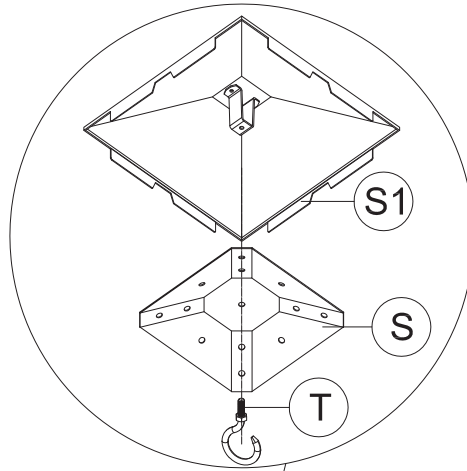


(S1) 1x

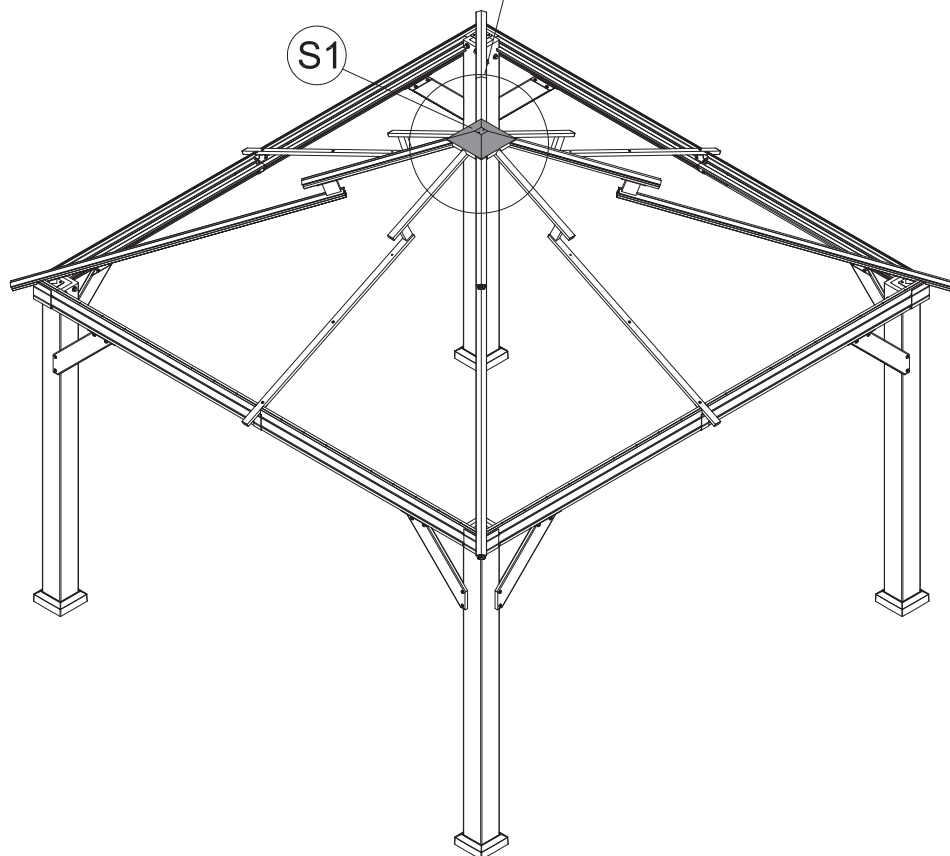


(T) 1x

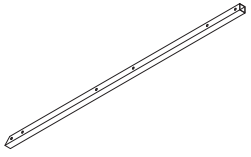
Secure Part #T to Part #S and Part #S1.(from bottom to top)



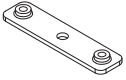
Outside View



**ATTENTION:** The holes of Part #S and Part #S1 need to be aligned, on the same vertical line.



F 8x



U3 4x



1 1x



M6x10

7 4x

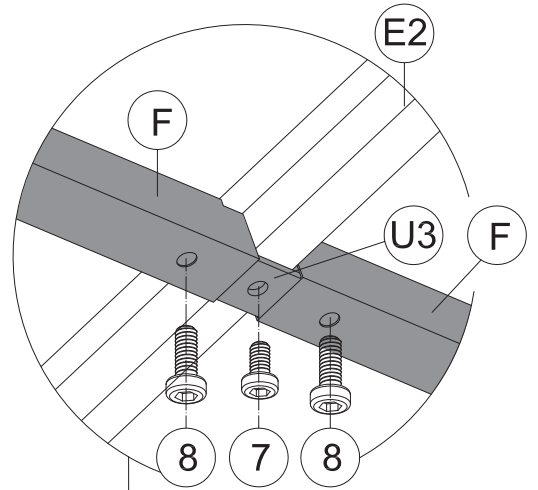


M6x16

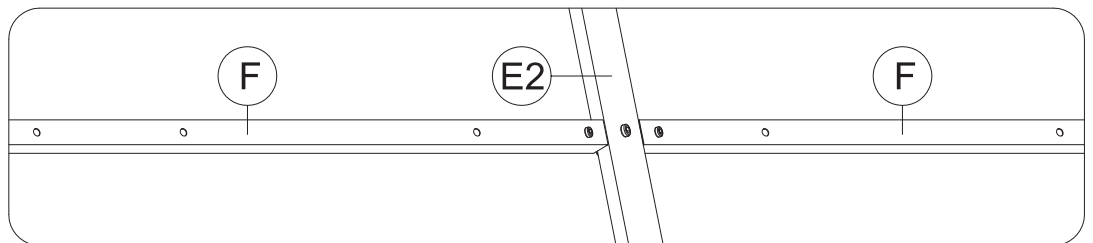
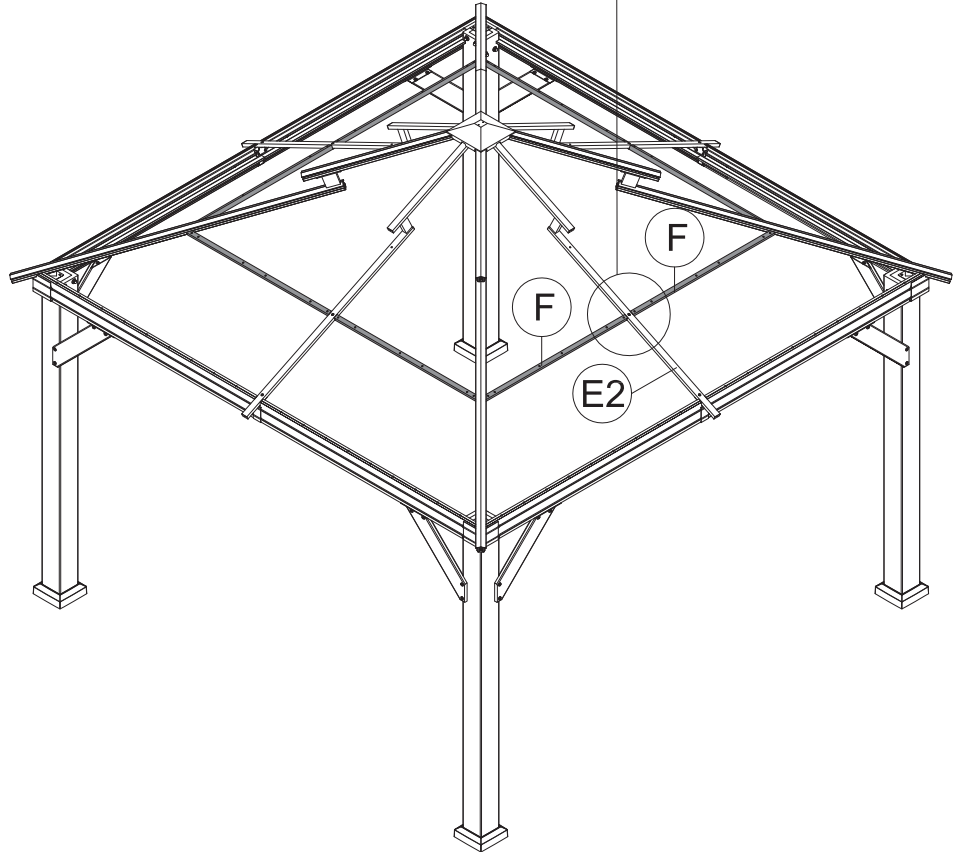
8 8x

(1) Insert Part #U3 into 2 Part #F.

(2) Attach 2 Part #F to Part #E2 with 1 Bolt #7 and 2 Bolts #8.



Inside View



(3) Repeat the above procedures to assemble the other 3 sides.



U2 4x

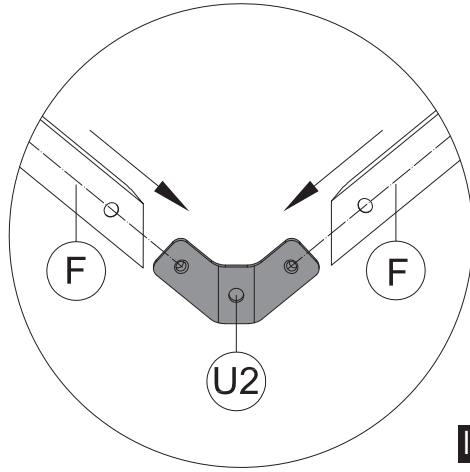


1 1x

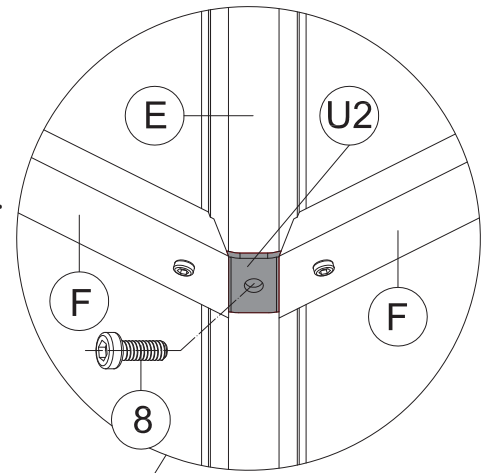
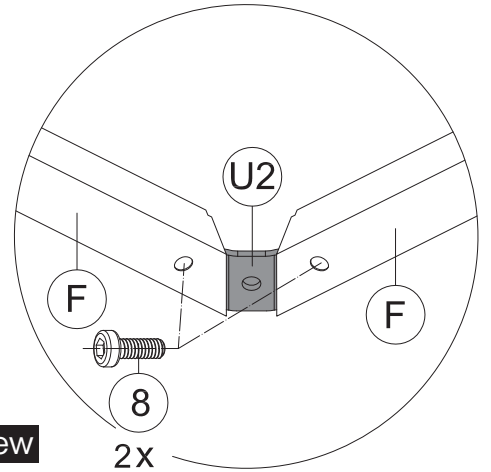


M6x16

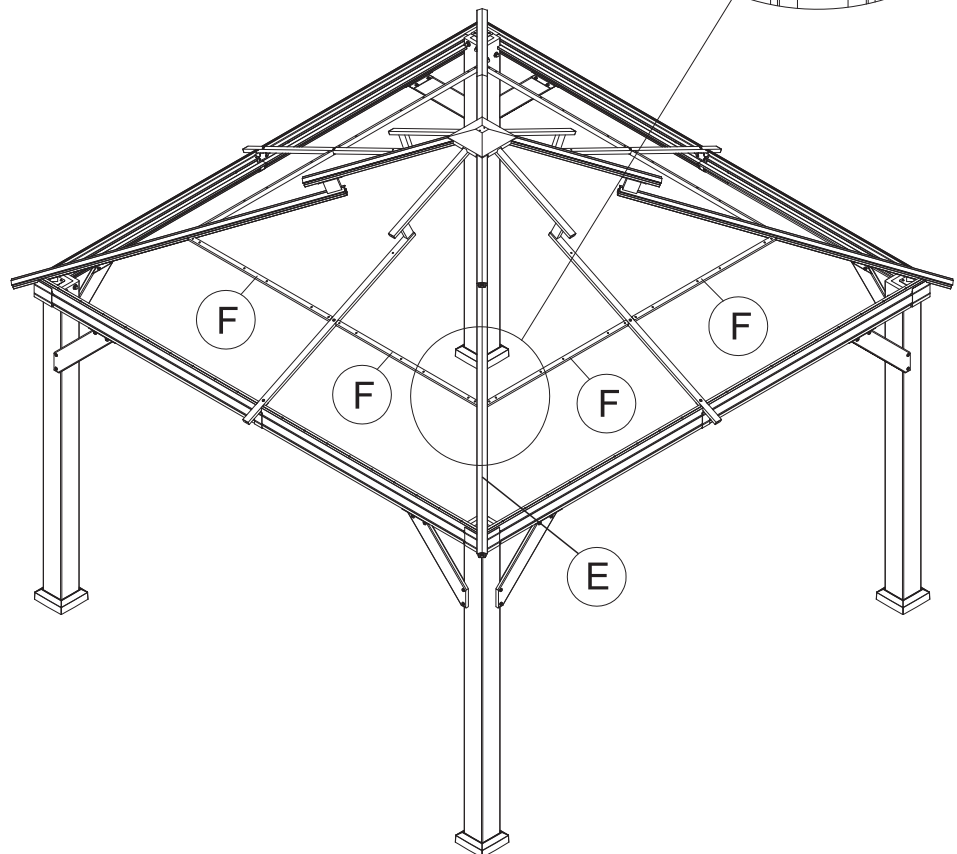
8 12x



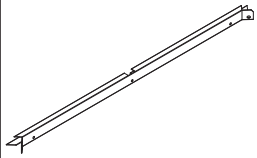
Inside View



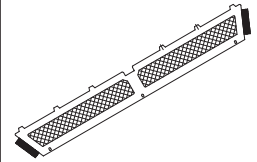
- (1) Insert Part #U2 into 2 Part #F.
- (2) Secure with 2 Bolts #8.
- (3) Secure them to Part #E with Bolt #8.



(4) Repeat the above procedures to assemble the other 3 corners.



J 4x



Q 4x



1 1x



M6

5 8x



M6x10

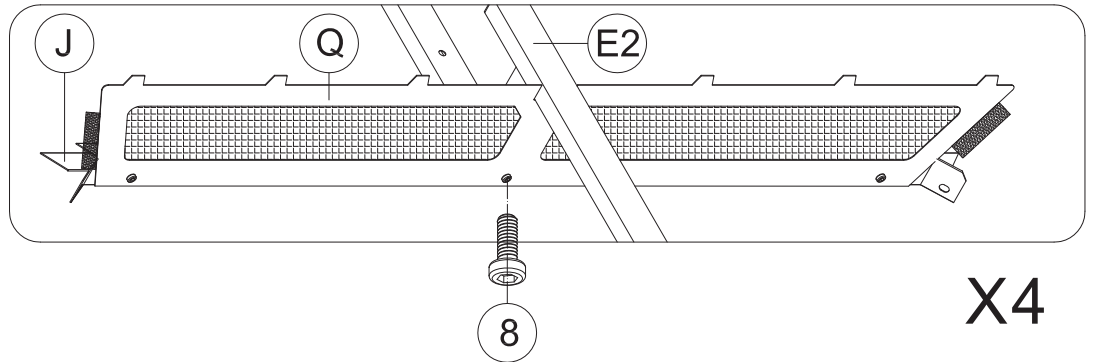
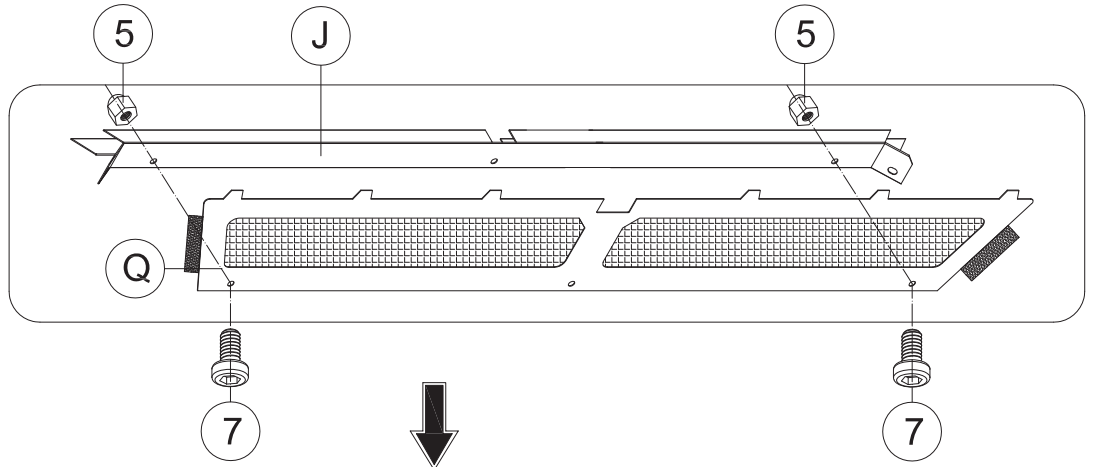
7 8x



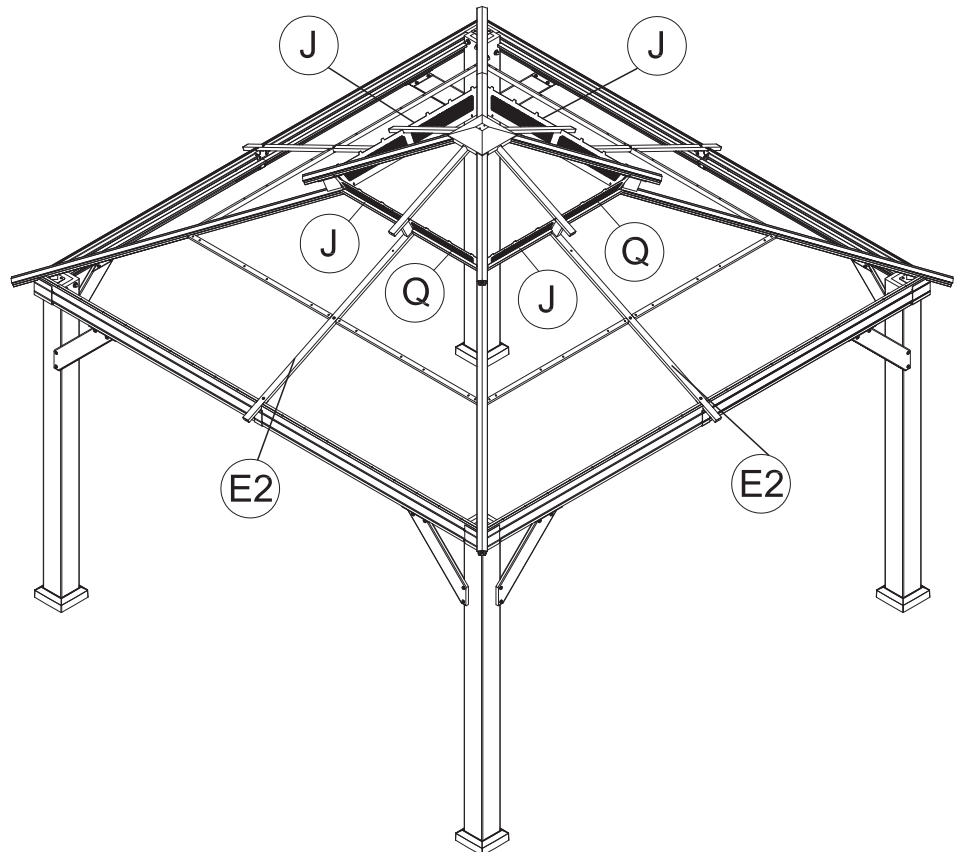
M6x16

8 4x

(1) Connect Part #J and Part #Q with 2 Bolts #7 and 2 Nuts #5.



(2) Place the Assembled Part #J & #Q on Part #E2, securing with 1 Bolt #8.



(3) Repeat the above procedures to assemble the other 3 sides.



X3 4x

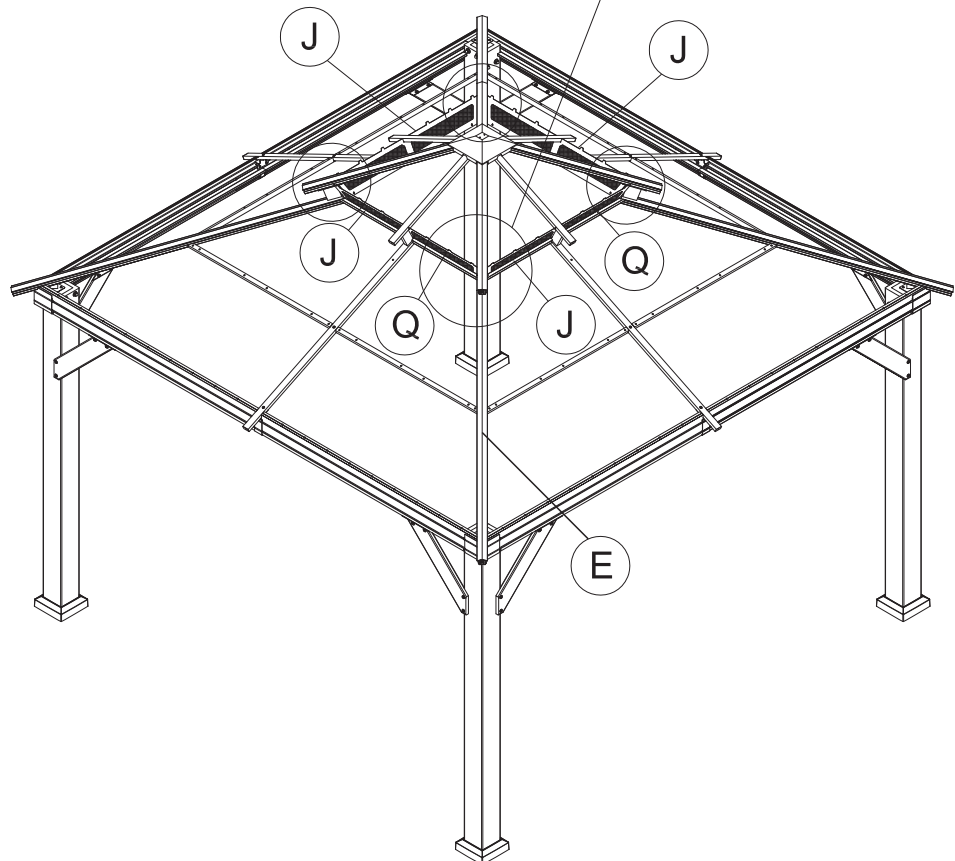
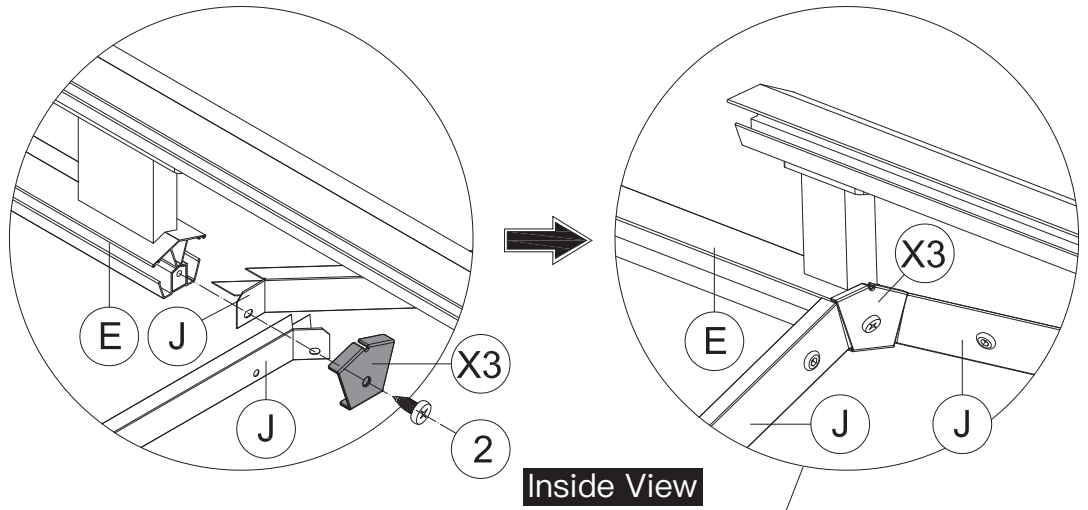


1 1x




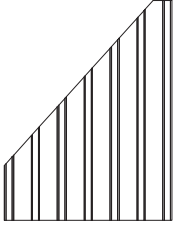
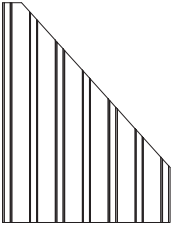
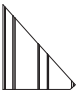



ST6.3x15  
2 4x

(1) Place 2 Part #J on Part #E;  
put on Part #X3 and secure with Self-tapping Screw #2.

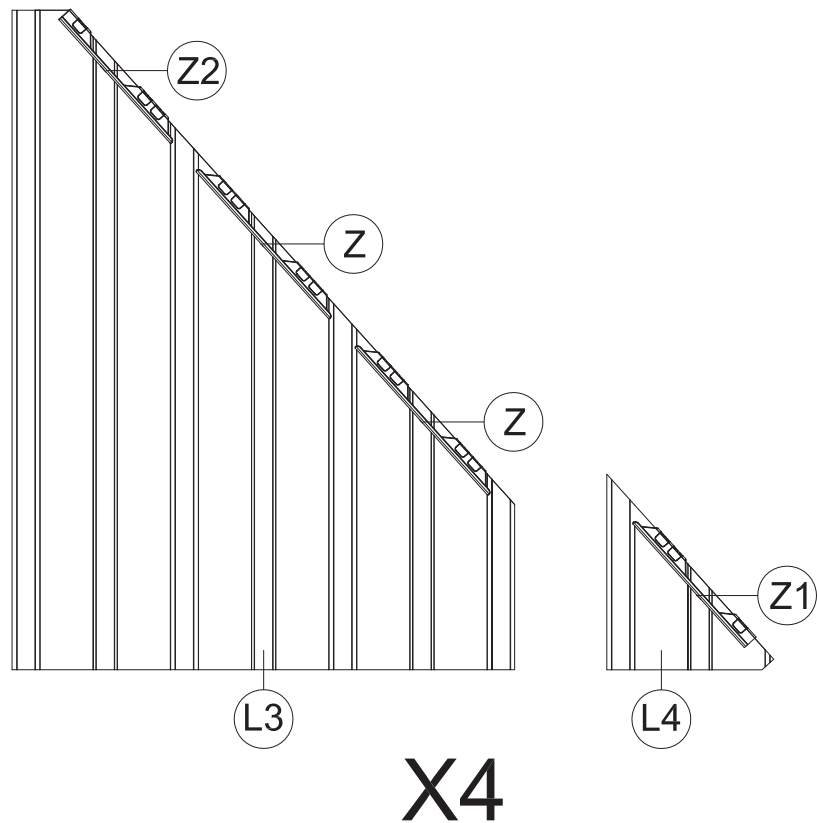
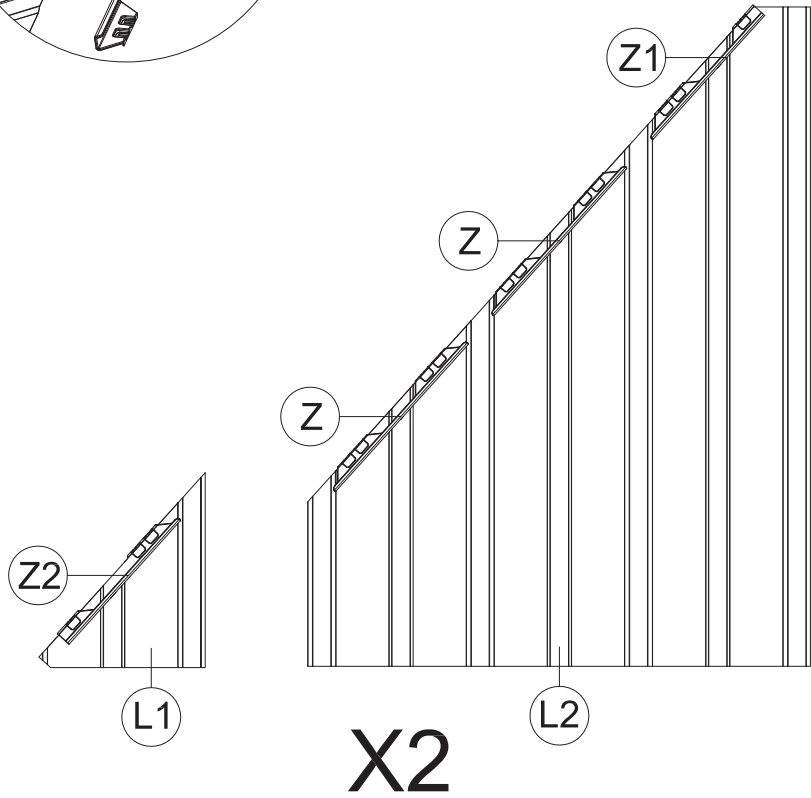
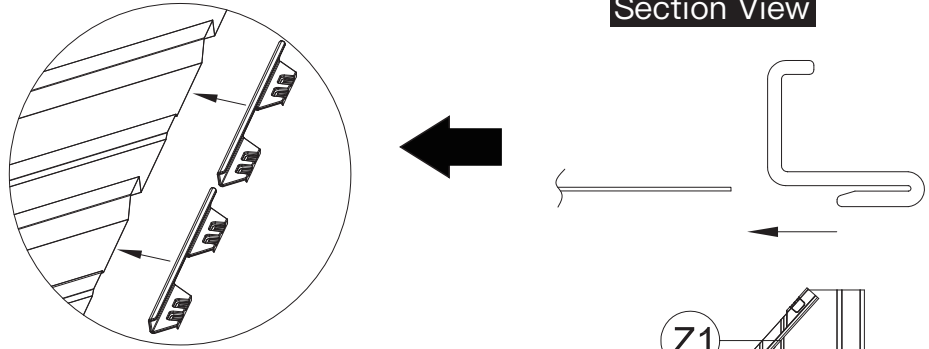


(2) Repeat the above procedures to assemble the other 3 corners.

# Cover Part #Z, #Z1 & #Z2 to Roof Panels.

-  **L1** 4x
-  **L2** 4x
-  **L3** 4x
-  **L4** 4x
-  **Z** 16x
-  **Z1** 8x
-  **Z2** 8x

**Section View**

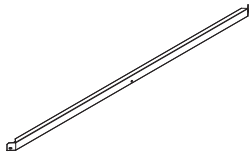


**21**

**X4**



**ATTENTION:** The bigger roof panel need to cover the smaller one.



**H** 4x

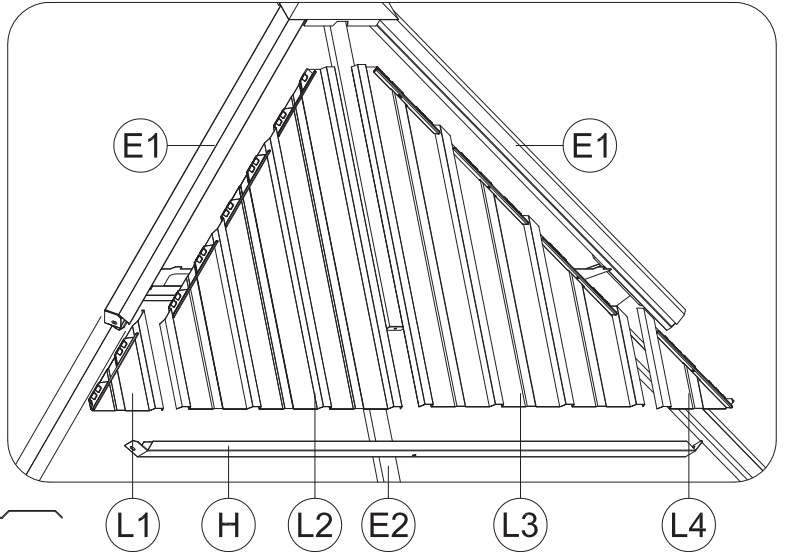
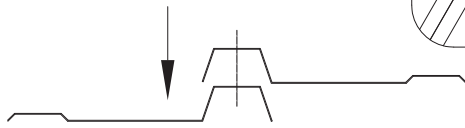
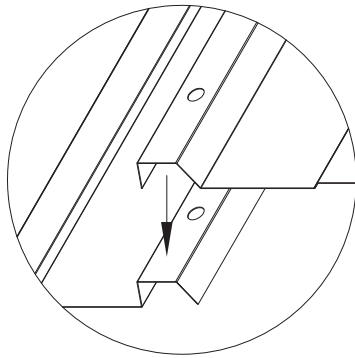


**1** 1x



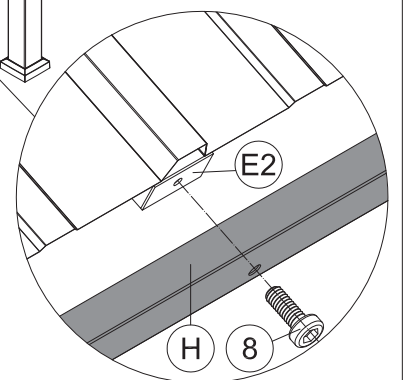
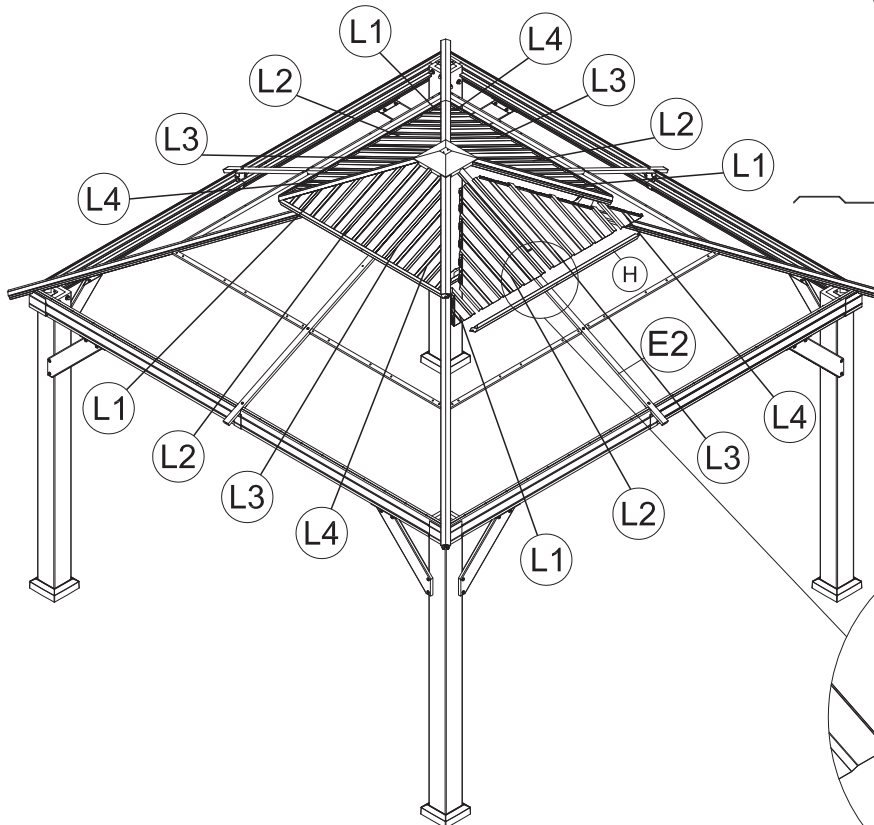
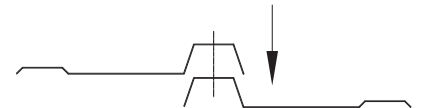
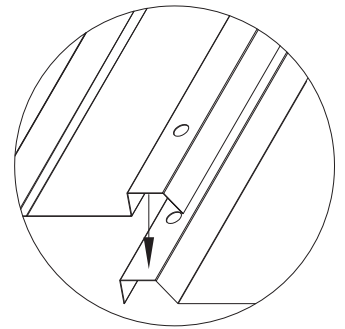
M6x16

**8** 4x



(1) Insert Part #L1 and Part #L2 into the frame.

(2) Insert Part #L3 and Part #L4 into the frame.



(3) Attach Part #H to Part #E2, securing with Bolt #8.

(4) Repeat the above procedures to assemble the other 3 sides.



X3 4x



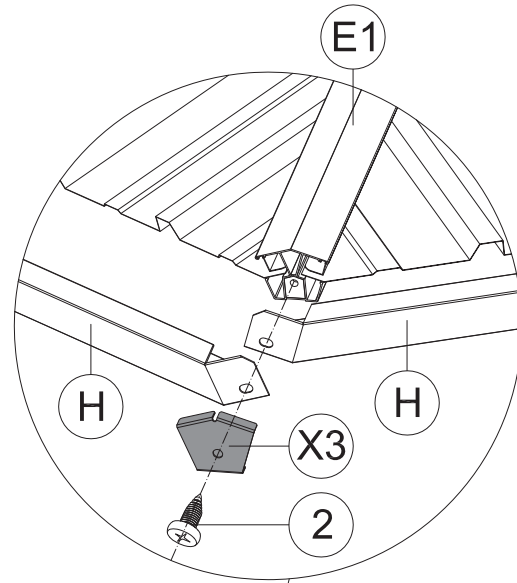
1 1x



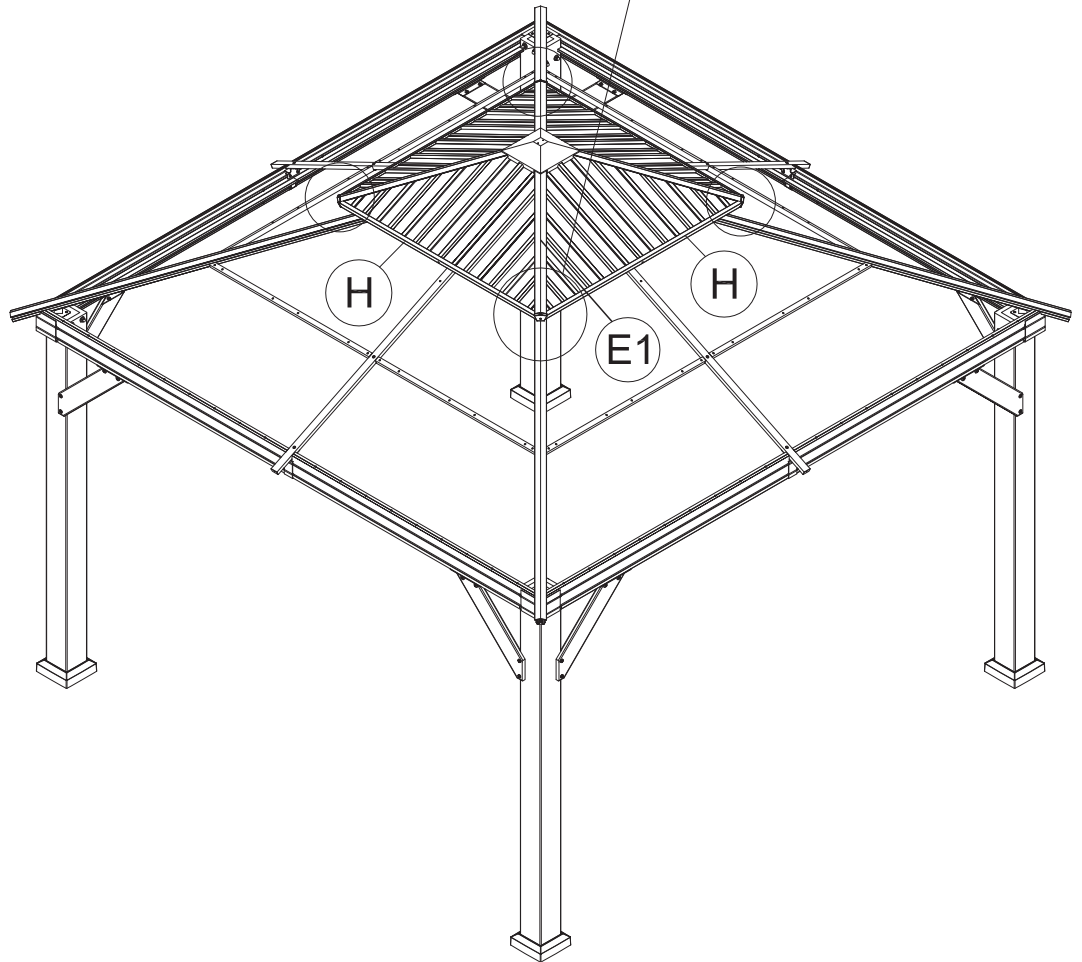
ST6.3x15

2 4x

(1) Place 2 Part #H on Part #E1;  
put on Part #X3 and secure with Self-tapping Screw #2.


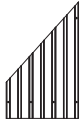
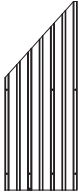
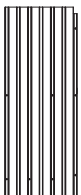
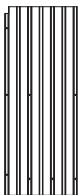
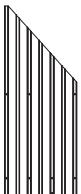
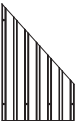




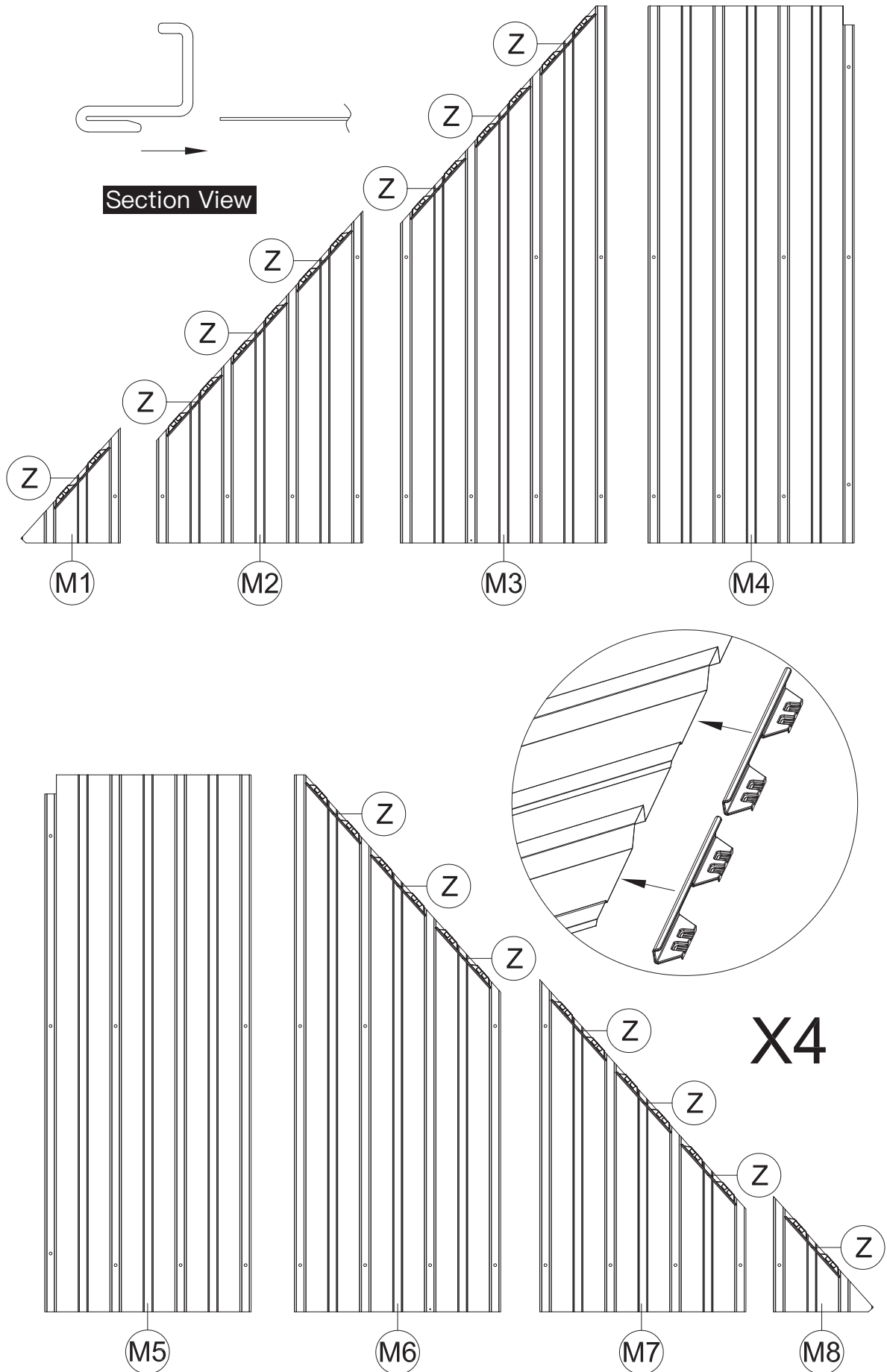
Outside View



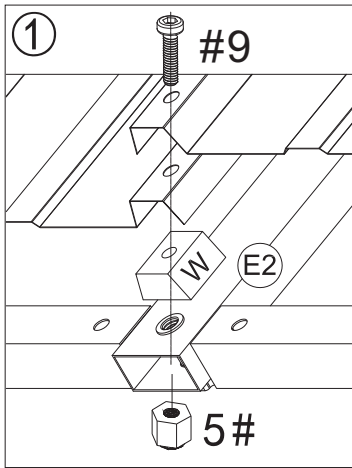
(2) Repeat the above procedures to assemble the other 3 corners.

# Cover Part #Z to Roof Panels

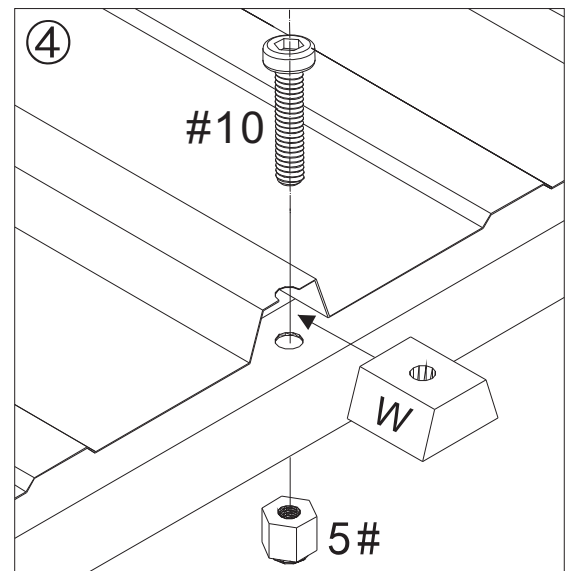
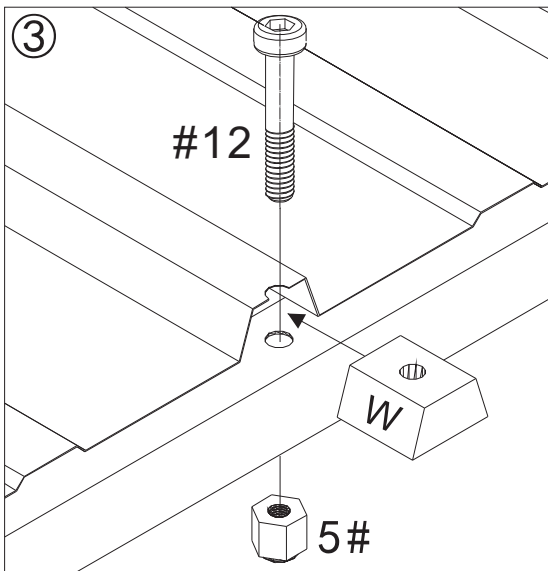
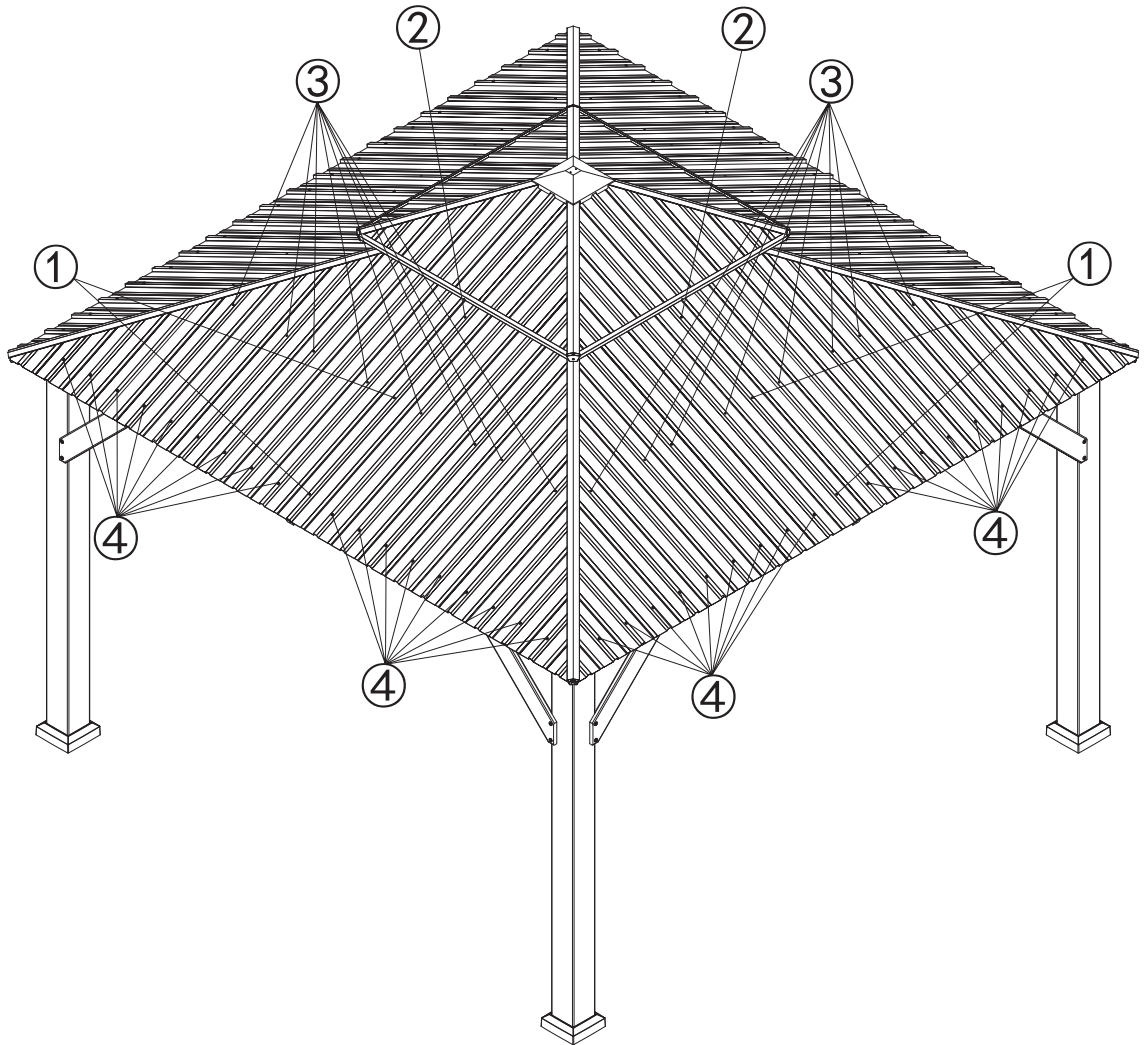
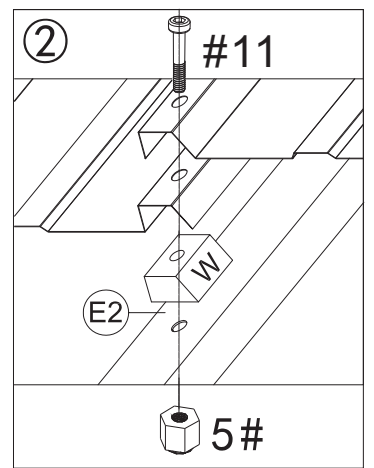
-  (M1) 4x
-  (M2) 4x
-  (M3) 4x
-  (M4) 4x
-  (M5) 4x
-  (M6) 4x
-  (M7) 4x
-  (M8) 4x
-  (Z) 56x

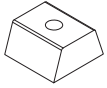


X4



▲ Part #W should be inserted between roof panels and solidifying bar or beams, then secure with bolts and nuts.





W 12x



1 1x



M6

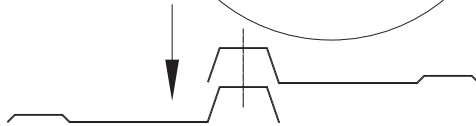
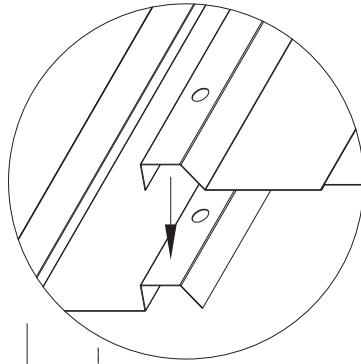
5 12x



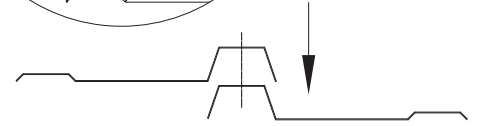
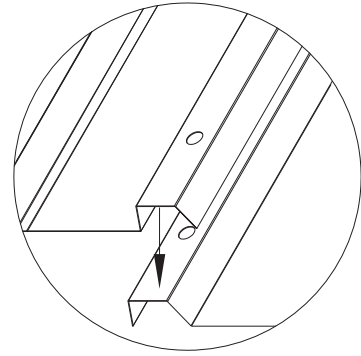
M6x28

10 12x

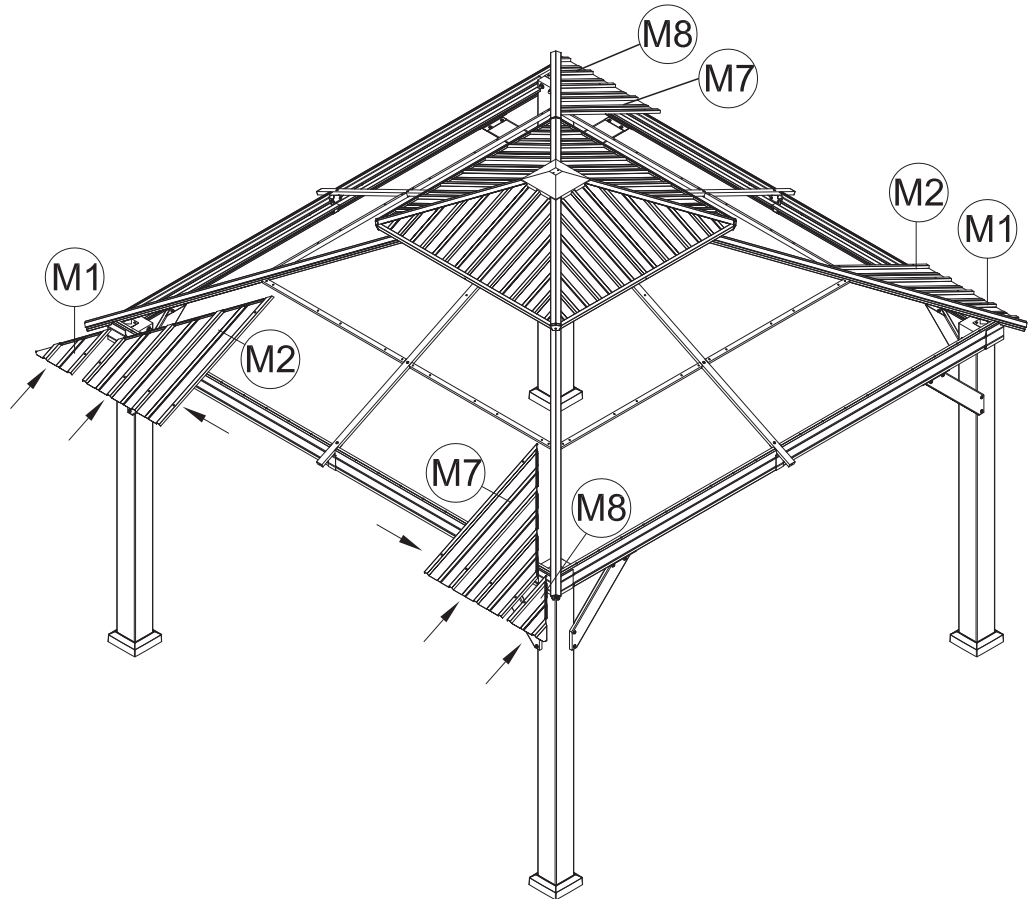
**ATTENTION:** The bigger roof panel need to cover the smaller one.



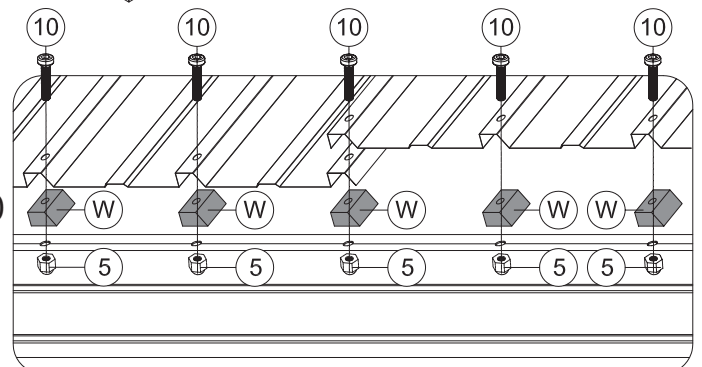
(1) Insert Part #M1 and Part #M2 into the frame.



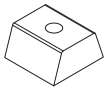
(2) Insert Part #M8 and Part #M7 into the frame.



(3) Place 6 Part #W between roof panels and beams. Then secure with 6 Bolts #10 and 6 Nuts #5.



(4) Repeat the above procedures to assemble the opposite side.



W 20x



1 1x



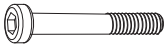
M6

5 20x



M6x28

10 12x

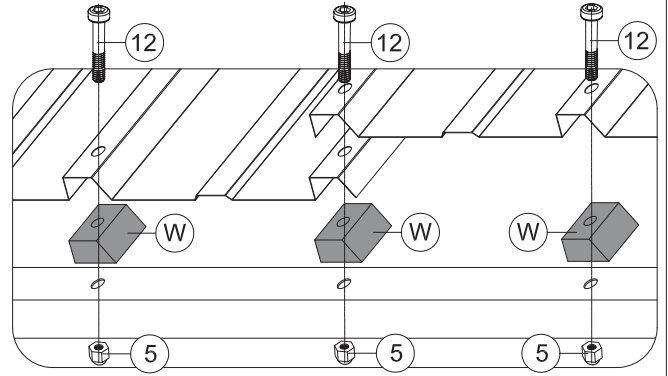
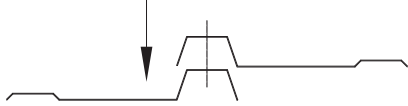


M6x50

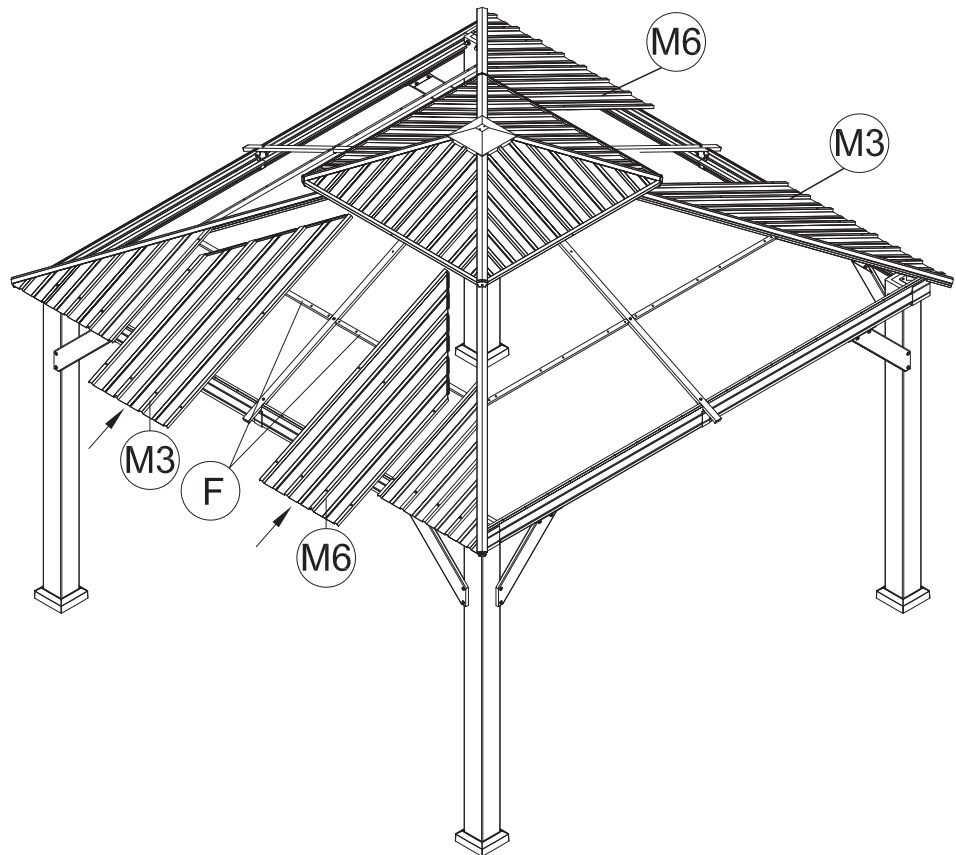
12 8x

**ATTENTION:** The bigger roof panel need to cover the smaller one.

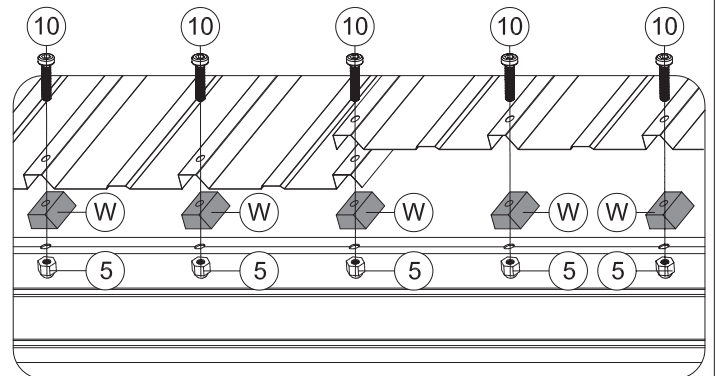
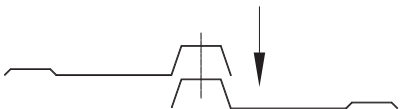
(1) Insert Part #M3 into the frame.



(3) Place 4 Part #W between roof panels and solidifying bars. Then secure with 4 Bolts #12 and 4 Nuts #5.

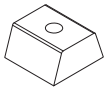


(2) Insert Part #M6 into the frame.



(4) Place 6 Part #W between roof panels and beams. Then secure with 6 Bolts #10 and 6 Nuts #5.

(5) Repeat the above procedures to assemble the opposite side.



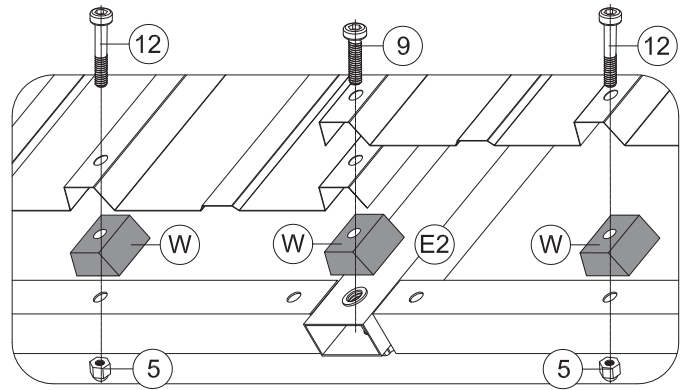
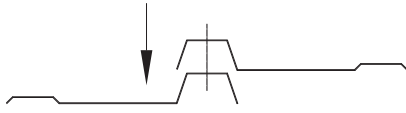
W 24x



1 1x

**ATTENTION:** The bigger roof panel need to cover the smaller one.

(1) Insert Part #M4 into the frame.



M6

5 20x

(3) Place 4 Part #W between roof panels and solidifying bars. Then secure with 4 Bolts #12 and 4 Nuts #5; Place 1 Part #W between roof panels and Part #E2. Then secure with 1 Bolt #9 and 1 Nut #5.



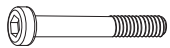
M6x25

9 4x



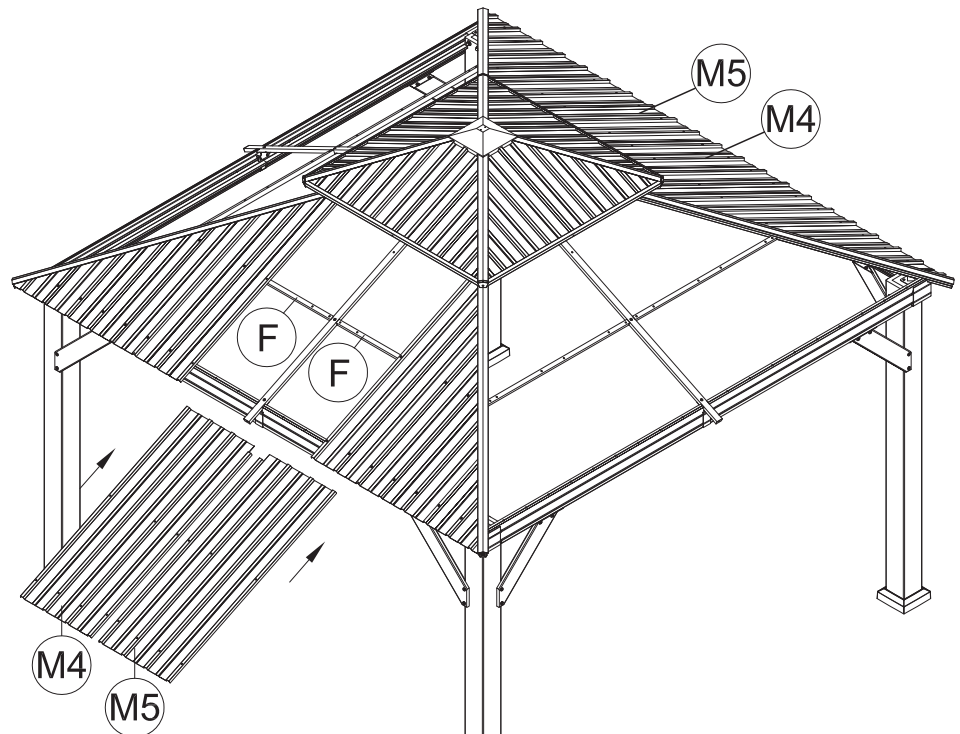
M6x28

10 12x

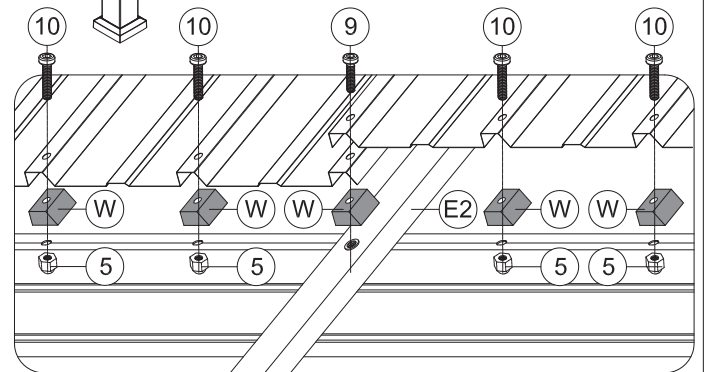


M6x50

12 8x

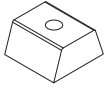


(2) Insert Part #M5 into the frame.



(4) Place 6 Part #W between roof panels and beams. Then secure with 6 Bolts #10 and 6 Nuts #5; Place 1 Part #W between roof panels and Part #E2. Then secure with 1 Bolt #9 and 1 Nut #5.

(5) Repeat the above procedures to assemble the opposite side.



W 12x



1 1x



M6

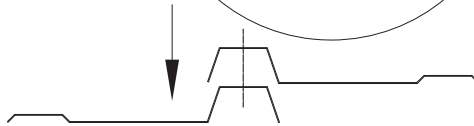
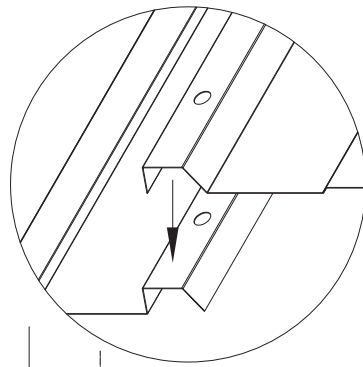
5 12x



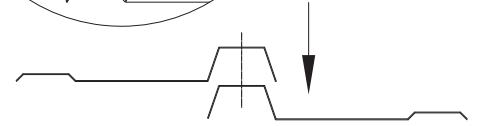
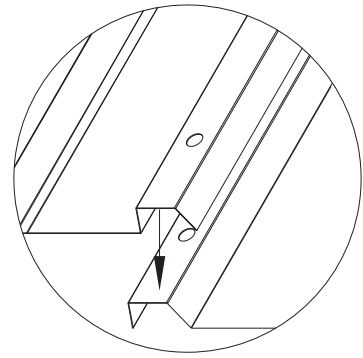
M6x28

10 12x

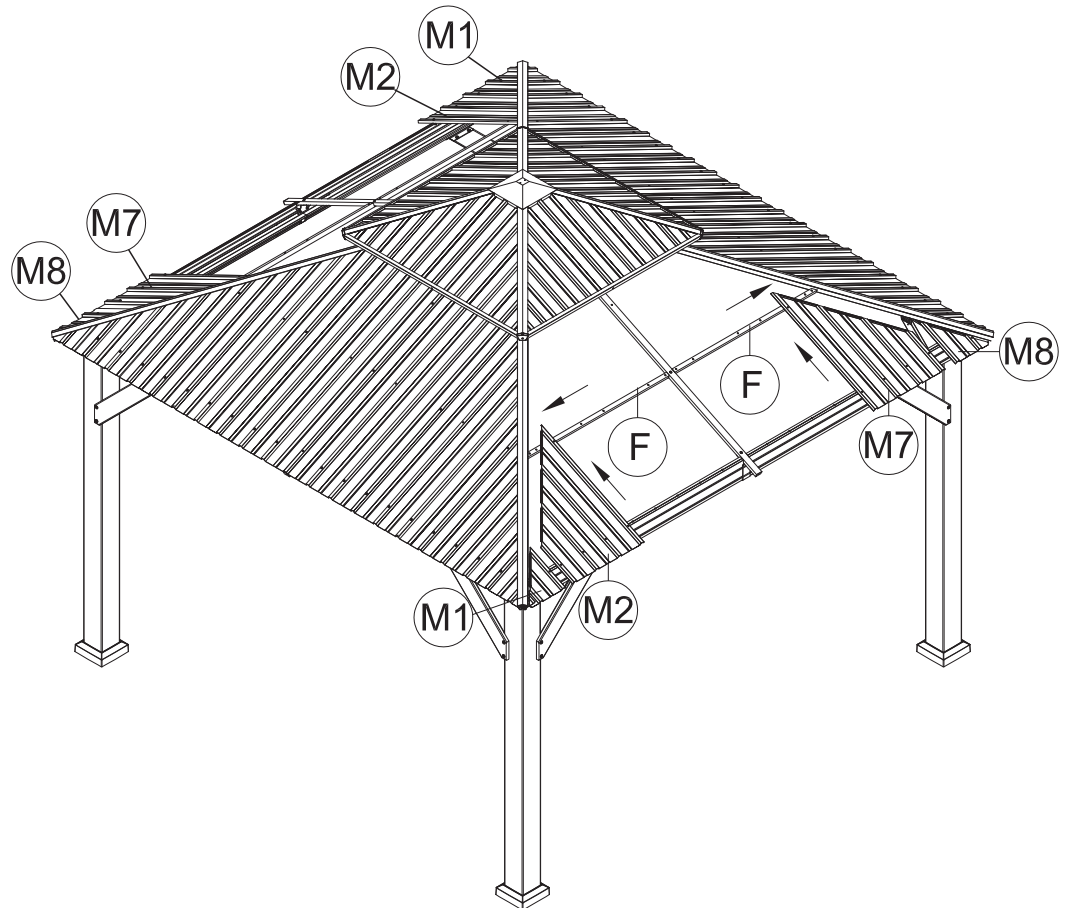
**ATTENTION:** The bigger roof panel need to cover the smaller one.



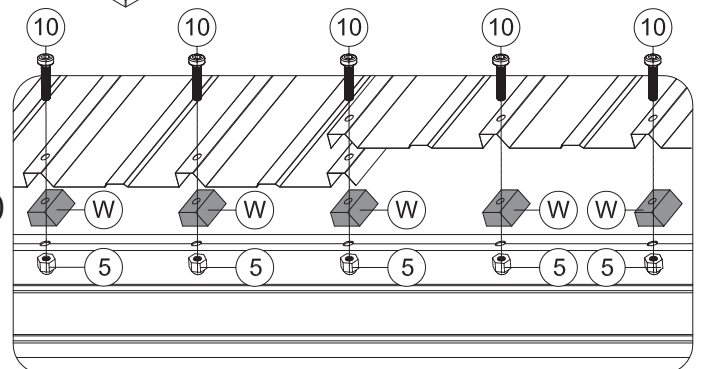
(1) Insert Part #M1 and Part #M2 into the frame.



(2) Insert Part #M8 and Part #M7 into the frame.

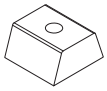


(3) Place 6 Part #W between roof panels and beams. Then secure with 6 Bolts #10 and 6 Nuts #5.

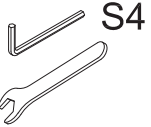


(4) Repeat the above procedures to assemble the opposite side.





(W) 20x



(1) 1x



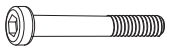
M6

(5) 20x



M6x28

(10) 12x

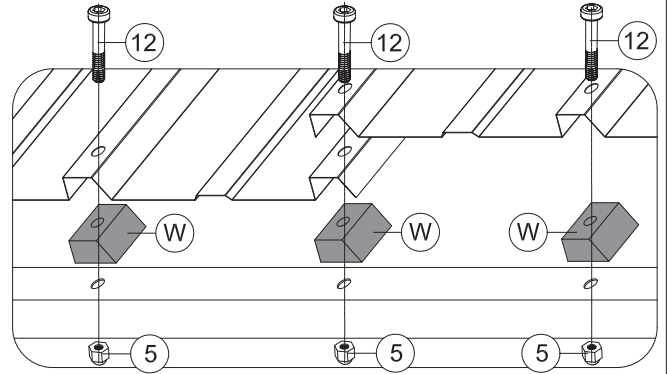
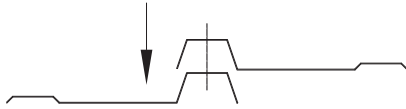


M6x50

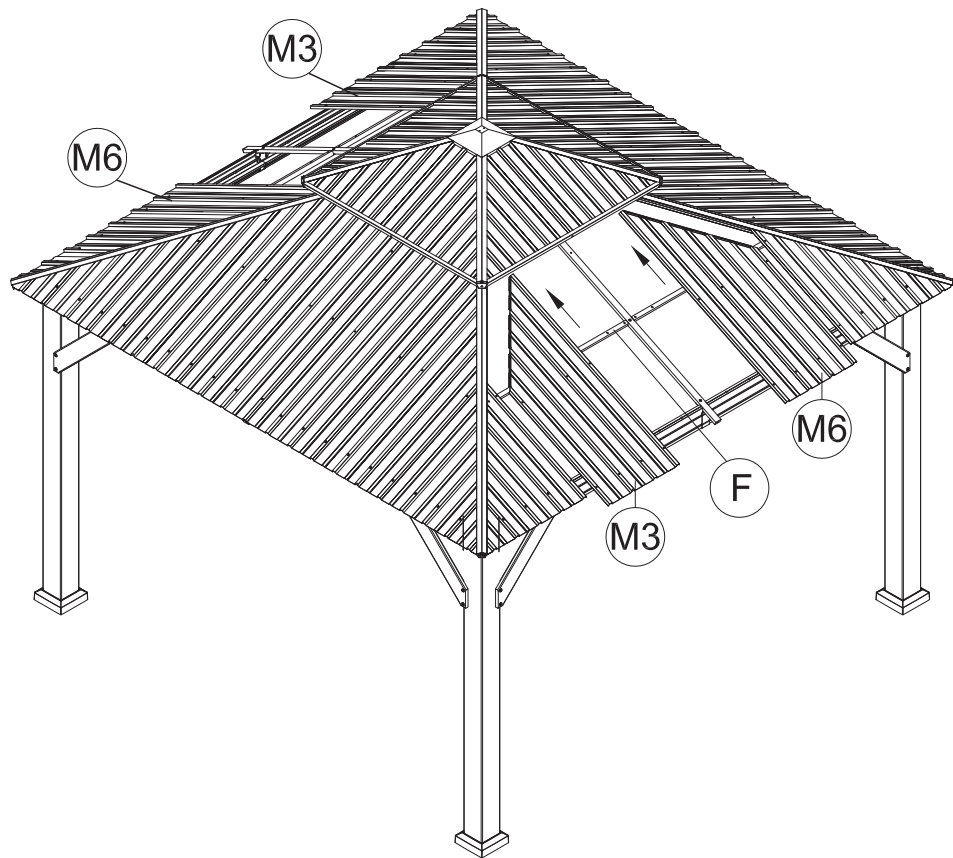
(12) 8x

**ATTENTION: The bigger roof panel need to cover the smaller one.**

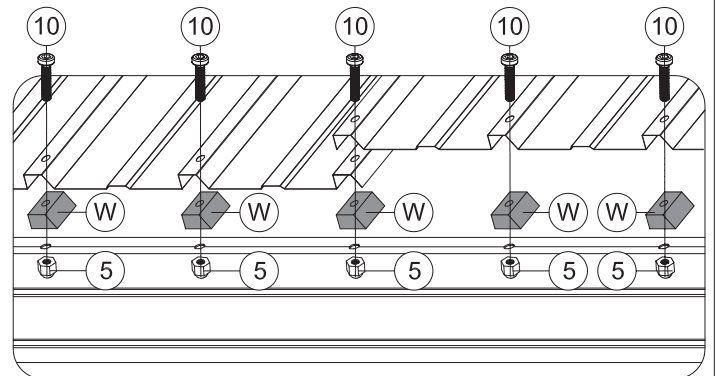
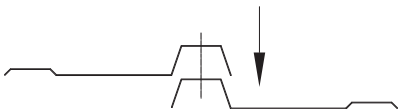
(1) Insert Part #M3 into the frame.



(3) Place 4 Part #W between roof panels and solidifying bars. Then secure with 4 Bolts #12 and 4 Nuts #5.

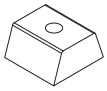


(2) Insert Part #M6 into the frame.



(4) Place 6 Part #W between roof panels and beams. Then secure with 6 Bolts #10 and 6 Nuts #5.

(5) Repeat the above procedures to assemble the opposite side.



W 24x

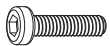


1 1x



M6

5 20x



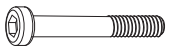
M6x25

9 4x



M6x28

10 12x

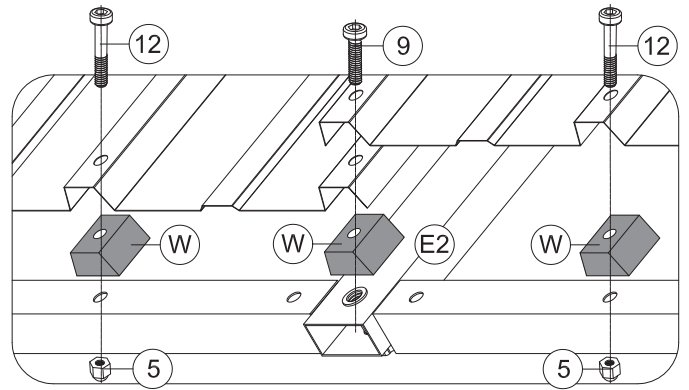


M6x50

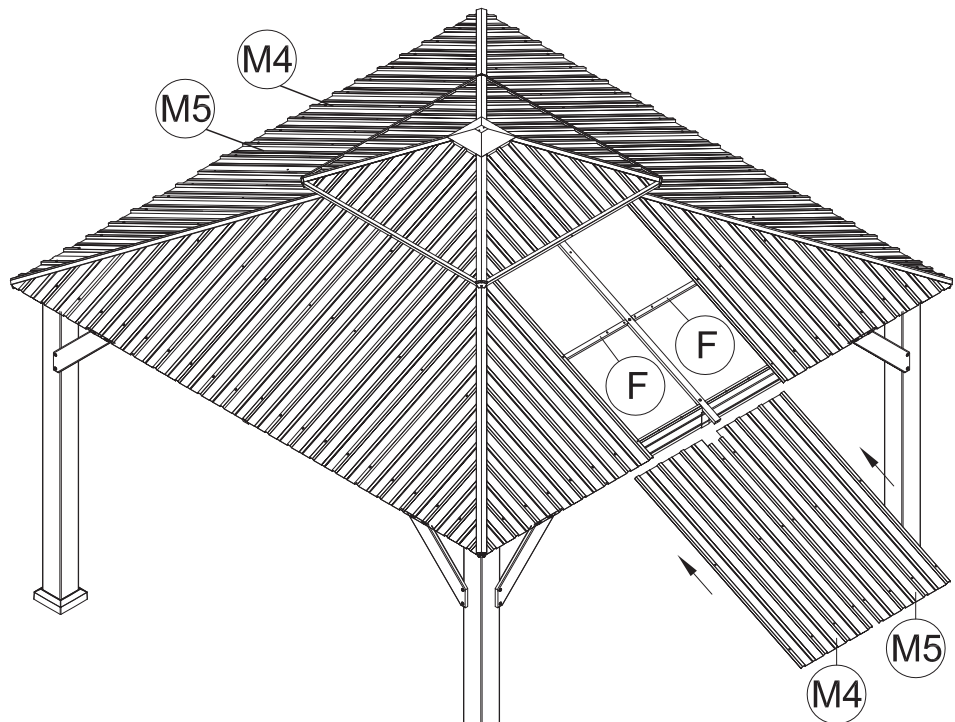
12 8x

**ATTENTION:** The bigger roof panel need to cover the smaller one.

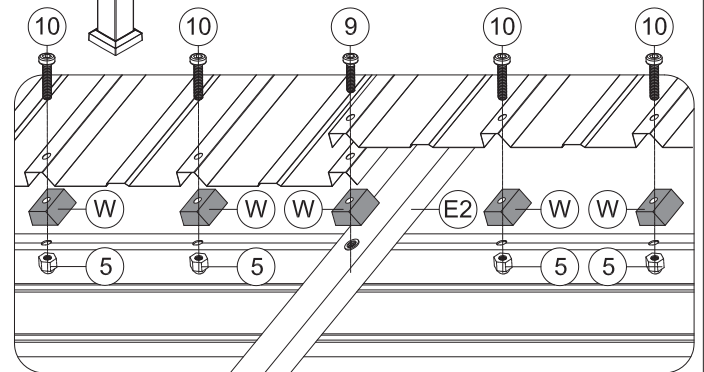
(1) Insert Part #M4 into the frame.



(3) Place 4 Part #W between roof panels and solidifying bars. Then secure with 4 Bolts #12 and 4 Nuts #5; Place 1 Part #W between roof panels and Part #E2. Then secure with 1 Bolt #9 and 1 Nut #5.

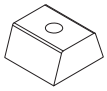


(2) Insert Part #M5 into the frame.

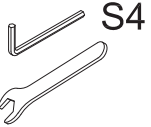


(4) Place 6 Part #W between roof panels and beams. Then secure with 6 Bolts #10 and 6 Nuts #5; Place 1 Part #W between roof panels and Part #E2. Then secure with 1 Bolt #9 and 1 Nut #5.

(5) Repeat the above procedures to assemble the opposite side.



W 4x

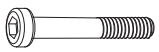


1 1x



M6

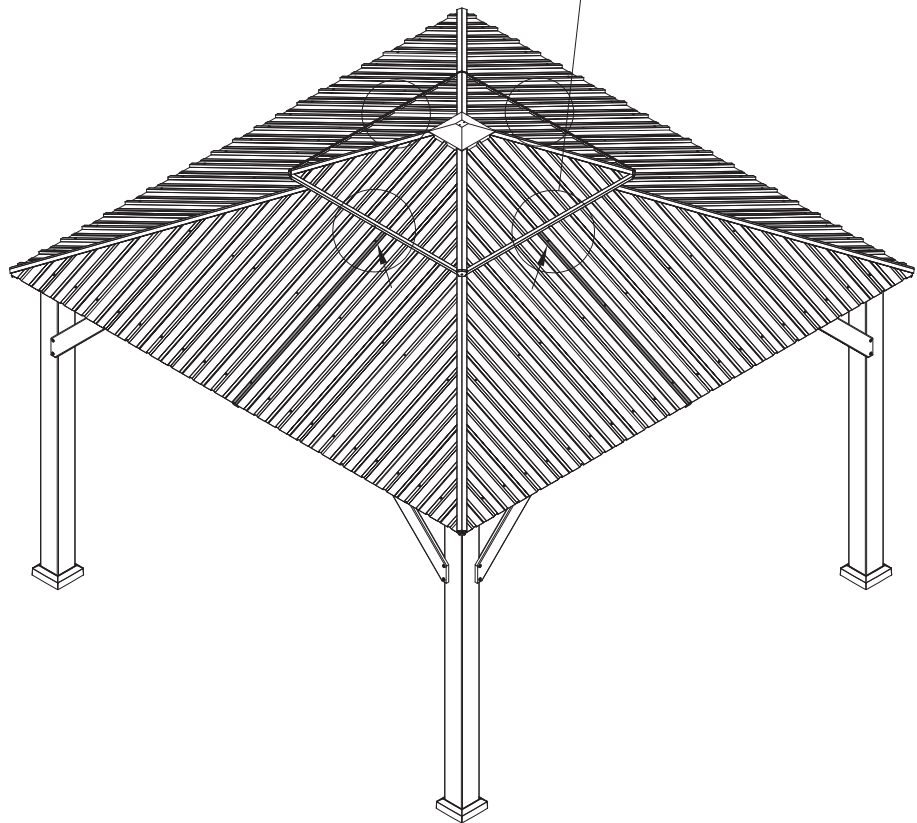
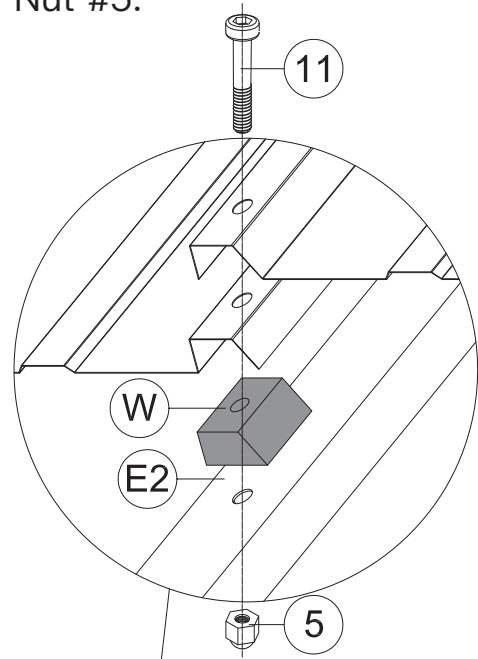
5 4x



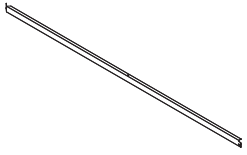
M6x45

11 4x

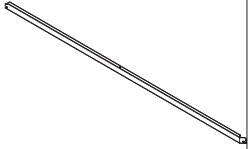
(1) Place Part #W between roof panels and Part #E2.  
Then secure with Bolt #11 and Nut #5.



(2) Repeat the above procedures to assemble the other 3 sides.



(K) 4x



(K1) 4x



(X2) 4x



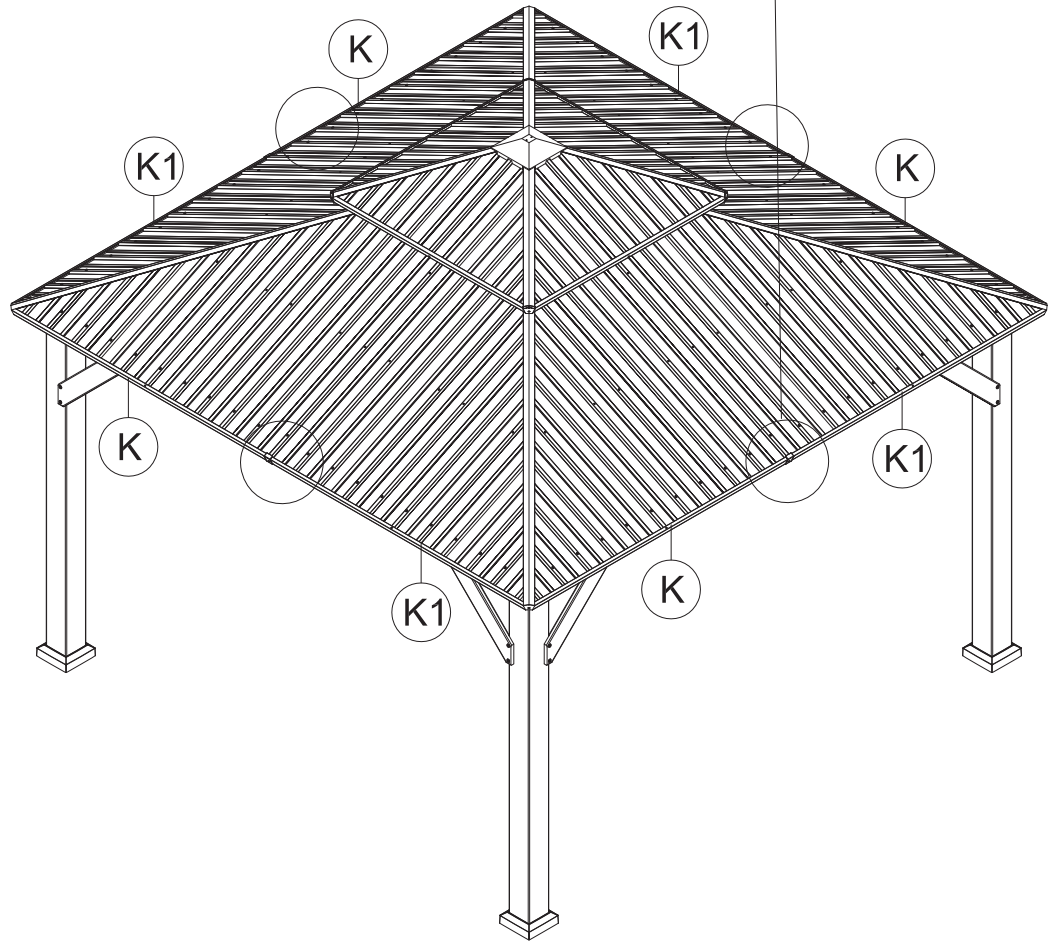
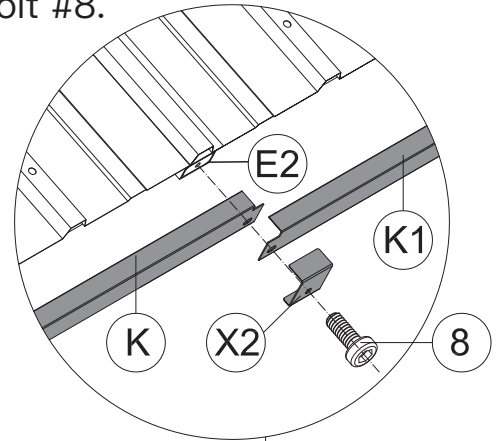
(1) 1x



M6x16

(8) 4x

(1) Place Part #K and Part #K1 on Part #E2;  
Put on Part #X2 and secure with Bolt #8.



(2) Repeat the above procedures to assemble the other 3 sides.

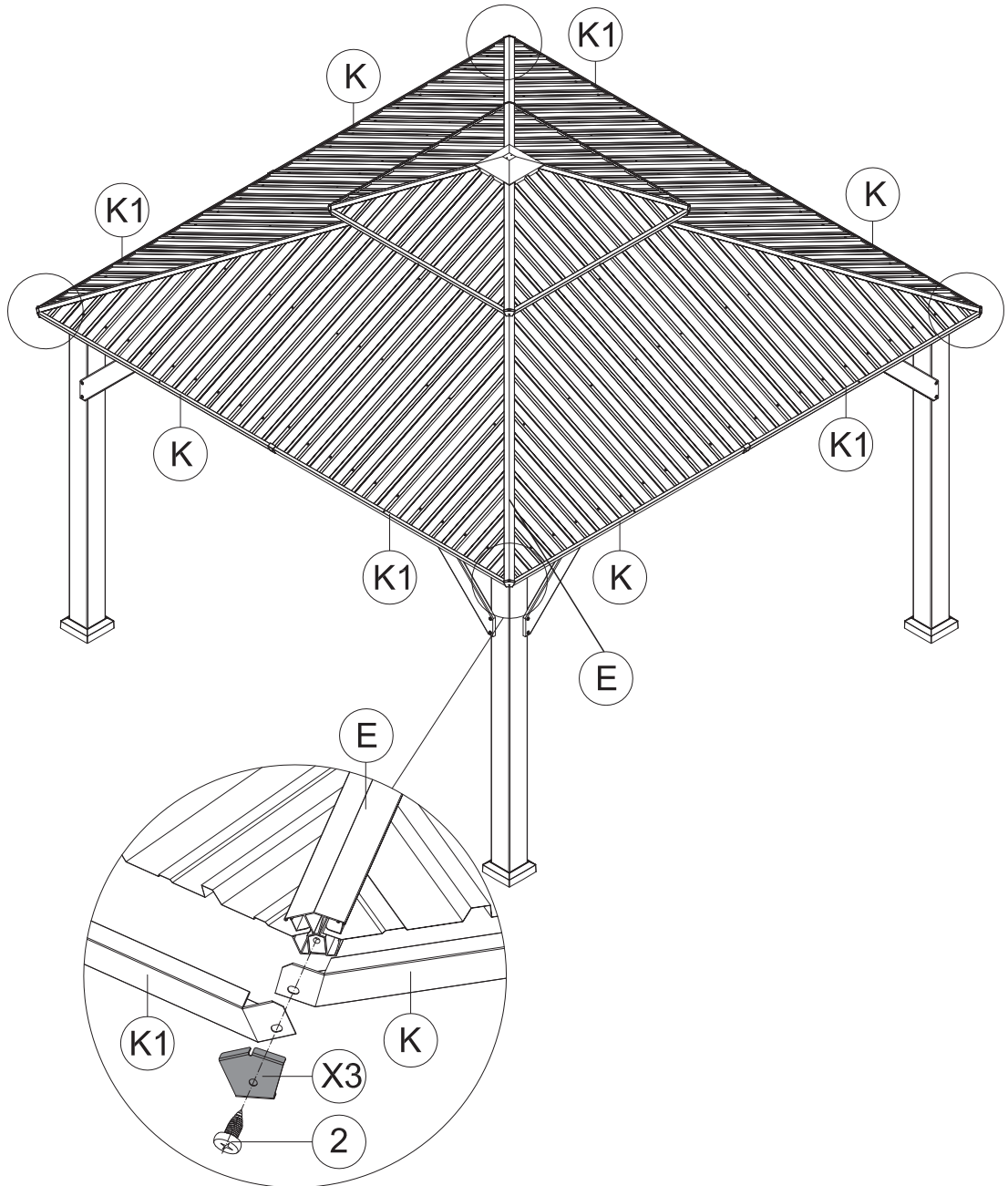


X3 4x



ST6.3x15

2 4x



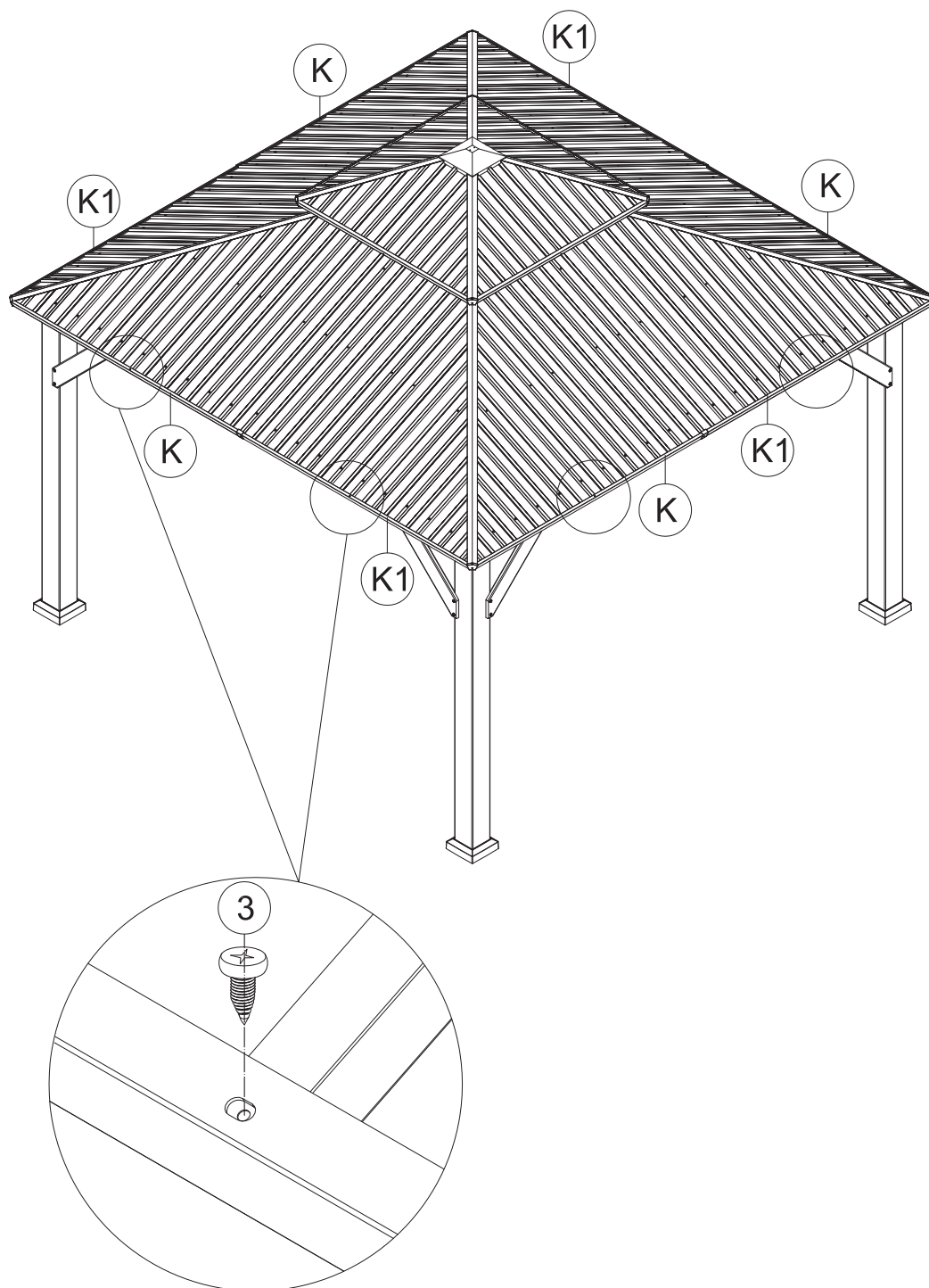
(1) Place Part #K1 and Part #K on Part #E;  
Put on Part #X3 and secure with Self-tapping Screw #2.

(2) Repeat the above procedures to assemble the other 3 corners.



ST5x16

3 8x

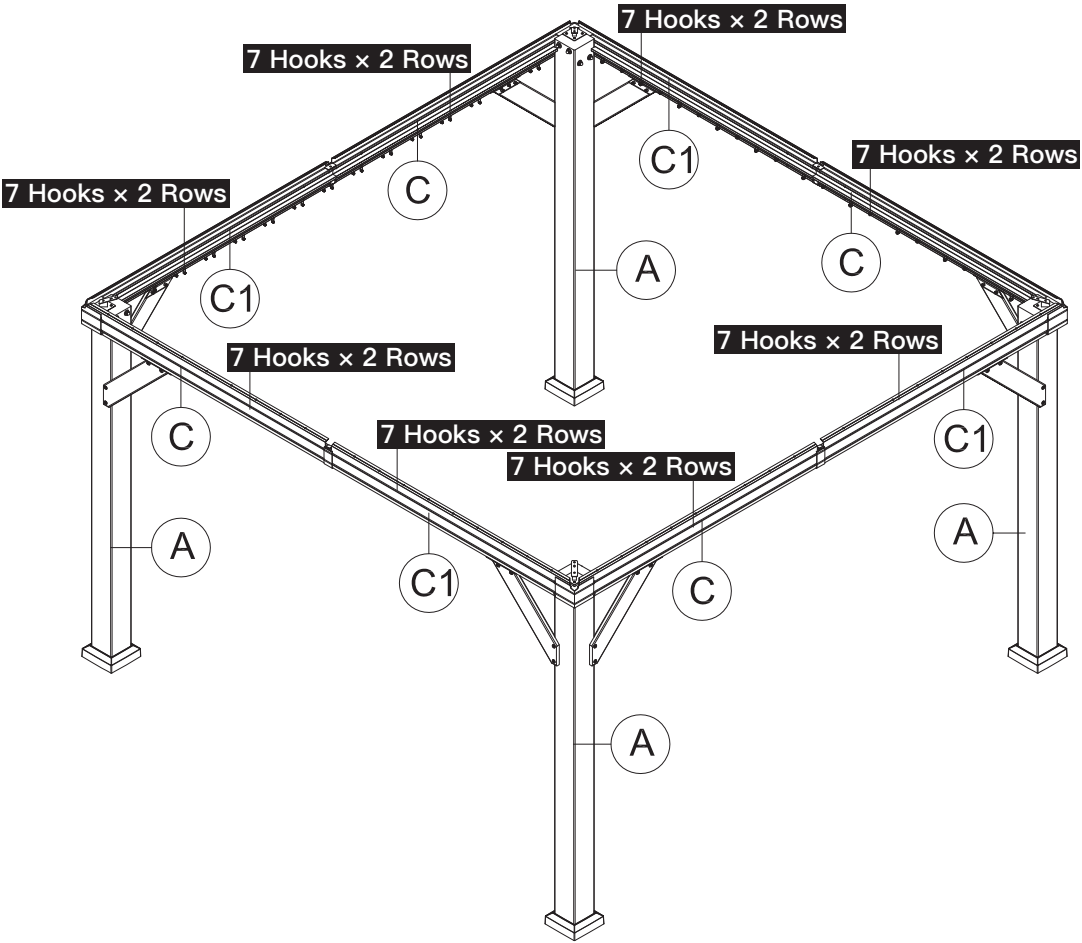
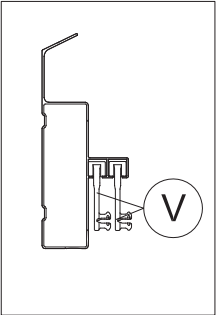


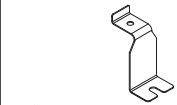
(1) Attach roof panels to finishing bars with 2 Self-tapping Screws #3.

(2) Repeat the above procedures to assemble the other 3 sides.

# How to Put the 112 Hooks into the **Double-track**

## Double-track





T1 4x



V 112x



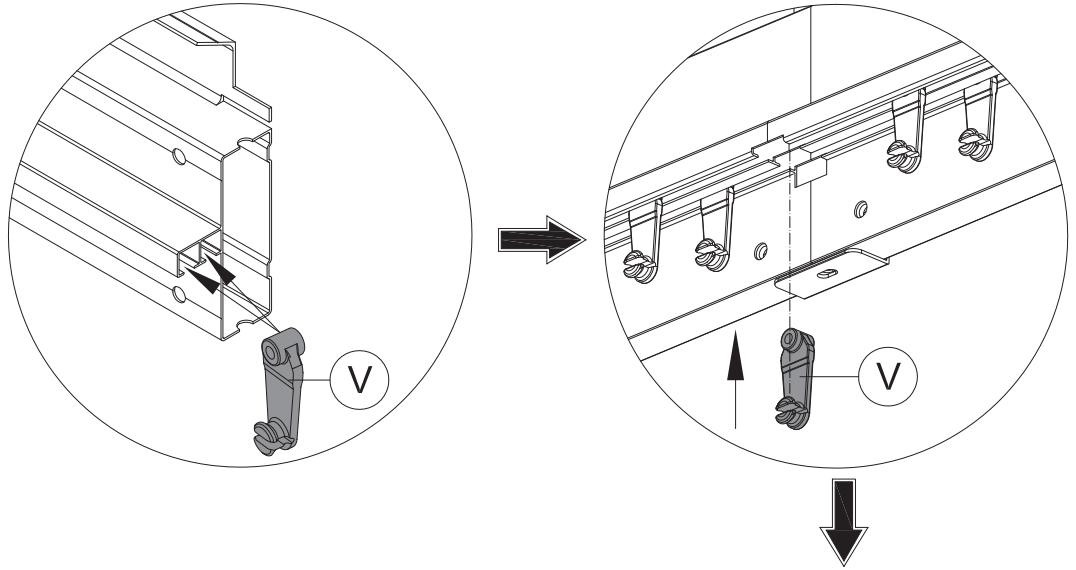
1 1x



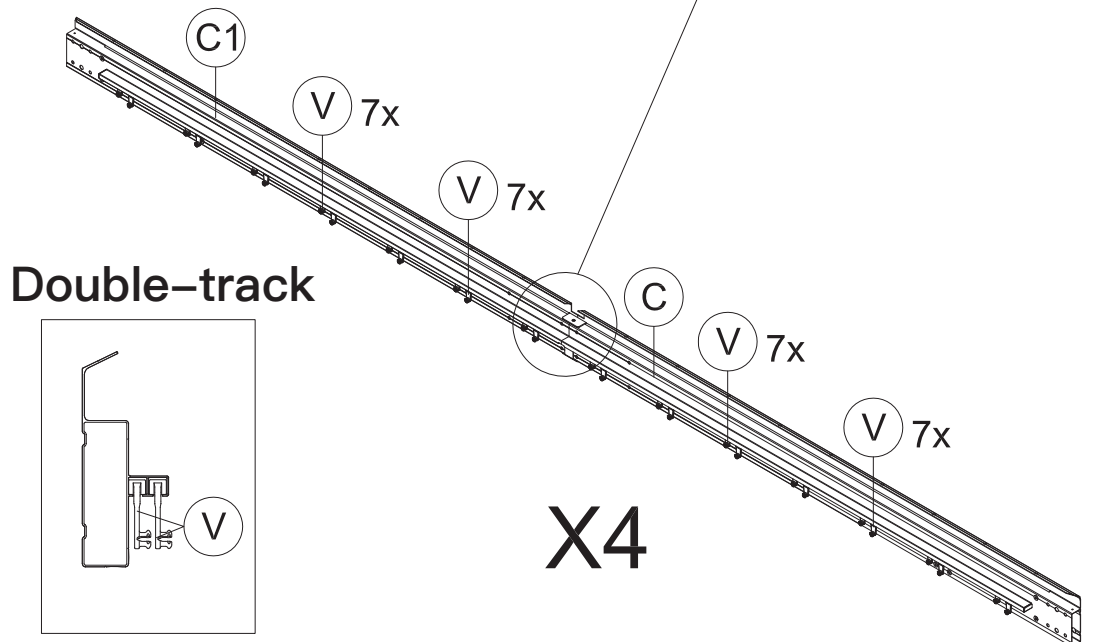
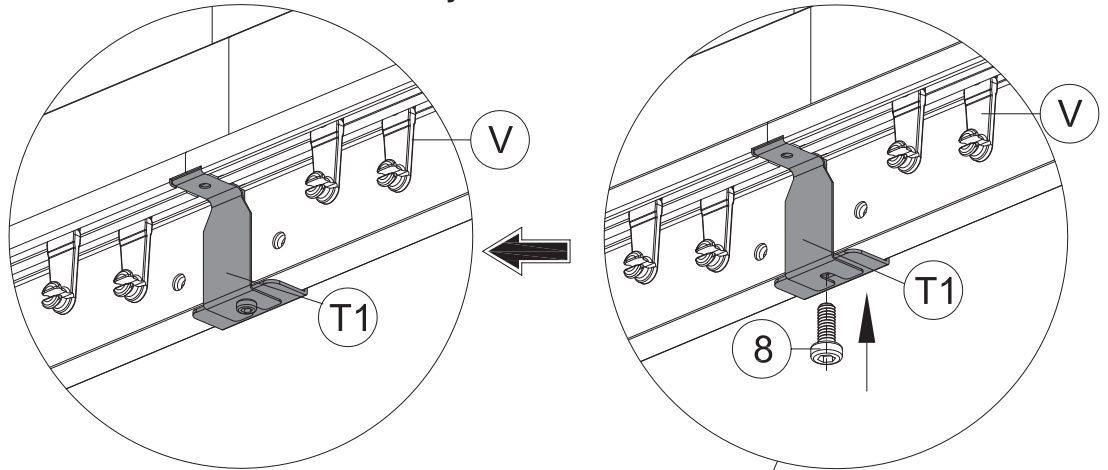
M6x16

8 4x

(1) Place 7 hooks on each slot of the Sidewall Track(C1&C).

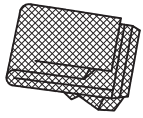


(2) Install Part #T1 at the joint of Part C&C1 with Bolt #8.



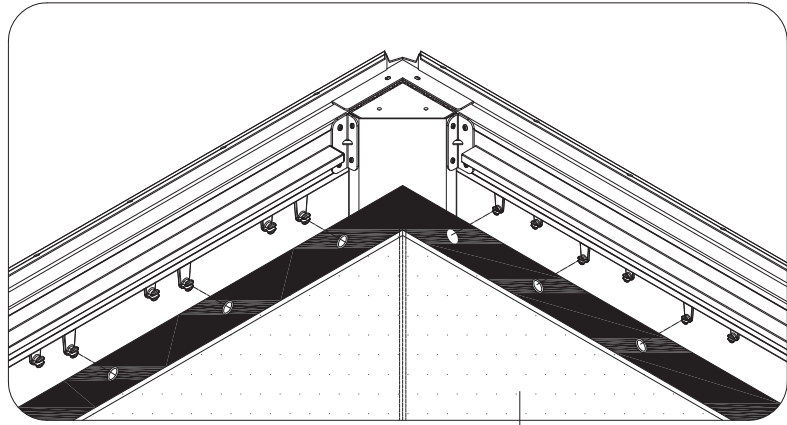
(3) Repeat the above procedures to assemble 4 sides.



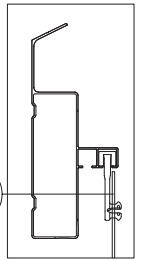


Y1 4x

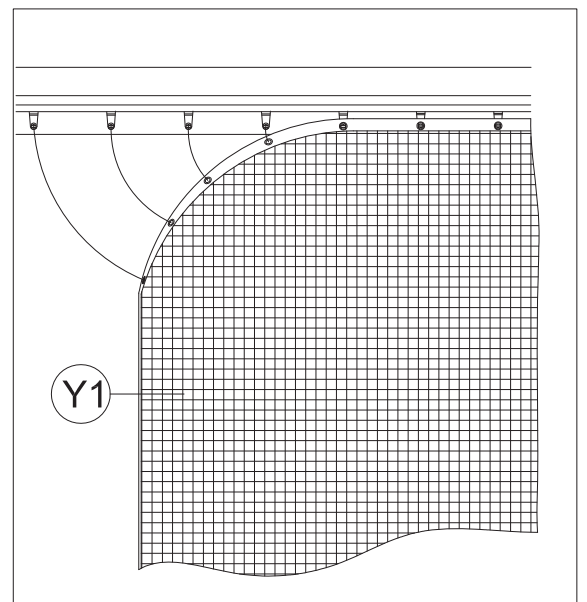
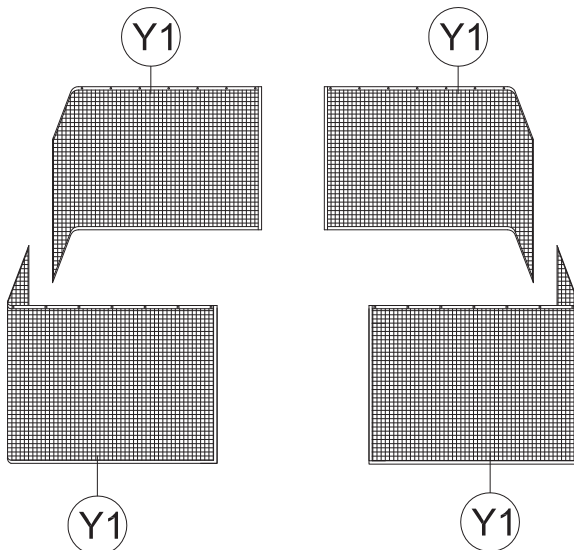
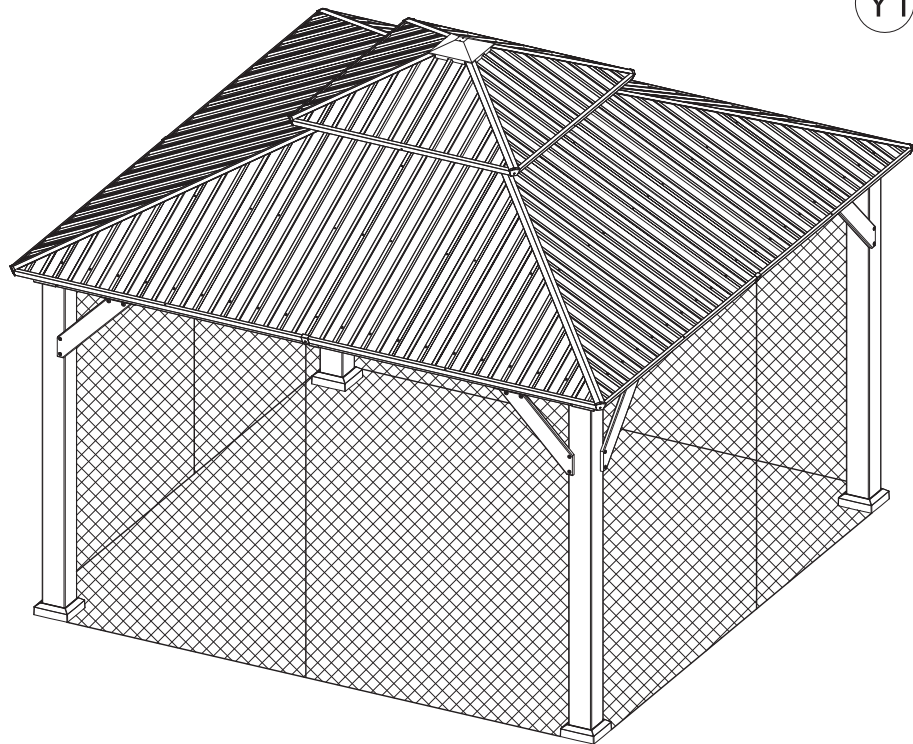
# Hang up Mosquito Sidewalls to **Inside Track**

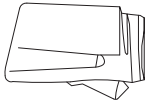


Y1



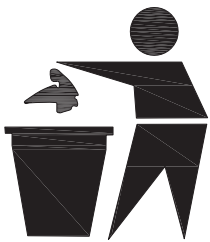
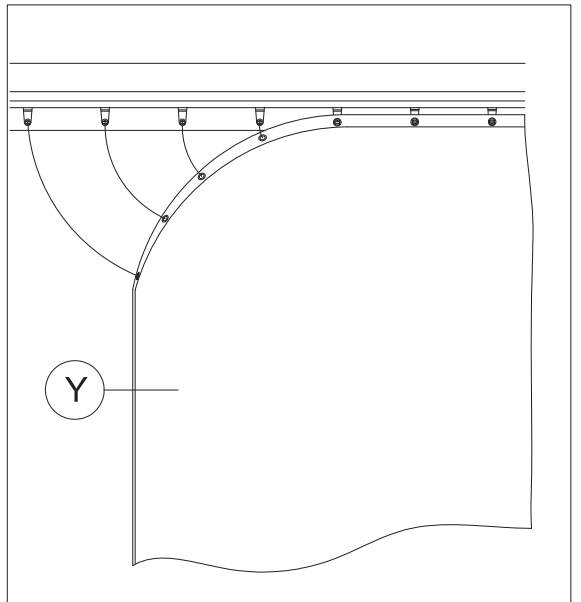
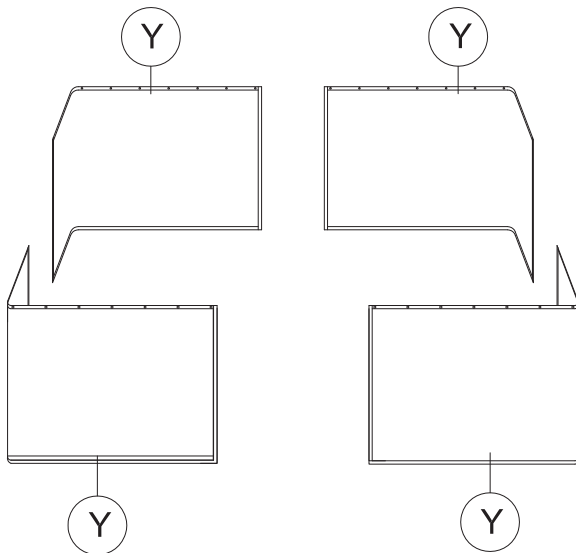
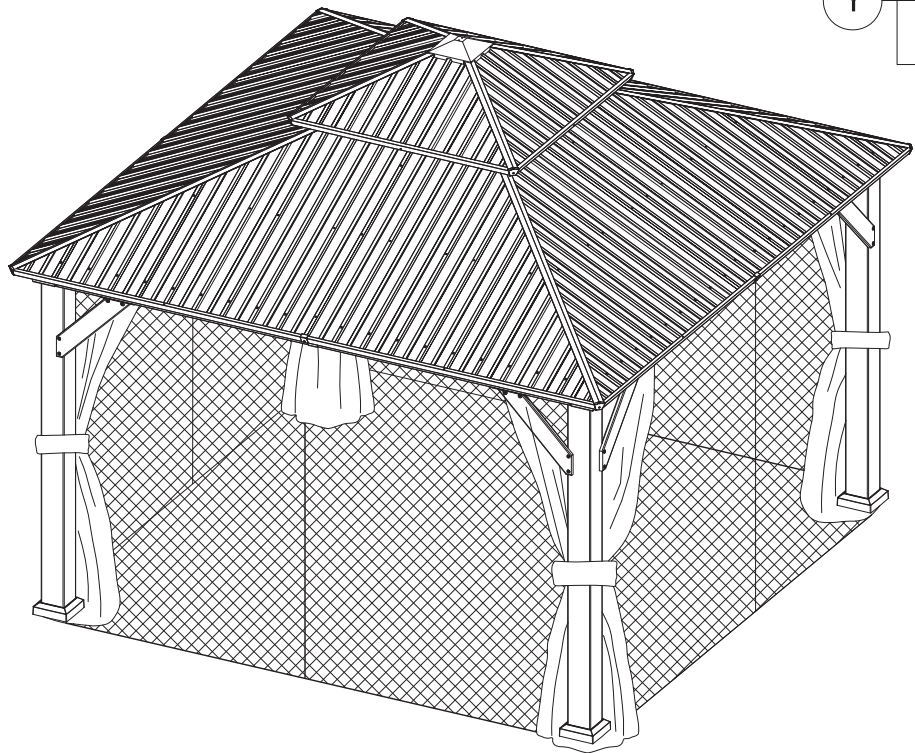
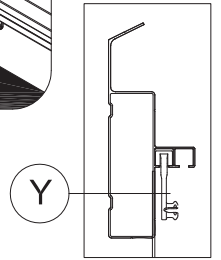
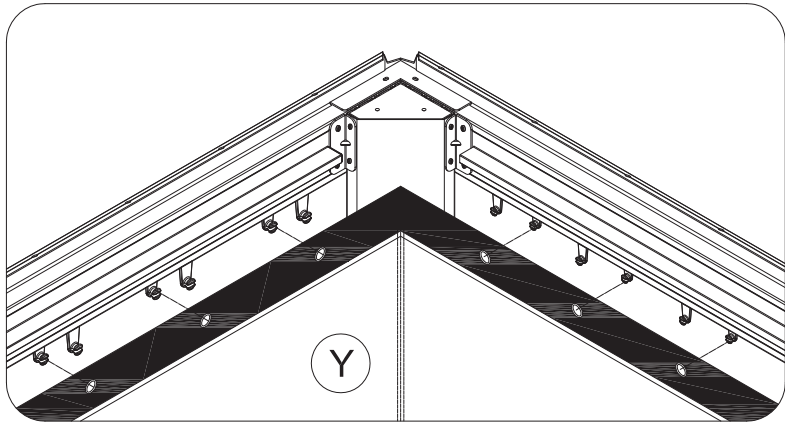
Y1





Y 4x

# Hang up Solid Sidewalls to **Outside Track**





RESORT COMFORT IN YONR  
OWN BACKYARD

## Thanks for your purchase.

At domi outdoor living, we believe in our products.

That's why we provide a 12-month warranty and

friendly, easy-to-reach after-sales service. So if you

have any questions about our product and assembly-

, please feel free to contact us. We will be here for you.

**Support:**  

email: [service@domioutdoorliving.com](mailto:service@domioutdoorliving.com)

Please tell us your order ID when contact.

Attach photos of damaged part for instant reply.