



12' × 20' LOUVERED PERGOLA
WITH ALUMINUM ROOF

ASSEMBLY MANUAL



Missing part? Damaged? Contact us via email at
service@domioutdoorliving.com

READ ALL INSTRUCTIONS BEFORE USE

Warning & Attention

-This gazebo is not a toy. Children are not allowed to assemble or disassemble. Please take care of children, do not let them play around when assemble or disassemble.

-Adults only for assemble or disassemble this product.

-This product is constructed with heavy duty frame, please do not lean or climb before it finish assembling.

-Even though our hardtop gazebo is sturdy, please do not stand under the gazebo during a lightning storm.

-DO NOT use this gazebo if any parts show signs of instability or damage.



Three or more people are needed for assembly.



Find out and use the hex keys in the box.



One or more ladders are necessary.



A Phillips screwdriver is required.



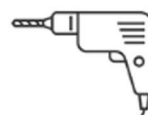
Please wear protective glove before assembly.



Please don't fully tighten the screws prior to complete assembly.



Please wear a safety hat.



You may need prepare a drill.

			B (x1)
			B1 (x1)
			B2 (x1)
			C1 (x1)
			C2 (x1)
			C3 (x1)
			C4 (x1)
			D (x64)

		E (x4)	J (x2)
--	--	--------	--------

				F (x6)	G (x1)	H (x2)	J1 (x2)
--	--	--	--	--------	--------	--------	---------

			H1 (x1)	H2 (x1)	J2 (x2)
--	--	--	---------	---------	---------

					J3 (x6)	K (x4)	K1 (x2)	L (x1)	Z (x1)
--	--	--	--	--	---------	--------	---------	--------	--------

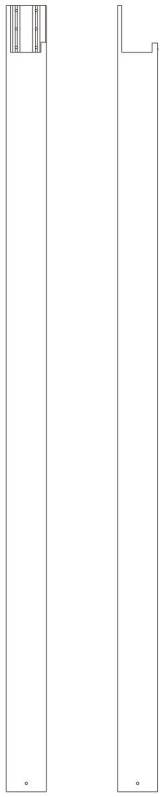
			M1 (x2)	M3 (x2)	M2 (x2)
			P (x6)		

			N1 (x2)	N3 (x2)	N2 (x2)
--	--	--	---------	---------	---------

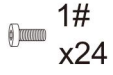
	M6x16	1# x56		M8x35	5# x4		M6x30	8# x4				
	M6x20	2# x56		ST4.2x16	6# x140		M5x30	9# x48				
	M6	3# x2		ST3.5x13	7# x2			10# x152				
	M8	4# x2		S6 x1		S4 x1		S10 x1		S13 x2		x1

Step 1:

Connect Part A, A1 and Part F with bolts 1# as shown.

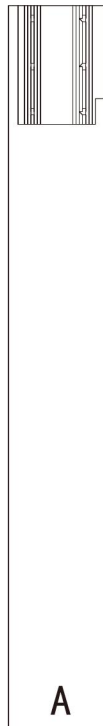


F (x6)

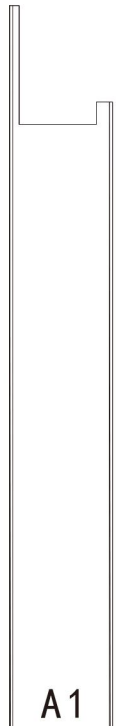


A (x4)

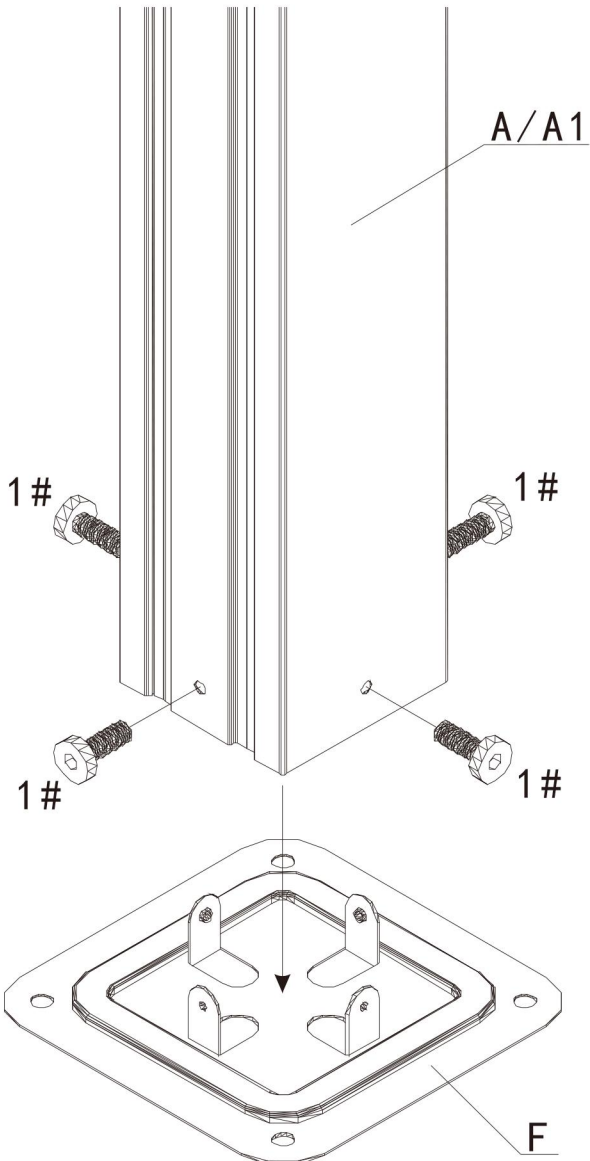
A1 (x2)



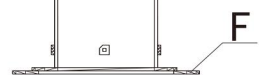
A



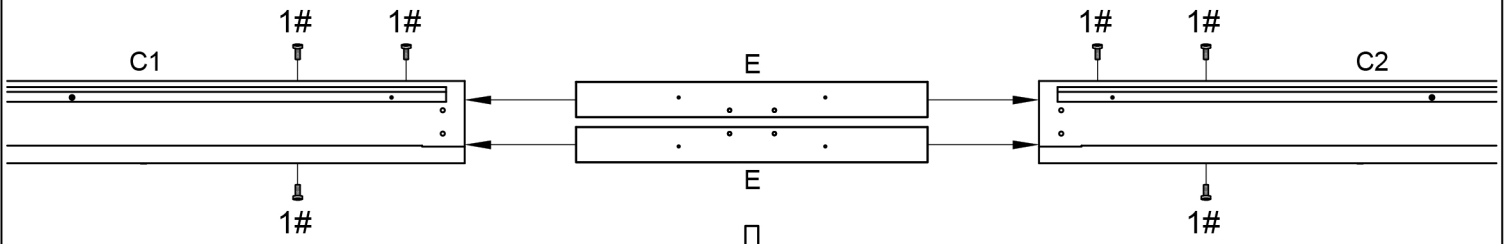
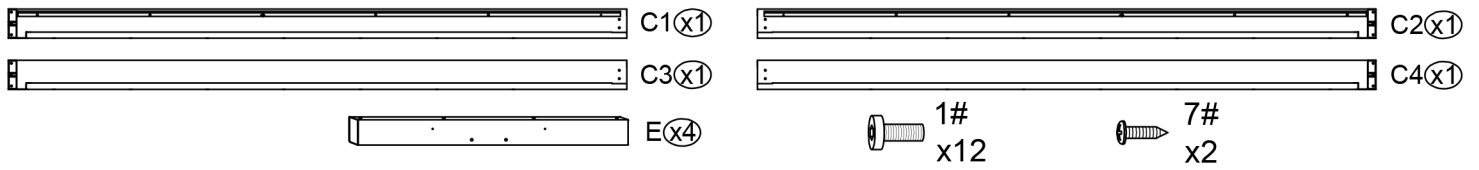
A1



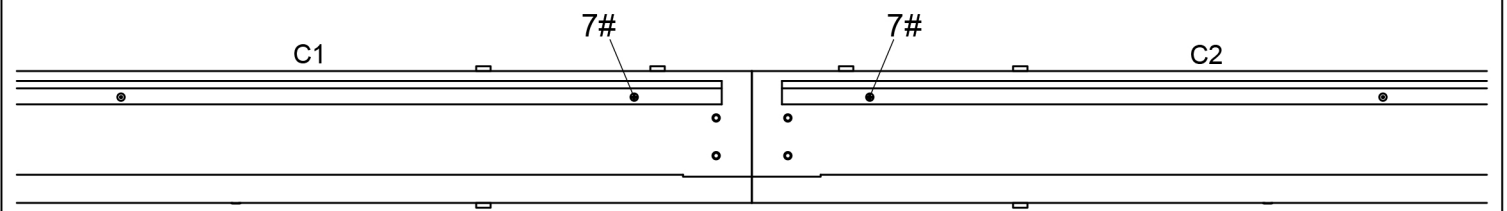
F



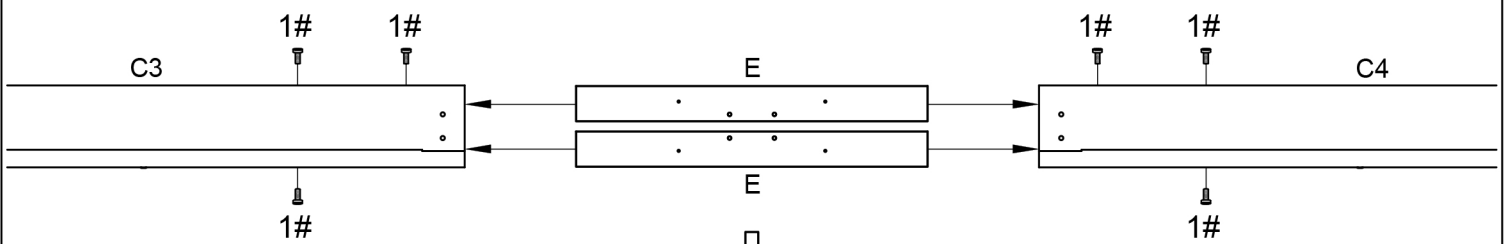
F



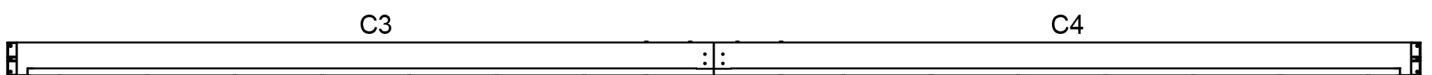
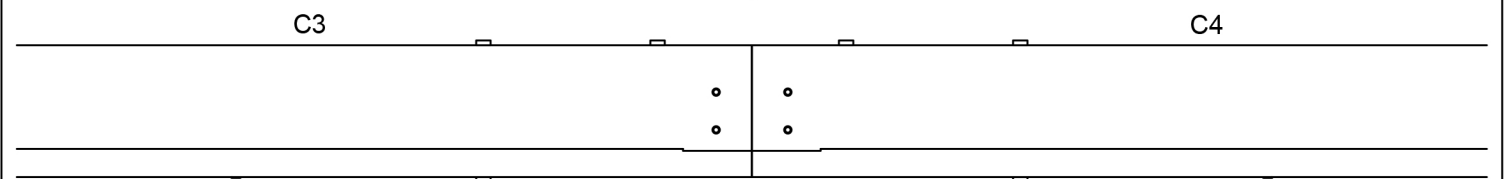
Step2: Insert Part E into Part C1 and C2 with 6 bolts 1# as shown above.



Step3: Secure Part C1 and C2 with 2 bolts 7# as shown in the picture.



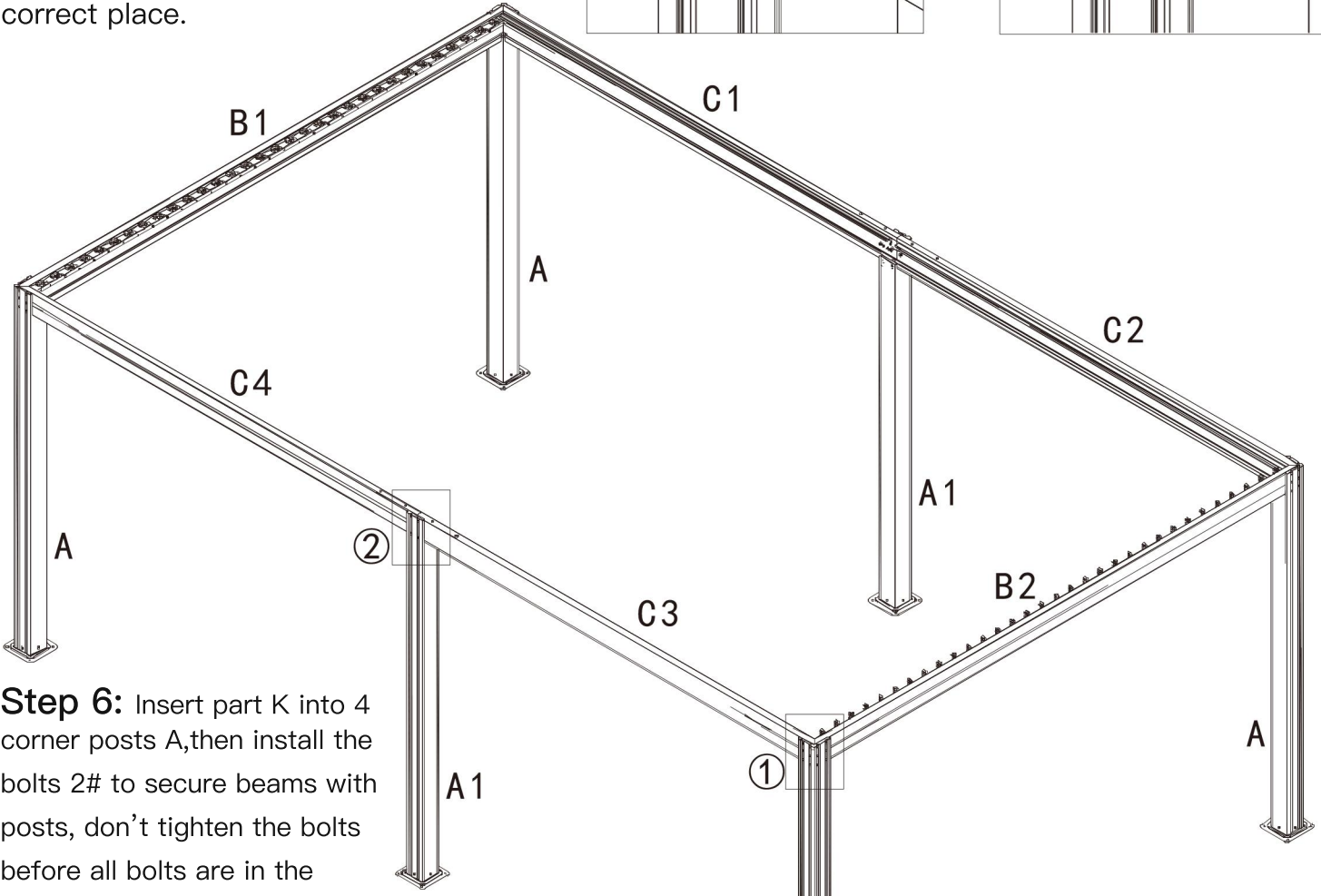
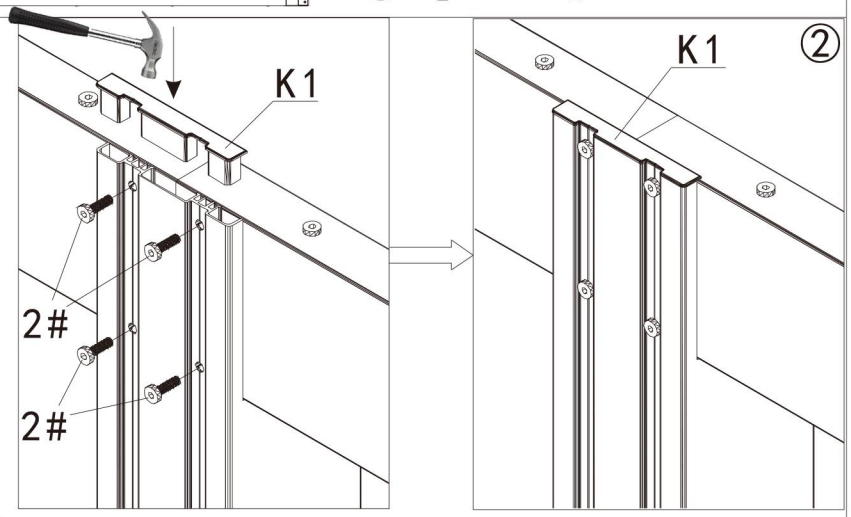
Step4: Insert Part E into Part C3 and C4 with bolts 1# as shown above. Then secure Part C3 and C4 with 6 bolts 1#.



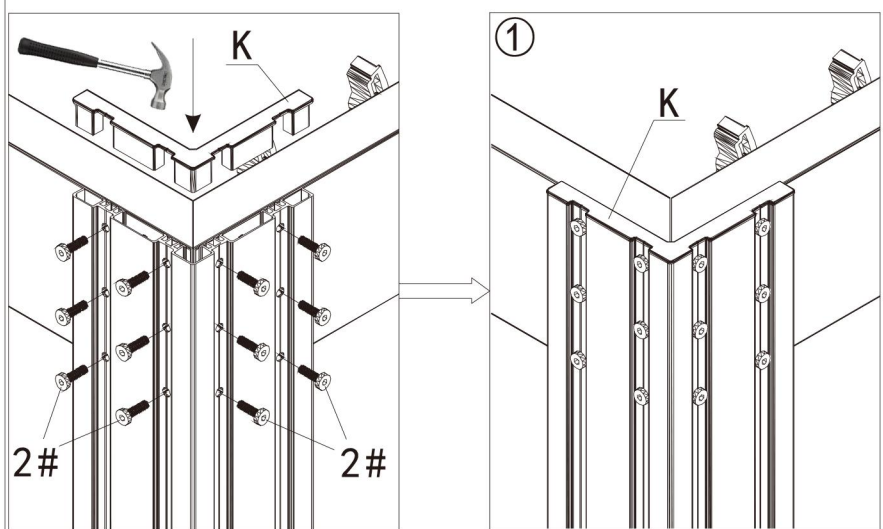


Mount the right beams on the right posts as shown in the picture.

Step 5: Insert part K1 into the middle post A1, then install the bolts 2# to secure beams with posts, don't tighten the bolts before all bolts are in the correct place.



Step 6: Insert part K into 4 corner posts A, then install the bolts 2# to secure beams with posts, don't tighten the bolts before all bolts are in the correct place.

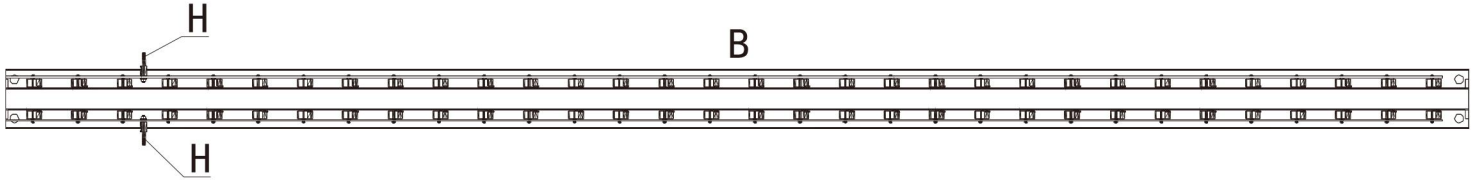


Tighten the bolts to form a basic frame.

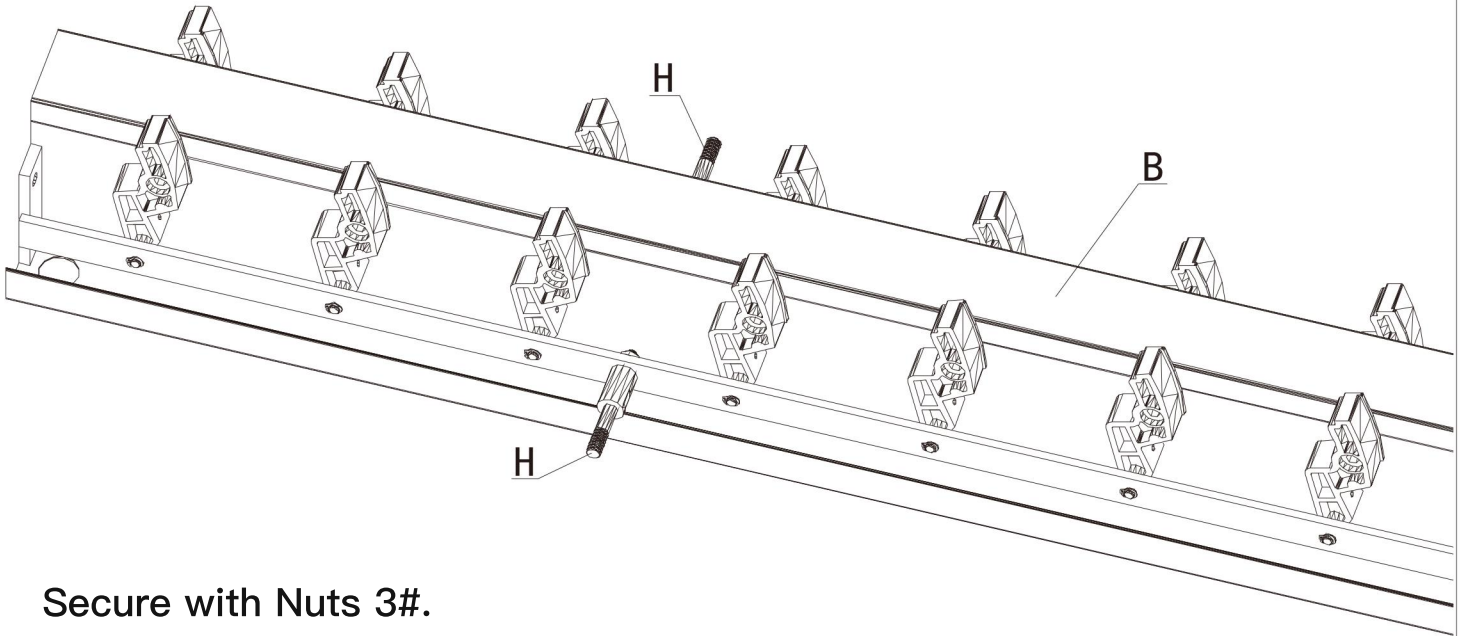
B(x1)

H(x2)

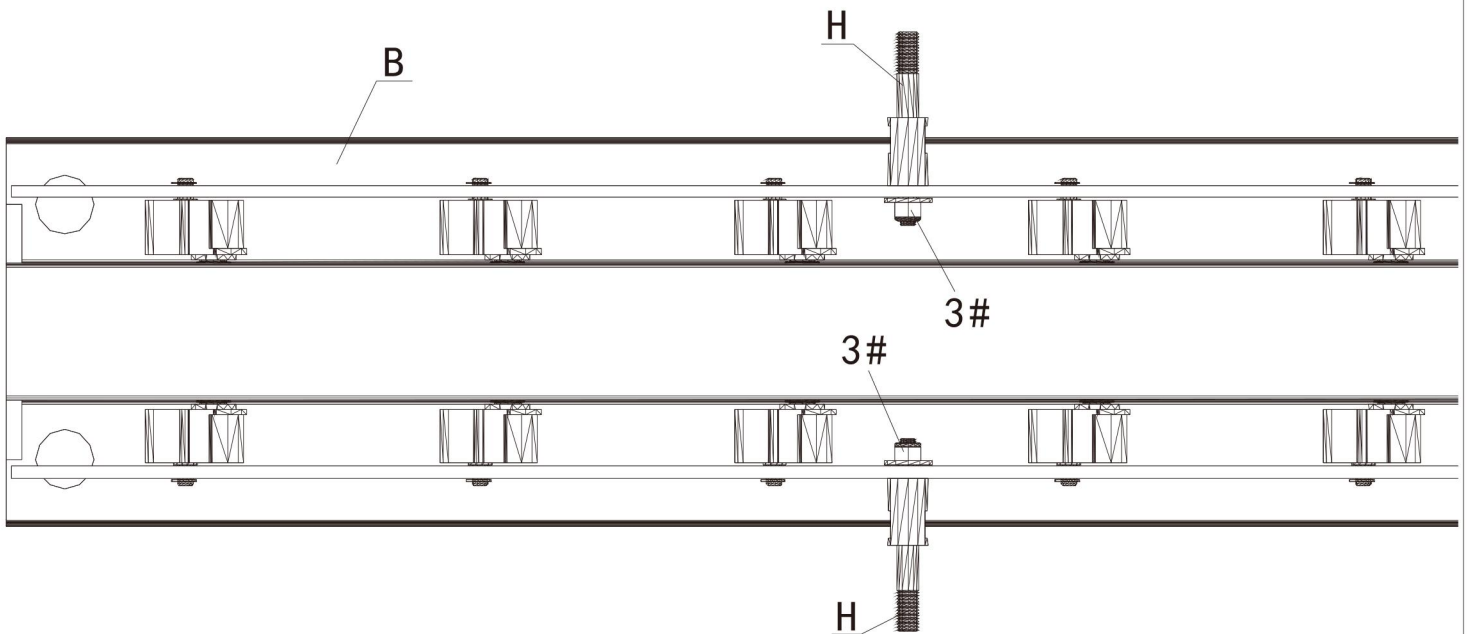
M6 3# x2

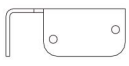


Step 7: Insert Part H into the hole on the middle cross beam B as shown.



Secure with Nuts 3#.





G x1



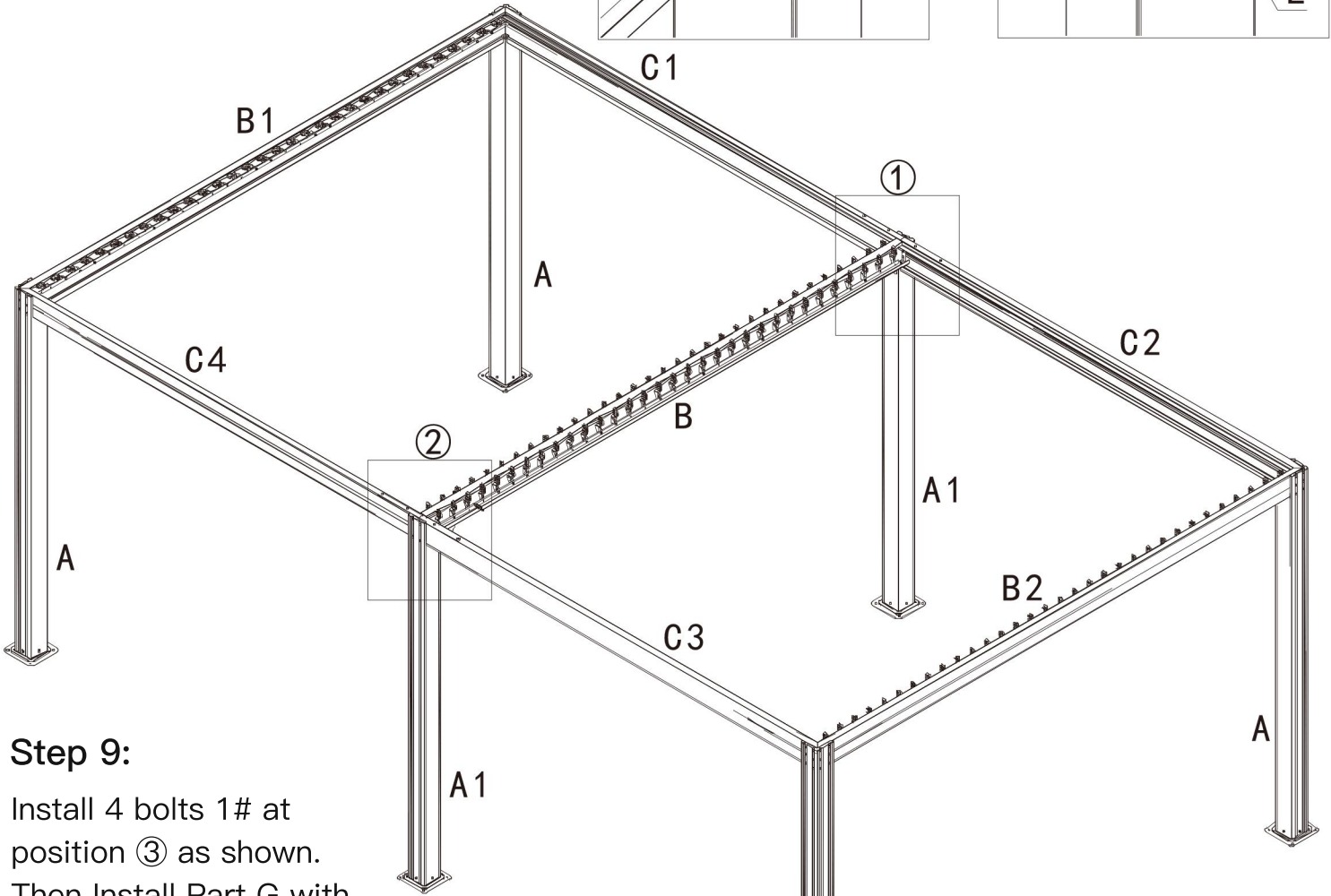
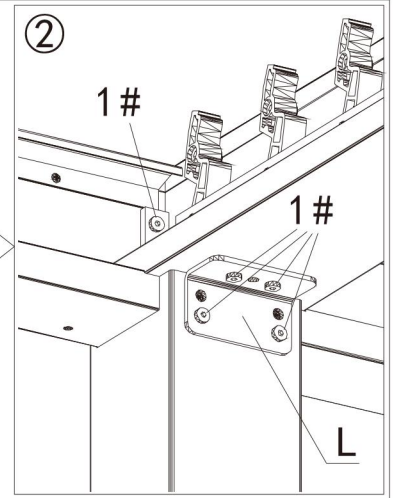
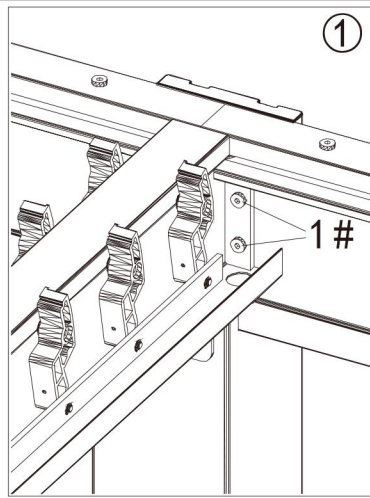
L x1



1#
x20

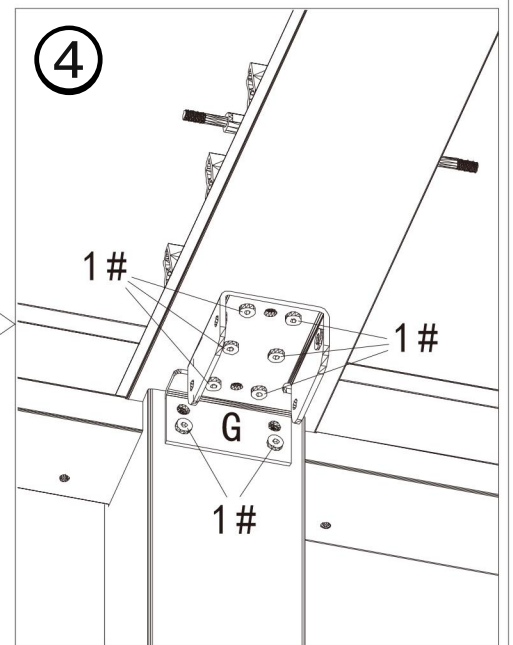
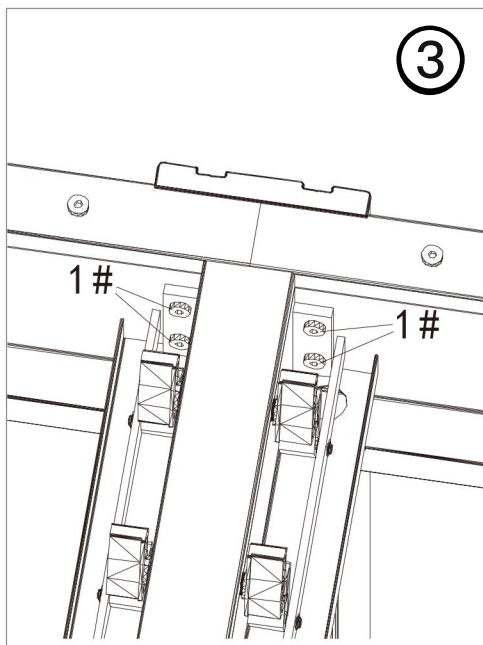
Step 8:

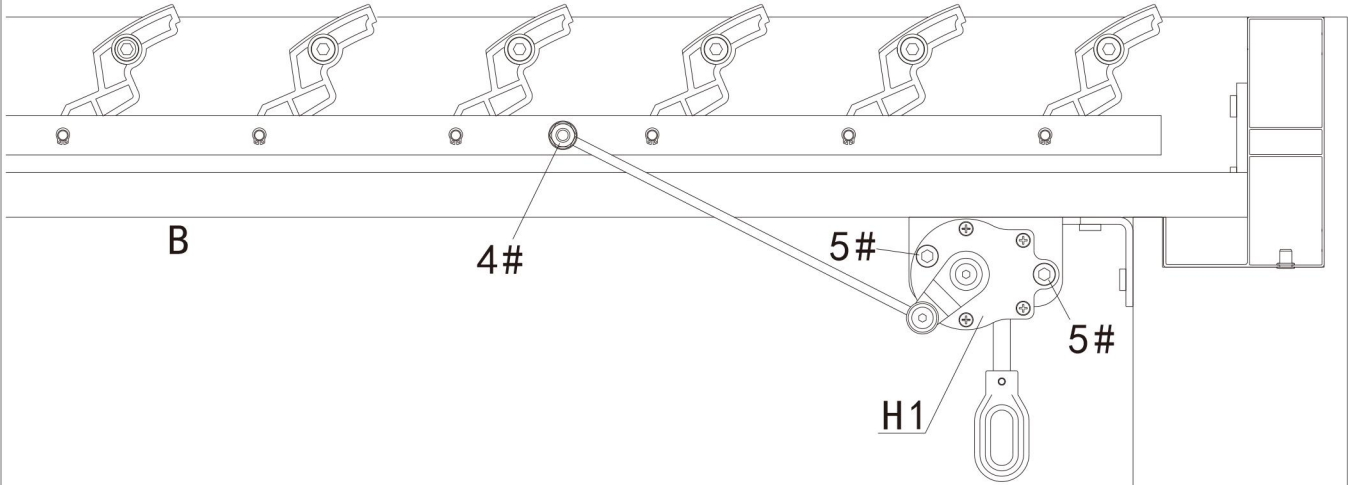
Install 4 bolts 1# at position ① as shown. Then Install Part L with bolts 1# at position ② as shown.



Step 9:

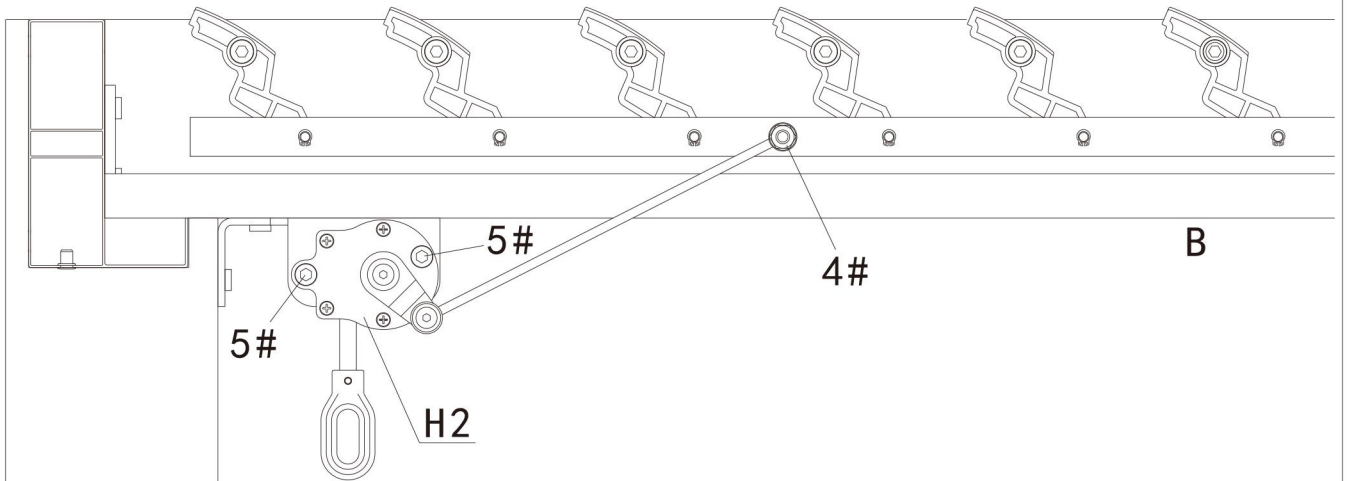
Install 4 bolts 1# at position ③ as shown. Then Install Part G with bolts 1# at position ④ as shown.





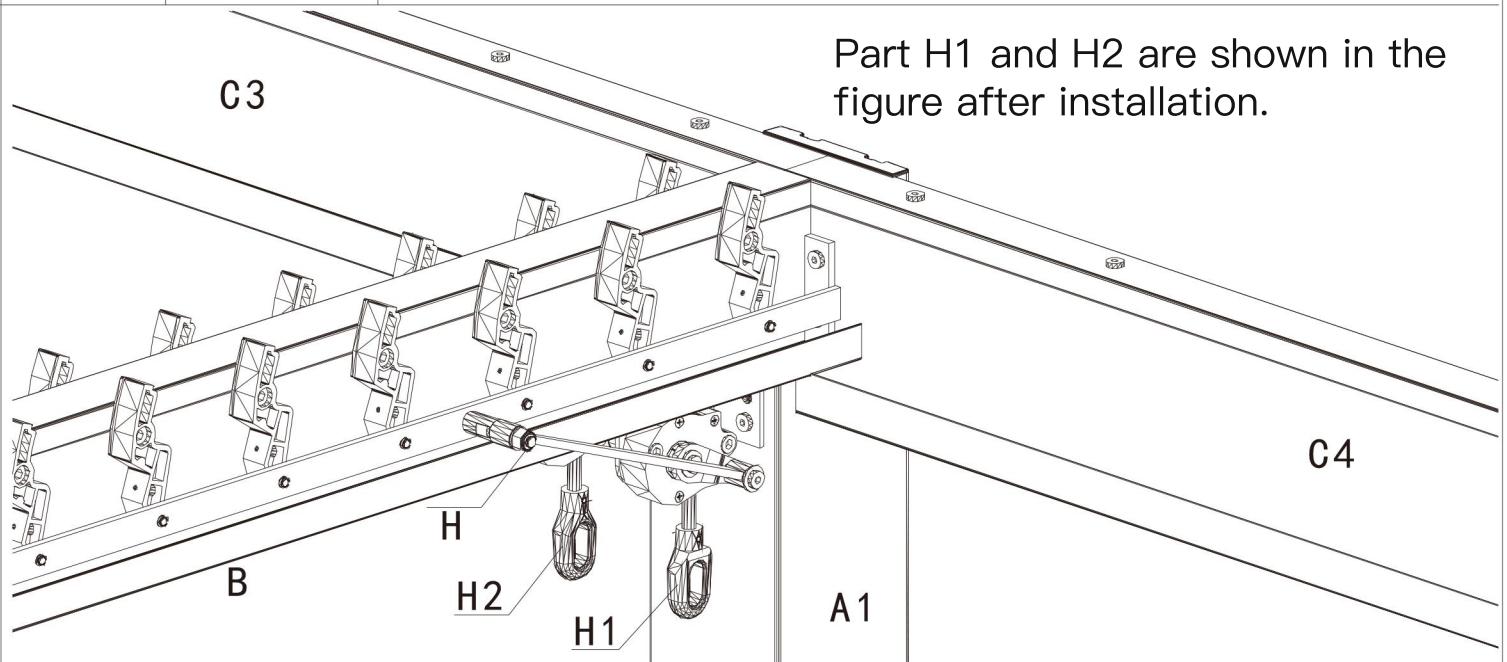
Step10: Secure the rolls H1 with bolts and nuts 5#, then use nuts 4# to secure roller connector to part H.

A1



Step11: Secure the rolls H2 with bolts and nuts 5#, then use nuts 4# to secure roller connector to part H.

A1



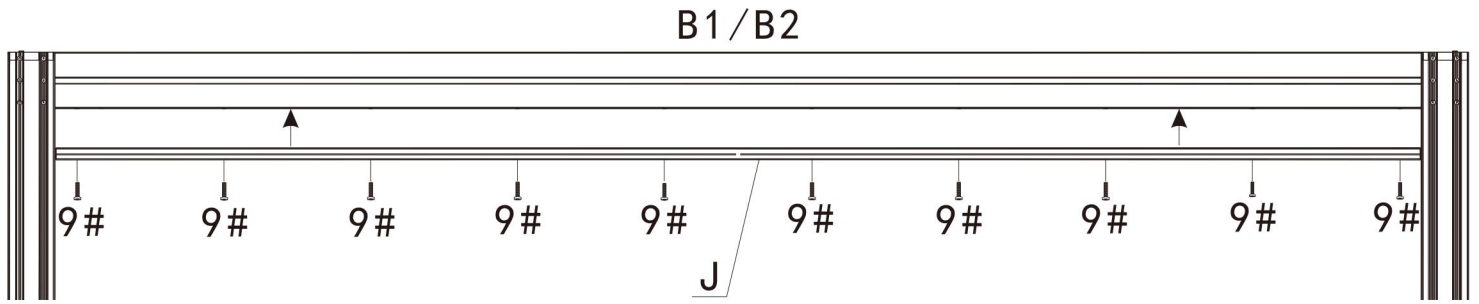
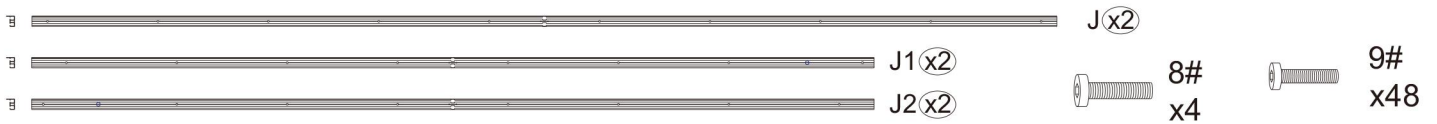
Part H1 and H2 are shown in the figure after installation.

C3

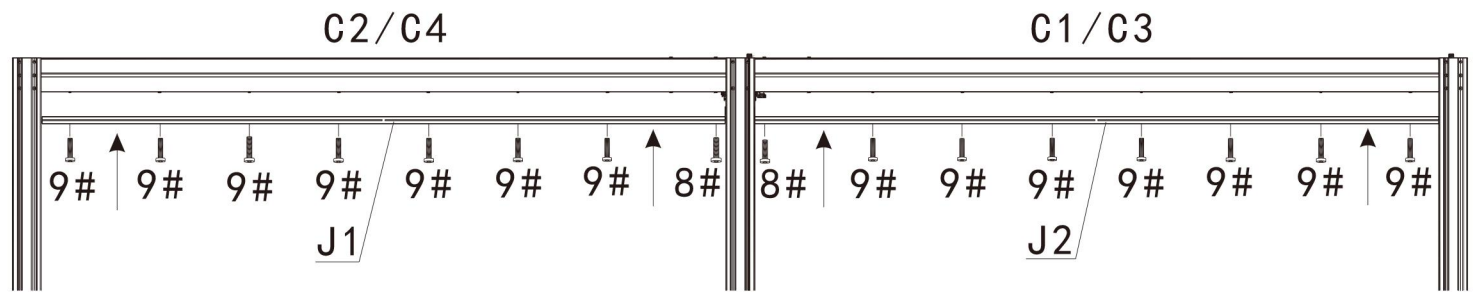
C4

B

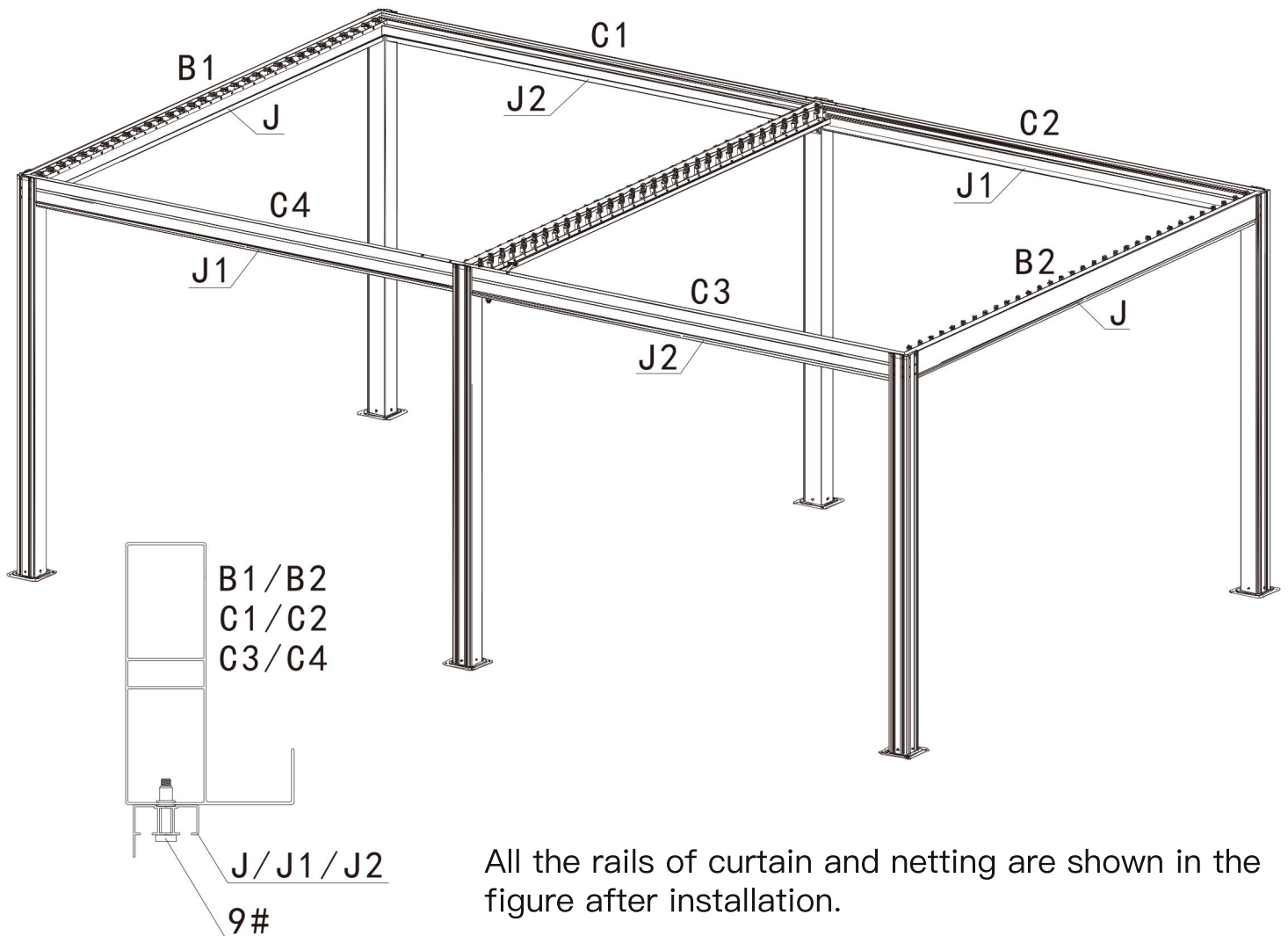
A1



Step 12: Connect Part J and Part B1/B2 with bolts 9# as shown.



Step 13: Connect Part J1 and Part C2/C4 with bolts 9# as shown. Then connect Part J2 and Part C1/C3 with bolts 9# as shown. Finally install bolts 8# (M6 X 30).



All the rails of curtain and netting are shown in the figure after installation.



J3 x6

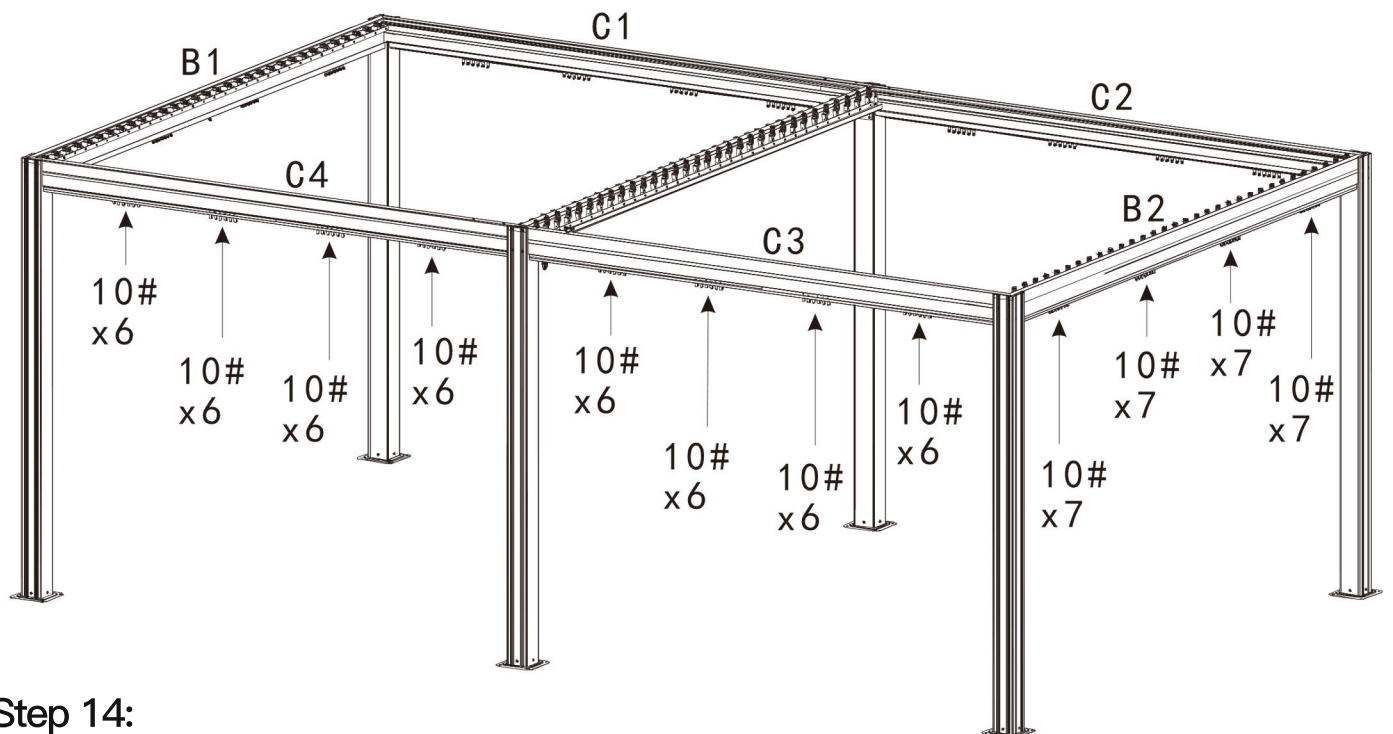
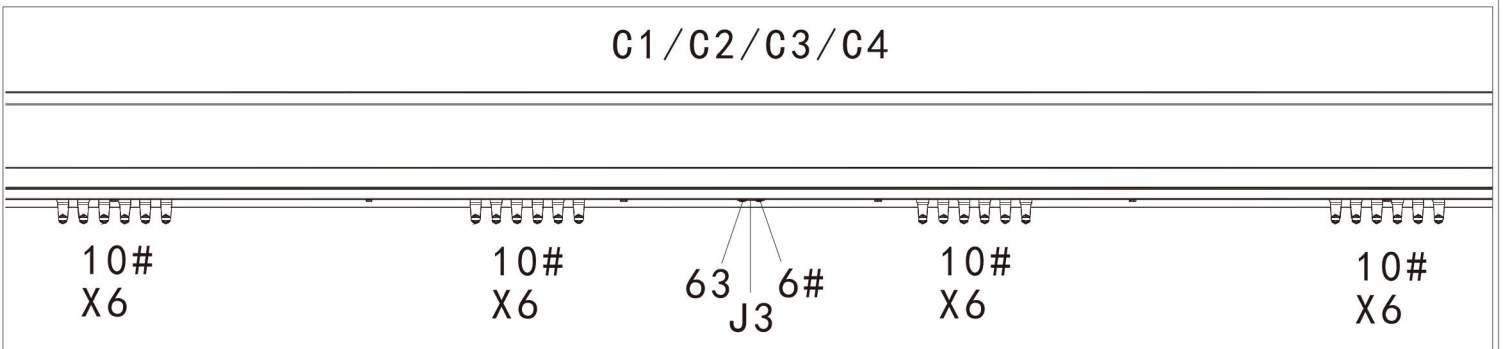
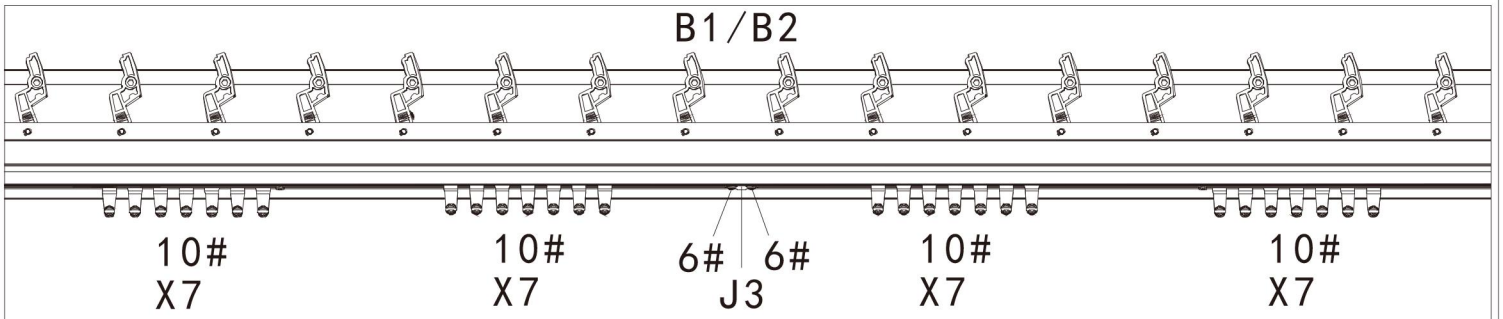
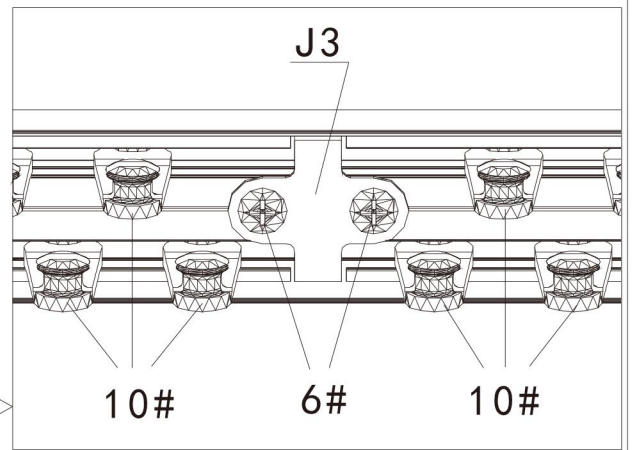
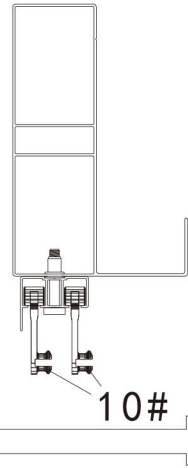
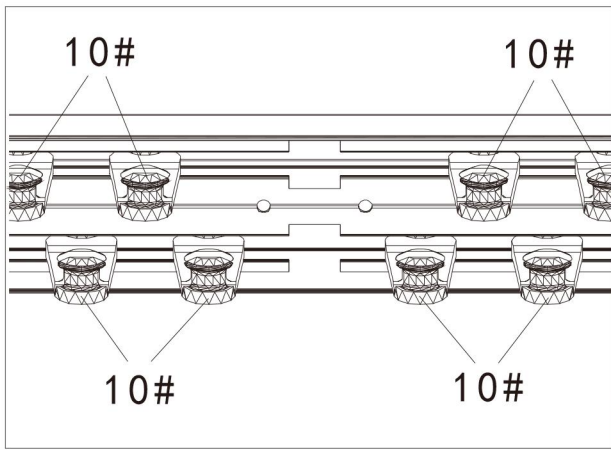


6#
x12



10#
x152

Double rail

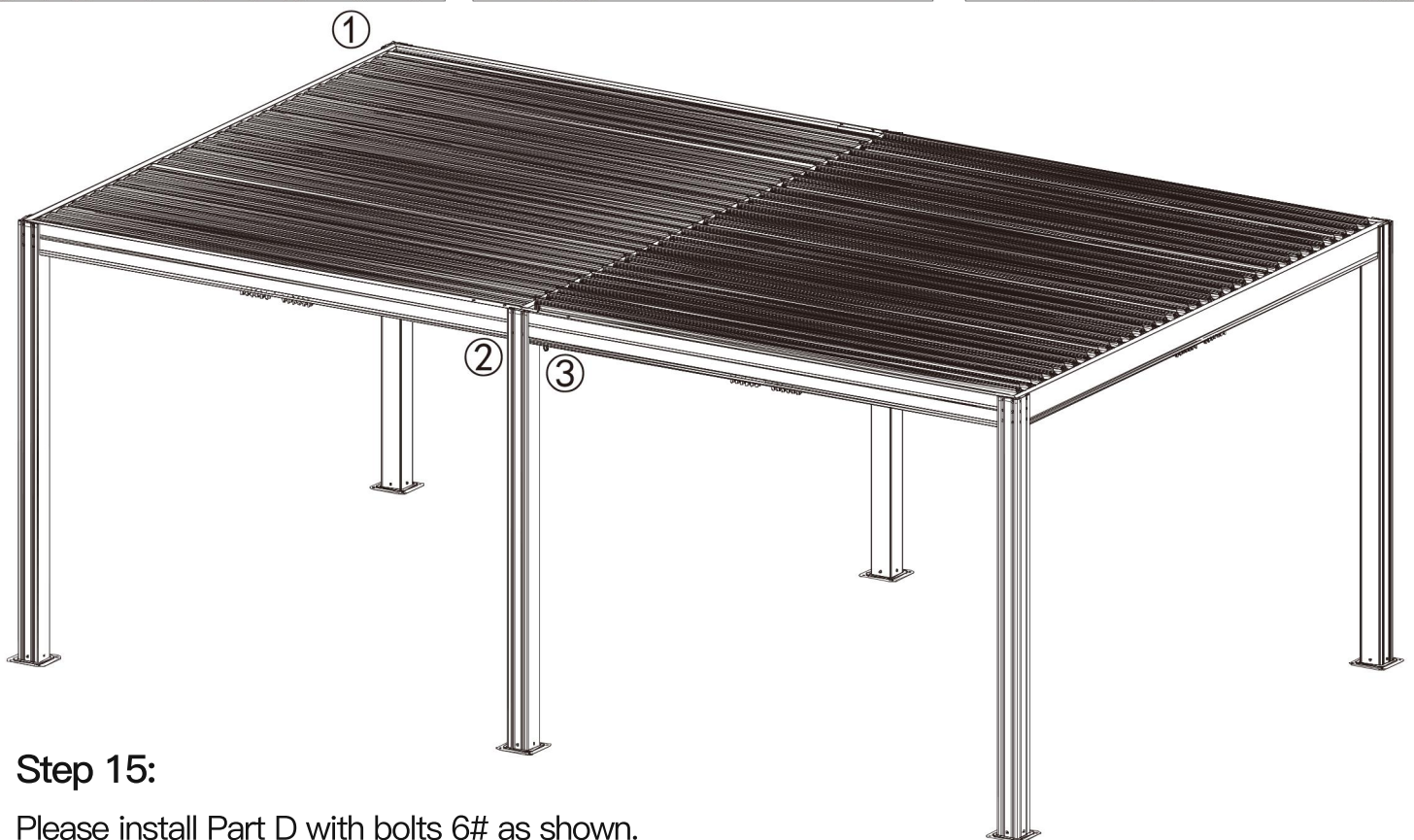
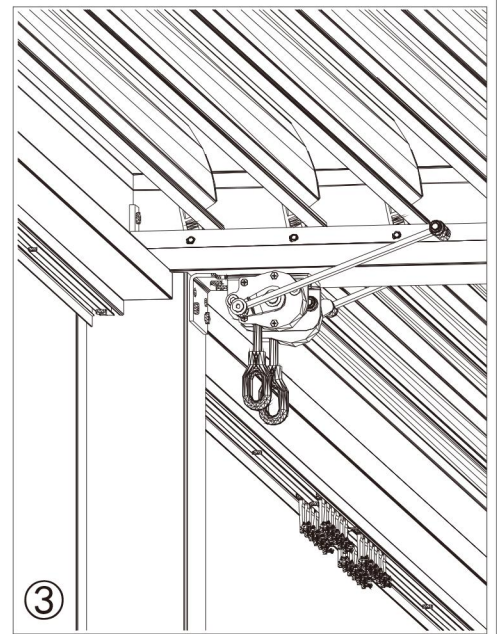
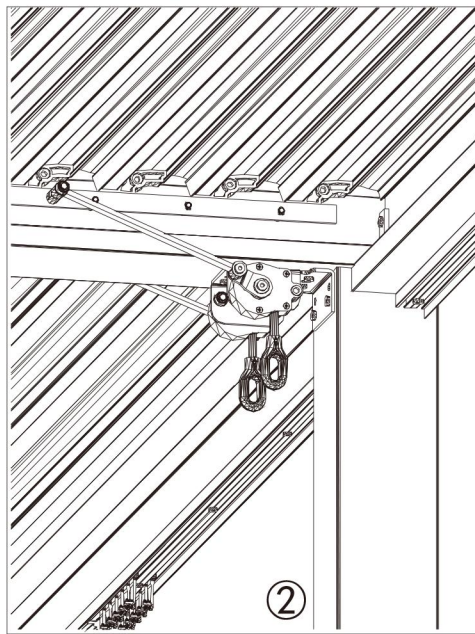
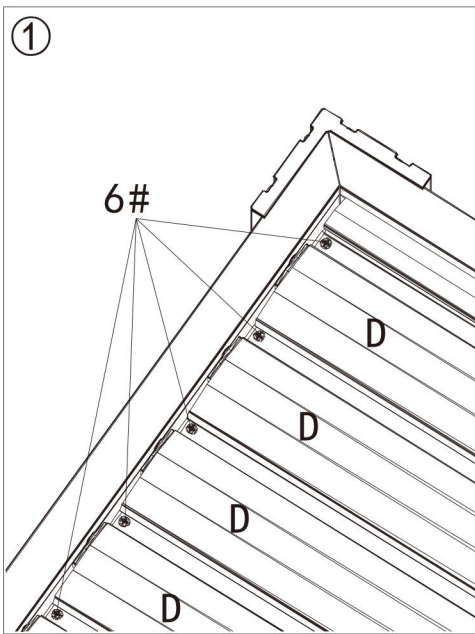
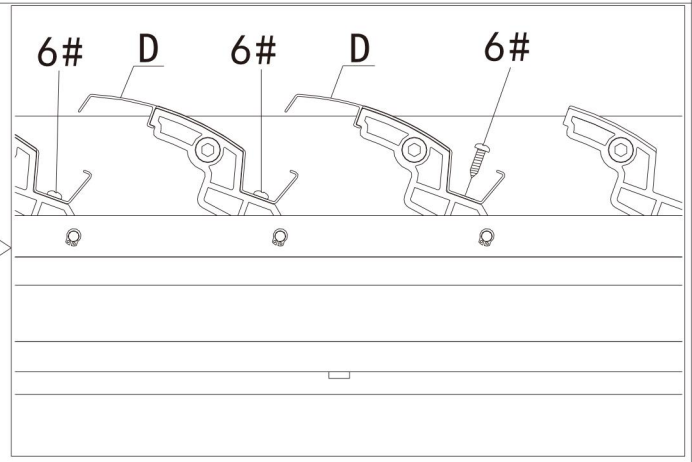
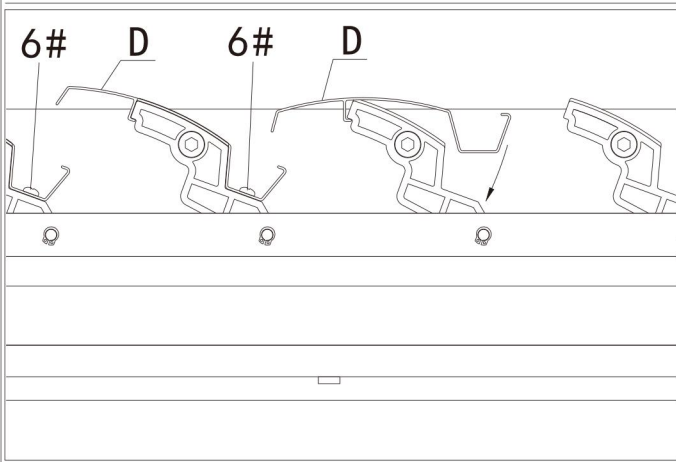


Step 14:

Slide the hooks to the inside & outside rail according to the manual, then use 12 bolts 6# to secure part J3 on the rail.

D x64

6#
x128



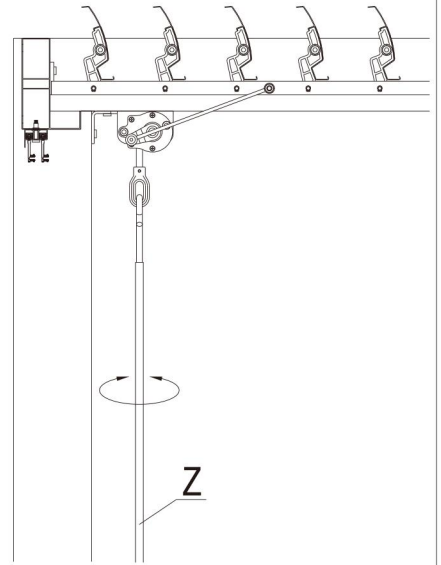
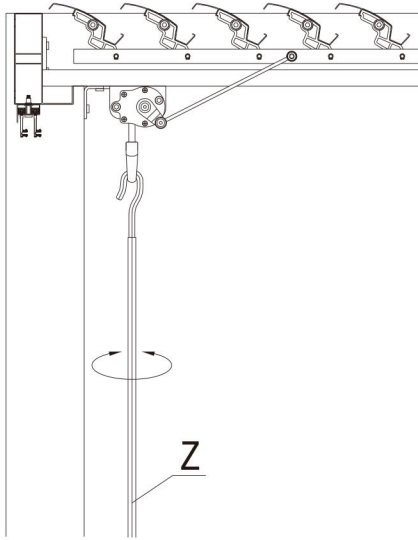
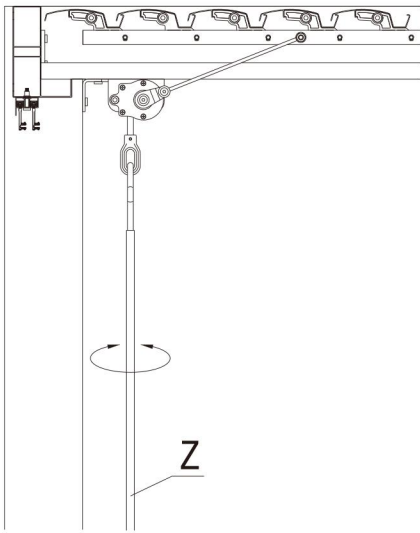
Step 15:

Please install Part D with bolts 6# as shown.

※ If moderate to heavy snow is forecast, pls open the louvers to avoid snow accumulating.

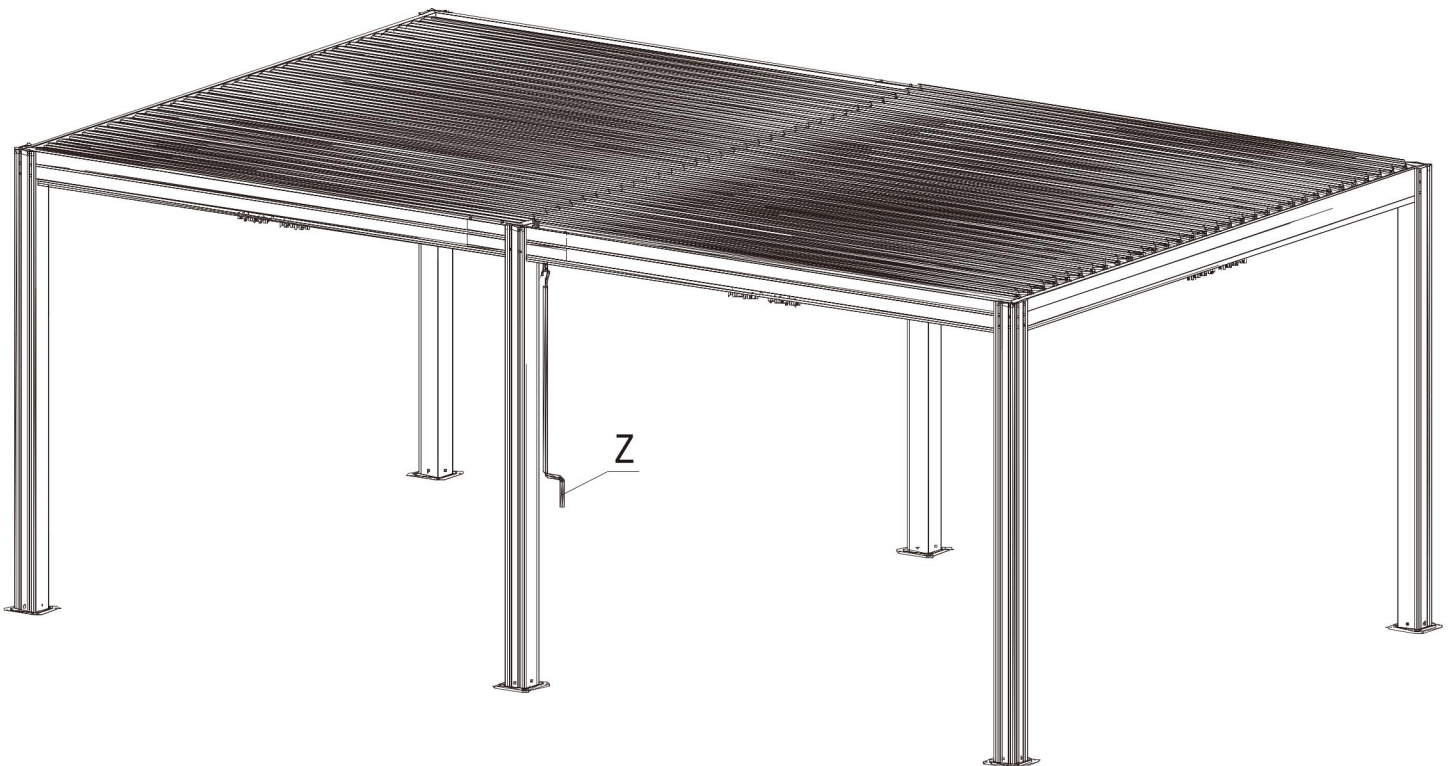


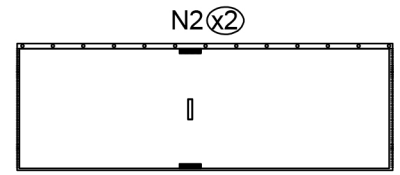
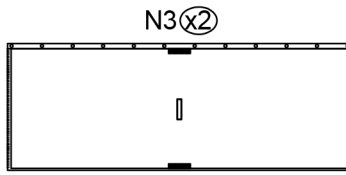
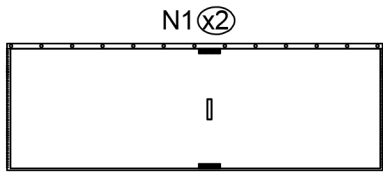
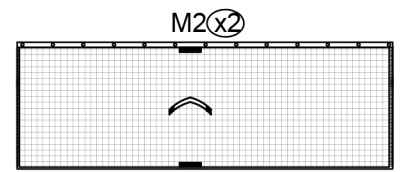
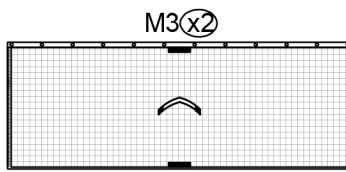
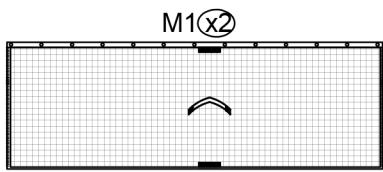
Z (x1)



Step 16:

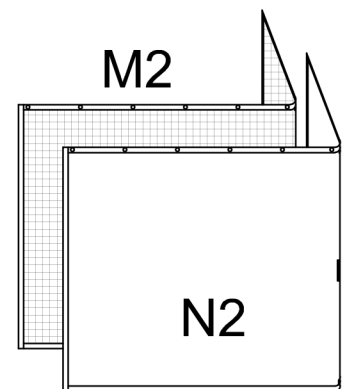
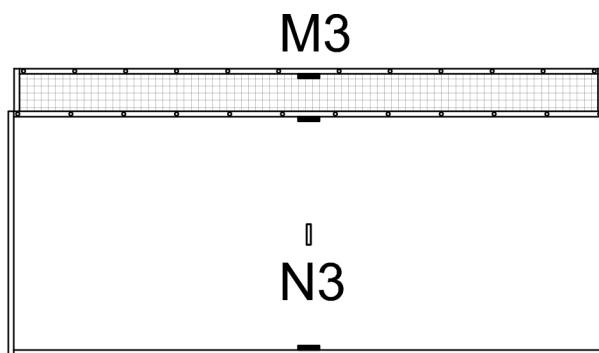
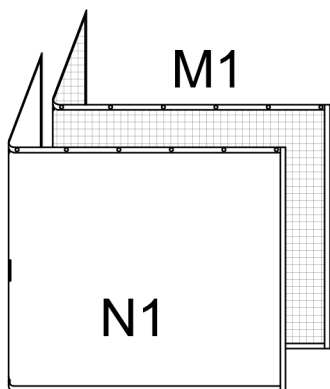
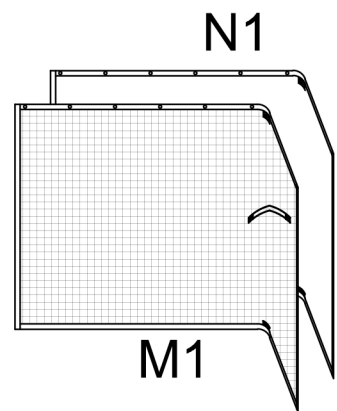
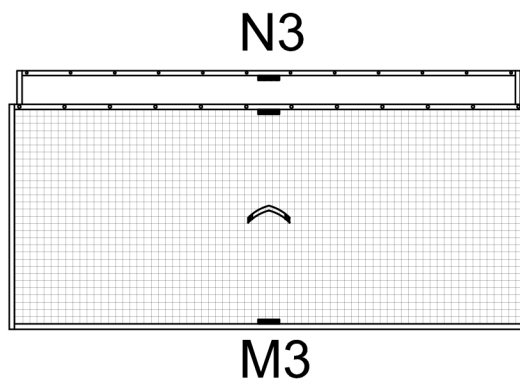
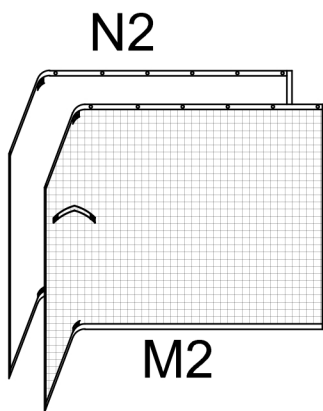
Just shake the roller rod anytime you want let the sun in or block the sunray.





Step 17:

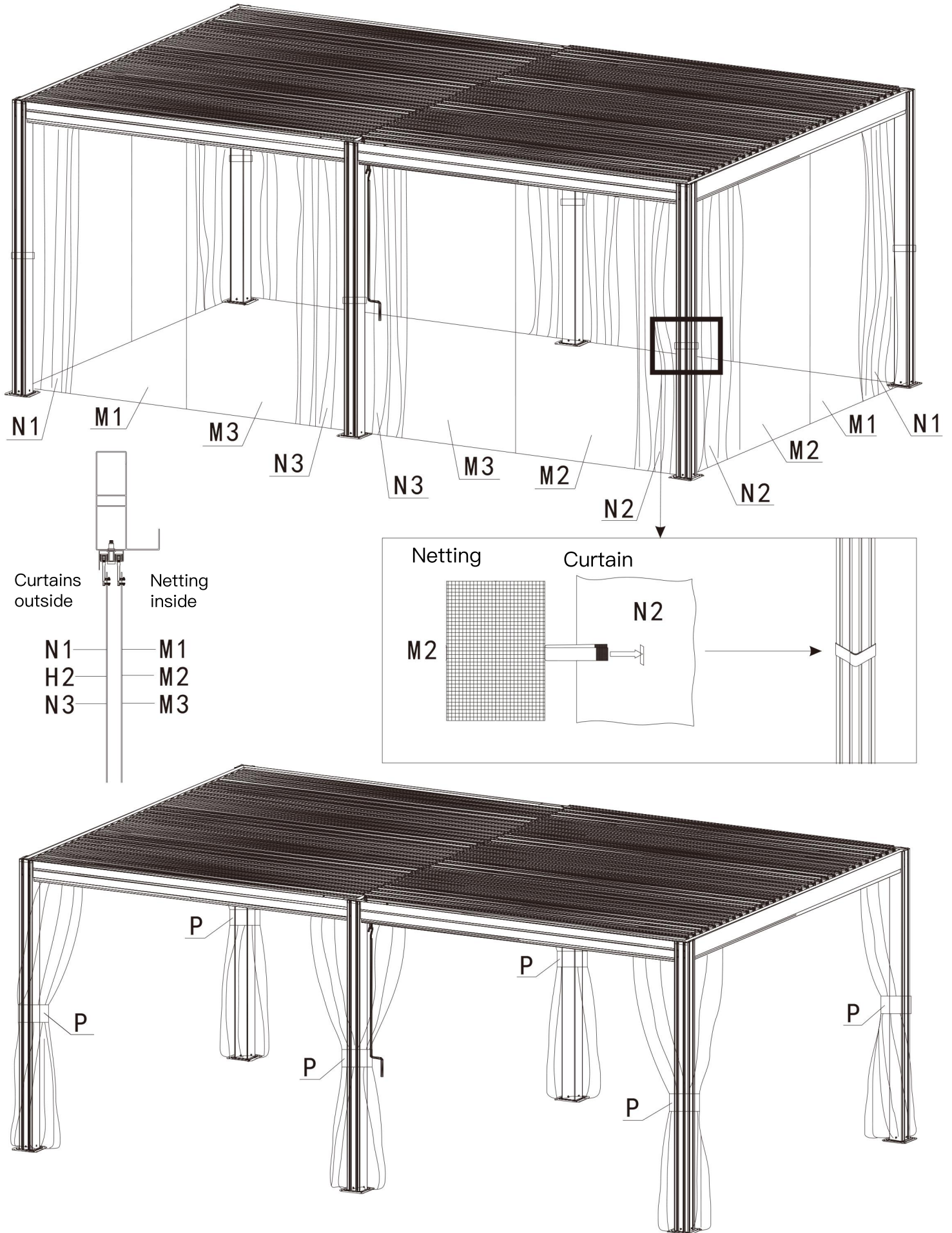
Install Part M1,M3,M2 and N1,N3,N2,P follow the position and method as shown.



All the curtains and netting are shown in the figure after installation.

The small netted straps on the netting are needed to cross the hole on the curtains, then tie the small netted strap on each post.
Finally tie the big strap on each post.

※ If the wind and rain is too heavy, please close the curtains and netting.





RESORT COMFORT IN YONR
OWN BACKYARD

Thanks for your purchase.

At domi outdoor living, we believe in our products.

That's why we provide a 12-month warranty and

friendly, easy-to-reach after-sales service. So if you

have any questions about our product and assembly-

, please feel free to contact us. We will be here for you.

Support:  

email: service@domioutdoorliving.com

Please tell us your order ID when contact.

Attach photos of damaged part for instant reply.