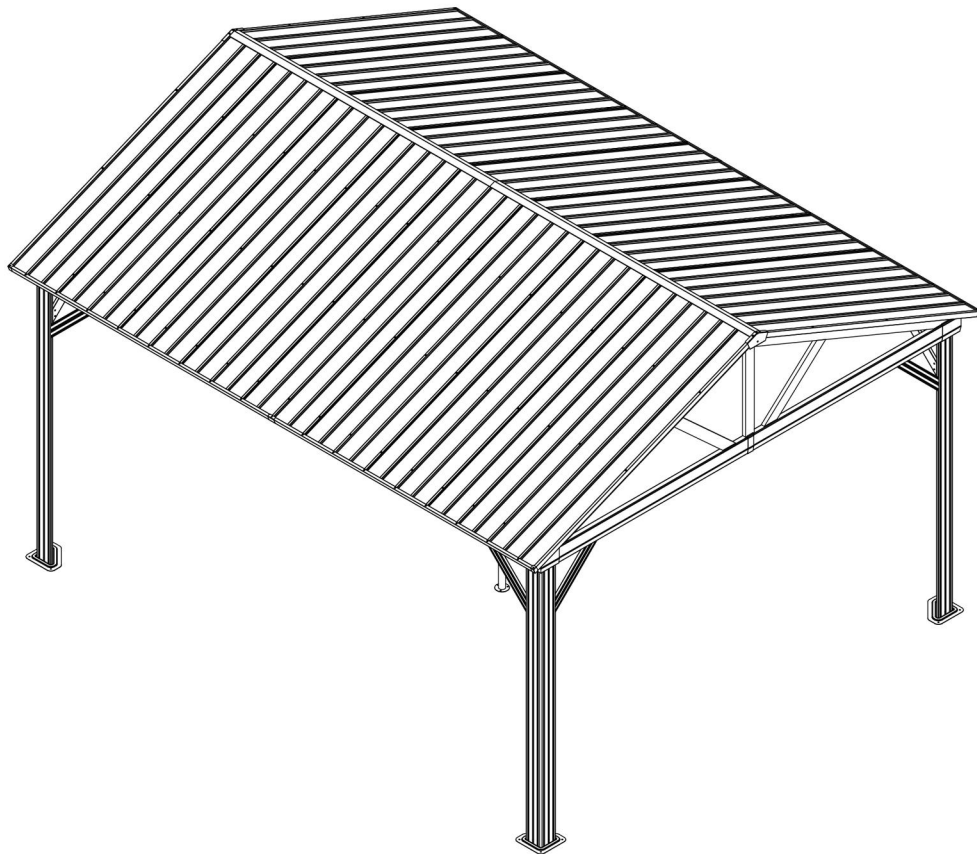




# Gable Roof Design Wood Grain Gazebo Assembly Manual



Missing part? Damaged? Contact us via email at  
[service@domioutdoorliving.com](mailto:service@domioutdoorliving.com)

# READ ALL INSTRUCTIONS BEFORE USE

## Warning & Attention

-This gazebo is not a toy. Children are not allowed to assemble or disassemble. Please take care of children, do not let them play around when assemble or disassemble.

-Adults only for assemble or disassemble this product.

-This product is constructed with heavy duty frame, please do not lean or climb before it finish assembling.

-Even though our hardtop gazebo is sturdy, please do not stand under the gazebo during a lightning storm.

-DO NOT use this gazebo if any parts show signs of instability or damage.



Two or more people are needed for assembly.



Find out and use the hex keys in the box.



One or more ladders are necessary.



A Phillips screwdriver is required.



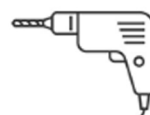
Please wear protective glove before assembly.



Please don't fully tighten the screws prior to complete assembly.



Please wear a safety hat.



You may need prepare a drill.

Part list



**A** 4x Pole



**C** 2x Beam



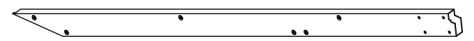
**C1** 2x Beam



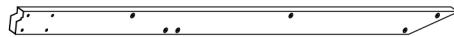
**C2** 2x Inside Beam



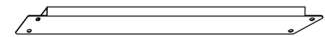
**C3** 2x Inside Beam



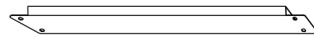
**D** 2x Corner



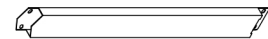
**D1** 2x Corner Roof Bar



**E** 2x Roof Solidifying Bar



**E1** 2x Roof Solidifying Bar



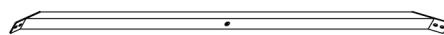
**E2** 2x Roof Solidifying Bar



**F** 1x Top Roof Beam



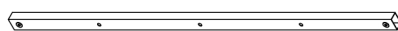
**F1** 1x Top Roof Beam



**G** 3x Top Support Bar



**H** 6x Roof Bar



**J** 8x Solidifying Bar



**J1** 8x Solidifying Bar

Part list



**(K)** 2x Finishing Bar



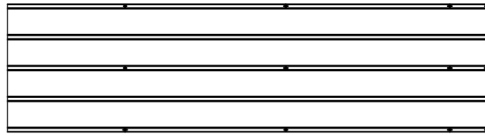
**(K1)** 2x Finishing Bar



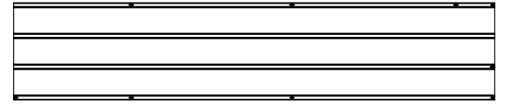
**(L)** 2x Finishing Bar



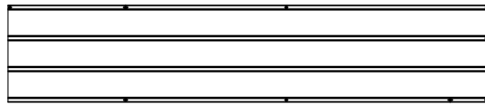
**(L1)** 2x Finishing Bar



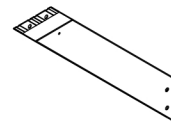
**(M)** 14x Roof Panel



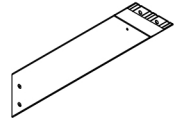
**(M1)** 2x Roof Panel



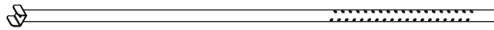
**(M2)** 2x Roof Panel



**(N)** 4x Corner Solidifying Bar



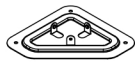
**(N1)** 4x Corner Solidifying Bar



**(P)** 1x Middle Support Pole



**(P1)** 1x Middle Support Pole



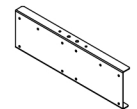
**(B)** 4x Base



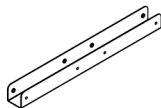
**(B1)** 8x Joint Cover



**(B2)** 8x Joint Cover



**(Q)** 4x Joint Cover



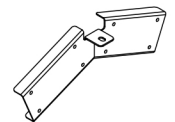
**(Q1)** 1x Joint Bar



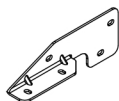
**(R)** 4x Joint Bar



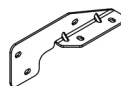
**(R1)** 4x Corner Cover



**(S)** 2x Solidifying Bar



**(S1)** 2x Joint Cover



**(S2)** 2x Joint Cover




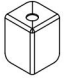




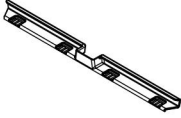
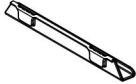

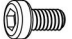
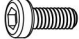
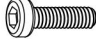

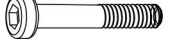



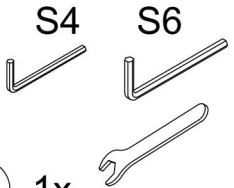



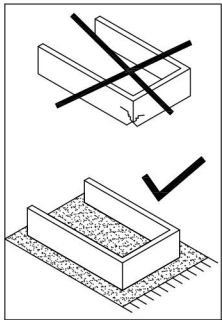
**(T)** 8x Joint Cover



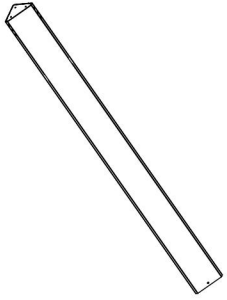
**(T1)** 6x Joint Cover

# Part list

 <b>(T2)</b> 12X Joint Cover	 <b>(U)</b> 3X Joint Cover	 <b>(V)</b> 2X Finishing End	 <b>(V1)</b> 4X Joint Cover
 <b>(V2)</b> 2X Joint Cover	 <b>(W)</b> 3X Hook	 <b>(X)</b> 2X Gloves	 <b>(Y)</b> 132X Spacer
 <b>(Z)</b> 32X Metal Bracket	 <b>(Z1)</b> 4X Metal Bracket	 <b>1</b> 40x M5x16	 <b>2</b> 6x M6x10
 <b>3</b> 238x M6x16	 <b>4</b> 6x M6x20	 <b>5</b> 56x M6x28	 <b>6</b> 74x M6x45
 <b>7</b> 32x M6x15	 <b>8</b> 52x ST5x13	 <b>9</b> 130x	 <b>S4 S6</b> <b>10</b> 1x
 <b>11</b> 1x			



<1> ⚠ Please Note: remember to wear gloves.



A 4x



B 4x



B1 8x



B2 8x



M5x16

1 40x



M6x16

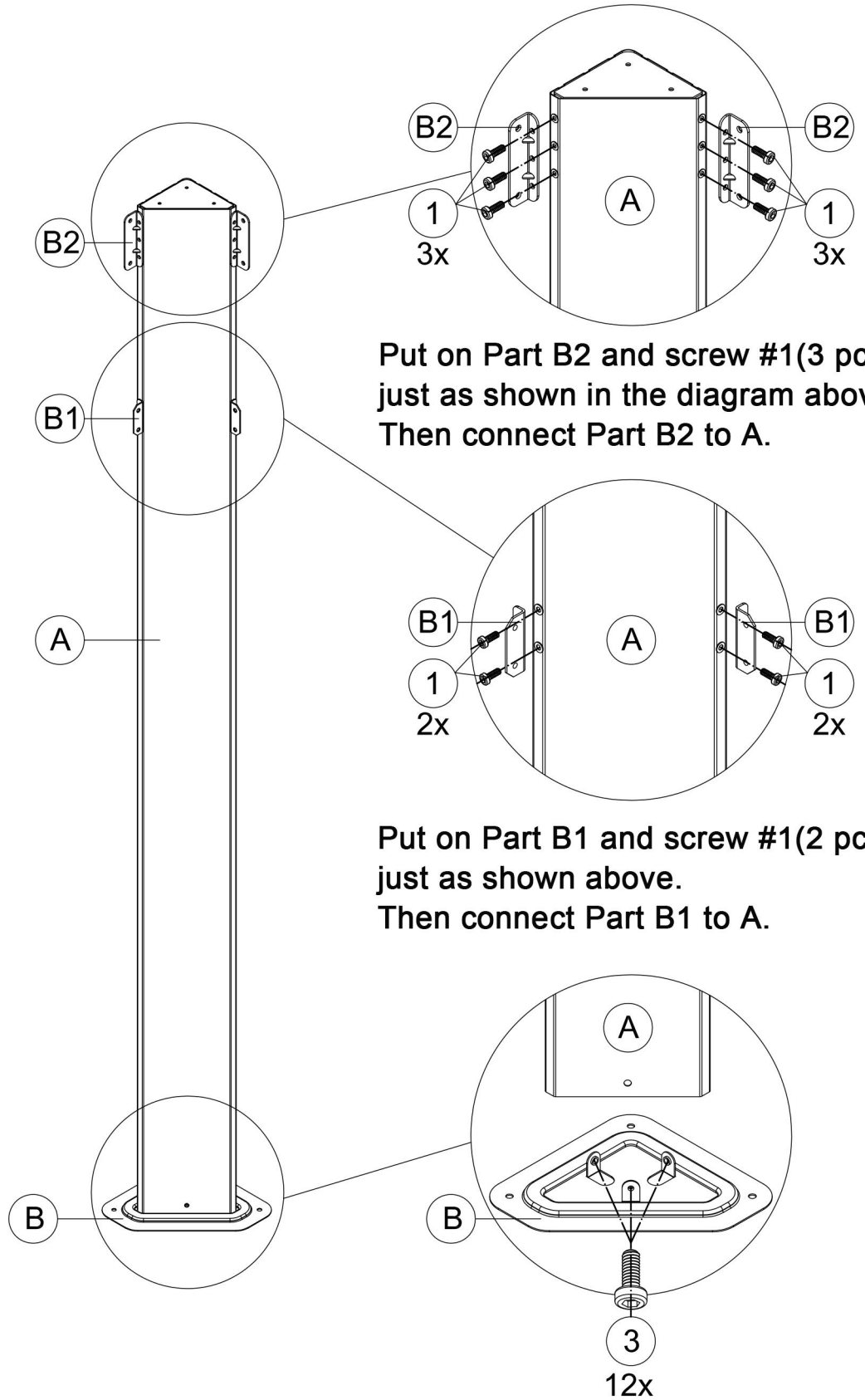
3 12x



S4

10 1x

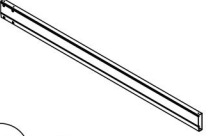
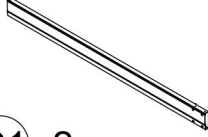



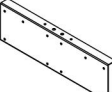



5



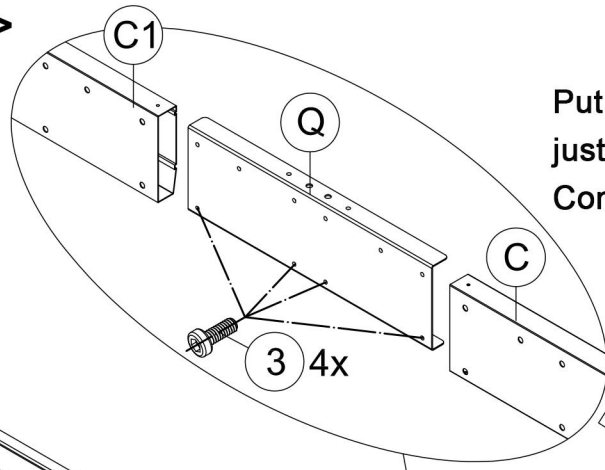
Put on Part B2 and screw #1(3 pcs) just as shown in the diagram above. Then connect Part B2 to A.

Put on Part B1 and screw #1(2 pcs) just as shown above. Then connect Part B1 to A.

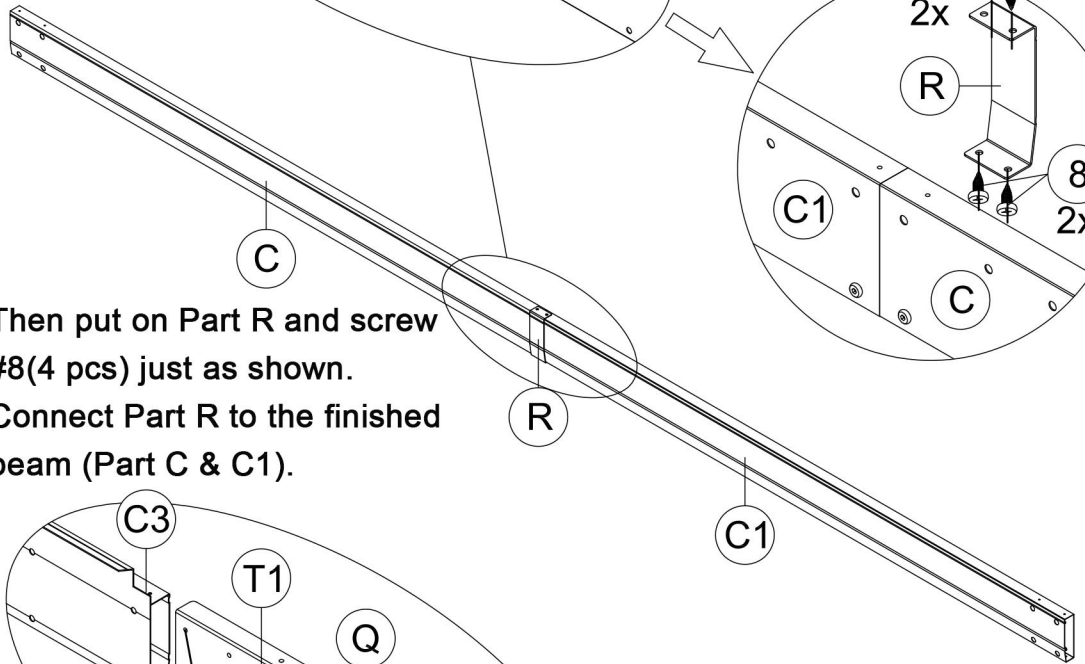
Put on Part B and screw #3(12 pcs) just as shown above. Then connect Part B to A.

	<b>C</b> 2x
	<b>C1</b> 2x
	<b>C2</b> 2x
	<b>C3</b> 2x
	<b>R</b> 4x
	<b>Q</b> 4x
	<b>T1</b> 6x
	<b>3</b> 32x M6x16
	<b>8</b> 16x ST5x13
<b>6</b>	

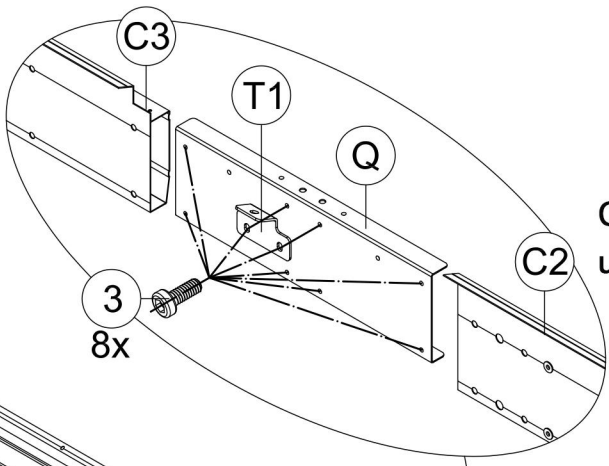
<2>



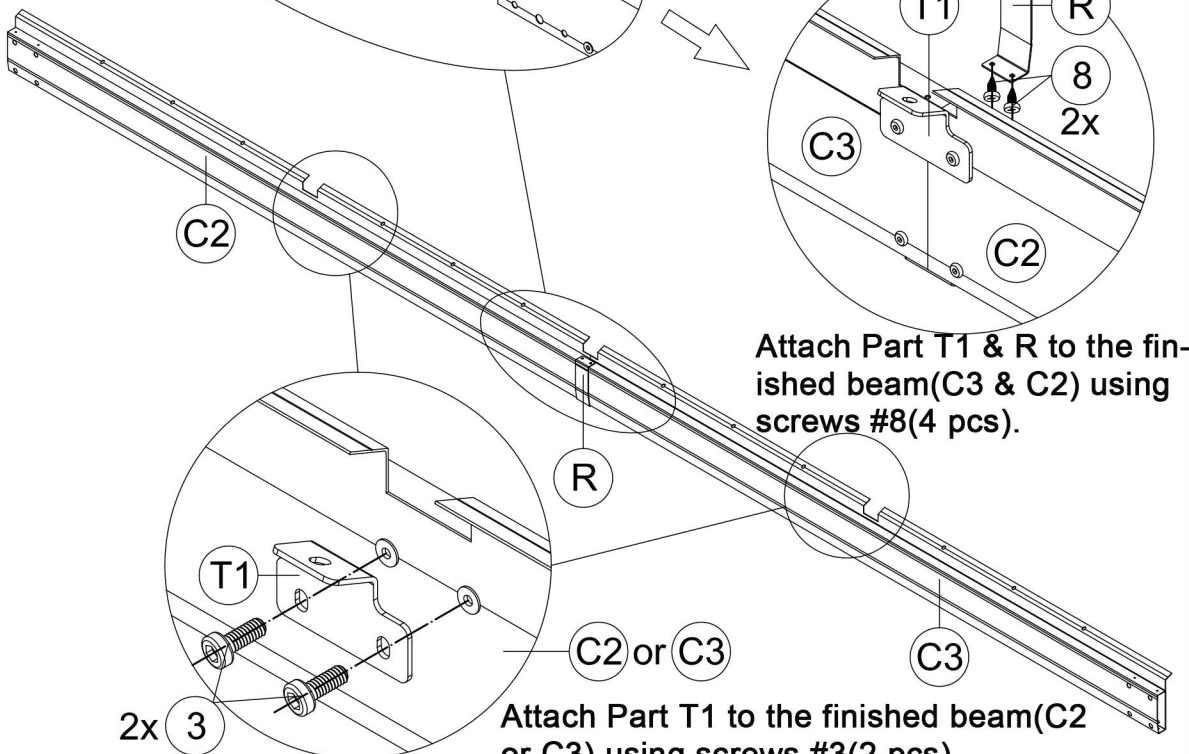
Put on Part Q and screw #3(4 pcs) just as shown on the left.  
Connect Part C & C1 with Part Q.



Then put on Part R and screw #8(4 pcs) just as shown.  
Connect Part R to the finished beam (Part C & C1).

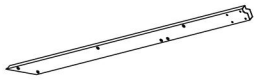


Connect Part C3 & C2 with Part Q using screws #3(8 pcs).



Attach Part T1 & R to the finished beam(C2 & C3) using screws #8(4 pcs).

Attach Part T1 to the finished beam(C2 or C3) using screws #3(2 pcs).



D 2x



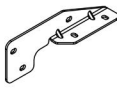
D1 2x



S 2x



S1 2x



S2 2x



T 8x



M6x16

3 28x

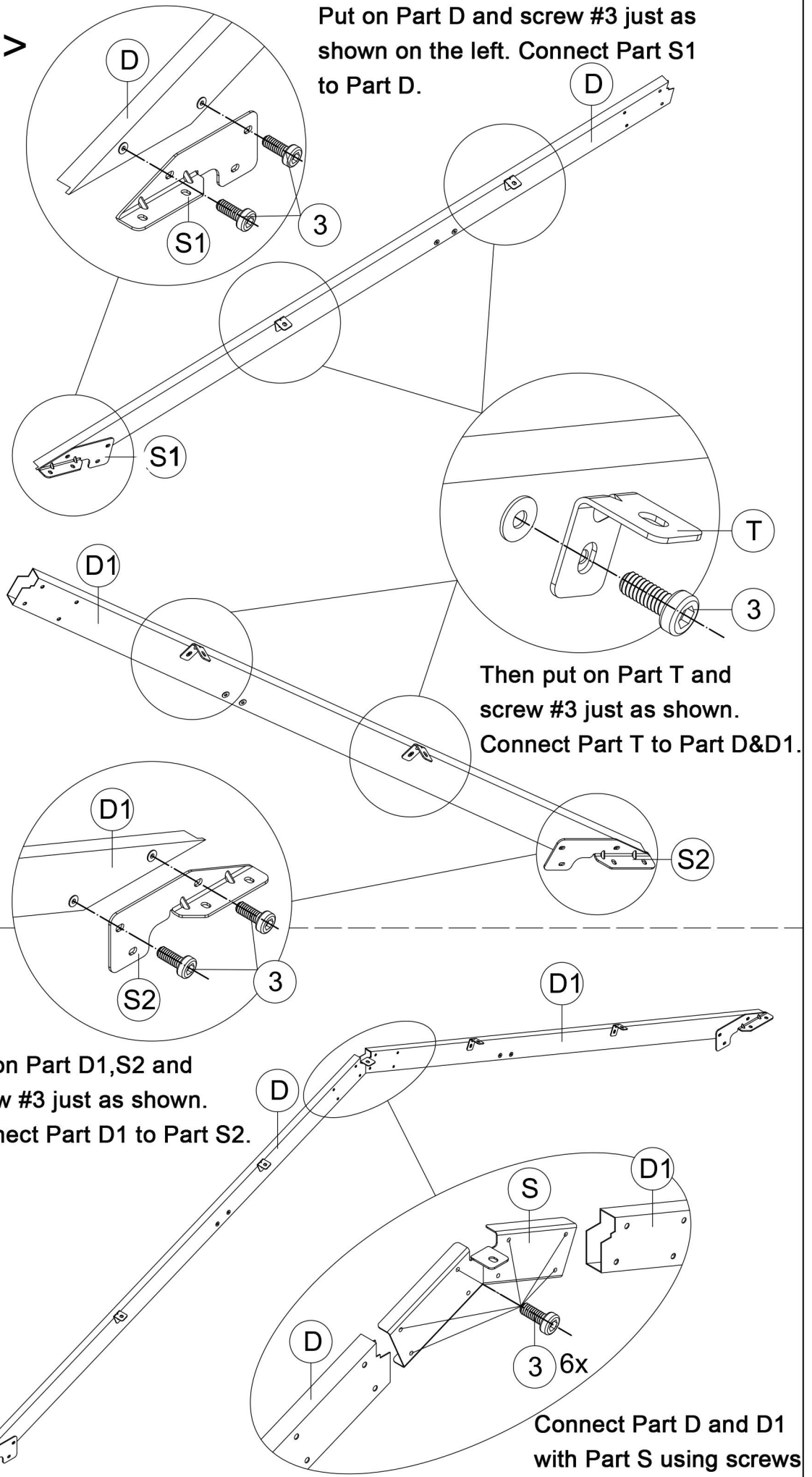
S4



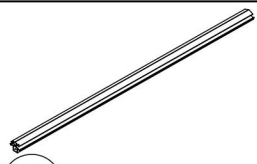
10 1x

7

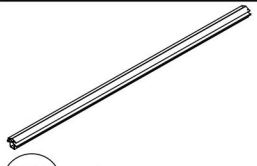
<3>



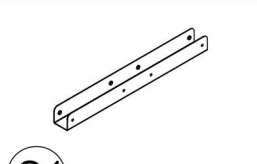




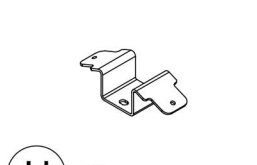
F 1x



F1 1x



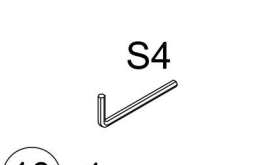
Q1 1x



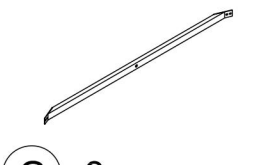
U 3x



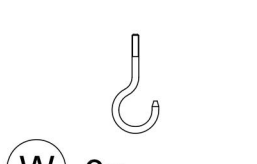
3 16x



10 1x



G 3x

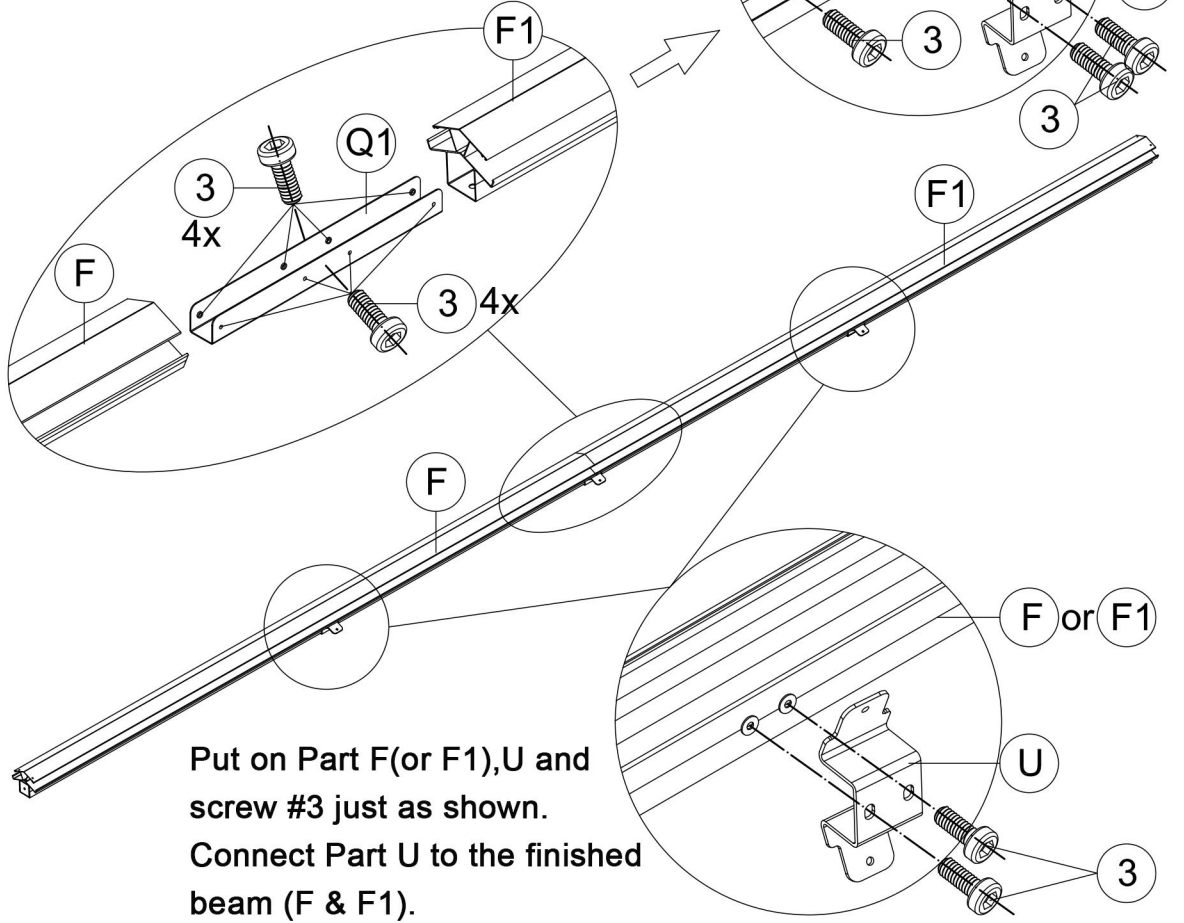


W 3x

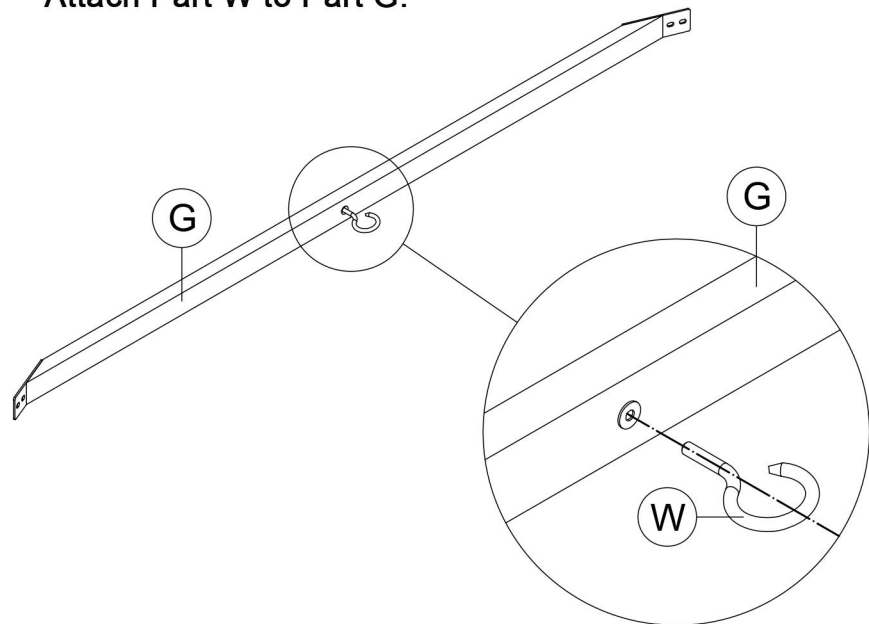


8

**<4>** Put on Part F,F1 and Q1 screw #3 just as shown. Connect Part F & F1 with Part Part Q2.



**<5>** Attach Part W to Part G.





M6x16

3 16x



M6x15

7 32x

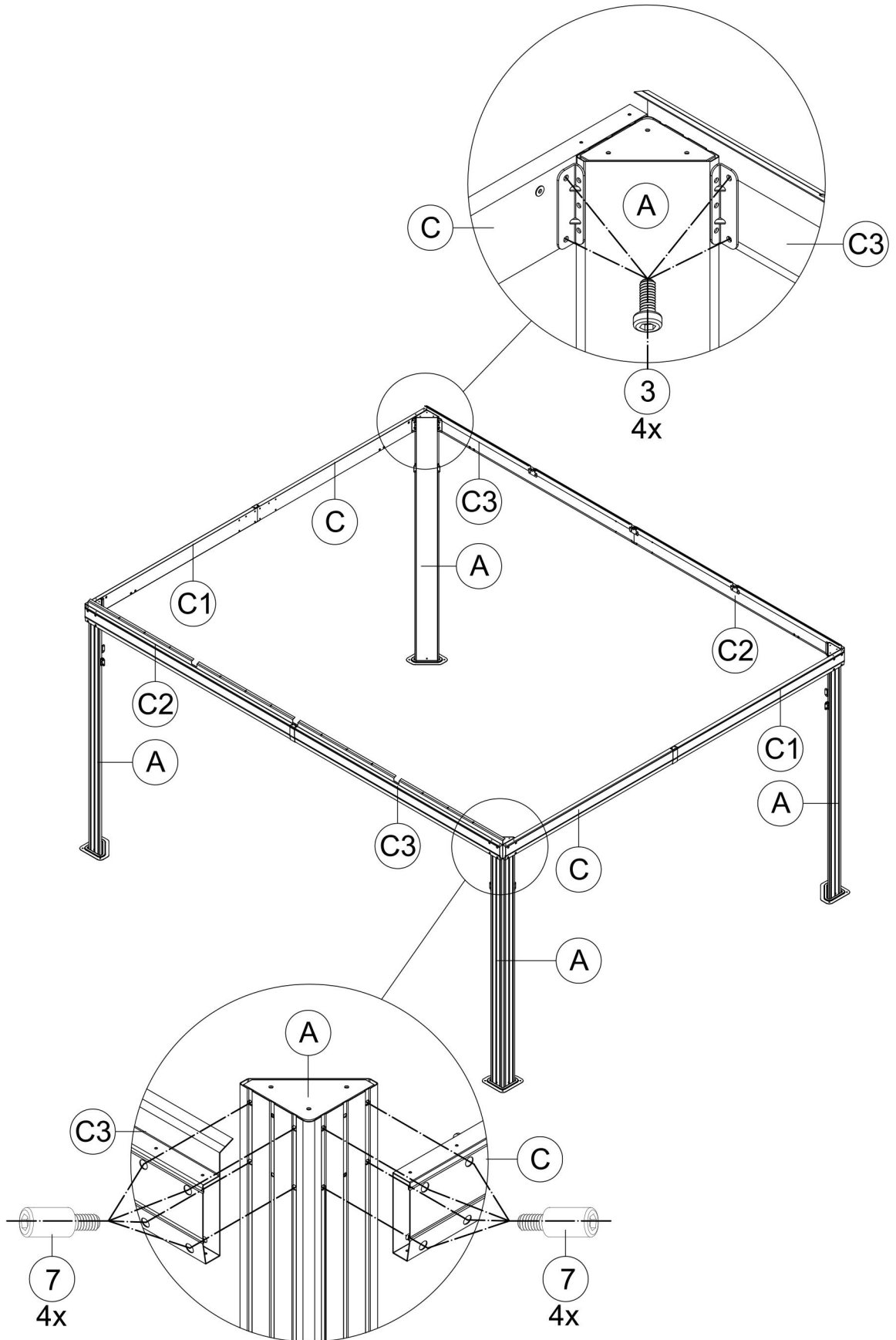
S4 S6



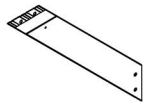
10 1x

<6>

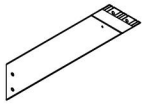
Put on Poles (Part A) & Beams (C,C1,C2,C3) and screws #3,#7 just as shown. Connect Part C & C3 to Part A. Replicate for 4 times.



9



N 4x



N1 4x



R1 4x



M6x16

3 32x



ST5x13

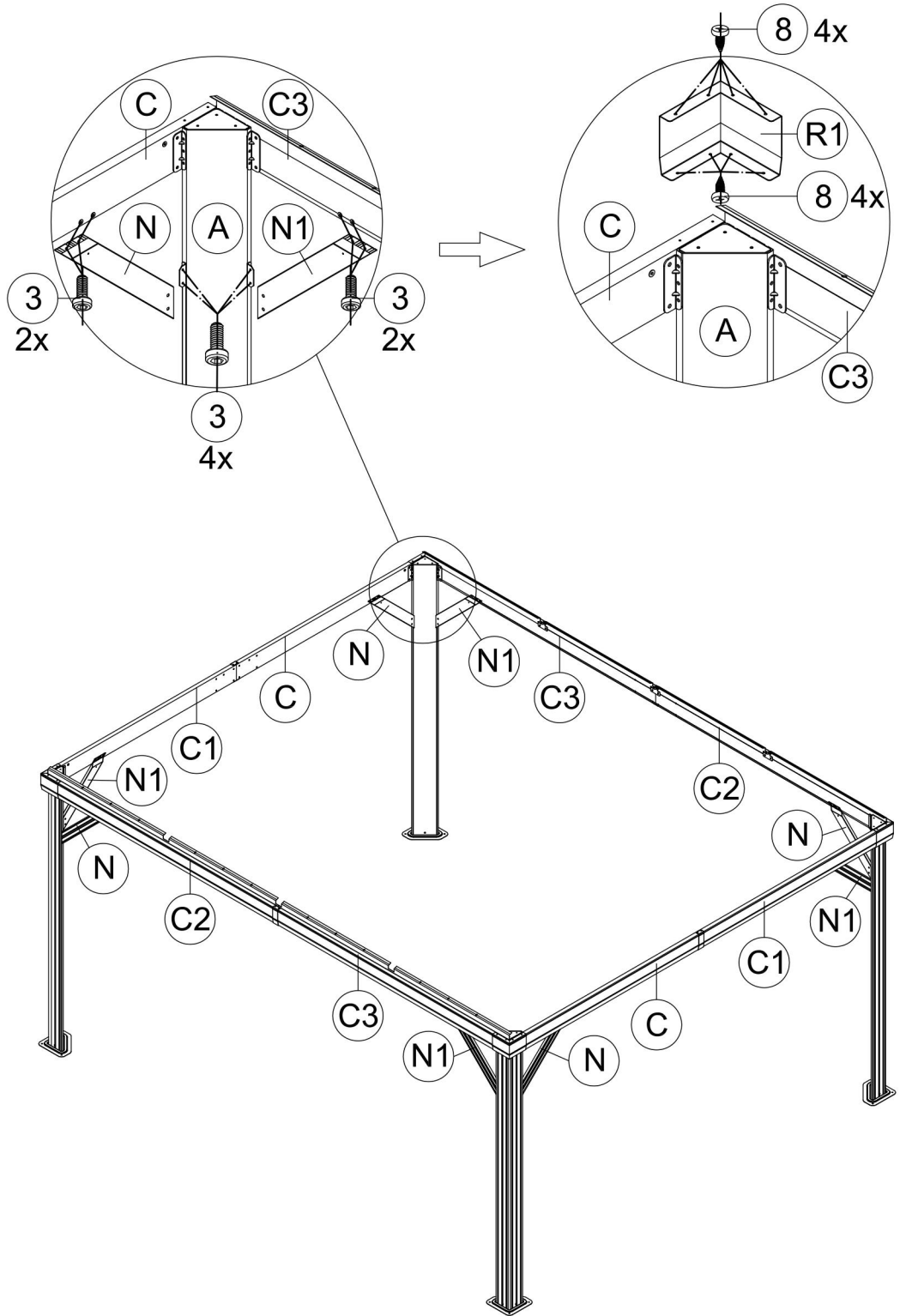
8 32x

S4



10 1x

<7> Connect the frame with Part N & N1 using screws #3.  
Then finish connecting beams with Part R1 using screws #8 just as shown in the diagram.





M6x16

3 12x

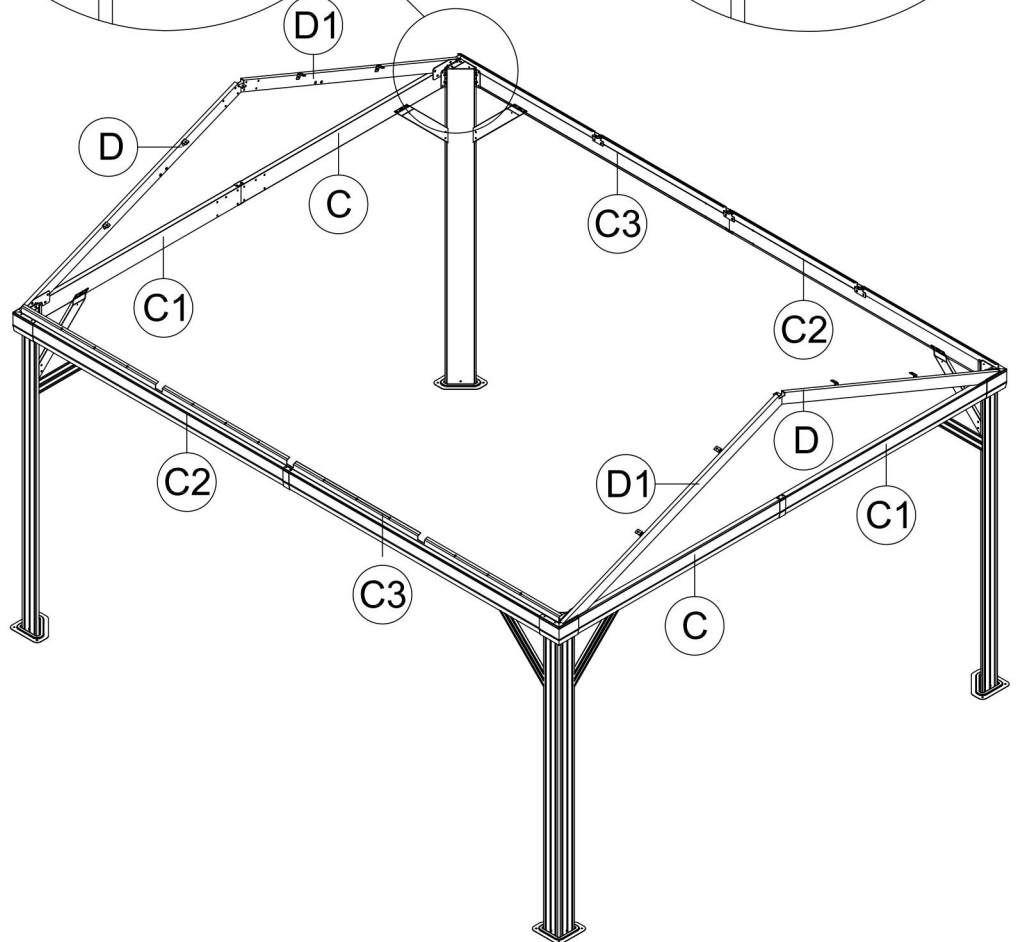
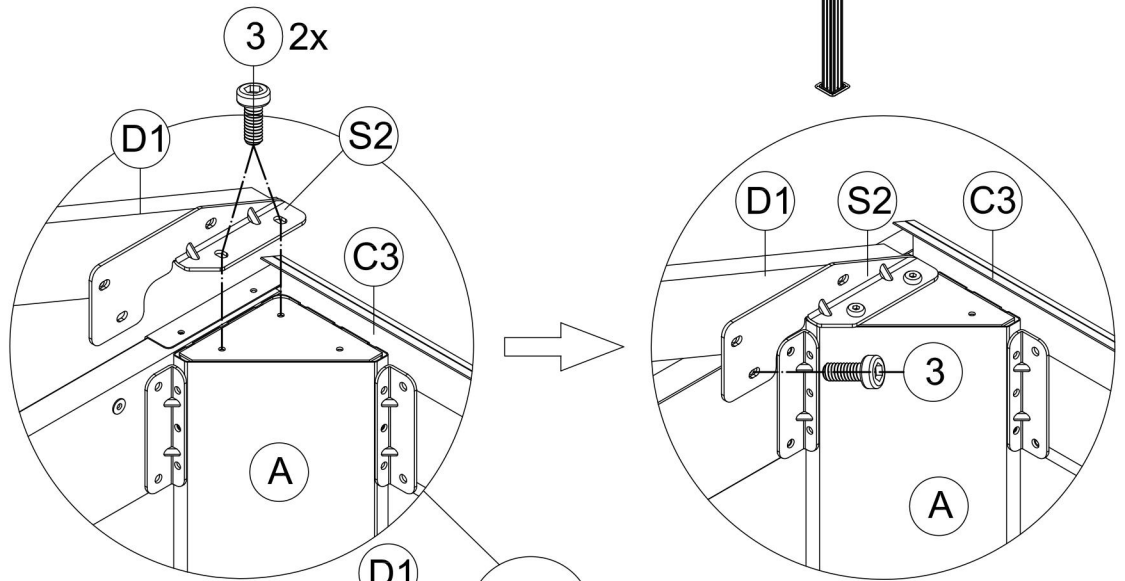
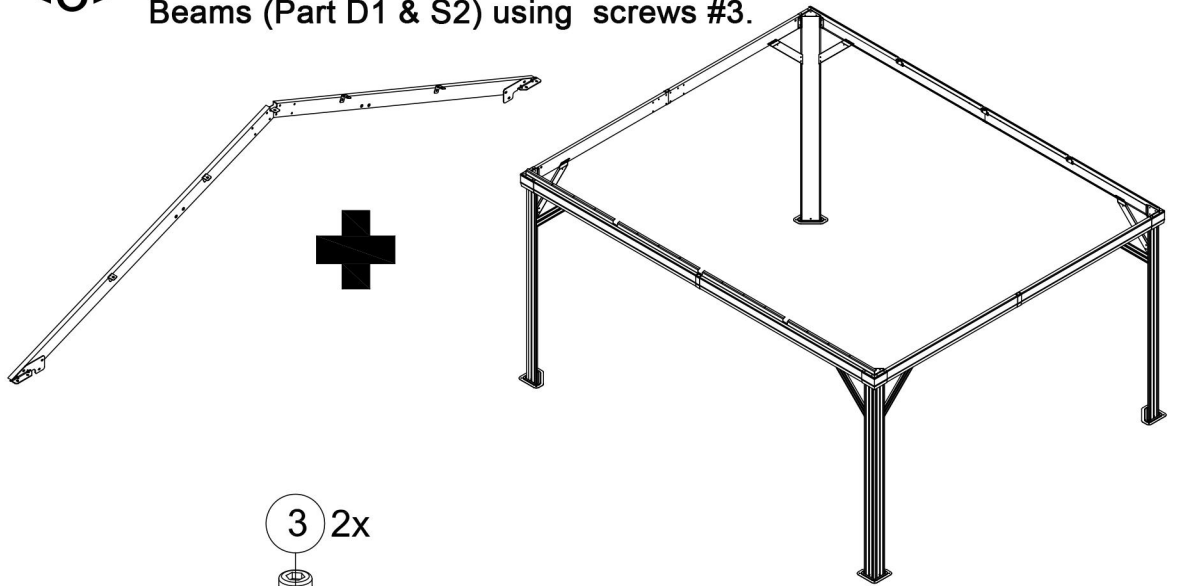
S4

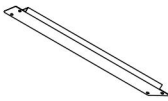






10 1x

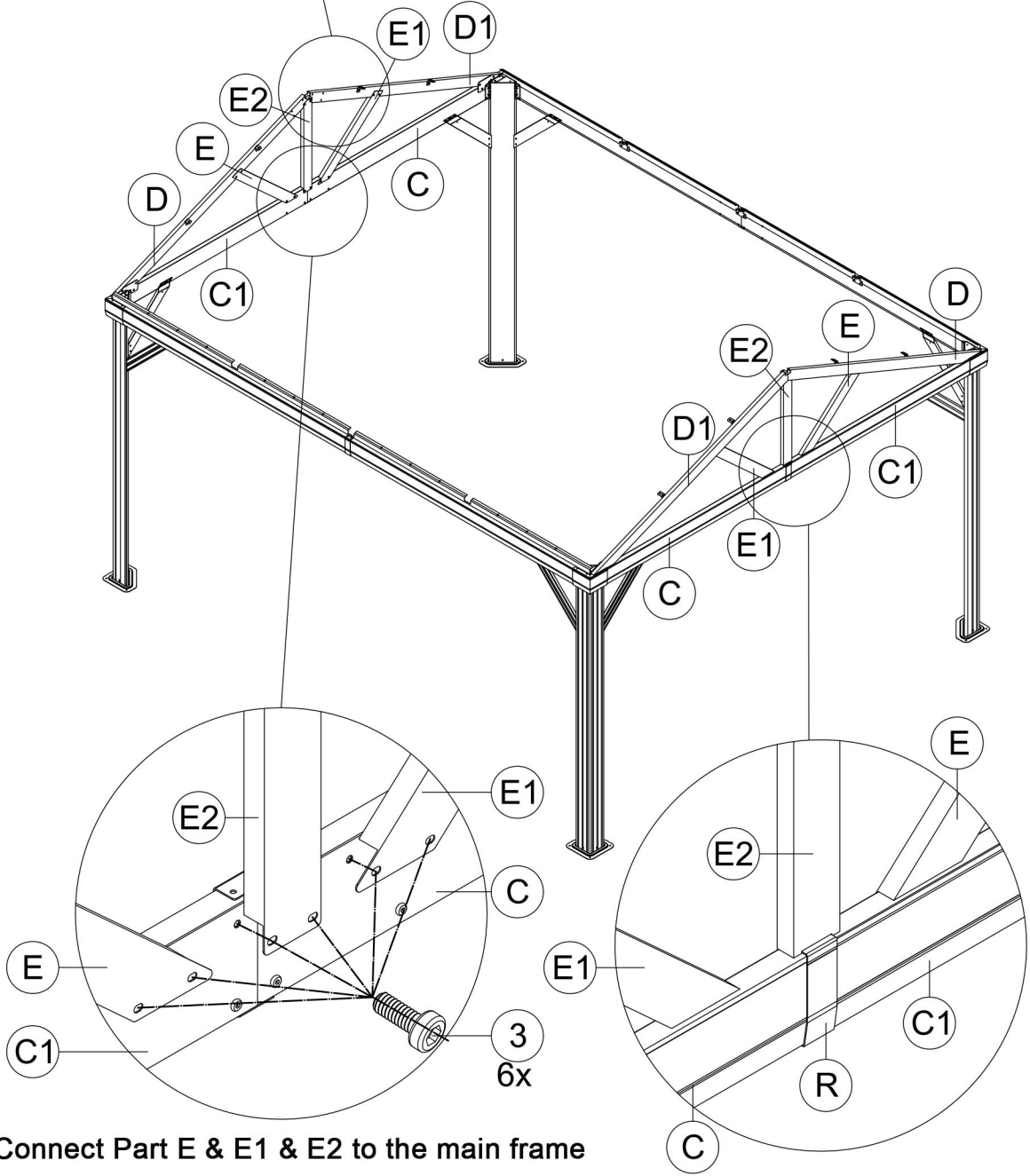
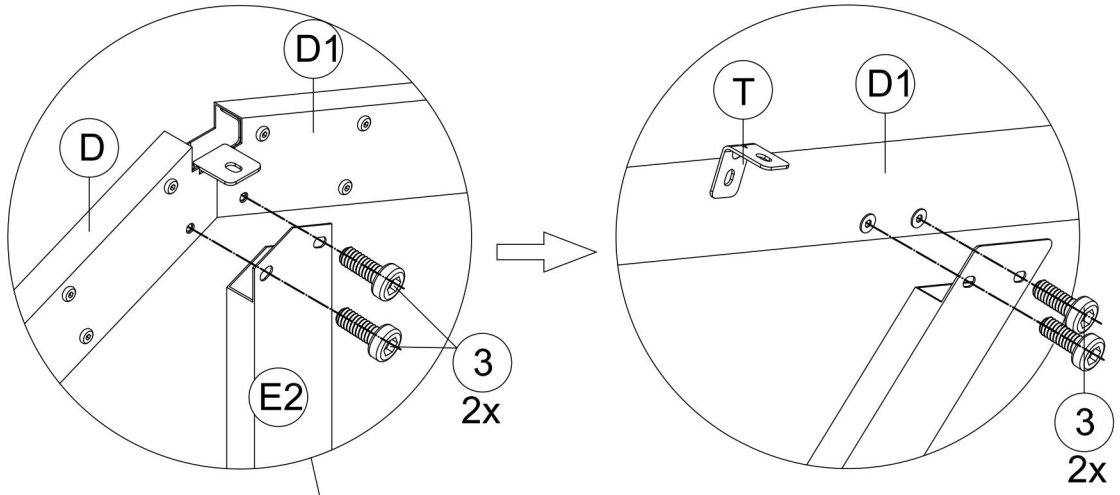
<8>

Just as shown in the diagram below, connect Poles(Part A) and Beams (Part D1 & S2) using screws #3.



-  E 2x
-  E1 2x
-  E2 2x
-  M6x16  
3 24x
-  S4  
10 1x

**<9>** Connect Part E2 to the Support Bar (Part D & D1) using screws #3 just as shown in the diagram.



Connect Part E & E1 & E2 to the main frame (Part C1 & C) using screws #3 just as shown in the diagram above.



M6x16

3

2x

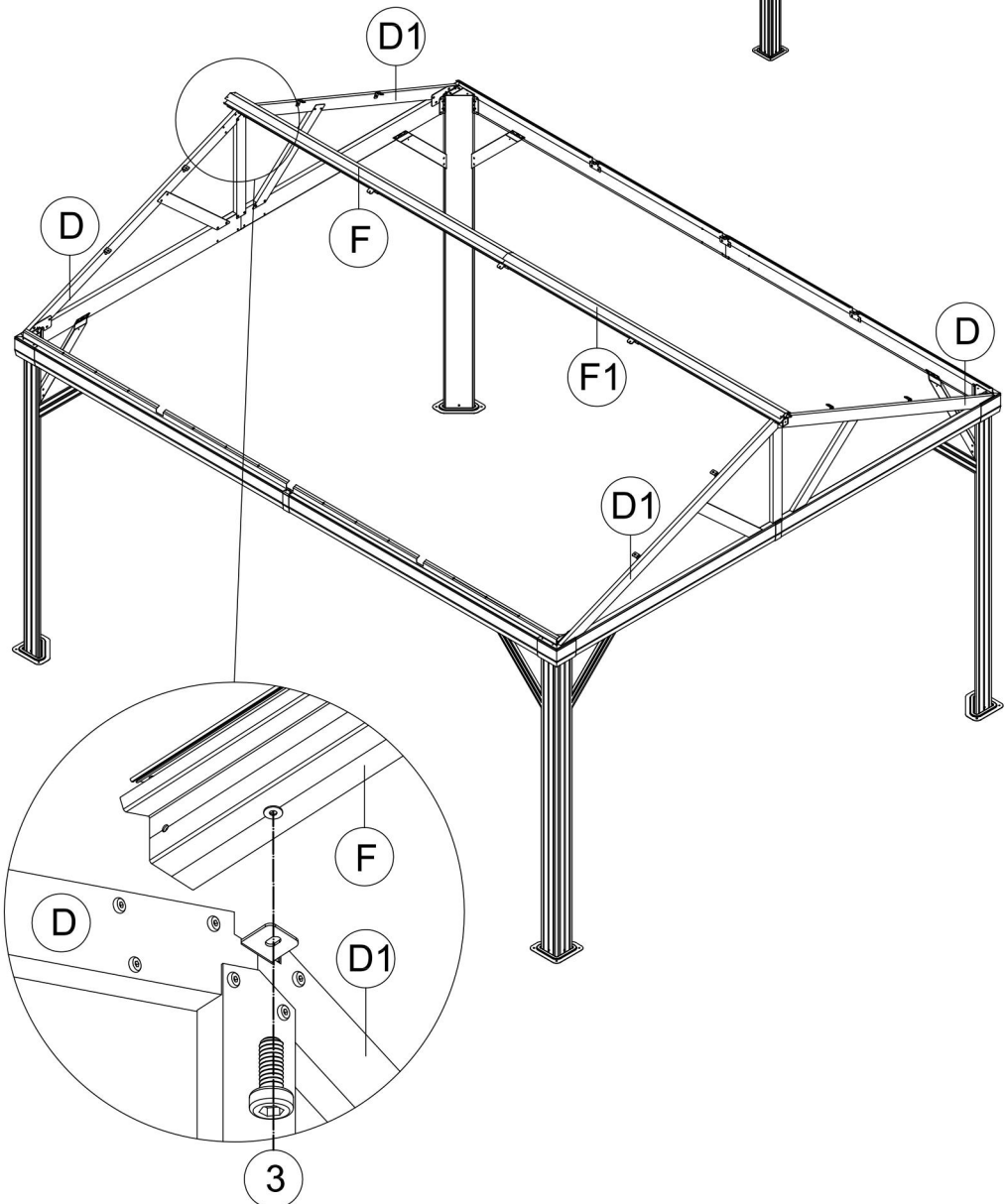
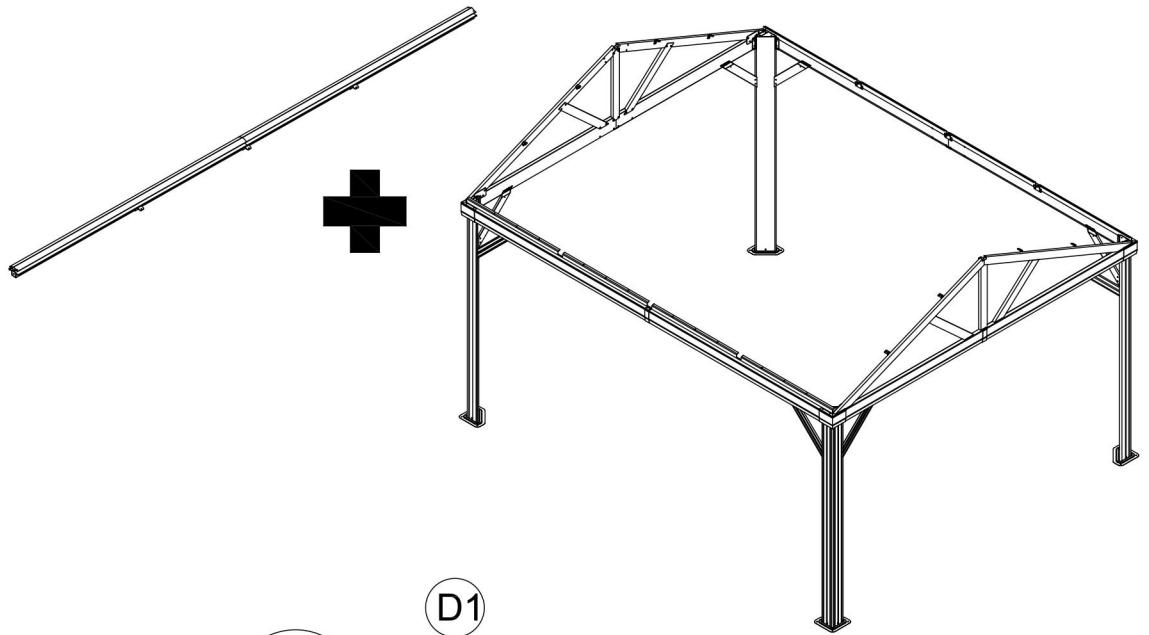
S4

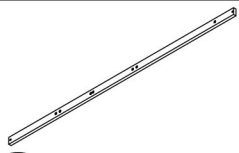


10

1x

<10> Attach Part F to the main frame using screws #3 as shown below.





H 6x



M6x10

2 6x



M6x16

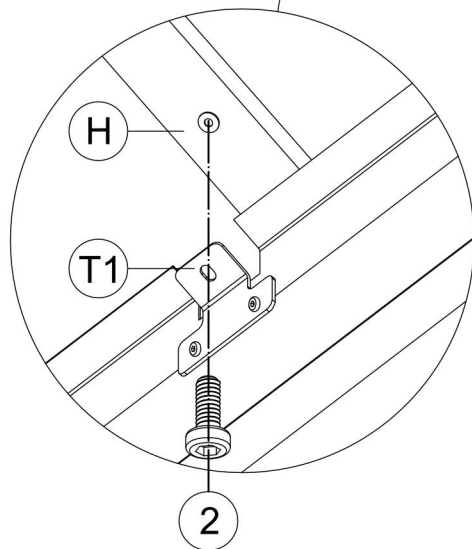
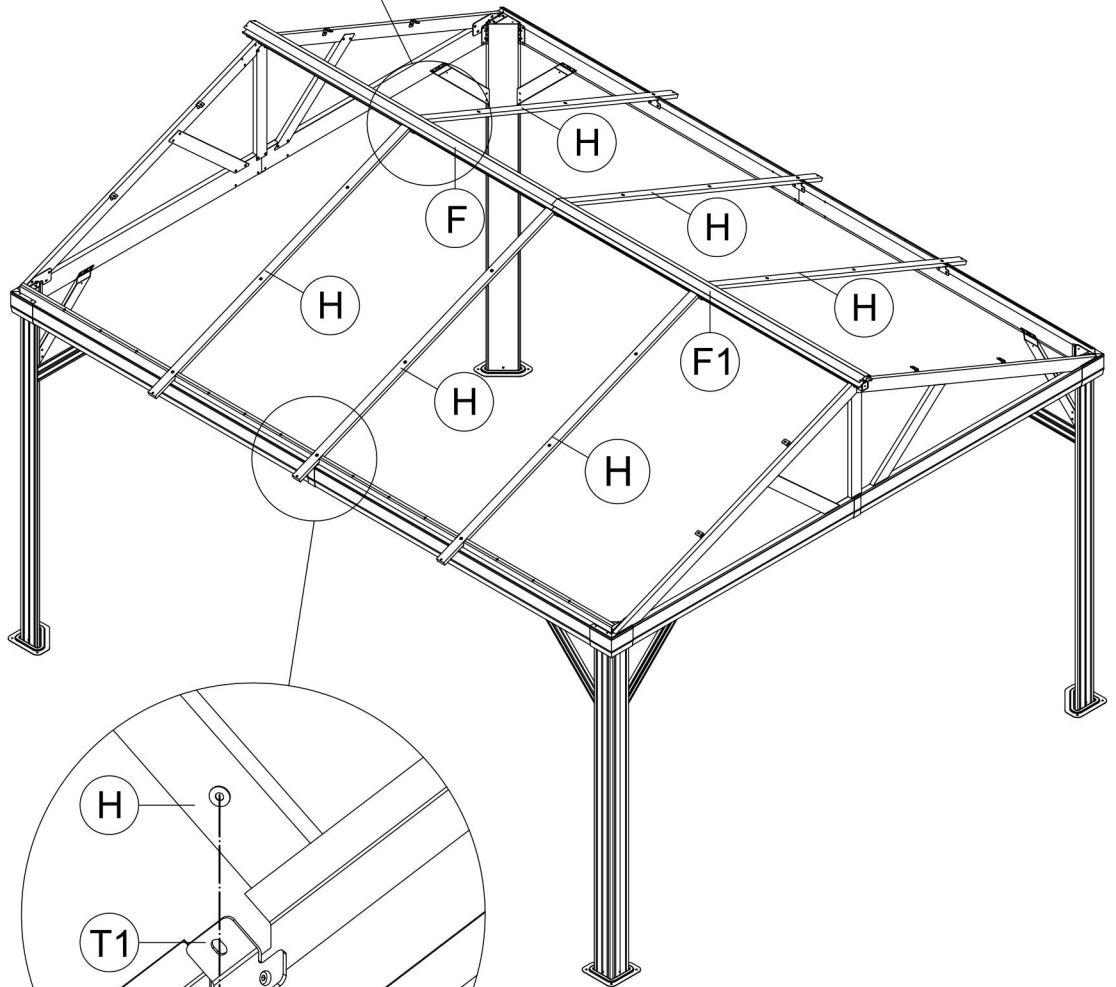
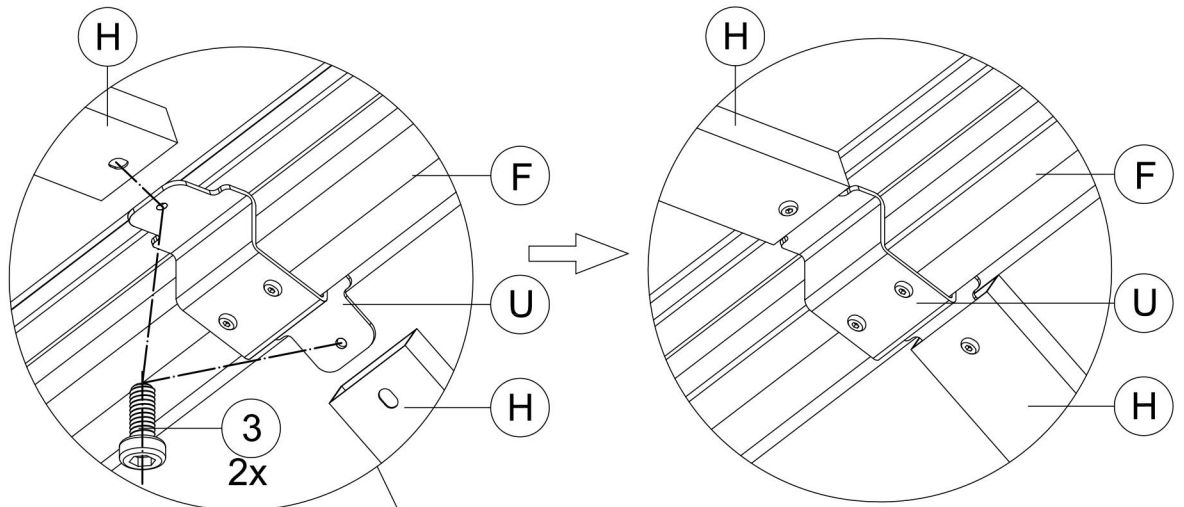
3 6x



S4

10 1x

**<11>** Put on Part H,F,U,H and screws #3 (2 PCS) just as shown in the diagram. Then connect 2 Parts H to Part F using Part U & screws #3.



Attach Part T1 to the Middle Beam (Part H) using screws #2.



M6x16

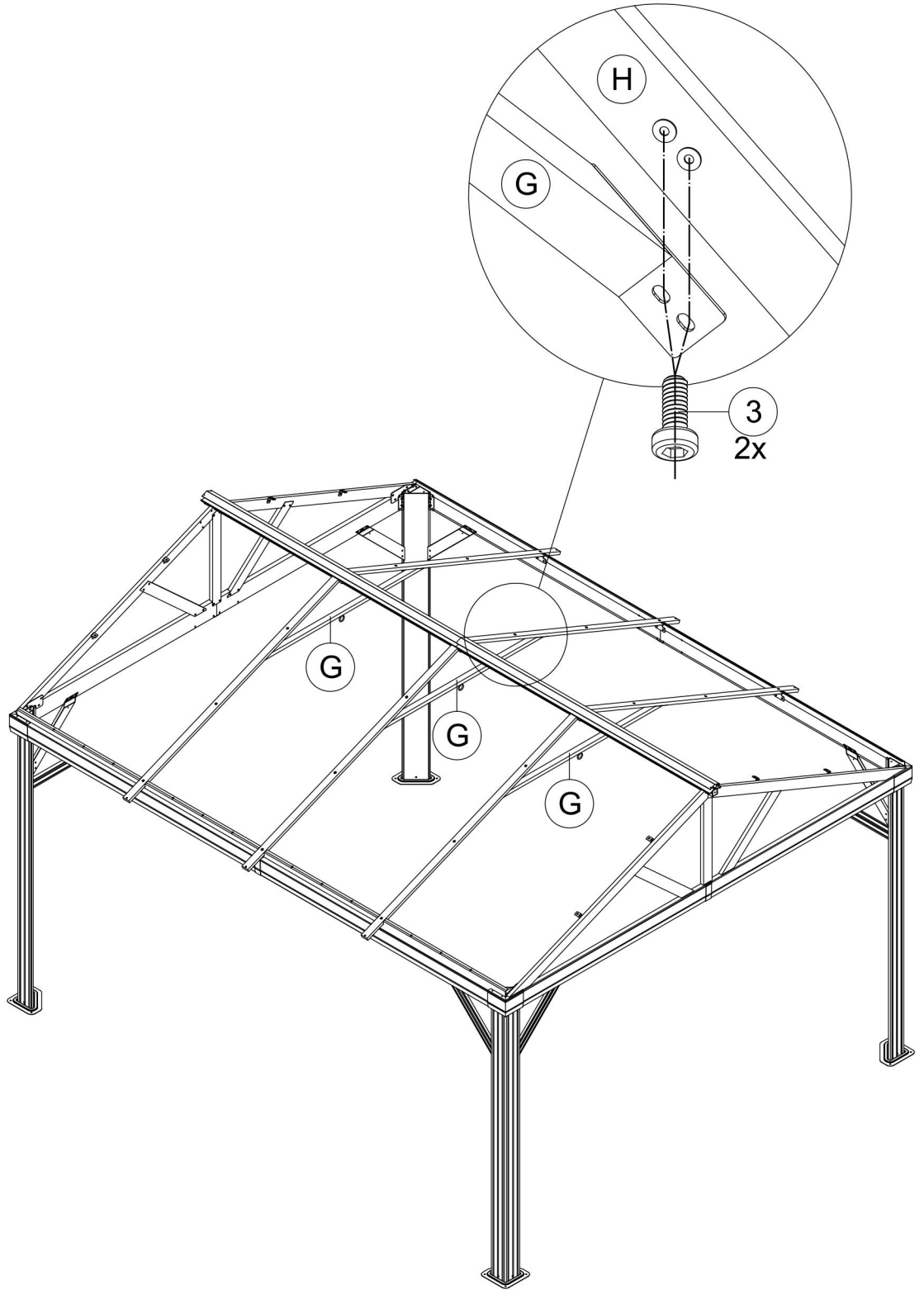
3 12x



S4

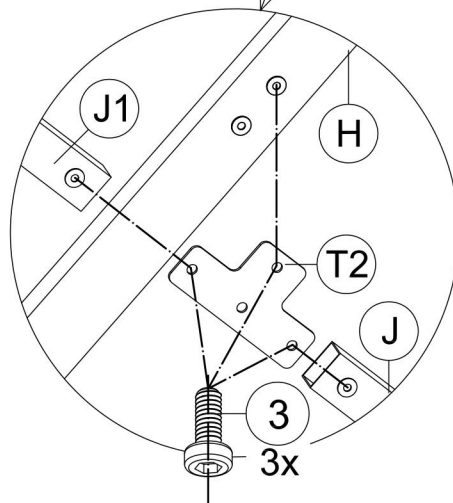
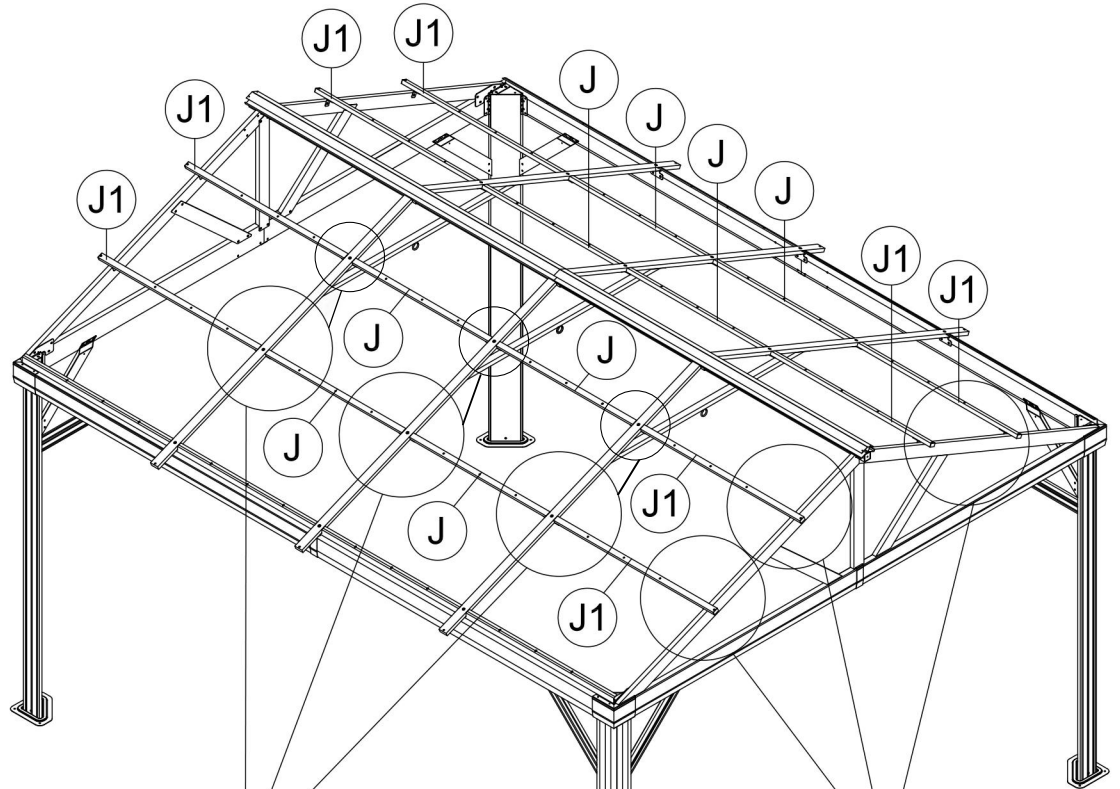
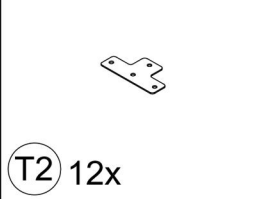
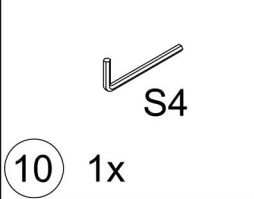
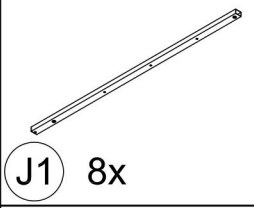
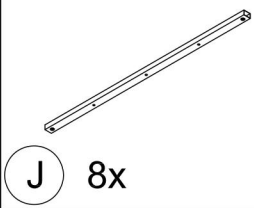
10 1x

<12> Connect Part G to the Roof Support Bar (Part H) using screws #3 (2 PCS) as shown below.

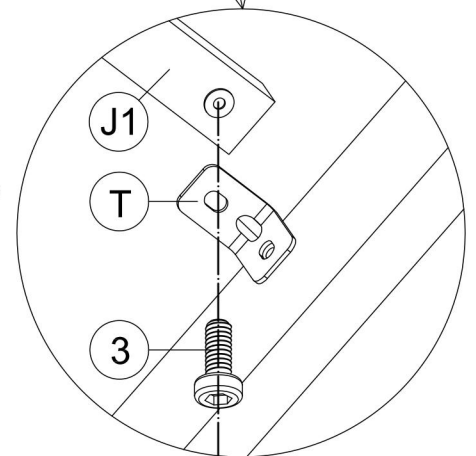




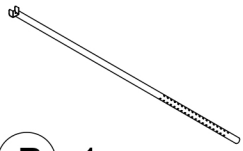
<13> ⚠ Please Note: remember to wear gloves.



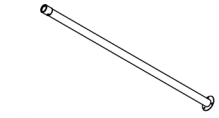
Put on Part J1,H,T2,J and screws #3 as shown above. Then connect Part J1 & J to Part H using Part T2 & screws #3(3 PCS).



Put on Part J1,T and screws #3 as shown above. Then attach Part J1 to the Corner Roof Bar (Part D & D1) using screws #3 from bottom to top through Part T.



P 1x



P1 1x

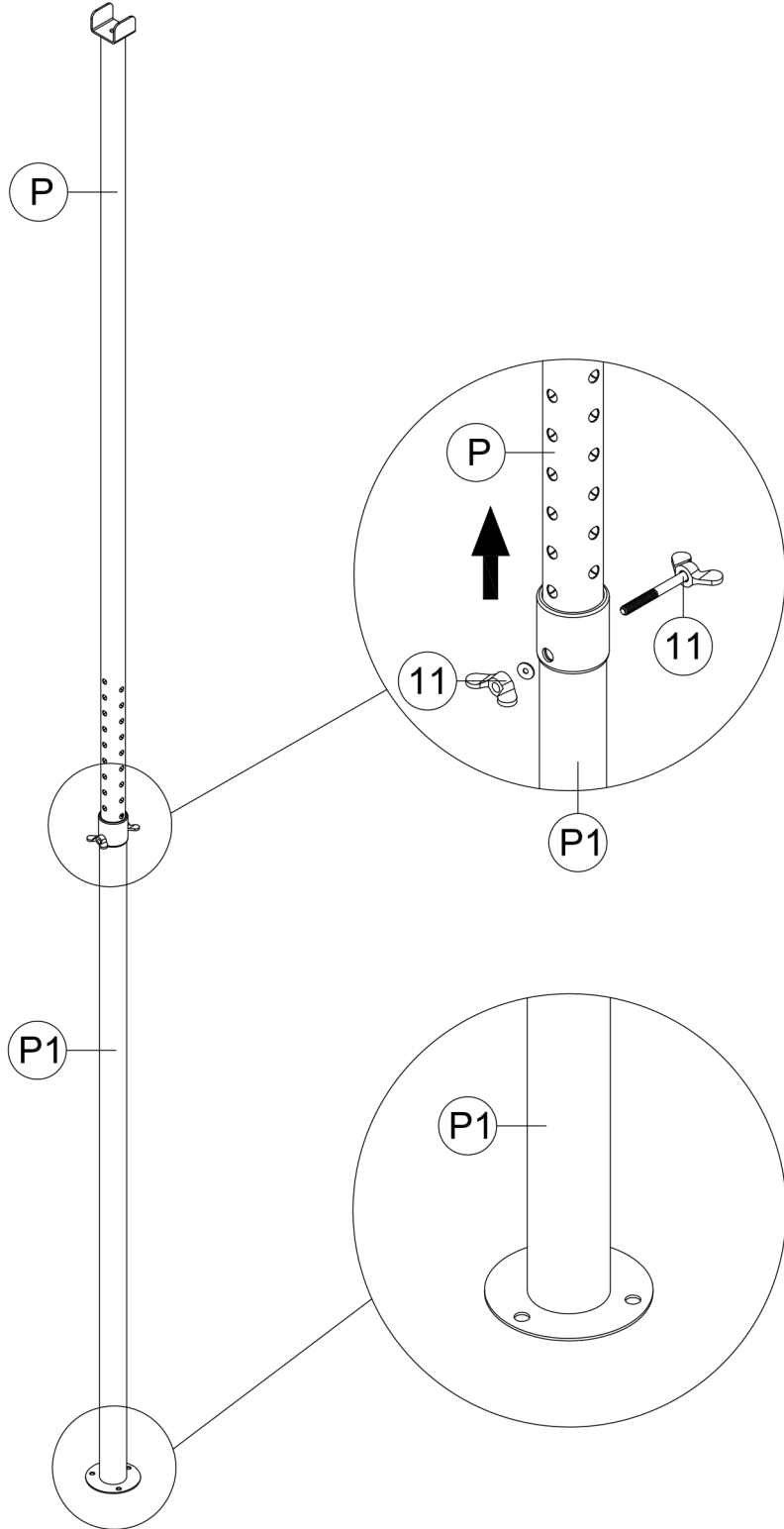


11 1x

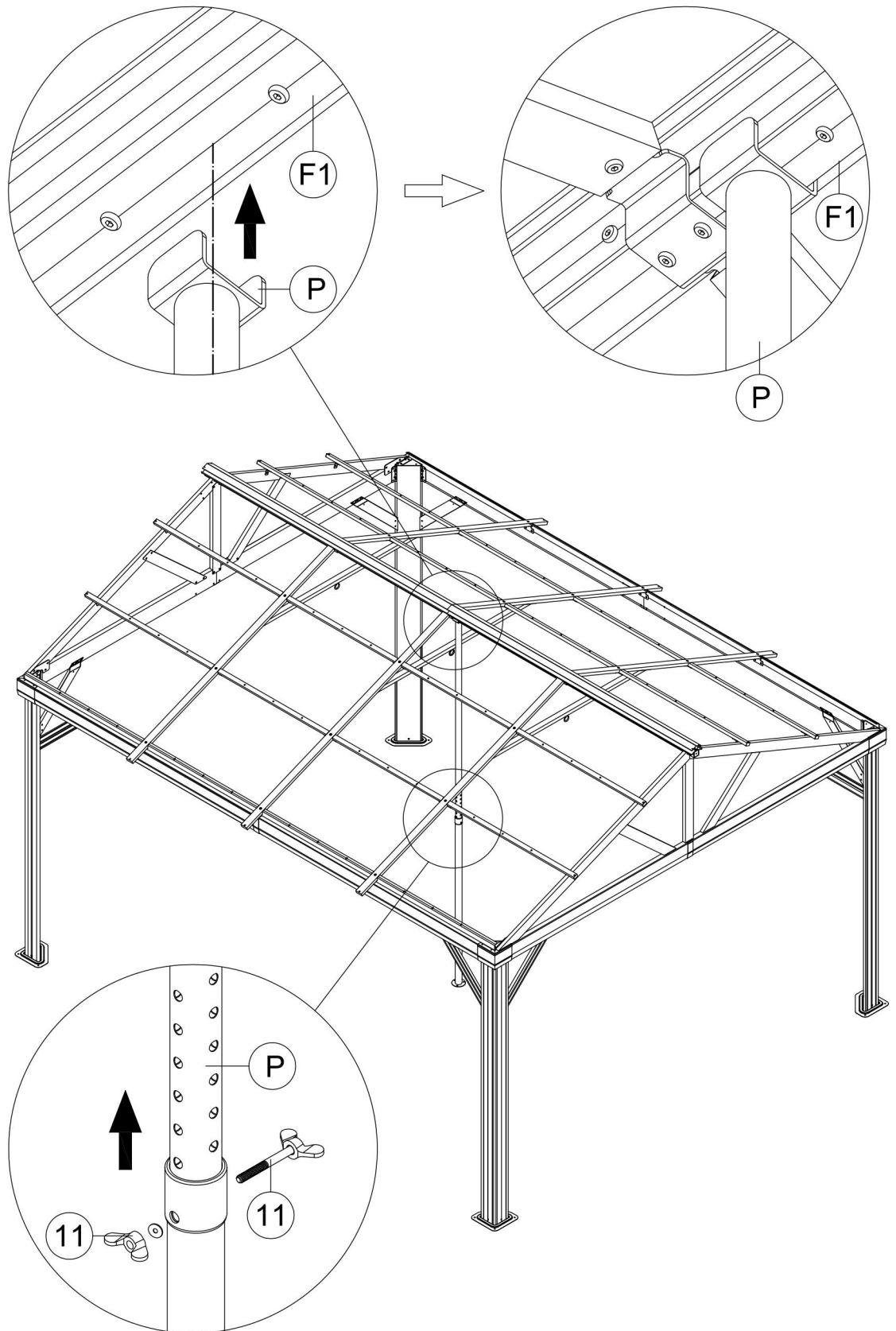
# <14> Connect Part P to Part P1 using screws #11 as shown below.



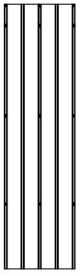
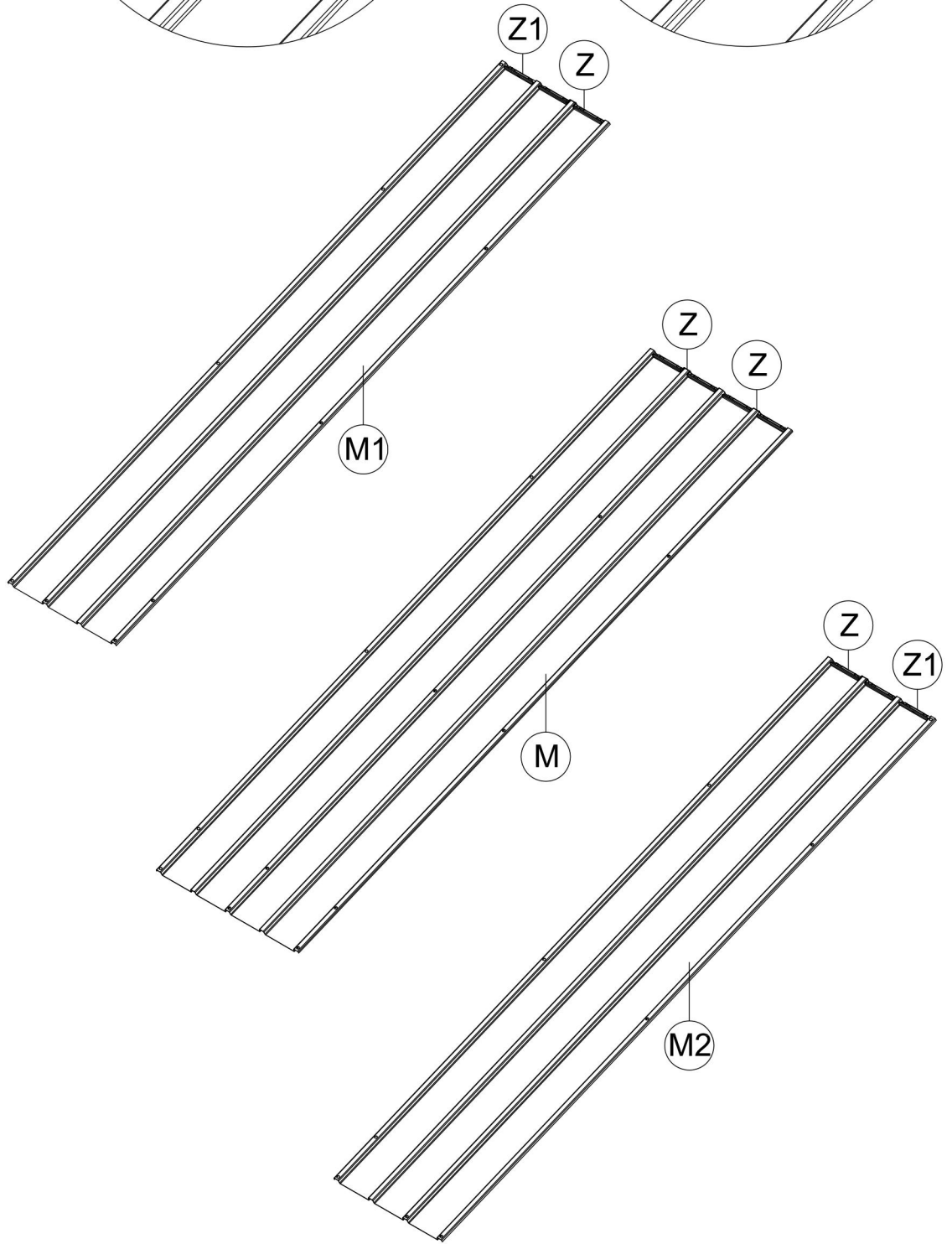
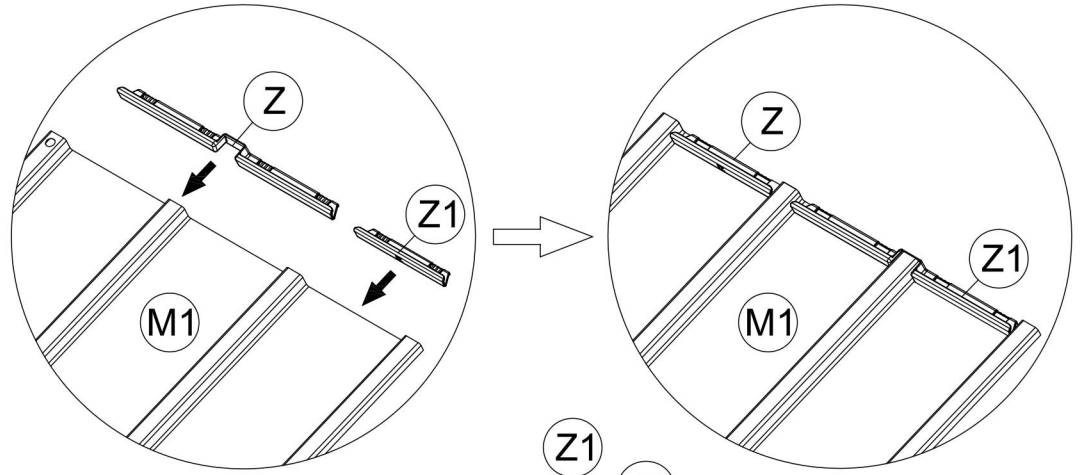
Please Note: Parts P & P1 are easy to slide, please wear gloves when installing. (Part P&P1 can increase the Weight capacity of the metal top. It's especially necessary to use in heavy rain and snow. At ordinary times we suggest you choose to put it away.)



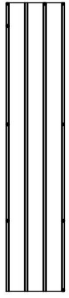
<15> Connect Part P to Part F1 as shown below.



**<16>** Please wear gloves. Then connect Part Z & Z1 to the Roof Panels (Part M, M1, M2) respectively as shown below.



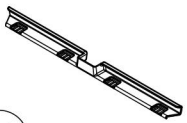
M 14x



M1 2x



M2 2x



Z 32x



Z1 4x

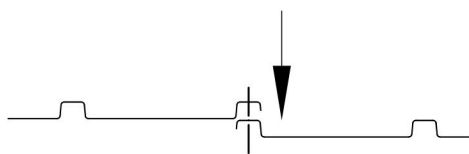
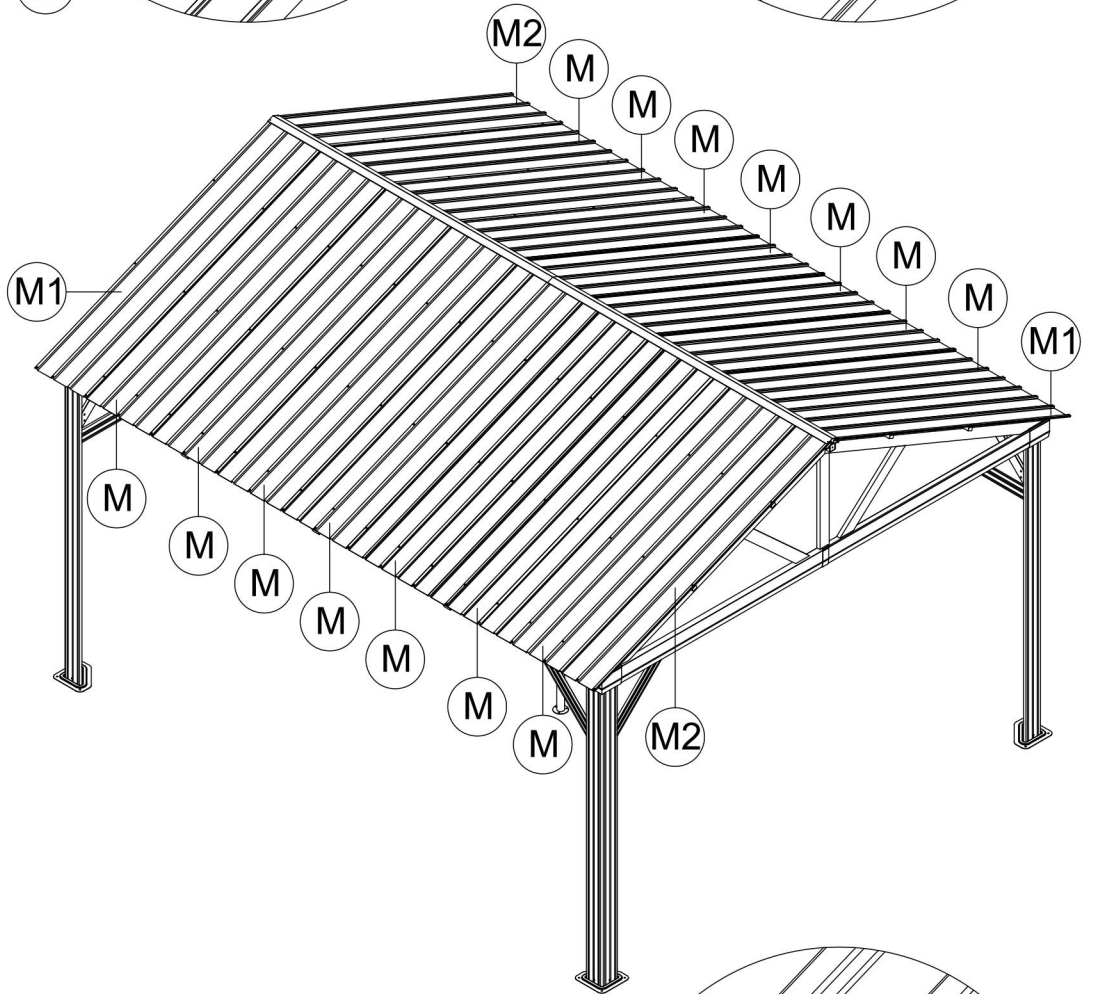
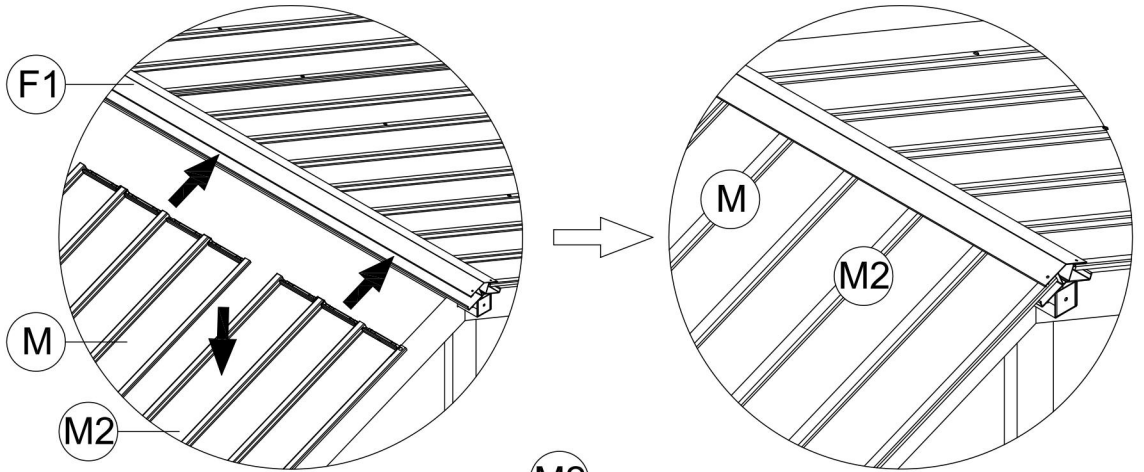


X 2x

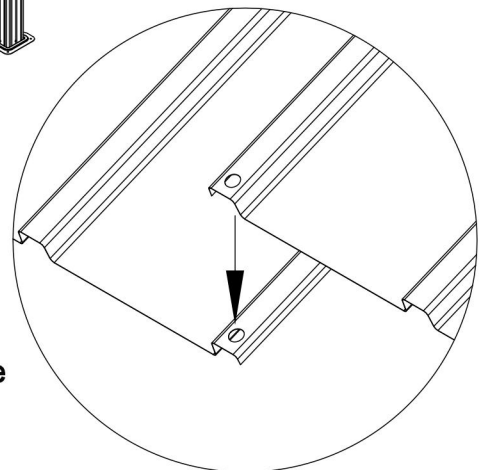


X 2x

<17> Please wear gloves.  
Then push Parts M,M1,M2 to the Top Roof (Part F1) as shown below.

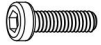


**Tips:** Please place the Roof Panels  
in the position and stacking mode  
as shown in the diagram.





Y 90x



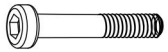
M6x20

4 6x



M6x28

5 24x



M6x45

6 60x



9 84x

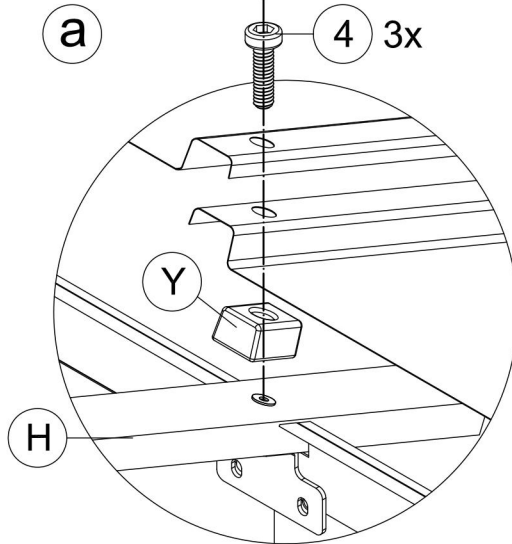


S4

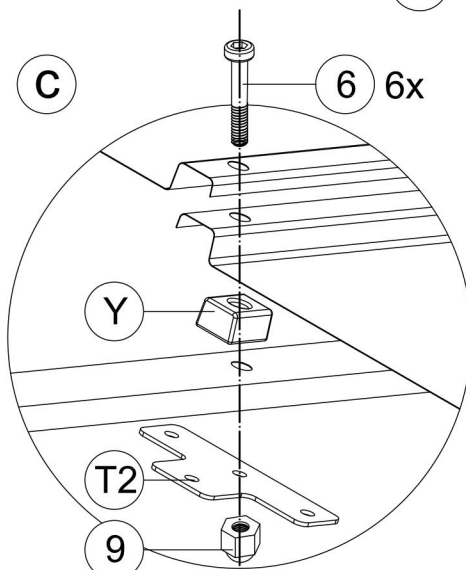
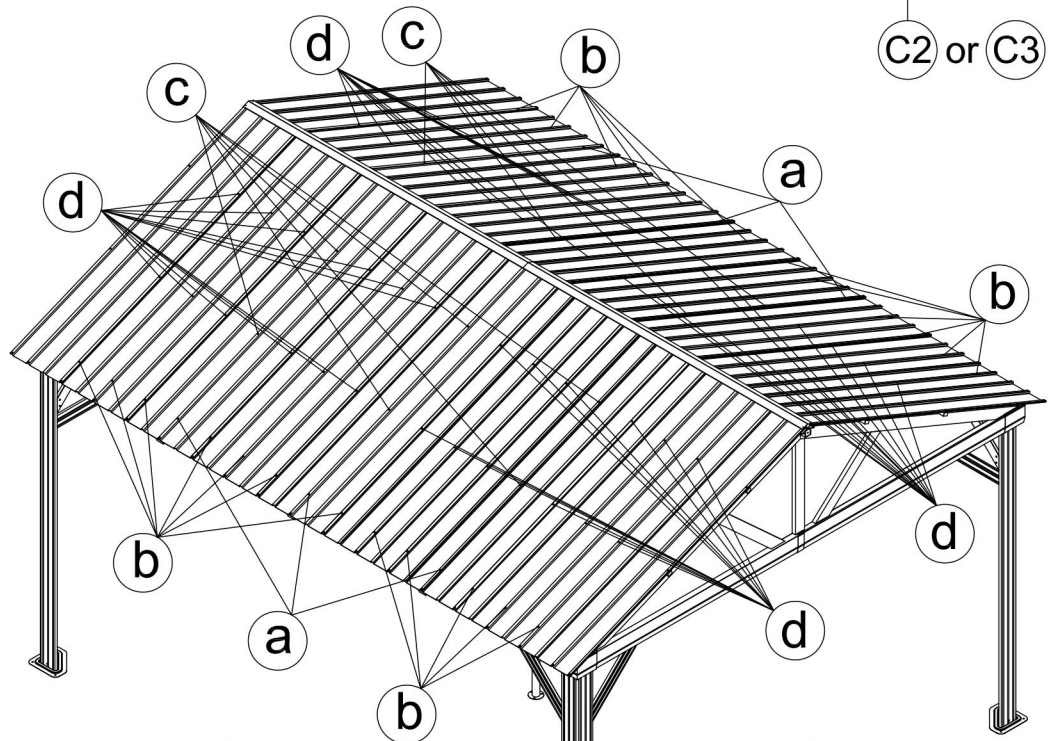
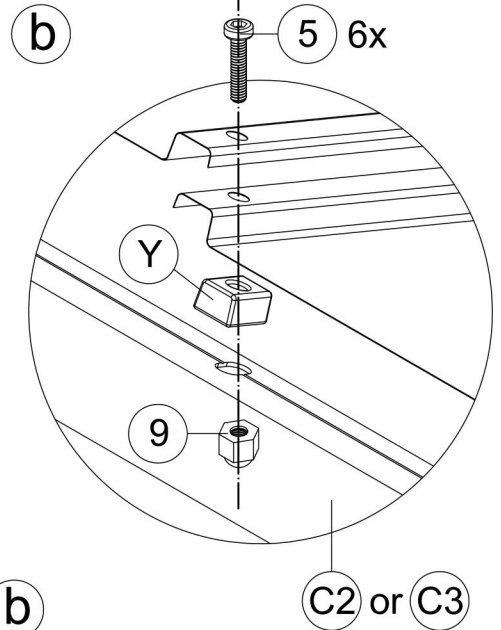
10 1x

21

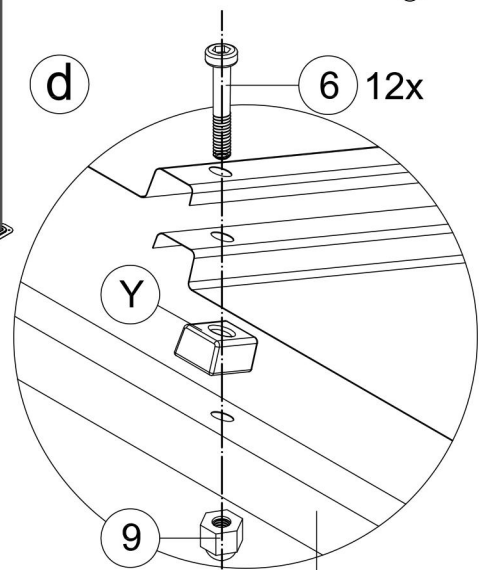
**<18>** Step a: Affix Roof Panels to Part H with screws #4 (3 PCS) & Part Y as shown below.



Step b: Affix Roof Panels to Part C2 or C3 with screws #5 (6 PCS) & Part 9 & Part Y as shown below.

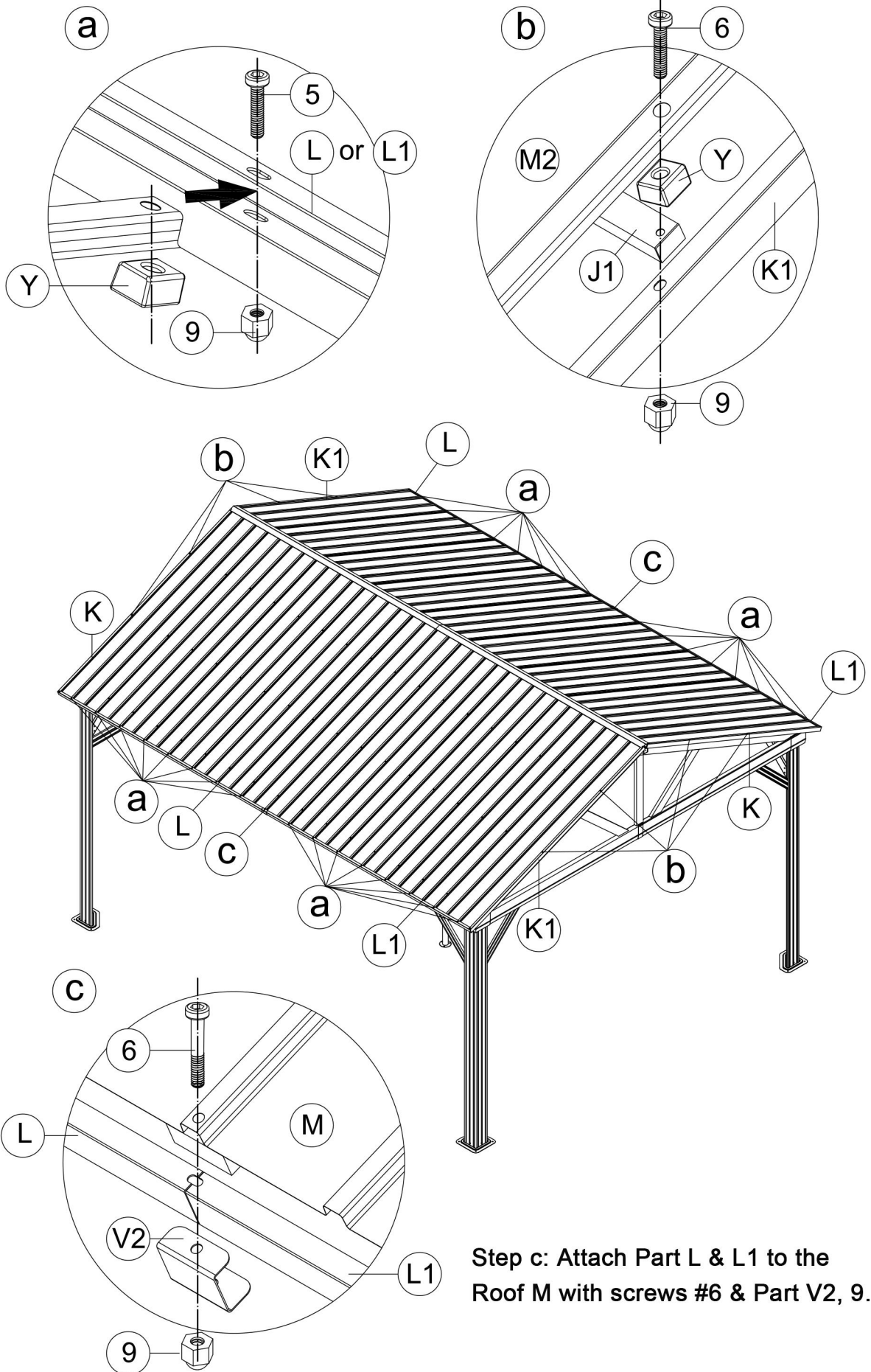


Step c: Affix Roof Panels to Roof Bar with screws #6 (6 PCS) & Part T2 & Part Y & Part 9 as shown.

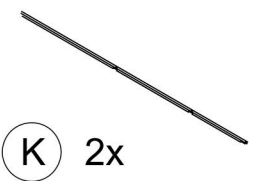


Step d: Affix Roof Panels to Part J or J1 with screws #6 (12 PCS) & Part Y & Part 9.

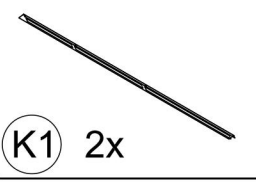
**<19>** Step a: Attach Part L or L1 to the Roof with screws #5 & Part Y, 9.  
 Step b: Attach Part K1 to Roof M2 with screws #6 & Part Y, J1, K1, 9.



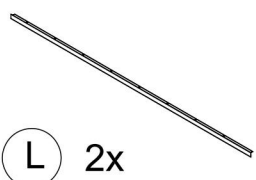
Step c: Attach Part L & L1 to the Roof M with screws #6 & Part V2, 9.



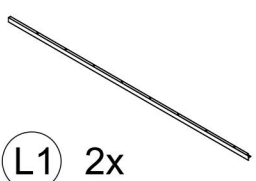
(K) 2x



(K1) 2x



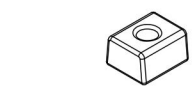
(L) 2x



(L1) 2x



(V2) 2x



(Y) 42x



(5) 32x  
M6x28



(6) 10x  
M6x45



(9) 42x



V 2x

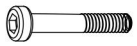


V1 4x



M6x16

3 2x



M6x45

6 4x



ST5x13

8 4x



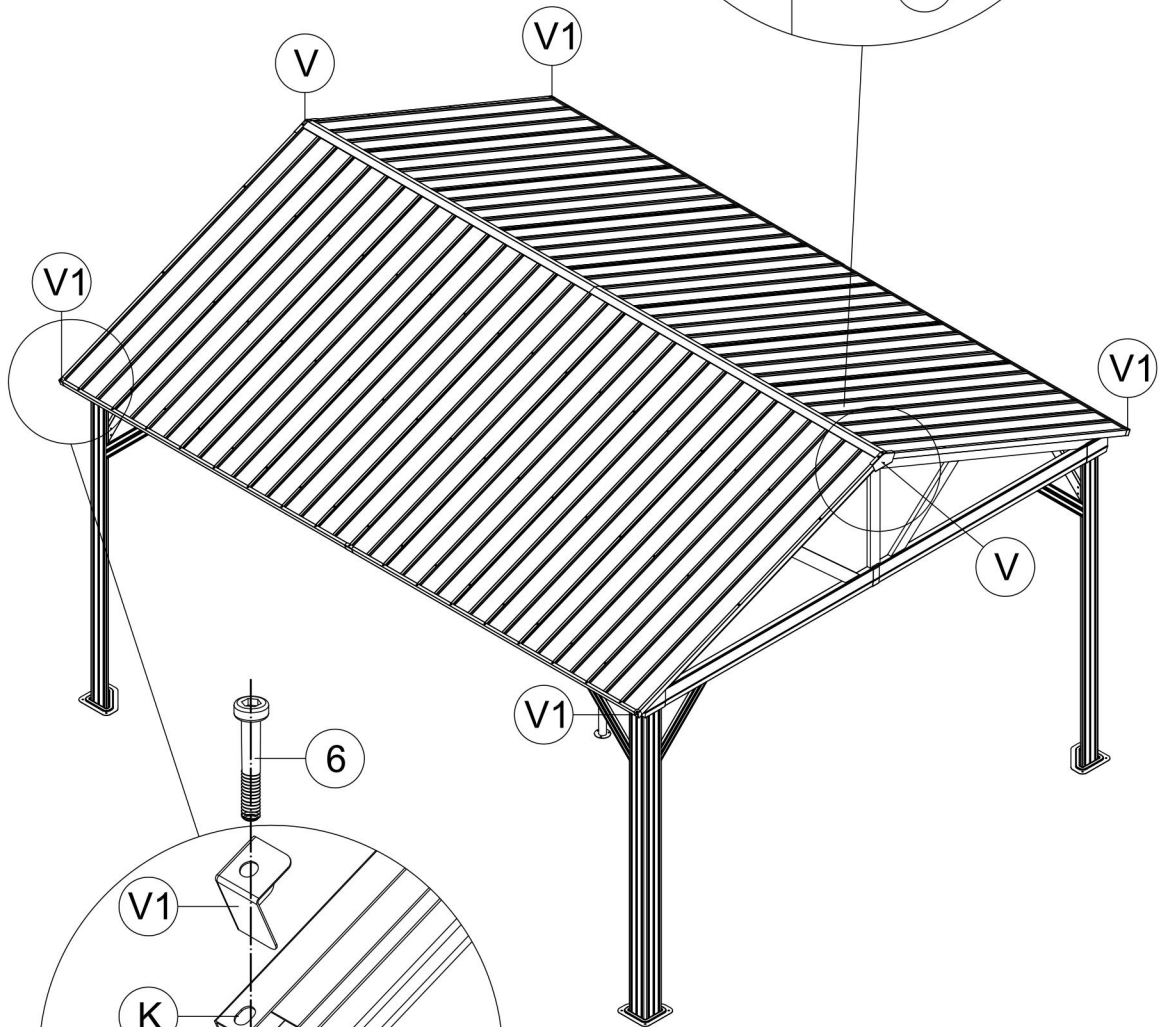
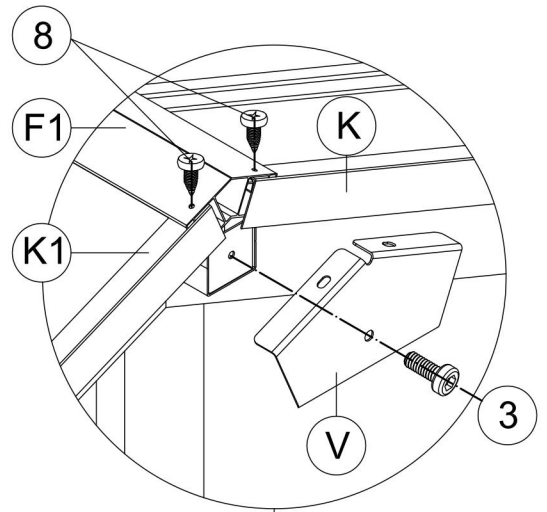
9 4x



S4

10 1x

<20> Connect Part V to the Top Roof Beam (Part K & k1 & F1) using screws #8 & #3.

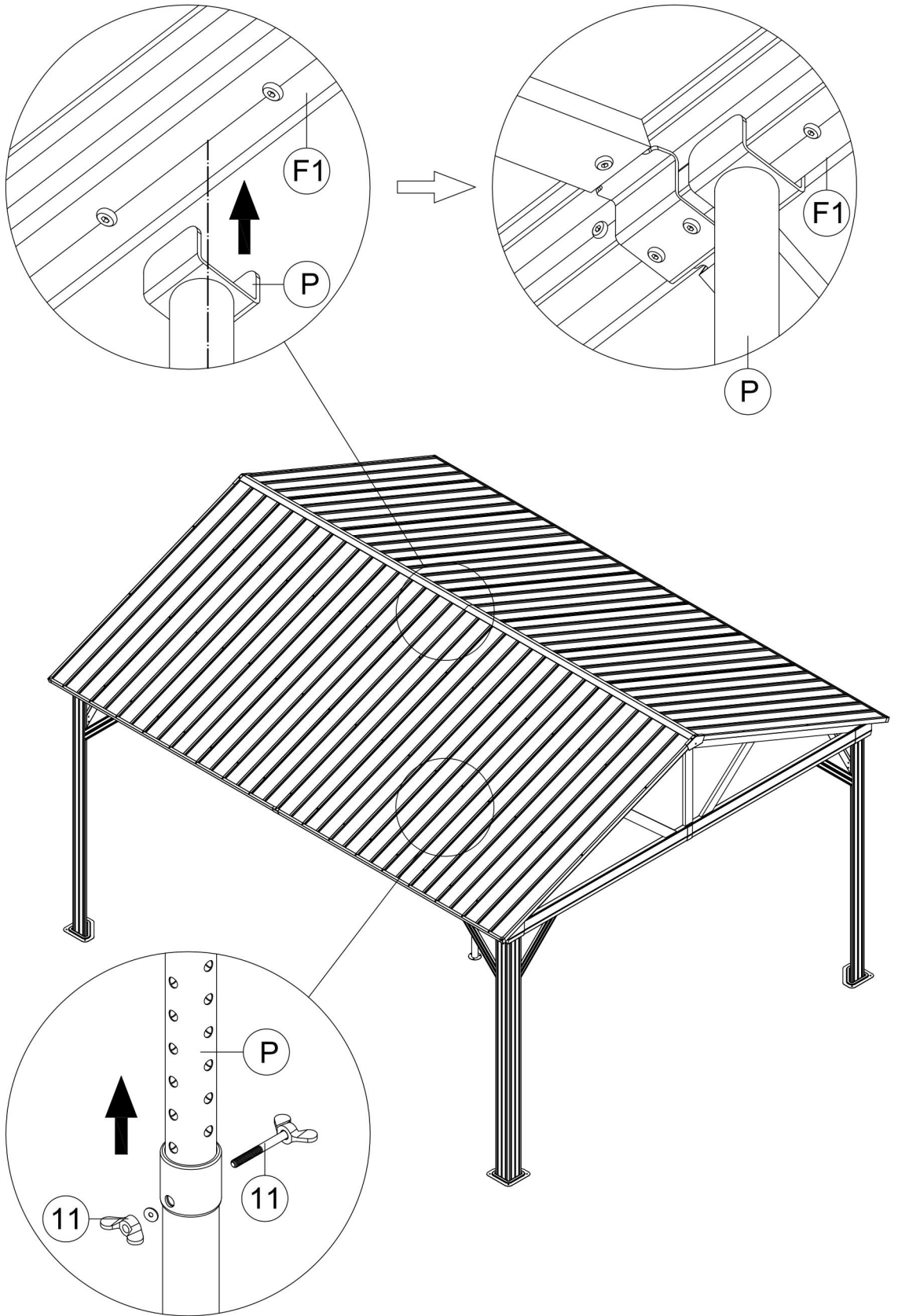


Put on screw #6, Part V1, Part K, Part M1, Part L and Part 9 as shown in the diagram. Then connect Part L & K with Part V1 & M1 using screw #6 & #9.



Connect Part P to Part F1 as shown below.

**<21>** (Part P&P1 can increase the Weight capacity of the metal top.  
It's especially necessary to use in heavy rain and snow.  
At ordinary times we suggest you choose to put it away.)





RESORT COMFORT IN YONR  
OWN BACKYARD

**Thanks for your purchase.**

At domi outdoor living, we believe in our products.

That's why we provide a 12-month warranty and

friendly, easy-to-reach after-sales service. So if you

have any questions about our product and assembly-

, please feel free to contact us. We will be here for you.

**Support:**  

email: [service@domioutdoorliving.com](mailto:service@domioutdoorliving.com)

Please tell us your order ID when contact.

Attach photos of damaged part for instant reply.