



12'×16' ALUMINUM LOUVERED GAZEBO

ASSEMBLY MANUAL



Missing part? Damaged? Contact us via email at
service@domioutdoorliving.com

READ ALL INSTRUCTIONS BEFORE USE

Warning & Attention

-This gazebo is not a toy. Children are not allowed to assemble or disassemble. Please take care of children, do not let them play around when assemble or disassemble.

-Adults only for assemble or disassemble this product.

-This product is constructed with heavy duty frame, please do not lean or climb before it finish assembling.

-Even though our hardtop gazebo is sturdy, please do not stand under the gazebo during a lightning storm.

-DO NOT use this gazebo if any parts show signs of instability or damage.



Two or more people are needed for assembly.



Find out and use the hex keys in the box.



One or more ladders are necessary.



A Phillips screwdriver is required.



Please wear protective glove before assembly.



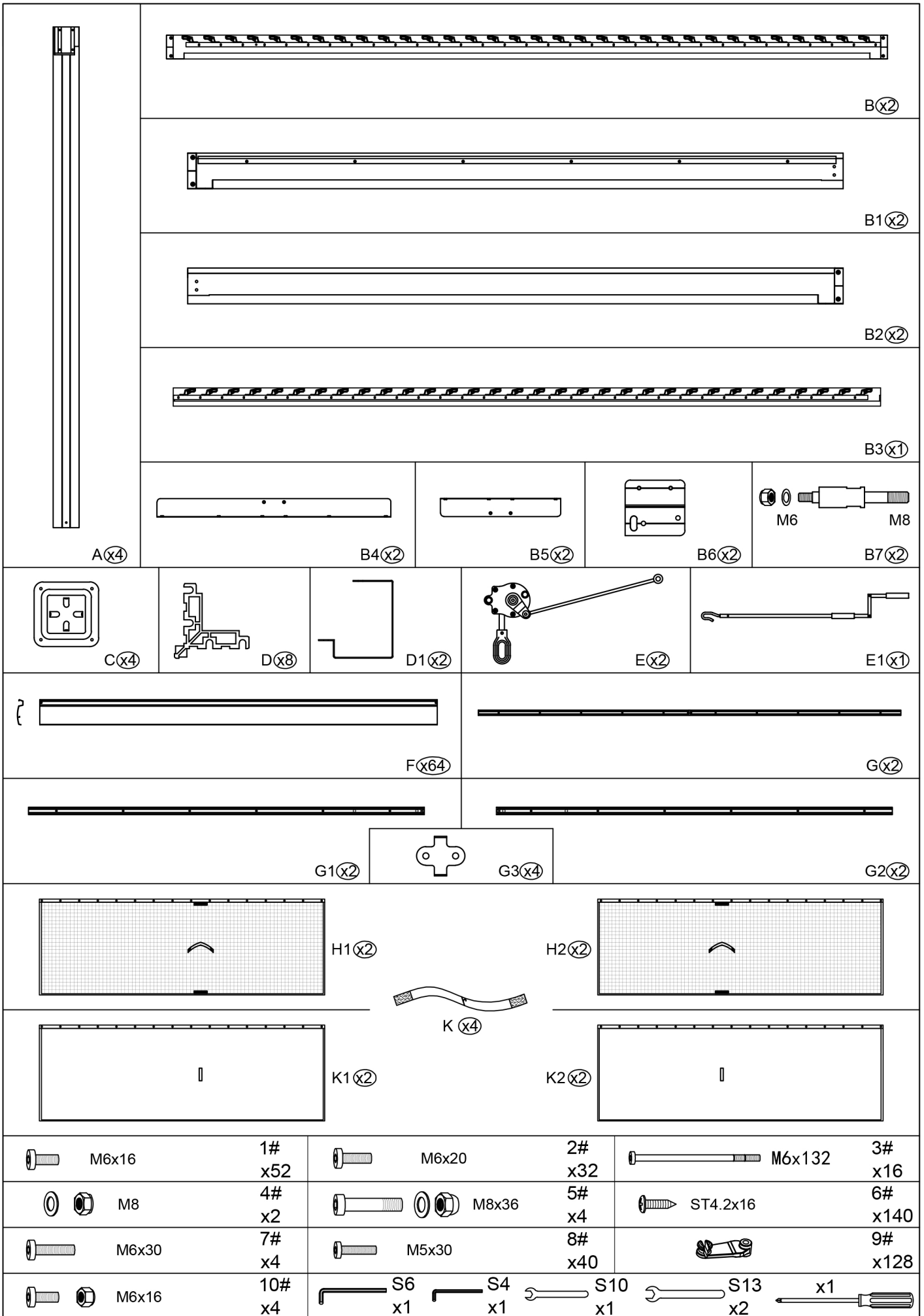
Please don't fully tighten the screws prior to complete assembly.



Please wear a safety hat.



You may need prepare a drill.

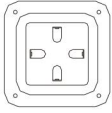


Step 1: Connect Part A and Part C with

screws 1# as shown.



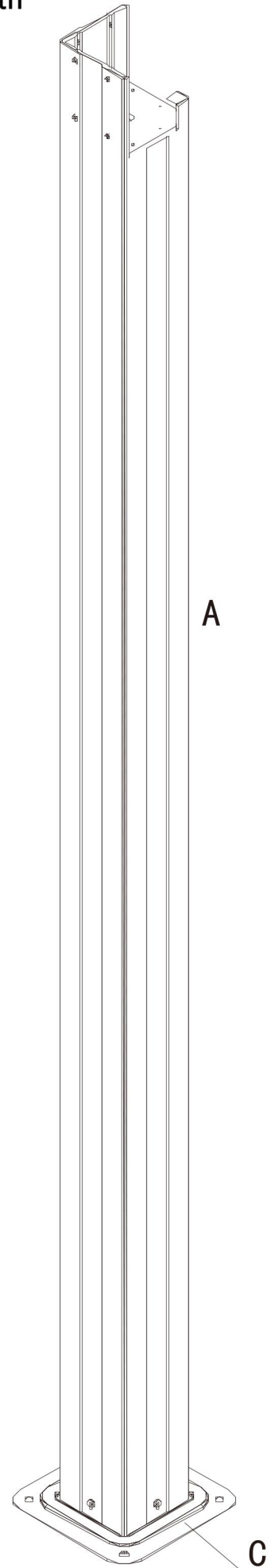
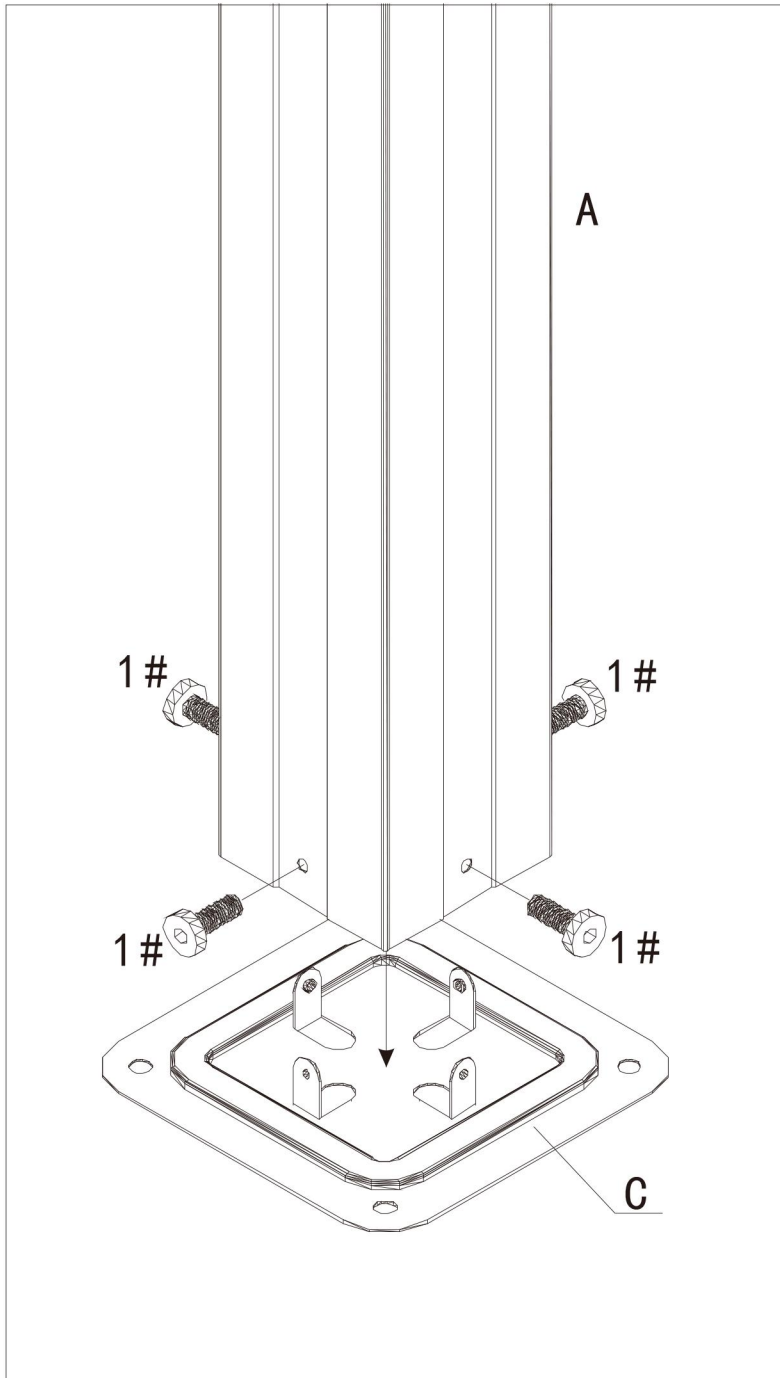
A x4



C x4



1#
x16





B x2



1#
x4



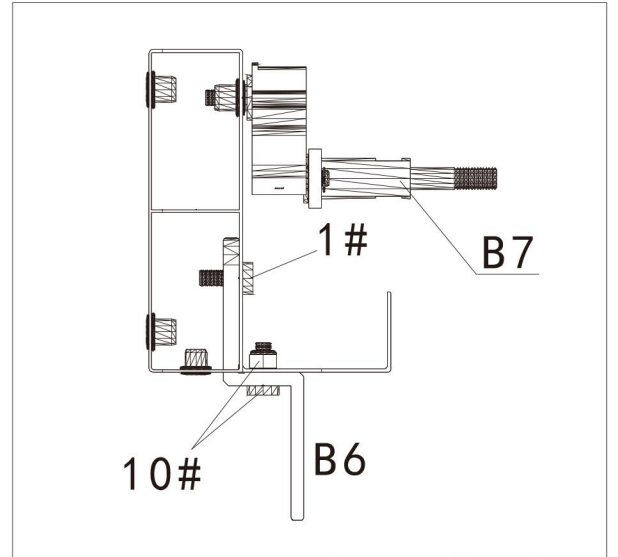
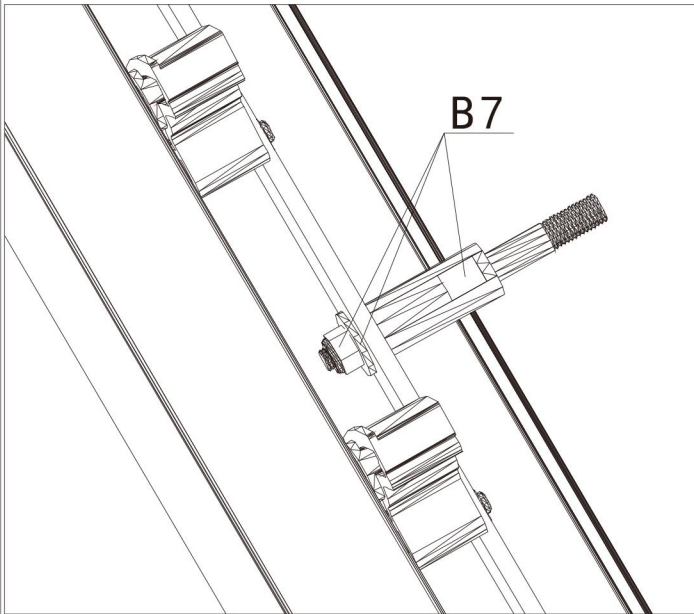
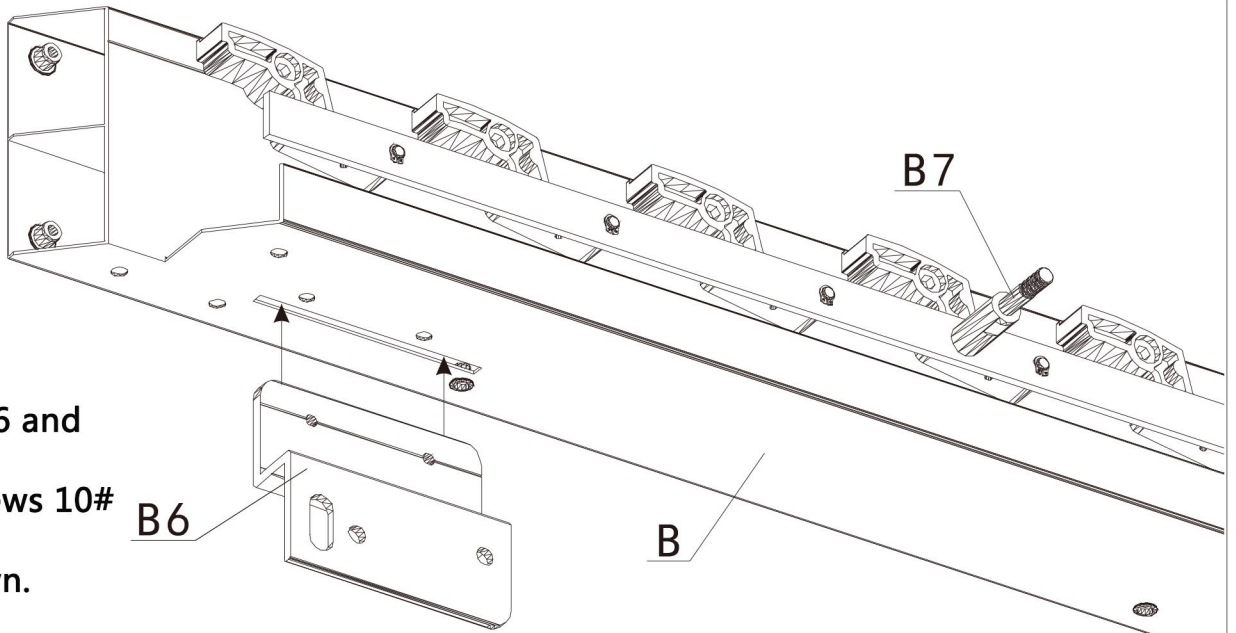
B6 x2



10#
x4

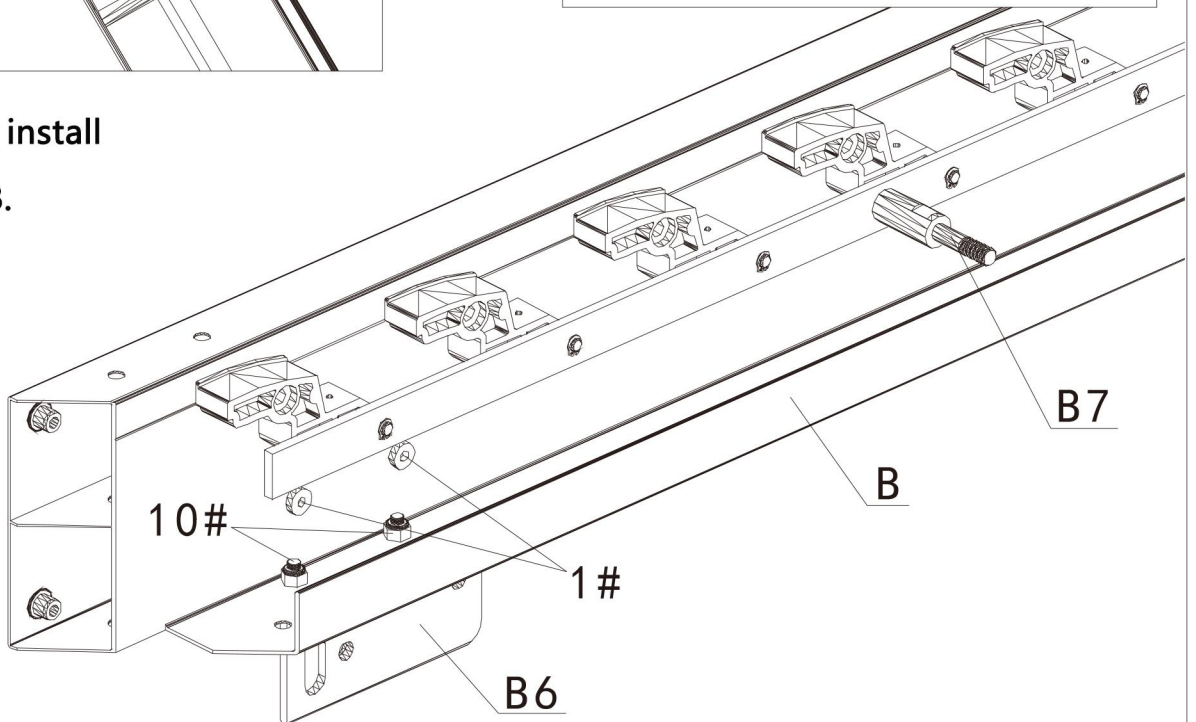
Step 2:

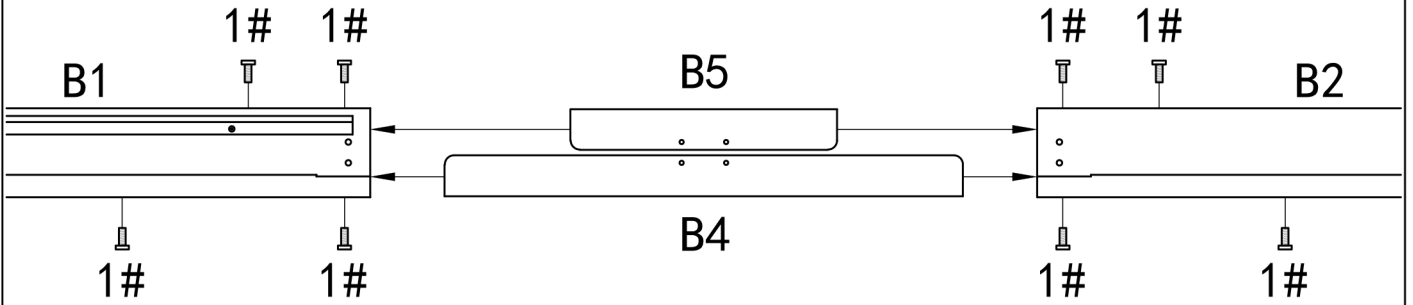
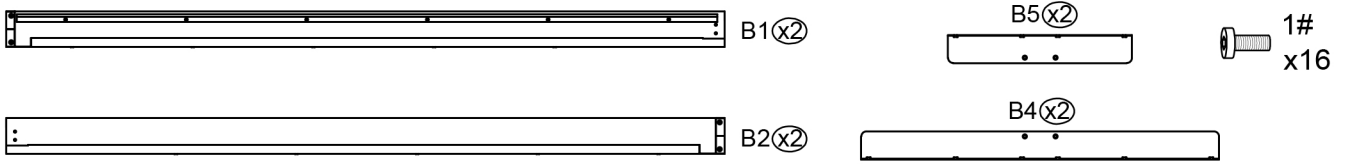
Connect Part B6 and Part B with screws 10# and 1# as shown.



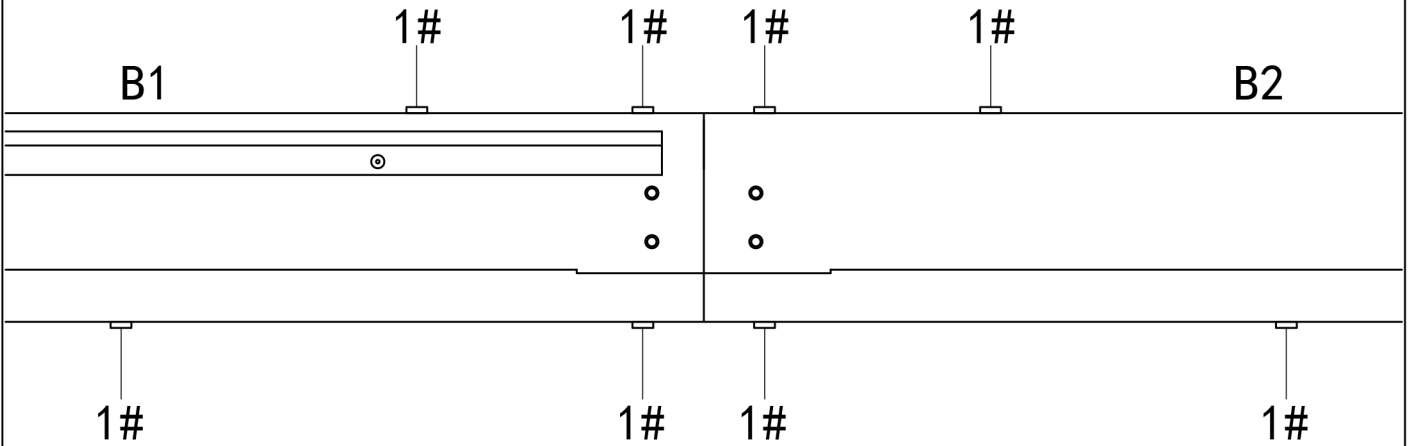
Step 3: Then install

Part B7 on Part B.

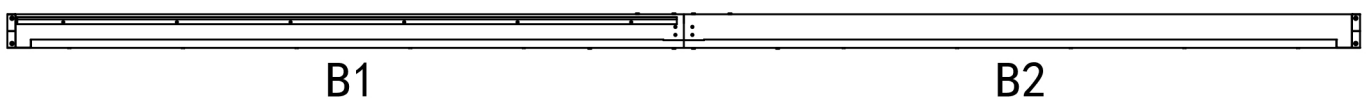


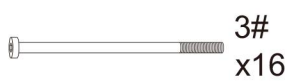
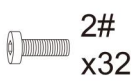


Step 4: Place Part B5 and Part B4 into Part B1 and B2 with screws 1# as shown above.



Step 5: Connect Part B1 and Part B2 with screws 1# as shown.

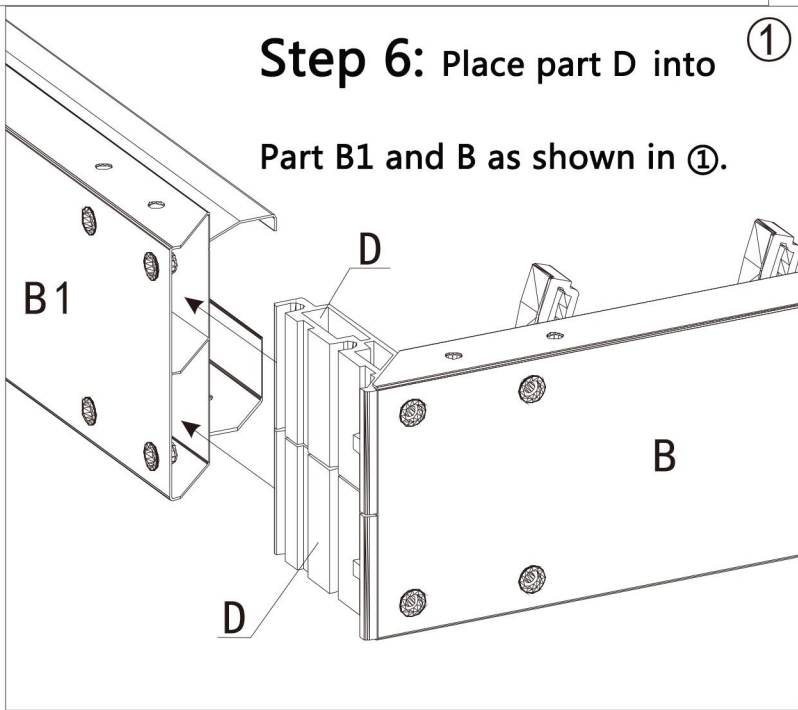




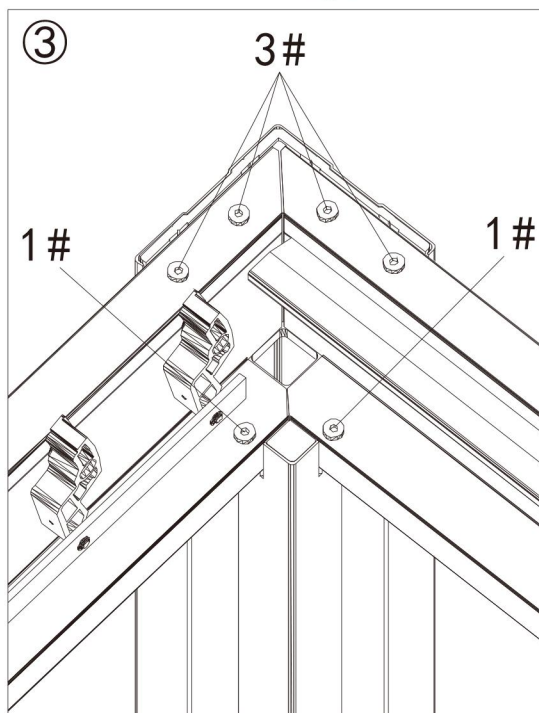
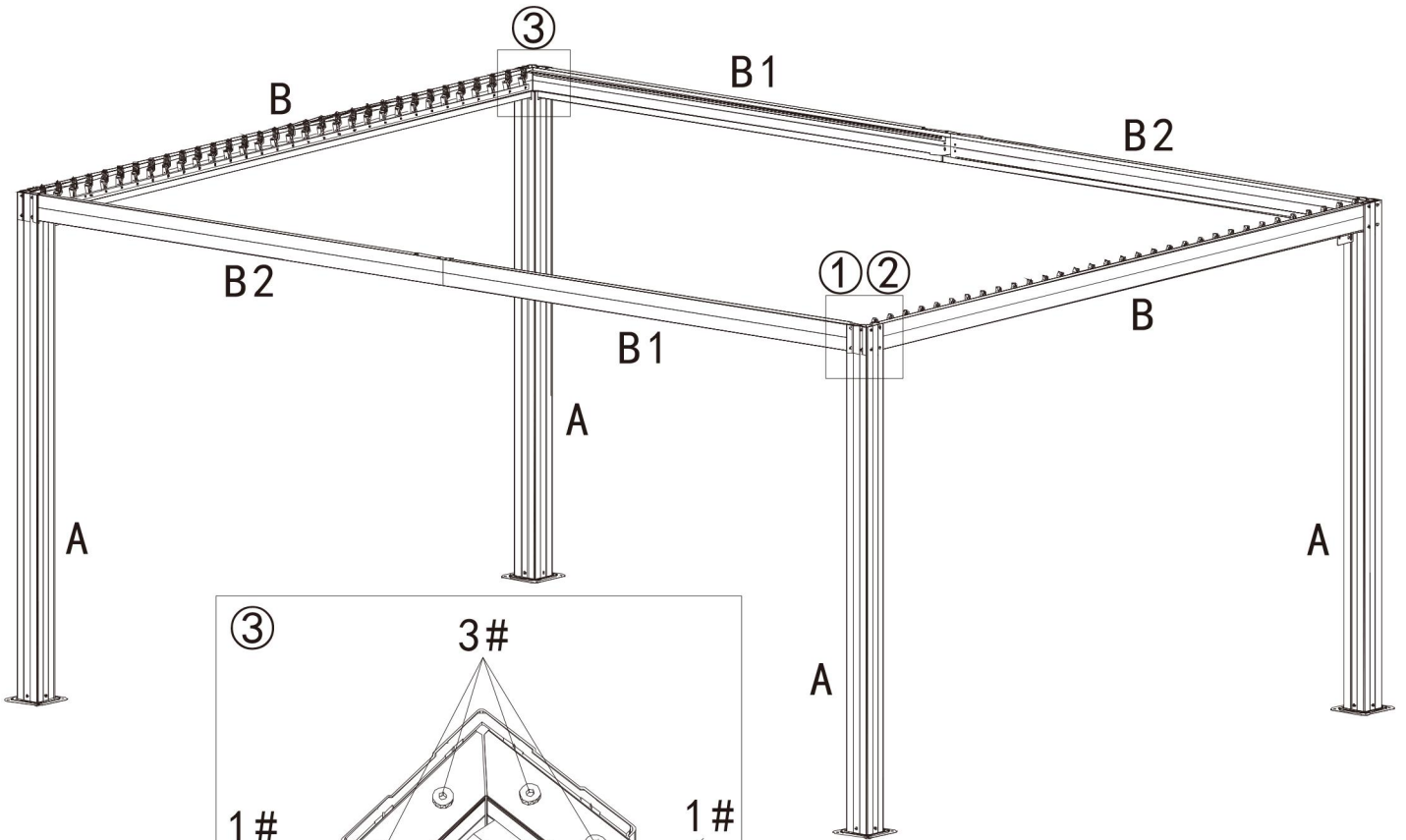
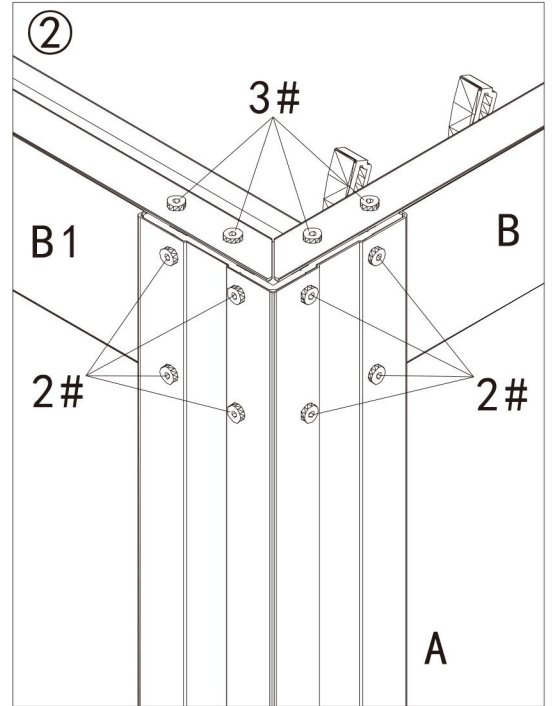
Step 6: Place part D into

①

Part B1 and B as shown in ①.

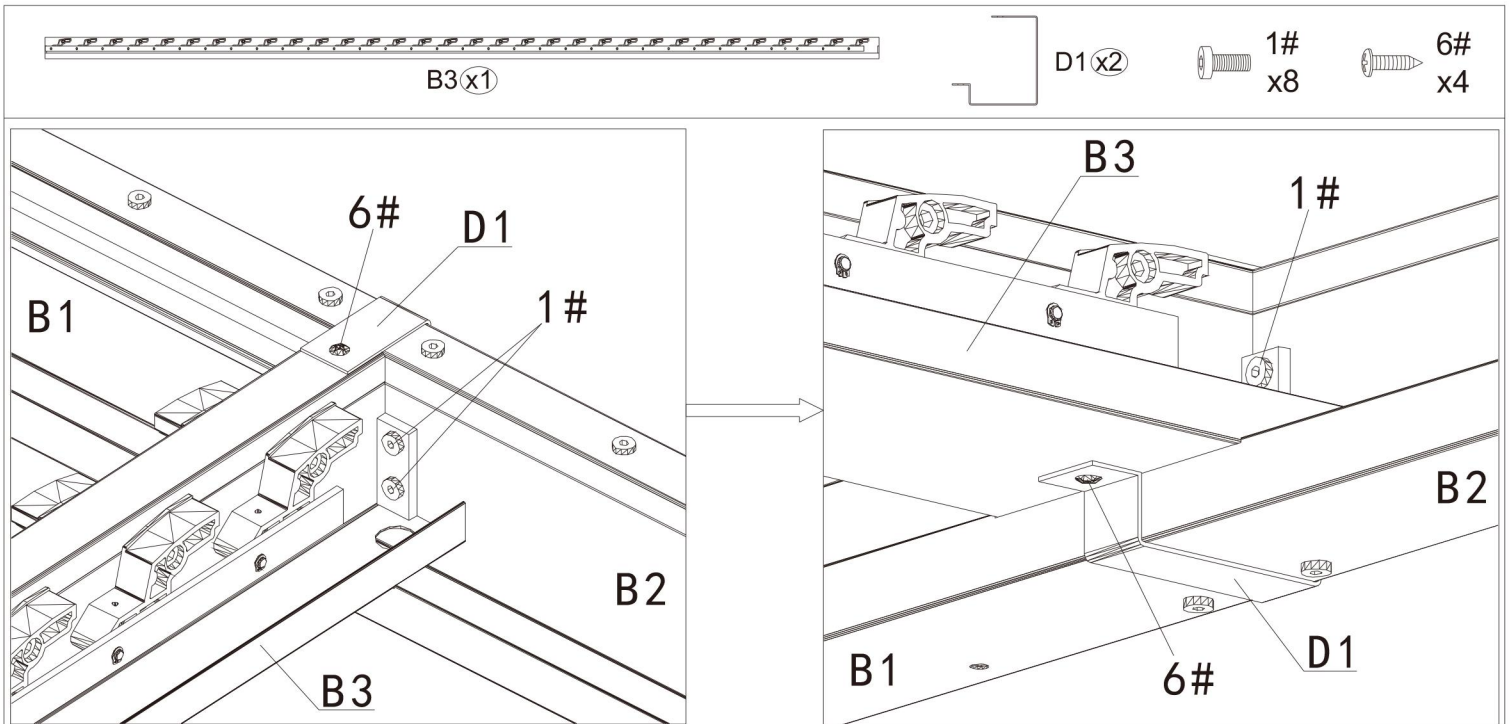


②

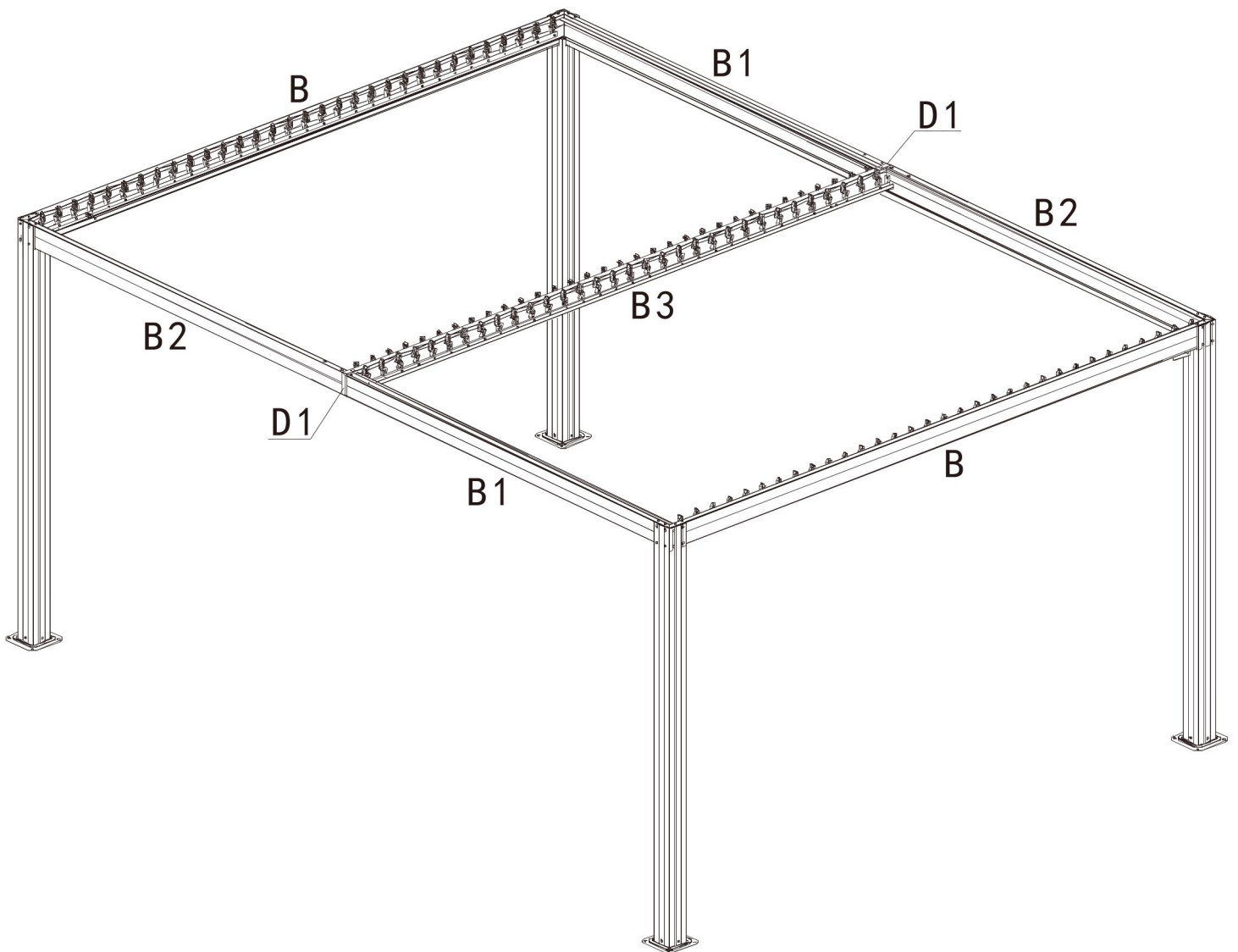


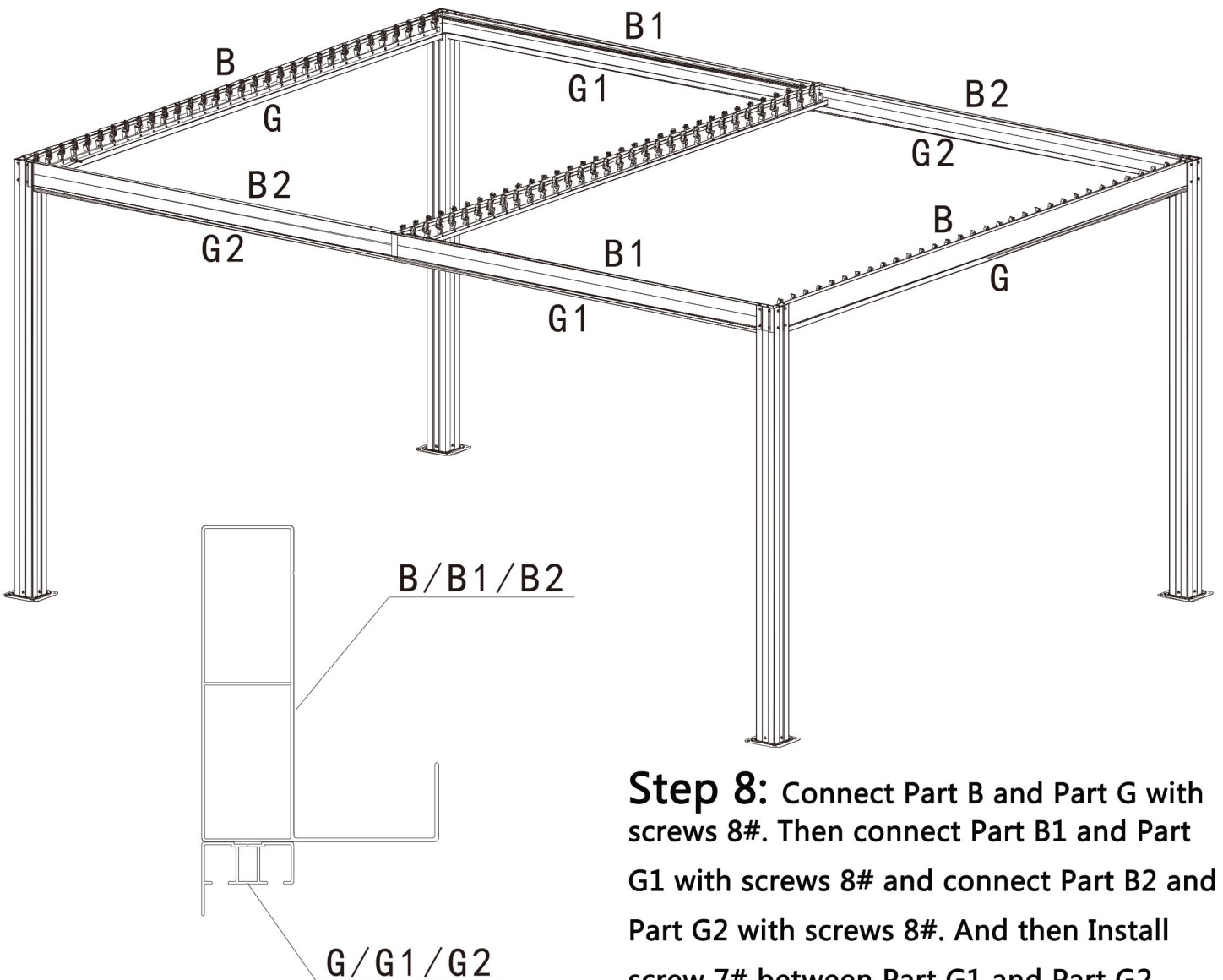
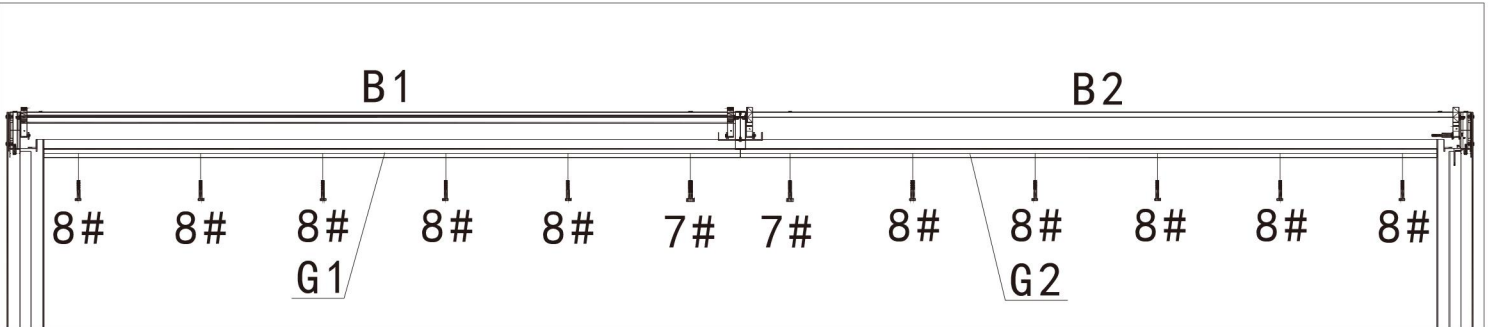
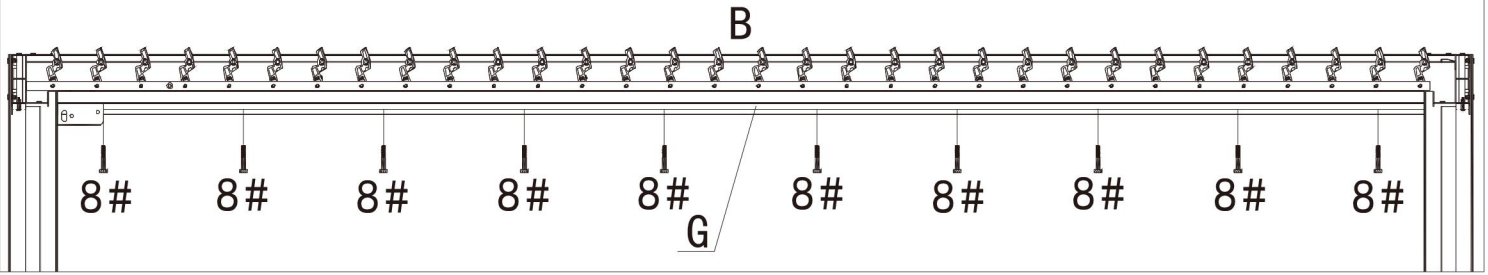
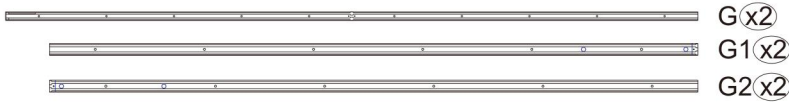
Step 7: Connect Part B and Part B1 with screws 3# as shown in ②.

Step 8: Secure Part B and B1 to Part A with screws 3# and 1# as shown in ③.

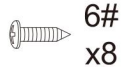


Step 7 : Fix Part D1 to Part B3 and Part B2 with screw 6# and 1# as shown above. After the completion of this step, each part is as shown in the following figure.

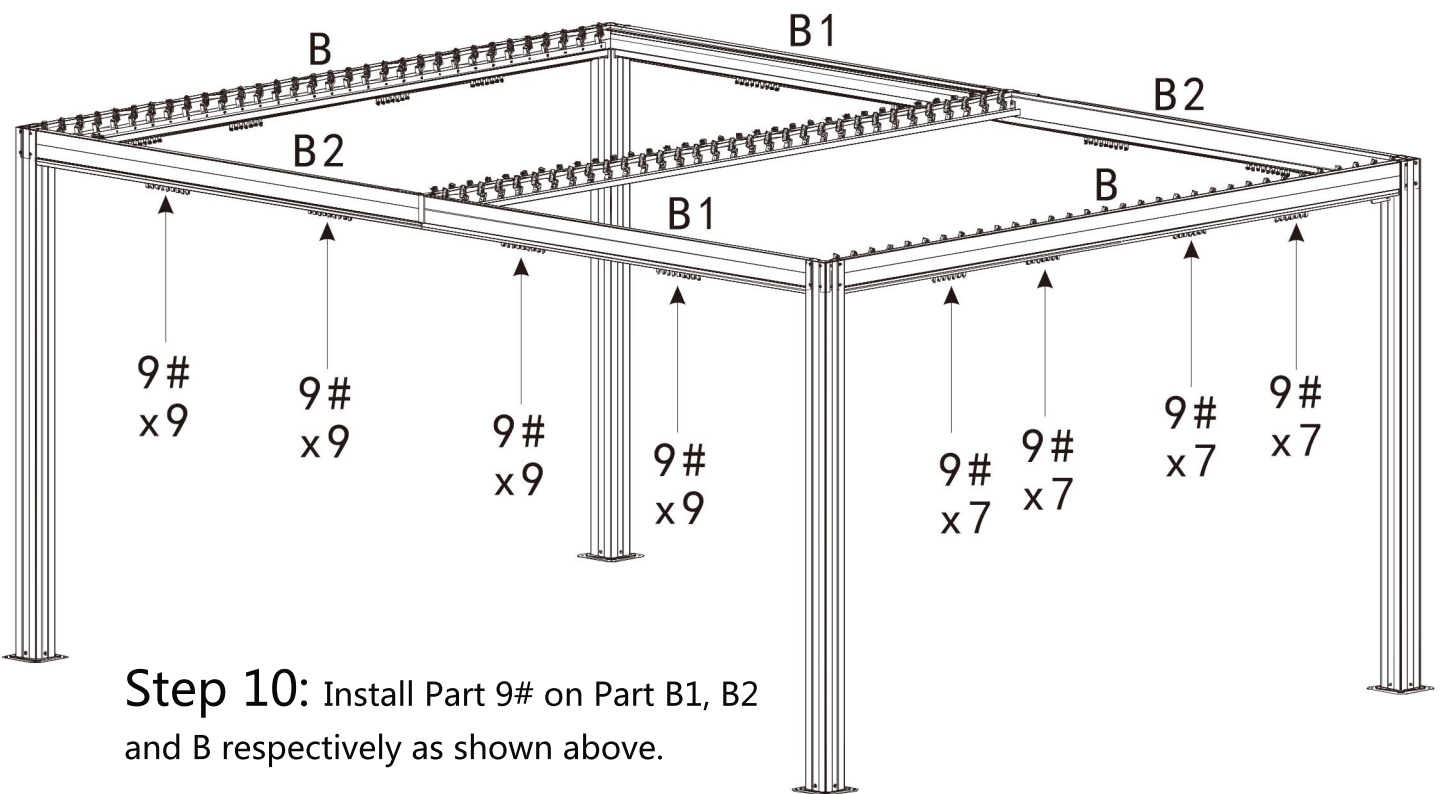
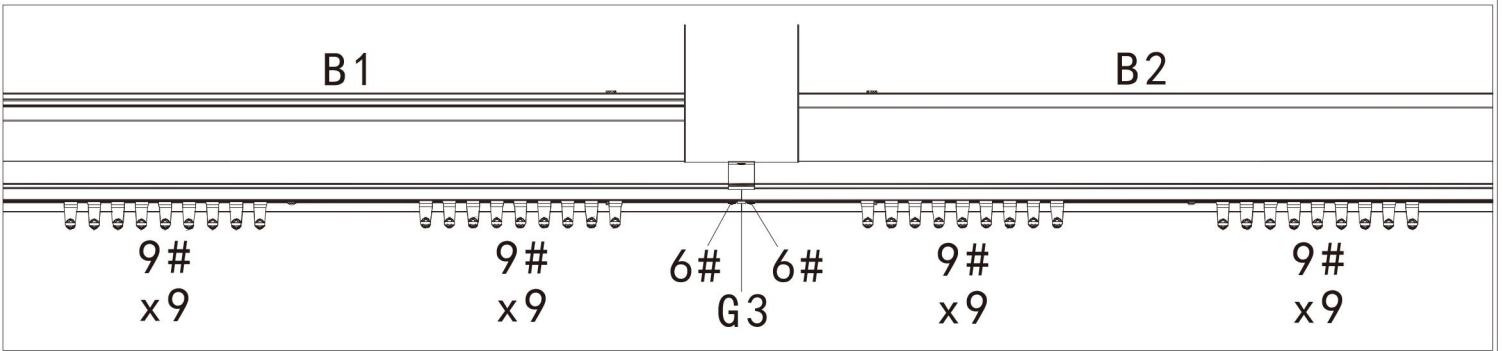
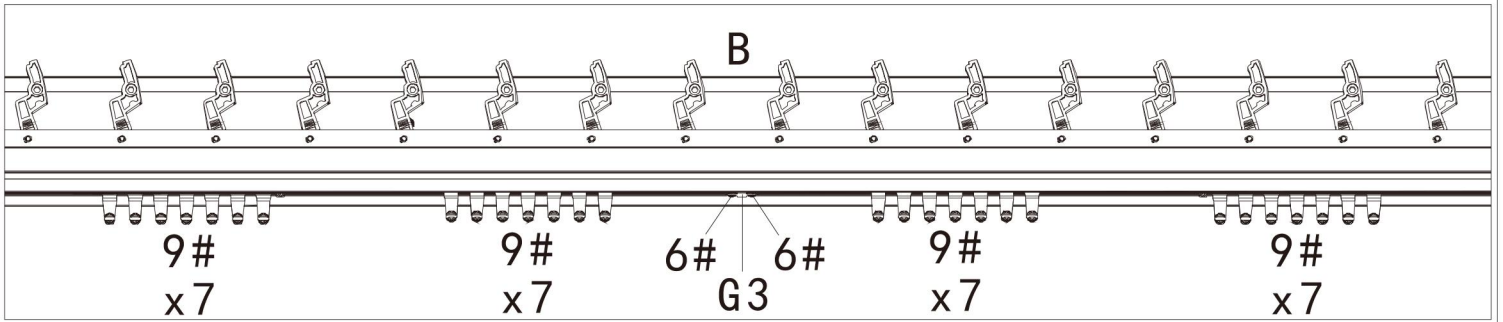
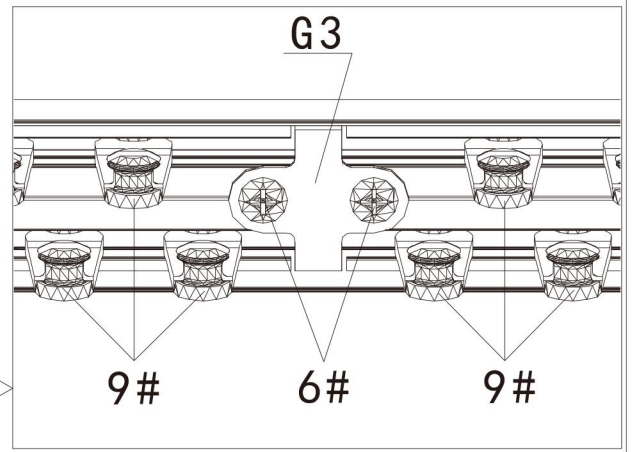
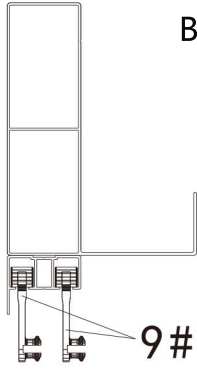
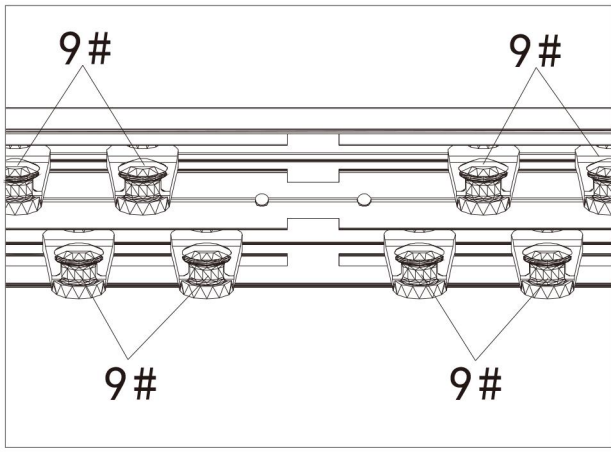




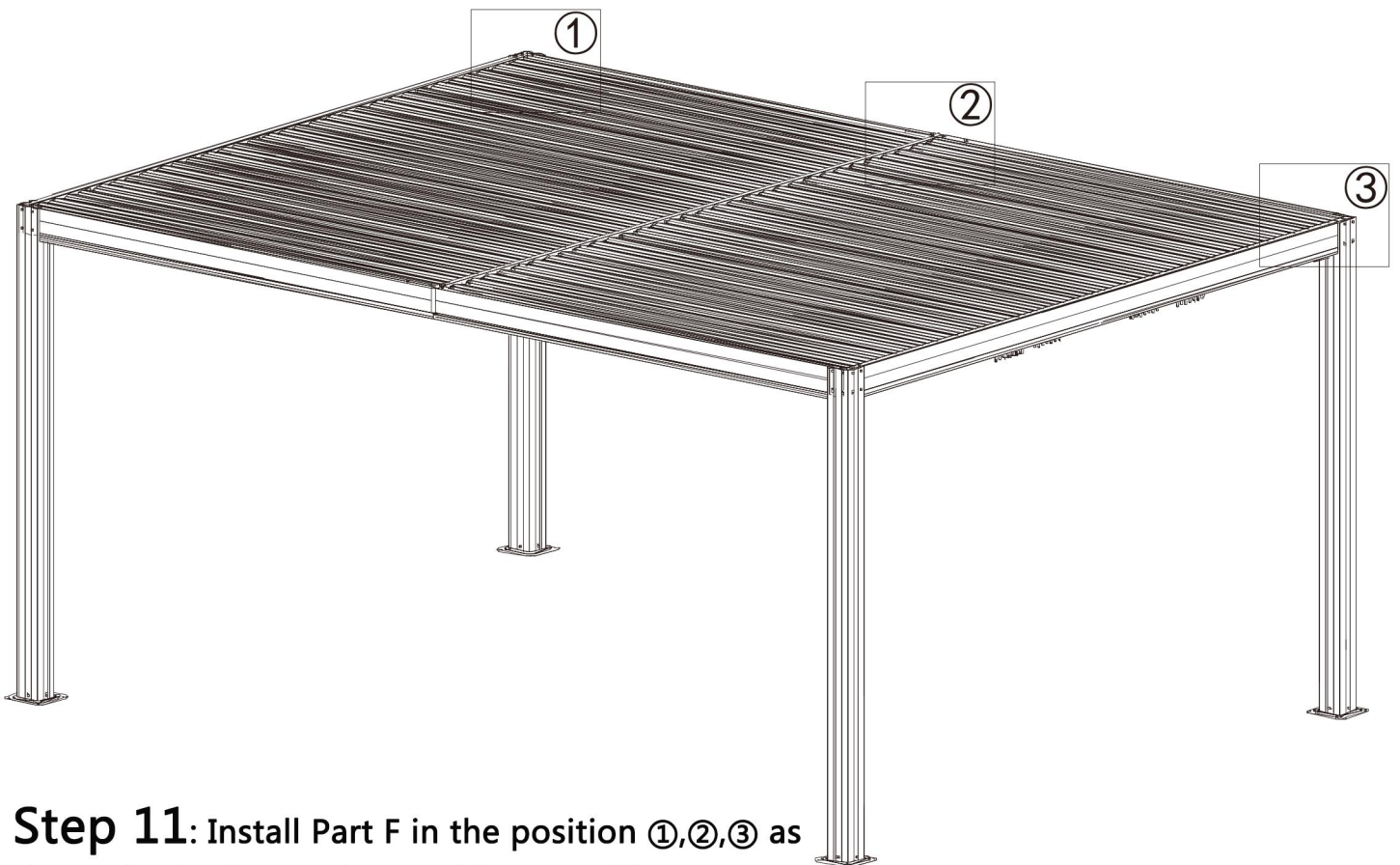
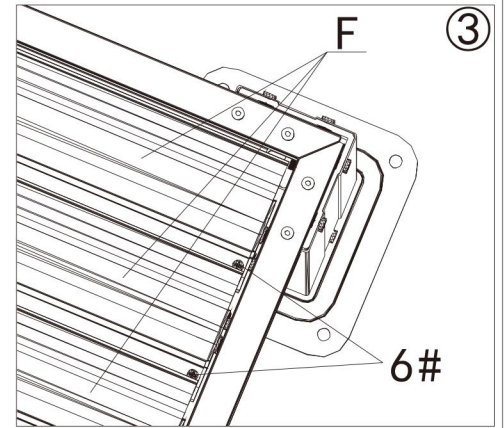
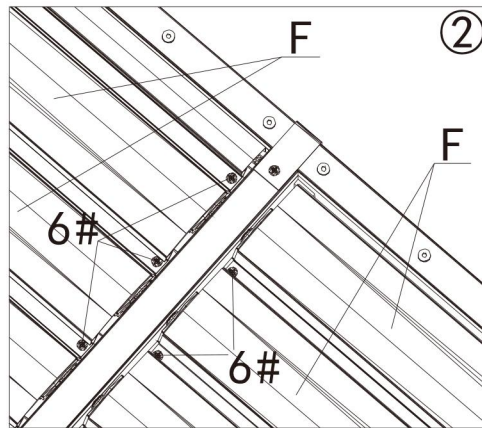
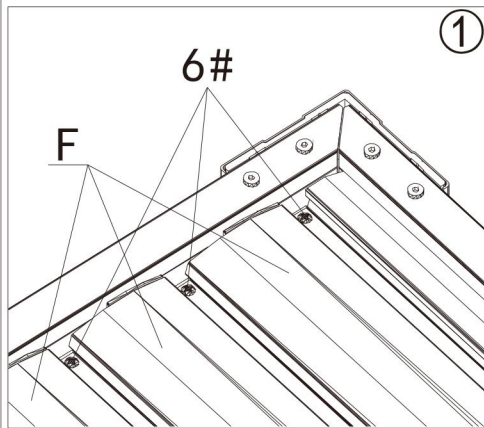
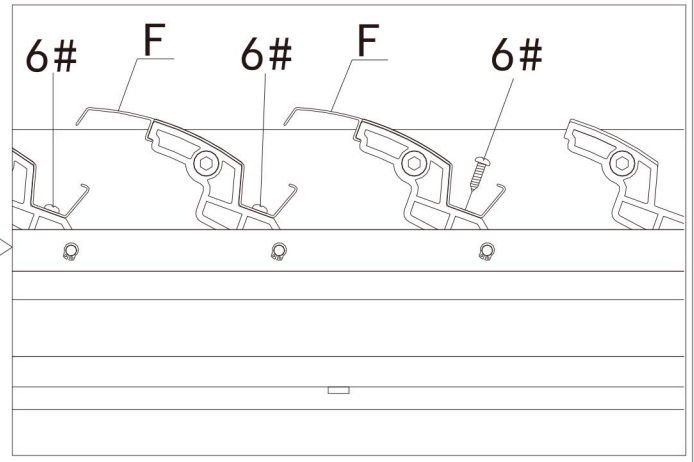
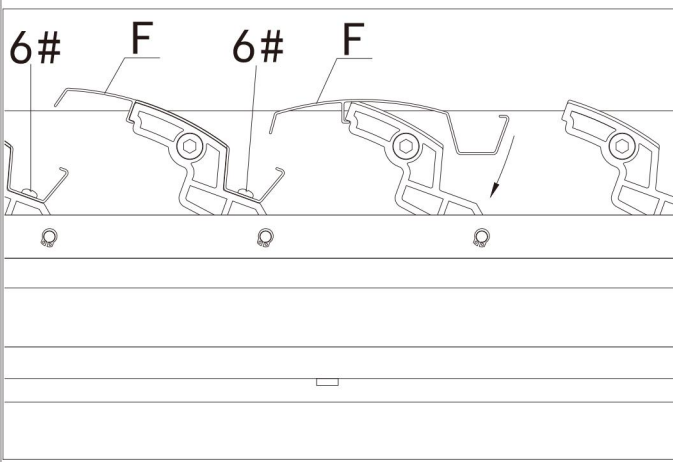
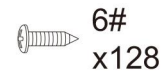
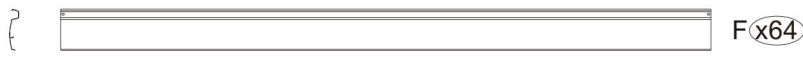
Step 8: Connect Part B and Part G with screws 8#. Then connect Part B1 and Part G1 with screws 8# and connect Part B2 and Part G2 with screws 8#. And then Install screw 7# between Part G1 and Part G2.



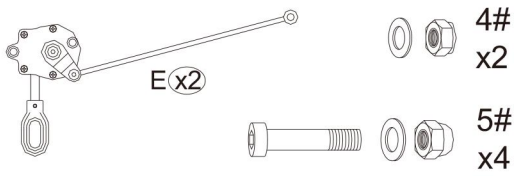
Step 9: Install Part G3 on Parts B, B1 and B2 with screw # 6 as shown as shown.



Step 10: Install Part 9# on Part B1, B2 and B respectively as shown above.

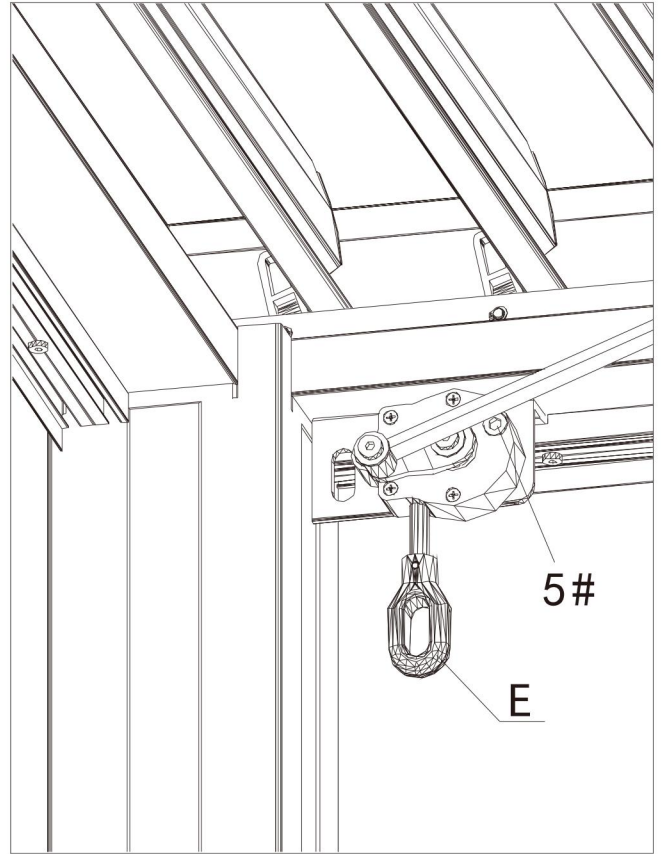
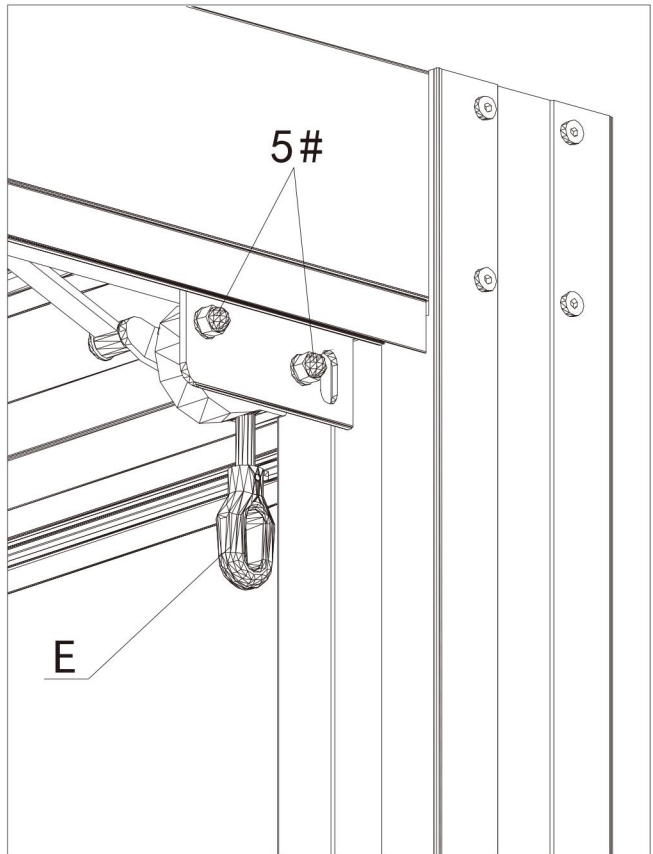
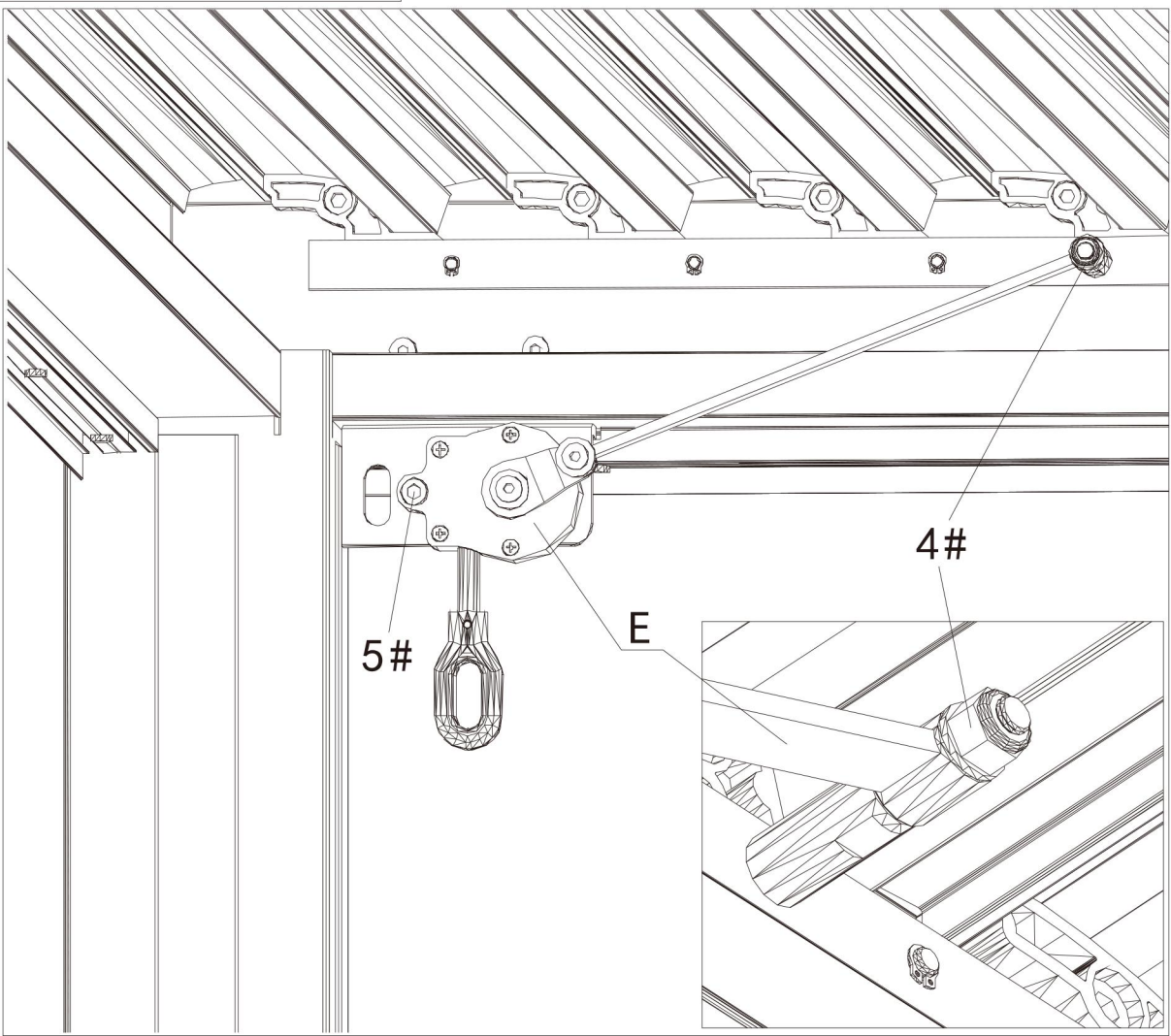


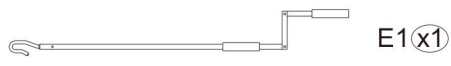
Step 11: Install Part F in the position ①,②,③ as shown in the figure above with screw 6#.



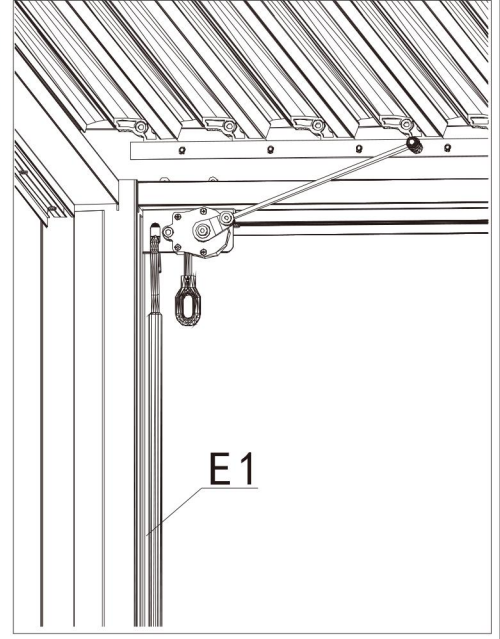
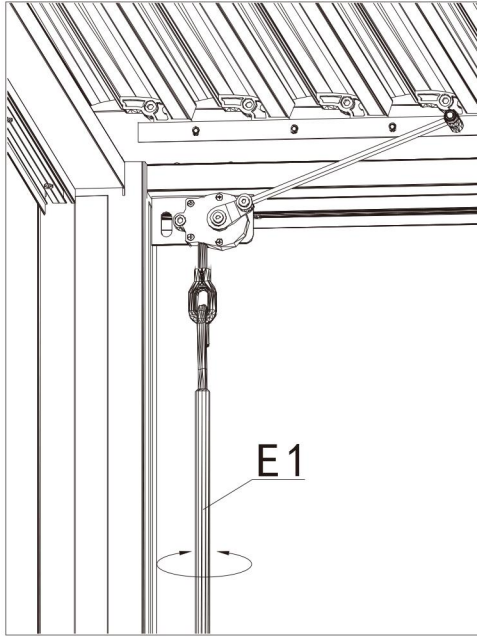
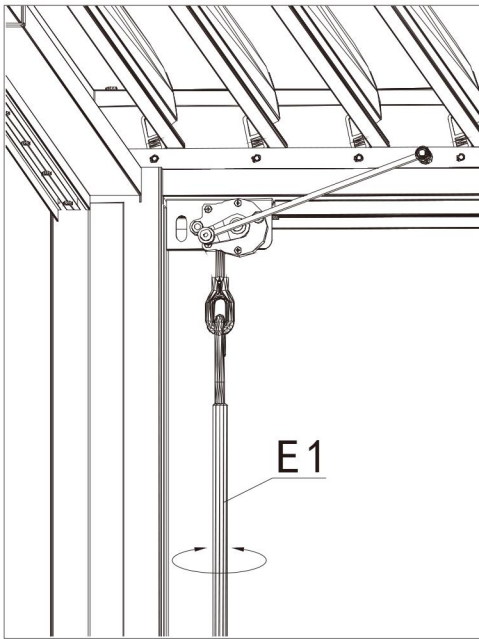
Step 12: Install Part E with screws 4#

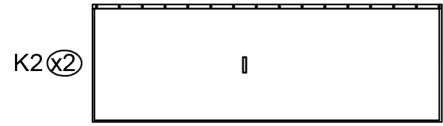
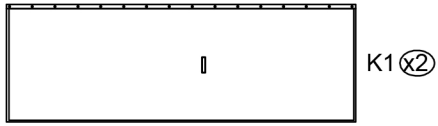
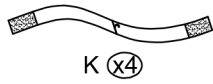
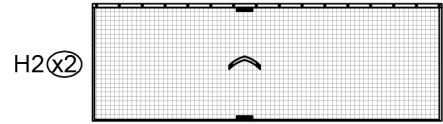
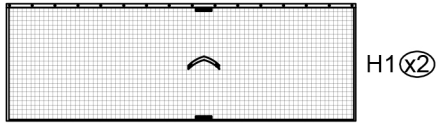
and 5# as shown below.





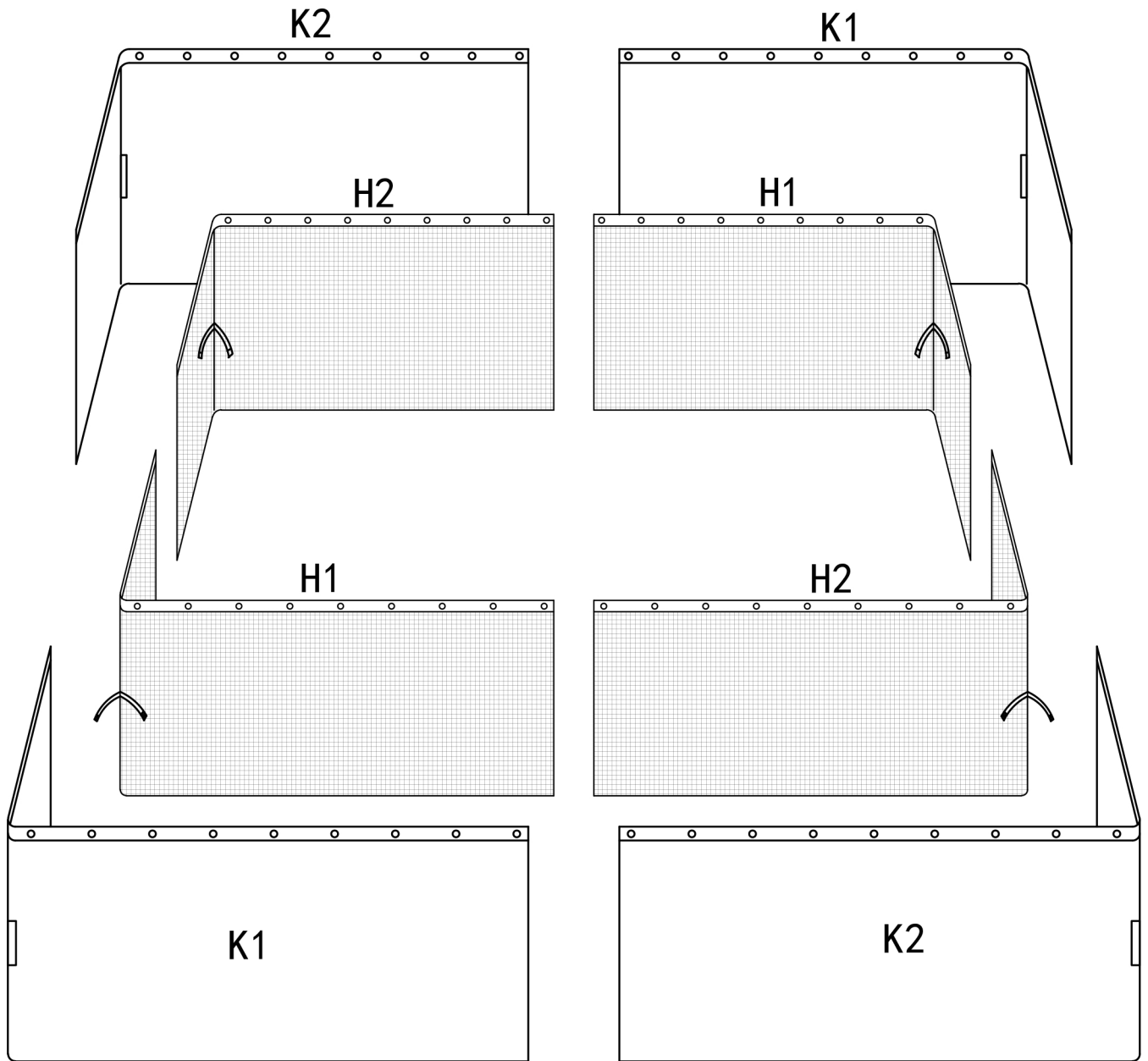
Step 13: Hang Part E1 on Part E as shown in the following figure.

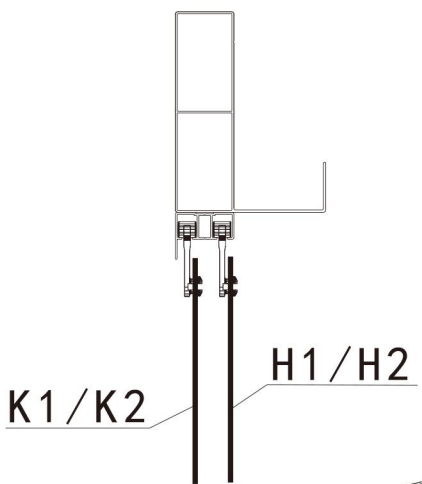
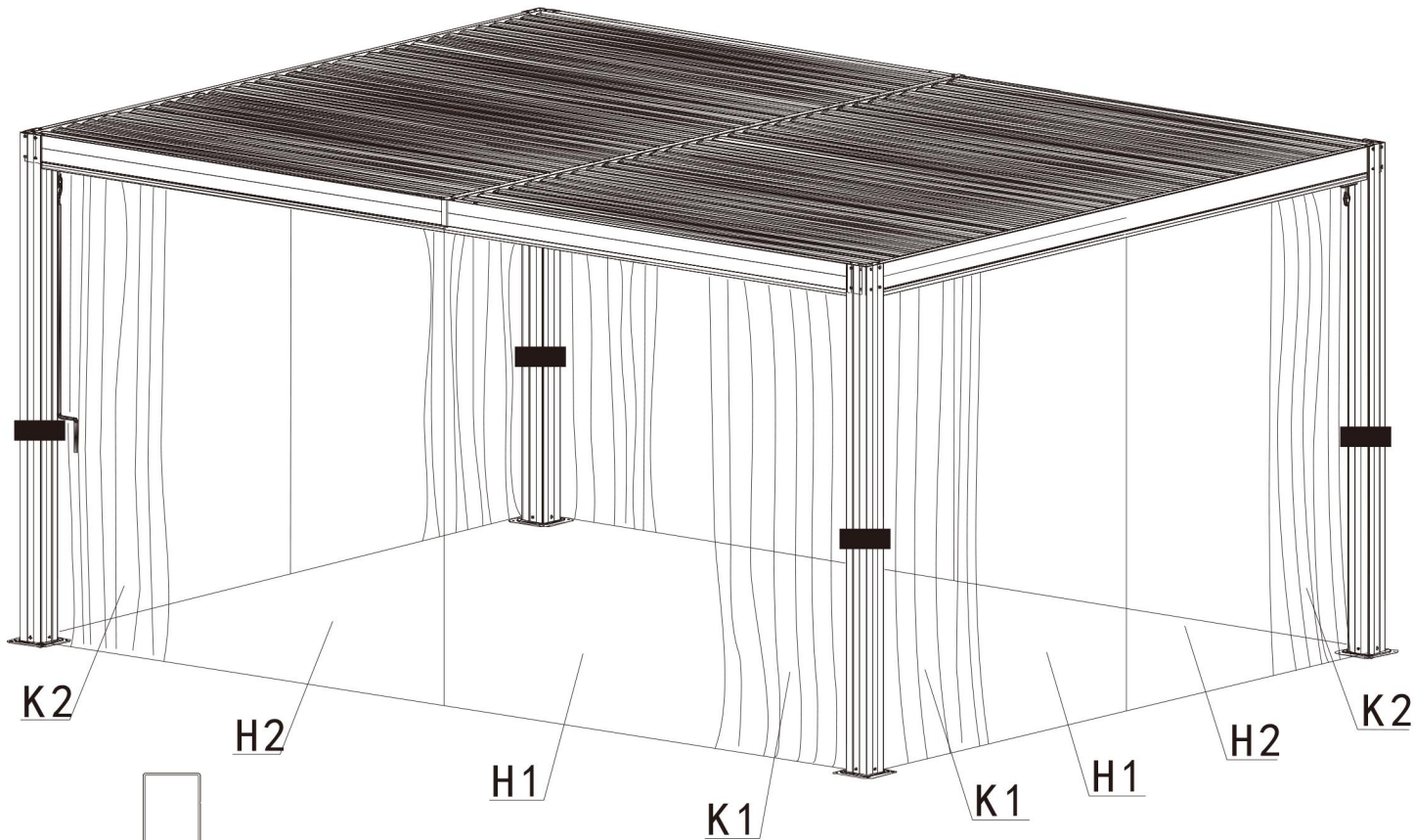




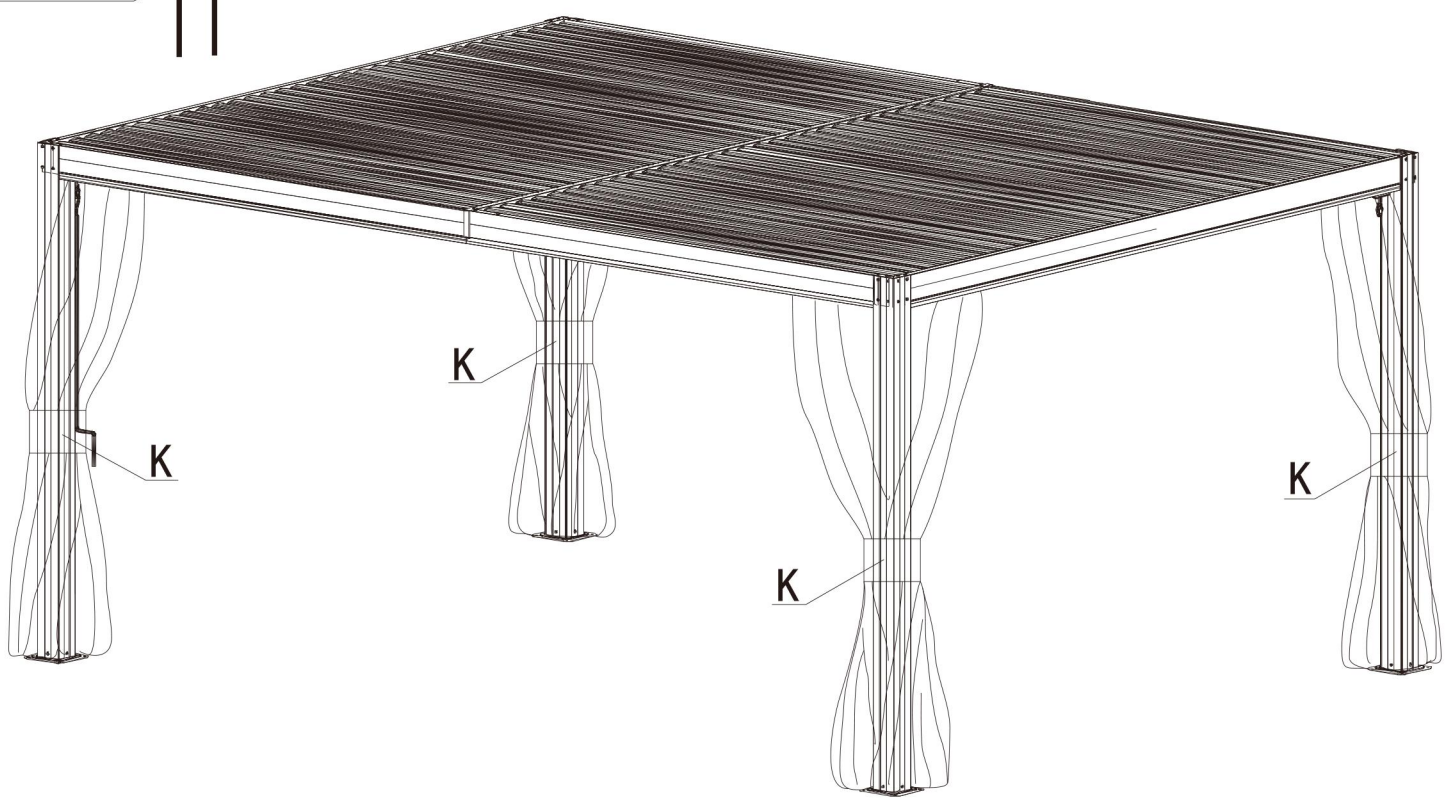
Step 14: Place Parts H1, H2, K1 and K2 as shown.

Then install Part K on Parts H1 and H2.





Step 15: Install Parts H1, H2, K1, K2 as shown.





RESORT COMFORT IN YONR
OWN BACKYARD

Thanks for your purchase.

At domi outdoor living, we believe in our products.

That's why we provide a 12-month warranty and

friendly, easy-to-reach after-sales service. So if you

have any questions about our product and assembly-

, please feel free to contact us. We will be here for you.

Support:  

email: service@domioutdoorliving.com

Please tell us your order ID when contact.

Attach photos of damaged part for instant reply.