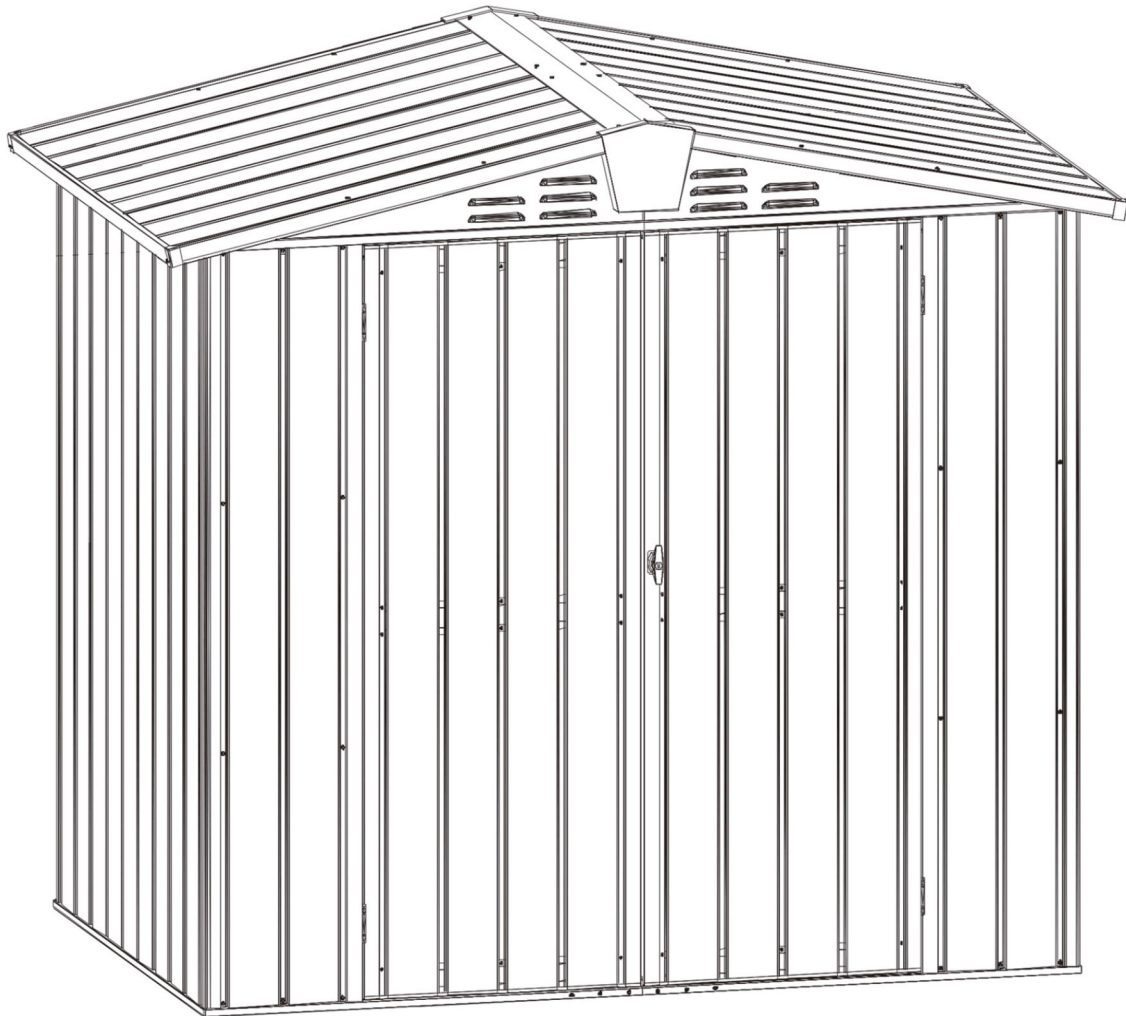




6.5'×4.2' TOOL STORAGE SHED

MODEL#: LGCF1550

# ASSEMBLY MANUAL



Missing part? Damaged? Contact us via email at  
[service@domioutdoorliving.com](mailto:service@domioutdoorliving.com)

# Pre-assembly



1. Two or more people are required for assembly.



2. You will need one or more stepladders.



3. Wearing protective gloves is recommended.



4. You may need a safety hat.



5. Please use a Phillips screw driver.



6. For ease of construction, you may need a drill.



7. You may need a safety goggle.



8. Do not fully tighten screws prior to complete assembly.

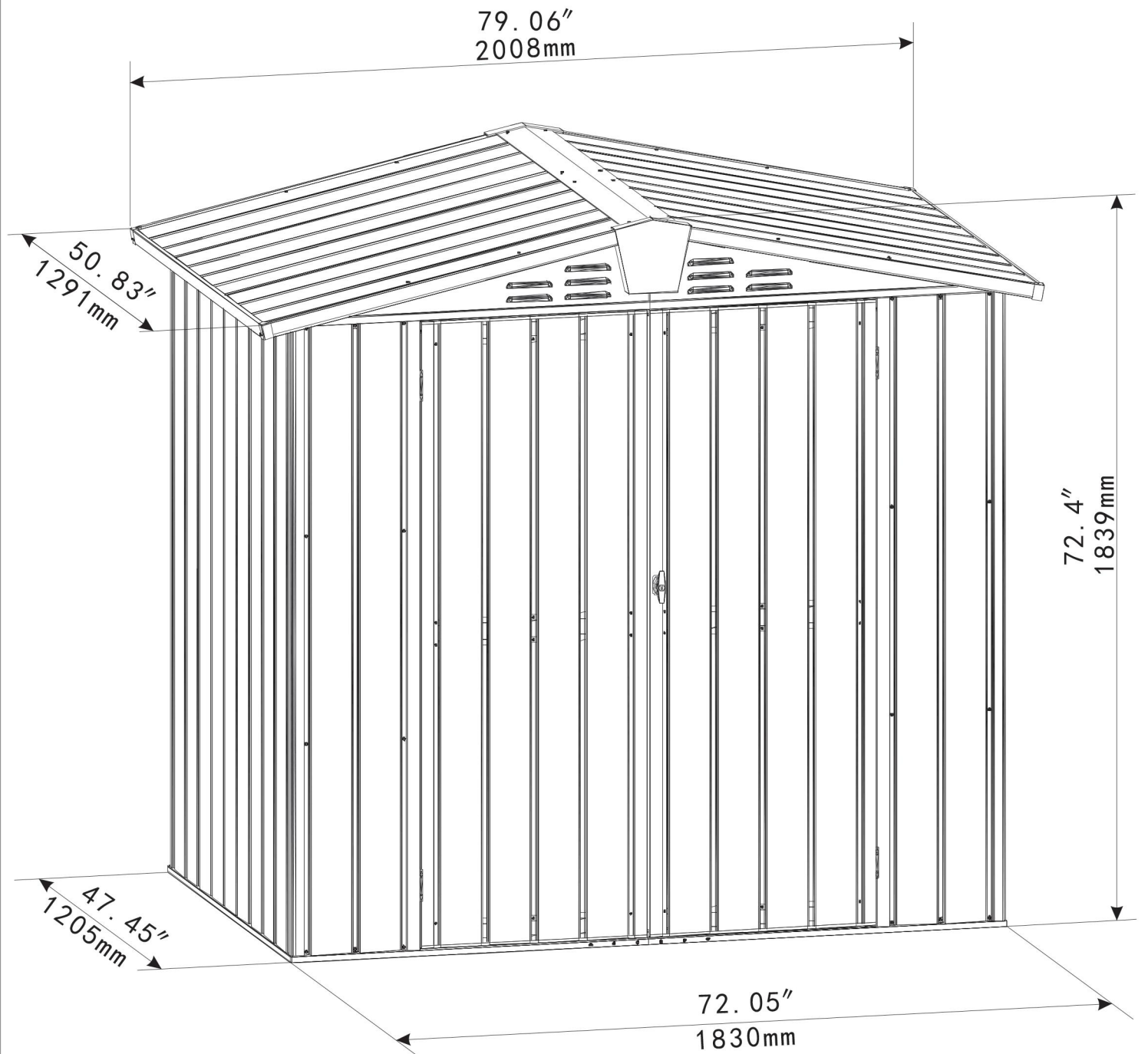
## Warning & Attention

-Try to assemble this product on the flat ground, otherwise it is difficult to carry out;

-It would be much easier to assemble the product with three or more people;

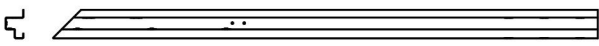
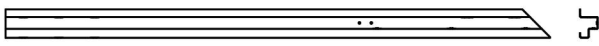
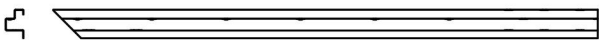
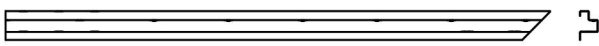
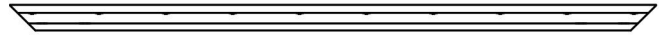
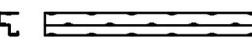
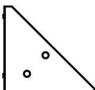
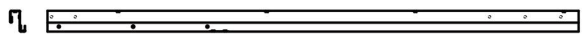
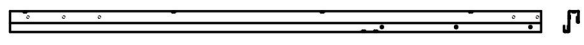
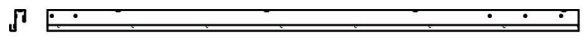
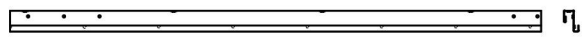
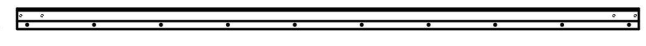

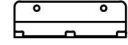
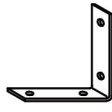

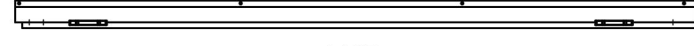

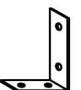

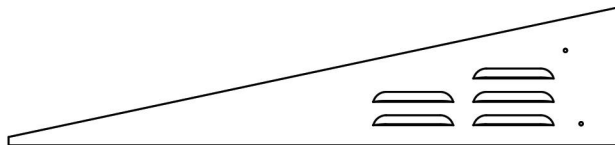
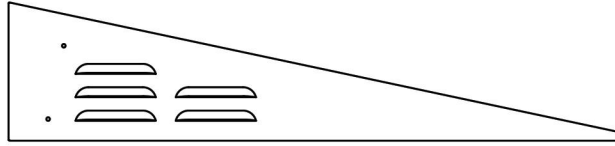
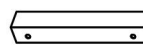
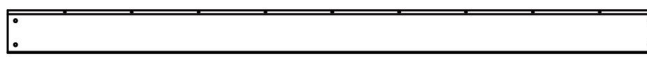


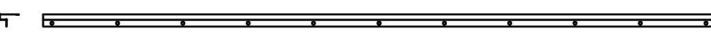
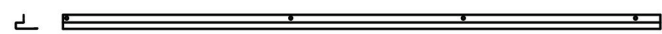
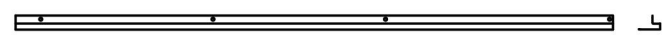





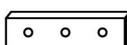
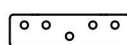
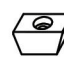
-After assembly, please check whether all screws are tightened, to prevent parts from falling apart.

▲ Use bolts to secure the frame to the ground to against the strong wind.

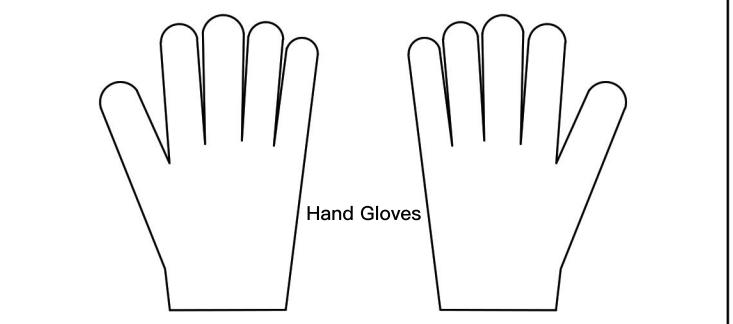
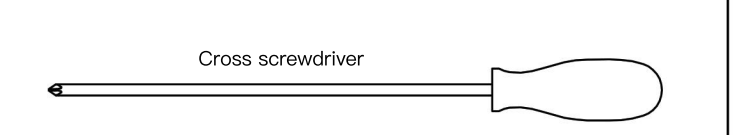
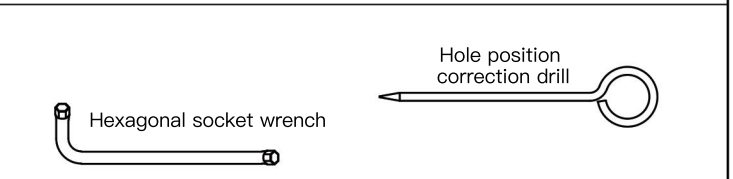
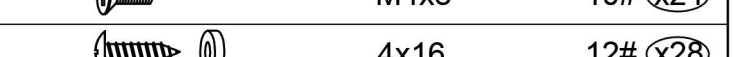
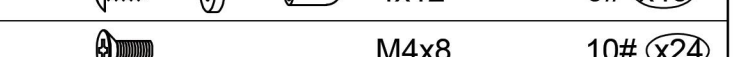
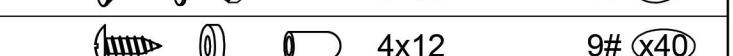
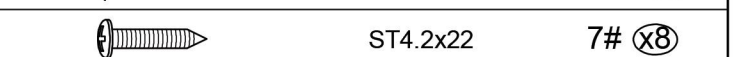
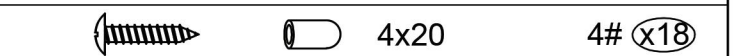
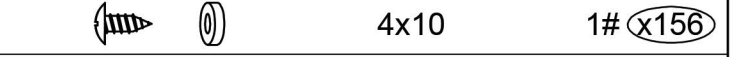
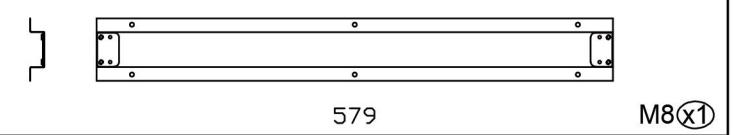
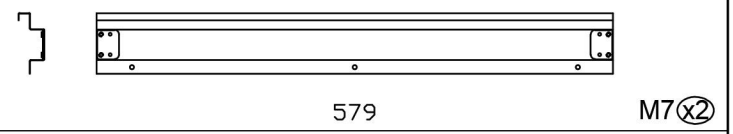
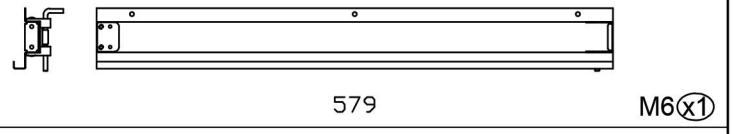
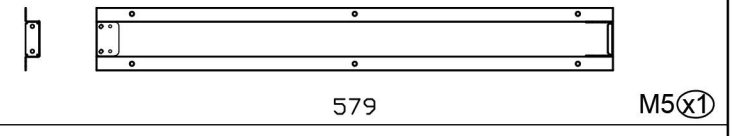
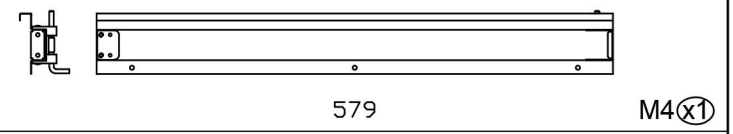
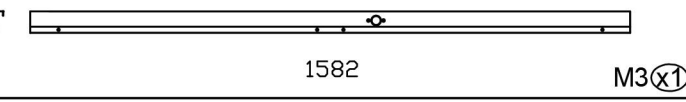
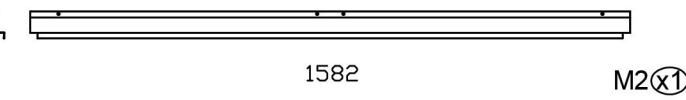
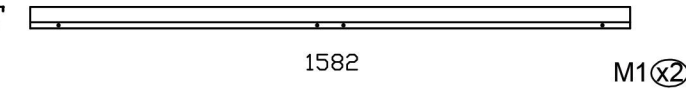
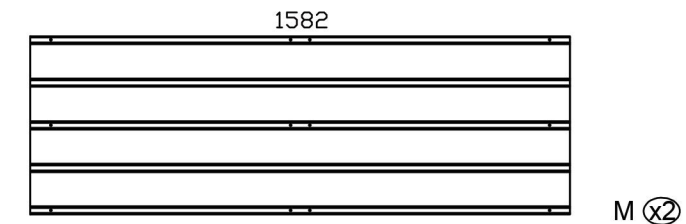
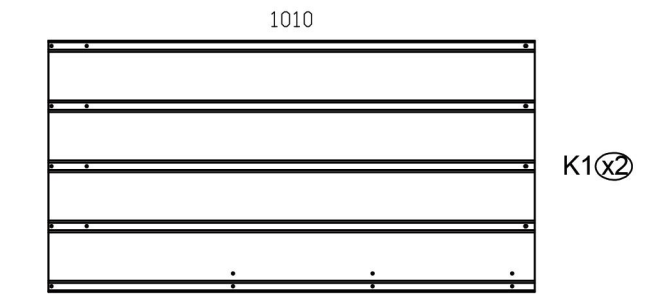
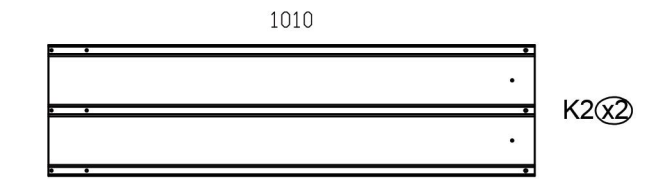
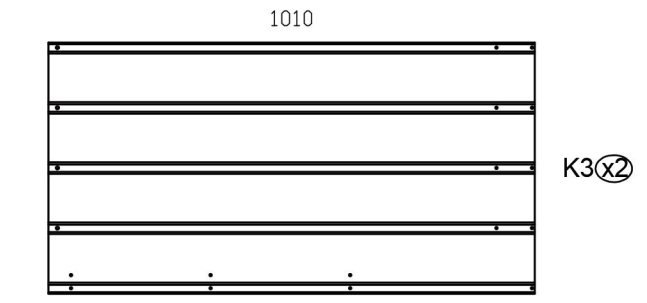
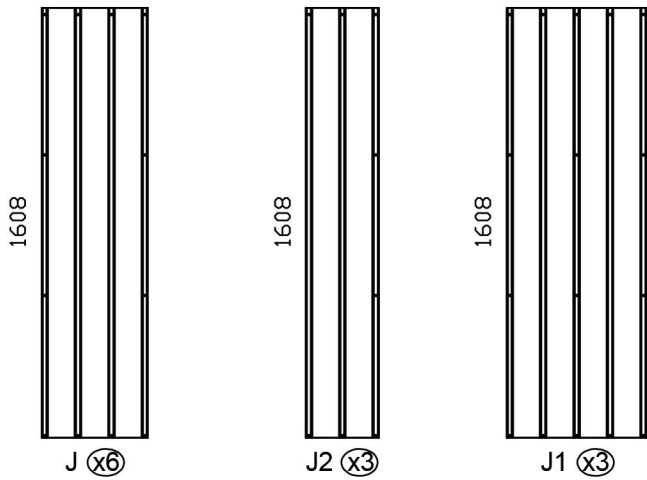


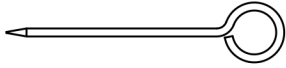
1550-00

The manual will assist you during the whole process of assembling.  
Make sure you have all the parts & hardware as list 1 and list 2 shown;  
Prepare the level ground for installation.

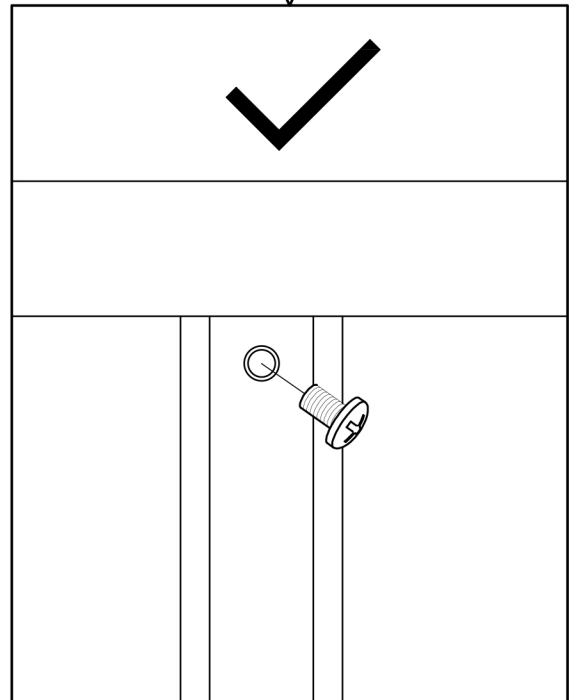
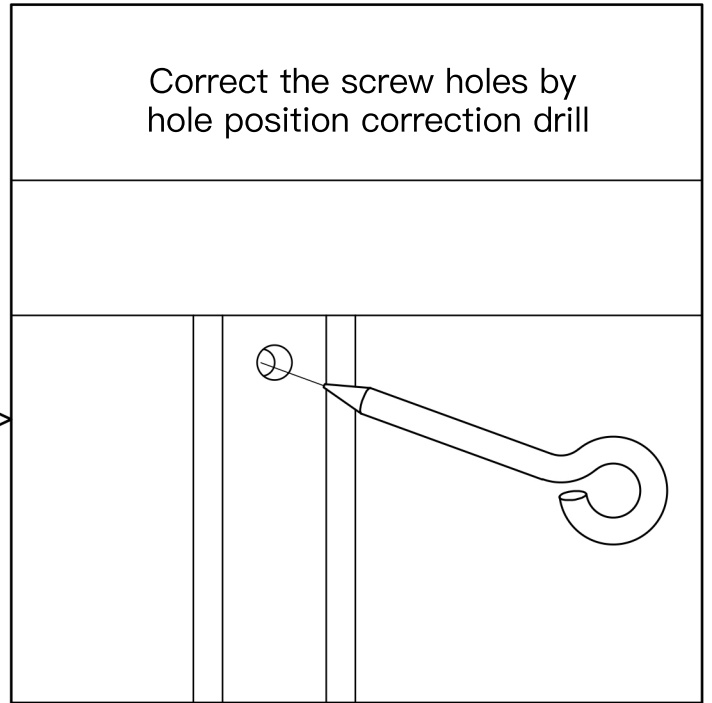
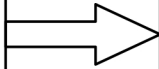
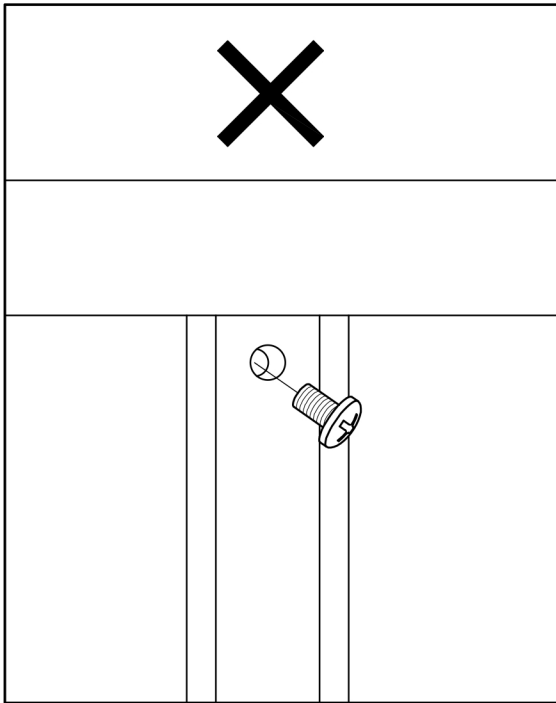
 916 A1(x1)	 916 A2(x1)	 916 A3(x1)	 916 A4(x1)	 1207 A5(x2)	 A7(x2)	 A(x4)	 893,5 B1(x1)	 893,5 B2(x1)	 893,5 B3(x1)	 893,5 B4(x1)	 1162 B5(x2)	 B7(x2)	 B8(x1)	 B(x4)	 1608,5 C(x4)	 1609 C1(x1)	 1609 C2(x1)	 C3(x2)	 C4(x2)	 915 D1(x2)	 915 D2(x2)	 D(x4)	 1214 E(x2)	 1250 F(x1)	 F1(x2)	 1283 G(x2)	 1005 G1(x2)	 1005 G2(x2)	 G5(x2)	 G6(x2)	 887 H3(x2)	 887 H4(x2)	 1149 H5(x4)	 H7(x2)	 Y(x4)	 Z(x18)
--	---	---	---	--	--	--	---	---	---	---	--	--	---	--	---	--	--	---	---	--	---	--	---	---	---	---	--	--	---	---	---	---	--	---	--	---



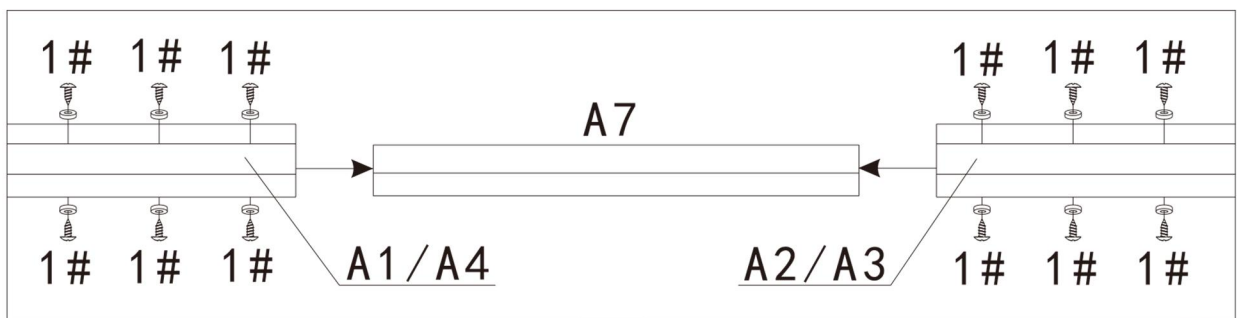
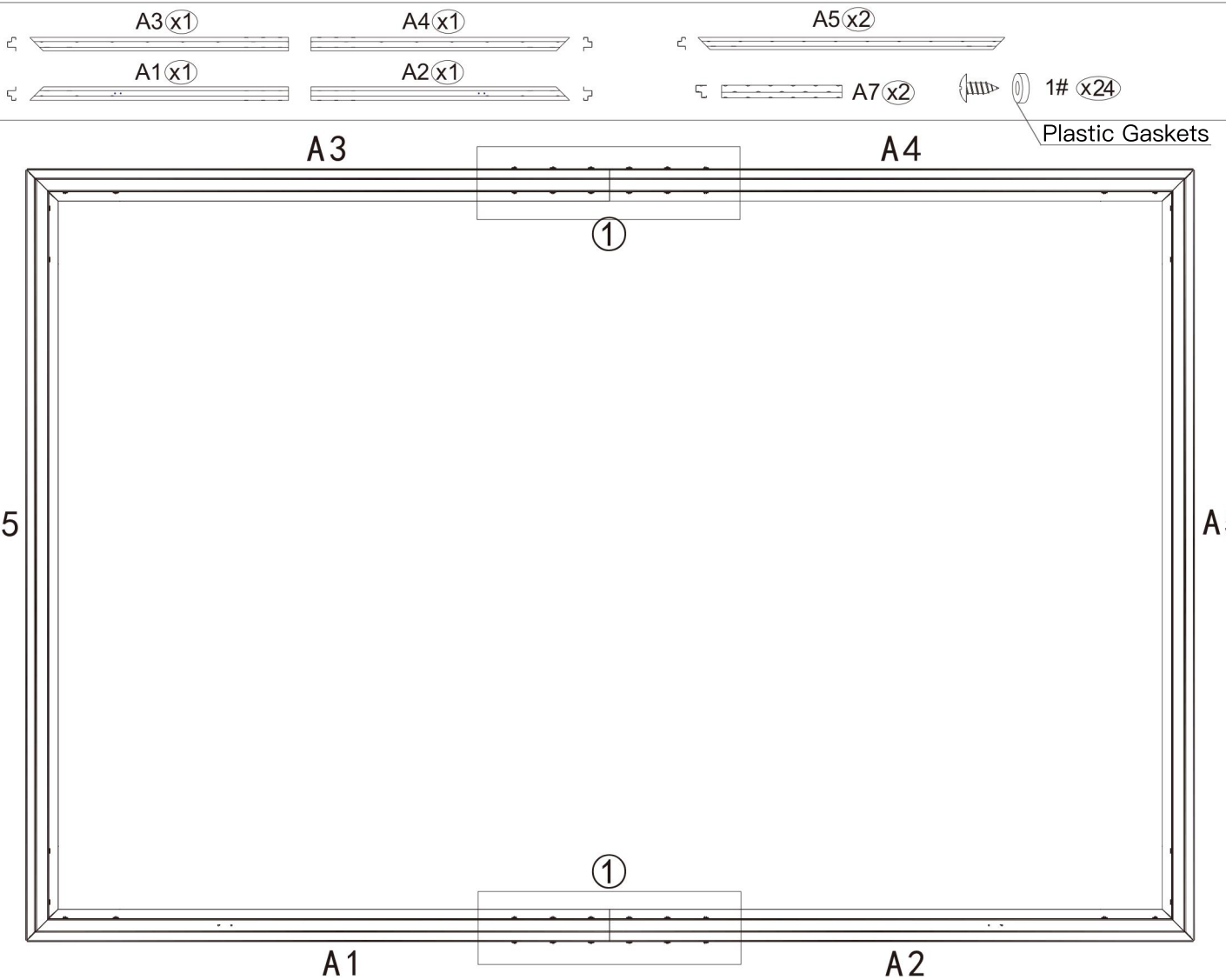




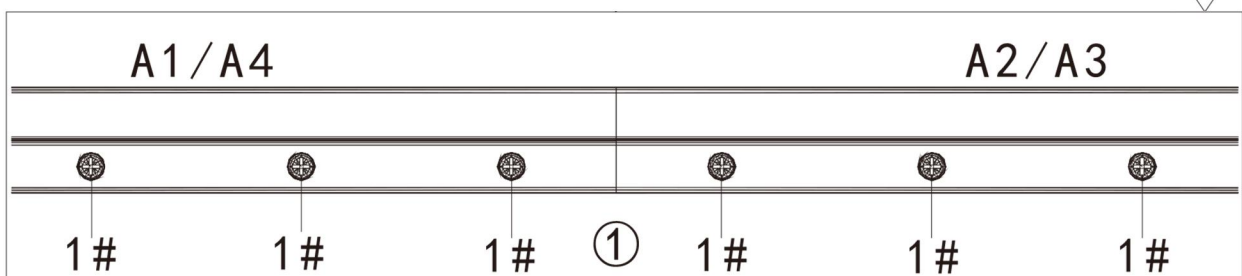
Hole position correction drill



If the screw holes are not symmetrical, you can use this tool to correct the hole position.

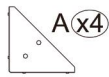


1. Firstly, use part#A7 to connect part#A1(A4) and part#A2(A3) respectively and then form the bottom frame with part#A5 and fix by screws 1# and gaskets.



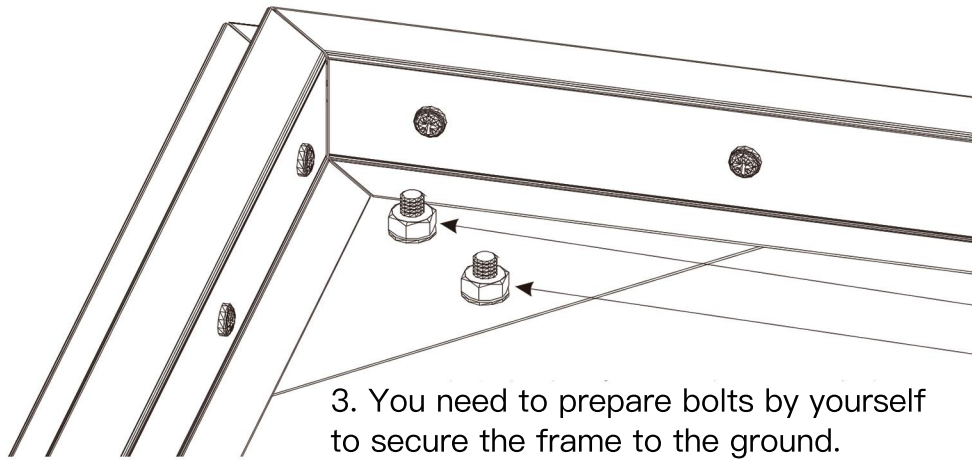
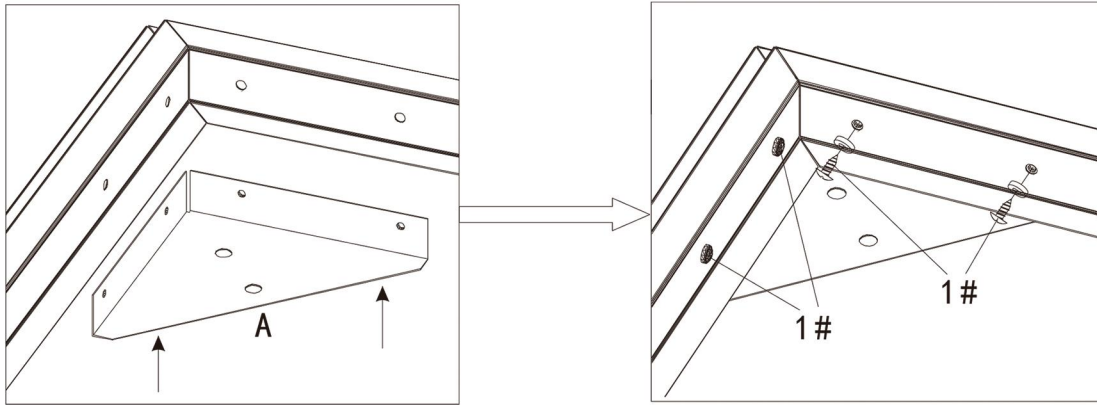
⚠ Attention: four corners MUST be right angles and check if the two diagonal distance of square is equal by tape measure

Plastic Gaskets 1# x16



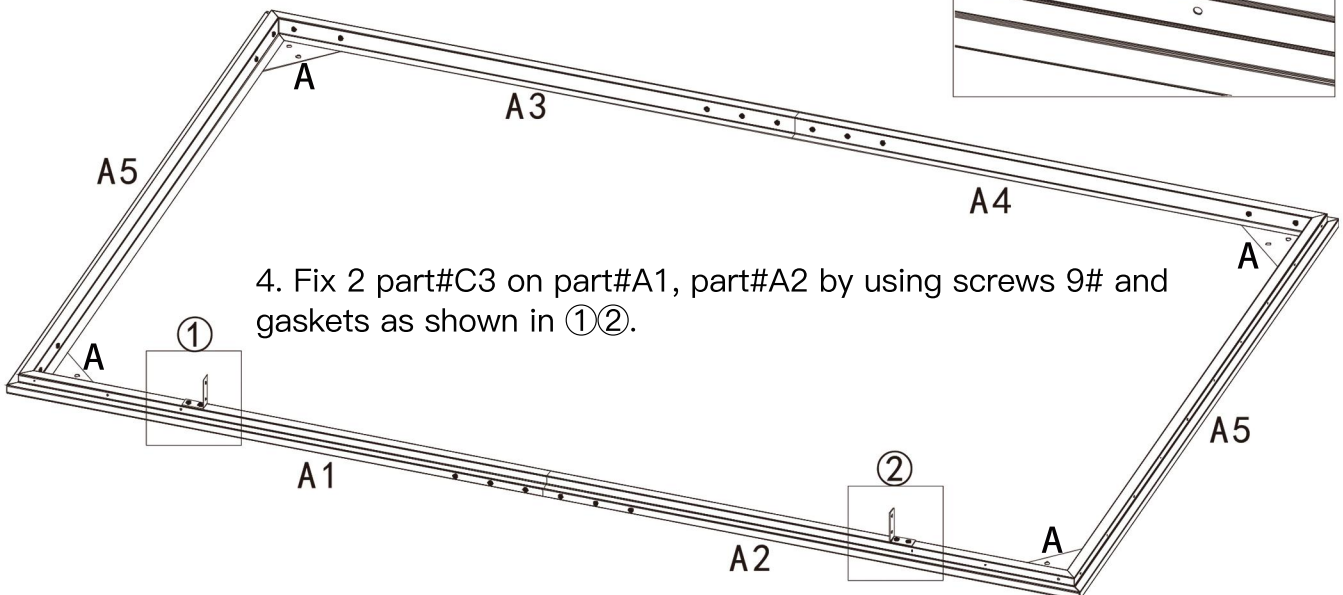
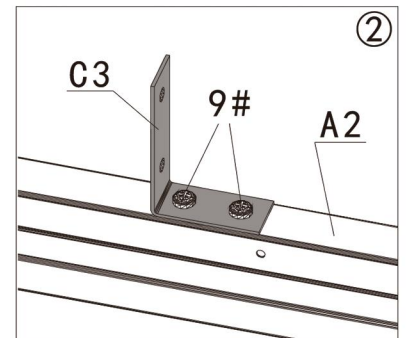
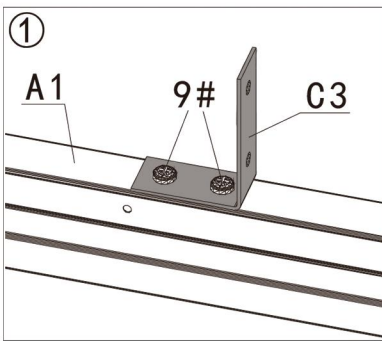
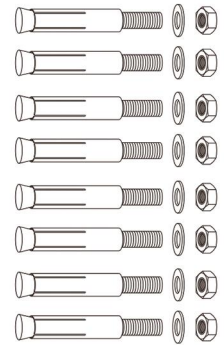
Plastic Gaskets 9# x4

2. Fix the corners with part#A and fasten with screws 1# and gaskets.

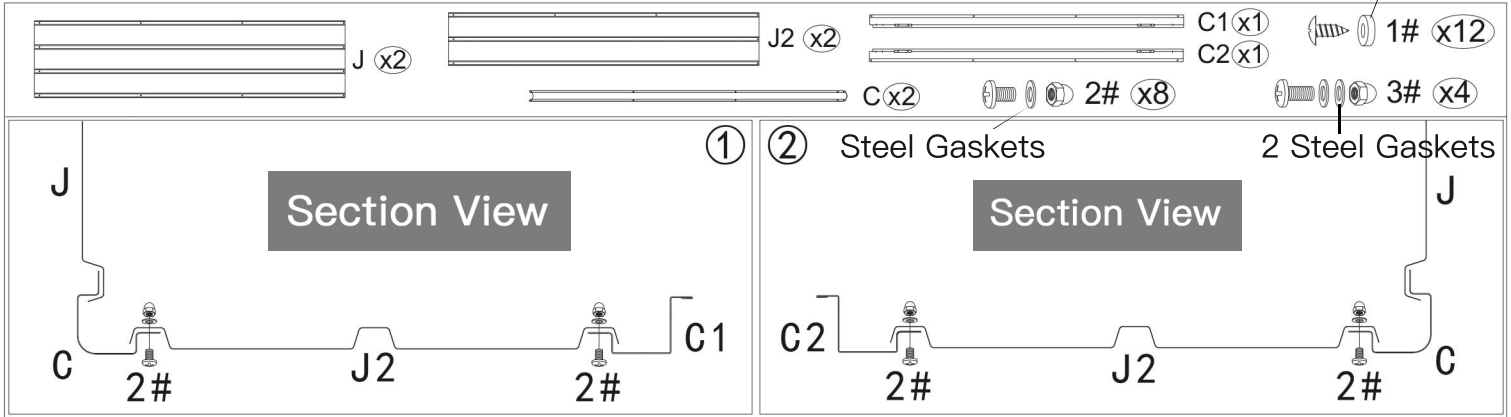


3. You need to prepare bolts by yourself to secure the frame to the ground.

M6-8 pcs

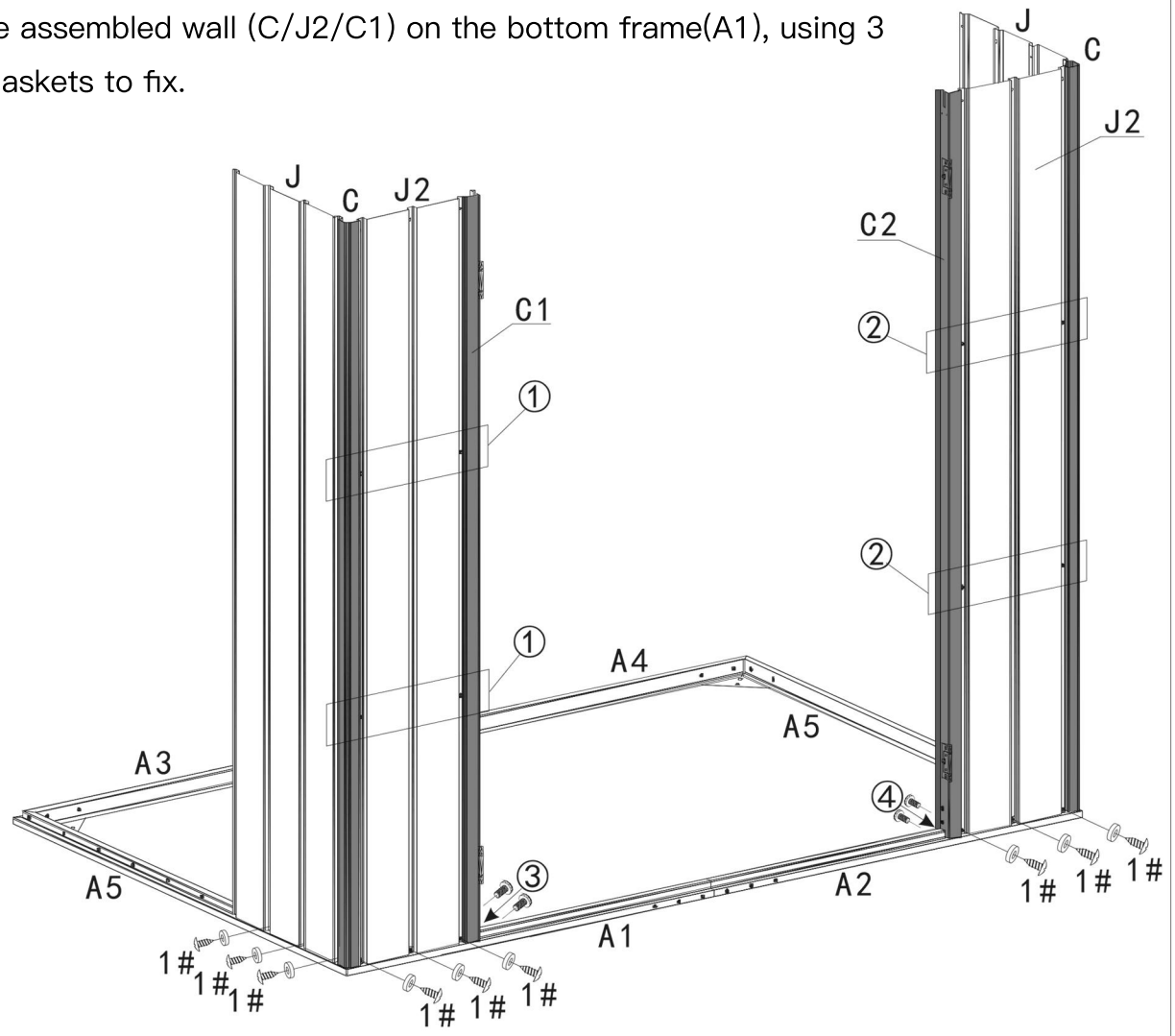


4. Fix 2 part#C3 on part#A1, part#A2 by using screws 9# and gaskets as shown in ①②.



Step 1: Install part #C/J2/C1 with screws 2#, gaskets and nuts as shown in ①.

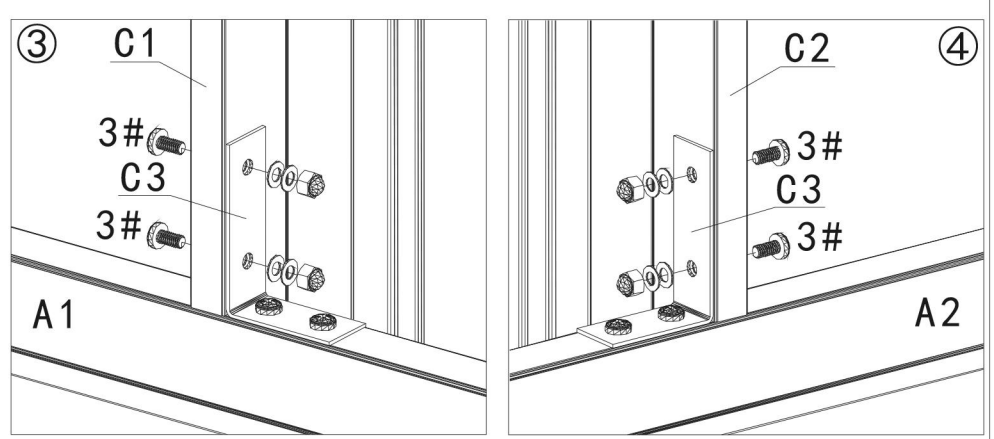
Step 2: Place the assembled wall (C/J2/C1) on the bottom frame(A1), using 3 screws 1# and gaskets to fix.

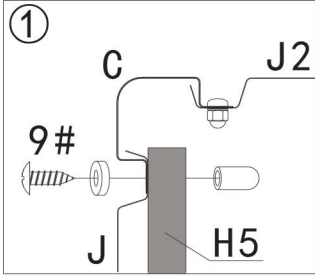
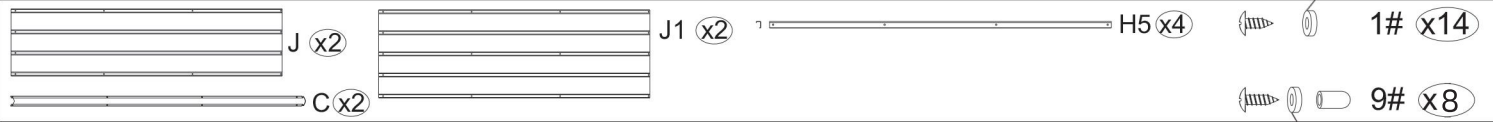


Step 3: Place part#J on the bottom frame(A5), using 3 screws 1# and gaskets to fix.

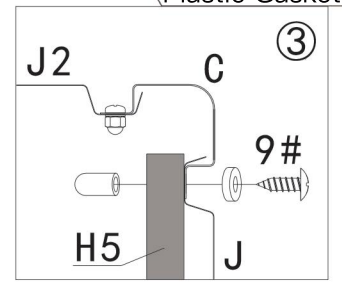
Repeat the above procedures to assemble the another side.

Step 4: Fix the part #C3 to the part #C1(C2) with 2 screws 3#, gaskets and nuts each as shown in ③④.

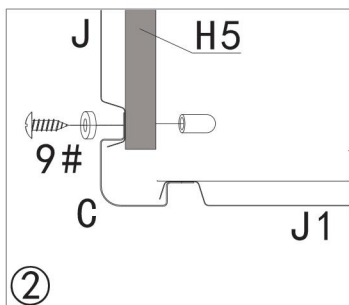
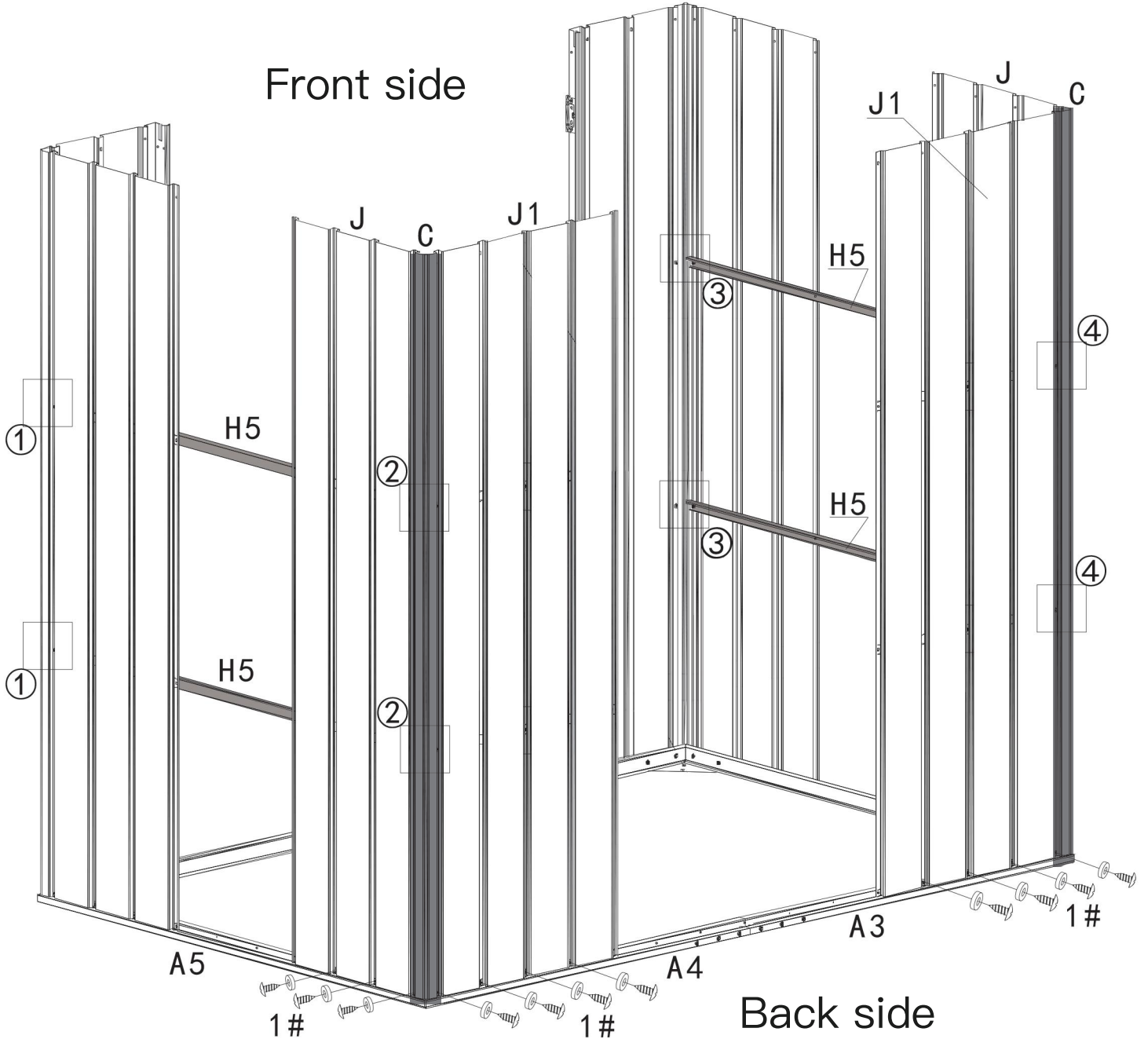




Step1: Place part #J/C/J1 on the bottom frame (A4/A5), using 7 screws 1# and gaskets to fix.

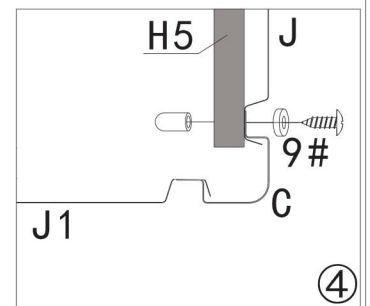


Front side

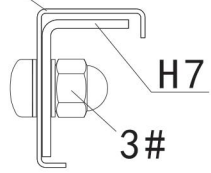
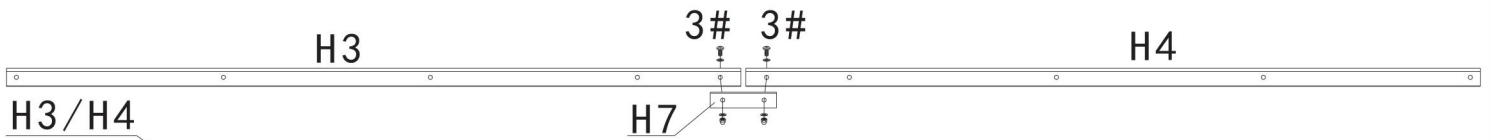


Step2: Installed 2 part#H5 with 4 screws 9# and gaskets, then put on the plastic caps as shown in ① ②.

Repeat the above procedures to assemble the another side as shown in ③ ④.

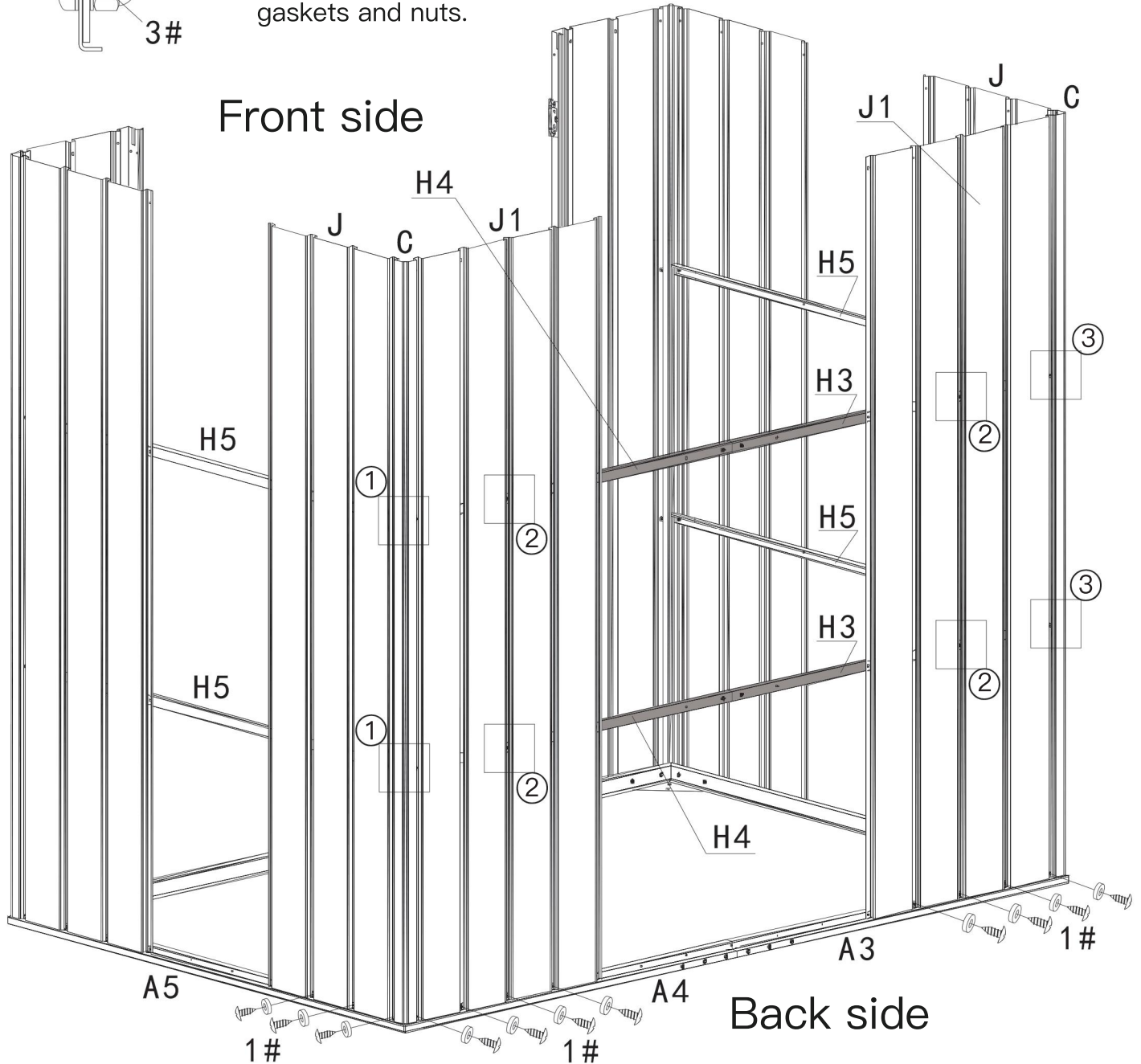




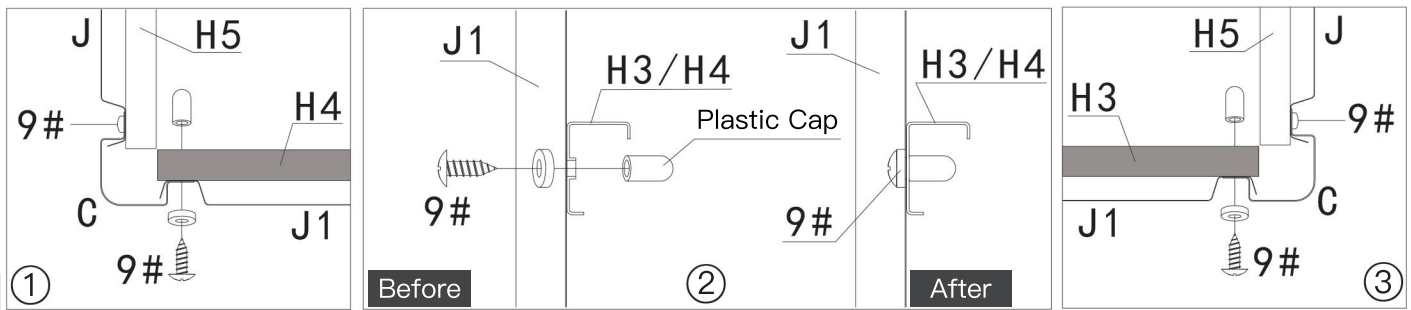


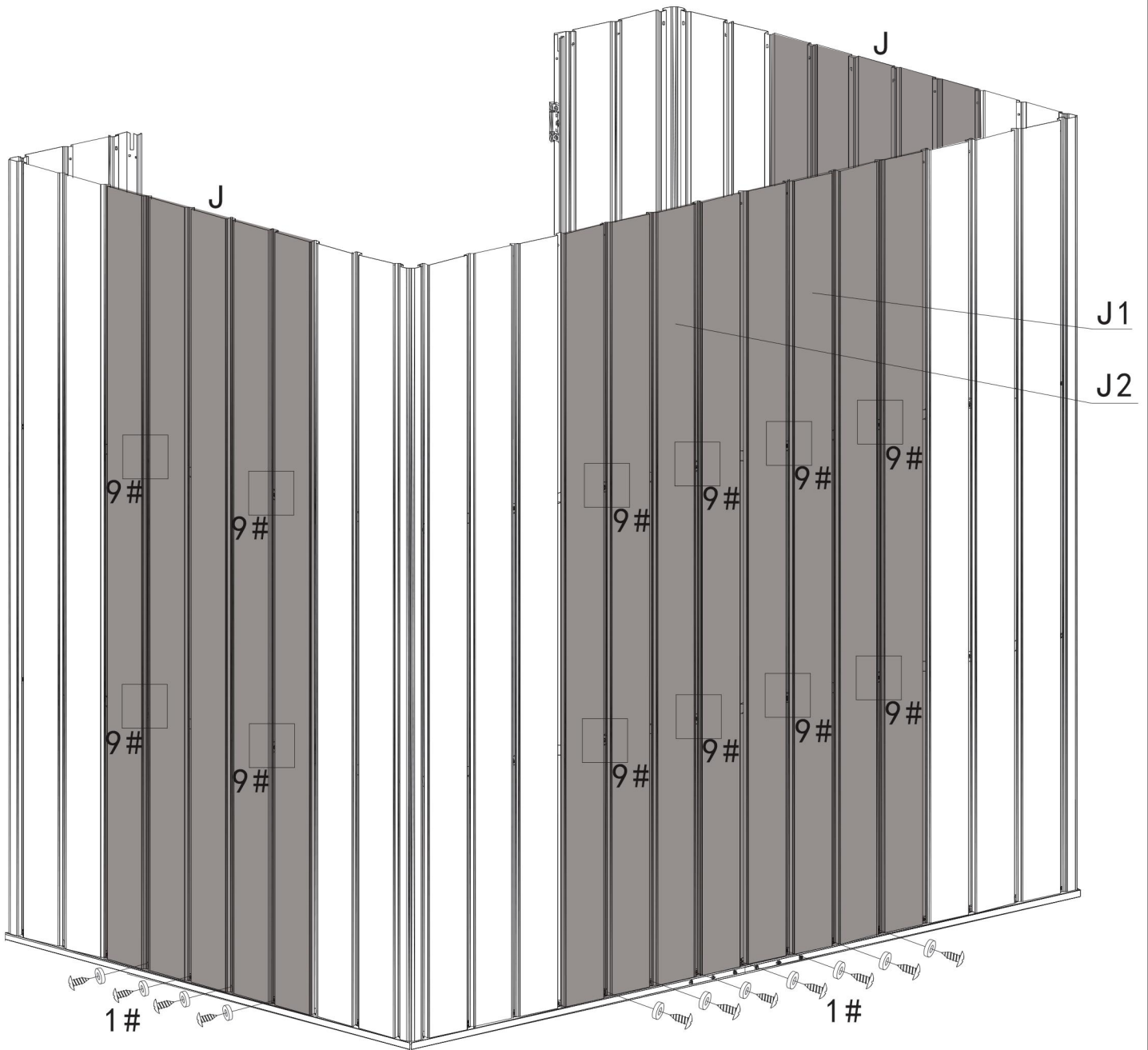
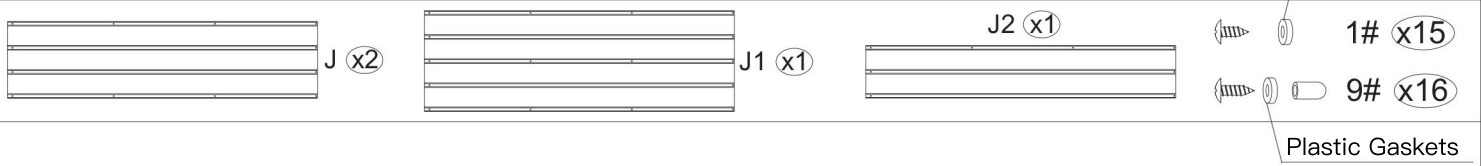
Use part#H7 to connect part#H3 and part#H4, and fix by screws 3#, gaskets and nuts.

### Front side



Installed 2 assembled part#H3/H4 with 8 screws 9# and gaskets, then put on the plastic caps as shown in ① ② ③.

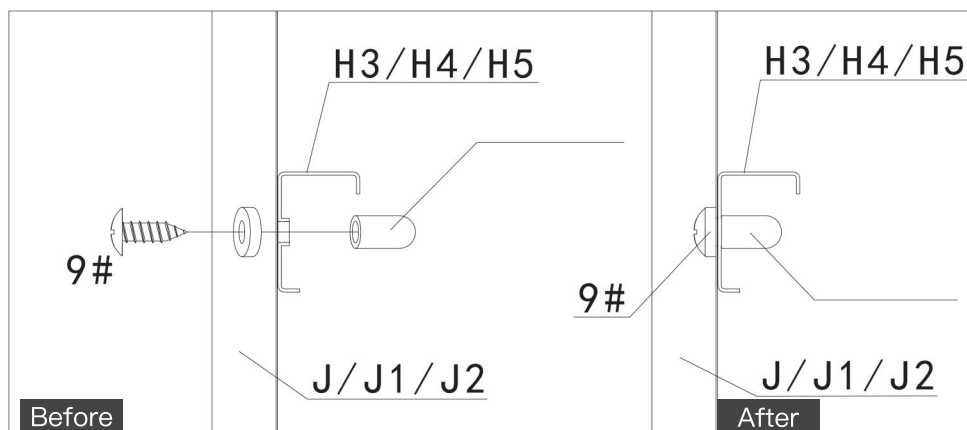


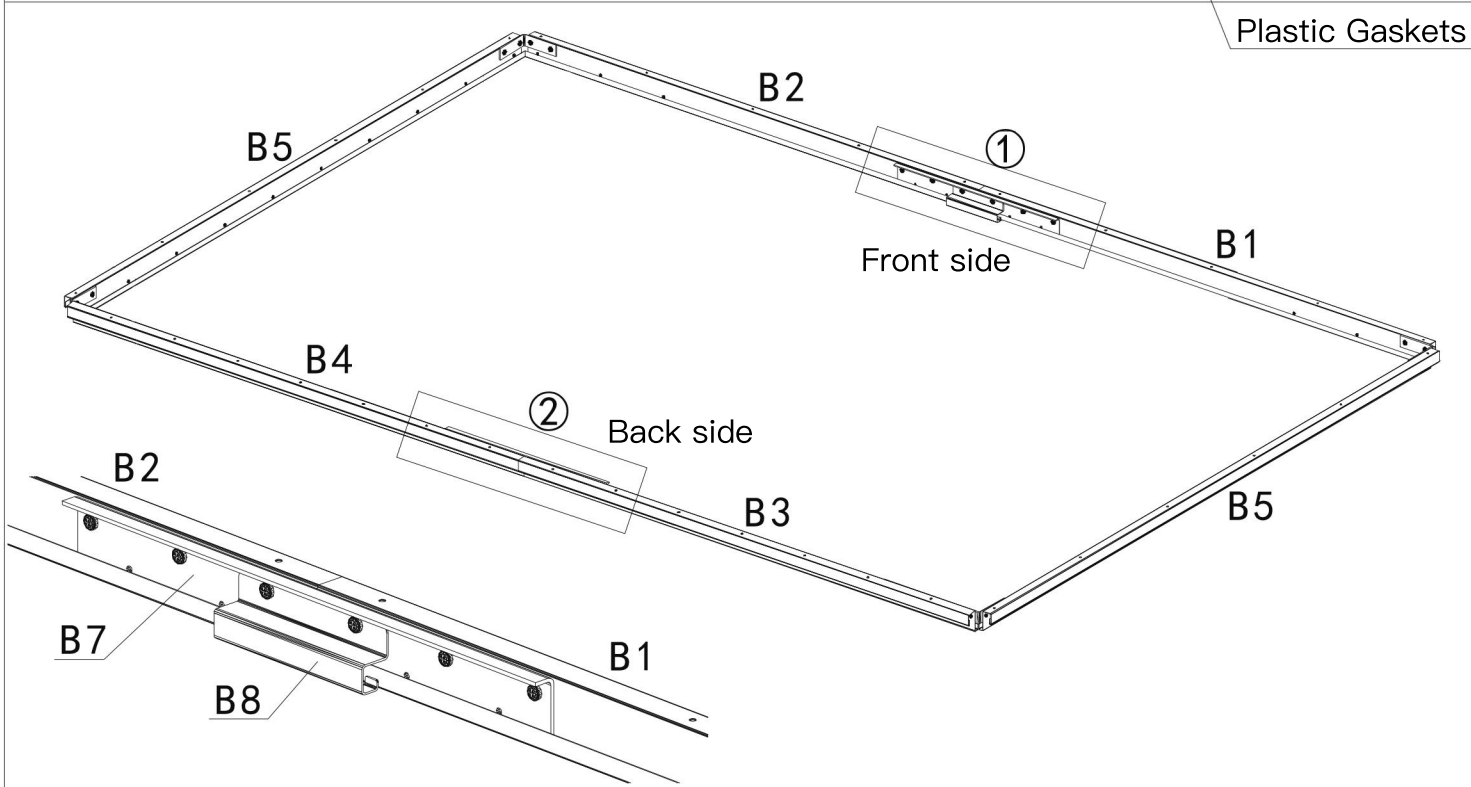
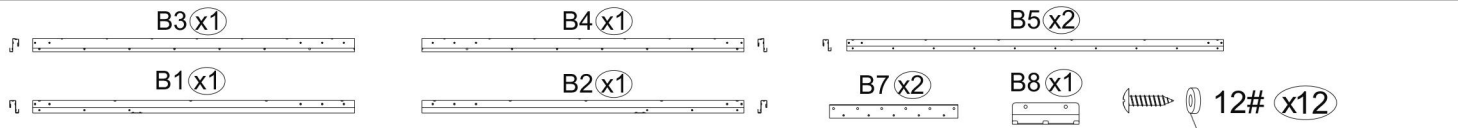


Install part#J1/J2: Use screws 1# and gaskets to fix them on the bottom frame.

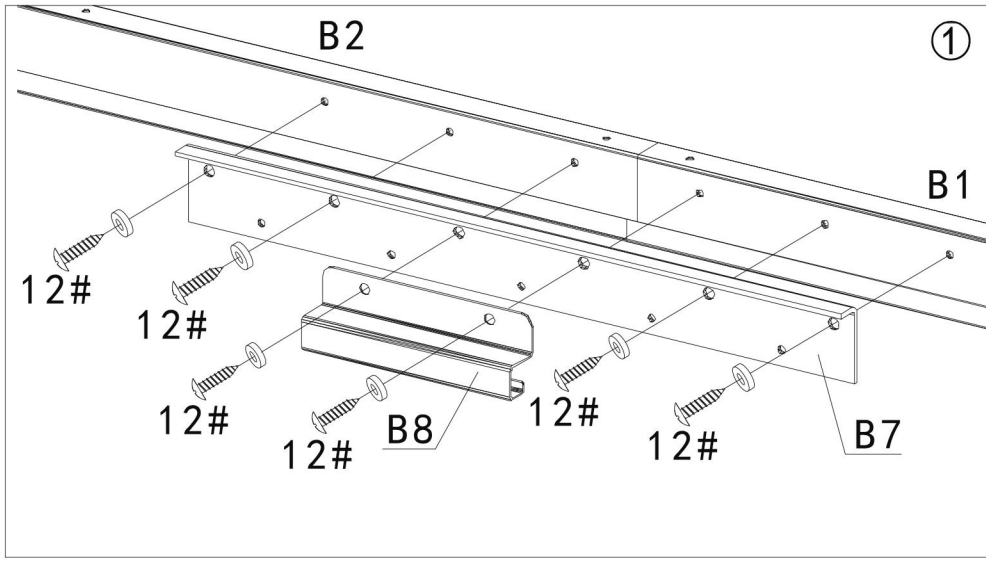
Fix part #H3/H4/H5 to part#J1/J2 with screws 9# and gaskets, then put on the plastic caps.

**Repeat the above procedures to assemble 2 part #J on side wall.**

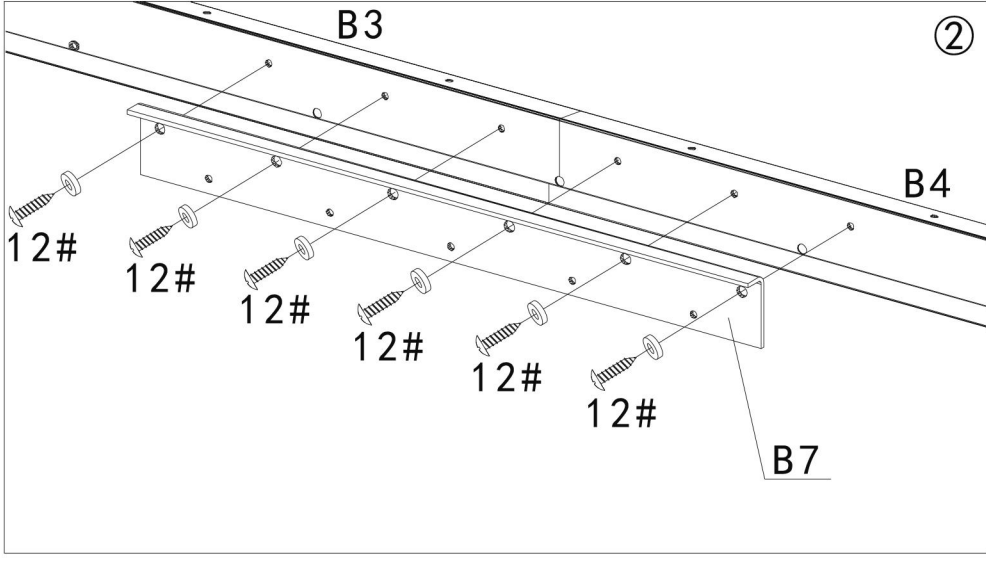




Plastic Gaskets



①  
 Firstly, connect part #B1 and part #B2;  
 Secondly, insert part #B7&B8 on the inside of part #B1/B2 with screws 12# and gaskets as shown in ①.



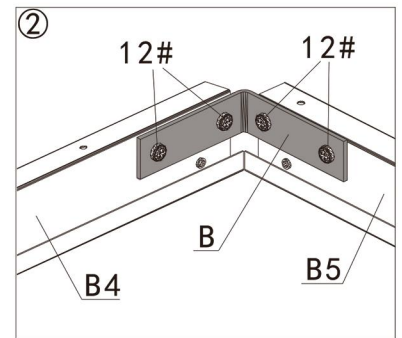
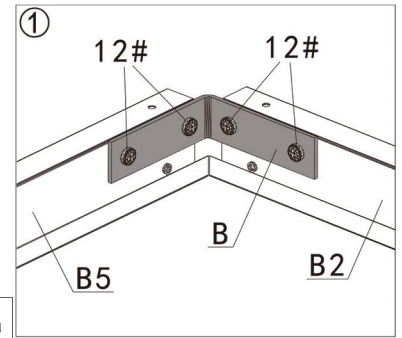
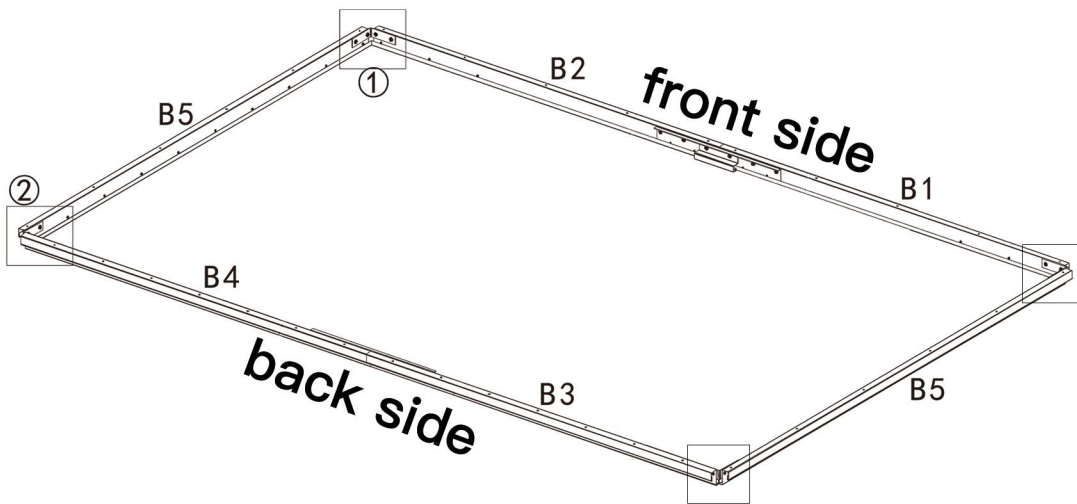
②  
 Insert part #B7 on the inside of part #B3/B4 with screws 12# and gaskets as shown in ②.

12# x16  
Plastic Gaskets

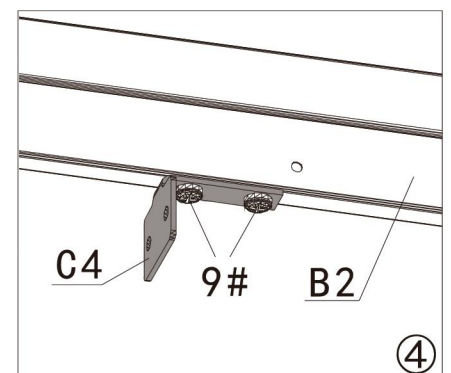
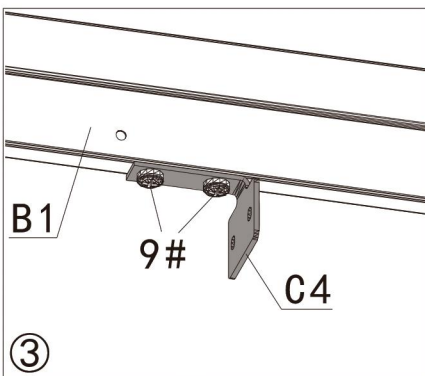
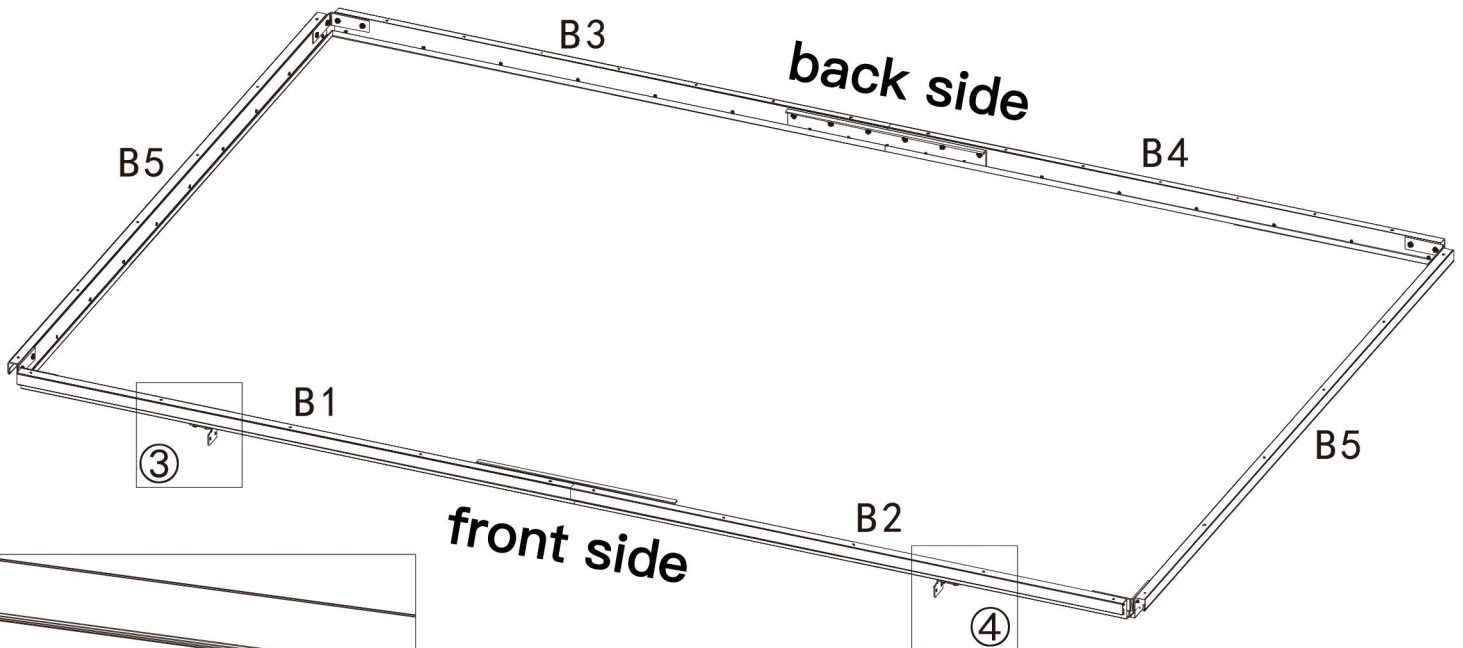
C4 x2

9# x4  
Plastic Gaskets

B x4

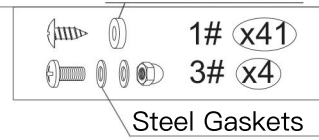
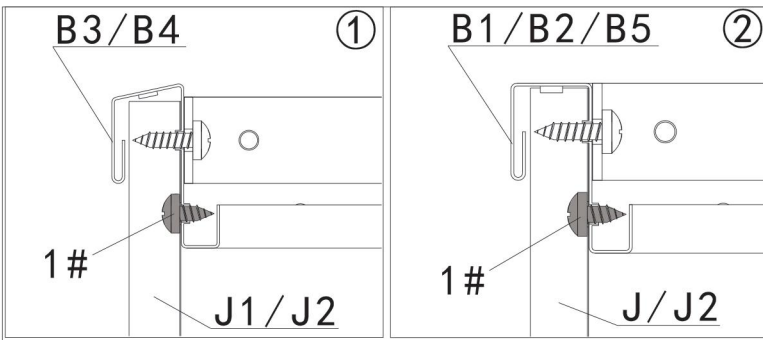


Enclose with part#B1/B2, part#B3/B4, 2 part#B5 according to the figure above, and the part#B connects the four corners, then fixed with screws 12# and gaskets as shown in ①②.

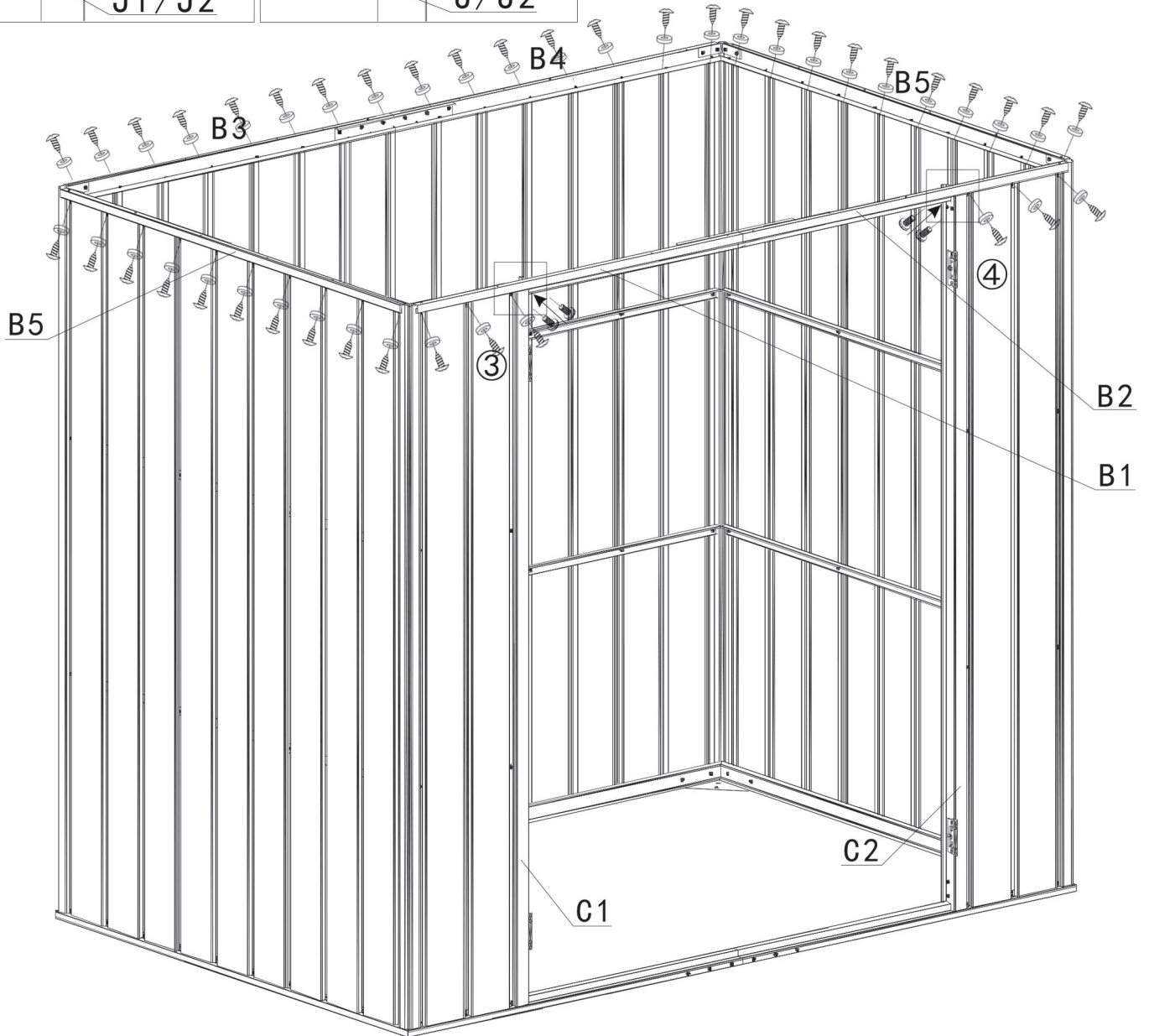


Fix 2 part#C4 on part #B1, part #B2 by screws 9# and gaskets as shown in ③ ④.

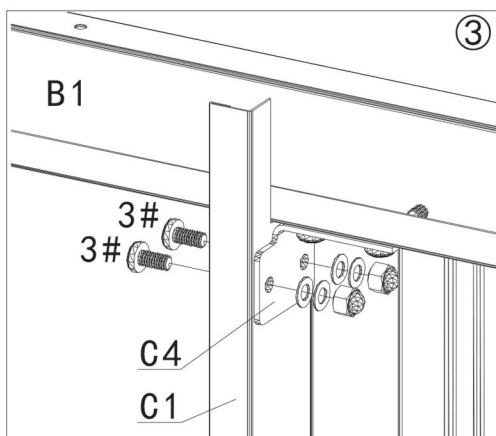
**!** You can also install the top frame on each wall separately.



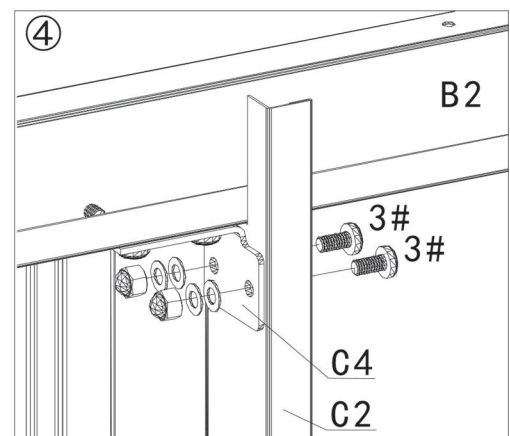
Place the assembled beam (B1/B2, B3/B4, B5) on the upper end of the wall panel, and fix with the screws 1# and gaskets as shown in ①②.



Fix the upper end of the part#C1/C2 with part#B1/B2 and part#C4 by using screws 3#, the nuts and gaskets are on the back side as shown in ③④.



Inside View



Inside View



D1(x2)

D2(x2)

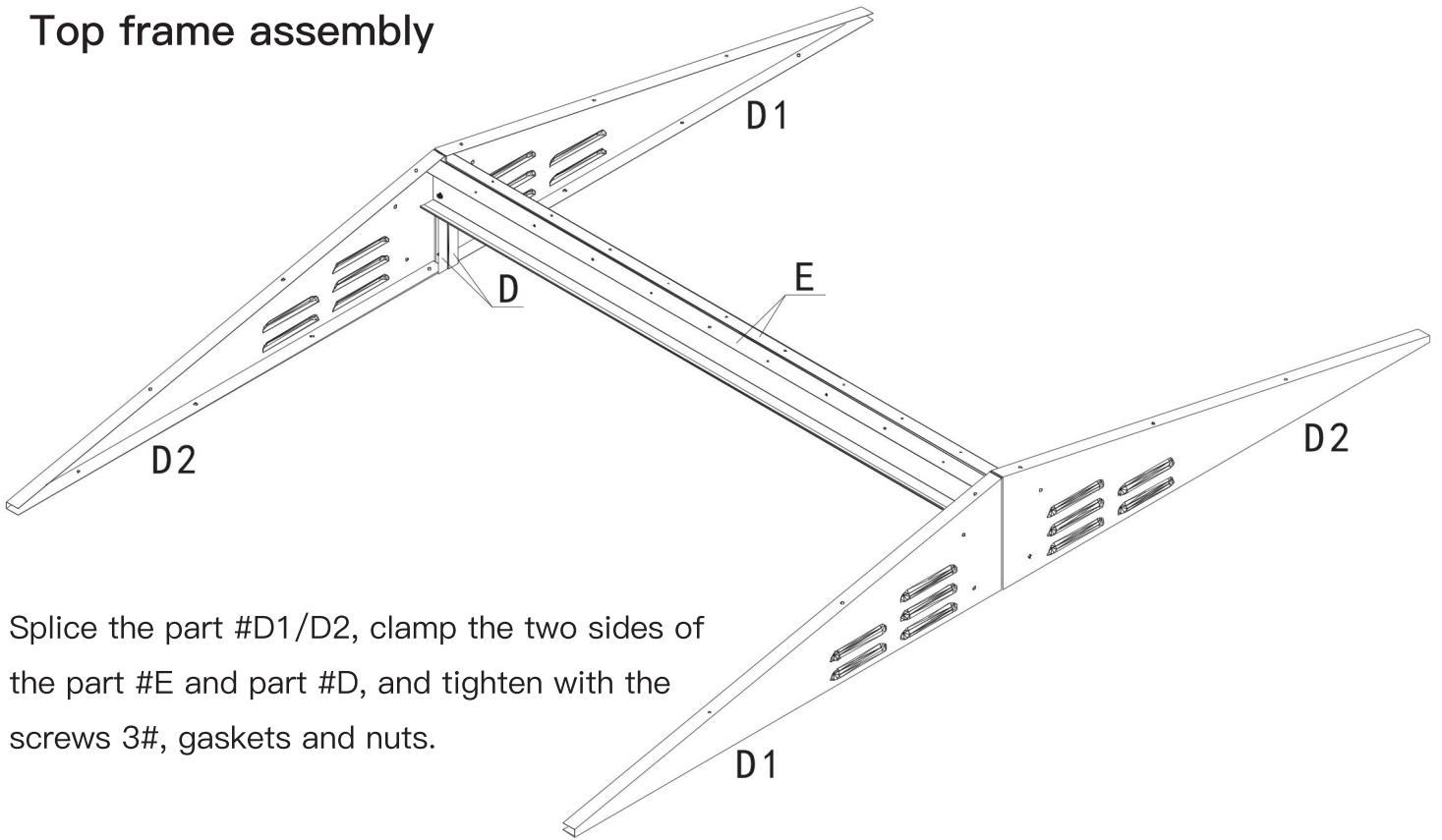
E(x2)

D(x4)

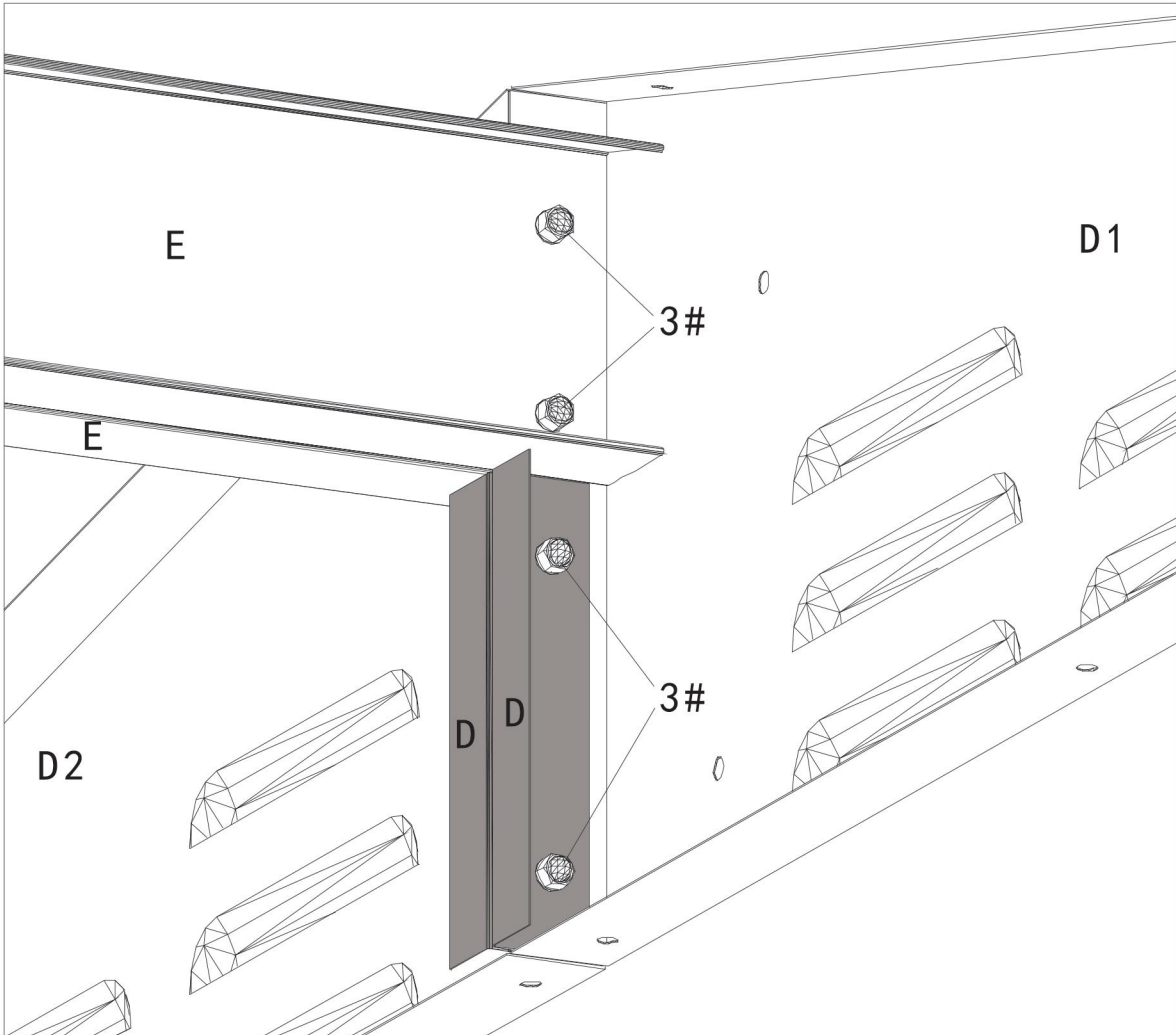
3#(x8)

2 Steel Gaskets

### Top frame assembly



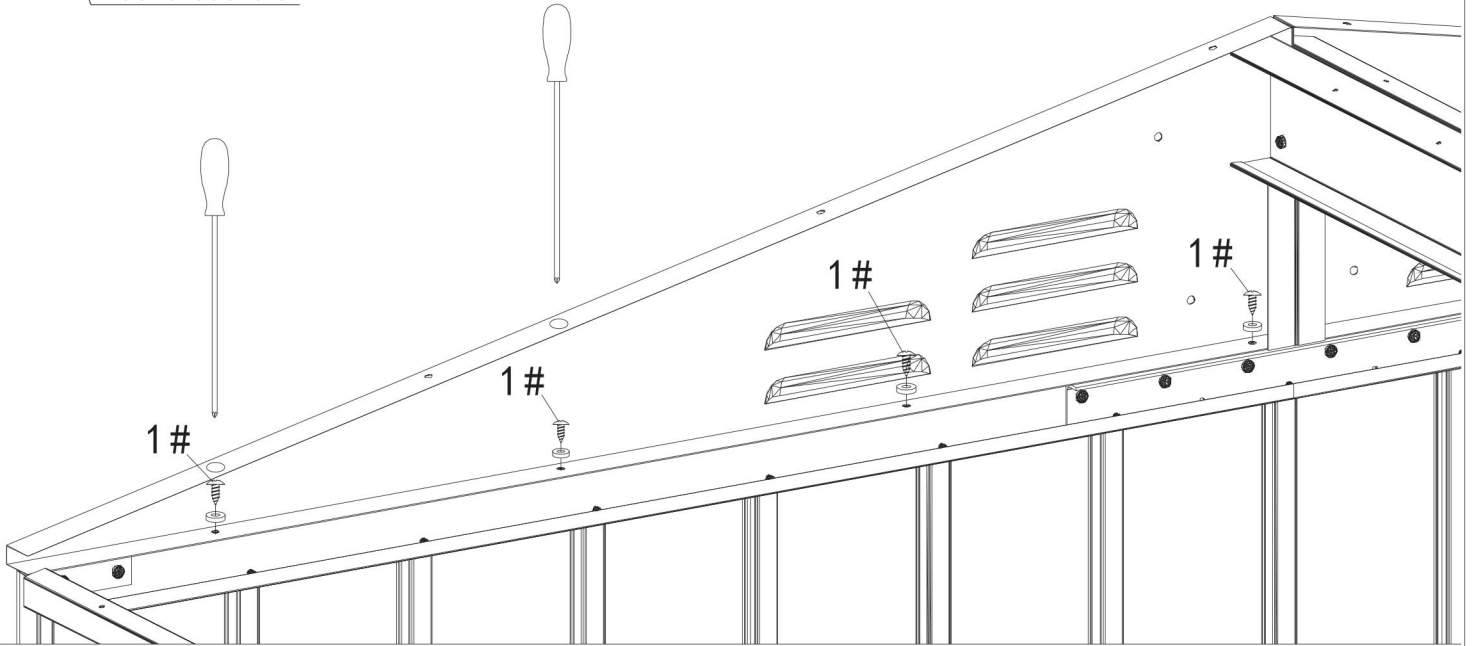
Splice the part #D1/D2, clamp the two sides of the part #E and part #D, and tighten with the screws 3#, gaskets and nuts.





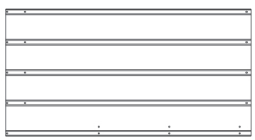
1# x16

Plastic Gaskets

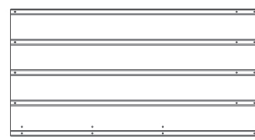


Put the top frame on beam (B1&B2&B3&B4), using 16 screws 1# and gaskets.





K1 (x2)



K3 (x2)

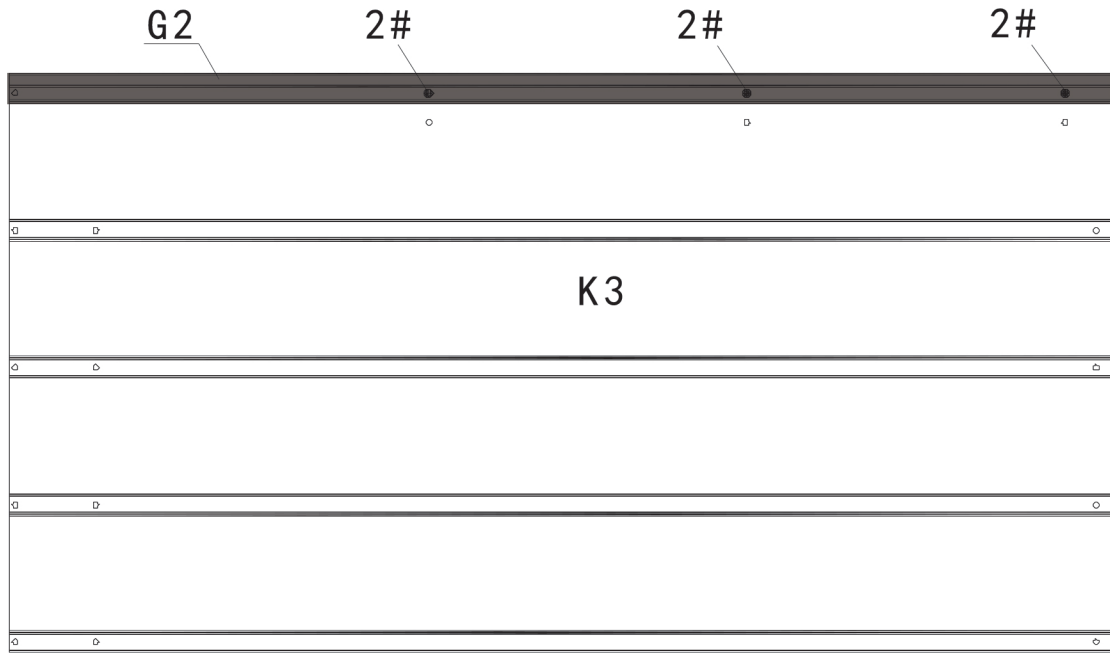


G1 (x2)



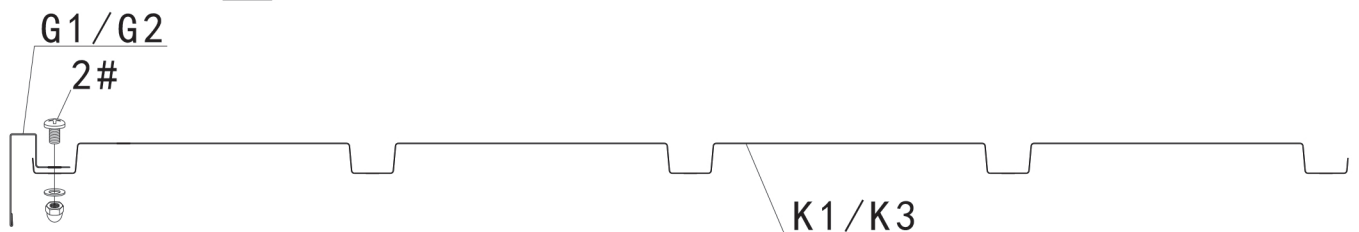
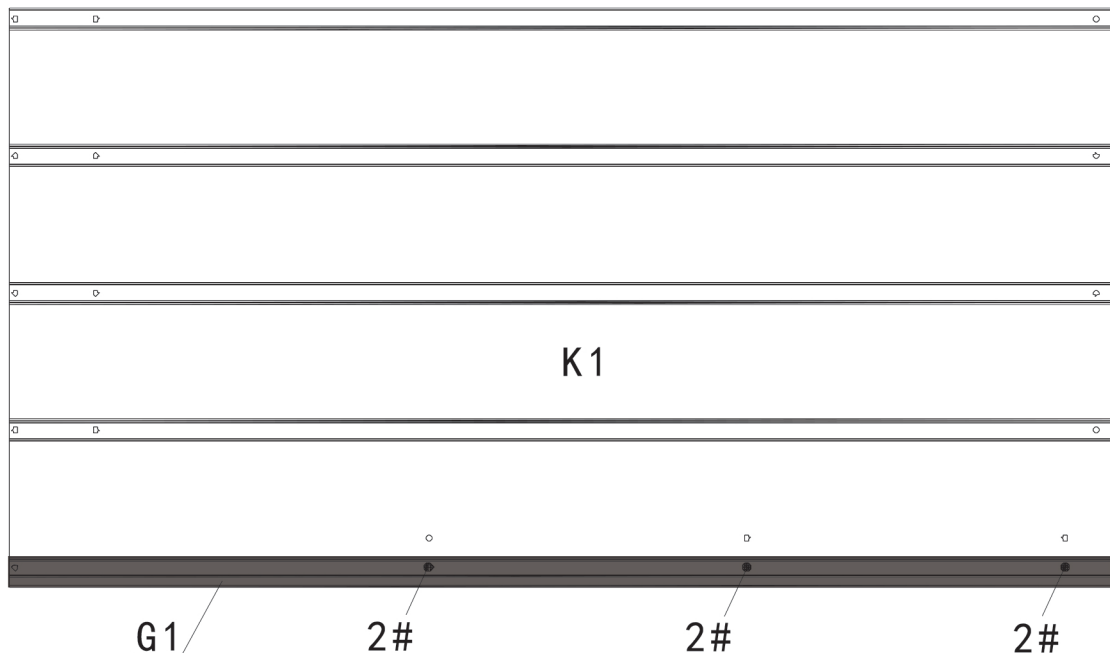
G2 (x2)

Steel Gaskets  
2# (x12)



## ASSEMBLE THE TOP ROOF

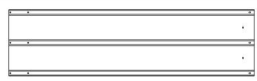
Assemble the part #G1/G2 to the one side of part #K1/K3 with screws 2#, gaskets and nuts.



**Section View**

Steel Gaskets

Plastic Caps



K2 (x2)



Z (x18)



1# (x18)



2# (x8)



4# (x18)

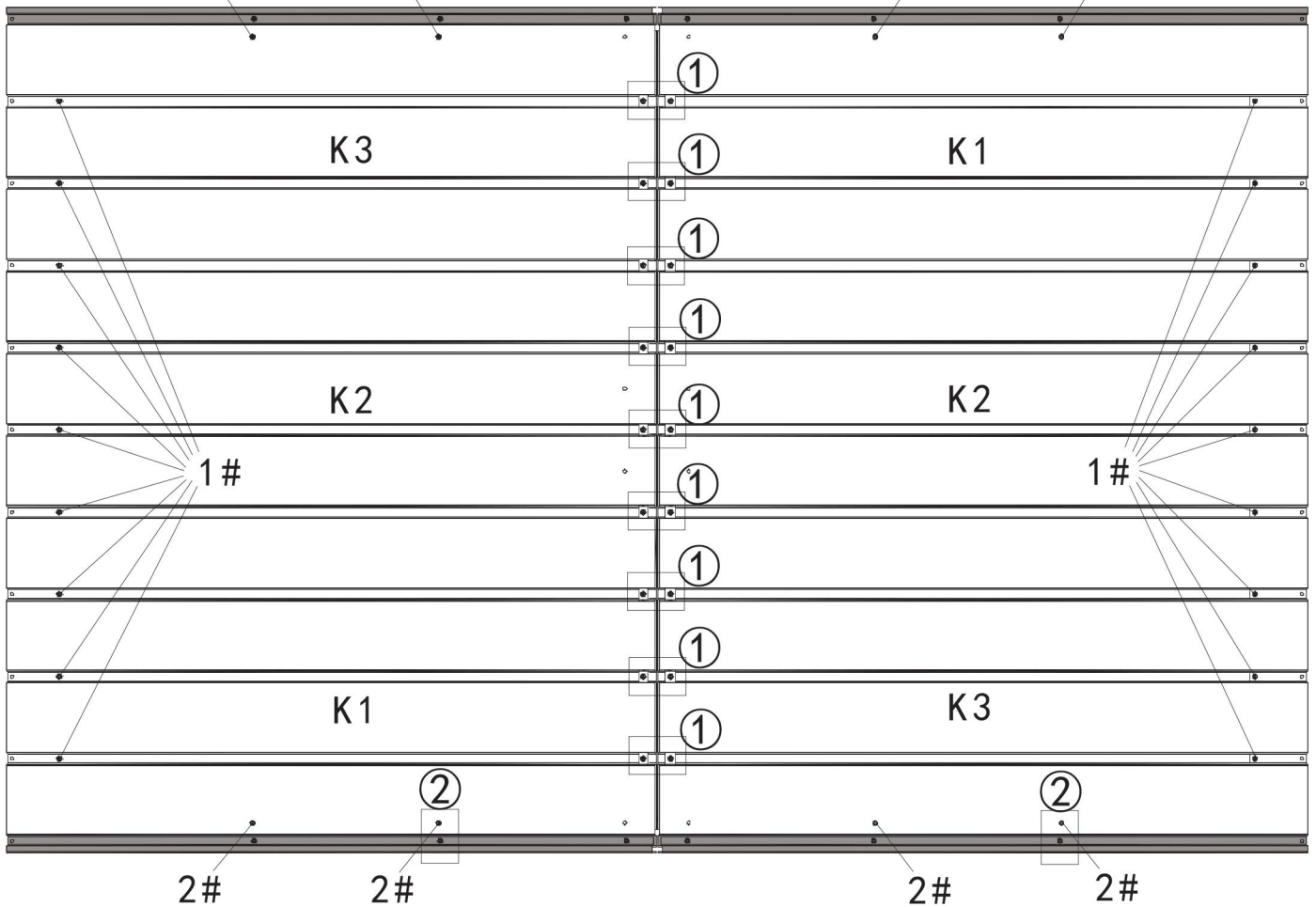
2#

2#

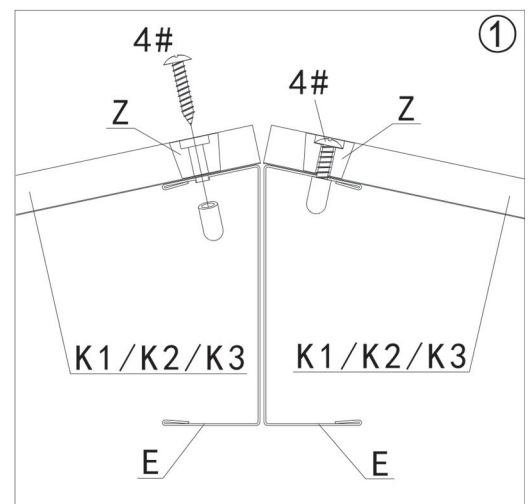
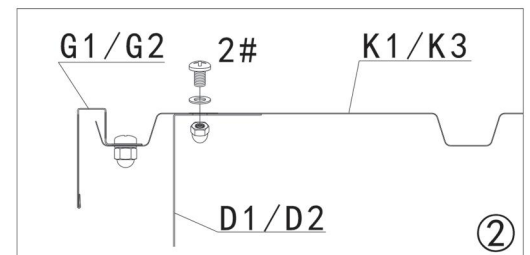
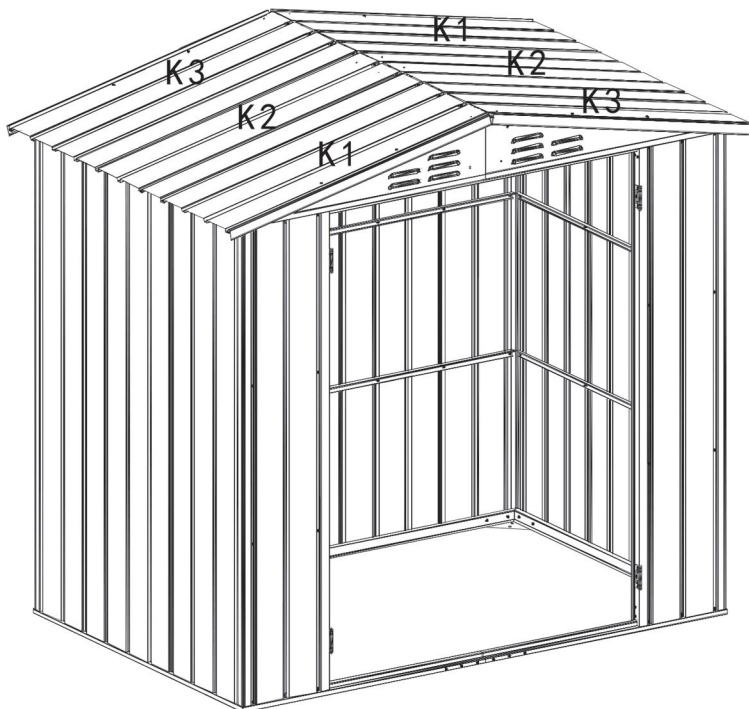
Plastic Gaskets

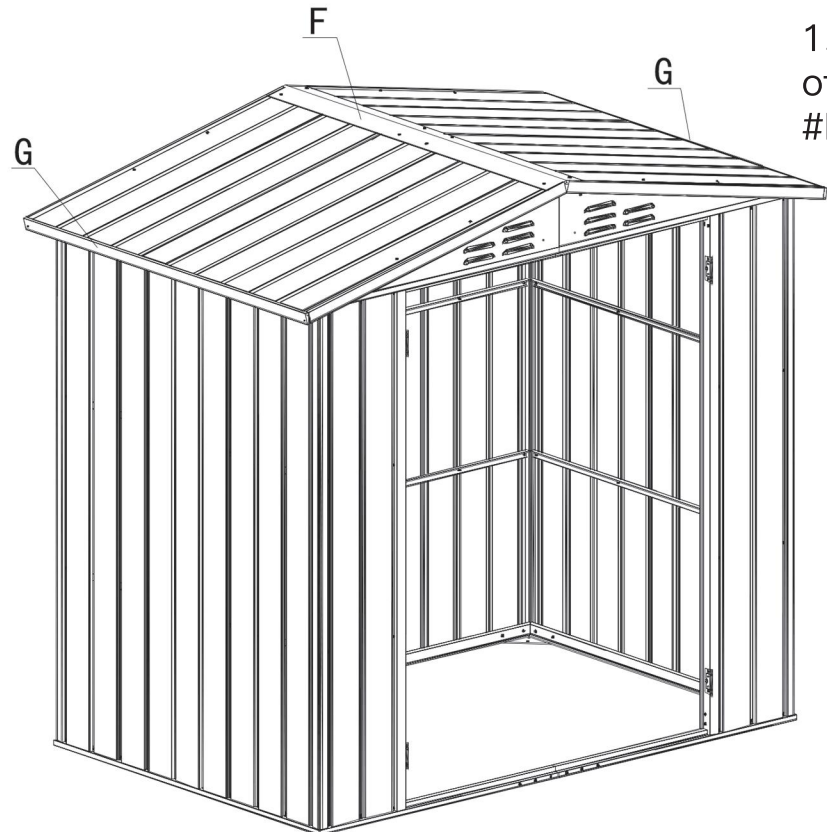
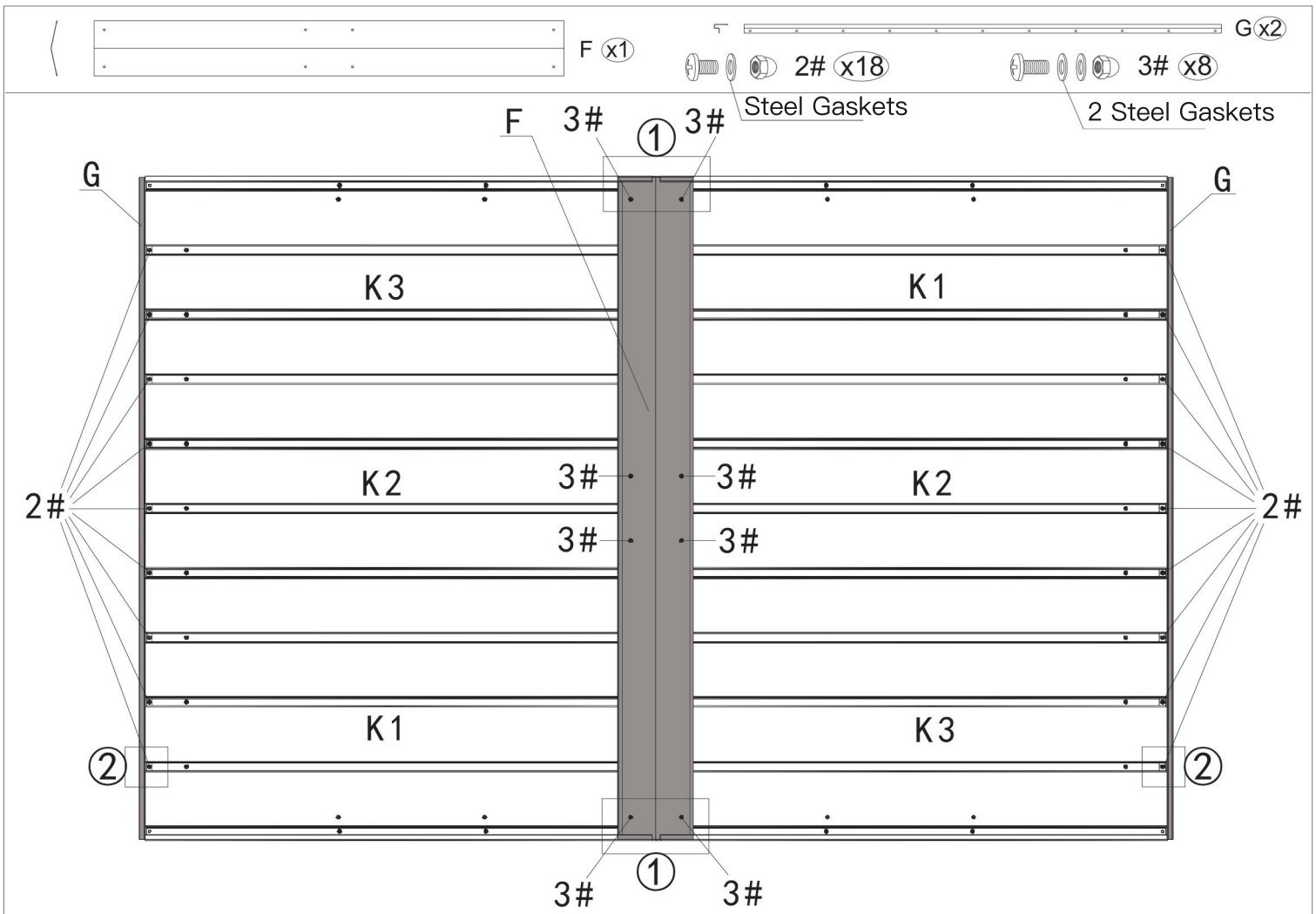
2#

2#

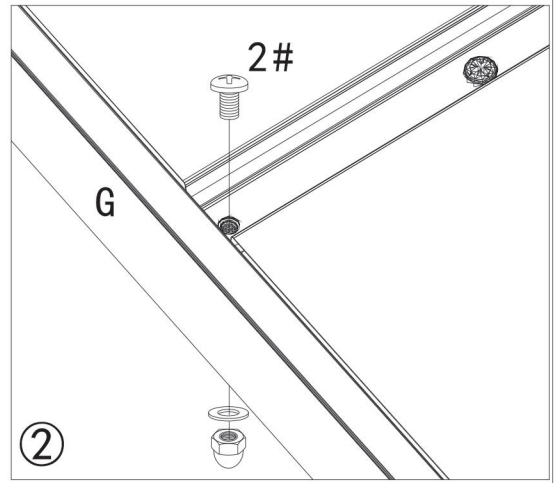
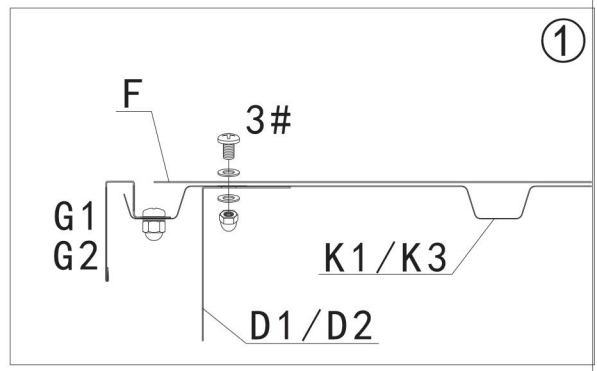


The roof panel part #K1/K2/K3 is laid in order; Part #Z shall be inserted at the fixed position of top beam and top roof to prevent rainwater intrusion as shown in ①; the roof panel K1/K3 is fixed with G1/G2 & D1/D2 by using screws 2#, gaskets and nuts as shown in ②, then fix with screw 1# and gaskets to side frame beam.

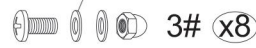




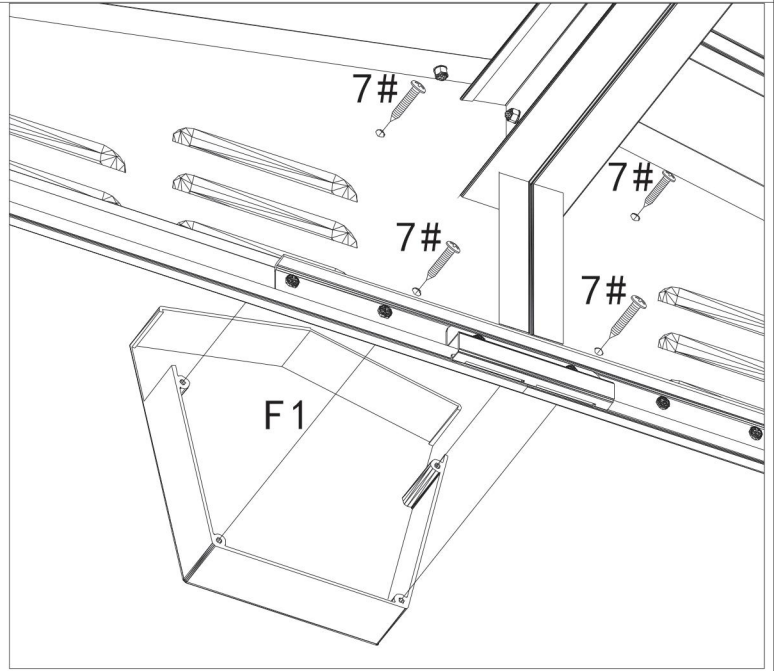
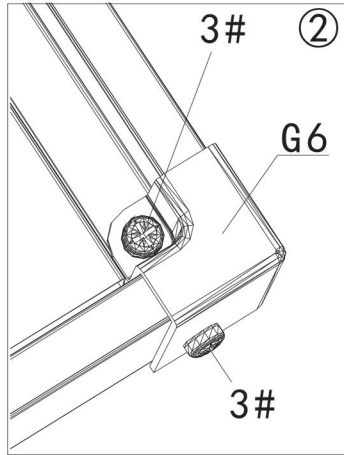
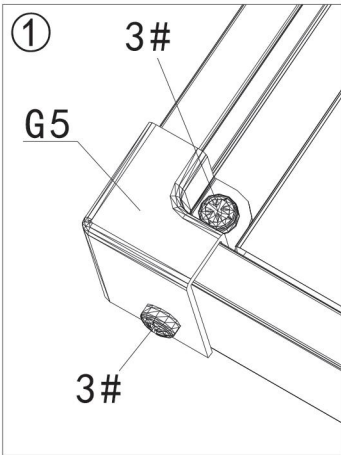
1. Install the part #F: Secure both ends of part #F to the part #K1/K3 and part #D1/D2, as shown in ①.



2. Plug part #G as shown in ②.

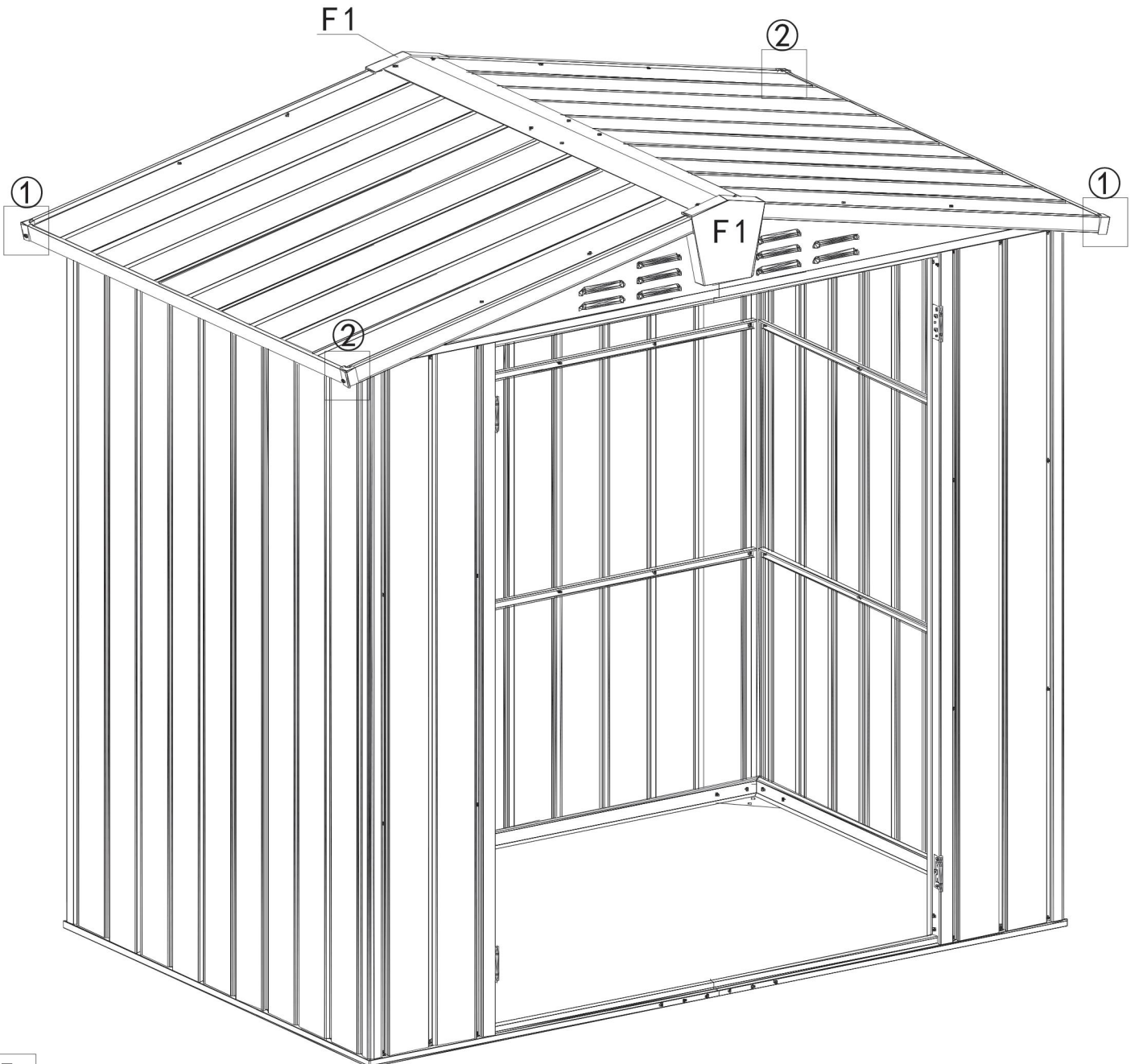


2 Steel Gaskets



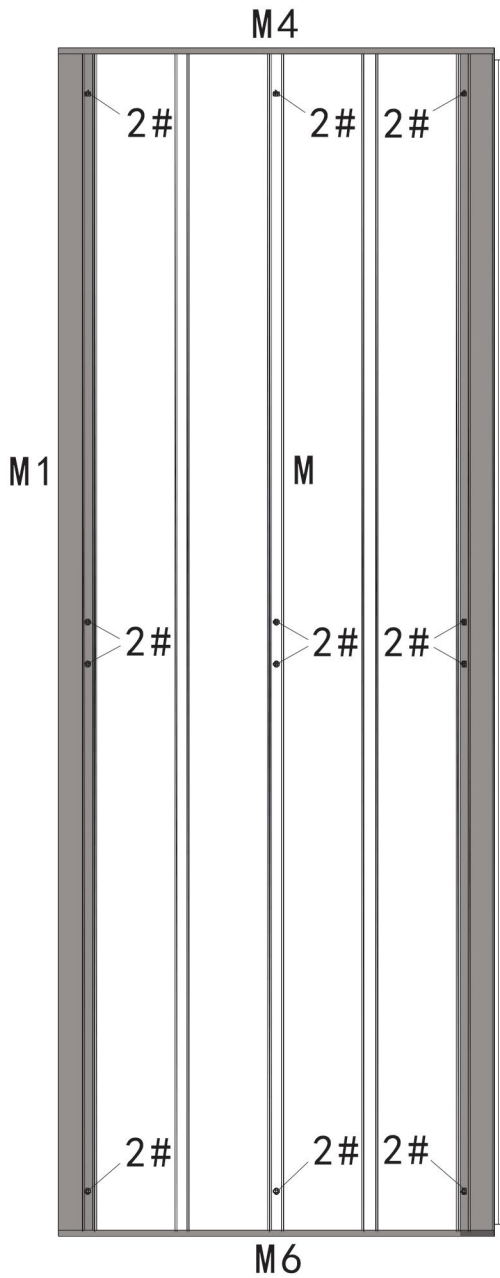
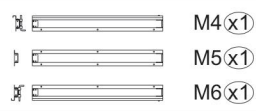
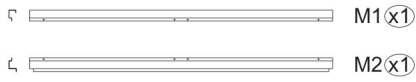
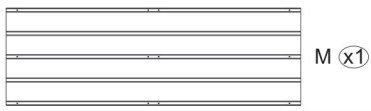
Install the part #G5/G6 with screws 3#, gaskets and nuts.

Use screws 7# to install the part #F1 from the inside.

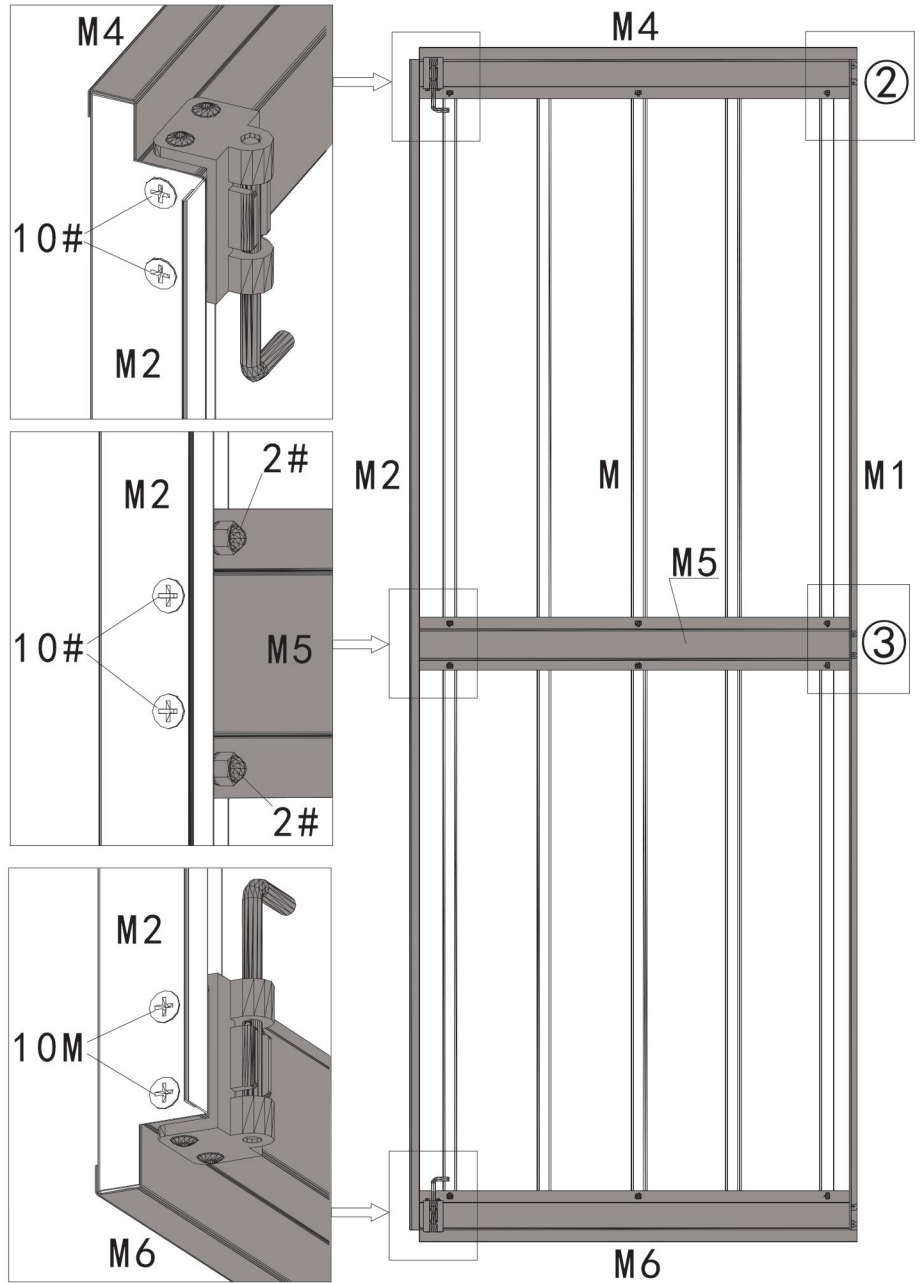




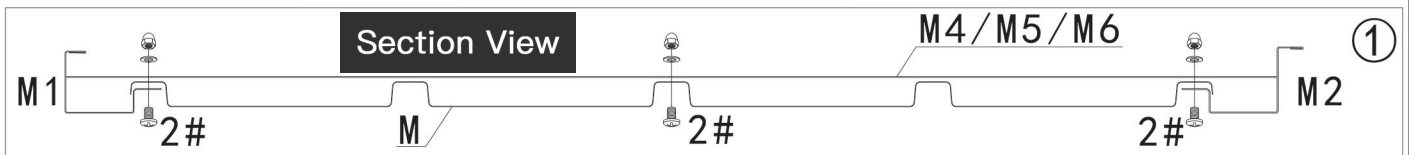
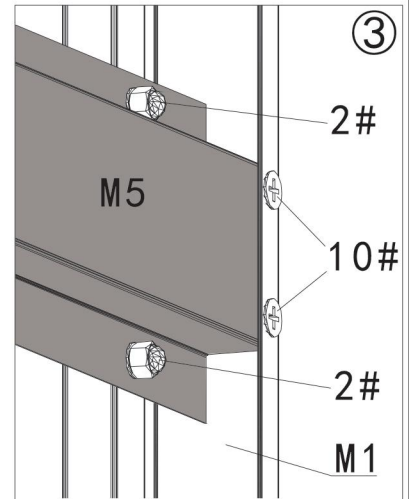
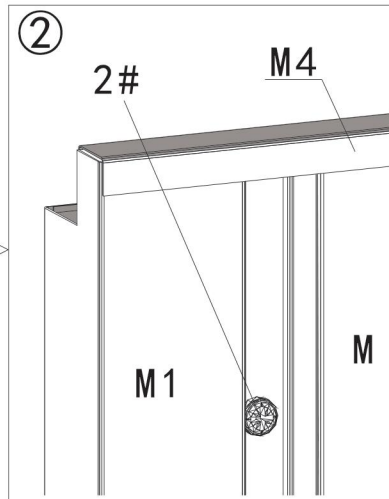
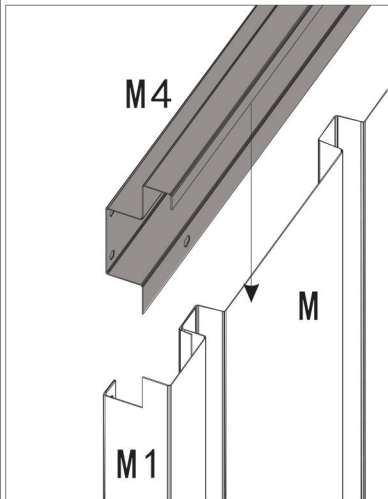
Steel Gaskets



The front side of the left door

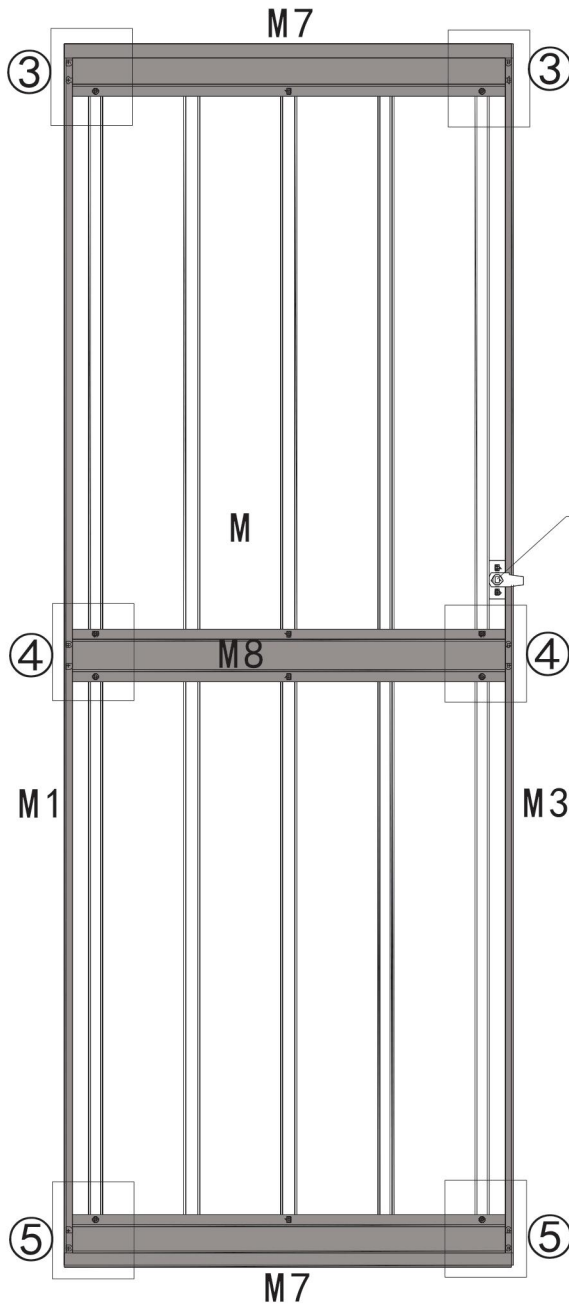
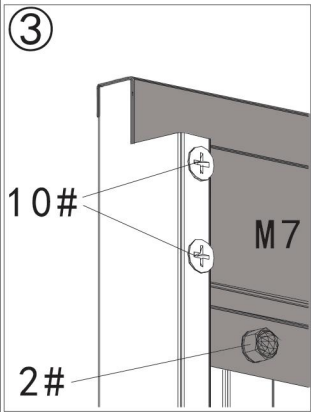
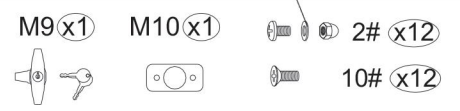
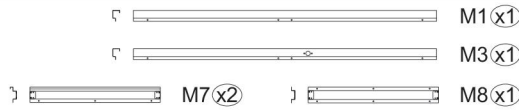
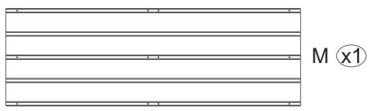


The back side of the left door

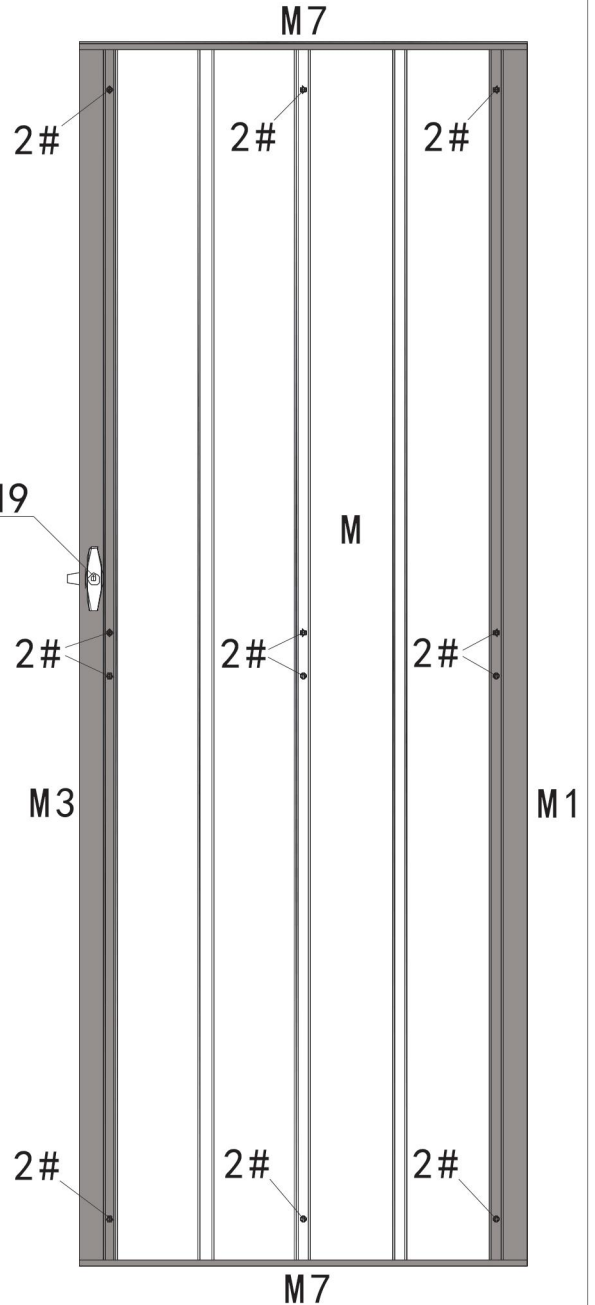




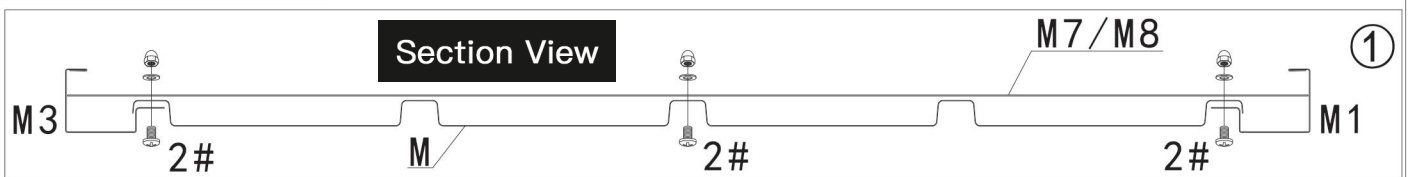
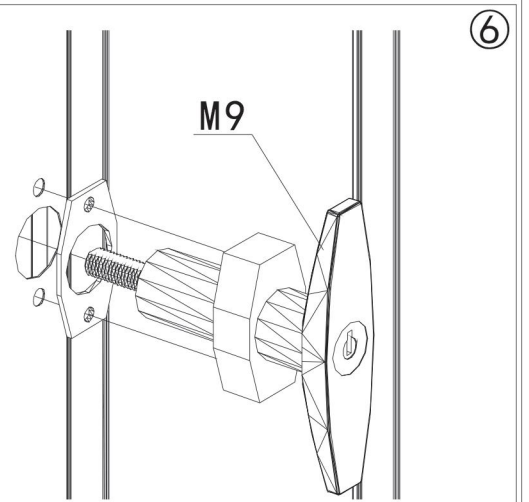
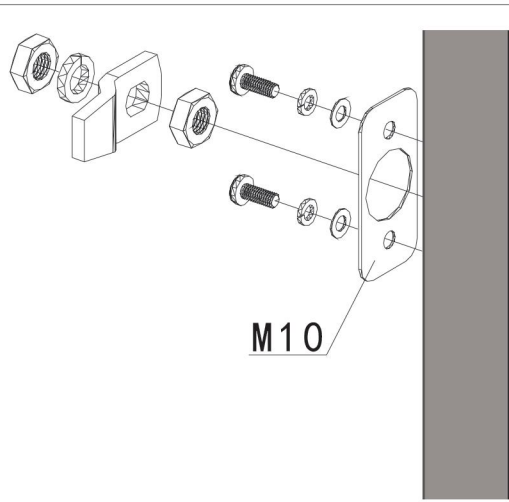
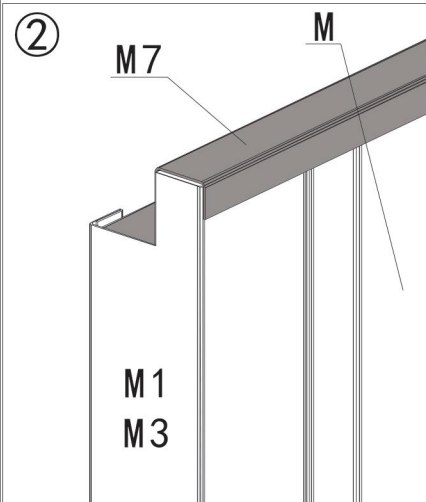
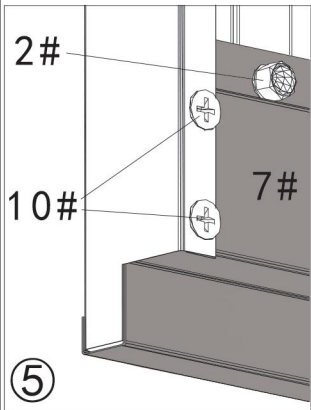
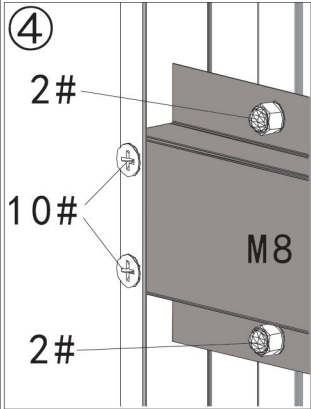
Steel Gaskets



The back side of the right door



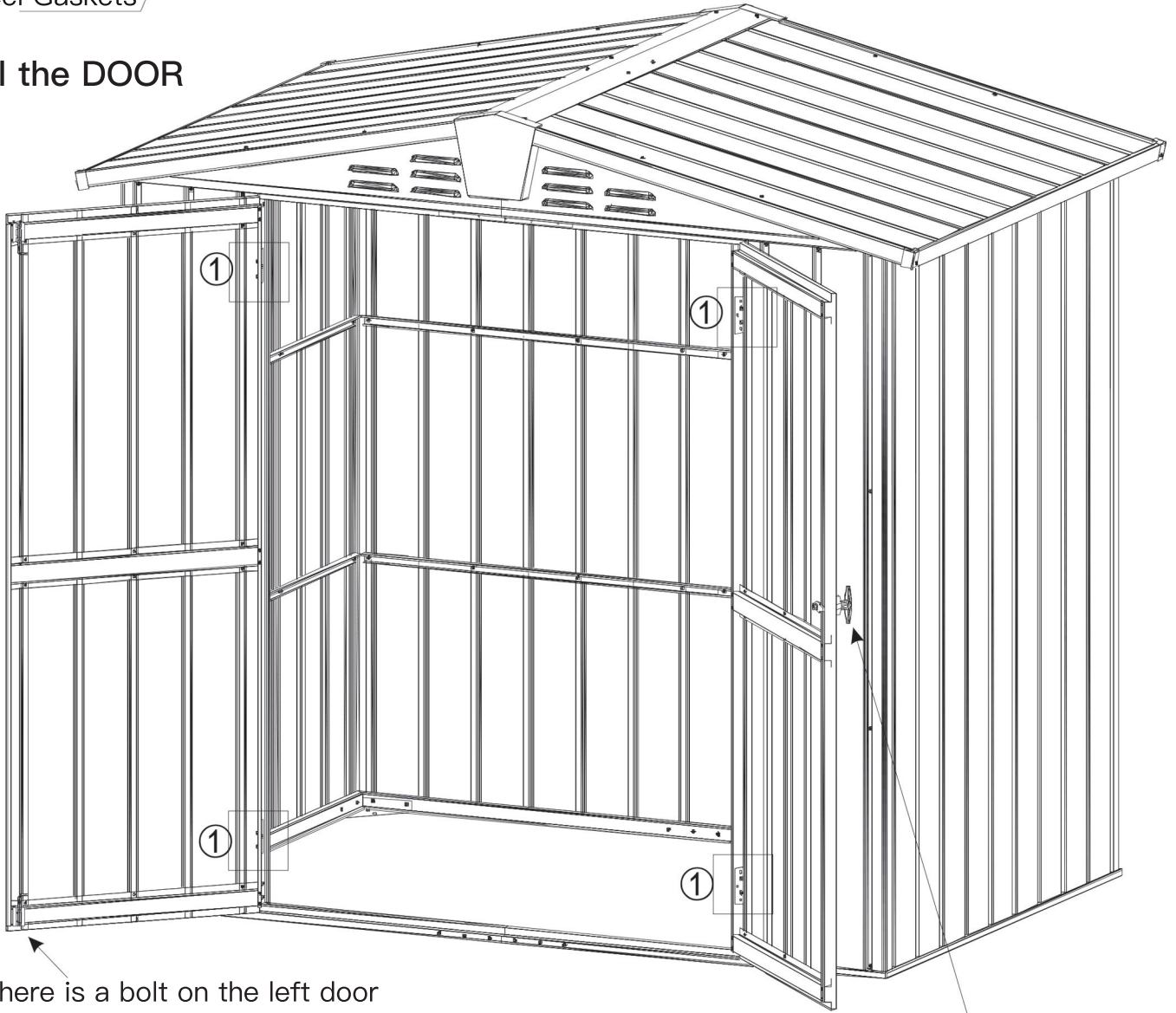
The front side of the right door



Y(x4) 8#(x8)

Steel Gaskets

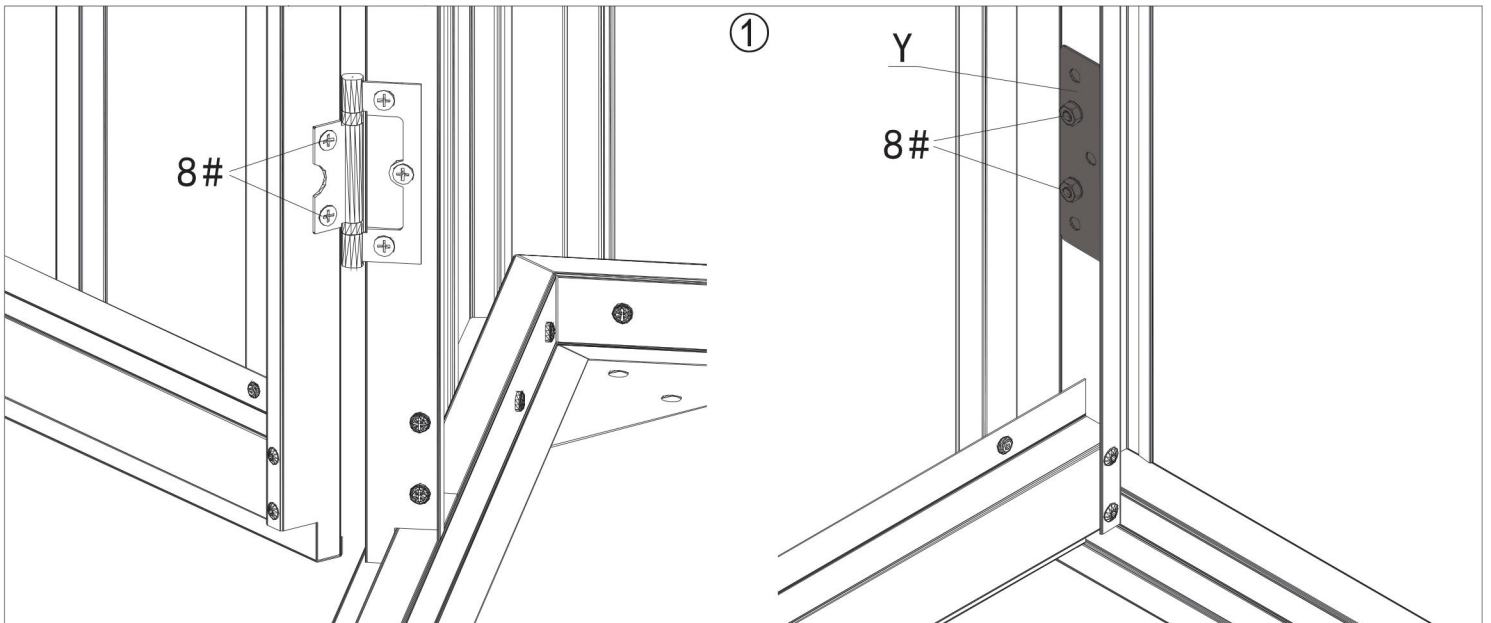
## Install the DOOR

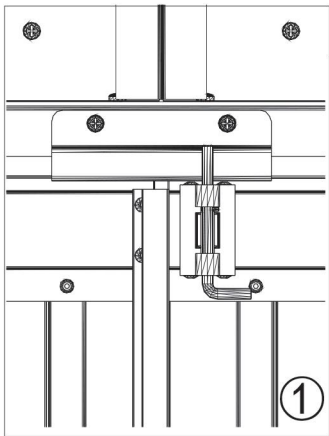
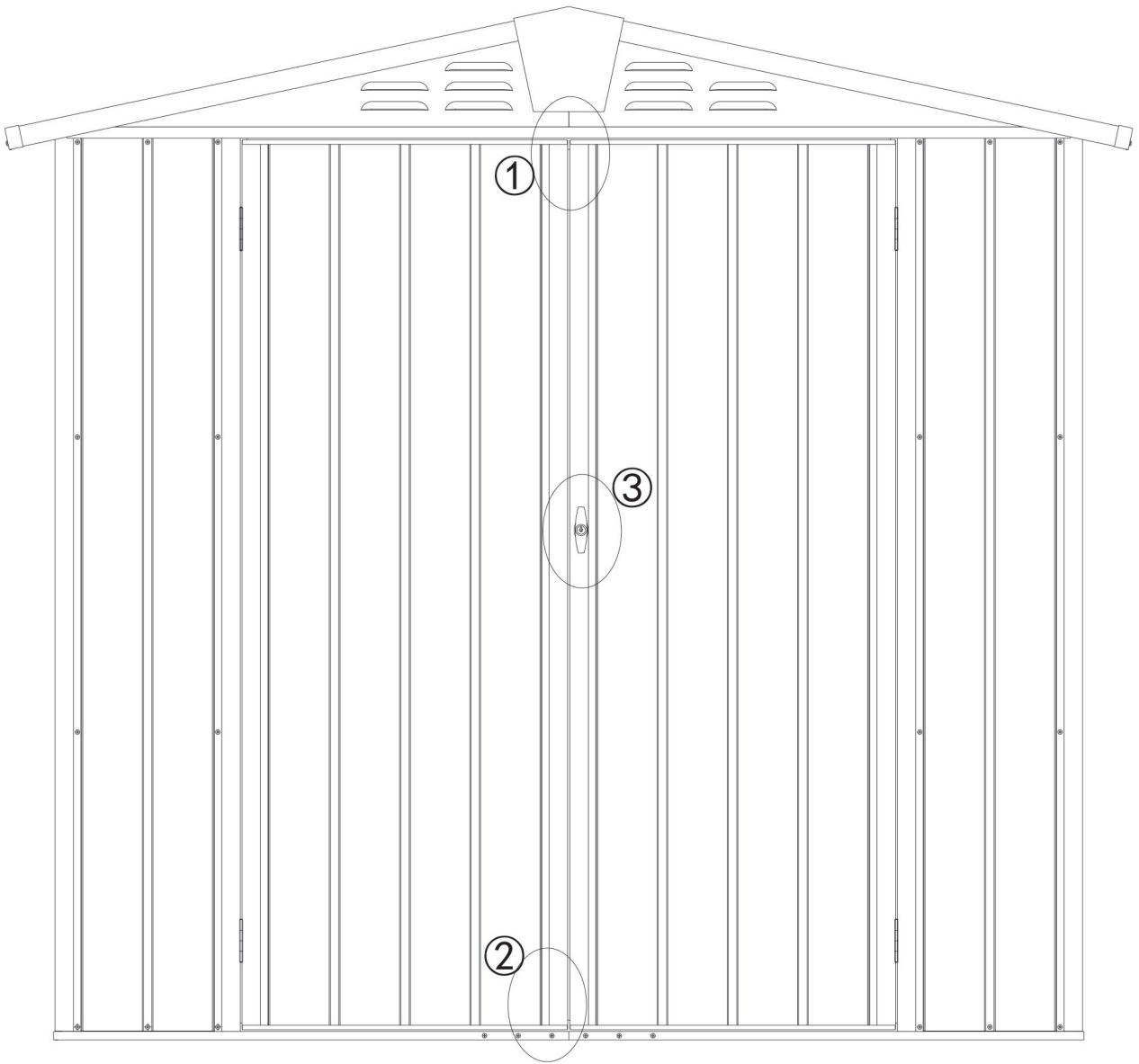


There is a bolt on the left door

There is a handle on the right door

Fix the hinge (part #Y) to the left/right door by screws 8#, gaskets and nuts as shown in ①.

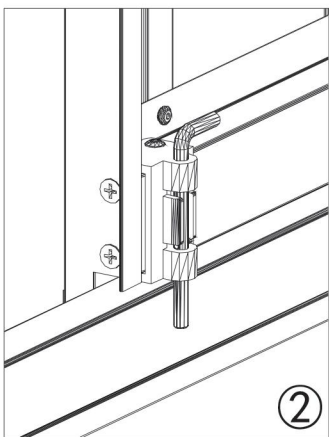




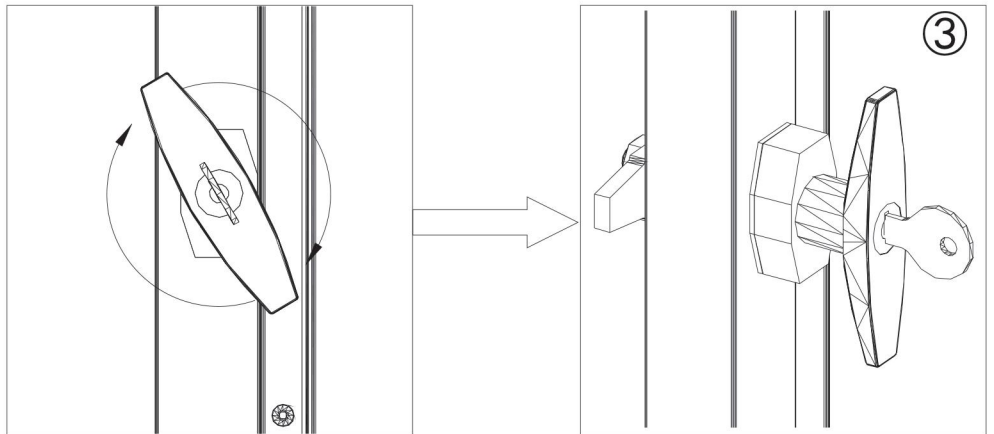
Insert the bolt and lock the door

**Open the door:** insert the key, rotate 180° counterclockwise, and rotate the handle counterclockwise to open the door.

**Lock the door:** close the door, insert the key, rotate the handle clockwise, then rotate the key 180° clockwise and pull the key out.



Insert the bolt and lock the door





RESORT COMFORT IN YOUR  
OWN BACKYARD

## Thanks for your purchase.

At domi outdoor living, we believe in our products.

That's why we provide a 12-month warranty and

friendly, easy-to-reach after-sales service. So if you

have any questions about our product and assembly-

, please feel free to contact us. We will be here for you.

**Support:**  

email: [domiservice01@outlook.com](mailto:domiservice01@outlook.com)

Please tell us your order ID when contact.

Attach photos of damaged part for instant reply.