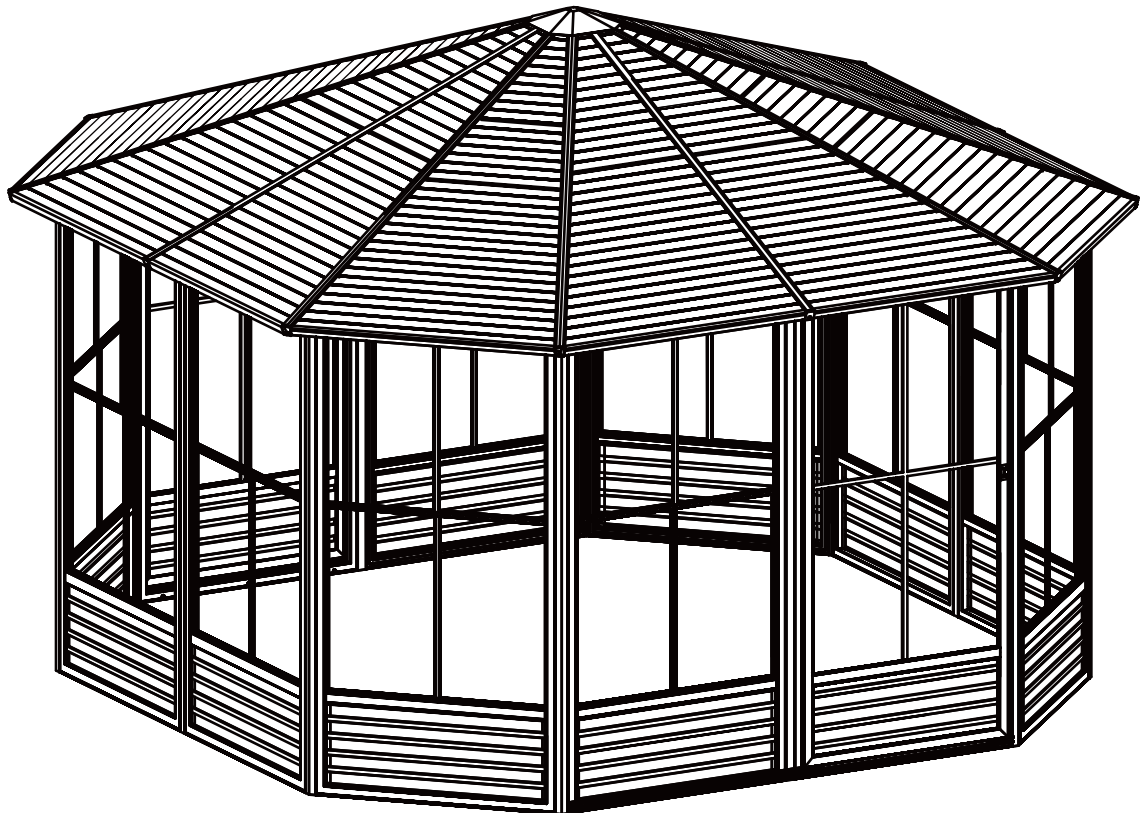




# 13'x13' Sunroom

## ASSEMBLY MANUAL



MODEL#: LGMF1404

Missing part? Damaged? Contact us via email at  
[service@domioutdoorliving.com](mailto:service@domioutdoorliving.com)

[www.domioutdoorliving.com](http://www.domioutdoorliving.com)

© Copyright 2022-2024 Domi Outdoor Living LLC. All Rights Reserved.

**PLANNING INSTALLATION**

Make sure that all the parts are in the boxes before starting the assembly.

Follow all assembly instructions to assure proper construction.

You must schedule enough time to complete the assembly. You cannot leave the unit unattended if it is not fully assembled, even if it is already anchored to the ground.

In order to avoid damage to the shelter and its components, place all parts on a soft surface and use appropriate tools.

During assembly, do not use the structure as a support. Use a stepladder.

Keep this User Guide and Parts List for future reference.

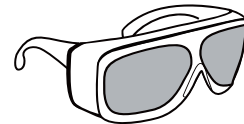
**TOOLS REQUIRED ( Not included in box )**



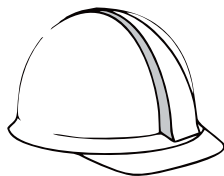
**LEVEL**



**PHILLIPS SCREW DRIVER**



**SAFETY GOGGLES**



**SAFETY HAT**



**GLOVES**



**DRILL**



**STEPLADDER**

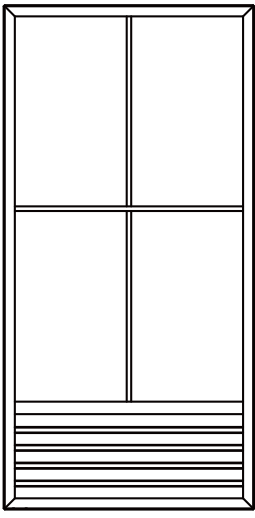
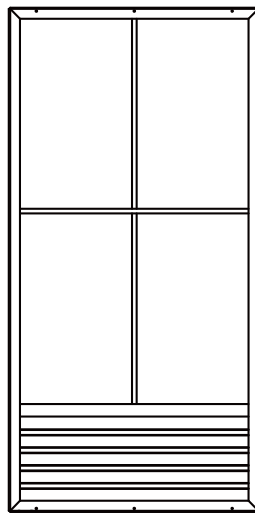
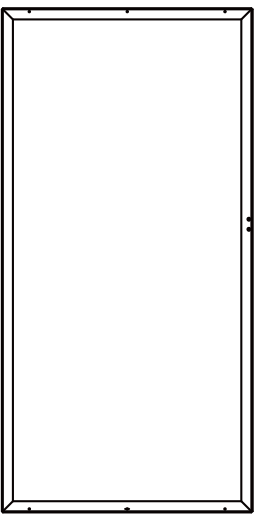
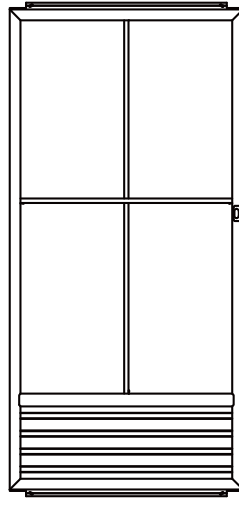
**HARDWARE PACKAGE INCLUDED**

#1		48
Standard Screw (St 3.5 x13)		Qty:
#2		73
Bolt (M6x16)		Qty:
#3		4
Bolt (M5x16)		Qty:



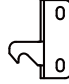

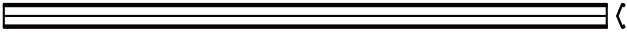


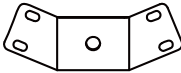




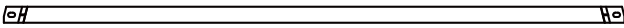
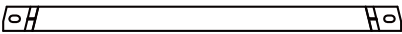
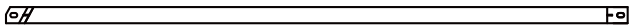
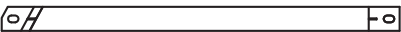
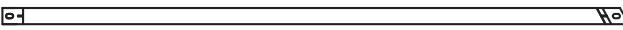

#4		24
Bolt and Cap (M5x48)		Qty:
#5		16
Flathead Screw (M4x16)		Qty:
#6		1
Allen Key		Qty:

***In case of damaged or defective parts or if at any time you require assistance to assemble your solarium contact the customer service team by email at [service@domioutdoorliving.com](mailto:service@domioutdoorliving.com)***

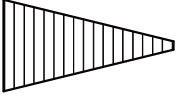
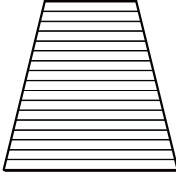
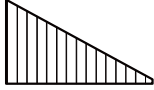
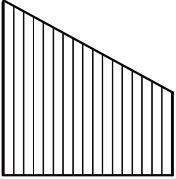
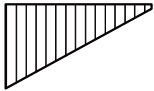
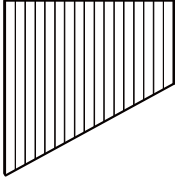







**PARTS LIST**

	<p>8</p>		<p>2</p>
<p>A</p>	<p>Qty:</p>	<p>A1</p>	<p>Qty:</p>
<p>Screen Panel</p>		<p>Screen Panel</p>	
	<p>2</p>		<p>2</p>
<p>B</p>	<p>Qty:</p>	<p>B1</p>	<p>Qty:</p>
<p>Frame</p>		<p>Sliding Screen Door</p>	

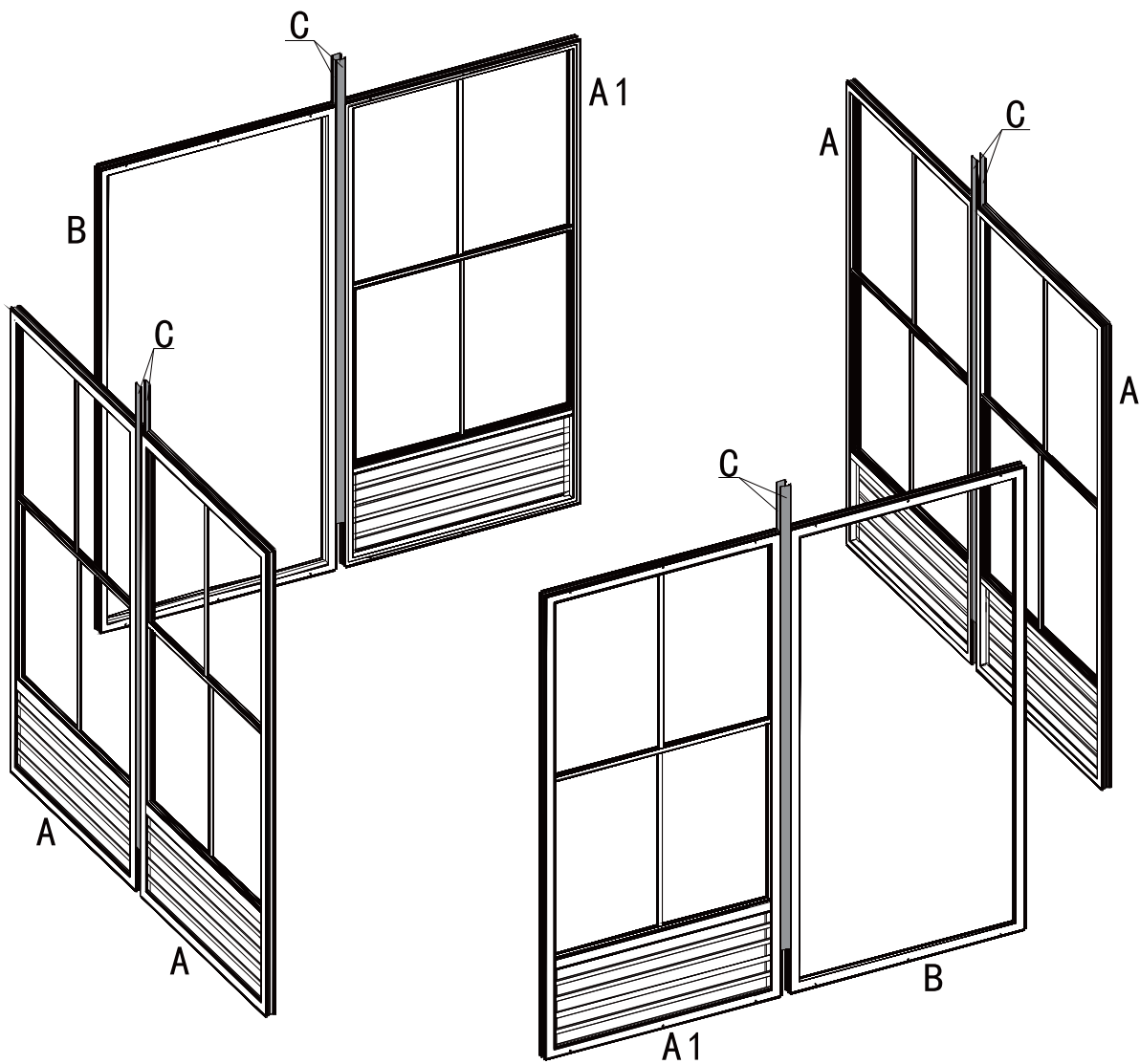
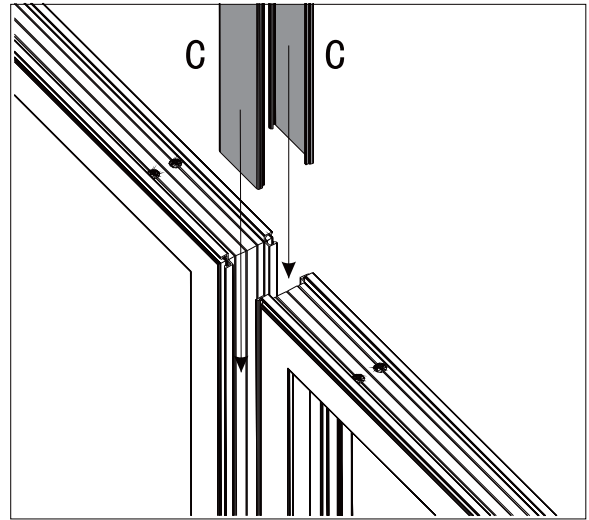
**PARTS LIST**

B2		4			
Door Track		Qty:			
B3		8	B4		2
Door Stopper		Qty:	Door Lock		Qty:
C		8			
Panel Connector		Qty:			
D		8			
Panel Connector		Qty:			
D1		8			
Panel Connector		Qty:			
E		8			
Roof Bar		Qty:			
E1		8			
Roof Bar Angle		Qty:			
F		4			
Roof Bar		Qty:			
F1		4			
Roof Bar Angle		Qty:			
G		1			
Inside Roof Connector		Qty:			
H		1			
Outside Roof Connector		Qty:			
J		4			
Support Bar		Qty:			
J1		4			
Support Bar		Qty:			
K		4			
Support Bar		Qty:			
K1		4			
Support Bar		Qty:			
L		4			
Support Bar		Qty:			
L1		4			
Support Bar		Qty:			

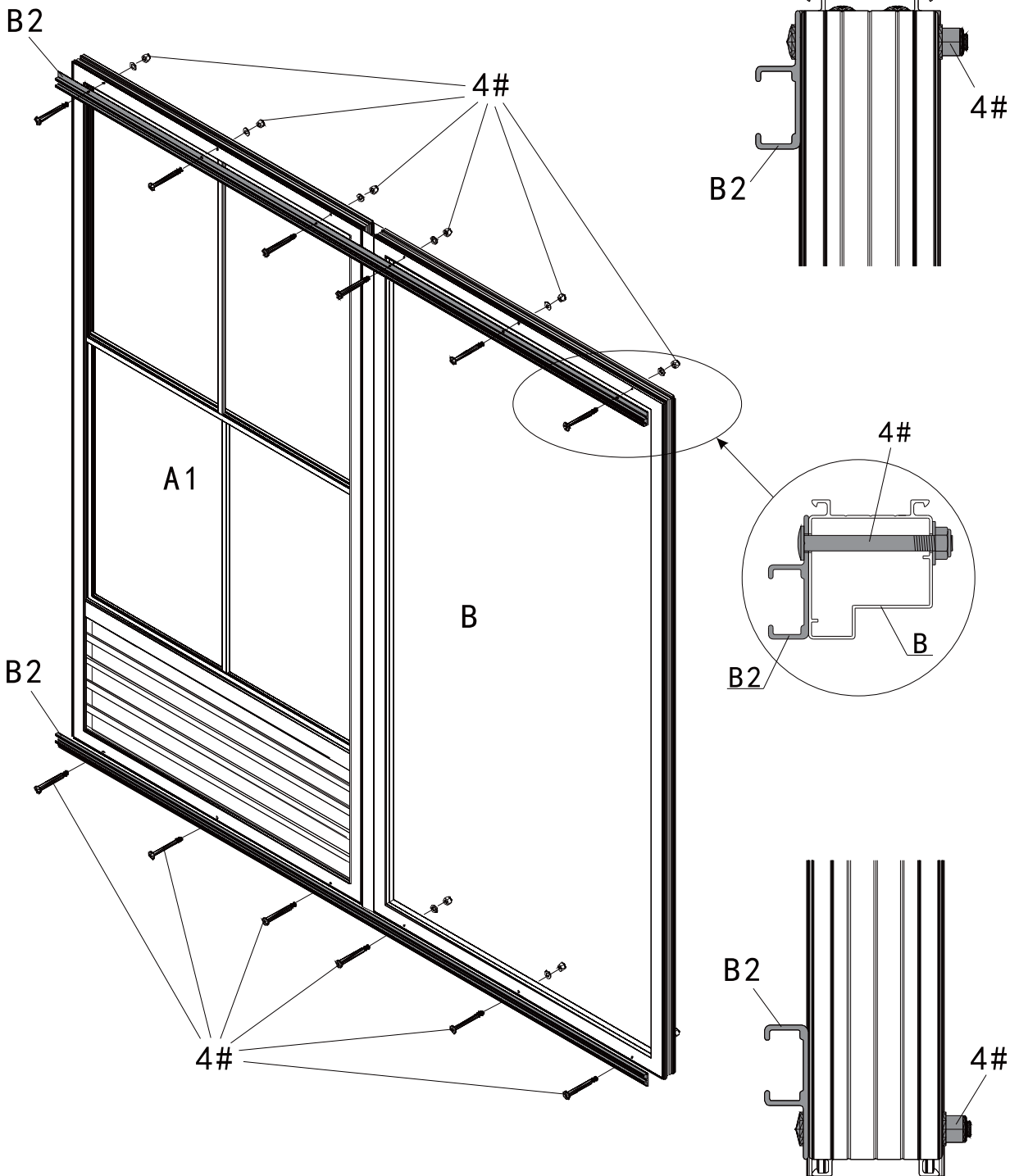
**PARTS LIST**

					
M	4	M1	4	N	4
Roof Panel	Qty:	Roof Panel	Qty:	Roof Panel	Qty:
					
N1	4	Na	4	N1a	4
Roof Panel	Qty:	Roof Panel	Qty:	Roof Panel	Qty:
O					4
Finishing End Bar					Qty:
O1					4
Finishing End Bar					Qty:
P					4
Gap Cover					Qty:
P1					4
Gap Cover					Qty:
Q					4
Finishing End Plate					Qty:
R					8
Finishing End Plate					Qty:
S					24
Roof Panel Plug					Qty:

STEP 1



STEP 2

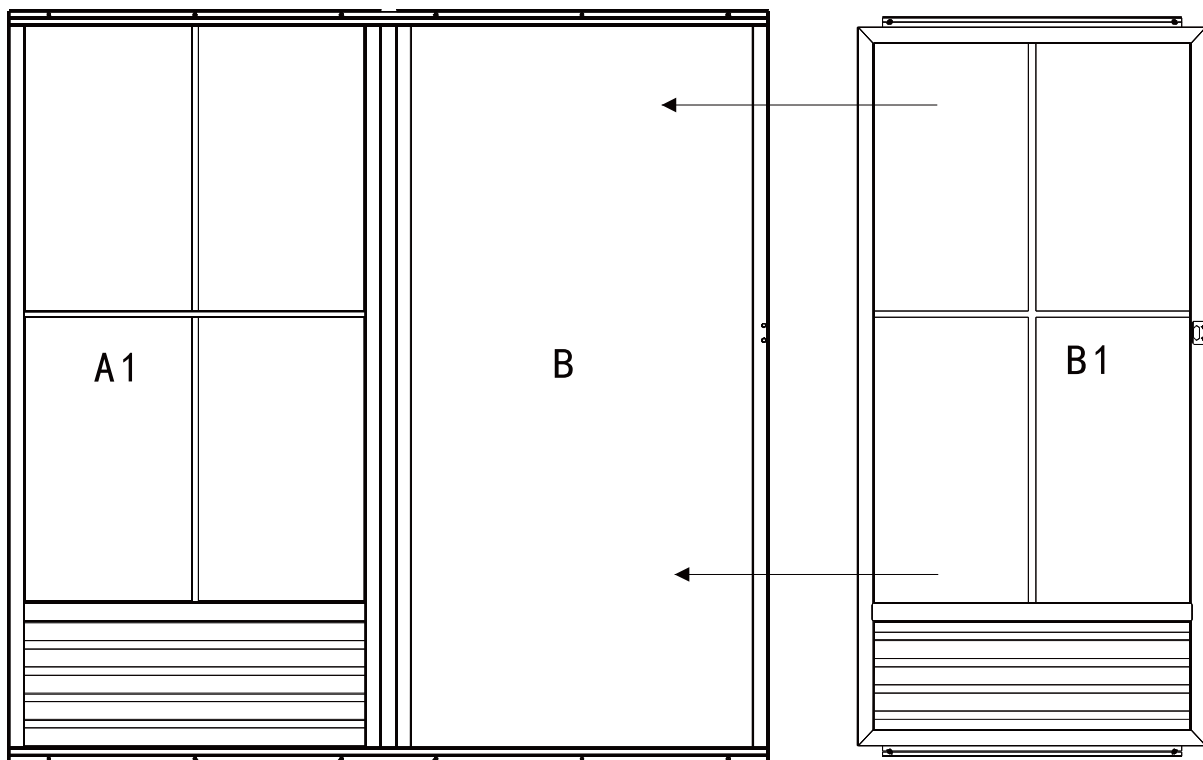
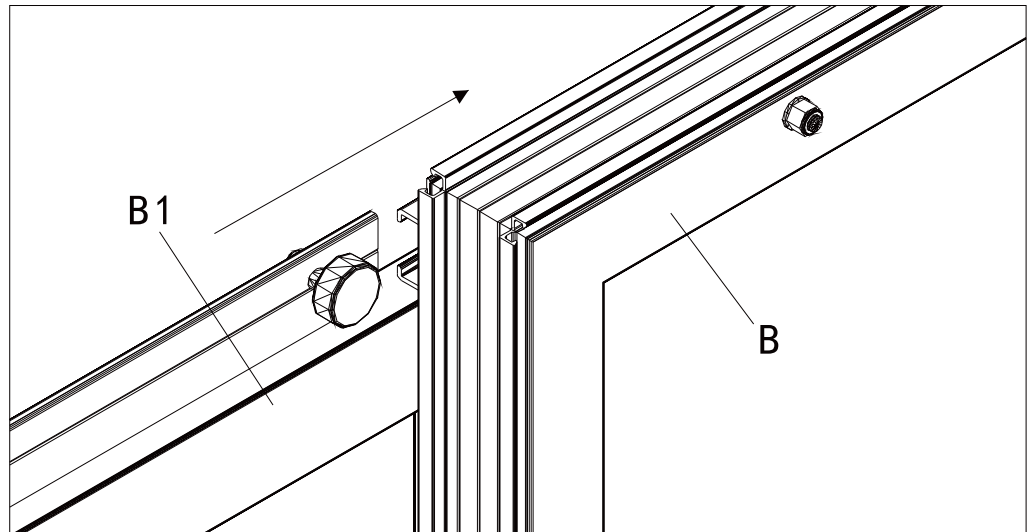


X2

## Assembly

### STEP 3

Insert the pulley on the Sliding Screen Door # B1 into the door track on the Screen Panel #A1 and Frame #B.

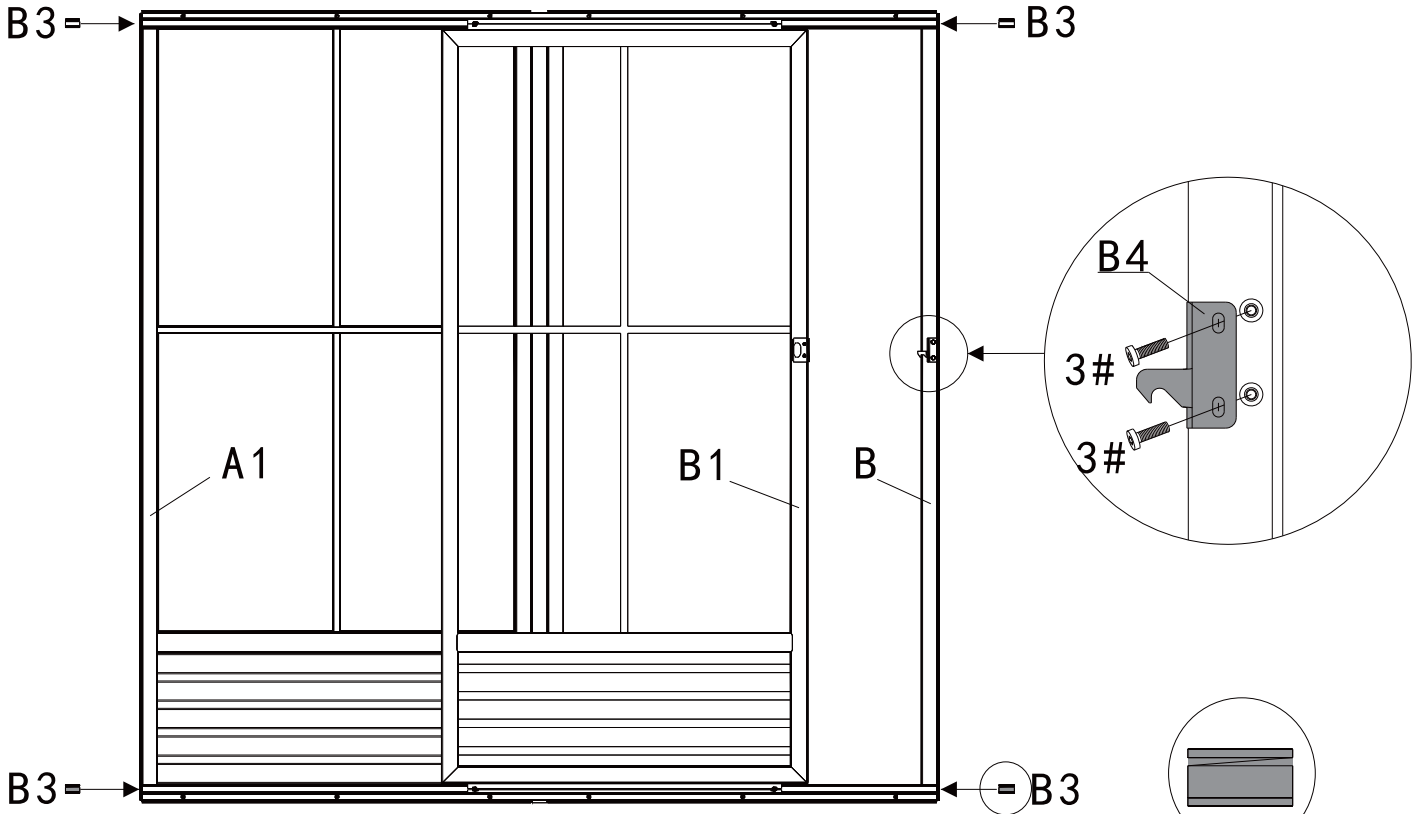


X2

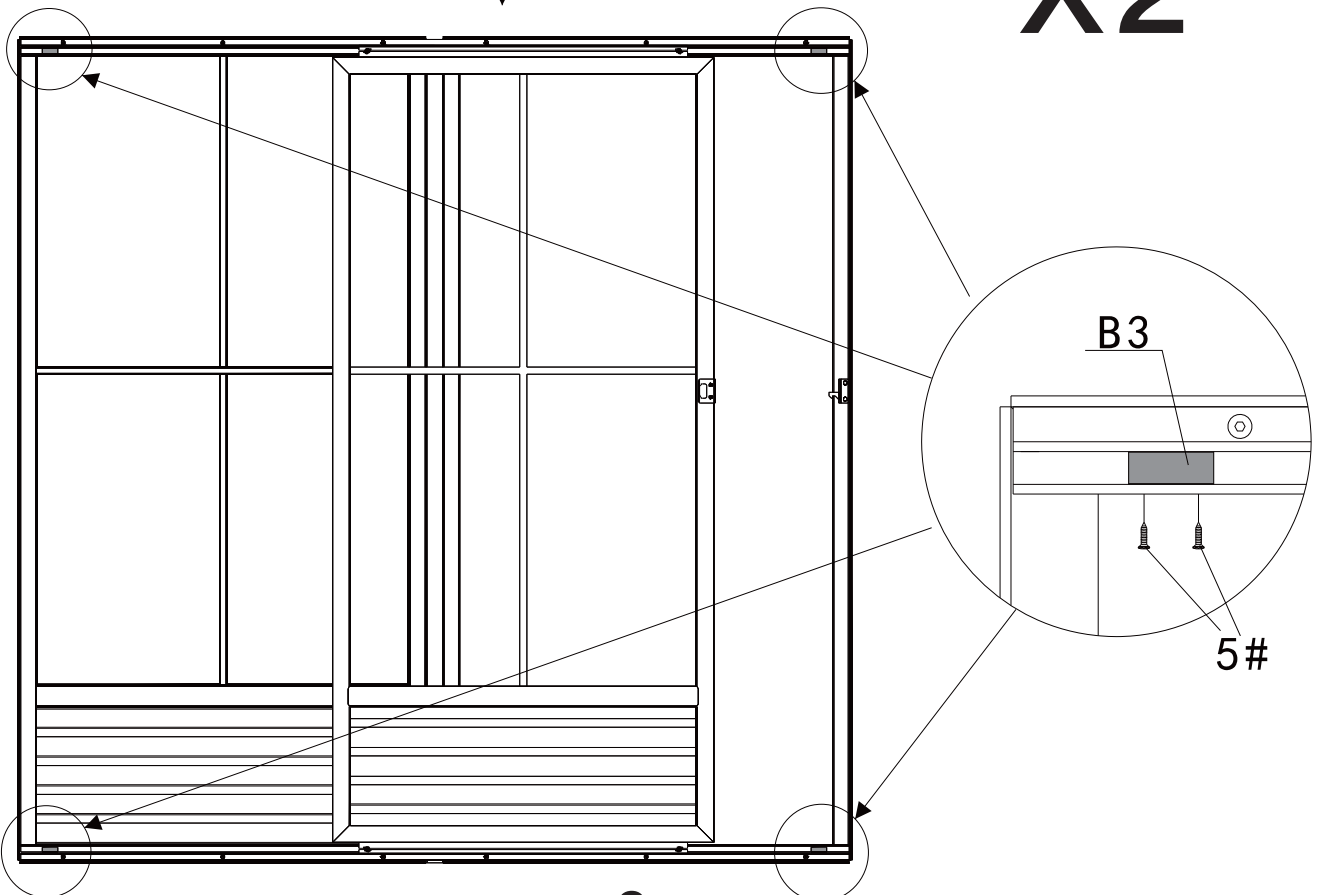


**Assembly**

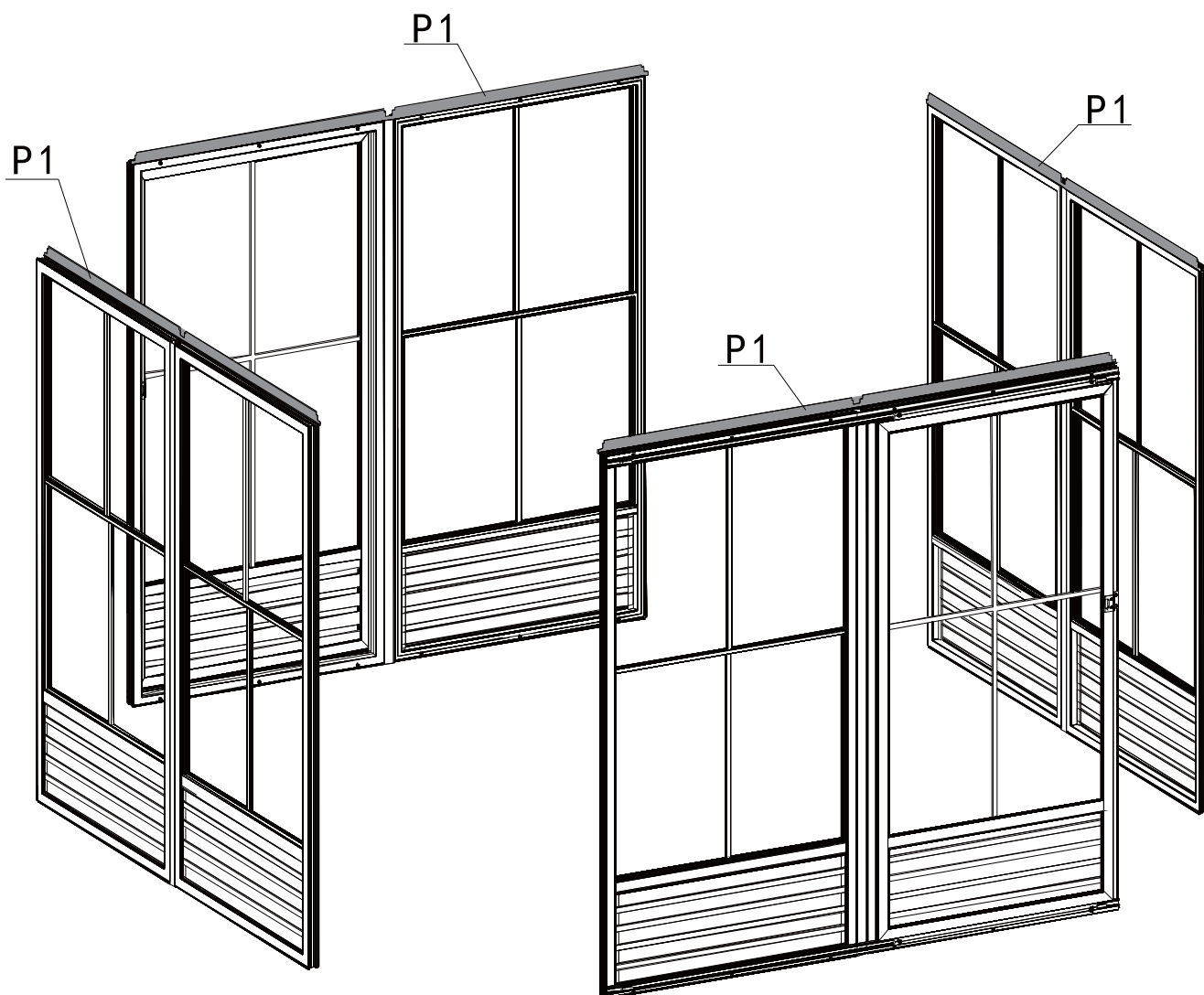
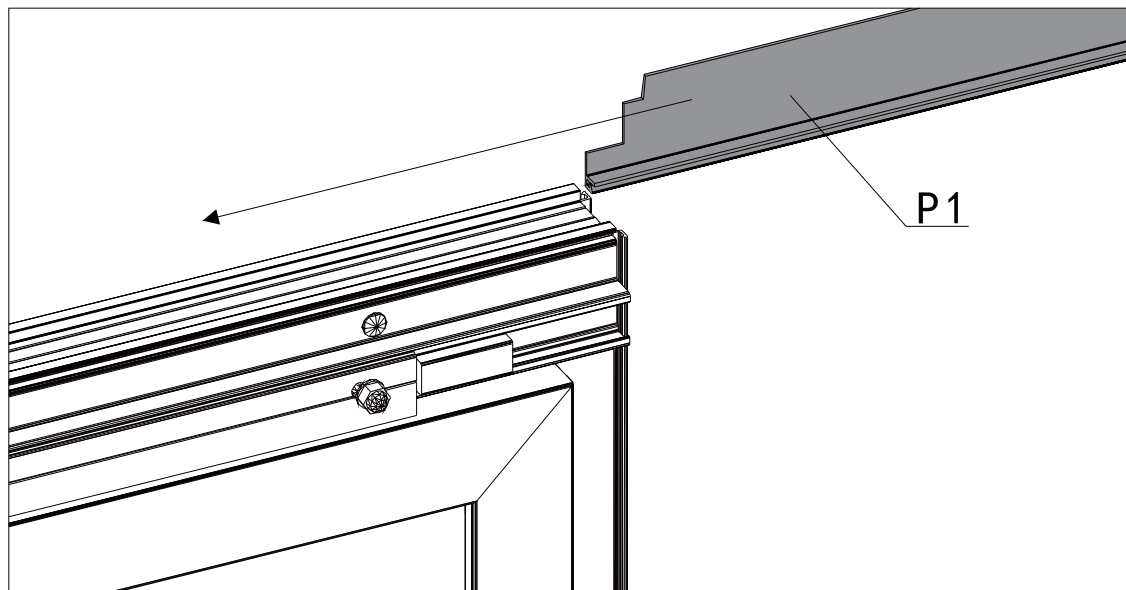
**STEP 4**



**X2**

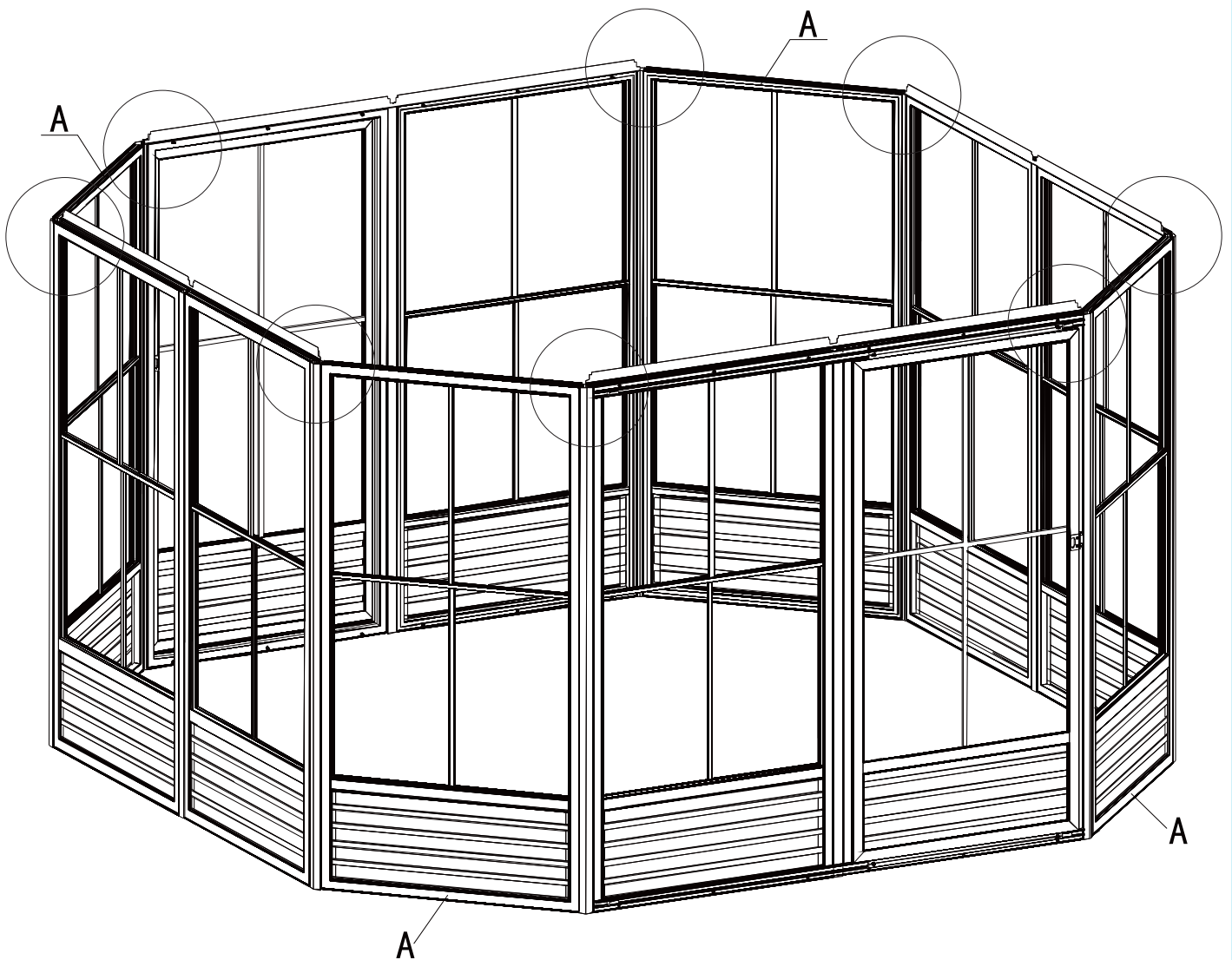
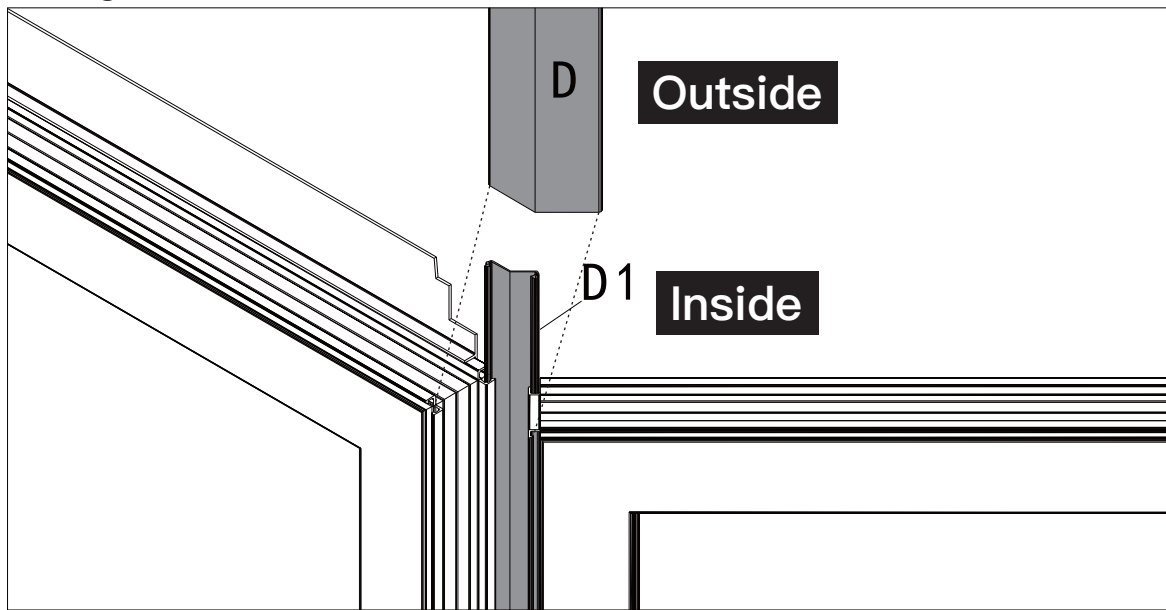


**STEP 5**

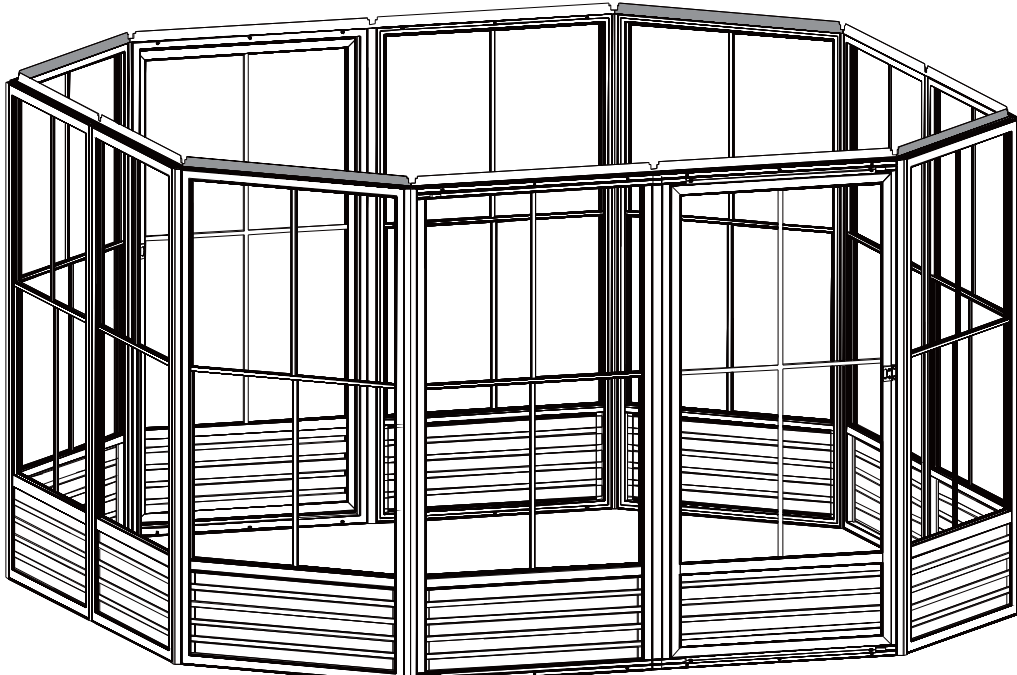
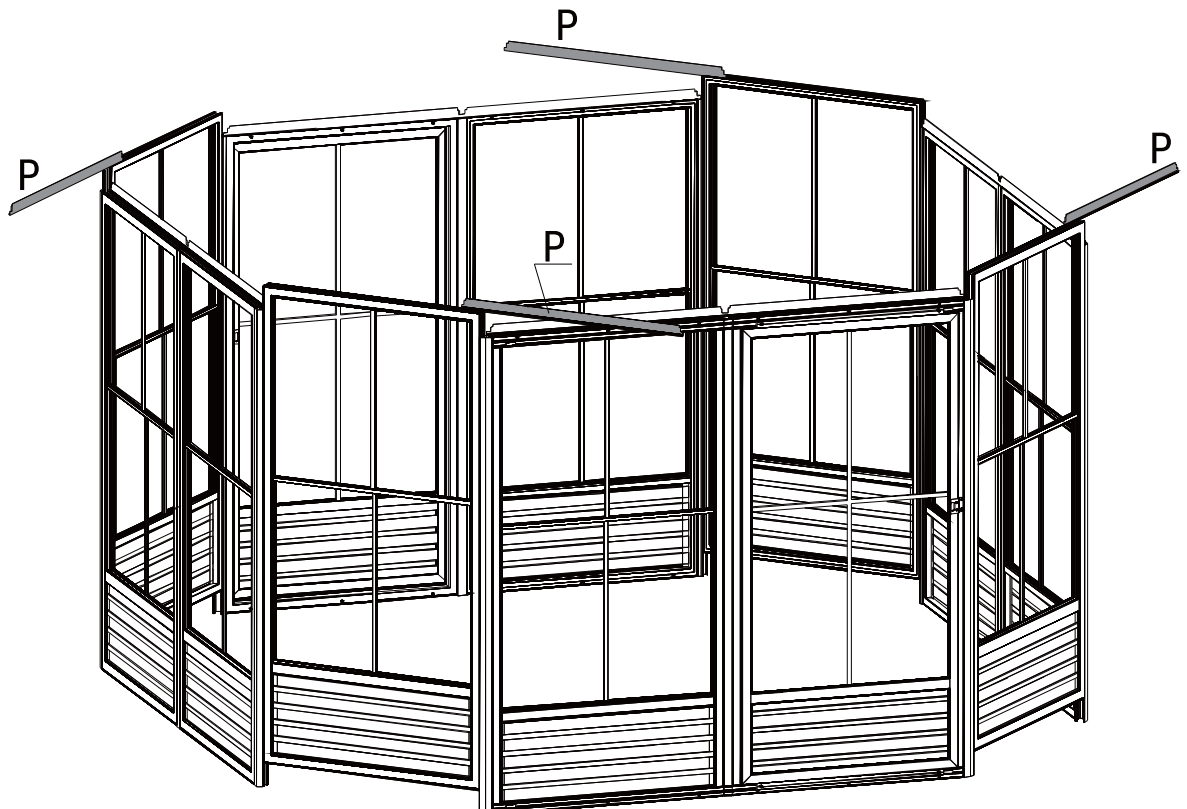
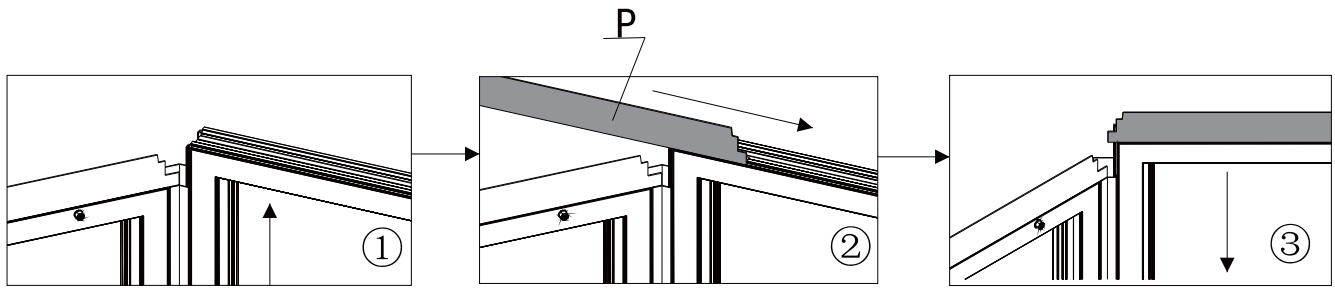


## Assembly

**STEP 6** Insert the Panel Connector #D and #D1 into the screen panel grooves as shown.

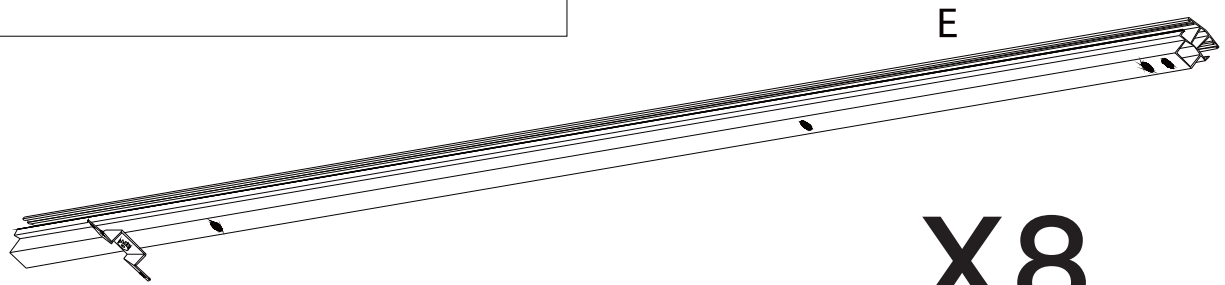
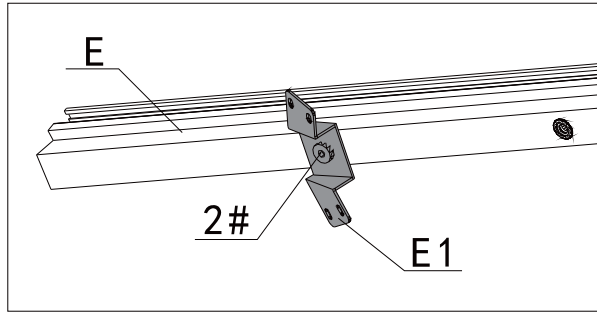


STEP 7

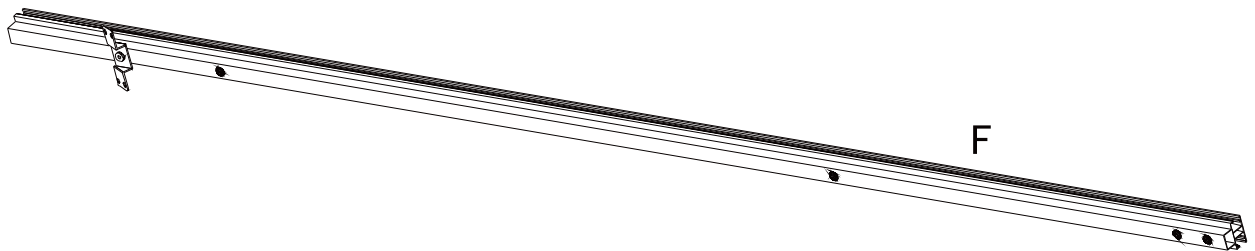
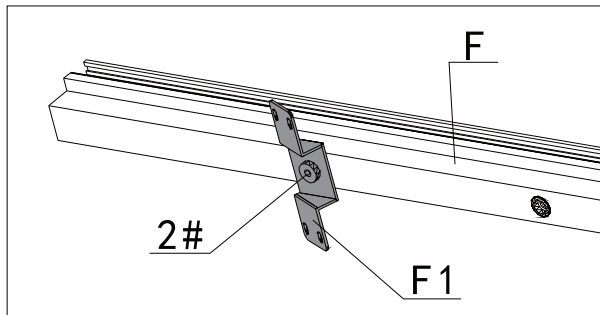


**Assembly**

**STEP 8**

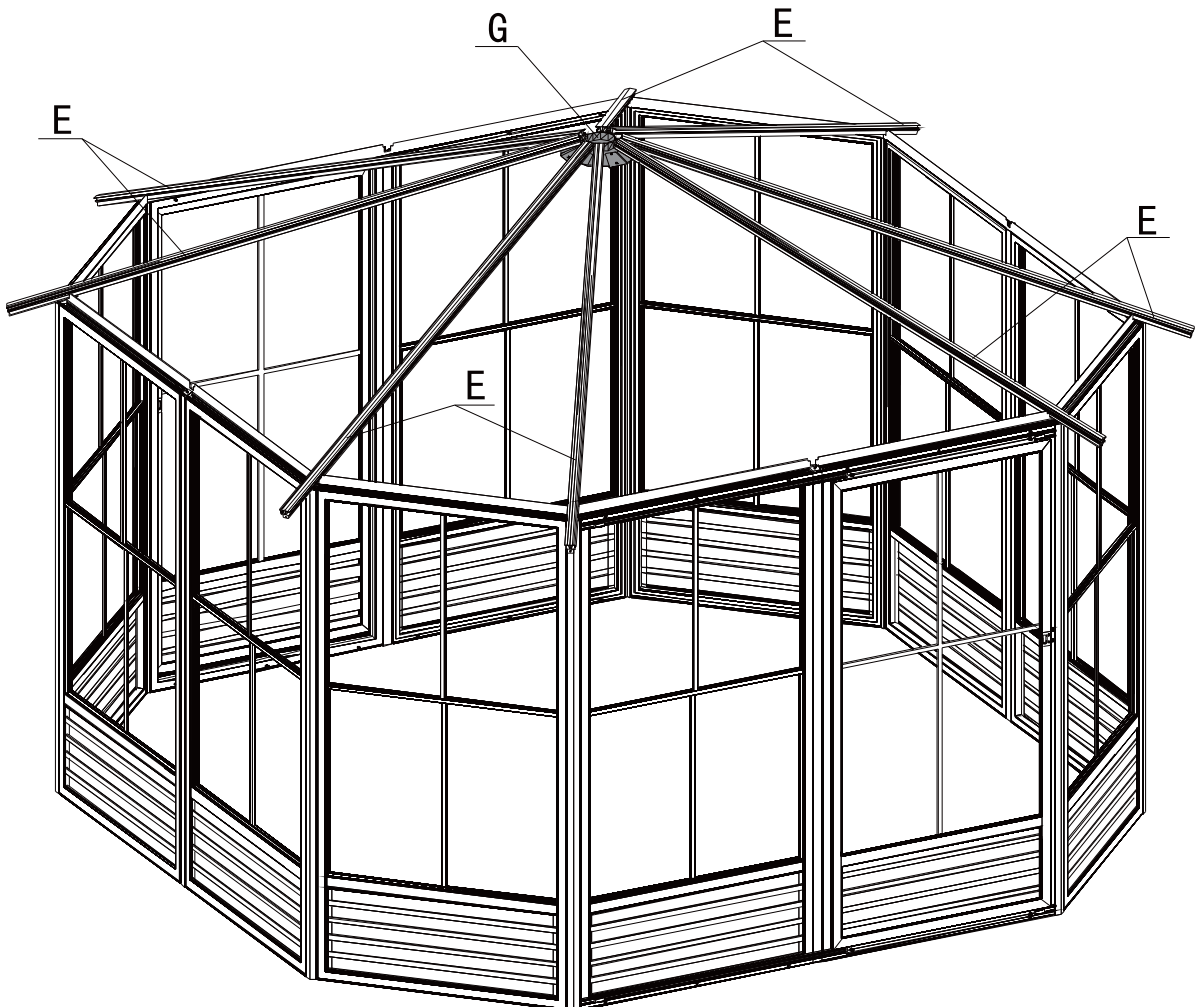
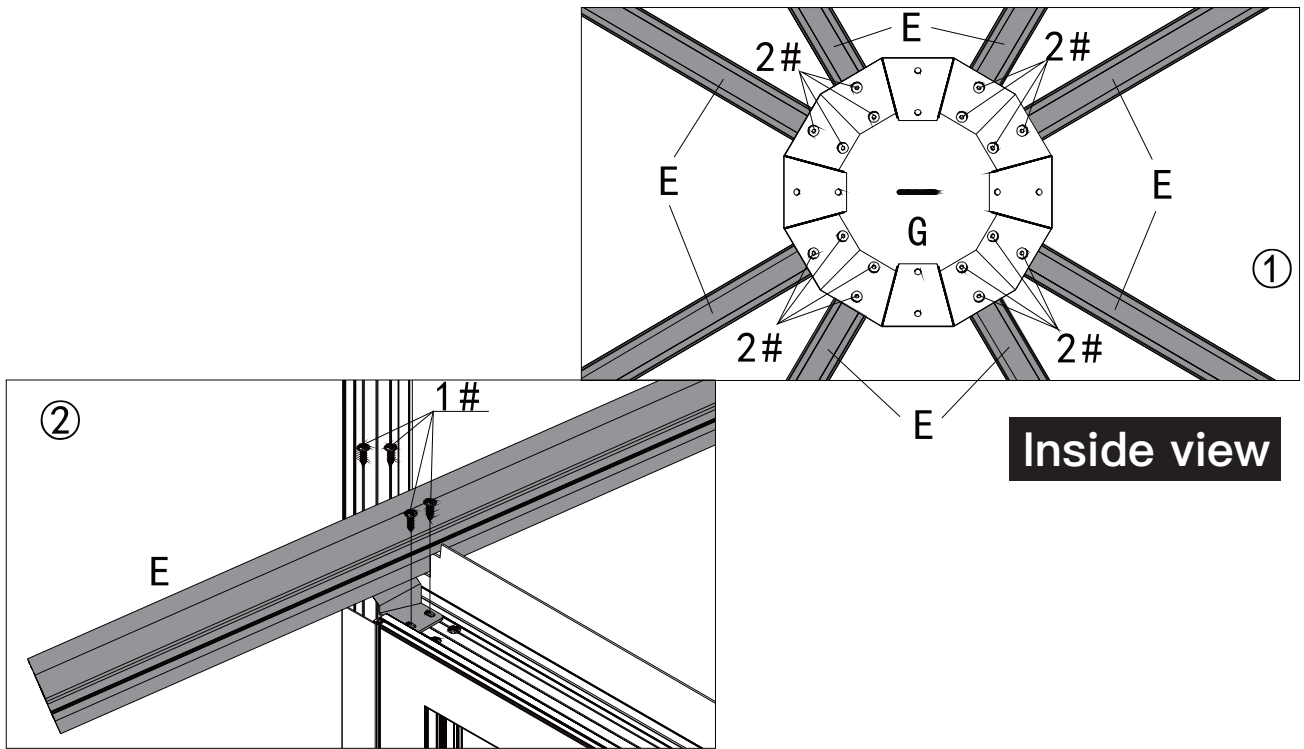


**X8**

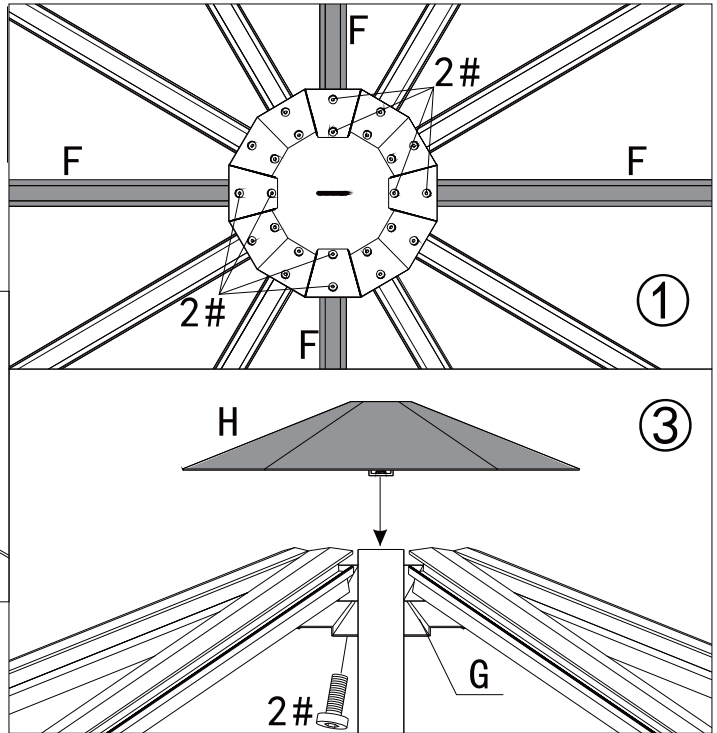
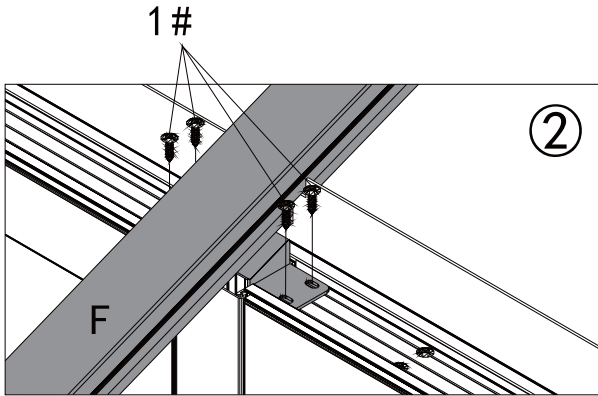


**X4**

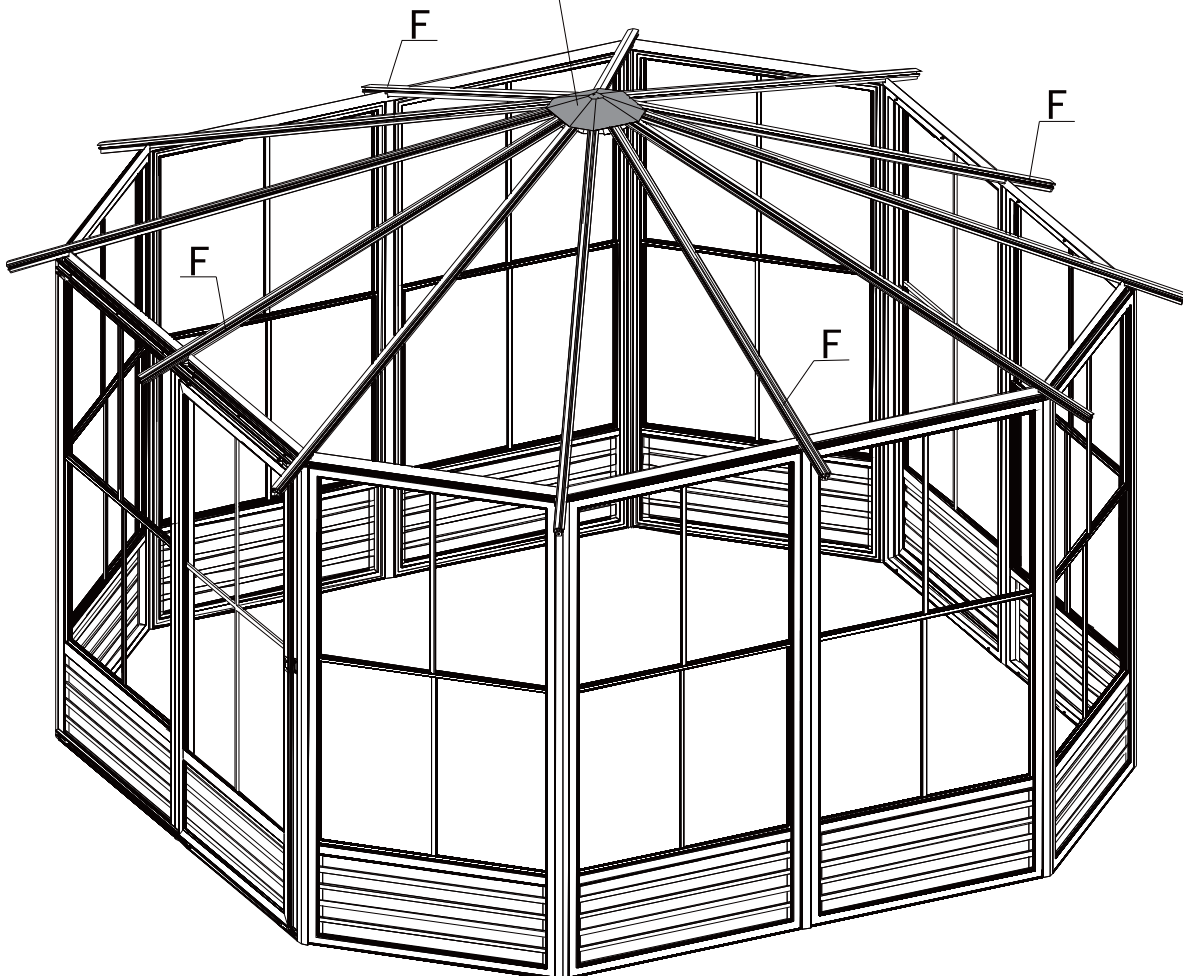
STEP 9



STEP 10

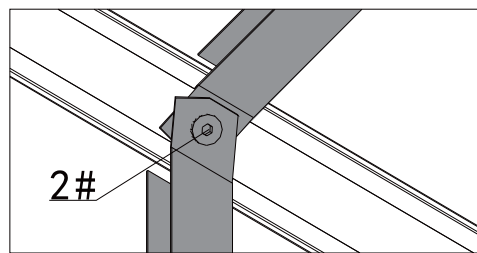
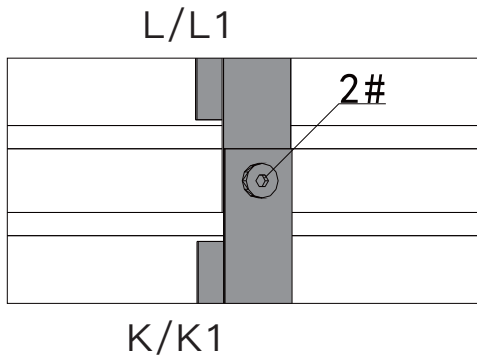


Use Bolt #2 to install Outside Roof Connector #H (from bottom to top).

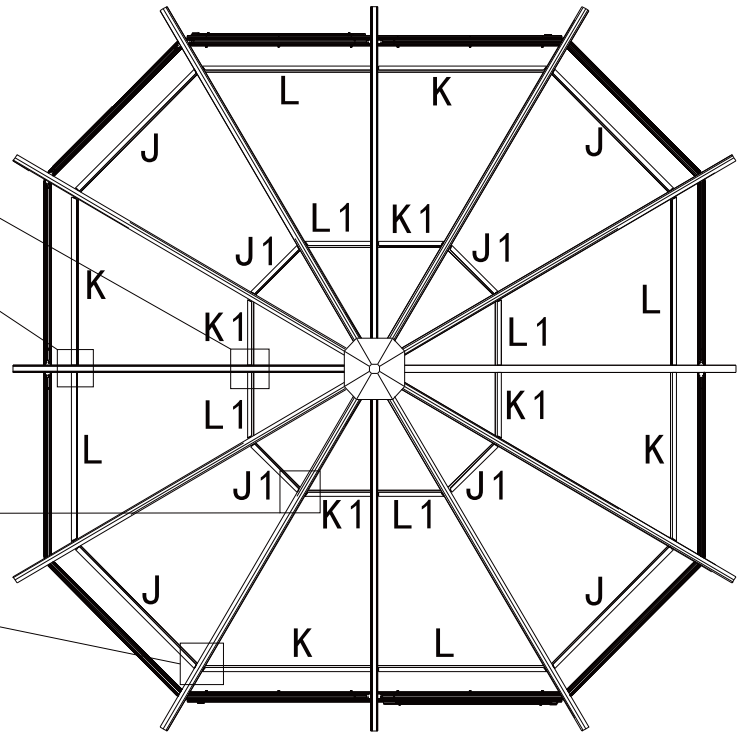




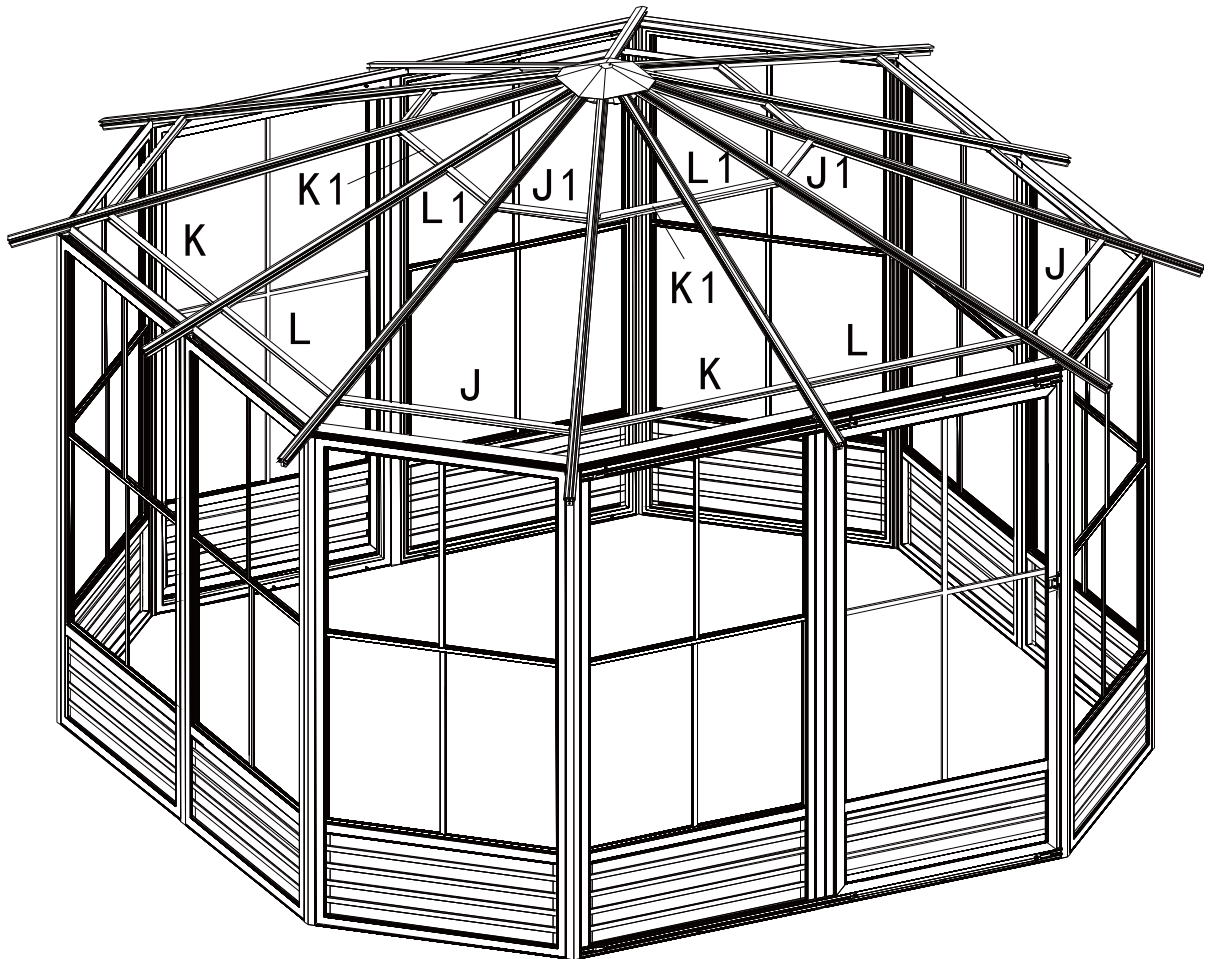
STEP 11



Inside view



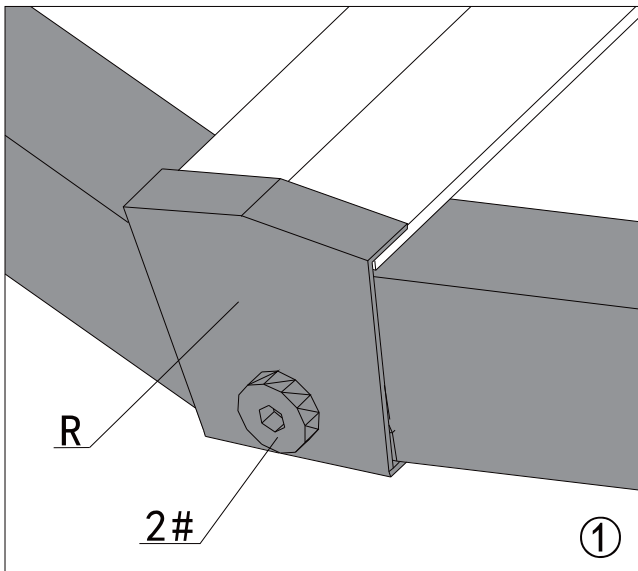
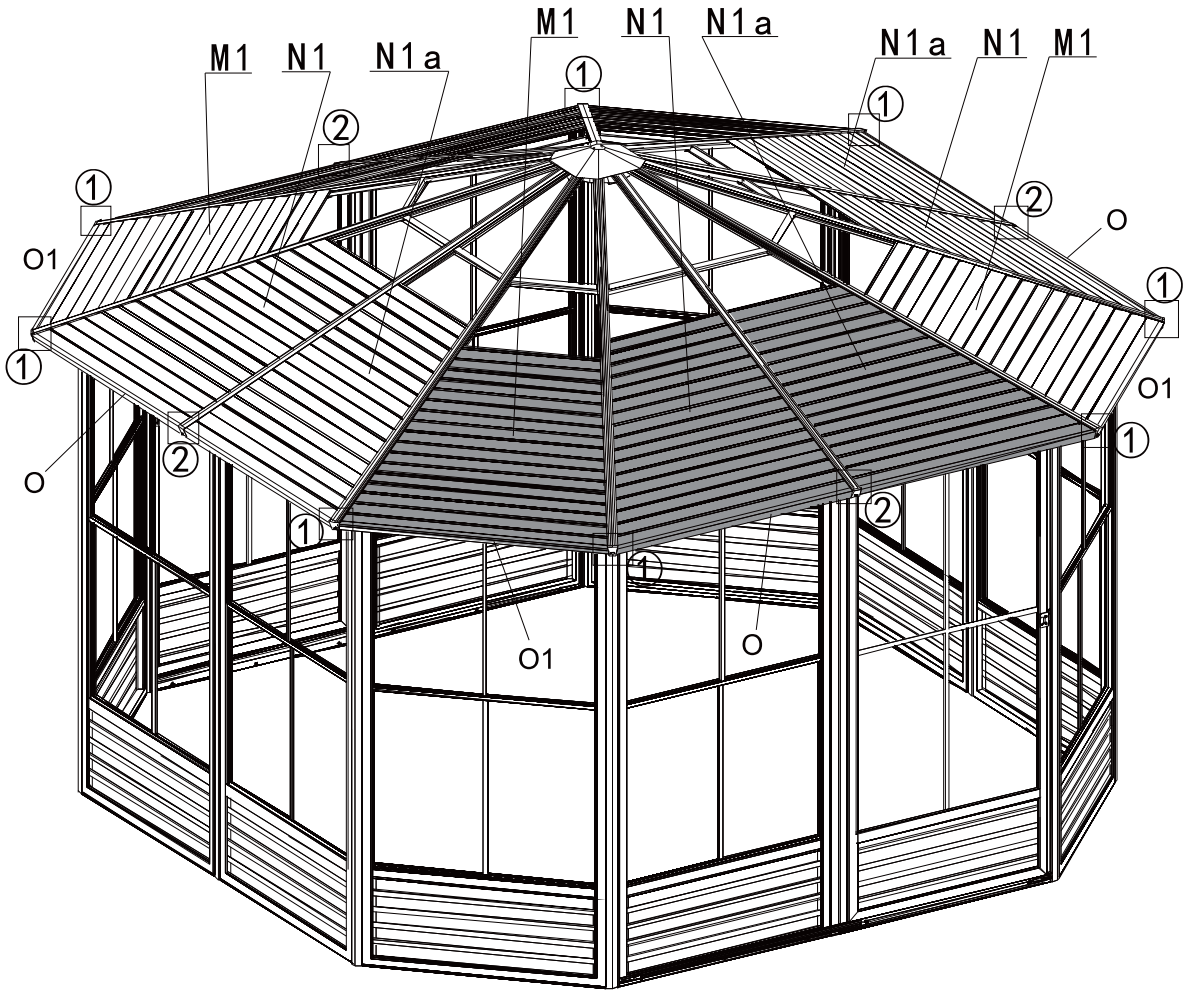
Outside view



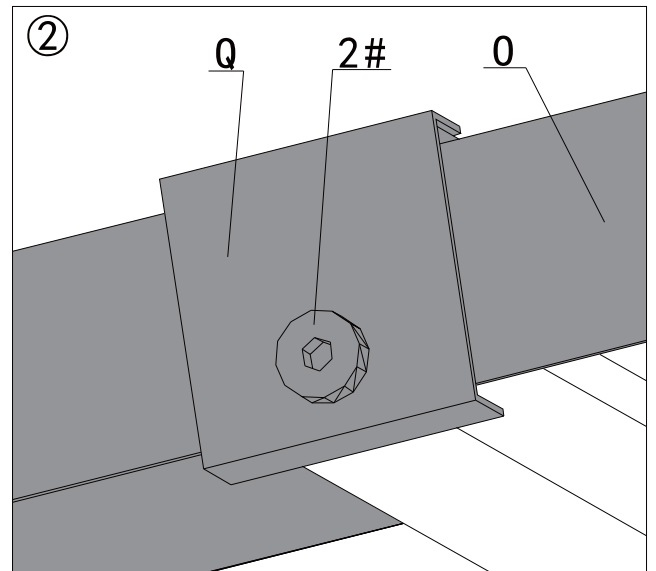


**STEP 12**

Insert the roof panel as shown:



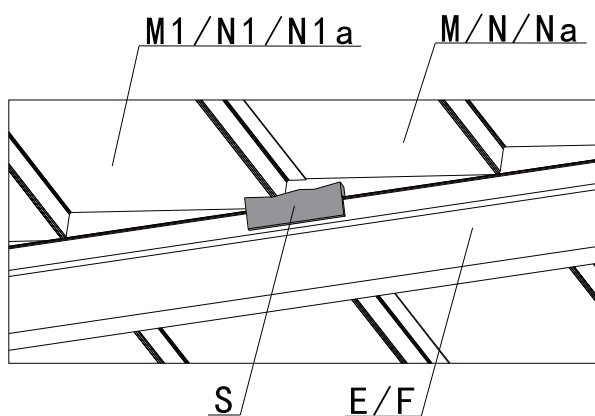
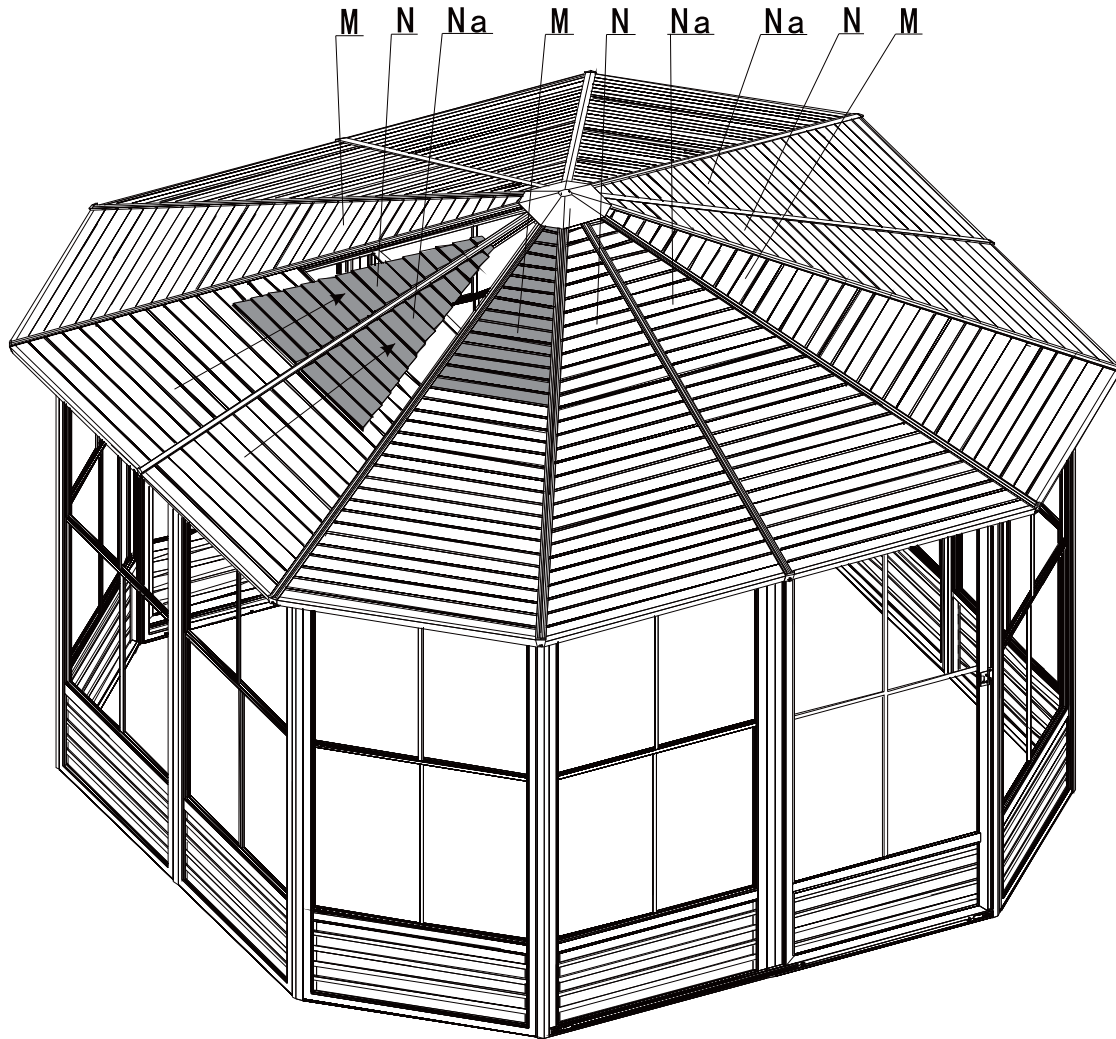
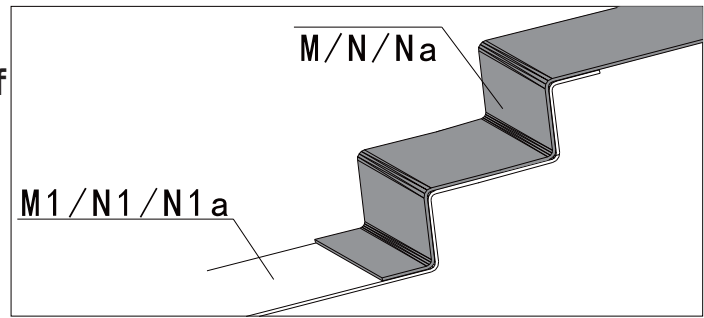
Use Bolt #2 & Part #R to connect Part #O with Part #O1 to roof bar.



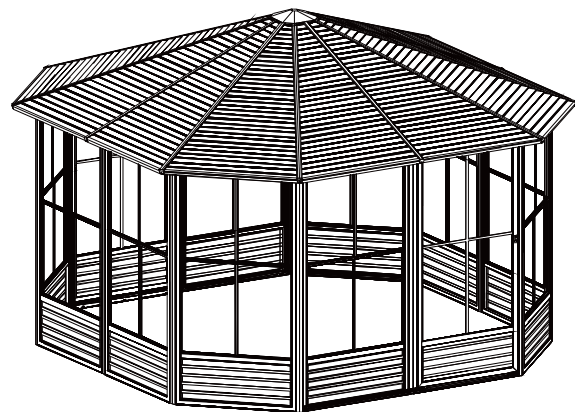
Use Bolt #2 & Part #Q to connect Part #O to roof bar.

**STEP 13**

**ATTENTION:** The smaller roof panel need to cover the bigger one.



**Inside view**



**⚠ IMPORTANT:** The unit must be anchored to either wood, stone tiles or concrete using appropriate screws for that flooring. Failure to do so may nullify the Warranty.



## Thanks for your purchase.

At domi outdoor living, we believe in our products.

That's why we provide a 12-month warranty and

friendly, easy-to-reach after-sales service. So if you

have any questions about our product and assembly-

,please feel free to contact us. We will be here for you.

**Support:**  

**After-sales contact email:**

[service@domioutdoorliving.com](mailto:service@domioutdoorliving.com)

**Business cooperation contact email:**

[marketing@domioutdoorliving.com](mailto:marketing@domioutdoorliving.com)

Please tell us your order ID when contact.

Attach photos of damaged part for instant reply.