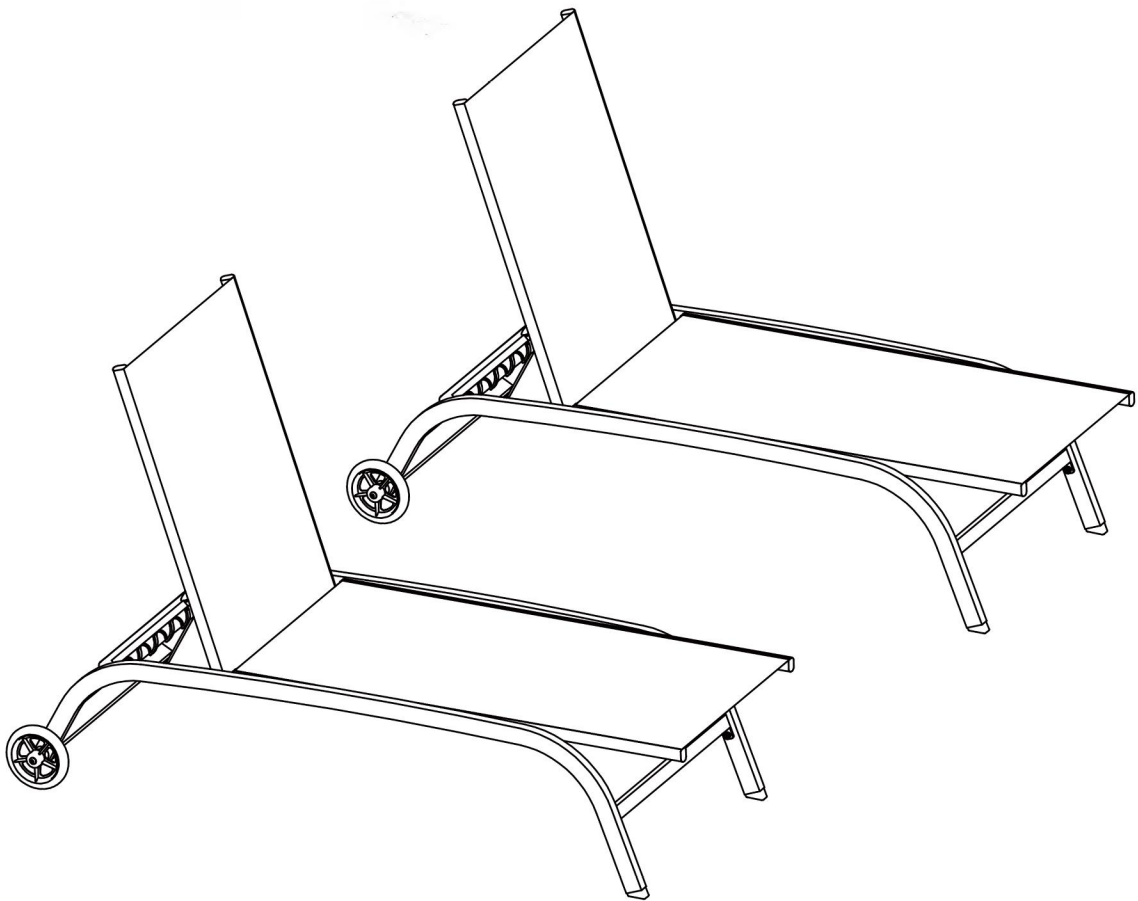






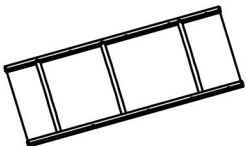
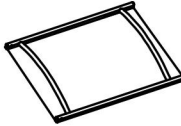

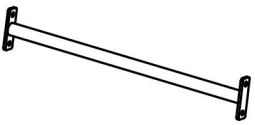
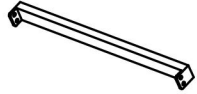










PATIO CHAISE LOUNGE  
CHAIRS SET OF 2  
**ASSEMBLY MANUAL**



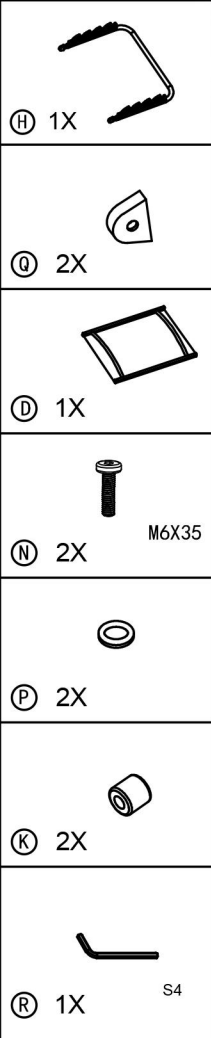
MODEL#: LLFT0588

Missing part? Damaged? Contact us via email at

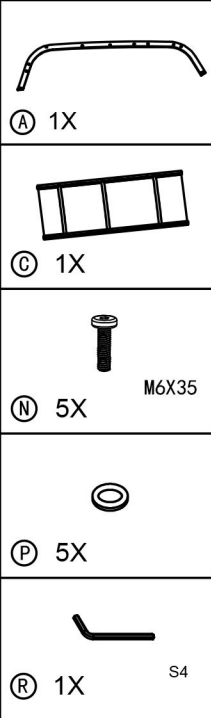
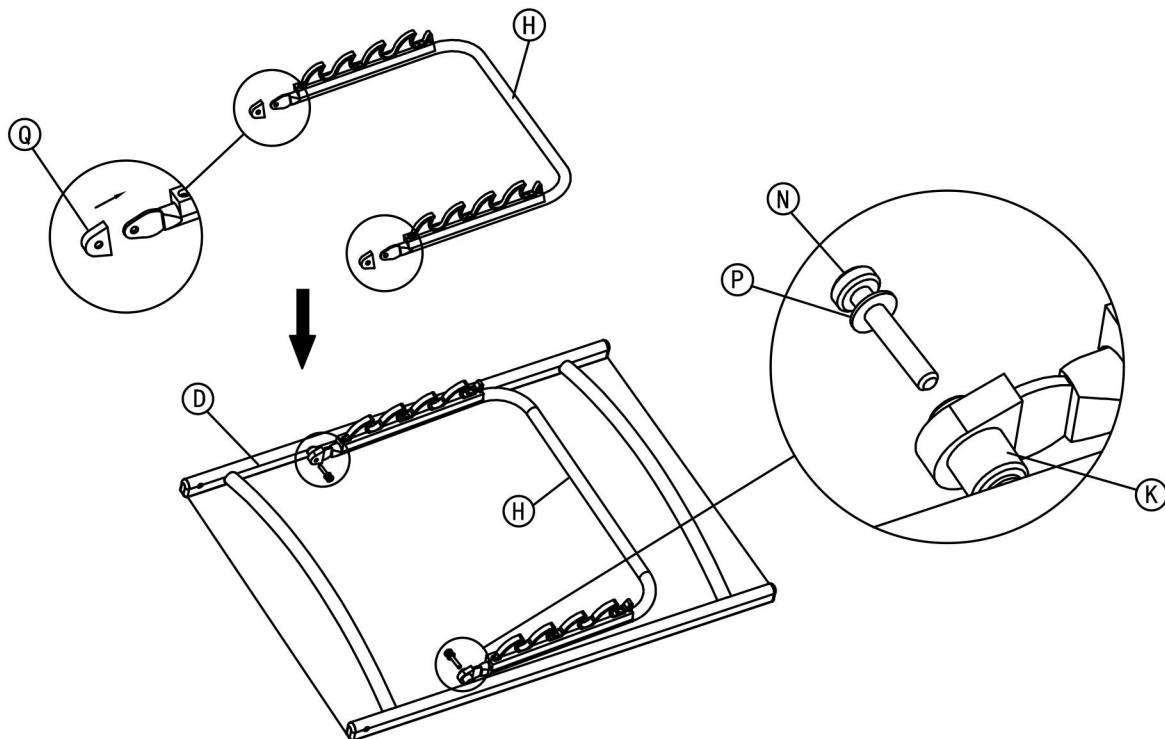
[service@domioutdoorliving.com](mailto:service@domioutdoorliving.com)

 <p>Ⓐ 2X</p>	 <p>Ⓑ 2X</p>	 <p>Ⓒ 2X</p>
 <p>Ⓓ 2X</p>	 <p>Ⓔ 2X</p>	 <p>Ⓕ 2X</p>
 <p>Ⓖ 2X</p>	 <p>Ⓖ 2X</p>	 <p>Ⓙ 4X</p>
 <p>Ⓚ 4X</p>	 <p>Ⓛ 4X M8X70</p>	 <p>Ⓜ 24X M6X18</p>
 <p>Ⓝ 24X M6X35</p>	 <p>Ⓟ 48X D6</p>	 <p>Ⓠ 4X</p>
 <p>Ⓡ 2X S4</p>	 <p>Ⓢ 2X S5</p>	

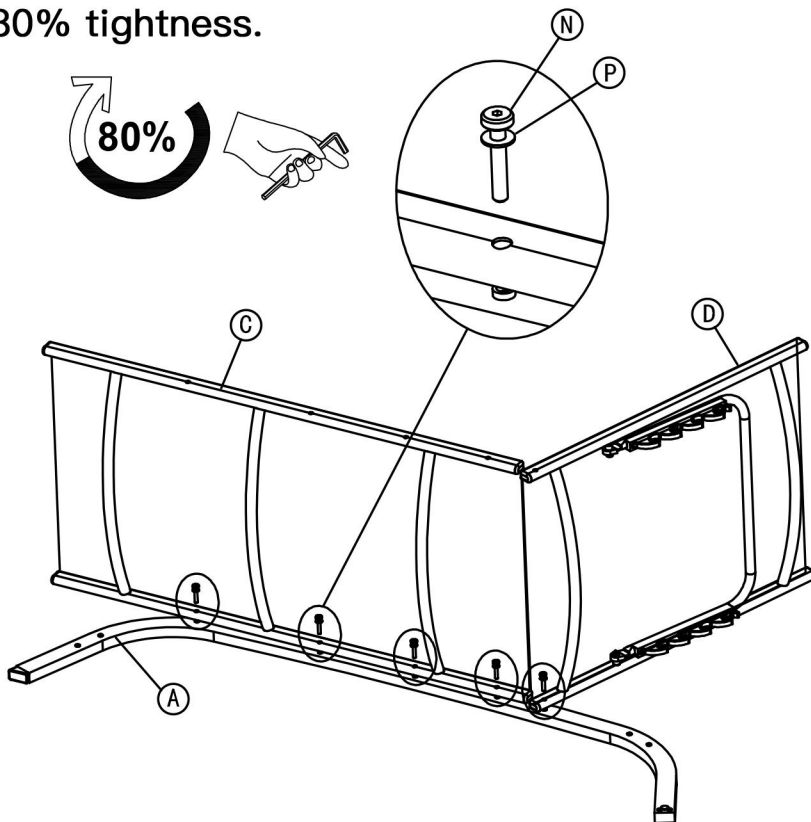
**Friendly Tip:** Please do not completely tighten the screws during assembly. After all the screws are assembled in place, tighten them together. Remember to wear gloves.







Step 1: Install part Q on part H first. Then place part N (bolt M6X35), P(gaskets), K(thick plastic Garskets) as shown in the figure to connect part H and part D.

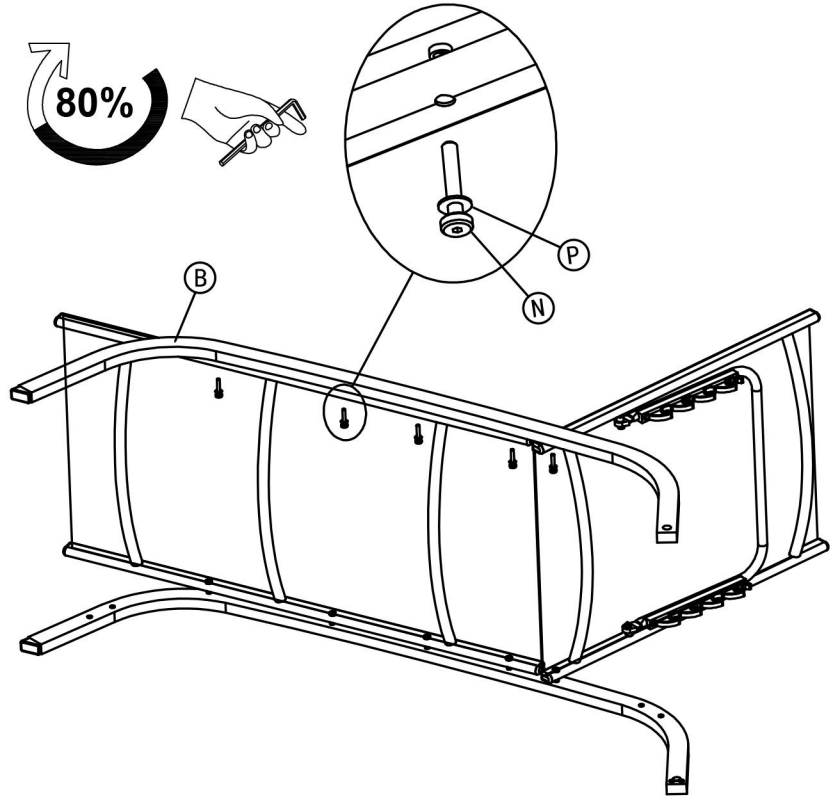



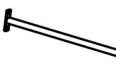




Step 2: Place part N and P in the 5 locations as shown (4 for connecting Part C and A with 1 for connecting Part C with D). Please be careful not to tighten every hole position, only to 80% tightness.



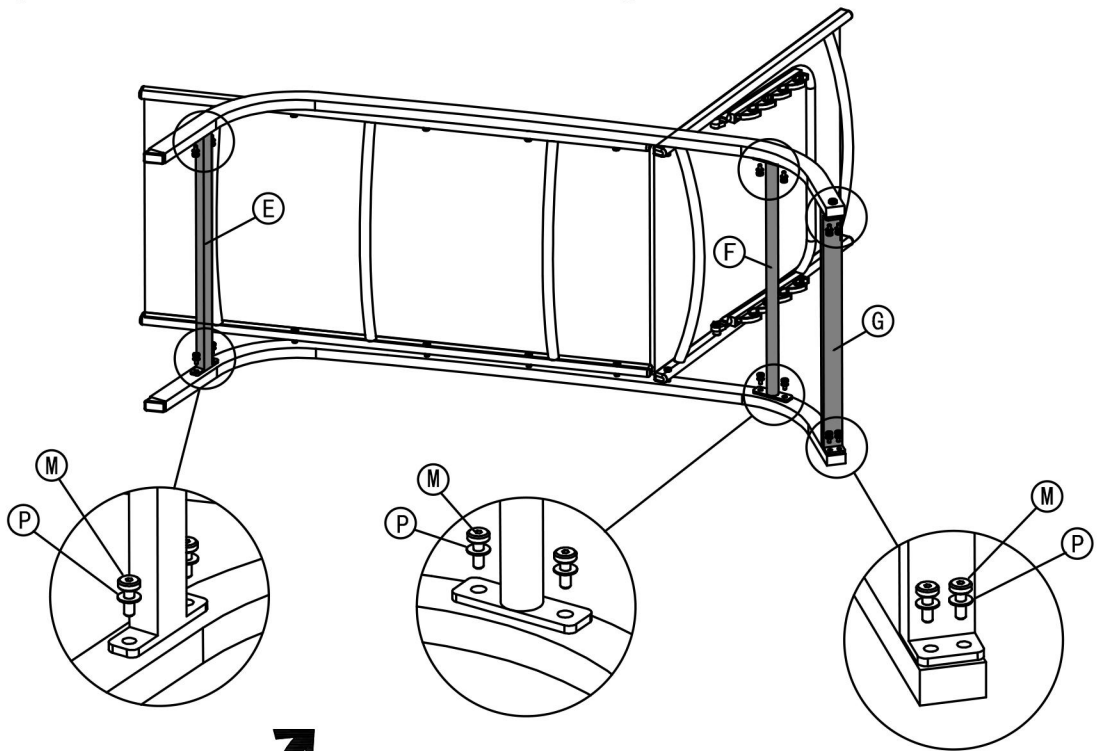

Ⓑ 1X

Ⓝ 5X M6X35

Ⓟ 5X

Ⓡ 1X S4

Step 3: Repeat the above procedures to assemble the another side.




Ⓔ 1X

Ⓕ 1X

Ⓖ 1X

Ⓟ 12X

Ⓜ 12X M6X18

Ⓡ 1X S4

Step 4: Place part M and P as shown to fix part E in the middle of part A and B. Repeat this action to fix part F,G in the middle of part A and B as shown. Please tighten them all at once.



3





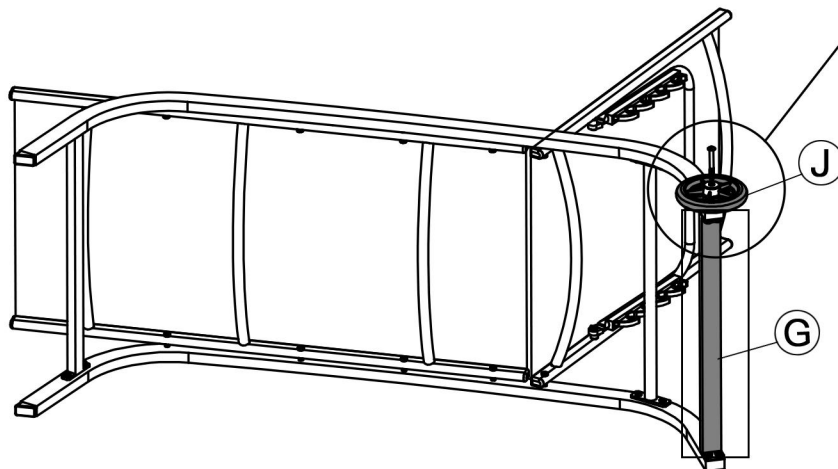
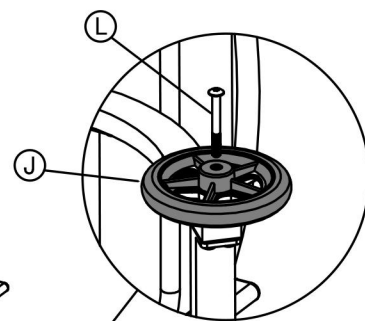
Ⓝ 1X

Step 5: Place part L as shown to fix part J to one side of part G.

Ⓛ 1X M8X70



Ⓢ 1X S5



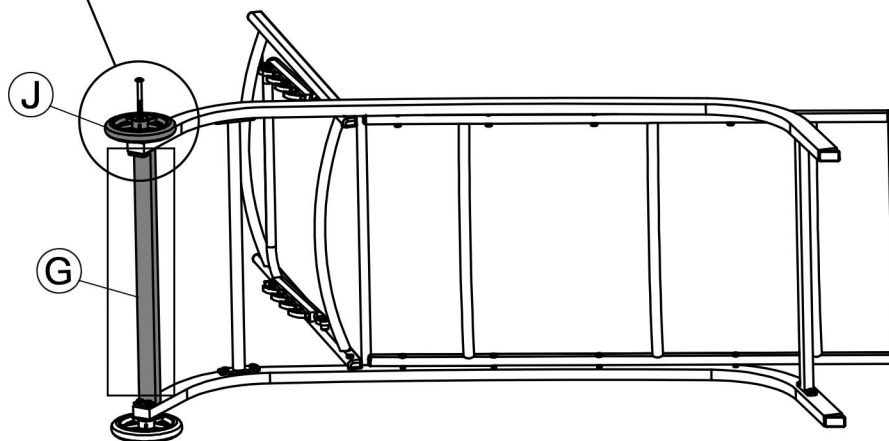
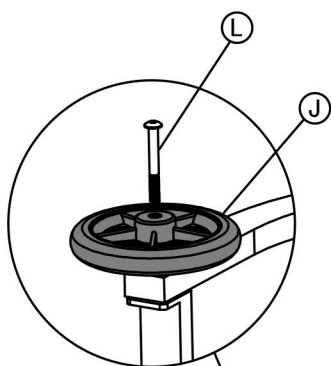
Ⓝ 1X

Step 6: Place part L as shown to fix part J to another side of part G.

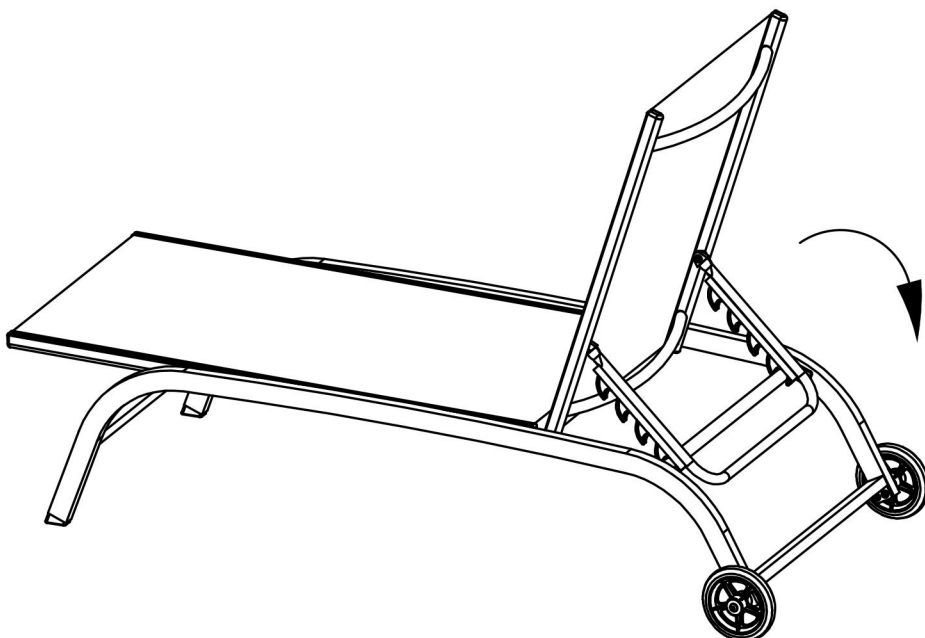
Ⓛ 1X M8X70



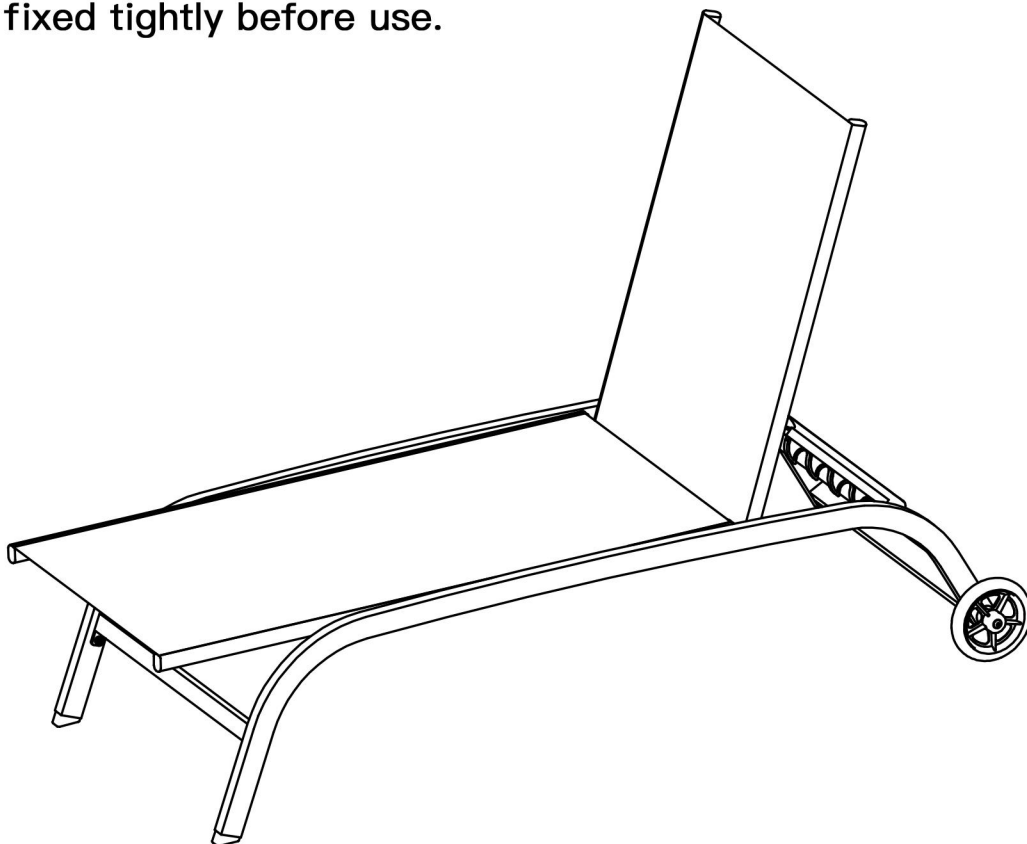
Ⓢ 1X S5



**Step 7: Tighten all the screws and turn the chair around.**



**Step 8: Repeat for another chair. Please Make sure all screws are fixed tightly before use.**





RESORT COMFORT IN YONR  
OWN BACKYARD

**Thanks for your purchase.**

At domi outdoor living, we believe in our products.

That's why we provide a 12-month warranty and

friendly, easy-to-reach after-sales service. So if you

have any questions about our product and assembly-

, please feel free to contact us. We will be here for you.

**Support:**  

email: [service@domioutdoorliving.com](mailto:service@domioutdoorliving.com)

Please tell us your order ID when contact.

Attach photos of damaged part for instant reply.