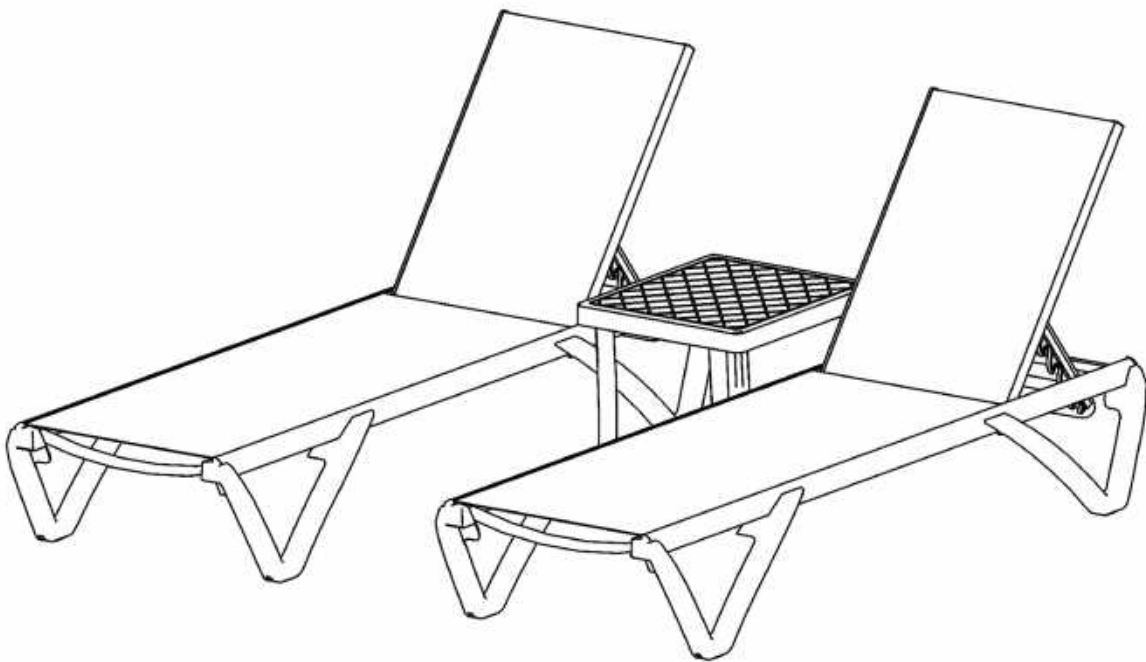




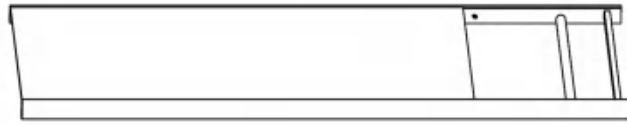
PATIO LOUNGE CHAIR AND TABLE
MODEL#: LLDZ0585+LTFZ4253

ASSEMBLY MANUAL



Missing part? Damaged? Contact us via email at
service@domioutdoorliving.com

A 2X Main Seat Frame



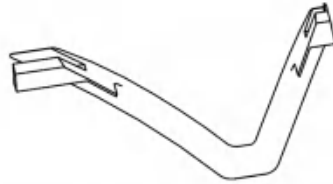
B 2X Leg



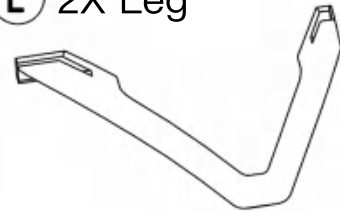
C 2X Leg



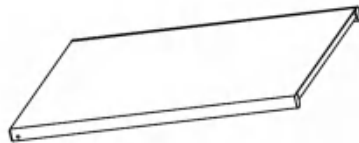
D 2X Leg



E 2X Leg



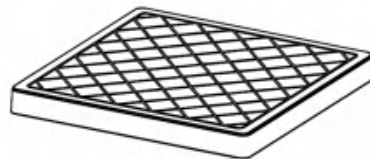
F 2X Back



G 2X Adjustment Tube



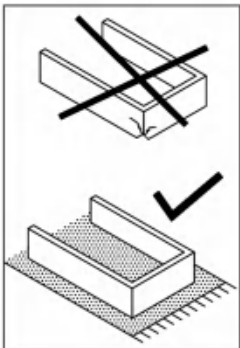
H 1X Table Top



J 4X Table Leg



Please assemble the lounge chair on the carton or carpet to avoid scratch.



K 24X Bolts



M6X30

M 4X Bolts



M6X20

N 4X Plastic Cylinder

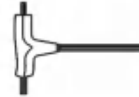


L 4X Bolts



M6X35

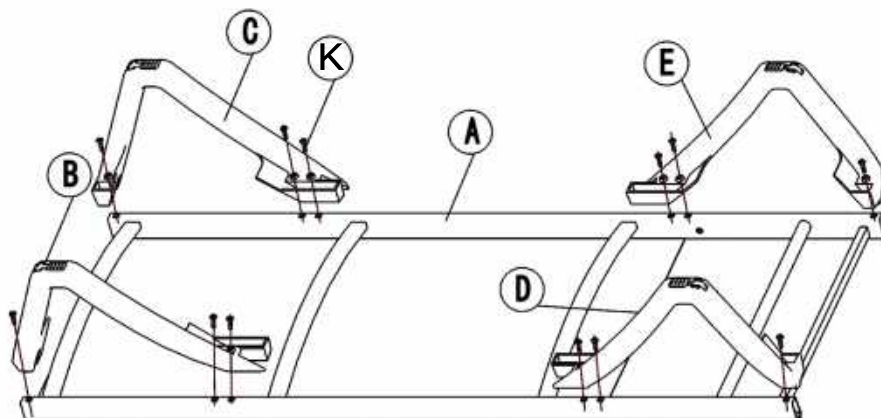
P 1X Allen Wrench



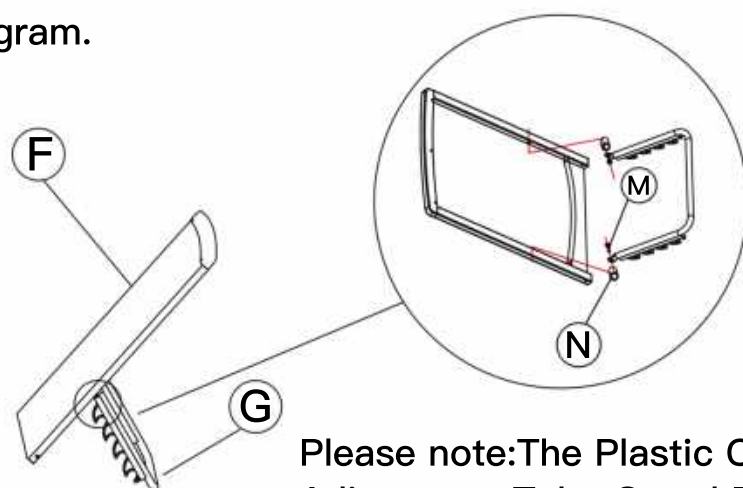
1

! Warm Tip: Please don't tighten screws before finish assemble.

Step 1: Fix 4 legs (Parts B,C, D, E) to Main Seat Frame A separately using 12X Bolts K (M6x30) as shown in diagram.

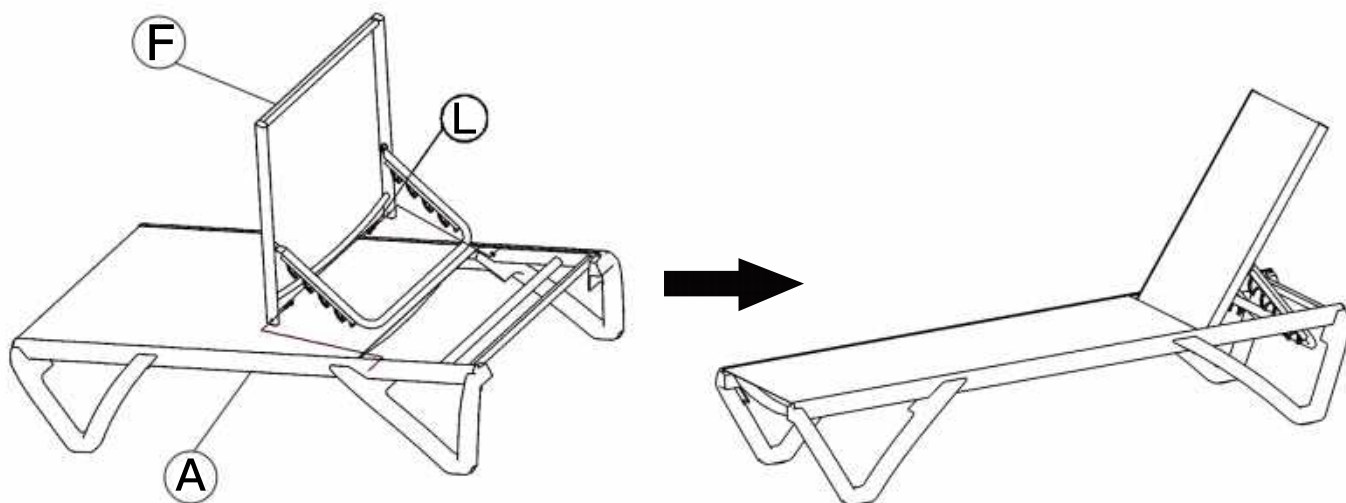


Step 2: Link Adjustment Tube G to Back F using Bolts M (M6x20) as shown in diagram.

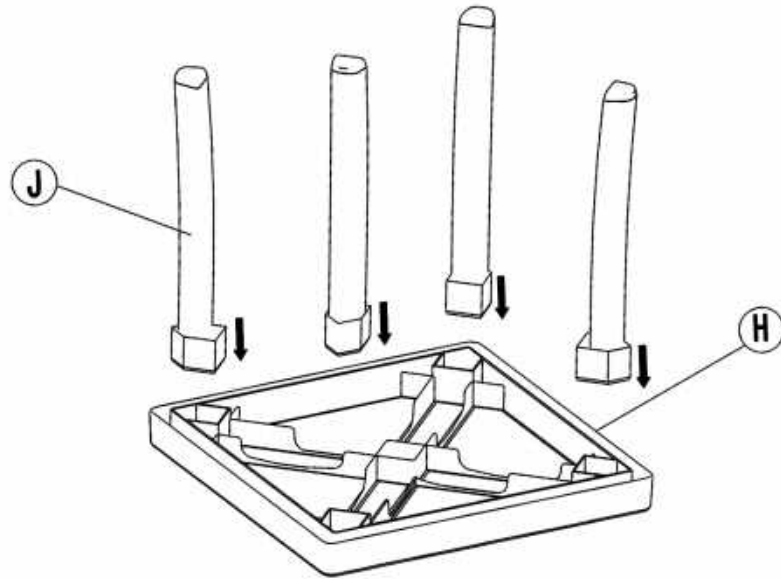


Please note: The Plastic Cylinder N must be between Adjustment Tube G and Back F.

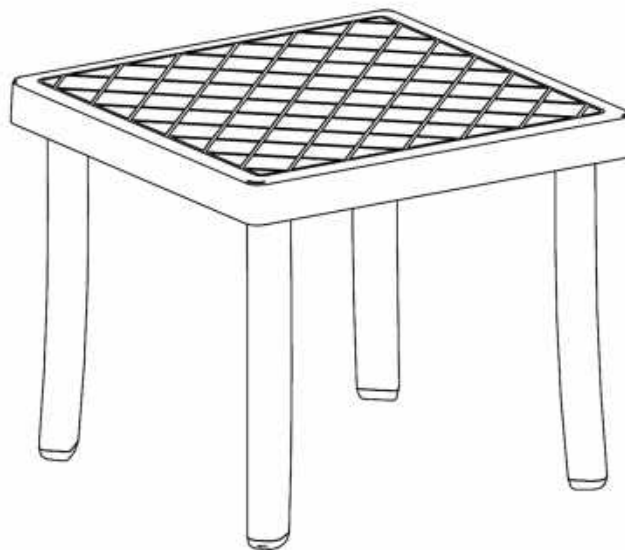
Step 3: Connect Back F to Main Seat Frame A using Bolts L (M6x35) as shown in diagram.



Step 4: Insert 4 Table legs (Part J) to the Table top (Part H) separately as shown in diagram.



Step 5: Set the chair straight.





RESORT COMFORT IN YONR
OWN BACKYARD

Thanks for your purchase.

At domi outdoor living, we believe in our products.

That's why we provide a 12-month warranty and friendly, easy-to-reach after-sales service. So if you have any questions about our product and assembly, please feel free to contact us. We will be here for you.

Support:  

email: service@domioutdoorliving.com

Please tell us your order ID when contact.

Attach photos of damaged part for instant reply.