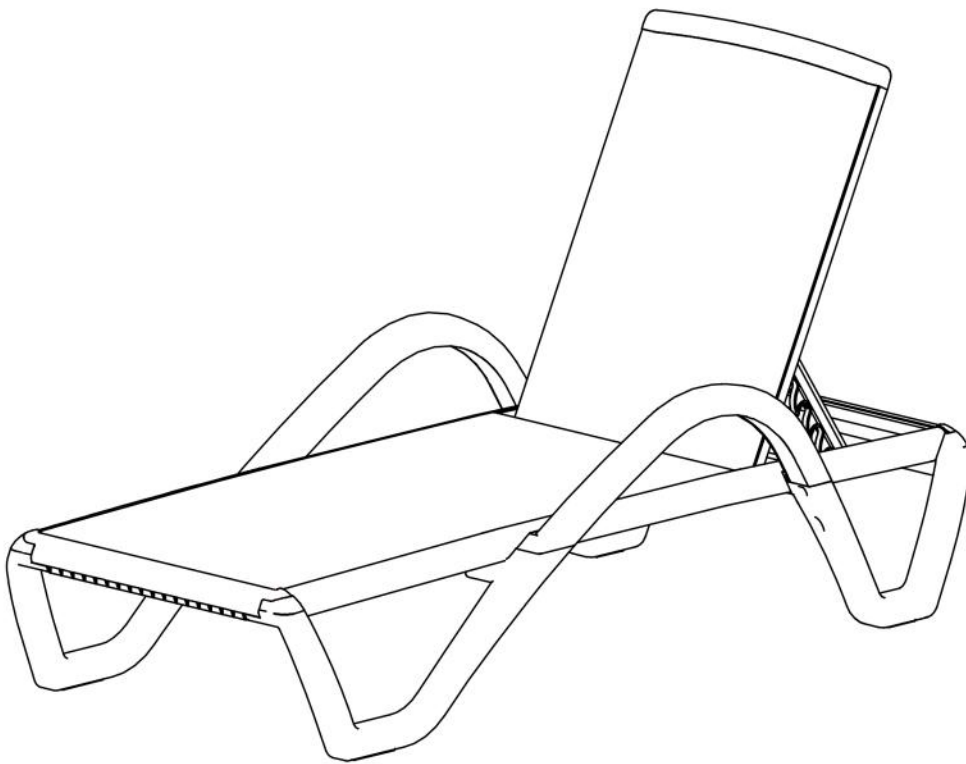
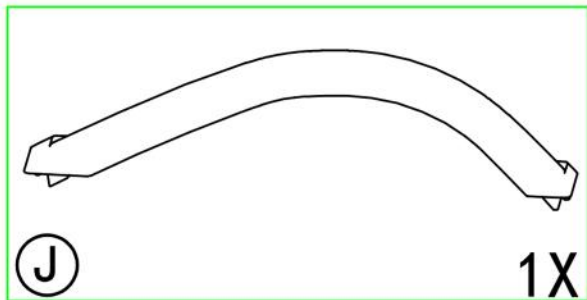
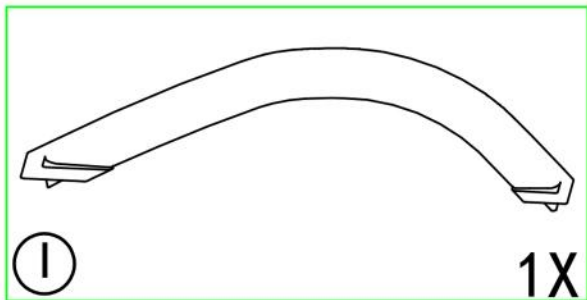
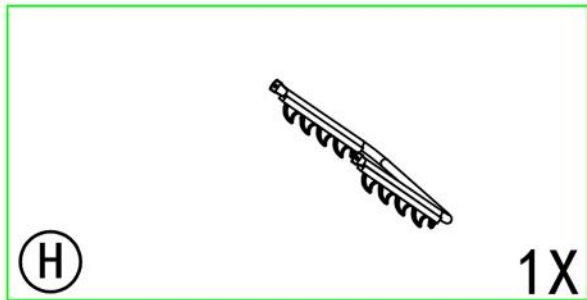
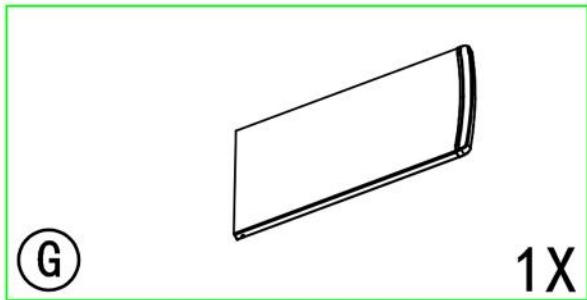
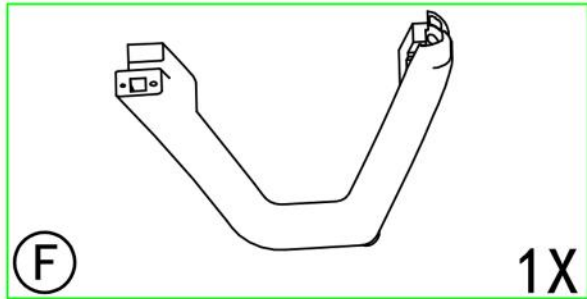
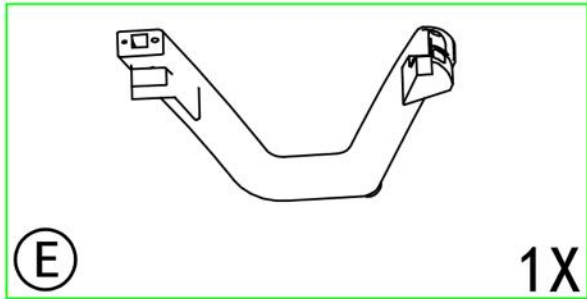
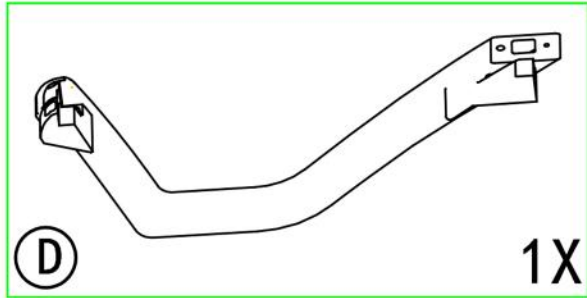
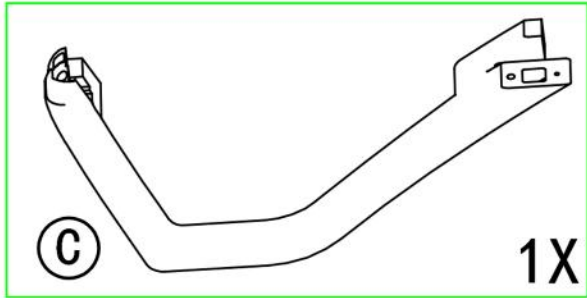
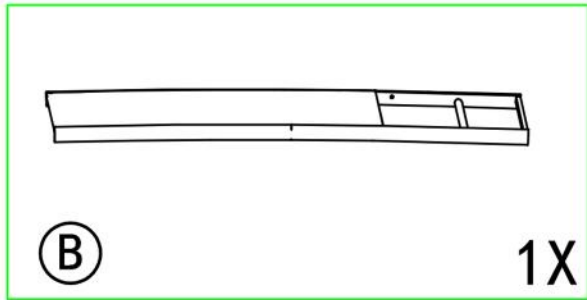
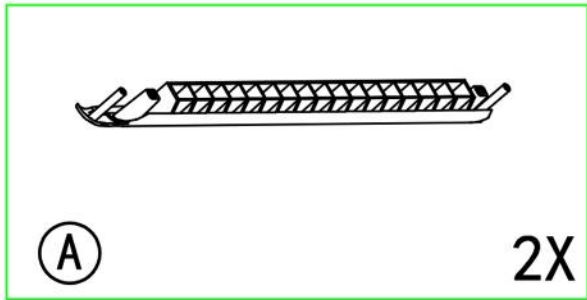




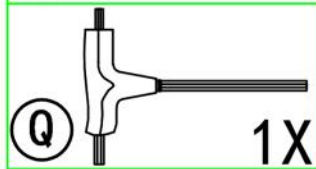
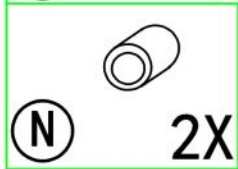
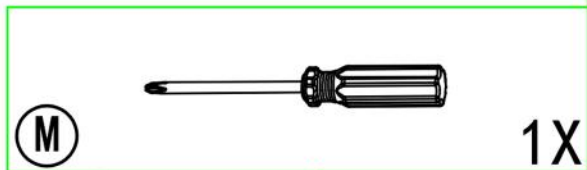
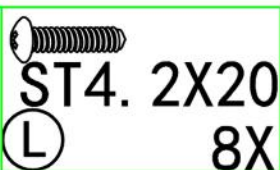
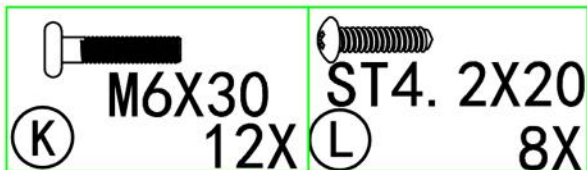
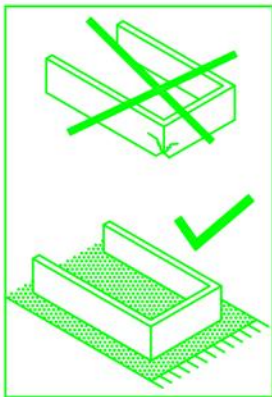
Patio Chaise Lounge Chair Assembly Manual



- Prior to assembly, please confirm all of the parts listed included.
- All bolts should be tightened before use. Maybe, you need allen wrench for assembly.
- Missing Part? Damaged? Contact us via email at service@domioutdoorliving.com



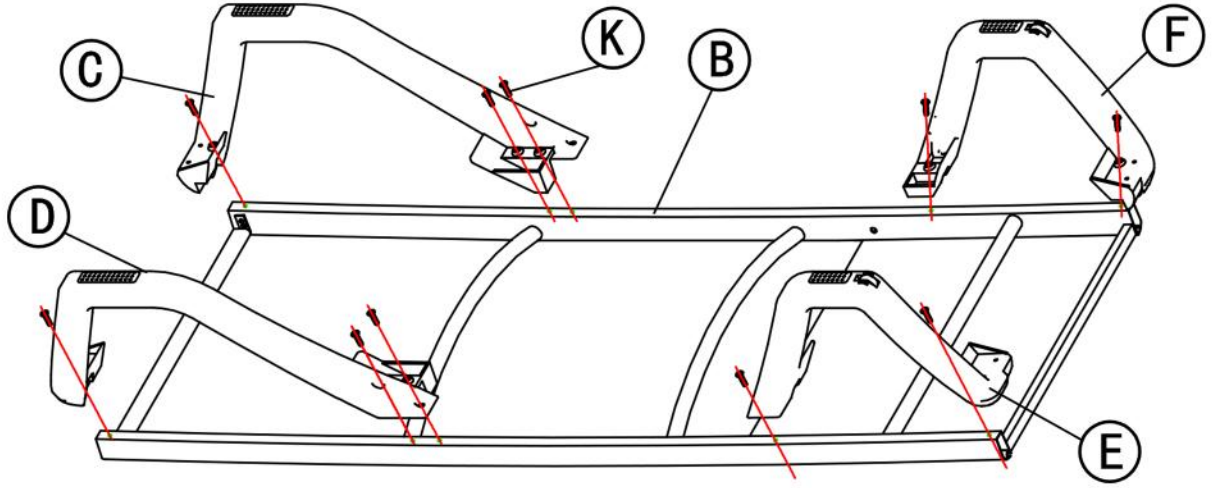
Please assemble the lounge chair on the carton or carpet to avoid scratch.



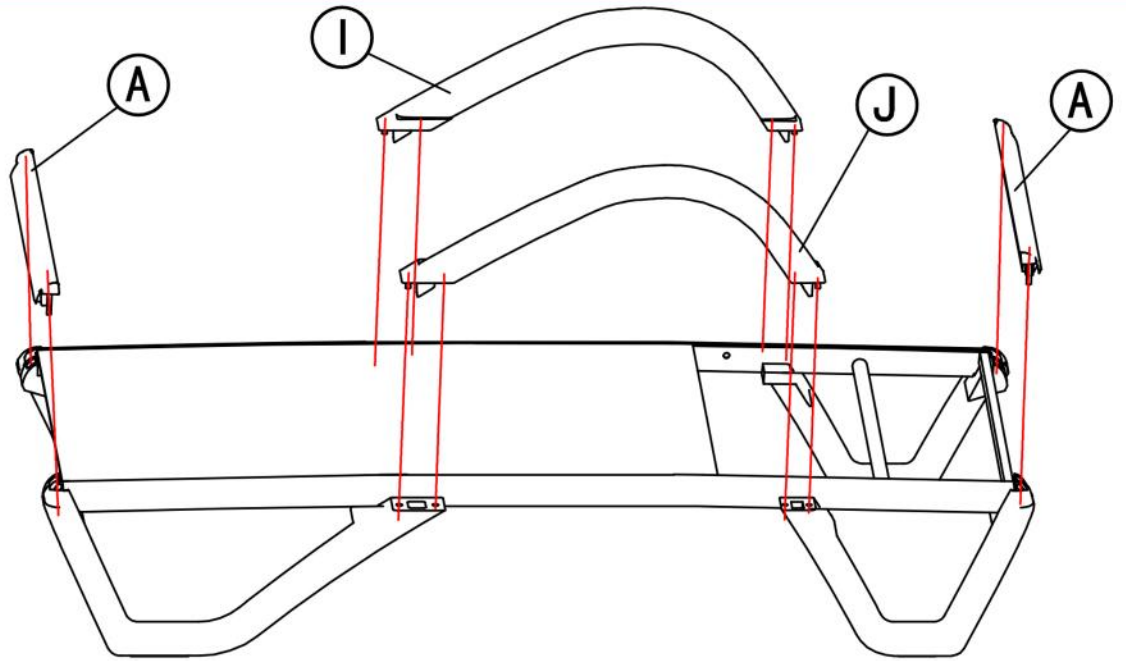
1

Warm Tip: Please don't tighten screws before finish assemble.

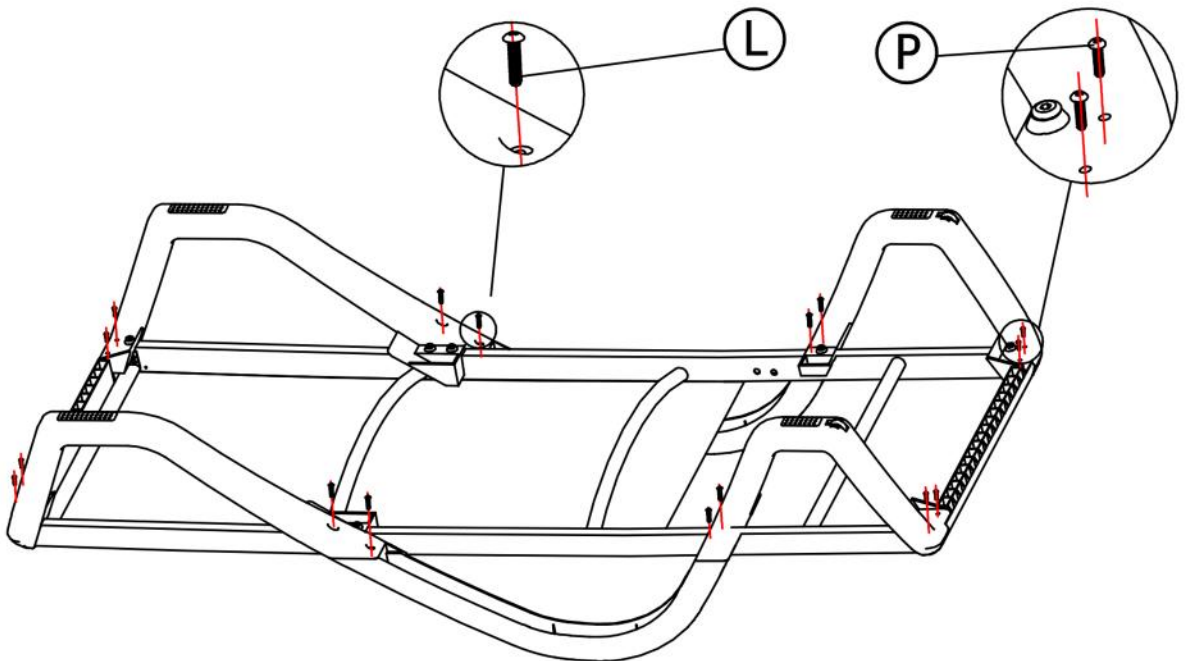
Assemble four legs Part C,Part D,Part F and Part E to the seat Part B with screws Part K.



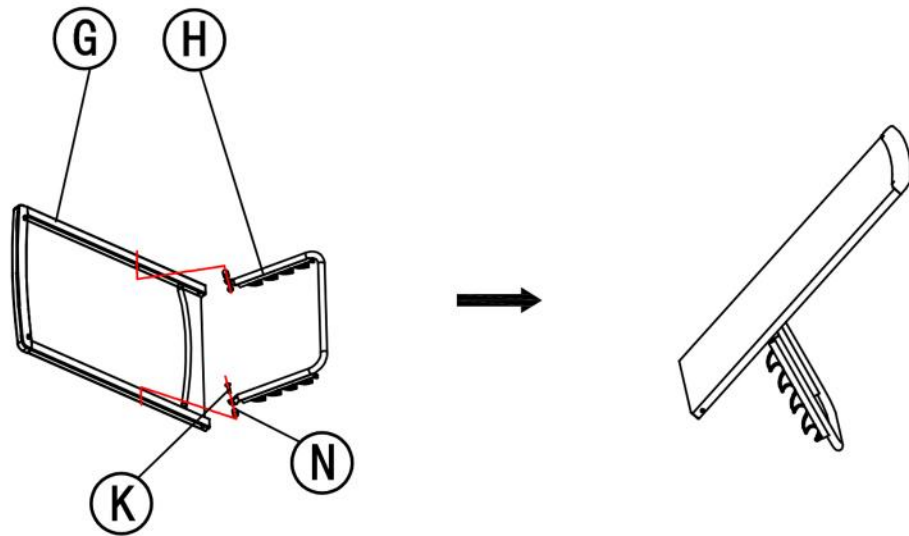
Assemble Part A to the seat Part B,then assemble Armrest Part I and Part J to the seat Part B.



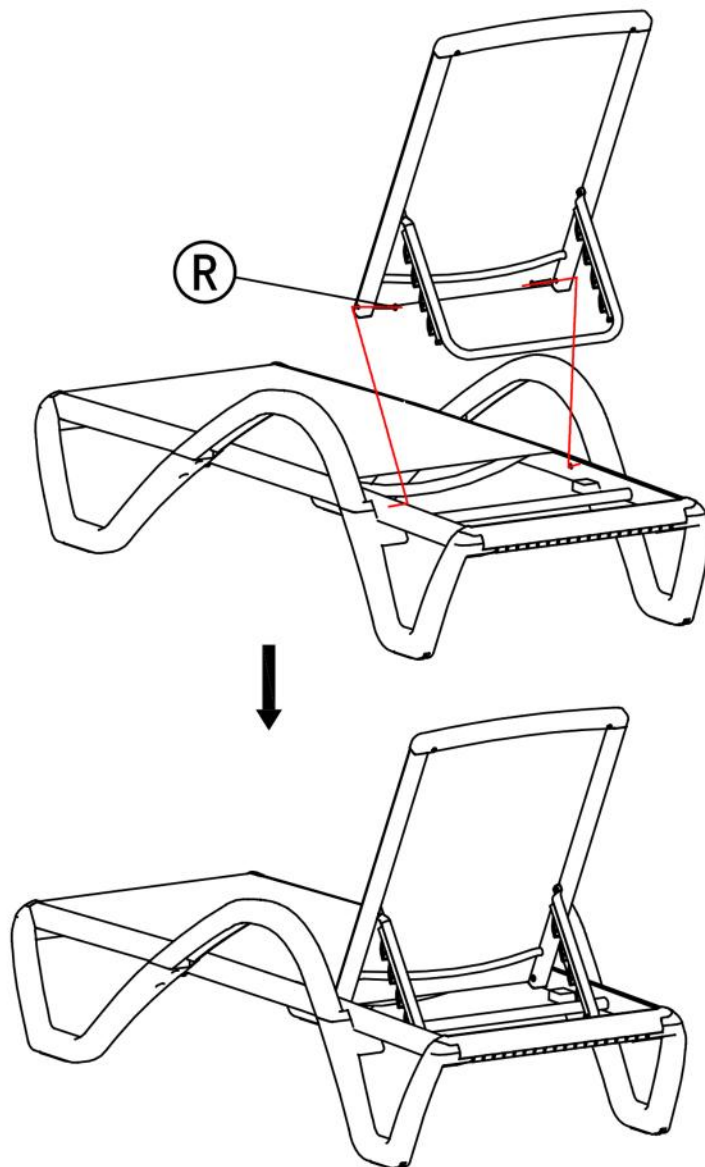
Then use screws Part L and Part P to lock the legs. Tighten all screws before using.



Assemble backrest Part G and adjustable gear Part H together using screws Part K and Part N.



Assemble backrest and adjustable gear to the seat Part B with screws Part R.





RESORT COMFORT IN YONR
OWN BACKYARD

Thanks for your purchase.

At domi outdoor living, we believe in our products.

That's why we provide a 12-month warranty and

friendly, easy-to-reach after-sales service. So if you

have any questions about our product and assembly-

,please feel free to contact us. We will be here for you.

Support:  

email: service@domioutdoorliving.com

Please tell us your order ID when contact.

Attach photos of damaged part for instant reply.