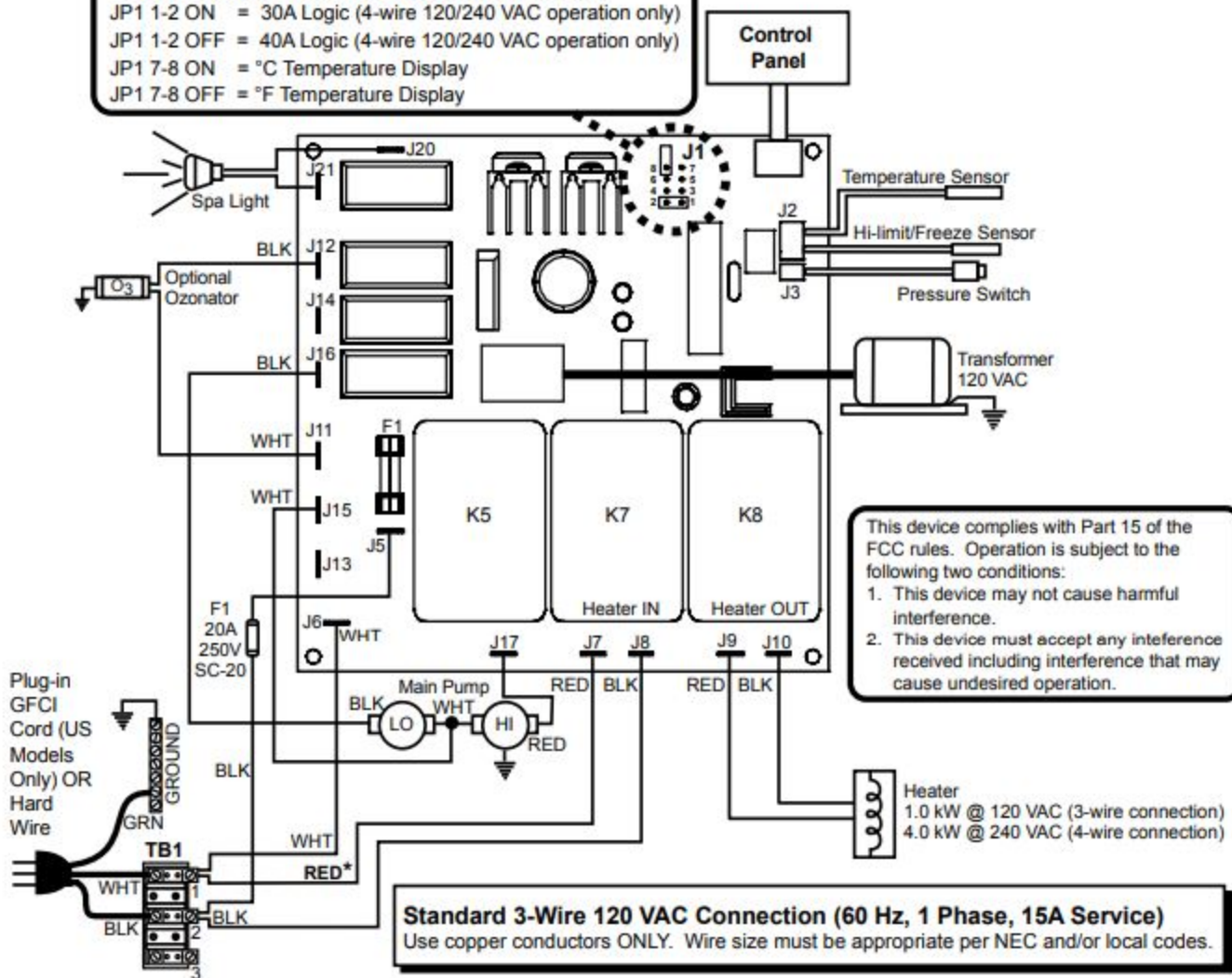


J1 Logic Jumper Settings (Factory Defaults Shown)

- JP1 1-2 ON = 30A Logic (4-wire 120/240 VAC operation only)
- JP1 1-2 OFF = 40A Logic (4-wire 120/240 VAC operation only)
- JP1 7-8 ON = °C Temperature Display
- JP1 7-8 OFF = °F Temperature Display



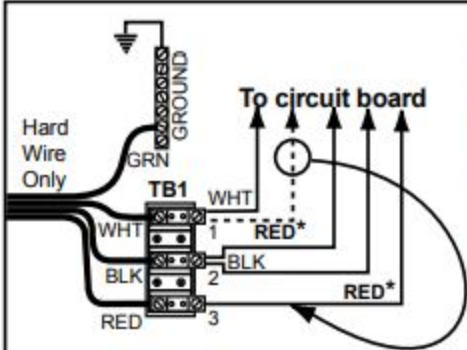
This device complies with Part 15 of the FCC rules. Operation is subject to the following two conditions:

1. This device may not cause harmful interference.
2. This device must accept any interference received including interference that may cause undesired operation.

Standard 3-Wire 120 VAC Connection (60 Hz, 1 Phase, 15A Service)
Use copper conductors ONLY. Wire size must be appropriate per NEC and/or local codes.



WARNING, ELECTRICAL SHOCK HAZARD EXISTS! Always remove power to spa before wiring and/or configuring the circuit board



Optional 4-Wire 240/120 VAC Convertible Heater Connection

1. Remove and discard the factory installed GFCI Cord.
2. Move RED* wire from TB1 position #1 to TB1 position #3 as shown below.
3. Permanently connect to the power supply. Use copper conductors ONLY. Wire size must be appropriate per NEC and/or local codes.
4. If hot tub is to be operated on 30A service, make sure the jumper provided at location JP1 #1&2 on the circuit board is installed. If hot tub is to be operated on 40A service, remove the jumper JP1 #1&2 on the circuit board.