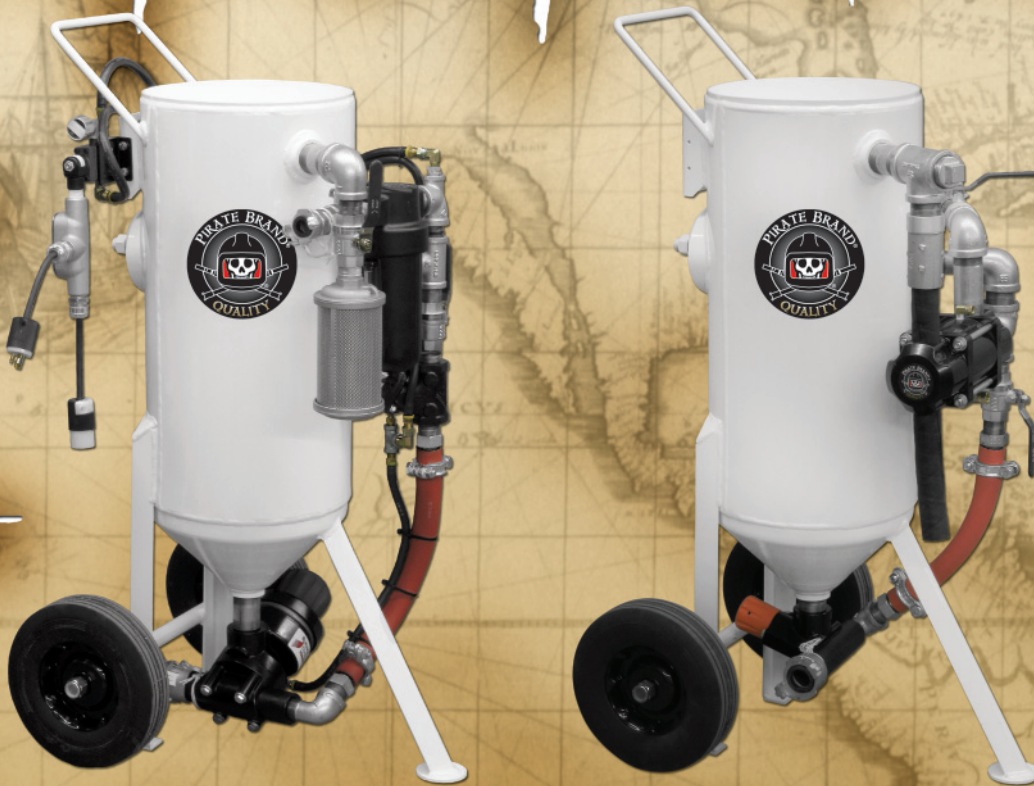




USER'S MANUAL

1.5 - SPH / SPR SERIES BLASTERS



⚠️ WARNING

These products and equipment are not under any circumstances to be used with sand or silica products of any type and use of such materials will void any warranty. Also, as with the use of any product or equipment you must be sure to use the proper safety equipment and to properly train your employees in the use of any equipment or products. The manufacturer, wholesaler and distributor assume no responsibility arising from the failure to use proper safety equipment or the failure to properly train employees in the use of products and equipment.



⚠️ WARNING

Read Manual

Failure to read, understand & follow **all** safety and operation procedures in this manual can cause serious injury or death. Manuals that are lost, incomplete, or damaged must be replaced immediately.

Manual P/N: PB-MAS003



☠ USING THIS MANUAL ☠

Thank you for your purchase of a Pirate Brand® SPH or SPR Series Blaster. It is important to note that all Pirate Brand® blasting equipment is designed to be safe when used properly, however, misuse of any abrasive blasting equipment is dangerous and can result in the severe injury or death of the operator and others in the vicinity of the blasting equipment. In order to protect yourself and those around you, read and follow all sections of this manual & warning labels located on the blasting equipment.

Definition Of Terms Used In This Manual

Abrasive: A granular material used for blasting the surface of an object. Also referred to as “Media.”

Blow-down: The automatic or manual release of air from a pressurized vessel. Also referred to as “Depressurize.”

Control Handle: A required device that allows the blaster to be remotely started and stopped.

Depressurize: The automatic or manual release of air from a pressurized vessel. Also known as “Blow-down”.

Pressure Hold System: Any blasting system in which the Pressure Vessel remains pressurized when the control handle is released. Also known as a Manual Blow-down System.

Pressure Release System: Any blasting system in which the Pressure Vessel is automatically depressurized when the control handle is released. Also known as an Automatic Blow-down System.

Pressure Vessel: The enclosed area of the blaster in which abrasive is contained and filled with pressurized air when blasting.

Pressurize: To fill the pressure vessel with compressed air.

Properly Trained: A person who can be considered “properly trained” must have successfully completed a sandblasting training course that focuses on the safe operation of stationary or portable abrasive blasters in the 1.5 - 6.5 cu. ft. capacity range. They must also have read and understood this manual in its entirety.

Silica: A hazardous substance which is contained in many naturally occurring abrasives. Dust produced by blasting with abrasives containing silica can cause respiratory disease. Do not use abrasive containing silica under any circumstance, even when respiratory protective equipment is being used.

Safety Symbols

The safety symbols shown below exist for the safety and protection of the operator and those in the vicinity of the Abrasive Blaster. The descriptions below explain how they are used in relation to the blasting equipment.



OR



OR



WARNING: This symbol calls attention to a potentially hazardous situation that could result in serious injury or death if the instructions associated with the symbol are not followed. The warning triangle will be displayed throughout the manual to denote instructions to which special attention should be paid.

DANGER: This symbol calls attention to a potentially hazardous situation that **WILL** result in serious injury or death if the instructions associated with the symbol are not followed. The warning triangle will be displayed throughout the manual to denote instructions to which special attention should be paid.



WARNING

- All persons who will be operating or will be in the vicinity of the Abrasive Blaster during its operation must receive proper training on how to safely operate the equipment and be informed of the potential hazards involved. In addition to proper training, all persons who will be operating or will be in the vicinity of the Abrasive Blaster during its operation must read, understand and follow all procedures described in the user's manual. For replacement manuals, please contact your distributor or visit www.pirate-brand.com.
- Respiratory protection is mandatory for all persons operating or located in the vicinity of the Abrasive Blaster. Follow all OSHA and NIOSH requirements for breathing equipment and supplied air standards.
- Pressurized Vessels contain large amounts of stored energy and can cause severe injury or death if safety procedures are not followed. **Never** perform maintenance or attempt to open a Pressure Vessel for any reason while it is Pressurized. **Always** Depressurize and properly disconnect equipment from its air source before performing any maintenance. **Do not** modify, grind or weld on the pressure vessel for any reason. Doing so will void the ASME certification. **Do not** use damaged pressure vessels.
- The use of proper remote control systems (commonly referred to as Deadman controls) are required when using abrasive blasters. **Never** operate the Abrasive Blaster without remote controls. **Never** use bleeder type control handles, such as Clemco® or A-BEC® style handles, with SPH or SPR series blasters as they can cause a hazardous situation where the blaster will not shut off when the handle is released.
- All persons who will be operating or will be in the vicinity of the Abrasive Blaster during its operation must protect themselves with the proper safety equipment and use of common sense. Safety equipment including but not limited to Hearing, Eye, Body and Lung protection are required. Abrasive blasters and the objects being blasted can be heavy and can lead to severe injury or death if they fall over. Always follow all safety requirements of OSHA and NIOSH.
- Use only Genuine Pirate Brand® replacement parts when performing maintenance on the Abrasive Blaster. **Do not** modify the equipment for any reason. Use of modified or non-Pirate Brand® parts can cause an unsafe situation and will void your warranty.
- **Never** use malfunctioning or damaged equipment. Before each use, inspect the Abrasive Blaster for proper function.
- Supply only cool, dry, compressed air that is free of debris to the Abrasive Blaster. Moisture or debris that reaches the remote control system can cause an unsafe situation. **Do not** supply compressed air to the blaster that exceeds 150 psi.
- **Do not** use abrasive blasters in areas that could be considered a hazardous location as described in the National Electric Code NFPA 70, Article 500. **Never** use the Abrasive Blaster in wet environments. **Always** connect electrically controlled abrasive blasters to a Ground Fault Circuit Interrupter (GFCI).



☠ TABLE OF CONTENTS ☠

Using This Manual	2
Definition Of Terms	2
Safety Symbols	2
WARNINGS	3
Safety Label Information	5
How SPR Systems Work	6
How SPH Systems Work	7
OPERATING PROCEDURES	8
Set-Up	8
Before You Blast	9
Blasting	10
MAINTENANCE PROCEDURES	12
TROUBLESHOOTING	14
Warranty	16
Pressure Vessel Parts List	17
Pipe String Parts Lists	18
SPR Series - Pneumatic Controls	18
SPR Series - Electric Controls	20
SPR Series - Pneumatic Abrasive Cut-Off	22
SPR Series - Electric Abrasive Cut-Off	24
SPH Series - Pneumatic Controls	26
SPH Series - Electric Controls	28
SPH Series - Pneumatic Abrasive Cut-Off	30
SPH Series - Electric Abrasive Cut-Off	32
Control Handle Parts Lists	34
Valve Parts Lists	35
Blasting Set-Up	40
Available Accessories	42
Blasting Chart	44

Proudly Distributed By:



Contact Info:

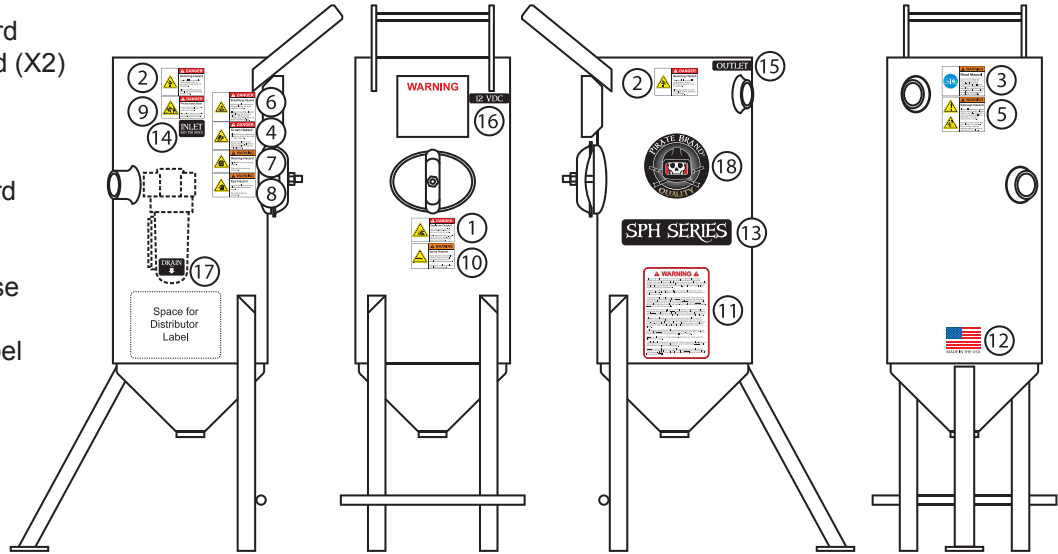
For manual updates visit the
Pirate Brand® website at:

WWW.PIRATE-BRAND.COM



WARNING LABEL LOCATIONS

- 1 - Explosion Hazard
- 2 - Severing Hazard (X2)
- 3 - Read Manual
- 4 - Crush Hazard
- 5 - Exhaust Hazard
- 6 - Breathing Hazard
- 7 - Hearing Hazard
- 8 - Eye Hazard
- 9 - Pressurized Hose
- 10 - Spray Hazard
- 11 - **WARNING** Label
- 12 - Made In USA
- 13 - Series Label
- 14 - Inlet Label
- 15 - Outlet Label
- 16 - 12VDC Label
- 17 - Drain Label
- 18 - Pirate Brand® Label



Labels must be replaced when they are no longer readable!

Replacement Label Pack P/N: PB-LPS003



Instructions For Installing Replacement Label Pack

1. Completely remove old label and clean area thoroughly before applying new label.
2. Apply replacement labels in locations as described above or as close as possible if area is obstructed
3. Exhaust Hazard Label (#5) Is only to be used with SPR Series Abrasive Blasters. **DO NOT** apply to SPH Series Abrasive Blasters.
4. 12 VDC Label (#16) is only to be used on electric remote controlled systems. **DO NOT** apply label to systems with pneumatic remote controls.
5. Choose correct Series Label (#13), **DO NOT** apply both series labels. "SPR Series" labels are for pressure release systems, "SPH Series" labels are for Pressure Hold systems.



HOW SPR SYSTEMS WORK (PRESSURE RELEASE)



WARNING: This section of the manual is designed to give you a general understanding of how the Abrasive Blaster functions. All sections of this manual must be read and understood before operating the equipment.

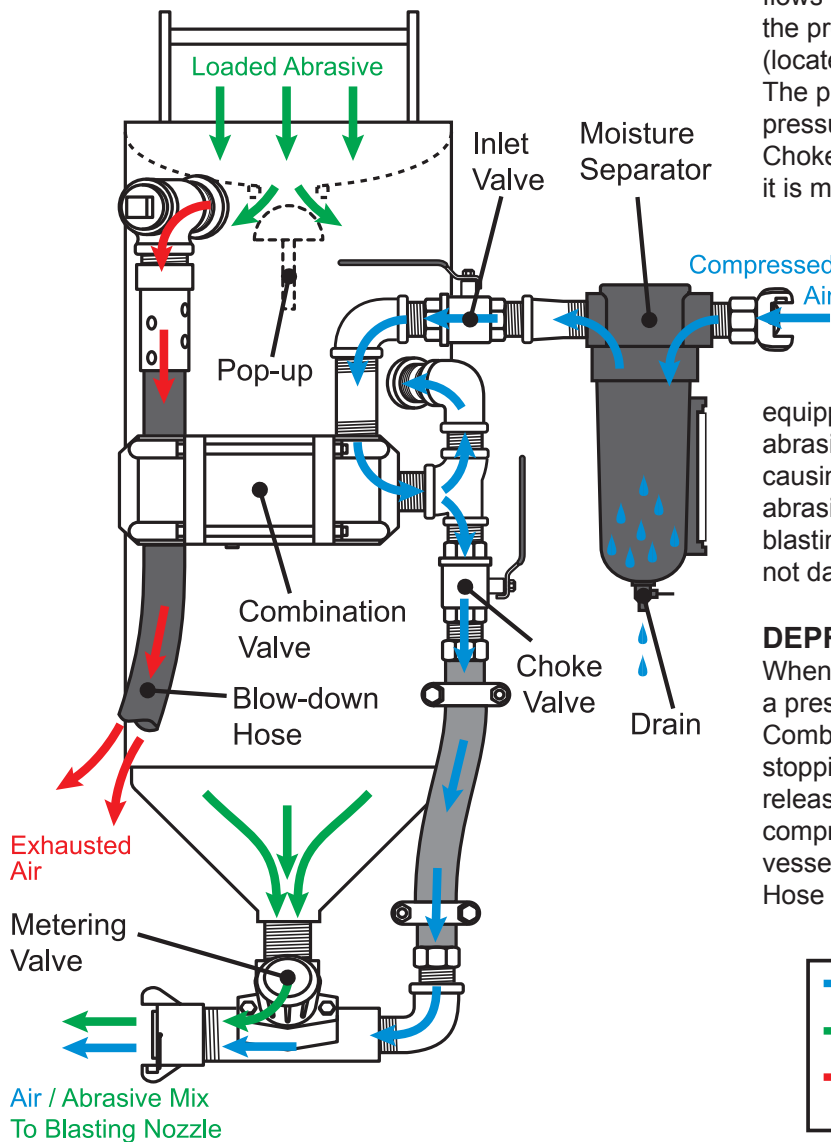
ADDING ABRASIVE

Abrasive is added through the hole in the top of the Abrasive Blaster where the Pop-up and its seat are located. When abrasive is added, it flows down through the hole, around the Pop-up, and down to the bottom of the pressure vessel where it will exit through the Metering Valve when blasting is started.

PRESSURIZATION

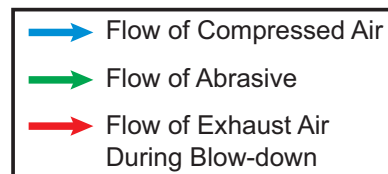
When a compressed air source (such as an air-compressor) is connected to the inlet of the Abrasive Blaster and the Inlet Valve is opened, compressed air flows through the Moisture Separator and reaches the Combination Valve where it is stopped. When the control handle is activated, the Combination Valve

pinches the Blow-down Hose and air flows through the Combination Valve into the pressure vessel causing the Pop-up (located internally) to seal against its seat. The pressure vessel is now sealed and pressurized. Air will also continue past the Choke Valve to the Metering Valve where it is mixed with abrasive. The mixture of compressed air will now exit the Abrasive Blaster through a blast hose and nozzle connected to the coupling on the Metering Valve and blasting begins. It is important to note that in SPR abrasive blasters equipped with MPV Metering Valves, some abrasive will collect at the base of the valve causing the blast hose to pulsate and spray abrasive erratically for a short time when blasting is started. This is normal and will not damage the Abrasive Blaster.



DEPRESSURIZATION (BLOW-DOWN)

When the control handle is released in a pressure release (SPR) system, the Combination Valve automatically closes stopping the flow of compressed air and releasing the Blow-down Hose. The compressed air remaining in the pressure vessel is released through the Blow-down Hose and blasting ends.





⚠ HOW SPH SYSTEMS WORK ⚠ (PRESSURE HOLD)

WARNING: This section of the manual is designed to give you a general understanding of how the Abrasive Blaster functions. **All** sections of this manual must be read and understood before operating the equipment.

ADDING ABRASIVE

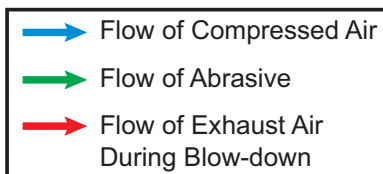
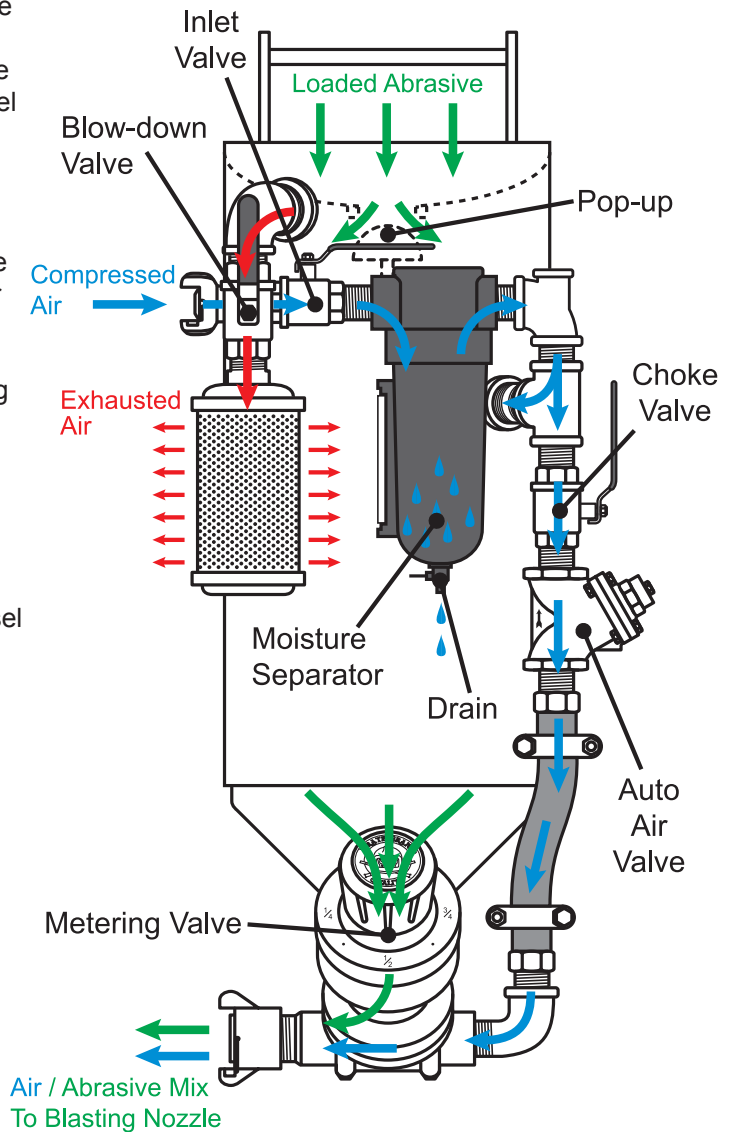
Abrasive is added through the hole in the top of the Abrasive Blaster where the Pop-up and its seat are located. When abrasive is added, it flows down through the hole, around the Pop-up and, down to the bottom of the pressure vessel where it will exit through the Metering Valve when blasting is started.

PRESSURIZATION

Before pressurization can take place in a pressure hold system, the Blow-down Valve must be closed. Then, when a compressed air source (such as an air-compressor) is connected to the inlet of the Abrasive Blaster and the Inlet Valve is opened, compressed air can flow through the Moisture Separator and into the pressure vessel causing the Pop-up (located internally) to seal against its seat allowing the pressure vessel to become pressurized. When the control handle is activated, the Auto Air Valve and Metering Valve open allowing compressed air & abrasive to flow and mix. The mixture of compressed air and abrasive will now exit the Abrasive Blaster through a blast hose and nozzle connected to the coupling on the Metering Valve and blasting begins.

DEPRESSURIZATION (BLOW-DOWN)

When the control handle is released in a pressure hold (SPH) system, the pressure vessel remains filled with compressed air. The compressed air remaining in the pressure vessel is released when the inlet valve is manually closed and the blow-down valve is manually opened.





OPERATING PROCEDURES



WARNING: The Procedures provided in the Operating Procedures section of the manual are designed to provide basic information on how to safely operate the features of Pirate Brand® SPH/SPR Series Abrasive Blasters. Only personnel thoroughly trained in abrasive blasting should operate the Abrasive Blaster.

SETTING-UP THE BLASTER

INSPECT PRESSURE VESSEL

When you receive your Abrasive Blaster, remove the Handway Assembly and check for foreign items that may have fallen into the Abrasive Blaster through the Pop-up opening. Remove any foreign materials and reinstall the Handway Assembly.



DANGER: Never perform any maintenance or attempt to open the Abrasive Blaster in any way while it is pressurized. The violent release of compressed air and propelled objects will cause serious injury or death.

RE-TIGHTEN HANDWAY ASSEMBLY

After the Abrasive Blaster has been pressurized for the first time, tighten the nut on the Handway Assembly. Tightening the nut on the Handway Assembly should also be done any time after the handway has been removed for maintenance before and after the next pressurization.



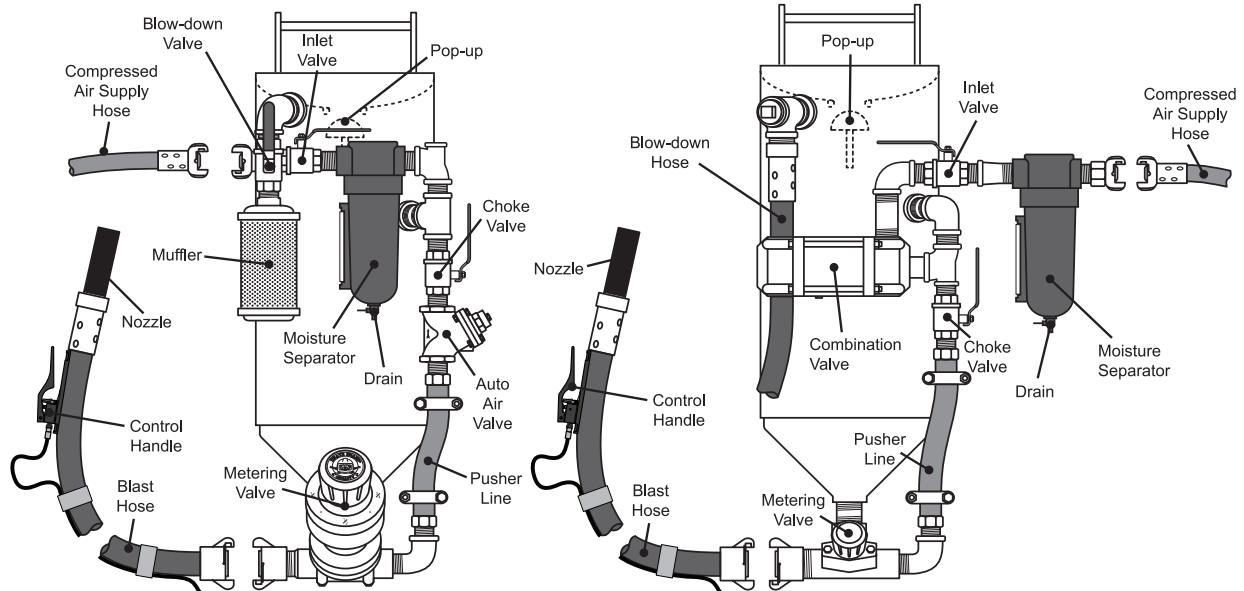
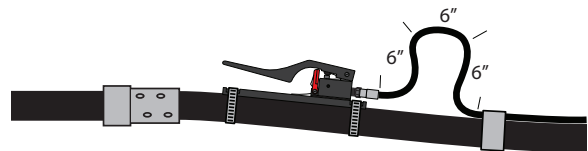
DANGER: Never perform any maintenance or attempt to open the Abrasive Blaster in any way while it is pressurized. The violent release of compressed air and propelled objects will cause serious injury or death.

PURGE AIR SUPPLY HOSE

Before connecting the Air Supply Hose to the Abrasive Blaster, purge the hose of any moisture or foreign debris. Standing water or moisture in the air line will cause degraded performance of the Abrasive Blaster. Air supplied to the Abrasive Blaster must be clean, dry and cool.

ATTACH REMOTE CONTROL HANDLE

Attach the Remote Control Handle to the Blast Hose near the Nozzle with hose clamps or heavy wire ties. Form a loop of Twinline/Control Cord that comes 6" away from the Blast Hose, runs 6" parallel to the Blast Hose, and comes 6" back to the Blast Hose. Using duct tape, attach the Twinline/Control Cord to the Blast Hose where the loop ends by wrapping the tape around the Twinline/Control Cord twice and then around the Blast Hose. This creates a strain-relief attachment and is only necessary on the first connection near the Control Handle. Starting from the Nozzle end of the Blast Hose, attach the Twinline/Control Cord to the blast hose by wrapping duct tape around both every 3 feet.





OPERATING PROCEDURES

BEFORE YOU BLAST

PRE-BLAST CHECK

Before each use of the Abrasive Blaster, it must be checked to ensure it is in a safe condition to be used. Closely examine all components of the Abrasive Blaster for signs of excessive wear, worn out seals and hoses, or damaged components. If any component of the Abrasive Blaster is found to be damaged or worn, it must be replaced before blasting.



WARNING: Never use an Abrasive Blaster if any components are damaged or worn. Damaged or worn parts must be replaced before use.

ADDING ABRASIVE

Before filling the Abrasive Blaster, make sure the inlet valve is closed and the pressure vessel is in a depressurized state. Abrasive is added by pouring it into the top of the Abrasive Blaster where it can flow around the Pop-up and into the pressure vessel. Do not overfill the Abrasive Blaster. Do not allow foreign materials to enter the Abrasive Blaster. It is recommended that a screen be used to prevent foreign objects from entering the Abrasive Blaster.



DANGER: Never reach into the Pop-up opening while filling the Abrasive Blaster. It can close without warning causing severe injury or death.



WARNING: Pirate Brand® Abrasive Blasters may not be used with abrasives containing silica. Never use abrasives containing silica.



WARNING: Never fill the abrasive blaster with the inlet valve in the open position. Always close the inlet valve before filling.



WARNING: Electrically conductive abrasives may not be used with the abrasive blasters using Electric Remote Control Systems without changing to sealed strain relief connectors.



WARNING: Never attempt to move or transport the Abrasive Blaster when it contains Abrasive.

REMOTE CONTROL SYSTEM

Abrasive Blasters must use a Remote Control System (commonly known as deadman) to start and stop abrasive blasting. Remote Control Systems can be electric or pneumatic.

Electric: Connect the Remote Control Handle to the Abrasive Blaster's female twist-lock connector. Connect a 12 VDC power source (12V Battery or Optional 120 VAC to 12 VDC converter) to the Abrasive Blaster's male twist-lock connector.

Pneumatic: Connect the Remote Control twinline hose to the Abrasive Blaster using the supplied threaded or quick-disconnect fittings. The twinline hose is supplied with different size fittings on each of the 2 lines to prevent them from being connected to the Abrasive Blaster incorrectly. Do not modify or reverse these fittings. It is not recommended that Pneumatic Remote Control Systems are used when the Blast Hose length will be longer than 100 feet.



WARNING: Never operate the Abrasive Blaster without a Remote Control System.



WARNING: Never use bleeder type Remote Control Handles such as Clemco® or A-BEC® style handles with Pirate-Brand® SPH/SPR Series equipment as they may cause the Abrasive Blaster to start without warning or to not stop the Abrasive Blaster when released.



WARNING: Never reverse or modify pneumatic Remote Control twinline hose fittings.



DANGER: Always use caution around electric sources to avoid electric shock. Do not operate electrical remote controlled Abrasive Blasters in wet or other hazardous environments.

CONNECTING HOSES

Before connecting hoses to the Abrasive Blaster, make sure the Inlet Valve is closed and the compressed air supply is shut off. Connect the hose coming from the compressed air supply to the inlet on the Abrasive Blaster and secure with safety clips. Connect the blast hose to the coupling on the Metering Valve at the base of the Abrasive Blaster and secure with safety clips.



WARNING: Always use safety devices like clips and whip-checks (safety cables) at hose connections.



OPERATING PROCEDURES

BLASTING

PRESSURIZING THE ABRASIVE BLASTER

Before pressurizing the Abrasive Blaster make sure the following conditions occur:

- ☞ All "BEFORE YOU BLAST" procedures have been followed.
- ☞ The Inlet Valve is closed.
- ☞ The Blow-down Valve is closed (SPH systems only).
- ☞ The Remote Control Handle is released.
- ☞ All hose connections are secure and have a safety clip installed.
- ☞ The Abrasive Blaster is set up in a safe and level location where all people in the vicinity are aware of its presence.
- ☞ All necessary safety equipment is present and being worn by all people in the vicinity of the Abrasive Blaster.
- ☞ Only personnel who have been thoroughly trained and have read and understand the manual are in the vicinity of the Abrasive Blaster.

When the above conditions are met, turn on the compressed air source and open the Inlet Valve on the Abrasive Blaster. The Abrasive Blaster is now ready to begin blasting.



DANGER: Never perform any maintenance or attempt to open the Abrasive Blaster in any way while it is pressurized. The violent release of compressed air and propelled objects will cause serious injury or death.



DANGER: Never supply compressed air exceeding 150 PSI (10.3 BAR) to the Abrasive Blaster.



WARNING: Blast Hose may kick back when Remote Control Handle is activated. Be prepared and brace yourself for kick back. Blasters with MPV Metering Valves will normally kick back erratically for a short time when started.



WARNING: All those who will be in the area while blasting is to occur must be properly trained, read the manual, and be wearing safety equipment to protect from the hazards described by the WARNING and DANGER labels located on the Abrasive Blaster. If any labels are worn or missing they must be replaced. (Label Pack PN: PB-LPS003)

USING THE ABRASIVE BLASTER

After pressurizing the Abrasive Blaster, it is ready to begin blasting. Press safety button or push down safety flap and squeeze the Remote Control Handle to start the flow of abrasive and compressed air. Adjustments to the air/abrasive mixture can be made by turning the handle on the Metering Valve. There will be a delay between a change made at the Metering Valve and what comes out of the Nozzle depending on the length of Blast Hose being used. Adjustments to the Metering Valve can only be made when Abrasive Blaster is not in operation.

To stop the flow of compressed air and abrasive, release the Remote Control Handle and blasting will stop after a short time. How long it takes for blasting to stop will depend on the length of Blast Hose being used. On Pressure Release (SPR) Abrasive Blasters, the pressure vessel will automatically exhaust through the Blow-Down Hose causing a rush of compressed air that can propel any loose objects, debris or spilled abrasive at nearby personnel. For this reason, personnel must not be located near a Pressure Release (SPR) Abrasive Blaster when blasting is taking place.



DANGER: Airborne particles produced by abrasive blasting can cause respiratory disease. All persons operating or located near the blasting site must wear approved NIOSH / OSHA approved breathing equipment. Never use abrasive containing silica.



DANGER: Never stand near a Pressure Release (SPR) Abrasive Blaster when it is in operation. The release of the Remote Control handle will cause a sudden and violent release of compressed air from the exhaust hose without warning. Only Adjust the Metering Valve after the Abrasive Blaster has completely depressurized.



WARNING: Only personnel thoroughly trained in abrasive blasting should operate the Abrasive Blaster. This manual only provides basic information on how to safely operate the features of Pirate Brand® SPH/SPR Series Abrasive Blasters.



WARNING: Never point the blast Nozzle at yourself, other people, or the Abrasive Blaster.



WARNING: The Choke Valve must be completely open when blasting or damage to equipment will occur.



OPERATING PROCEDURES

BLASTING

DRAINING THE MOISTURE SEPARATOR

During blasting, the Moisture Separator must be periodically drained. The best way to accomplish this is to leave the drain valve slightly open all the time so it constantly leaks air and forces moisture out.



WARNING: The Abrasive Blaster must be supplied with clean, cool, dry compressed air in order to function properly. The included Moisture Separator on the Abrasive Blaster may not be sufficient to achieve this depending on the quality of the air being supplied.

SHUTTING DOWN THE ABRASIVE BLASTER

When blasting is complete, the Abrasive Blaster will need to be shut down. Make sure the Remote Control Handle is released then close the Inlet Valve. Pressure Release (SPR) Abrasive Blasters will already be depressurized. To depressurize Pressure Hold (SPH) Abrasive Blasters, slowly open the Blow-down Valve to allow the compressed air stored in the Abrasive Blaster to escape.



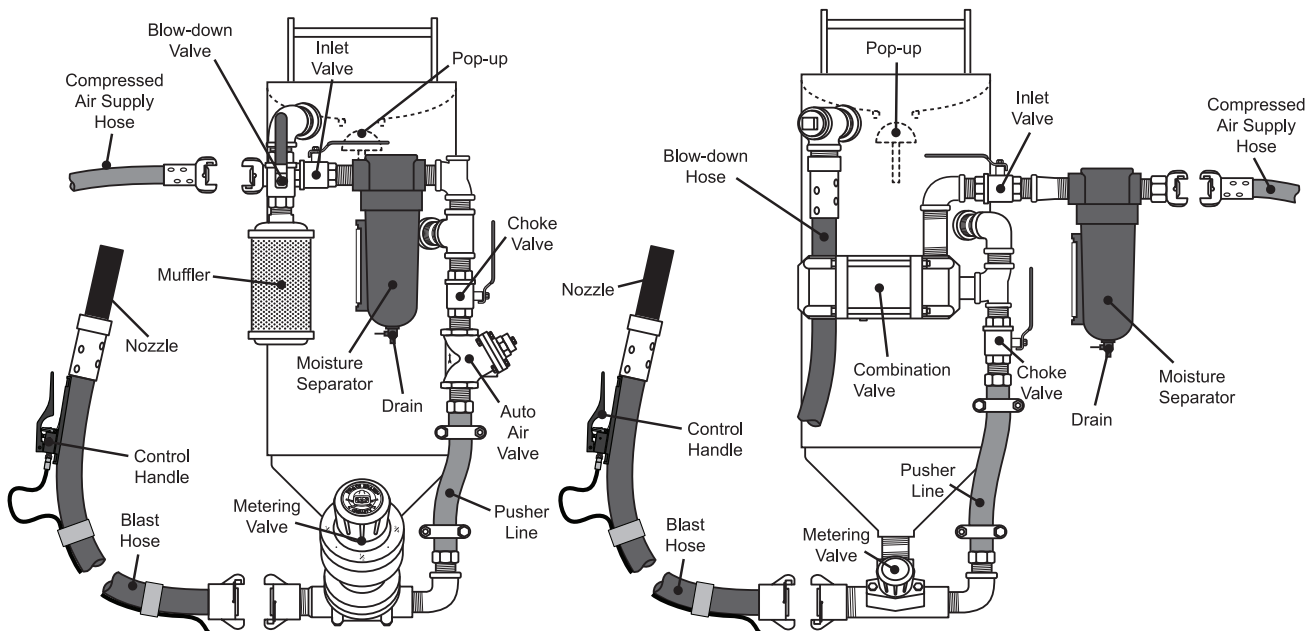
WARNING: Never operate a Pressure Hold (SPH) Abrasive Blaster without a muffler on the Blow-down valve. Without the muffler, the sudden release of compressed air can cause severe injury.

DISCONNECTING AIR SUPPLY HOSE

After the Abrasive Blaster has been depressurized, and the Inlet Valve has been closed, the Compressed Air Supply Hose may still contain pressure which must be released before disconnecting the hose. To do this shut off the compressed air at its source, and open the Drain Valve on the Abrasive Blaster. Slowly open the inlet valve on the Abrasive Blaster. The compressed air stored in the Compressed Air Supply Hose can now escape through the Drain Valve. When you no longer hear air escaping through the drain valve, squeeze the Compressed Air Supply Hose to confirm the absence of compressed air. After confirming the absence of compressed air in the Compressed Air Supply Hose it is ready to be disconnected.



DANGER: Never disconnect any compressed air supply hose without first performing the "DISCONNECTING AIR SUPPLY HOSE" procedure described above. Failure to do so can cause the hose to blow off violently injuring or killing nearby people.





MAINTENANCE PROCEDURES



Maintenance Schedule



DANGER: Never perform any maintenance or attempt to open the Abrasive Blaster in any way while it is pressurized. The violent release of compressed air and propelled objects will cause serious injury or death.



WARNING: Maintenance procedures are to be performed by experienced qualified personnel only. Failure to perform maintenance procedures correctly at the intervals specified below can lead to performance problems and equipment failure, and will void the equipment warranty.

Procedure to be Performed	Maintenance Interval
1 Inspect Personal Protective Equipment (PPE) Including but not limited to: Respirators, Airline Filters, Carbon-Monoxide Monitors, Hearing Protection, Eye Protection, Foot Protection, Protective Clothing & Gloves. Reference www.osha.gov 29 CFR 1910.132 - General Requirements (PPE) 29 CFR 1910.133 - Eye (PPE) 29 CFR 1910.134 - Respiratory (PPE) 29 CFR 1910.136 - Feet (PPE) 29 CFR 1910.138 - Protective Clothing & Gloves (PPE) 26 CFR 1926.101 - Hearing (PPE)	Every 8 Hours Of Use
2 Inspect Remote Control Handles and Control Hose/Cord	Every 8 Hours Of Use
3 Inspect Blast Hose, Couplings & Gaskets	Every 8 Hours Of Use
4 Inspect Blasting Nozzle	Every 8 Hours Of Use
5 Inspect Air Hose, Couplings & Gaskets	Every 8 Hours Of Use
6 Inspect & Clean Blow-down Muffler (If Equipped)	Every 40 Hours Of Use
7 Inspect Blow-down Hose Assembly (SPR Systems Only)	Every 200 Hours Of Use
8 Inspect Pop-Up & Pop-Up Gasket	Every 200 Hours Of Use
9 Service Metering Valve	Every 600 Hours Of Use
10 Service Auto Air Valve (If Equipped)	Every 600 Hours Of Use
11 Service Combination Valve (If Equipped)	Every 600 Hours Of Use
12 Service Control Valve(s) (If Equipped)	Every 600 Hours Of Use
13 Replace Moisture Separator Filter Element	Every 2000 Hours Of Use

Descriptions of maintenance procedures referenced in this table are located on the next page.



MAINTENANCE PROCEDURES



Procedure Details

1. Inspect Personal Protective Equipment (PPE)

Inspect ALL Personal Protective Equipment (PPE) for proper fit, condition & operation as designed. Replace, repair, or be fitted as needed.

2. Inspect Remote Control Handles and Control Hose/Cord

Pneumatic Remote Control Systems:

Inspect Control Handle for damage making sure the Safety Flap/Lever Lock/Button is in good working order and replace or repair as needed. Inspect twinline hoses and replace if leaks, areas that show abrasion, or soft spots are found.

Electric Remote Control Systems:

Inspect Control Handle for damage making sure the Safety Flap/Lever Lock/Button is in good working order and replace or repair as needed. Inspect control cord and replace if damaged plug ends, areas that show abrasion, exposed wires, or cracks are found.

3. Inspect Blast Hose, Couplings & Gaskets

Inspect Blast Hose for leaks, abrasion & soft spots, and replace as needed. Inspect couplings for damage, leaks & wear, and replace as needed. Inspect coupling gaskets for leaks & wear, and replace as needed. Always use safety clips & whip checks (safety cables) at Blast Hose connections.

4. Inspect Blasting Nozzle

Inspect the Blasting Nozzle for wear and proper bore diameter. Replace the Blasting Nozzle when the bore diameter has worn to 1/16" wider than its original diameter. Example: replace a #5 nozzle (5/16" bore) when the bore reaches 3/8"

5. Inspect Air Hose, Couplings & Gaskets

Inspect Air Hose for leaks, abrasion & soft spots, and replace as needed. Inspect couplings for damage, leaks & wear, and replace as needed. Inspect coupling gaskets for leaks & wear, and replace as needed. Always use safety clips & whip checks (safety cables) at Air Hose connections.

6. Inspect & Clean Blow-down Muffler

Remove the Blow-down muffler, turn it upside-down and tap on a hard surface to free trapped debris. If muffler is clogged and can't be cleaned out sufficiently, it must be replaced.

7. Inspect Blow-down Hose Assembly

Remove & inspect the Blow-down Hose assembly. If leaks or soft spots are found, it must be replaced.

8. Inspect Pop-Up & Pop-Up Gasket

Inspect the Pop-Up & Pop-Up Gasket for wear and replace as necessary.

9. Service Metering Valve

Disassemble, clean & inspect the Metering Valve for proper operation and worn components. Replace any worn components found. Lubricate APV & APVII valves with anti-seize before reassembling.

10. Service Auto Air Valve

Disassemble, clean & inspect for proper operation and worn components. Replace any worn components found. Lubricate with anti-seize before reassembling.

11. Service Combination Valve

Disassemble, clean & inspect for proper operation and worn components. Replace any worn components found. Lubricate with anti-seize before reassembling.

12. Service Control Valve(s)

Disassemble, clean & inspect for proper operation and worn components. Replace any worn components found. Lubricate with anti-seize before reassembling.

13. Replace Moisture Separator Filter Element (P/N: 888-2302-20798PB)

Disassemble and replace 50 micron filter element in the moisture separator yearly. NOTE: Filter replacement may be required more often if the compressed air supply is not providing clean air.



☠ TROUBLESHOOTING ☠

Performance Related Issues



DANGER: Never attempt to open the Abrasive Blaster in any way while it is pressurized. Use extreme caution when performing troubleshooting procedures that involve pressurizing the Abrasive Blaster. Troubleshooting procedures are to be performed by experienced, qualified personnel only.

NO ABRASIVE FLOW WHEN BLASTING (AIR ONLY)

Possible Causes:

1. **The Abrasive Blaster is empty or has no Abrasive in it.**
2. **Abrasive cut-off function is engaged halting the flow of abrasive (if equipped).**
3. **The Metering Valve is closed or has not been adjusted properly.** If the Metering Valve is an APV or APVII and you are concerned the valve is not opening, the following test can be performed:
Close the Metering Valve fully by turning the knob clockwise until it stops, then turn the knob counter-clockwise about 9 full turns. Close the Choke Valve, then depress the control handle and check to see if the knob is hard to turn or if it will not turn at all. If the knob is hard to turn or will not turn at all then the Metering Valve is opening properly. Lastly, release the control handle and open the Choke Valve.
4. **There is an obstruction in the Metering Valve.** To clear the obstruction for both APV series and MPV series Metering Valves, perform the following procedure:

Turn the knob on the Metering Valve clockwise until it stops and then turn the knob counter-clockwise 9 full turns to open it completely. Depress the control handle and have a second qualified person close the choke valve for 2 seconds, and then open it again immediately. This will push minor obstructions such as a small amount of wet abrasive, a piece of paper from a bag, or bridged paint chips through the Metering Valve and out the Nozzle. Readjust the Metering Valve back to the desired setting for blasting, and check to see if the obstruction has been cleared.

If there is still an obstruction then you must depressurize the Abrasive Blaster, remove the pusher line, and remove the Metering Valve to check for a steady stream of abrasive. If abrasive flows, wait until the Abrasive Blaster is empty before reinstalling the Metering Valve.

If you have determined there is a large obstruction, then the obstruction must be removed from inside the Pressure Vessel. To do this, make sure the Abrasive Blaster is depressurized and remove the Handway Assembly. Scoop or vacuum out all the abrasive from inside the pressure vessel and remove the obstruction. Reinstall the Handway Assembly and Metering Valve and tighten them securely, then Refill the Abrasive Blaster.

It is recommended that a screen be used to prevent foreign objects from entering the Abrasive Blaster and causing an obstruction.

5. **The Abrasive Blaster has wet abrasive in it.** The wet abrasive must be removed by depressurizing the Abrasive Blaster, removing the Handway Assembly, and scooping or vacuuming it out.

Dry abrasive must always be used. Clean, cool, dry air must be supplied to the Abrasive Blaster in order to prevent the abrasive from getting wet. For Abrasive Blasters being used outside, it is recommended that a lid be used to keep water from entering the Abrasive Blaster.

ABRASIVE STREAM IS TOO HEAVY OR THROBBING WHEN BLASTING

Possible Causes:

Note: SPR Systems may throb temporarily when starting up if abrasive has collected in blast hose from previous use. This is normal and requires no action to correct.

1. **Choke Valve is partially closed.** Never run the Abrasive Blaster with the Choke Valve in any other position except fully open or damage to the Abrasive Blaster will occur.
2. **The Metering Valve needs to be adjusted.**

LOW PRESSURE AT THE NOZZLE

Possible Causes:

1. **Air compressor is the wrong size (too small) or the load button has not been pushed or turned on.**
2. **Nozzle is worn out and the compressor cannot keep up with the increased demand.**
3. **Air supply hose to the blast machine is too small.**
4. **There is a hole in the blast hose.**
5. **Pop-up is not sealing properly.**
6. **Handway Assembly is leaking.**
7. **Dirty or clogged Auto Air Valve Vent (if equipped).**
8. **Diaphragm in Auto Air Valve is damaged, defective, or worn out (if equipped).** To test, put your thumb over the vent. If any air is coming out with the control handle depressed, the diaphragm must be replaced.
9. **Choke Valve is partially closed.** Never run the Abrasive Blaster with the Choke Valve in any other position except fully open or damage to the Abrasive Blaster will occur.
10. **Abrasive Metering Valve is open too far.**
11. **Obstruction in Nozzle.**
12. **Regulator needs adjustment (if equipped).**
13. **The Filter Element in the Moisture Separator is clogged and must be replaced.**

ABRASIVE BLASTER WILL NOT TURN ON OR IS SLOW TO TURN ON

Possible Causes:

1. **Air compressor is the wrong size (too small) or the load button has not been pushed or turned on.**
2. **Nozzle is worn out and the compressor cannot keep up with the increased demand.**
3. **Air supply hose to the blast machine is too small.**
4. **Control hoses and/or fittings are leaking.**
5. **The Filter Element in the Moisture Separator is clogged and must be replaced.**
6. **Obstruction in Nozzle.**
7. **Dirty or clogged Auto Air Valve Vent (if equipped).**
8. **The Pneumatic Control Handle is damaged, defective or worn out (if equipped).**
9. **The Electric Control Handle is damaged, defective or worn out (if equipped).**
10. **The Electric Control Coil(s) are defective (if equipped).**
11. **Power Source (battery or AC-DC converter) is not providing sufficient power to open electric control valves (if equipped).**
12. **The Electric Control Cord is damaged, defective or worn out (if equipped).**
13. **A Control Valve is stuck or in need of service due to lack of lubrication, or is damaged, defective or worn out (if equipped).**
14. **Diaphragm in Auto Air Valve is damaged, defective, or worn out (if equipped).** To test, put your thumb over the vent. If any air is coming out with the control handle depressed, the diaphragm must be replaced.



⚠️ TROUBLESHOOTING ⚠️

Operational Related Issues



DANGER: Never attempt to open the Abrasive Blaster in any way while it is pressurized. Use extreme caution when performing troubleshooting procedures that involve pressurizing the Abrasive Blaster. Troubleshooting procedures are to be performed by experienced, qualified personnel only.

BLAST MACHINE TURNS ON ACCIDENTALLY OR WITHOUT WARNING

Possible Causes:

1. The safety flap, lever or lock button on the Control Handle is damaged or missing.
2. The lower rod seal in the Combination Valve is damaged, defective, or worn out (if equipped). To test to see if this is the problem, first turn on the air supply to the pot making sure the Blast Hose is being held tight to control it if it starts blasting. Without squeezing the Control Handle, have someone who is not holding the Blast Hose remove the small side (1/8") of the Tinline Control Hose from the Combination Valve. There should not be any air coming out of the Combination Valve where the Tinline was just removed. If there is air, then depressurize the Abrasive Blaster and check the Combination Valve lower rod seal and lower rod guide "O"-ring to make sure they are not damaged, defective or worn out. Also check to see if the Combination Valve lower rod guide has been installed backwards.
3. The Pneumatic Control Handle is damaged, defective or worn out (if equipped).
4. A bleeder type control handle has been installed.



WARNING: Never use bleeder type Remote Control Handles such as Clemco® or A-BEC® style handles with Pirate-Brand® SPH/SPR as they may cause the Abrasive Blaster to start without warning or to not stop the Abrasive Blaster when released.

5. The Electric Control Handle is damaged, defective or worn out (if equipped).
6. The Electric Control Cord is damaged, defective or worn out (if equipped).
7. "O"-ring on the shaft of the Auto Air Valve is damaged, defective or worn out (if equipped).

BLAST MACHINE IS SLOW TO TURN OFF OR WILL NOT TURN OFF WHEN CONTROL HANDLE IS RELEASED

Possible Causes:

1. A bleeder type control handle has been installed.



WARNING: Never use bleeder type Remote Control Handles such as Clemco® or A-BEC® style handles with Pirate-Brand® SPH/SPR as they may cause the Abrasive Blaster to start without warning or to not stop the Abrasive Blaster when released.

2. The Pneumatic Control Handle is damaged, defective or worn out (if equipped).
3. The Electric Control Handle is damaged, defective or worn out (if equipped).
4. The Electric Control Cord is damaged, defective or worn out (if equipped).
5. The Control Valve is stuck or in need of service due to lack of lubrication, or is damaged, defective or worn out (if equipped)

6. The lower rod seal in the Combination Valve is damaged, defective, worn out, or has been installed backwards (if equipped).
7. The lower rod guide in the Combination Valve has been installed backwards (if equipped).
8. The lower rod guide "O"-ring in the Combination Valve is damaged, defective or missing (if equipped).

To test to see if items 6, 7 or 8 are the problem, first turn on the air supply to the pot making sure the Blast Hose is being held tight to control it if it starts blasting. Without squeezing the Control Handle, have someone who is not holding the Blast Hose remove the small side (1/8") of the Tinline Control Hose from the Combination Valve. There should not be any air coming out of the Combination Valve where the Tinline was just removed. If there is air, then depressurize the Abrasive Blaster and check the Combination Valve lower rod seal and lower rod guide "O"-ring to make sure they are not damaged, defective or worn out. Also check to see if the Combination Valve lower rod guide has been installed backwards.

9. The Combination Valve Plug Assembly is not seating properly because it is damaged, defective or worn out (if equipped).
10. The Combination Valve Spring is damaged or defective (if equipped).
11. Blow-down Muffler is clogged slowing the release of air.

ABRASIVE BLASTER AIR BLAST STOPS BUT ABRASIVE KEEPS FLOWING WHEN CONTROL HANDLE IS RELEASED (SYSTEMS WITH APV SERIES METERING VALVES ONLY)

Possible Causes:

1. The Urethane Seat (black) in the Metering Valve is damaged, defective or worn out.
2. The Urethane Sleeve (black) in the Metering Valve is damaged, defective, or worn out.
3. The Plunger (tungsten carbide) in the Metering Valve is damaged, defective, or worn out.
4. Foreign material is stuck between the Plunger and the Seat in the Metering Valve.
5. The Metering Valve Spring is damaged, defective, or worn out.

BLAST MACHINE ABRASIVE STOPS BUT AIR BLAST WILL NOT SHUT OFF WHEN CONTROL HANDLE IS RELEASED

Possible Causes:

1. Auto Air Valve Seat is damaged, defective, or worn out.
2. Auto Air Valve Disc is damaged, defective, or worn out.
3. "O"-ring on the Auto Air Valve Shaft is damaged, defective or worn out.
4. Auto Air Valve Spring is damaged, defective, or worn out.



☠ WARRANTY ☠

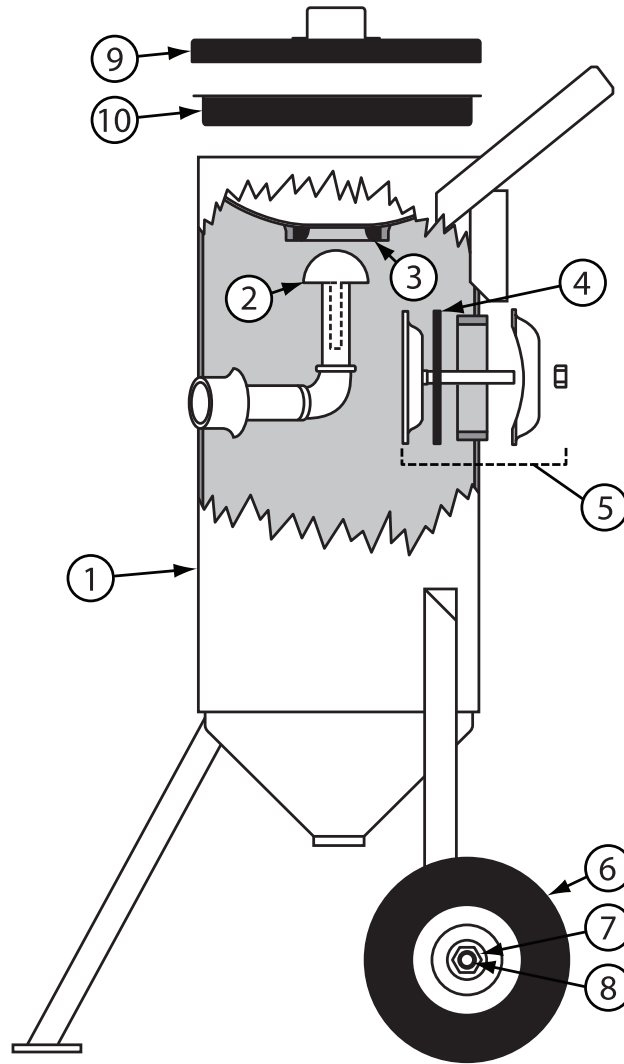
LIMITATION OF WARRANTIES AND REMEDIES.

MANUFACTURER WARRANTS THE PRODUCTS IT MANUFACTURES TO BE FREE OF DEFECTS IN MATERIAL AND WORKMANSHIP FOR A PERIOD OF NINETY (90) DAYS FROM THE DATE OF INVOICE. THIS WARRANTY IS EXTENDED ONLY TO THE BUYER WHO PURCHASES THE PRODUCTS DIRECTLY FROM THE MANUFACTURER OR ITS AUTHORIZED DISTRIBUTORS. THE PURCHASER'S EXCLUSIVE REMEDY ARISING FROM ITS PURCHASE OR USE OF THE PRODUCTS SHALL BE STRICTLY LIMITED TO THE REPAIR OR REPLACEMENT OF THE PRODUCTS, AT THE DISCRETION OF THE MANUFACTURER, AND ALL WARRANTY CLAIMS OR REQUESTS MUST BE MADE IN WRITING TO THE MANUFACTURER WITHIN THIRTY (30) DAYS AFTER FAILURE OF THE PRODUCT. ALL OBLIGATIONS OR LIABILITIES OF MANUFACTURER OR SELLER FOR DAMAGES ARISING OUT OF OR IN CONNECTION WITH THE PRODUCTS AND USE OR PERFORMANCE OF THE PRODUCTS, EXCEPT AS EXPRESSLY PROVIDED HEREIN, ARE FULLY DISCLAIMED AND EXCLUDED, AND NO SELLER OR DISTRIBUTOR HAS ANY AUTHORITY TO MAKE ANY WARRANTY OR ASSUME ANY LIABILITY ON BEHALF OF THE MANUFACTURER IN CONNECTION WITH THE SALE OF THE PRODUCTS EXCEPT AS STATED HEREIN.

AS A CONDITION OF THE PURCHASE, PURCHASER AGREES THAT MANUFACTURER AND SELLER SHALL NOT, UNDER ANY CIRCUMSTANCES, BE LIABLE FOR ANY COST OF FREIGHT, SHIPPING OR TRANSPORTATION, LABOR, SPECIAL CHARGES, NORMAL MAINTENANCE SERVICES, LOST OPERATING TIME, LOSS OF USE, LOST PROFITS, LOSS OF GOODWILL, CONSEQUENTIAL DAMAGES, PUNITIVE OR EXEMPLARY DAMAGES, OR OTHER DAMAGES OR LOSS. OTHER THAN AS DESCRIBED HEREIN, MANUFACTURER AND SELLER MAKE NO WARRANTY OF ANY KIND, EXPRESS OR IMPLIED, WITH RESPECT TO THE PRODUCTS, AND SPECIFICALLY DISCLAIM ANY WARRANTY OF MERCHANTABILITY, FITNESS FOR A PARTICULAR PURPOSE, OR OTHER WARRANTY. PURCHASER ASSUMES ALL RISK AND LIABILITY RESULTING FROM THE USE OF THE PRODUCTS. PURCHASER FURTHER AGREES AS A CONDITION OF THE SALE AND USE OF THE PRODUCTS, THAT ANY DAMAGES OR RISK OF LOSS OTHER THAN AS DESCRIBED HEREIN ABOVE, SHALL BE THE EXCLUSIVE RESPONSIBILITY OF THE PURCHASER AND NOT THE MANUFACTURER OR SELLER. MANUFACTURER AND SELLER SHALL NOT BE LIABLE FOR ANY DAMAGES INCURRED BY ANY PERSON AS A RESULT OF MISUSE, IMPROPER INSTALLATION, IMPROPER APPLICATION, IMPROPER OPERATION OF THE PRODUCTS, NORMAL WEAR AND TEAR, ALTERATIONS OR MODIFICATIONS MADE TO THE PRODUCTS, OR ACCIDENT. THE USE OF REPLACEMENT PARTS NOT PROVIDED OR AUTHORIZED BY THE MANUFACTURER VOIDS ALL WARRANTIES.



☠️ PRESSURE VESSEL PARTS LIST ☠️



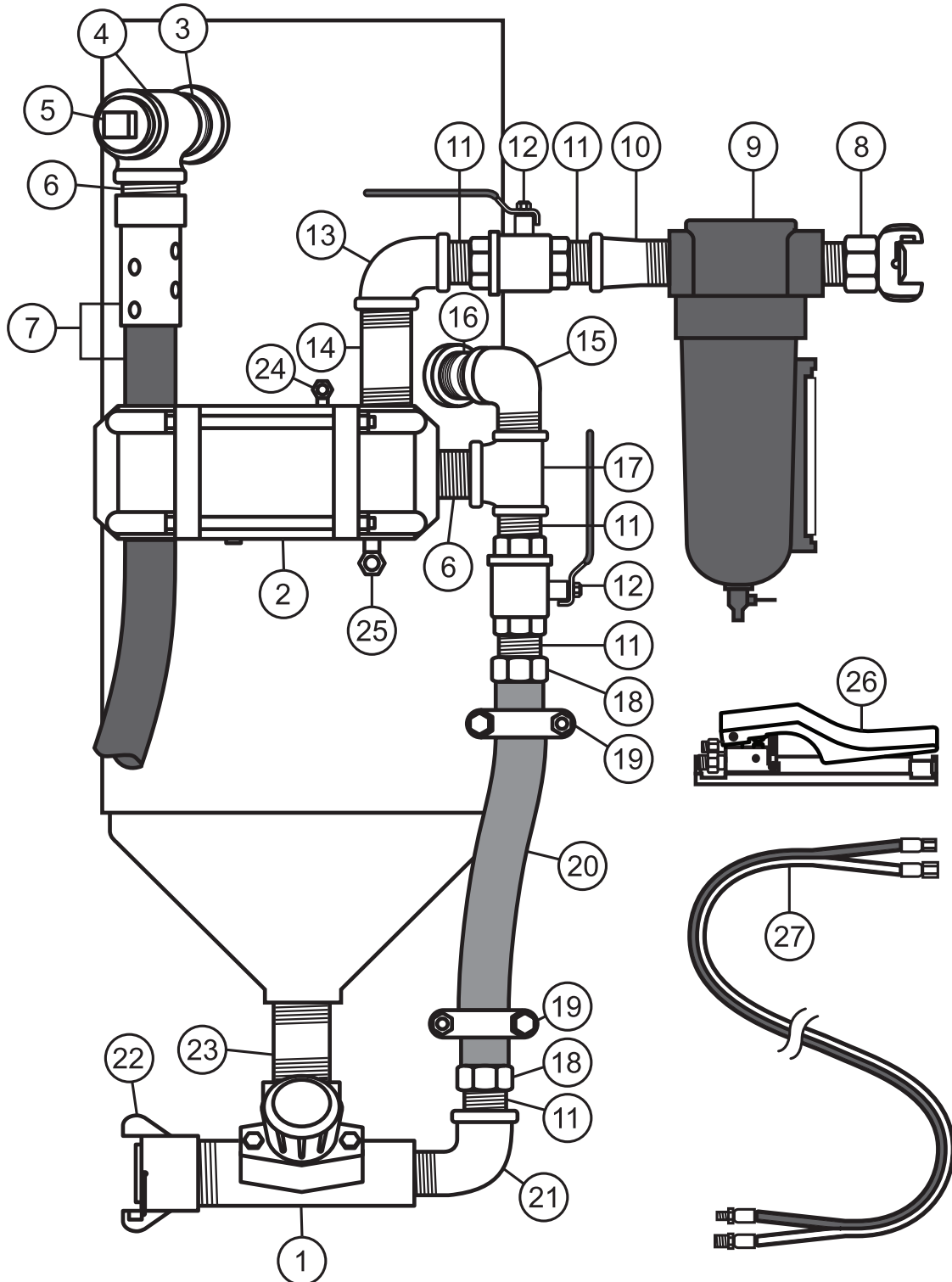
1.5 Portable Abrasive Blaster

1	888-1011-00102PB	VESSEL, PORTABLE, 1.5 CU. FT. (43 LITERS), 150 PSI (10.3 BAR), 90° CONE BOTTOM, 9" CLEARANCE, 12" DIA, INCLUDES HANDWAY ASSEMBLY, WHEELS, POP-UP & POP-UP GASKET
2	888-2100-000PB	POP-UP W/STEM URETHANE, SMALL
3	888-2100-001PB	POP-UP GASKET URETHANE, SMALL
4	888-7000-00006PB	GASKET, HANDWAY, 4" x 6"
5	888-7000-00011PB	HANDWAY CRAB ASSY 4" x 6"
6	888-7046-003PB	WHEEL & TIRE
7	888-7040-003PB	AXLE, 3/4" x 22"
8	888-7019-519PB	NUT, NYLOCK, 3/4" UNC
9	888-5010-010PB	LID, 12" DIA
10	888-5011-010PB	SCREEN, LOW PROFILE, 12" (1/4" MESH)



PIPE STRING PARTS LISTS

SPR SERIES - Pneumatic Controls





☠ PIPE STRING PARTS LISTS ☠

SPR SERIES - Pneumatic Controls

1" PIPE STRING		
1*	888-2125-106PB	VALVE, MANUAL PLUNGER, 1", W/URETHANE SLEEVE
2*	888-2223-000PB	VALVE, COMBINATION, COMPLETE
3	888-3029-10711PB	NIPPLE, TBE, GALV, 1-1/4" x 3"
4	888-3011-107PB	TEE, GALV, 1-1/4"
5	888-3014-107PB	PIPE PLUG, GALV, 1-1/4"
6	888-3029-10799PB	NIPPLE, TBE, GALV, 1-1/4" x CLOSED
7	888-4115-005PB	BLOWDOWN HOSE ASSY, 18" (1-6 BAG)
8	UM-100	AIR HOSE COUPLING, 2 LUG, 1" MALE NPT
9	888-2302-30650PB	AIR FILTER, 1" 50 MICRON MB/SG/MD
	505-161	REPAIR KIT, AIR FILTER, 3/4", 1", 1-1/4" & 1-1/2"
	888-2302-20798PB	FILTER ELEMENT 3/4", 1", 1-1/4" & 1-1/2", 50 MICRON
10	888-3008-106PB	ELBOW, STREET, 45°, GALV, 1"
11	888-3029-10699PB	NIPPLE, TBE, GALV, 1" x CLOSED
12	VB100	BALL VALVE, FULL PORT, 1" NPT
13	888-3010-10706PB	ELBOW, REDUCING, GALV, 1-1/4" x 1"
14	888-3029-10714PB	NIPPLE, TBE, GALV, 1-1/4" x 4"
15	888-3006-106PB	ELBOW, STREET, 90°, GALV, 1"
16	888-3028-10611PB	NIPPLE, TBE, SCHEDULE 80, GALV, 1" x 3"
17	888-3011-10607PB	TEE, GALV, 1" x 1" x 1-1/4"
18	888-4205-106PB	HOSE, INSERT SWIVEL, 1", INCLUDES GASKET
	888-4205-10699PB	HOSE, SWIVEL GASKET, 1"
19	888-4235-006PB	HOSE, CLAMP, DOUBLE BOLT, 1"
20	112-0100	HOSE, AIR, RED, NOMINAL 1" ID x 1-1/2" OD, WP 300 PSI, PER FOOT
21	888-3006-106PB	ELBOW, STREET, 90°, GALV, 1"
22	SB-2-IR	THD QUICK COUPLING, IRON, 1-1/2"
23	888-3028-10711PB	NIPPLE, TBE, SCHEDULE 80, GALV, 1-1/4" x 3"
24	888-4203-50000PB	SWIVEL 90°, 1/8"MNPT X 1/8"F
25	888-4203-50202PB	SWIVEL 90°, 1/4"MNPT x 1/4"F
26**	888-2263-001PB	HANDLE, CONTROL, PNEUMATIC #2
	888-2263-000PB	HANDLE, CONTROL, PNEUMATIC
27	200-055	HOSE, TWINLINE CONTROL, ASSEMBLY, YEL/YEL W/BLACK STRIP, NOMINAL 3/16" ID x 55'

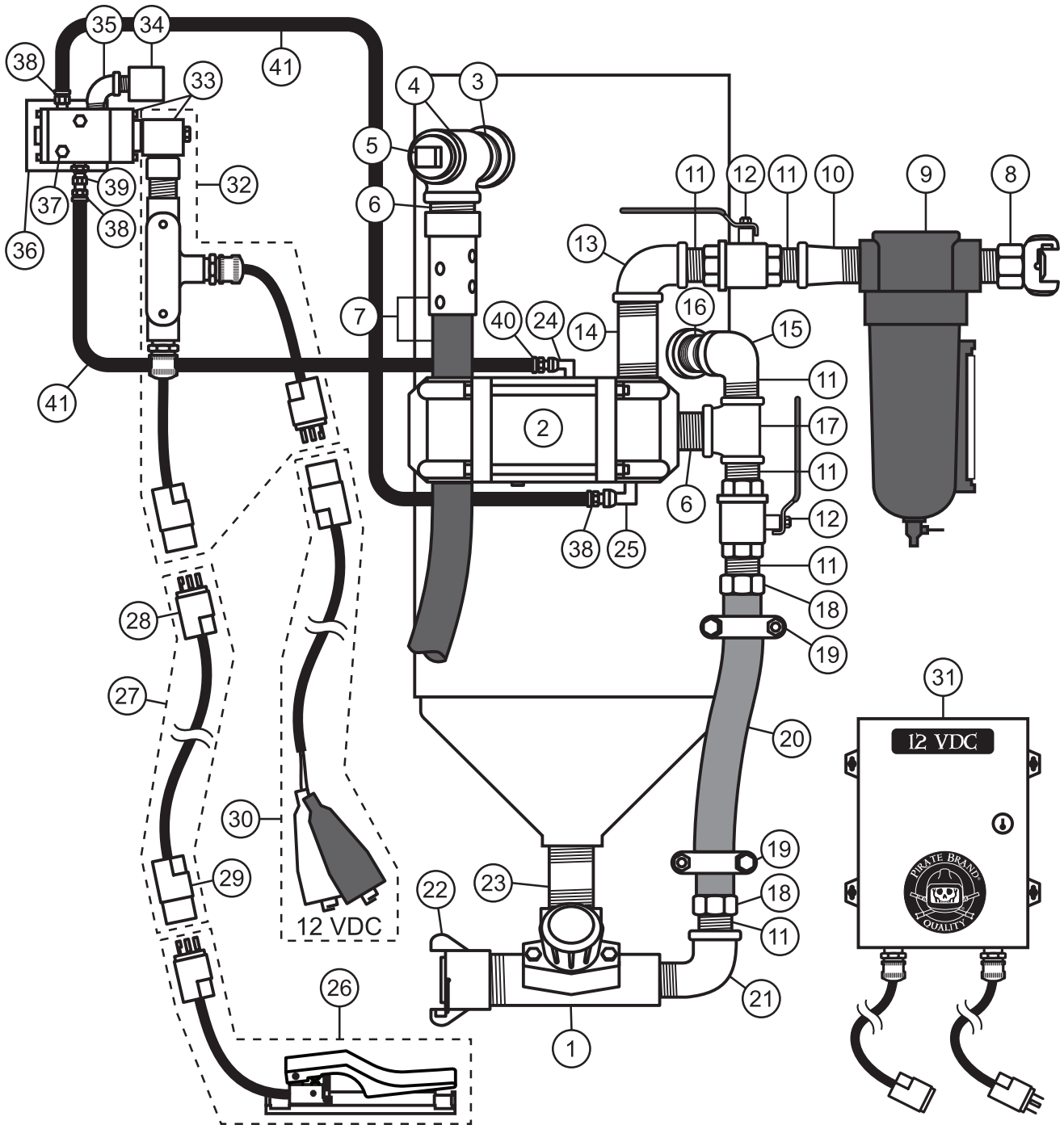
* See "Valve Parts Lists" Section for detailed parts list.

** See "Control Handle Parts Lists" Section for detailed parts list.



PIPE STRING PARTS LISTS

SPR SERIES - Electric Controls





PIPE STRING PARTS LISTS

SPR SERIES - Electric Controls

1" PIPE STRING		
1*	888-2125-106PB	VALVE, MANUAL PLUNGER, 1", W/URETHANE SLEEVE
2*	888-2223-000PB	VALVE, COMBINATION, COMPLETE
3	888-3029-10711PB	NIPPLE, TBE, GALV, 1-1/4" x 3"
4	888-3011-107PB	TEE, GALV, 1-1/4"
5	888-3014-107PB	PIPE PLUG, GALV, 1-1/4"
6	888-3029-10799PB	NIPPLE, TBE, GALV, 1-1/4" x CLOSED
7	888-4115-005PB	BLOWDOWN HOSE ASSY, 18" (1-6 BAG)
8	UM-100	AIR HOSE COUPLING, 2 LUG, 1" MALE NPT
9	888-2302-30650PB	AIR FILTER, 1" 50 MICRON MB/SG/MD
	505-161	REPAIR KIT, AIR FILTER, 3/4", 1", 1-1/4" & 1-1/2"
	888-2302-20798P	FILTER ELEMENT 3/4", 1", 1-1/4" & 1-1/2", 50 MICRON
10	888-3008-106PB	ELBOW, STREET, 45°, GALV, 1"
11	888-3029-10699PB	NIPPLE, TBE, GALV, 1" x CLOSED
12	VB100	BALL VALVE, FULL PORT, 1" NPT
13	888-3010-10706PB	ELBOW, REDUCING, GALV, 1-1/4" x 1"
14	888-3029-10714PB	NIPPLE, TBE, GALV, 1-1/4" x 4"
15	888-3006-106PB	ELBOW, STREET, 90°, GALV, 1"
16	888-3028-10611PB	NIPPLE, TBE, SCHEDULE 80, GALV, 1" x 3"
17	888-3011-10607PB	TEE, GALV, 1" x 1" x 1-1/4"
18	888-4205-106PB	HOSE, INSERT SWIVEL, 1", INCLUDES GASKET
	888-4205-10699PB	HOSE, SWIVEL GASKET, 1"
19	888-4235-006PB	HOSE, CLAMP, DOUBLE BOLT, 1"
20	112-0100	HOSE, AIR, RED, NOMINAL 1" ID x 1-1/2" OD, WP 300 PSI, PER FOOT
21	888-3006-106PB	ELBOW, STREET, 90°, GALV, 1"
22	SB-2-IR	THD QUICK COUPLING, IRON, 1-1/2"
23	888-3028-10711PB	NIPPLE, TBE, SCHEDULE 80, GALV, 1-1/4" x 3"
24	888-4203-50000PB	SWIVEL 90°, 1/8"MNPT x 1/8"F
25	888-4203-50202PB	SWIVEL 90°, 1/4"MNPT x 1/4"F
26**	888-2263-40101PB	HANDLE, CONTROL, ELECTRIC #2, W/PLUG
	888-2263-40001PB	HANDLE, CONTROL, ELECTRIC, W/PLUG
	888-2263-40102PB	HANDLE, CONTROL, ELECTRIC #2 W/SEALED CONNECTOR (REQUIRED WHEN USING STEEL ABRASIVES)
27	888-7073-055PB	EXTN CORD W/CONNECTOR, 55', 3 PRONG, 2 WIRE
28	888-7109-301PB	ELECTRIC CONNECTOR, MALE, TWIST-LOCK, 3 PRONG
29	888-7109-300PB	ELECTRIC CONNECTOR, FEMALE, TWIST-LOCK, 3 PRONG
30	888-7072-012PB	POWER CORD, 25' 12VDC, 3-LUG
31	PB-SMP3WP	POWER SUPPLY 120AC INPUT/12VDC @ 2.5 AMP OUTPUT
32	888-7112-000PB	JUNCTION TEE ASSEMBLY, SMALL & BULK BLASTERS 12VDC (1) OUTLET
33	888-2229-100PB	VALVE, CONTROL, ELECTRIC, 12VDC (NORMALLY CLOSED)
	888-2229-10099PB	VALVE, CONTROL, REPAIR KIT, ELECTRIC, HEAVY DUTY
34	888-2013-402PB	DUST ELIMINATOR, 1/4" MNPT
35	888-3006-102PB	ELBOW, STREET, 90°, GALV, 1/4"
	888-7033-002PB	BRACKET, CONTROL VALVE
36	110120300	BOLT, 1/4" x 1/2" (2 REQUIRED)
	552-752	LOCK WASHER, 1/4"
37	110120306	BOLT, 1/4" x 1-1/2" (2 REQUIRED)
	552-752	LOCK WASHER, 1/4"
38	888-4200-30202PB	HOSE, PUSH-ON INSERT 1/4" x 1/4" NPT
39	888-4201-50202PB	STRAIGHT SWIVEL, 1/4"MNPT x 1/4"F
40	888-4200-30200PB	HOSE, PUSH-ON INSERT 1/4" x 1/8" NPT
41	888-4101-002PB	HOSE, AIR, INSTA-GRIP, BLACK, NOMINAL 1/4" ID, 300 PSI, PER FOOT

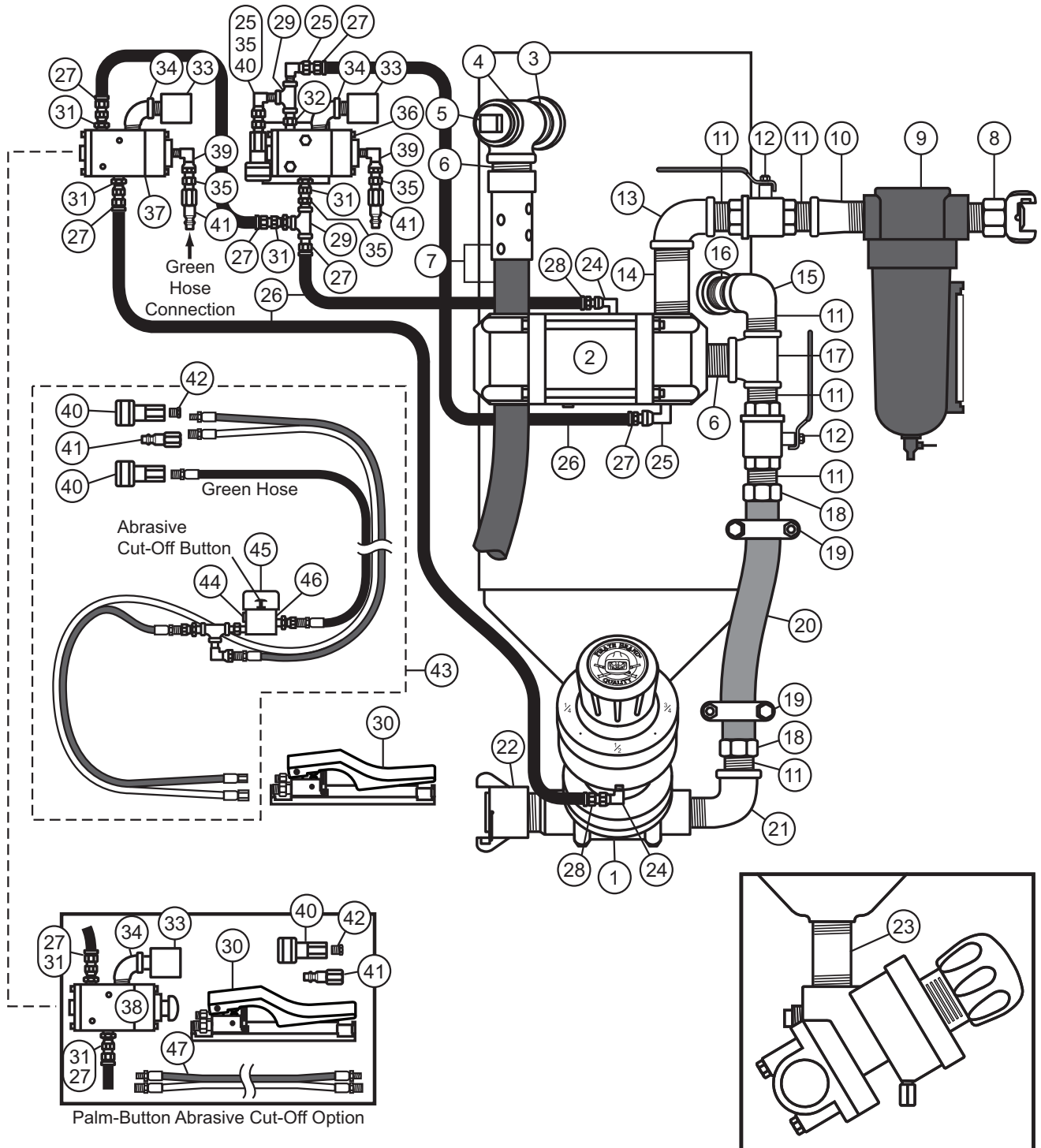
* See "Valve Parts Lists" Section for detailed parts list.

** See "Control Handle Parts Lists" Section for detailed parts list.



PIPE STRING PARTS LISTS

SPR SERIES - Pneumatic Abrasive Cut-Off





PIPE STRING PARTS LISTS

SPR SERIES - Pneumatic Abrasive Cut-Off

1" PIPE STRING		
1*	888-2148-006PB	APV II, 1" W/SOLID TUNGSTEN CARBIDE SLEEVE
	888-2149-006PB	APV, 1", W/TC SLEEVE
	888-2149-106PB	APV, 1", W/URETHANE SLEEVE
2*	888-2223-000PB	VALVE, COMBINATION, COMPLETE
3	888-3029-10711PB	NIPPLE, TBE, GALV, 1-1/4" x 3"
4	888-3011-107PB	TEE, GALV, 1-1/4"
5	888-3014-107PB	PIPE PLUG, GALV, 1-1/4"
6	888-3029-10799PB	NIPPLE, TBE, GALV, 1-1/4" x CLOSED
7	888-4115-005PB	BLOWDOWN HOSE ASSY, 18" (1-6 BAG)
8	UM-100	AIR HOSE COUPLING, 2 LUG, 1" MALE NPT
9	888-2302-30650PB	AIR FILTER, 1" 50 MICRON MB/SG/MD
	505-161	REPAIR KIT, AIR FILTER, 3/4", 1", 1-1/4" & 1-1/2"
	888-2302-20798PB	FILTER ELEMENT 3/4", 1", 1-1/4" & 1-1/2", 50 MICRON
10	888-3008-106PB	ELBOW, STREET, 45°, GALV, 1"
11	888-3029-10699PB	NIPPLE, TBE, GALV, 1" x CLOSED
12	VB100	BALL VALVE, FULL PORT, 1" NPT
13	888-3010-10706PB	ELBOW, REDUCING, GALV, 1-1/4" x 1"
14	888-3029-10714PB	NIPPLE, TBE, GALV, 1-1/4" x 4"
15	888-3006-106PB	ELBOW, STREET, 90°, GALV, 1"
16	888-3028-10611PB	NIPPLE, TBE, SCHEDULE 80, GALV, 1" x 3"
17	888-3011-10607PB	TEE, GALV, 1" x 1" x 1-1/4"
18	888-4205-106PB	HOSE, INSERT SWIVEL, 1", INCLUDES GASKET
	888-4205-10699PB	HOSE, SWIVEL GASKET, 1"
19	888-4235-006PB	HOSE, CLAMP, DOUBLE BOLT, 1"
20	112-0100	HOSE, AIR, RED, NOMINAL 1" ID x 1-1/2" OD, WP 300 PSI, PER FOOT
21	888-3006-106PB	ELBOW, STREET, 90°, GALV, 1"
22	SB-2-IR	THD QUICK COUPLING, IRON, 1-1/2"
23	888-3028-10711PB	NIPPLE, TBE, SCHEDULE 80, GALV, 1-1/4" x 3"
24	888-4203-50000PB	SWIVEL 90°, 1/8" MNPT x 1/8" F
25	888-4203-50202PB	SWIVEL 90°, 1/4" MNPT x 1/4" F
26	888-4101-002PB	HOSE, AIR, INSTA-GRIP, BLACK, NOMINAL 1/4" ID, 300PSI, PER FOOT
27	888-4200-30202PB	HOSE, PUSH-ON INSERT 1/4" x 1/4" NPT
28	888-4200-30200PB	HOSE, PUSH-ON INSERT 1/4" x 1/8" NPT
29	888-3011-102PB	TEE, GALV, 1/4"
30**	888-2263-001PB	HANDLE, CONTROL, PNEUMATIC #2
	888-2263-000PB	HANDLE, CONTROL, PNEUMATIC
31	888-4201-50202PB	STRAIGHT SWIVEL, 1/4" MNPT x 1/4" F
32	888-3031-31202PB	NIPPLE, HEX 1/4" MNPT x 1/4" MNPT
33	888-2013-402PB	DUST ELIMINATOR, 1/4" MNPT
34	888-3006-102PB	ELBOW, STREET, 90°, GALV, 1/4"
35	888-3031-30202PB	HEX NIPPLE 1/4" NPT x 1/4" W/BALL ST
36	888-2229-000PB	VALVE, CONTROL, PNEUMATIC (NORMALLY CLOSED)
	888-2229-00099PB	VALVE, CONTROL, PNEUMATIC, REPAIR KIT, HEAVY DUTY
37	888-2229-010PB	VALVE, CONTROL, PNEUMATIC (NORMALLY OPEN)
38	888-2229-301PB	VALVE, CONTROL, KNOB OPERATED 3W2P
	888-2229-30199PB	VALVE, CONTROL, KNOB OPERATED 3W2P, REPAIR KIT, HEAVY DUTY
39	888-4203-50002PB	SWIVEL 90°, 1/8" MNPT x 1/4" F
40	888-4224-30102PB	BRASS SOCKET, 1/4"
41	888-4224-30002PB	PLUG, 1/4"
42	888-3026-50200PB	BUSHING, PLATED 1/4" x 1/8" NPT
43	888-4100-50102PB	HOSE, TWINLINE ASSY 55' ACO W/ABRASIVE CUTOFF SWITCH
44	888-2014-300PB	VENT, 1/8"
45	888-2025-10001PB	TOGGLE SWITCH GUARD
46	888-2025-010PB	VALVE, ABRASIVE CUTOFF (PNEU)
47	200-055	HOSE, TWINLINE CONTROL, ASSEMBLY, YEL/YEL W/BLACK STRIP, NOMINAL 3/16" ID x 55'

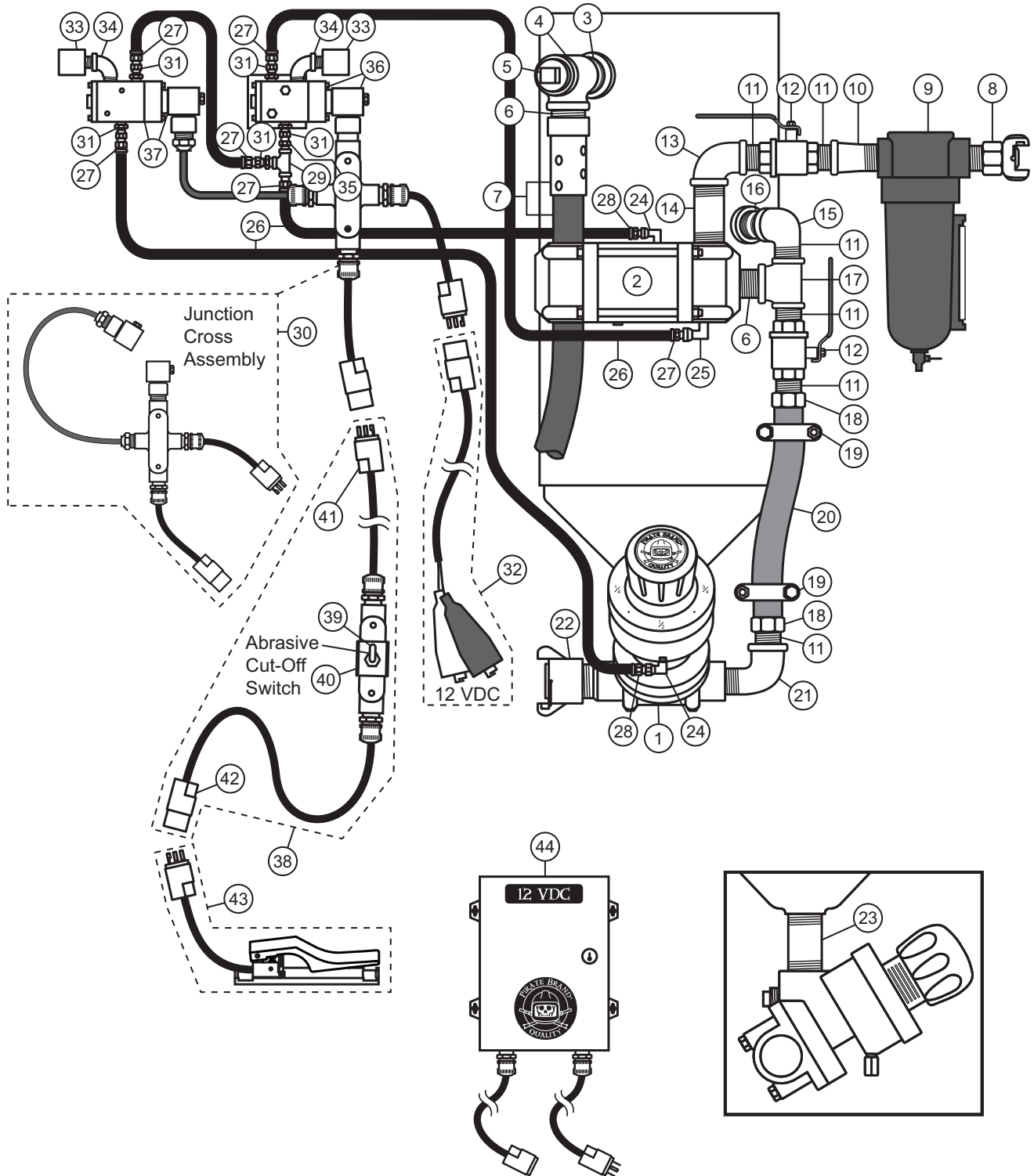
* See "Valve Parts Lists" Section for detailed parts list.

** See "Control Handle Parts Lists" Section for detailed parts list.



PIPE STRING PARTS LISTS

SPR SERIES - Electric Abrasive Cut-Off





PIPE STRING PARTS LISTS

SPR SERIES - Electric Abrasive Cut-Off

1" PIPE STRING		
1*	888-2148-006PB	APV II, 1" W/SOLID TUNGSTEN CARBIDE SLEEVE
	888-2149-006PB	APV, 1", W/TC SLEEVE
	888-2149-106PB	APV, 1", W/URETHANE SLEEVE
2*	888-2223-000PB	VALVE, COMBINATION, COMPLETE
3	888-3029-10711PB	NIPPLE, TBE, GALV, 1-1/4" x 3"
4	888-3011-107PB	TEE, GALV, 1-1/4"
5	888-3014-107PB	PIPE PLUG, GALV, 1-1/4"
6	888-3029-10799PB	NIPPLE, TBE, GALV, 1-1/4" x CLOSED
7	888-4115-005PB	BLOWDOWN HOSE ASSY, 18" (1-6 BAG)
8	UM-100	AIR HOSE COUPLING, 2 LUG, 1" MALE NPT
9	888-2302-30650PB	AIR FILTER, 1" 50 MICRON MB/SG/MD
	505-161	REPAIR KIT, AIR FILTER, 3/4", 1", 1-1/4" & 1-1/2"
	888-2302-20798PB	FILTER ELEMENT 3/4", 1", 1-1/4" & 1-1/2", 50 MICRON
10	888-3008-106PB	ELBOW, STREET, 45°, GALV, 1"
11	888-3029-10699PB	NIPPLE, TBE, GALV, 1" x CLOSED
12	VB100	BALL VALVE, FULL PORT, 1" NPT
13	888-3010-10706PB	ELBOW, REDUCING, GALV, 1-1/4" x 1"
14	888-3029-10714PB	NIPPLE, TBE, GALV, 1-1/4" x 4"
15	888-3006-106PB	ELBOW, STREET, 90°, GALV, 1"
16	888-3028-10611PB	NIPPLE, TBE, SCHEDULE 80, GALV, 1" x 3"
17	888-3011-10607PB	TEE, GALV, 1" x 1" x 1-1/4"
18	888-4205-106PB	HOSE, INSERT SWIVEL, 1", INCLUDES GASKET
	888-4205-10699PB	HOSE, SWIVEL GASKET, 1"
19	888-4235-006PB	HOSE, CLAMP, DOUBLE BOLT, 1"
20	112-0100	HOSE, AIR, RED, NOMINAL 1" ID x 1-1/2" OD, WP 300 PSI, PER FOOT
21	888-3006-106PB	ELBOW, STREET, 90°, GALV, 1"
22	SB-2-IR	THD QUICK COUPLING, IRON, 1-1/2"
23	888-3028-10711PB	NIPPLE, TBE, SCHEDULE 80, GALV, 1-1/4" x 3"
24	888-4203-50000PB	SWIVEL 90°, 1/8"MNPT x 1/8"F
25	888-4203-50202PB	SWIVEL 90°, 1/4"MNPT x 1/4"F
26	888-4101-002PB	HOSE, AIR, INSTA-GRIP, BLACK, NOMINAL 1/4" ID, 300PSI, PER FOOT
27	888-4200-30202PB	HOSE, PUSH-ON INSERT 1/4" x 1/4" NPT
28	888-4200-30200PB	HOSE, PUSH-ON INSERT 1/4" x 1/8" NPT
29	888-3011-102PB	TEE, GALV, 1/4"
30	888-7112-00002PB	JUNCTION CROSS ASSEMBLY, SMALL & BULK BLASTERS, 12VDC, ACO, (1) OUTLET
31	888-4201-50202PB	STRAIGHT SWIVEL, 1/4"MNPT x 1/4"F
32	888-7072-012PB	POWER CORD, 25' 12VDC, 3-LUG
33	888-2013-402PB	DUST ELIMINATOR, 1/4" MNPT
34	888-3006-102PB	ELBOW, STREET, 90°, GALV, 1/4"
35	888-3031-30202PB	HEX NIPPLE 1/4" NPT x 1/4" W/BALL ST
36	888-2229-100PB	VALVE, CONTROL, ELECTRIC, 12VDC (NORMALLY CLOSED)
	888-2229-10099PB	VALVE, CONTROL, REPAIR KIT, ELECTRIC, HEAVY DUTY
37	888-2229-600PB	VALVE, CONTROL, ELECTRIC, 12VDC (NORMALLY OPEN)
38	888-7075-055PB	CORD W/CONNECTORS & ABRASIVE CUTOFF SWITCH ASSEMBLY, 55', 3-PRONG, 3-WIRE
39	888-2025-10002PB	ABRA CUTOFF SWITCH (ELEC)
40	888-2025-10001PB	TOGGLE SWITCH GUARD
41	888-7109-301PB	ELECTRIC CONNECTOR, MALE, TWIST-LOCK, 3 PRONG
42	888-7109-300PB	ELECTRIC CONNECTOR, FEMALE, TWIST-LOCK, 3 PRONG
43**	888-2263-40101PB	HANDLE, CONTROL, ELECTRIC #2 W/PLUG
	888-2263-40001PB	HANDLE, CONTROL, ELECTRIC W/PLUG
	888-2263-40102PB	HANDLE, CONTROL, ELECTRIC #2 W/SEALED CONNECTOR (REQUIRED WHEN USING STEEL ABRASIVES)
44	PB-SMP3WP	POWER SUPPLY 120AC INPUT/12VDC @ 2.5 AMP OUTPUT, 4 OUTLET

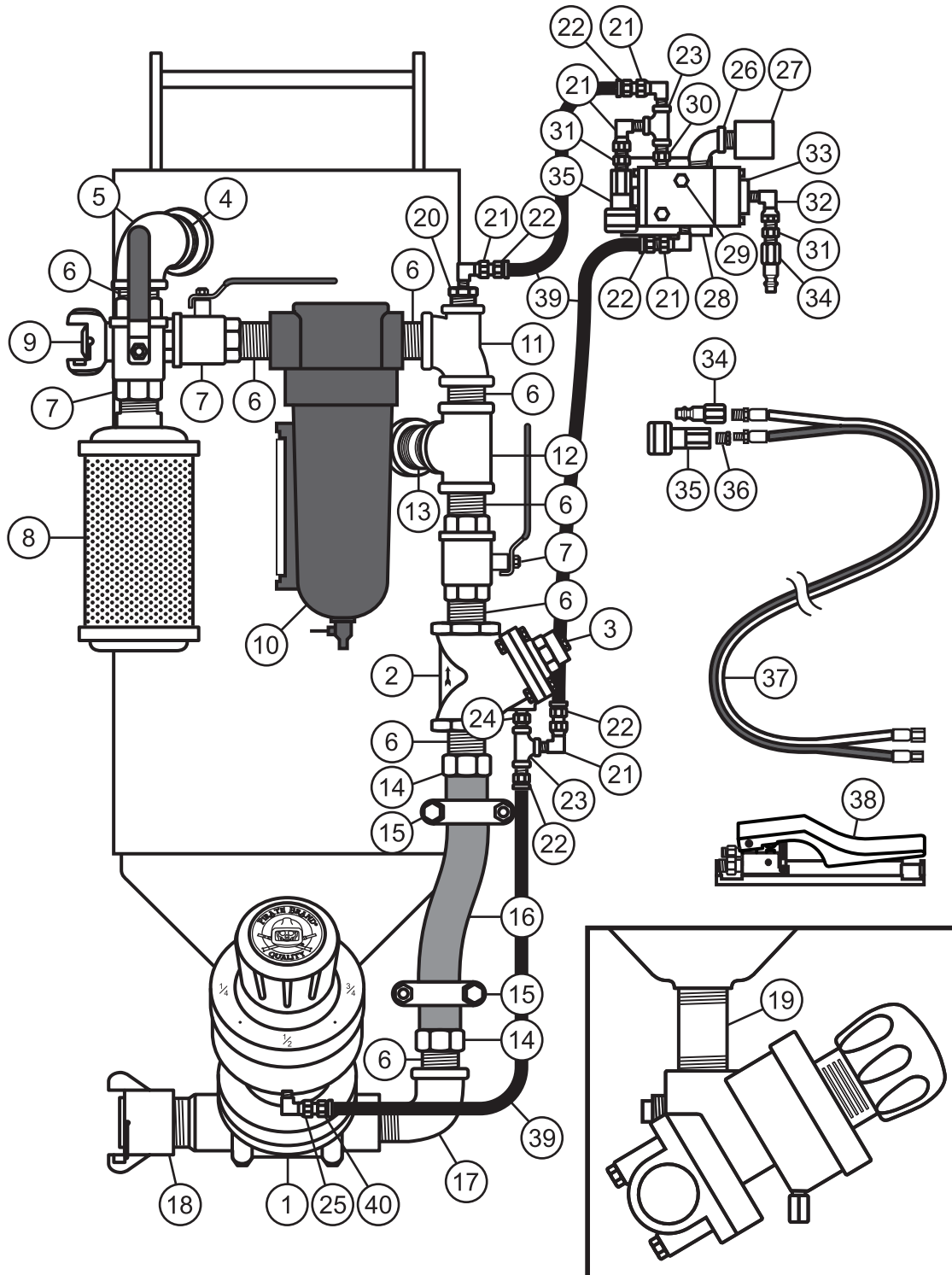
* See "Valve Parts Lists" Section for detailed parts list.

** See "Control Handle Parts Lists" Section for detailed parts list.



PIPE STRING PARTS LISTS

SPH SERIES - Pneumatic Controls





PIPE STRING PARTS LISTS

SPH SERIES - Pneumatic Controls

1" PIPE STRING		
1*	888-2148-006PB	APV II, 1" W/SOLID TUNGSTEN CARBIDE SLEEVE
	888-2149-006PB	APV, 1", W/TC SLEEVE
	888-2149-106PB	APV, 1", W/URETHANE SLEEVE
2*	888-2123-106PB	VALVE, AUTO AIR, 1", (NORMALLY CLOSED)
3	888-2014-300PB	VENT, 1/8"
4	888-3029-10714PB	NIPPLE, TBE, GALV, 1-1/4" x 4"
5	888-3010-10706PB	ELBOW, REDUCING, GALV, 1-1/4" x 1"
6	888-3029-10699PB	NIPPLE, TBE, GALV, 1" x CLOSED
7	VB100	BALL VALVE, FULL PORT, 1" NPT
8	888-2011-006PB	MUFFLER, BLOWDOWN, 1" MNPT
9	UM-100	AIR HOSE COUPLING, 2 LUG, 1" MALE NPT
10	888-2302-30650PB	AIR FILTER, 1" 50 MICRON MB/SG/MD
	505-161	REPAIR KIT, AIR FILTER, 3/4", 1", 1-1/4" & 1-1/2"
	888-2302-20798PB	FILTER ELEMENT 3/4", 1", 1-1/4" & 1-1/2", 50 MICRON
11	888-3013-10605PB	TEE, GALV, 90°, 1" x 3/4" x 1"
12	888-3011-106PB	TEE, GALV, 1"
13	888-3028-10611PB	NIPPLE, TBE, SCHEDULE 80, GALV, 1" x 3"
14	888-4205-106PB	HOSE, INSERT SWIVEL, 1", INCLUDES GASKET
	888-4205-10699PB	HOSE, SWIVEL GASKET, 1"
15	888-4235-006PB	HOSE, CLAMP, DOUBLE BOLT, 1"
16	112-0100	HOSE, AIR, RED, NOMINAL 1" ID x 1-1/2" OD, WP 300 PSI, PER FOOT
17	888-3006-106PB	ELBOW, STREET, 90°, GALV, 1"
18	SB-2-IR	THD QUICK COUPLING, IRON, 1-1/2"
19	888-3028-10711PB	NIPPLE, TBE, SCHEDULE 80, GALV, 1-1/4" x 3"
20	888-3026-10502PB	BUSHING, GALV, 3/4" x 1/4"
21	888-4203-50202PB	SWIVEL 90°, 1/4" MNPT x 1/4" F
22	888-4200-30202PB	HOSE, PUSH-ON INSERT 1/4" x 1/4" NPT
23	888-3011-102PB	TEE, GALV, 1/4"
24	888-3031-31200PB	NIPPLE, HEX 1/4" MNPT x 1/8" MNPT
25	888-4203-50000PB	SWIVEL 90°, 1/8" MNPT X 1/8" F
26	888-3006-102PB	ELBOW, STREET, 90°, GALV, 1/4"
27	888-2013-402PB	DUST ELIMINATOR, 1/4" MNPT
28	888-7033-002PB	BRACKET, CONTROL VALVE
	110120300	BOLT, 1/4" x 1/2" (2 REQUIRED)
	552-752	LOCK WASHER, 1/4"
29	110120306	BOLT, 1/4" x 1-1/2" (2 REQUIRED)
	552-752	LOCK WASHER, 1/4"
30	888-3031-31202PB	NIPPLE, HEX 1/4" MNPT x 1/4" MNPT
31	888-3031-30202PB	HEX NIPPLE 1/4" NPT x 1/4" W/BALL ST
32	888-4203-50002PB	SWIVEL 90°, 1/8" MNPT x 1/4" F
33	888-2229-000PB	VALVE, CONTROL, PNEUMATIC (NORMALLY CLOSED)
	888-2229-00099PB	VALVE, CONTROL, PNEUMATIC, REPAIR KIT, HEAVY DUTY
34	888-4224-30002PB	PLUG, 1/4"
35	888-4224-30102PB	BRASS SOCKET, 1/4"
36	888-3026-50200PB	BUSHING, PLATED 1/4" x 1/8" NPT
37	200-055	HOSE, TWINLINE CONTROL, ASSEMBLY, YEL/YEL W/BLACK STRIP, NOMINAL 3/16" ID x 55'
38**	888-2263-001PB	HANDLE, CONTROL, PNEUMATIC #2
	888-2263-000PB	HANDLE, CONTROL, PNEUMATIC
39	888-4101-002PB	HOSE, AIR, INSTA-GRIP, BLACK, NOMINAL 1/4" ID, 300 PSI, PER FOOT
40	888-4200-30200PB	HOSE, PUSH-ON INSERT 1/4" x 1/8" NPT

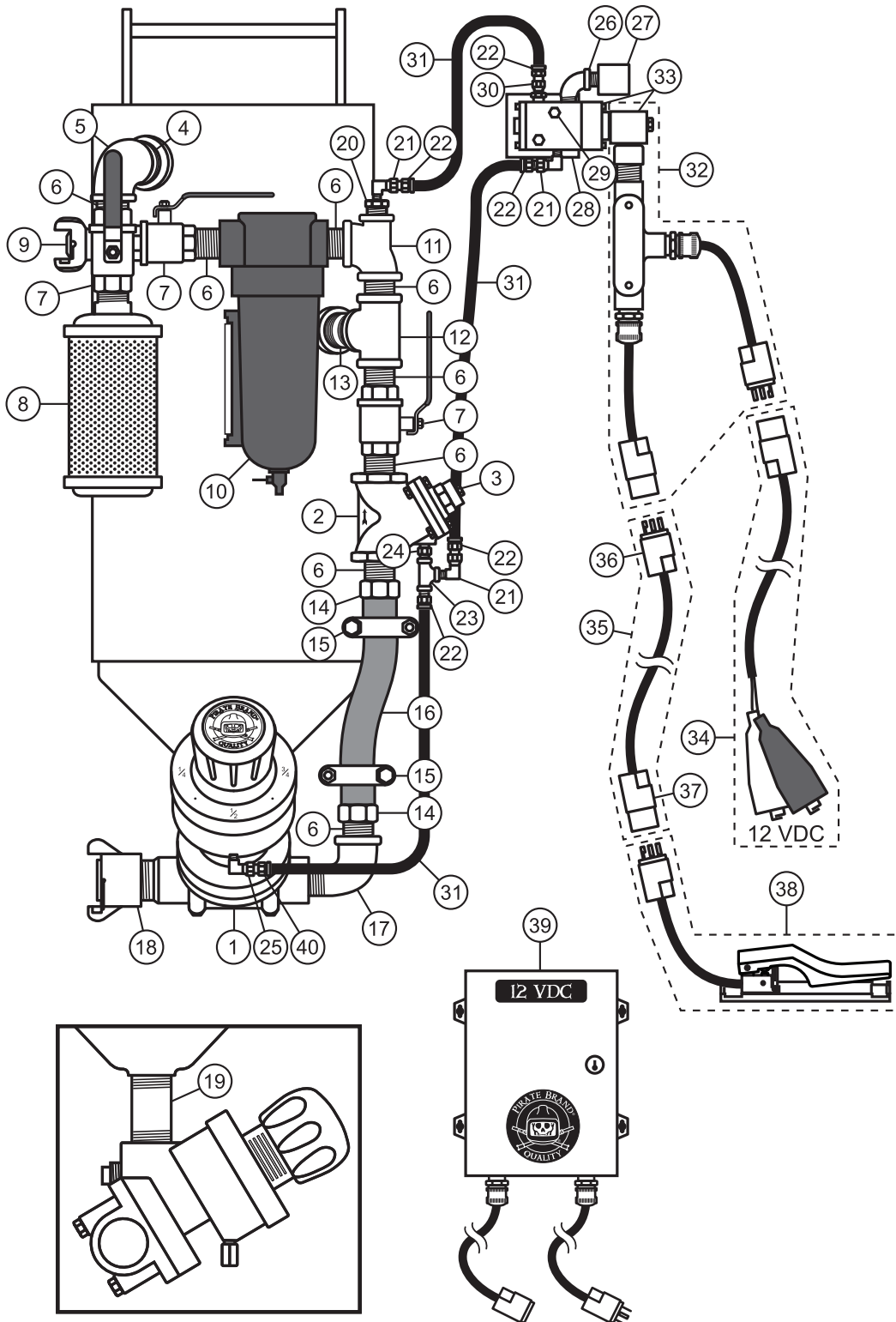
* See "Valve Parts Lists" Section for detailed parts list.

** See "Control Handle Parts Lists" Section for detailed parts list.



PIPE STRING PARTS LISTS

SPH SERIES - Electric Controls





PIPE STRING PARTS LISTS

SPH SERIES - Electric Controls

1" PIPE STRING		
1*	888-2148-006PB	APV II, 1" W/SOLID TUNGSTEN CARBIDE SLEEVE
	888-2149-006PB	APV, 1", W/TC SLEEVE
	888-2149-106PB	APV, 1", W/URETHANE SLEEVE
2*	888-2123-106PB	VALVE, AUTO AIR, 1", (NORMALLY CLOSED)
3	888-2014-300PB	VENT, 1/8"
4	888-3029-10714PB	NIPPLE, TBE, GALV, 1-1/4" x 4"
5	888-3010-10706PB	ELBOW, REDUCING, GALV, 1-1/4" x 1"
6	888-3029-10699PB	NIPPLE, TBE, GALV, 1" x CLOSED
7	VB100	BALL VALVE, FULL PORT, 1" NPT
8	888-2011-006PB	MUFFLER, BLOWDOWN, 1" MNPT
9	UM-100	AIR HOSE COUPLING, 2 LUG, 1" MALE NPT
10	888-2302-30650PB	AIR FILTER, 1" 50 MICRON MB/SG/MD
	505-161	REPAIR KIT, AIR FILTER, 3/4", 1", 1-1/4" & 1-1/2"
	888-2302-20798PB	FILTER ELEMENT 3/4", 1", 1-1/4" & 1-1/2", 50 MICRON
11	888-3013-10605PB	TEE, GALV, 90°, 1" x 3/4" x 1"
12	888-3011-106PB	TEE, GALV, 1"
13	888-3028-10611PB	NIPPLE, TBE, SCHEDULE 80, GALV, 1" x 3"
14	888-4205-106PB	HOSE, INSERT SWIVEL, 1", INCLUDES GASKET
	888-4205-10699PB	HOSE, SWIVEL GASKET, 1"
15	888-4235-006PB	HOSE, CLAMP, DOUBLE BOLT, 1"
16	112-0100	HOSE, AIR, RED, NOMINAL 1" ID x 1-1/2" OD, WP 300 PSI, PER FOOT
17	888-3006-106PB	ELBOW, STREET, 90°, GALV, 1"
18	SB-2-IR	THD QUICK COUPLING, IRON, 1-1/2"
19	888-3028-10711PB	NIPPLE, TBE, SCHEDULE 80, GALV, 1-1/4" x 3"
20	888-3026-10502PB	BUSHING, GALV, 3/4" x 1/4"
21	888-4203-50202PB	SWIVEL 90°, 1/4"MNPT x 1/4"F
22	888-4200-30202PB	HOSE, PUSH-ON INSERT 1/4" x 1/4" NPT
23	888-3011-102PB	TEE, GALV, 1/4"
24	888-3031-31200PB	NIPPLE, HEX 1/4"MNPT x 1/8" MNPT
25	888-4203-50000PB	SWIVEL 90°, 1/8"MNPT X 1/8"F
26	888-3006-102PB	ELBOW, STREET, 90°, GALV, 1/4"
27	888-2013-402PB	DUST ELIMINATOR, 1/4" MNPT
28	888-7033-002PB	BRACKET, CONTROL VALVE
	110120300	BOLT, 1/4" x 1/2" (2 REQUIRED)
	552-752	LOCK WASHER, 1/4"
29	110120306	BOLT, 1/4" x 1-1/2" (2 REQUIRED)
	552-752	LOCK WASHER, 1/4"
30	888-4201-50202PB	STRAIGHT SWIVEL, 1/4"MNPT x 1/4"F
31	888-4101-002PB	HOSE, AIR, INSTA-GRIP, BLACK, NOMINAL 1/4" ID, 300PSI, PER FOOT
32	888-7112-000PB	JUNCTION TEE ASSEMBLY, SMALL & BULK BLASTERS 12VDC (1) OUTLET
33	888-2229-100PB	VALVE, CONTROL, ELECTRIC, 12VDC (NORMALLY CLOSED)
	888-2229-10099PB	VALVE, CONTROL, REPAIR KIT, ELECTRIC, HEAVY DUTY
34	888-7072-012PB	POWER CORD, 25' 12VDC, 3-LUG
35	888-7073-055PB	EXTN CORD W/CONNECTOR, 55', 3 PRONG, 2 WIRE
36	888-7109-301PB	ELECTRIC CONNECTOR, MALE, TWIST-LOCK, 3 PRONG
37	888-7109-300PB	ELECTRIC CONNECTOR, FEMALE, TWIST-LOCK, 3 PRONG
38**	888-2263-40101PB	HANDLE, CONTROL, ELECTRIC #2, W/PLUG
	888-2263-40001PB	HANDLE, CONTROL, ELECTRIC, W/PLUG
	888-2263-40102PB	HANDLE, CONTROL, ELECTRIC #2 W/SEALED CONNECTOR (REQUIRED WHEN USING STEEL ABRASIVES)
39	PB-SMP3WP	POWER SUPPLY 120AC INPUT/12VDC @ 2.5 AMP OUTPUT, 4 OUTLET
40	888-4200-30200PB	HOSE, PUSH-ON INSERT 1/4" x 1/8" NPT

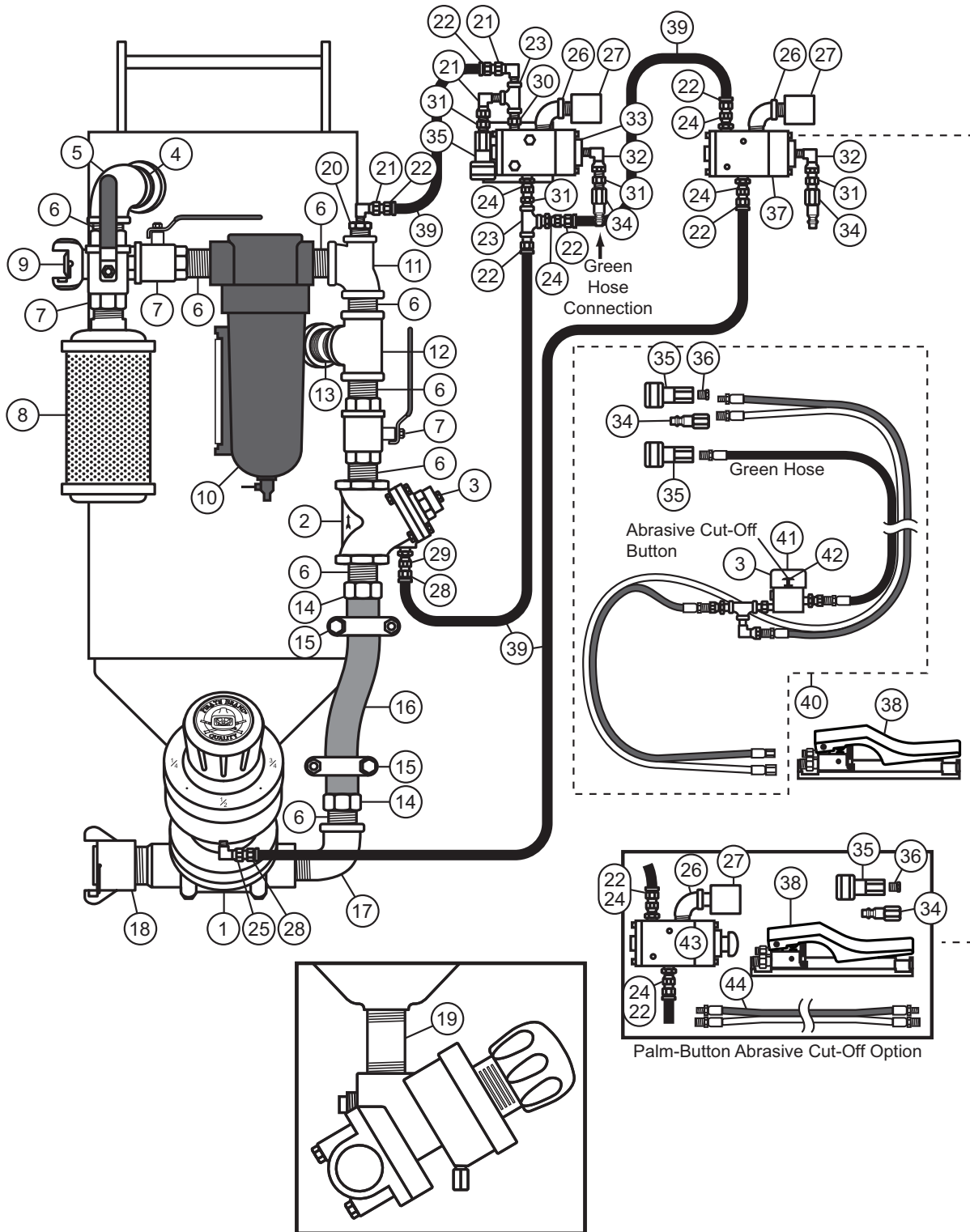
* See "Valve Parts Lists" Section for detailed parts list.

** See "Control Handle Parts Lists" Section for detailed parts list.



PIPE STRING PARTS LISTS

SPH SERIES - Pneumatic Abrasive Cut-Off





PIPE STRING PARTS LISTS

SPH SERIES - Pneumatic Abrasive Cut-Off

1" PIPE STRING		
1*	888-2148-006PB	APV II, 1" W/SOLID TUNGSTEN CARBIDE SLEEVE
	888-2149-006PB	APV, 1", W/TC SLEEVE
	888-2149-106PB	APV, 1", W/URETHANE SLEEVE
2*	888-2123-106PB	VALVE, AUTO AIR, 1", (NORMALLY CLOSED)
3	888-2014-300PB	VENT, 1/8"
4	888-3029-10714PB	NIPPLE, TBE, GALV, 1-1/4" x 4"
5	888-3010-10706PB	ELBOW, REDUCING, GALV, 1-1/4" x 1"
6	888-3029-10699PB	NIPPLE, TBE, GALV, 1" x CLOSED
7	VB100	BALL VALVE, FULL PORT, 1" NPT
8	888-2011-006PB	MUFFLER, BLOWDOWN, 1" MNPT
9	UM-100	AIR HOSE COUPLING, 2 LUG, 1" MALE NPT
10	888-2302-30650PB	AIR FILTER, 1" 50 MICRON MB/SG/MD
	505-161	REPAIR KIT, AIR FILTER, 3/4", 1", 1-1/4" & 1-1/2"
	888-2302-20798PB	FILTER ELEMENT 3/4", 1", 1-1/4" & 1-1/2", 50 MICRON
11	888-3013-10605PB	TEE, GALV, 90°, 1" x 3/4" x 1"
12	888-3011-106PB	TEE, GALV, 1"
13	888-3028-10611PB	NIPPLE, TBE, SCHEDULE 80, GALV, 1" x 3"
14	888-4205-106PB	HOSE, INSERT SWIVEL, 1", INCLUDES GASKET
	888-4205-10699PB	HOSE, SWIVEL GASKET, 1"
15	888-4235-006PB	HOSE, CLAMP, DOUBLE BOLT, 1"
16	112-0100	HOSE, AIR, RED, NOMINAL 1" ID x 1-1/2" OD, WP 300 PSI, PER FOOT
17	888-3006-106PB	ELBOW, STREET, 90°, GALV, 1"
18	SB-2-IR	THD QUICK COUPLING, IRON, 1-1/2"
19	888-3028-10711PB	NIPPLE, TBE, SCHEDULE 80, GALV, 1-1/4" x 3"
20	888-3026-10502PB	BUSHING, GALV, 3/4" x 1/4"
21	888-4203-50202PB	SWIVEL 90°, 1/4" MNPT x 1/4" F
22	888-4200-30202PB	HOSE, PUSH-ON INSERT 1/4" x 1/4" NPT
23	888-3011-102PB	TEE, GALV, 1/4"
24	888-4201-50202PB	STRAIGHT SWIVEL, 1/4" MNPT x 1/4" F
25	888-4203-50000PB	SWIVEL 90°, 1/8" MNPT X 1/8" F
26	888-3006-102PB	ELBOW, STREET, 90°, GALV, 1/4"
27	888-2013-402PB	DUST ELIMINATOR, 1/4" MNPT
28	888-4200-30200PB	HOSE, PUSH-ON INSERT 1/4" x 1/8" NPT
29	888-4201-50000PB	STRAIGHT SWIVEL, 1/8" MNPT X 1/8" F
30	888-3031-31202PB	NIPPLE, HEX 1/4" MNPT x 1/4" MNPT
31	888-3031-30202PB	HEX NIPPLE 1/4" NPT x 1/4" W/BALL ST
32	888-4203-50002PB	SWIVEL 90°, 1/8" MNPT x 1/4" F
33	888-2229-000PB	VALVE, CONTROL, PNEUMATIC (NORMALLY CLOSED)
	888-2229-00099PB	VALVE, CONTROL, PNEUMATIC, REPAIR KIT, HEAVY DUTY
34	888-4224-30002PB	PLUG, 1/4"
35	888-4224-30102PB	BRASS SOCKET, 1/4"
36	888-3026-50200PB	BUSHING, PLATED 1/4" x 1/8" NPT
37	888-2229-010PB	VALVE, CONTROL, PNEUMATIC (NORMALLY OPEN)
38**	888-2263-001PB	HANDLE, CONTROL, PNEUMATIC #2
	888-2263-000PB	HANDLE, CONTROL, PNEUMATIC
39	888-4101-002PB	HOSE, AIR, INSTA-GRIP, BLACK, NOMINAL 1/4" ID, 300 PSI, PER FOOT
40	888-4100-50102PB	HOSE, TWINLINE ASSY 55' ACO W/ABRASIVE CUTOFF SWITCH
41	888-2025-10001PB	TOGGLE SWITCH GUARD
42	888-2025-010PB	VALVE, ABRASIVE CUTOFF (PNEU)
43	888-2229-301PB	VALVE, CONTROL, KNOB OPERATED 3W2P
	888-2229-30199PB	VALVE, CONTROL, KNOB OPERATED 3W2P, REPAIR KIT, HEAVY DUTY
44	200-055	HOSE, TWINLINE CONTROL, ASSEMBLY, YEL/YEL W/BLACK STRIP, NOMINAL 3/16" ID x 5

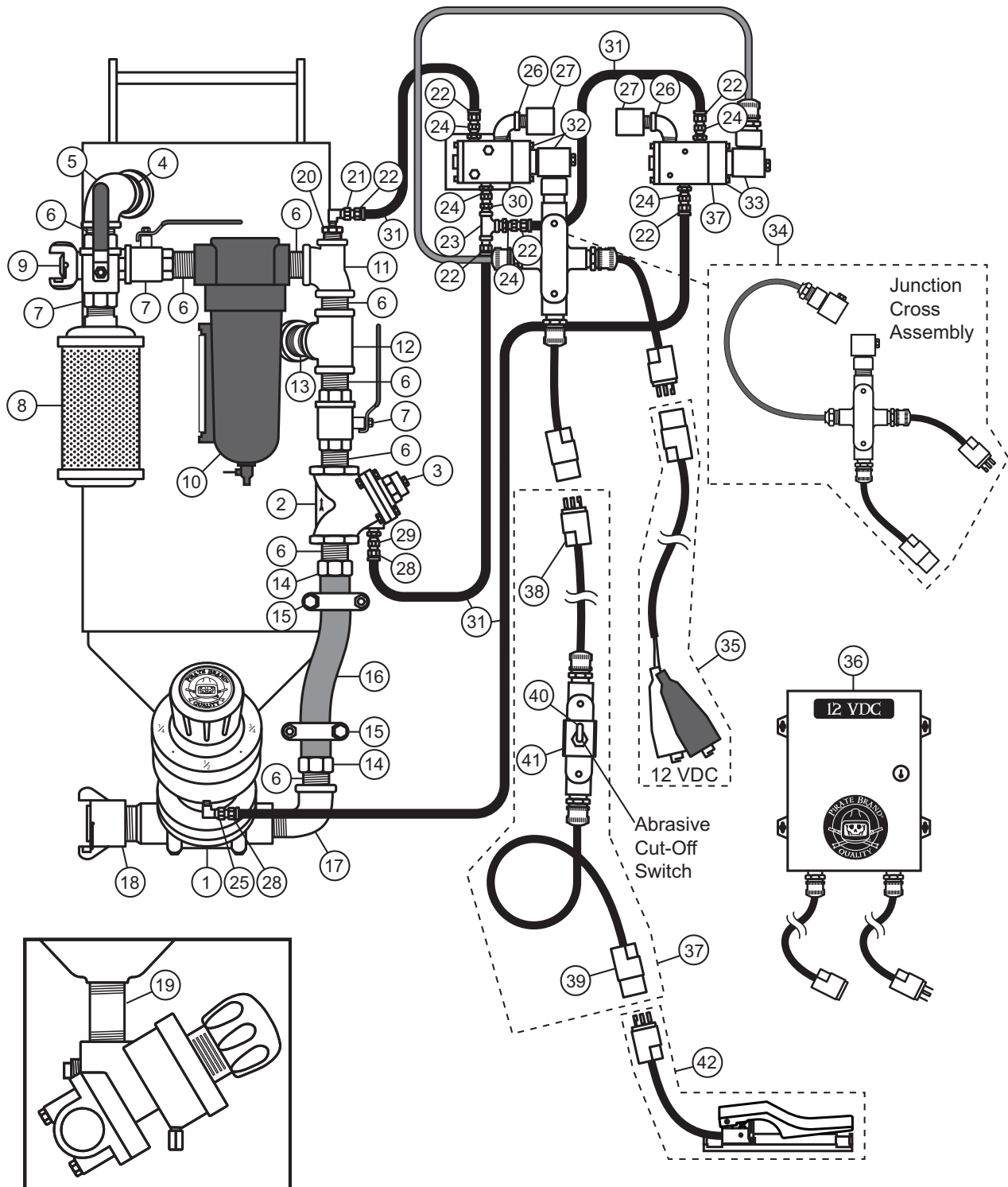
* See "Valve Parts Lists" Section for detailed parts list.

** See "Control Handle Parts Lists" Section for detailed parts list.



PIPE STRING PARTS LISTS

SPH SERIES - Electric Abrasive Cut-Off





PIPE STRING PARTS LISTS

SPH SERIES - Electric Abrasive Cut-Off

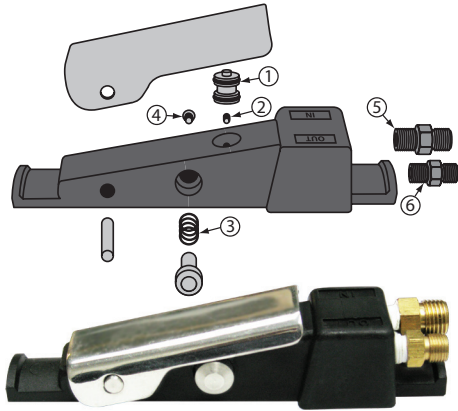
1" PIPE STRING		
1*	888-2148-006PB	APV II, 1" W/SOLID TUNGSTEN CARBIDE SLEEVE
	888-2149-006PB	APV, 1", W/TC SLEEVE
	888-2149-106PB	APV, 1", W/URETHANE SLEEVE
2*	888-2123-106PB	VALVE, AUTO AIR, 1", (NORMALLY CLOSED)
3	888-2014-300PB	VENT, 1/8"
4	888-3029-10714PB	NIPPLE, TBE, GALV, 1-1/4" x 4"
5	888-3010-10706PB	ELBOW, REDUCING, GALV, 1-1/4" x 1"
6	888-3029-10699PB	NIPPLE, TBE, GALV, 1" x CLOSED
7	VB100	BALL VALVE, FULL PORT, 1" NPT
8	888-2011-006PB	MUFFLER, BLOWDOWN, 1" MNPT
9	UM-100	AIR HOSE COUPLING, 2 LUG, 1" MALE NPT
10	888-2302-30650PB	AIR FILTER, 1" 50 MICRON MB/SG/MD
	505-161	REPAIR KIT, AIR FILTER, 3/4", 1", 1-1/4" & 1-1/2"
	888-2302-20798PB	FILTER ELEMENT 3/4", 1", 1-1/4" & 1-1/2", 50 MICRON
11	888-3013-10605PB	TEE, GALV, 90°, 1" x 3/4" x 1"
12	888-3011-106PB	TEE, GALV, 1"
13	888-3028-10611PB	NIPPLE, TBE, SCHEDULE 80, GALV, 1" x 3"
14	888-4205-106PB	HOSE, INSERT SWIVEL, 1", INCLUDES GASKET
	888-4205-10699PB	HOSE, SWIVEL GASKET, 1"
15	888-4235-006PB	HOSE, CLAMP, DOUBLE BOLT, 1"
16	112-0100	HOSE, AIR, RED, NOMINAL 1" ID x 1-1/2" OD, WP 300 PSI, PER FOOT
17	888-3006-106PB	ELBOW, STREET, 90°, GALV, 1"
18	SB-2-IR	THD QUICK COUPLING, IRON, 1-1/2"
19	888-3028-10711PB	NIPPLE, TBE, SCHEDULE 80, GALV, 1-1/4" x 3"
20	888-3026-10502PB	BUSHING, GALV, 3/4" x 1/4"
21	888-4203-50202PB	SWIVEL 90°, 1/4"MNPT x 1/4"F
22	888-4200-30202PB	HOSE, PUSH-ON INSERT 1/4" x 1/4" NPT
23	888-3011-102PB	TEE, GALV, 1/4"
24	888-4201-50202PB	STRAIGHT SWIVEL, 1/4"MNPT x 1/4"F
25	888-4203-50000PB	SWIVEL 90°, 1/8"MNPT X 1/8"F
26	888-3006-102PB	ELBOW, STREET, 90°, GALV, 1/4"
27	888-2013-402PB	DUST ELIMINATOR, 1/4" MNPT
28	888-4200-30200PB	HOSE, PUSH-ON INSERT 1/4" x 1/8" NPT
29	888-4201-50000PB	STRAIGHT SWIVEL, 1/8" MNPT X 1/8" F
30	888-3031-30202PB	HEX NIPPLE 1/4" NPT x 1/4" W/BALL ST
31	888-4101-002PB	HOSE, AIR, INSTA-GRIP, BLACK, NOMINAL 1/4" ID, 300 PSI, PER FOOT
32	888-2229-100PB	VALVE, CONTROL, ELECTRIC, 12VDC (NORMALLY CLOSED)
	888-2229-10099PB	VALVE, CONTROL, REPAIR KIT, ELECTRIC, HEAVY DUTY
33	888-2229-600PB	VALVE, CONTROL, ELECTRIC, 12VDC (NORMALLY OPEN)
34	888-7112-00002PB	JUNCTION CROSS ASSEMBLY, SMALL & BULK BLASTERS, 12VDC, ACO, (1) OUTLET
35	888-7072-012PB	POWER CORD, 25' 12VDC, 3-LUG
36	PB-SMP3WP	POWER SUPPLY 120AC INPUT/12VDC @ 2.5 AMP OUTPUT, 4 OUTLET
37	888-7075-055PB	CORD W/CONNECTORS & ABRASIVE CUTOFF SWITCH ASSEMBLY, 55', 3-PRONG, 3-WIRE
38	888-7109-301PB	ELECTRIC CONNECTOR, MALE, TWIST-LOCK, 3 PRONG
39	888-7109-300PB	ELECTRIC CONNECTOR, FEMALE, TWIST-LOCK, 3 PRONG
40	888-2025-10002PB	ABRA CUTOFF SWITCH (ELEC)
41	888-2025-10001PB	TOGGLE SWITCH GUARD
42**	888-2263-40101PB	HANDLE, CONTROL, ELECTRIC #2, W/PLUG
	888-2263-40001PB	HANDLE, CONTROL, ELECTRIC, W/PLUG
	888-2263-40102PB	HANDLE, CONTROL, ELECTRIC #2 W/SEALED CONNECTOR (REQUIRED WHEN USING STEEL ABRASIVES)

* See "Valve Parts Lists" Section for detailed parts list.

** See "Control Handle Parts Lists" Section for detailed parts list.

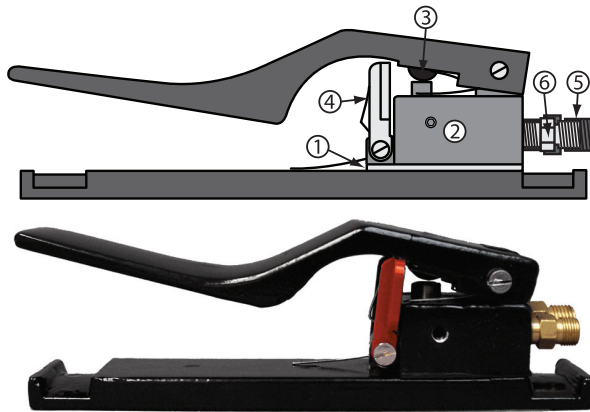


CONTROL HANDLE PARTS LISTS



PNEUMATIC REMOTE CONTROL HANDLE (NOT FOR USE WITH STEEL ABRASIVES)

	888-2263-000PB	HANDLE, CONTROL, PNEUMATIC
	888-2263-00099PB	HANDLE, CONTROL, PNEUMATIC, REPAIR KIT, INCLUDES # 1, 2, 3 & 4
5	888-3031-30202PB	HEX NIPPLE 1/4" NPT x 1/4" W/BALL ST
6	888-3031-30000PB	HEX NIPPLE 1/8" NPT x 1/8" W/BALL ST



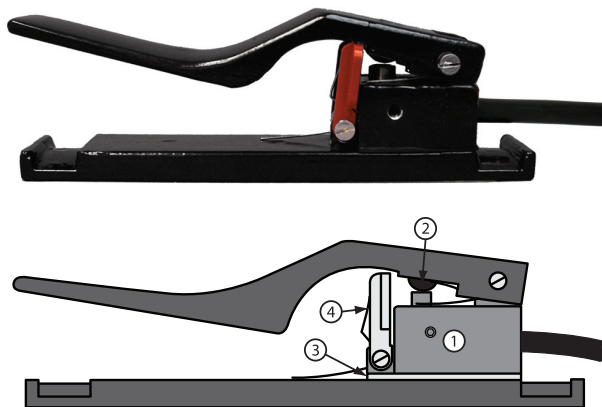
PNEUMATIC REMOTE CONTROL HANDLE #2

	888-2263-001PB	HANDLE, CONTROL, PNEUMATIC #2
	888-2263-00199PB	HANDLE, CONTROL, PNEUMATIC #2, REPAIR KIT, INCLUDES #1, 2 & 3
4	888-2263-00108PB	HANDLE, CONTROL, PNEUMATIC #2, SAFETY FLAP
5	888-3031-30202PB	HEX NIPPLE 1/4" NPT x 1/4" W/BALL ST
6	888-3031-30000PB	HEX NIPPLE 1/8" NPT x 1/8" W/BALL ST



ELECTRIC REMOTE CONTROL HANDLE (NOT FOR USE WITH STEEL ABRASIVES)

	888-2263-400PB	HANDLE, CONTROL, ELECTRIC
	888-2263-40001PB	HANDLE, CONTROL, ELECTRIC W/PLUG

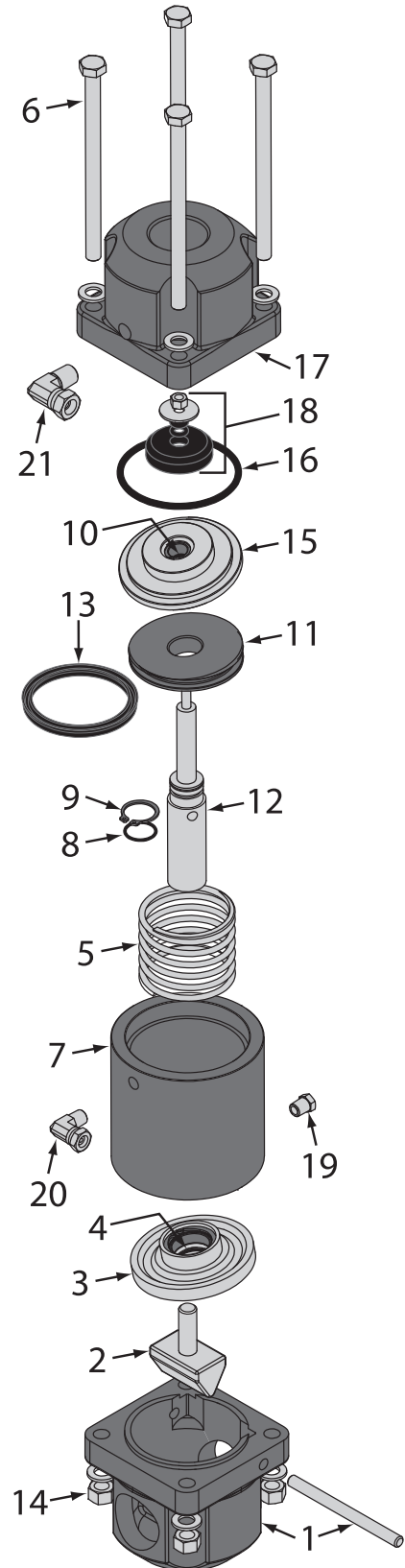
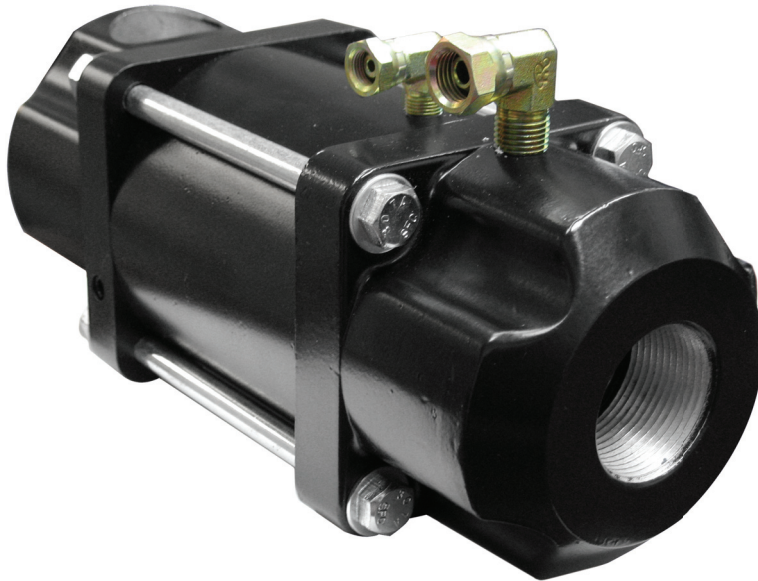


ELECTRIC REMOTE CONTROL HANDLE #2

	888-2263-401PB	HANDLE, CONTROL, ELECTRIC #2
	888-2263-40101PB	HANDLE, CONTROL, ELECTRIC #2 W/PLUG
	888-2263-40102PB	HANDLE, CONTROL, ELECTRIC #2 W/SEALED CONNECTOR (REQUIRED WHEN USING STEEL ABRASIVES)
	PB-31131	1/2" 3 PART SEALED CONTROL CORD CONNECTOR (REQUIRED WHEN USING STEEL ABRASIVES)
	888-2263-40199PB	HANDLE, CONTROL, ELECTRIC #2, REPAIR KIT, INCLUDES #1, 2 & 3
4	888-2263-00108PB	HANDLE, CONTROL, #2, SAFETY FLAP



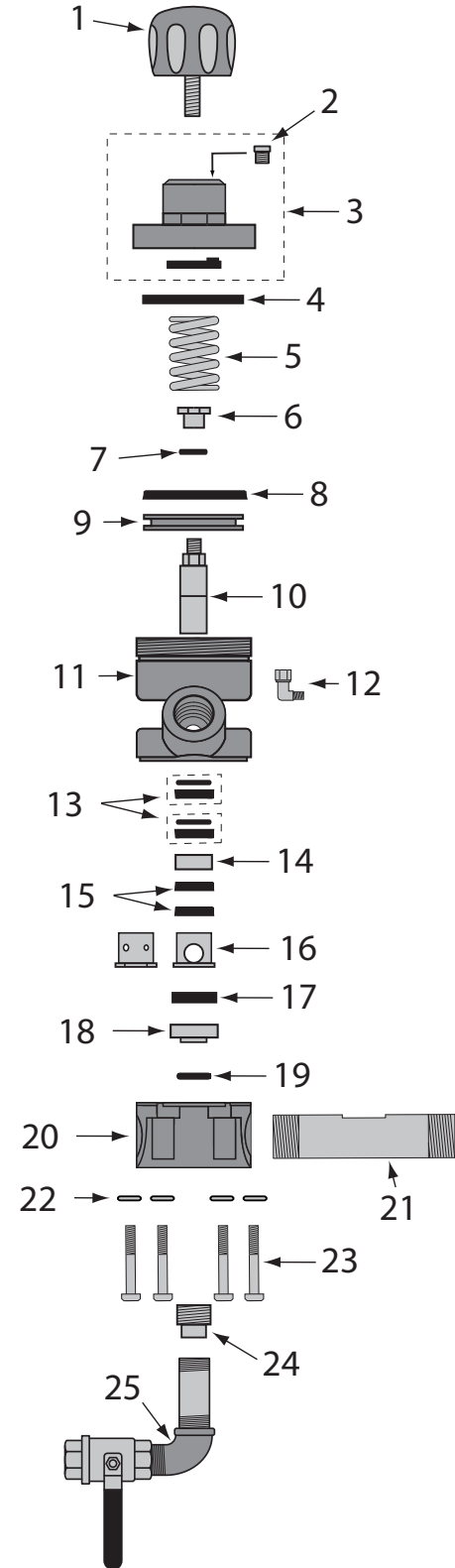
☠ VALVE PARTS LISTS ☠



Combination Valve		
	888-2223-000PB	VALVE, COMBINATION, COMPLETE
	888-2223-00099PB	VALVE, COMBINATION, REPAIR KIT, INCLUDES # 4, 8, 9, 10, 13, 16 & 18
1	888-2223-00001PB	VALVE, COMBINATION, CAP
2	888-2223-00002PB	VALVE, COMBINATION, PINCH RAM
3	888-2223-00003PB	VALVE, COMBINATION, UPPER ROD GUIDE, INCLUDES SEAL(#4) AND BUSHING
4	888-2223-00004PB	VALVE, COMBINATION, SEAL, UPPER ROD
5	888-2223-00005PB	VALVE, COMBINATION, SPRING
6	888-7010-50715PB	VALVE, COMBINATION, BOLT 3/8" x 6" W/WASHER
7	888-2223-00007PB	VALVE, COMBINATION, CYLINDER
8	888-2223-00008PB	VALVE, COMBINATION, O-RING, SHAFT
9	888-2223-00009PB	VALVE, COMBINATION, SNAP RING
10	888-2223-00010PB	VALVE, COMBINATION, SEAL, LOWER ROD
11	888-2223-00011PB	VALVE, COMBINATION, PISTON
12	888-2223-00012PB	VALVE, COMBINATION, SHAFT
13	888-2223-00013PB	VALVE, COMBINATION, SEAL, PISTON
14	888-7017-50701PB	VALVE, COMBINATION, NUT, 3/8"
15	888-2223-00015PB	VALVE, COMBINATION, LOWER ROD GUIDE, INCLUDES SEAL(#10) AND BUSHING
16	888-2223-00016PB	VALVE, COMBINATION, O-RING, LOWER ROD GUIDE
17	888-2223-00017PB	VALVE, COMBINATION, BASE
18	888-2223-00018PB	VALVE, COMBINATION, PLUG ASSEMBLY
19	888-2014-300PB	VENT, 1/8"
20	888-4203-50000PB	SWIVEL 90°, 1/8"MNPT X 1/8"F
21	888-4203-50202PB	SWIVEL 90°, 1/4"MNPT x 1/4"F



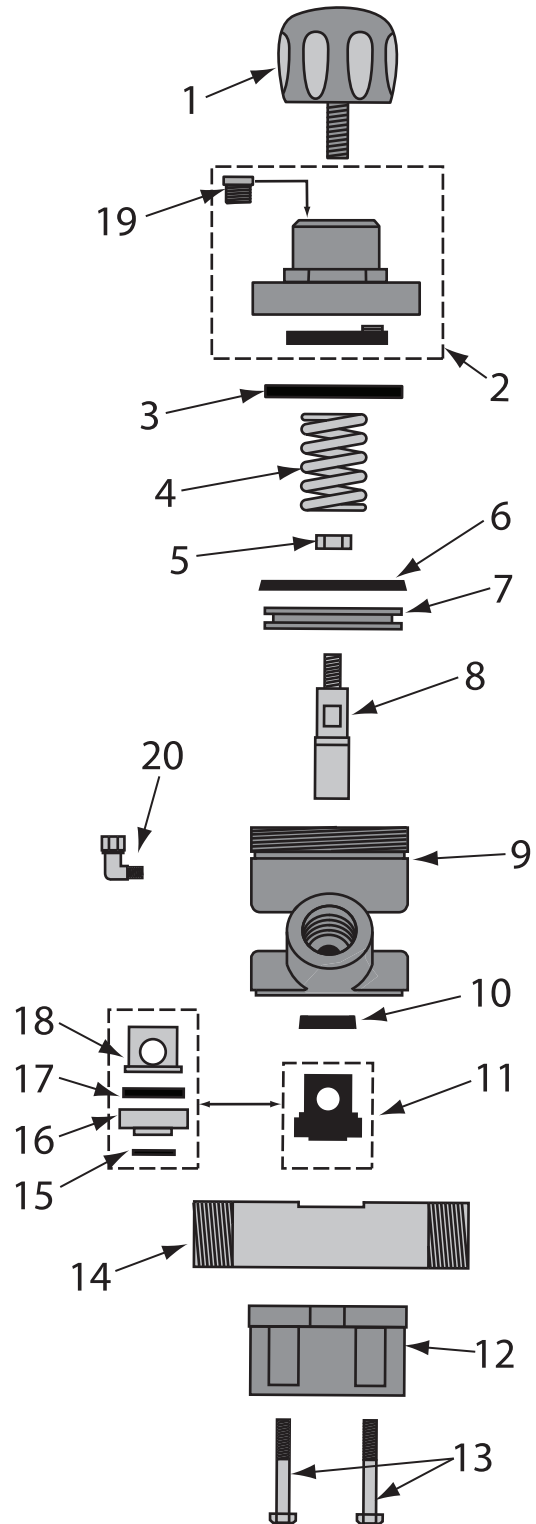
☠ VALVE PARTS LISTS ☠



APVII™ (Automatic Plunger Valve II)		
	888-2148-006PB	APV II, 1" W/SOLID TUNGSTEN CARBIDE SLEEVE
	888-2148-007PB	APV II, 1-1/4" W/SOLID TUNGSTEN CARBIDE SLEEVE
	888-2148-008PB	APV II, 1-1/2" W/SOLID TUNGSTEN CARBIDE SLEEVE
	888-2148-00099PB	APV II, REPAIR KIT W/SOLID TUNGSTEN CARBIDE SLEEVE, INCLUDES (1) # 8 & 10, (2) # 13, (2) # 15, (1) #16, 17, 18 & 19
	888-2148-00098PB	APV II, SEAL KIT, SEALS ONLY, W/URETHANE SEAT, INCLUDES (1) # 8, (2) # 13 & 15, (1) # 17 & 19
1	888-2148-00001PB	APV II, KNOB (BLACK PIRATE BRAND)
2	888-2014-300PB	VENT, 1/8"
3	888-2148-00002PB	APV & APV II, CAP ASSEMBLY
4	888-2149-00019PB	APV & APV II, BUMP RING
5	888-2149-00003PB	APV & APV II, SPRING
6	888-2148-00015PB	APV II, PLUNGER STOP (STAINLESS)
7	888-2148-00016PB	APV II, NYLON WASHER
8	888-2148-00004PB	APV & APV II, PISTON SEAL (GREEN URETHANE)
9	888-2148-00005PB	APV II, PISTON
10	888-2148-00007PB	APV II, PLUNGER (STAINLESS/SOLID TUNGSTEN CARBIDE)
11	888-2148-00009PB	APV II, CYLINDER, W/1" NPT CLEANOUT
12	888-4203-50000PB	SWIVEL 90°, 1/8"MNPT X 1/8"F
13	888-2148-00006PB	APV & APV II, PLUNGER SEAL W/ "O"-RING (CLEAR URETHANE)
14	888-2148-00017PB	APV II, PLUNGER BUSHING (STAINLESS)
15	888-2148-30006PB	APV II, PLUNGER SEAL W/O "O"-RING (CLEAR URETHANE)
16	888-2148-00013PB	APV & APV II, SOLID TUNGSTEN CARBIDE SLEEVE
	888-2149-32020PB	APV & APV II, MULTI PORTED SLEEVE STAINLESS STEEL
17	888-2149-00010PB	APV & APV II, URETHANE SEAT
18	888-2148-00014PB	APV II, INSERT (STAINLESS)
19	888-2149-00018PB	APV & APV II, O-RING
20	888-2148-30011PB	APV II, BASE W/CLEANOUT
	888-2149-00615PB	APV & APV II, PIPE NIPPLE 1" FEMALE x 1-1/2" MALE
21	888-2149-00715PB	APV & APV II, PIPE NIPPLE 1-1/4" MALE x 1-1/4" MALE
	888-2149-00815PB	APV & APV II, PIPE NIPPLE 1-1/2" MALE x 1-1/2" MALE
22	888-7027-50302PB	APV & APV II, FLAT WASHER 3/8" SAE (10 PACK)
23	888-7010-50755PB	APV & APV II, BOLT, 4 PACK
24	888-3014-206PB	APV II, PLUG, PIPE STAINLESS 1"
25	999-8403-00054PB	APV II CLEANOUT BALL VALVE ASSY



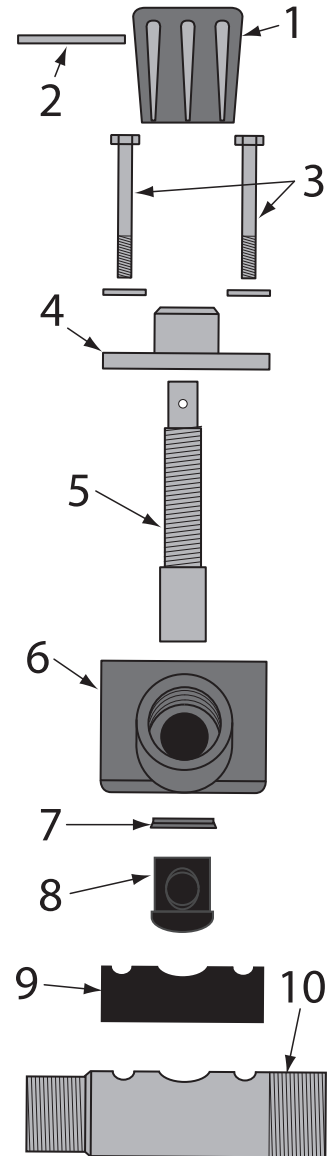
☠ VALVE PARTS LISTS ☠



APV (Automatic Plunger Valve)		
	888-2149-006PB	APV, 1", W/TC SLEEVE
	888-2149-106PB	APV, 1", W/URETHANE SLEEVE
	888-2149-007PB	APV, 1-1/4", W/TC SLEEVE
	888-2149-107PB	APV, 1-1/4", W/URETHANE SLEEVE
	888-2149-008PB	APV, 1-1/2", W/TC SLEEVE
	888-2149-108PB	APV, 1-1/2", W/URETHANE SLEEVE
	888-2149-00099PB	APV, REPAIR KIT W/TC SLEEVE, INCLUDES # 6, 8, 10, 15, 16, 17 & 18
	888-2149-00098PB	APV, SEAL KIT, SEALS ONLY W/URETHANE SEAT, INCLUDES # 6, 10, 15 & 17
	888-2149-10099PB	APV, REPAIR KIT W/URETHANE SLEEVE, INCLUDES # 6, 8, 10 & 11
	888-2149-10098PB	APV, SEAL KIT, SEALS ONLY W/URETHANE SLEEVE, INCLUDES 6, 10, & 11
1	888-2149-00001PB	APV, KNOB
2	888-2148-00002PB	APV & APV II, CAP ASSEMBLY
3	888-2149-00019PB	APV & APV II, BUMP RING
4	888-2149-00003PB	APV & APV II, SPRING
5	888-2149-00008PB	APV, NUT
6	888-2149-00004PB	APV, PISTON SEAL
7	888-2149-00005PB	APV, PISTON
8	888-2149-00007PB	APV, TUNGSTEN CARBIDE, PLUNGER
9	888-2149-00009PB	APV, CYLINDER
10	888-2148-00006PB	VALVE, PLUNGER SEAL
11	888-2149-10013PB	APV, SLEEVE, URETHANE
12	888-2149-00011PB	APV, BASE
13	888-7010-50755PB	APV & APV II, BOLT, 4 PACK
	888-2149-00615PB	APV & APV II, PIPE NIPPLE 1" FEMALE x 1-1/2" MALE
14	888-2149-00715PB	APV & APV II, PIPE NIPPLE 1-1/4" MALE x 1-1/4" MALE
	888-2149-00815PB	APV & APV II, PIPE NIPPLE 1-1/2" MALE x 1-1/2" MALE
15	888-2149-00018PB	APV & APV II, O-RING
16	888-2149-00014PB	APV, INSERT
17	888-2149-00010PB	APV & APV II, URETHANE SEAT
	888-2148-00013PB	APV & APV II, SOLID TUNGSTEN CARBIDE SLEEVE
18	888-2149-32020PB	APV & APV II, MULTI PORTED SLEEVE STAINLESS STEEL
19	888-2014-300PB	VENT, 1/8"
20	888-4203-50000PB	SWIVEL 90°, 1/8"MNPT X 1/8"F



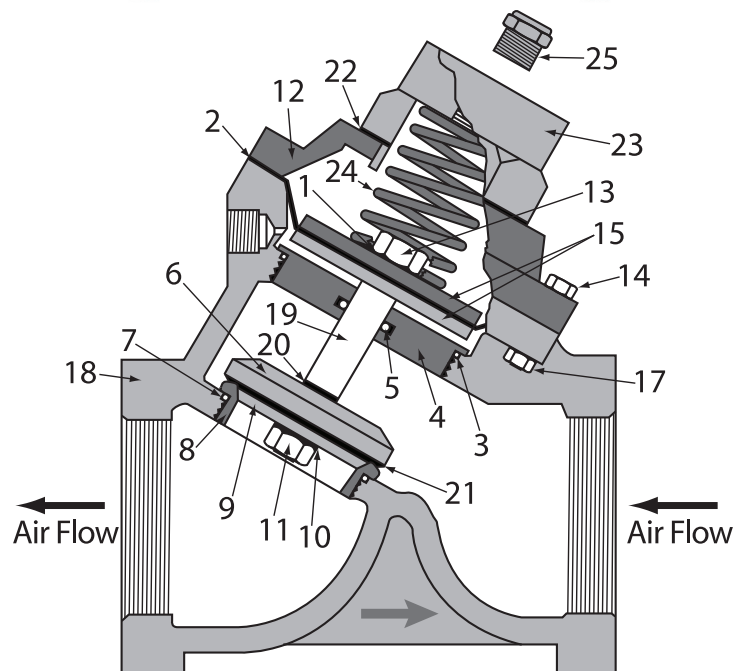
☠ VALVE PARTS LISTS ☠



MPV (Manual Plunger Valve)		
	888-2125-106PB	VALVE, MANUAL PLUNGER, 1", W/URETHANE SLEEVE
	888-2125-107PB	VALVE, MANUAL PLUNGER, 1-1/4", W/URETHANE SLEEVE
	888-2125-108PB	VALVE, MANUAL PLUNGER, 1-1/2", W/URETHANE SLEEVE
	888-2125-10099PB	VALVE, MANUAL PLUNGER, REPAIR KIT W/URETHANE SLEEVE, INCLUDES # 2, 5, 7, 8 & 9
	888-2125-10098PB	VALVE, MANUAL PLUNGER, SEAL KIT, W/URETHANE SLEEVE, INCLUDES 7, 8 & 9
1	888-2125-00001PB	VALVE, MANUAL PLUNGER, KNOB
2	888-2125-00004PB	VALVE, MANUAL PLUNGER, ROLL PIN
3	888-7010-50556PB	VALVE, MANUAL PLUNGER, BOLT W/WASHER
4	888-2125-00002PB	VALVE, MANUAL PLUNGER, CAP
5	888-2125-00005PB	VALVE, MANUAL PLUNGER, PLUNGER
6	888-2125-00006PB	VALVE, MANUAL PLUNGER, BODY
7	888-2148-00006PB	VALVE, PLUNGER SEAL
8	888-2125-10008PB	VALVE, MANUAL PLUNGER, SLEEVE, URETHANE
9	888-2125-00009PB	VALVE, MANUAL PLUNGER, GASKET
10	888-2125-00610PB	VALVE, MANUAL PLUNGER, PIPE NIPPLE 1" FEMALE x 1-1/2" MALE
	888-2125-00710PB	VALVE, MANUAL PLUNGER, PIPE NIPPLE 1-1/4" MALE x 1-1/2" MALE
	888-2125-00810PB	VALVE, MANUAL PLUNGER, PIPE NIPPLE 1-1/2" MALE x 1-1/2" MALE



☠ VALVE PARTS LISTS ☠



1" Auto Air Valve		
	888-2123-106PB	VALVE, AUTO AIR, 1", (NORMALLY CLOSED)
	888-2123-00699PB	VALVE, AUTO AIR, 1/2", 3/4" & 1", REPAIR KIT INCLUDES # 1, 2, 3, 5, 7, 11, 13, 20 & 21
25	888-2014-300PB	VENT, 1/8"



BLASTING SET-UP



AIR HOSE	
10-034RED-050-1	3/4" AIR HOSE ASSEMBLY, 50'
10-100RED-025-1	1" AIR HOSE ASSEMBLY, 25'
10-100RED-050-1	1" AIR HOSE ASSEMBLY, 50'
27WT-1	SAFETY CABLE, 1/2" - 1" HOSE TO EQUIP.
27WC-1	SAFETY CABLE, 1/2" - 1" HOSE TO HOSE.

BLAST HOSE	
Nozzles Not Included	
10-034BLK-050-3AL	3/4" BLAST HOSE ASSEMBLY, 50', INCLUDES NOZZLE HOLDER
10-100BLK-050-3AL	1" BLAST HOSE ASSEMBLY, 50', INCLUDES NOZZLE HOLDER
10-034BLK-050-4AL	3/4" EXTENSION HOSE ASSEMBLY, 50'
10-100BLK-050-4AL	1" EXTENSION HOSE ASSEMBLY, 50'
27WT-1	SAFETY CABLE, 1/2" - 1" HOSE TO EQUIP.
27WC-1	SAFETY CABLE, 1/2" - 1" HOSE TO HOSE.



BLASTING SET-UP



NOZZLES

1" ENTRY NOZZLES FOR USE WITH 3/4" BLAST HOSE	
1201-1172	#3 TUNGSTEN CARBIDE NOZZLE
1201-1173	#4 TUNGSTEN CARBIDE NOZZLE
1" ENTRY NOZZLES FOR USE WITH 1" BLAST HOSE	
1201-1173	#4 TUNGSTEN CARBIDE NOZZLE
1201-1174	#5 TUNGSTEN CARBIDE NOZZLE
1201-1175	#6 TUNGSTEN CARBIDE NOZZLE



AIR DRYERS / MOISTURE SEPARATORS

888-1200-08005PB	MOISTURE SEPARATOR 800 CFM, PORTABLE 150 PSI (10.3 BAR), (1) 4 LUG W/BALL VALVE INLET x (1) 4 LUG OUTLET
888-1310-021PB	AIR DRYER ADPB-250 CFM @ 100 PSIG OR 359 CFM @ 150 PSIG



BREATHING EQUIPMENT

407000-PFC	NOVA 2000™ RESPIRATOR PACKAGE
407800-PFC	ASTRO™ RESPIRATOR PACKAGE
407001	COOL TUBE
407024	HOT TUBE
407200	RADEX™ CO MONITOR (120V)
407201	RADEX™ CO MONITOR (12V)
RESPIRATOR PACKAGES INCLUDE RESPIRATOR HELMET, 50' BREATHING AIR SUPPLY HOSE, AND RADEX™ AIRLINE FILTER.	

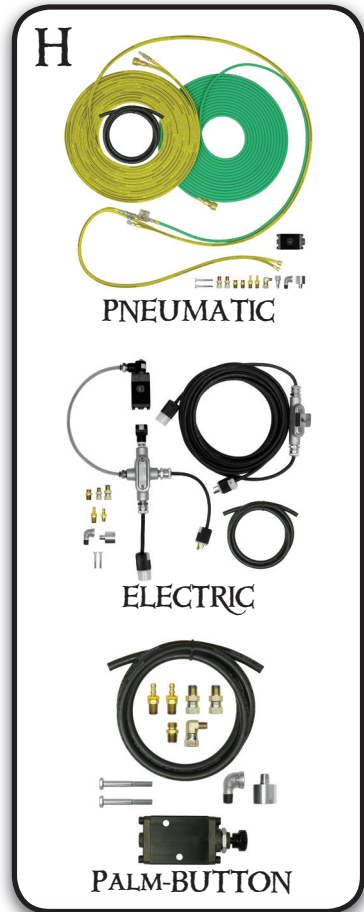
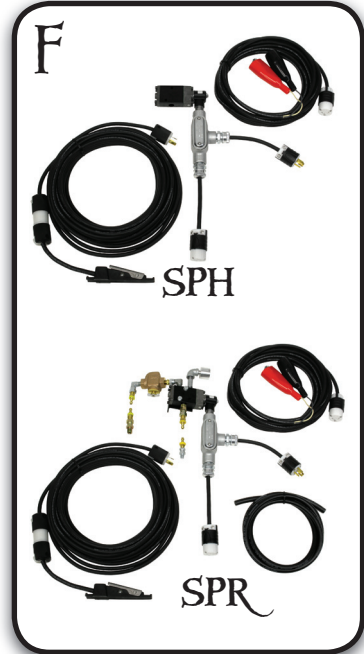


BLAST SUITS / GLOVES

122-9140	BLAST SUIT, LIGHTWEIGHT, MEDIUM
122-9150	BLAST SUIT, LIGHTWEIGHT, LARGE
122-9160	BLAST SUIT, LIGHTWEIGHT, XL
122-9170	BLAST SUIT, LIGHTWEIGHT, XXL
122-9180	BLAST SUIT, LIGHTWEIGHT, XXXL
407701	LUXURY DOUBLE PALMED LEATHER BLASTING/WELDING GLOVES



AVAILABLE ACCESSORIES





AVAILABLE ACCESSORIES

A

REGULATOR KIT

ADDING A REGULATOR KIT TO YOUR ABRASIVE BLASTER WILL ALLOW YOU TO BLAST AT LOWER PRESSURES TO ACHIEVE CUSTOM FINISHES OR HELP CONTROL PROFILE

888-2003-006PB-CI	1" REGULATOR KIT
888-2003-00799PB	REPAIR KIT FOR 1", 1-1/4" & 1-1/2" REGULATORS

E

SPR MUFFLER

INSTALLING A BLOW-DOWN MUFFLER TO YOUR SPR SERIES ABRASIVE BLASTER WILL REDUCE THE NOISE GENERATED AT BLOW-DOWN. IT WILL ALSO DIFFUSE THE BLAST OF AIR THAT IS RELEASED.

888-2011-007PB-CI	BLOW-DOWN MUFFLER KIT FOR SPR (PRESSURE RELEASE) ABRASIVE BLASTERS
-------------------	--

B

LIDS AND SCREENS

LIDS ARE IMPORTANT FOR KEEPING MOISTURE FROM FALLING INTO THE ABRASIVE BLASTER IN OUTDOOR APPLICATIONS. MOISTURE IN THE ABRASIVE BLASTER CAN CAUSE OBSTRUCTIONS IN THE METERING VALVE LEADING TO COSTLY DOWN-TIME.

SCREENS ARE IMPORTANT FOR KEEPING FOREIGN OBJECTS FROM FALLING INTO THE ABRASIVE BLASTER. FOREIGN OBJECTS IN THE ABRASIVE BLASTER CAN CAUSE OBSTRUCTIONS IN THE METERING VALVE LEADING TO COSTLY DOWN-TIME.

888-5010-010PB	LID, 12" DIA
888-5011-010PB	SCREEN, LOW PROFILE, 12" (1/4" MESH)

F

ELECTRIC CONV. KIT

CONVERT YOUR PNEUMATICALLY CONTROLLED SPH OR SPR SERIES ABRASIVE BLASTER TO ELECTRIC. ELECTRIC REMOTE CONTROLS ARE RECOMMENDED IF YOU RUN OVER 100 FEET OF BLAST HOSE OR WHEN BLASTING IN COLD WEATHER.

888-0004-410PB	PNEUMATIC TO ELECTRIC CONVERSION KIT FOR SPH SERIES ABRASIVE BLASTERS
888-0005-410PB	PNEUMATIC TO ELECTRIC CONVERSION KIT FOR SPR SERIES ABRASIVE BLASTERS

C

JOB TIMER

KEEP TRACK OF TIME SPENT ON A JOB AND TOTAL HOURS ON YOUR ABRASIVE BLASTER. KNOW YOUR COST, CONTROL YOUR COST & SET UP A PREVENTATIVE MAINTENANCE PROGRAM FOR YOUR BLAST EQUIPMENT.

PB-9805023	DUAL TIMER CONTROL BOX W/ KEY RESET & MOUNTING BRACKET
------------	--

G

RELIEF VALVE KIT

ADDING THIS ASME RELIEF VALVE KIT TO YOUR BLASTER CAN PREVENT DANGEROUS OVERPRESSURIZATION. LOCAL CODES MAY REQUIRE A DIFFERENT VALVE.

888-2470-00702PB	SMALL BLASTER RELIEF VALVE KIT
------------------	--------------------------------

D

POWER SUPPLY

ADD A POWER SUPPLY TO RUN ANY 12VDC ELECTRIC BLASTER ON COMMON 120AC OUTLET POWER. POWERS UP TO 4 CONTROL VALVES AT ONE TIME.

PB-SMP3WP	POWER SUPPLY 120AC INPUT/12VDC @ 2.5 AMP OUTPUT
-----------	---

H

ABRASIVE CUT-OFF CONV. KIT FOR SPH

ADD AN ABRASIVE CUT-OFF CONVERSION KIT TO YOUR SPH SERIES ABRASIVE BLASTER ALLOWING YOU TO BLOW OFF YOUR PROJECT WITH THE SAME HIGH VELOCITY AIR YOU BLAST WITH.

888-2035-00101PB	55' PNEUMATIC ABRASIVE CUT-OFF CONVERSION KIT FOR SPH SERIES ABRASIVE BLASTERS
888-2035-10101PB	55' ELECTRIC ABRASIVE CUT-OFF CONVERSION KIT FOR SPH SERIES ABRASIVE BLASTERS
888-2035-00201PB	PALM BUTTON ABRASIVE CUTOFF KIT FOR SPH SERIES ABRASIVE BLASTERS



BLASTING CHARTS

Nozzle Air, Power & Abrasive Requirements

NOZZLE # ORIFICE SIZE	NOZZLE AIR, POWER & ABRASIVE REQUIREMENTS	NOZZLE PRESSURE								
		50 PSI	60 PSI	70 PSI	80 PSI	90 PSI	100 PSI	125 PSI	140 PSI	
		(3.45 BAR)	(4.14 BAR)	(4.83 BAR)	(5.52 BAR)	(6.21 BAR)	(6.89 BAR)	(8.62 BAR)	(9.65 BAR)	
#2 1/8 inch (3.2 mm)	AIR	(cu ft/min)	12	13	15	18	19	21	26	
		(cu m/min)	0.34	.037	0.42	0.51	0.54	0.59	0.74	
	HORSEPOWER	(hp)	1.75	2	2.5	3	3.5	4	6	
		(kW)	1.30	1.49	1.86	2.24	2.61	2.98	4.47	
	ABRASIVE	(lb/hr)	70	80	90	100	110	120	135	
		(kg/hr)	32	36	41	45	50	54	61	
#3 3/16 inch (4.8 mm)	AIR	(cu ft/min)	25	30	35	40	43	45	60	
		(cu m/min)	0.71	0.85	0.99	1.13	1.22	1.27	1.70	
	HORSEPOWER	(hp)	5	8	9	9.5	10	10.5	16	
		(kW)	3.75	5.97	6.71	7.08	7.46	7.86	11.93	
	ABRASIVE	(lb/hr)	150	170	200	215	240	260	320	
		(kg/hr)	68	77	91	98	109	118	145	
#4 1/4 inch (6.35 mm)	AIR	(cu ft/min)	50	55	60	70	75	80	95	
		(cu m/min)	1.42	1.56	1.70	1.98	2.12	2.27	2.69	
	HORSEPOWER	(hp)	10	12	13	16	17	18	25	
		(kW)	7.46	8.95	9.69	11.93	12.68	13.42	18.64	
	ABRASIVE	(lb/hr)	270	300	350	400	450	500	675	
		(kg/hr)	122	136	159	181	204	227	306	
#5 5/16 inch (8 mm)	AIR	(cu ft/min)	80	90	100	115	125	140	190	230
		(cu m/min)	2.27	2.55	2.83	3.26	3.54	3.96	5.38	6.51
	HORSEPOWER	(hp)	17	20	25	27	28	30	36	60
		(kW)	12.68	14.91	18.64	20.13	20.88	22.37	26.85	44.85
	ABRASIVE	(lb/hr)	470	530	600	675	750	825	1000	1125
		(kg/hr)	213	240	272	306	340	374	454	510
#6 3/8 inch (9.5 mm)	AIR	(cu ft/min)	110	125	145	160	175	200	275	315
		(cu m/min)	3.12	3.54	4.11	4.53	4.96	5.66	7.79	8.91
	HORSEPOWER	(hp)	25	29	32	35	40	45	57	65
		(kW)	18.64	21.63	23.86	26.10	29.83	33.56	42.50	48.59
	ABRASIVE	(lb/hr)	675	775	875	975	1060	1100	1350	1840
		(kg/hr)	306	352	397	442	481	499	612	835
#7 7/16 inch (9.5 mm)	AIR	(cu ft/min)	150	170	200	215	240	255	315	405
		(cu m/min)	4.25	4.81	5.66	6.09	6.80	7.22	8.92	11.46
	HORSEPOWER	(hp)	35	40	45	50	55	60	70	90
		(kW)	26.10	29.83	33.56	37.28	41.01	44.74	52.20	67.28
	ABRASIVE	(lb/hr)	900	1000	1200	1300	1400	1510	1800	2540
		(kg/hr)	408	454	544	590	635	703	816	1152
#8 1/2 inch (12.7 mm)	AIR	(cu ft/min)	200	225	250	275	300	340	430	540
		(cu m/min)	5.66	6.37	7.08	7.79	8.50	9.63	12.18	15.28
	HORSEPOWER	(hp)	45	50	55	63	70	75	95	120
		(kW)	33.56	37.28	41.01	46.98	52.20	55.93	70.84	89.70
	ABRASIVE	(lb/hr)	1200	1350	1500	1700	1850	2025	2525	3240
		(kg/hr)	544	612	680	771	839	919	1145	1470
#10 5/8 inch (16 mm)	AIR	(cu ft/min)	300	350	400	450	500	550	700	880
		(cu m/min)	8.50	9.91	11.33	12.74	14.16	15.58	19.82	24.90
	HORSEPOWER	(hp)	70	80	90	100	110	120	150	190
		(kW)	52.20	59.66	67.11	74.57	82.03	89.48	111.85	142.02
	ABRASIVE	(lb/hr)	1900	2200	2400	2700	3000	3300	4000	5200
		(kg/hr)	862	998	1089	1225	1361	1497	1814	2359
#12 3/4 inch (19 mm)	AIR	(cu ft/min)	430	500	575	650	700	800	1100	1255
		(cu m/min)	12.18	14.16	16.28	18.41	19.82	22.66	31.15	35.52
	HORSEPOWER	(hp)	100	115	130	145	160	175	215	245
		(kW)	74.57	85.76	96.94	108.13	119.31	130.50	160.33	183.13
	ABRASIVE	(lb/hr)	2700	3100	3500	3900	4300	4700	5700	7375
		(kg/hr)	1225	1406	1588	1769	1950	2132	2586	3345

This table is to be used as reference only. Actual results may vary depending on specific abrasive medium used. This table is based on abrasive with a bulk density of 100 pounds per cubic foot.