



MPV II™

MANUAL PLUNGER VALVE II



Abrasive Adjustment Indicator (AAI)

1" Clean-Out Port with Stainless Steel Plug

No bolts through the nipple (prevents leaks)

Nipples hardened to 55 HRC for long life

The valve stays on the blaster during repairs!

Repair / inspect without removing the nipple or disconnecting the pusher line!

Faster / easier maintenance & repairs!

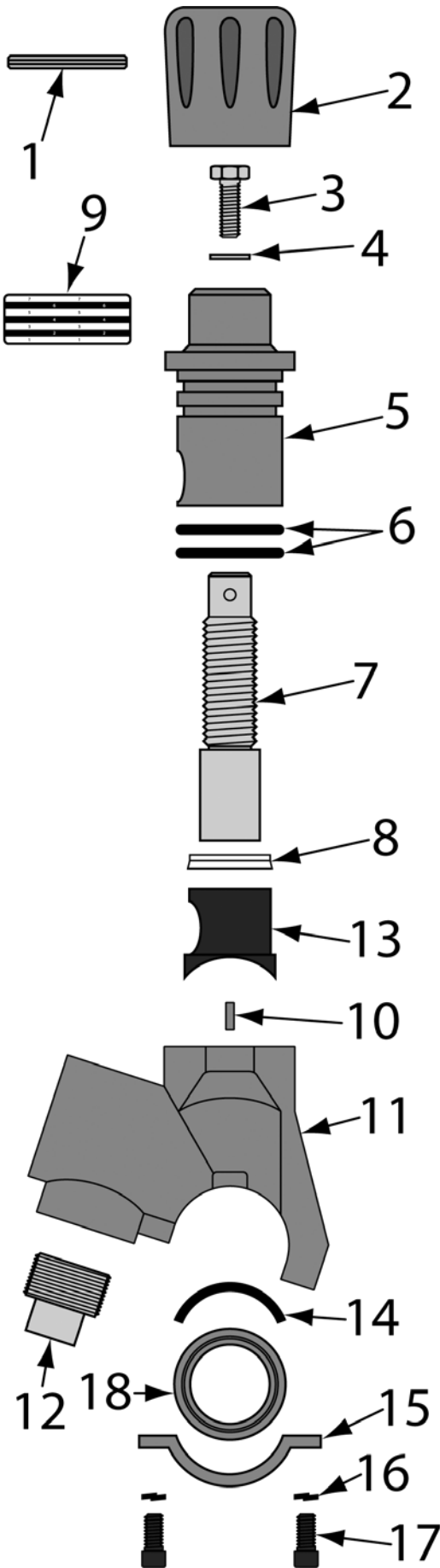
Rebuild in minutes



REMOVABLE CARTRIDGE!

The MPV II™ features a top body assembly which provides access to the plunger, seals, & urethane sleeve by simply removing 2 bolts and pulling the assembly out of the valve body. This is a major innovation that drastically improves the serviceability of the MPV II over traditional MPV style valves.

PARTS & REPAIR KITS



Complete Valves



PN: 888-2126-106PB

MPV II, 1" W/ URETHANE SLEEVE
(1" FEMALE x 1-1/2" MALE NIPPLE)

PN: 888-2126-107PB

MPV II, 1-1/4" W/ URETHANE SLEEVE
(1-1/4" MALE x 1-1/2" MALE NIPPLE)

PN: 888-2126-108PB

MPV II, 1-1/2" W/ URETHANE SLEEVE
(1-1/2" MALE x 1-1/2" MALE NIPPLE)

Repair & Seal Kits



PN: 888-2126-10099PB
MPV II, REPAIR KIT W/URETHANE SLEEVE,
INCLUDES #1, (2)6, 7, 8, 13 & 14



PN: 888-2126-10098PB
MPV II, SEAL KIT W/URETHANE SLEEVE,
INCLUDES (2)#6, 8, 13 & 14

MPV II (Manual Plunger Valve II)

1	888-2125-00004PB	MPV & MPV II, ROLL PIN
2	888-2126-04700PB	MPV II, KNOB (BLACK PIRATE BRAND)
3	888-2126-22500PB	MPV II, BOLT (2 REQUIRED)
4	102-4420	AMV II & MPV II, FLAT WASHER (2 REQUIRED)
5	888-2126-29100PB	MPV II, TOP BODY W/ABRASIVE ADJUSTMENT INDICATOR LABEL
6	888-2126-06600PB	MPV II, "O"- RING (2 REQUIRED)
7	888-2125-00005PB	MPV & MPV II, PLUNGER
8	888-2148-00006PB	APV, APV II, MPV & MPV II, PLUNGER SEAL WITH "O"- RING (CLEAR URETHANE)
9	888-2126-07800PB	MPV II, ABRASIVE ADJUSTMENT INDICATOR LABEL
10	888-2126-30800PB	MPV II, ROLL PIN (3 REQUIRED)
11	888-2126-28900PB	MPV II, BODY
12	888-3014-206PB	APV II & MPV II, PLUG, PIPE STAINLESS 1"
13	888-2125-10008PB	MPV & MPV II, SLEEVE, URETHANE
14	888-2126-31300PB	MPV II, GASKET
15	888-2126-29300PB	MPV II, HALF RING CLAMP
16	888-2126-11800PB	MPV II, LOCK WASHER (2 REQUIRED)
17	888-2126-22600PB	MPV II, BOLT, HALF RING CLAMP (2 REQUIRED)
18	888-2126-00610PB	MPV II, PIPE NIPPLE, 1" FEMALE x 1 1/2" MALE
	888-2126-00710PB	MPV II, PIPE NIPPLE, 1 1/4" MALE x 1 1/2" MALE
	888-2126-00810PB	MPV II, PIPE NIPPLE, 1 1/2" MALE x 1 1/2" MALE



2717 Tobey • Indianapolis, IN 46219
(317) 545-0665 • FAX (317) 545-0670 • (800) 800-0665
www.idsblast.com