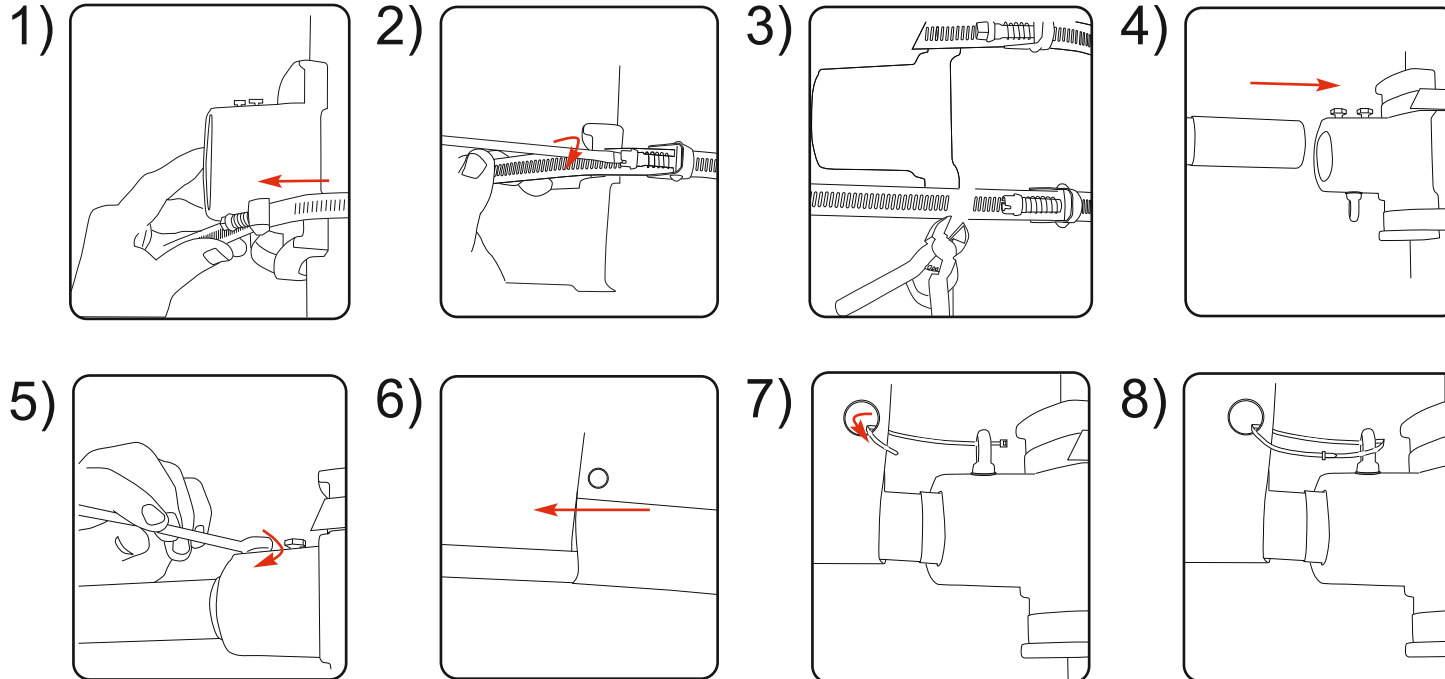
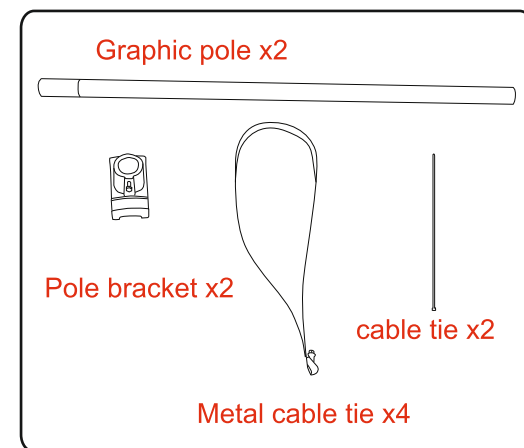


MISTRAL BANNER FITTING INSTRUCTIONS



Please note: The top graphic fixing loop must be facing down, and the bottom graphic loop must be facing up

HARDWARE SPECIFICATIONS	GRAPHIC SPECIFICATIONS
Assembled dimensions 2000mm (h) x 890mm (w)	Please refer to Graphic template



BHMA Limited, 7 to 10 Ashley Park, Common Road
Witchford, Cambs, CB6 2HZ.

Tel: 01353 665141 Email: sales@bhma.co.uk
www.bhma.co.uk