

## SPECIFICATIONS

### FINISHED GRAPHIC PANEL SIZE

2000 mm version  
2000 (L) x 800 (W) mm

3000 mm version  
3000 (L) x 800 (W) mm

### RECOMMENDED EYELET SIZE

Minimum Internal Diameter = 14 mm

### ASSEMBLED SIZE

2000 mm version  
915 (H) x 2150 (W) x 615 (D) mm

3000 mm version  
915 (H) x 3140 (W) x 615 (D) mm

### BOXED SIZE

2000 mm version  
1100 (L) x 180 (W) x 180 (D) mm

3000 mm version  
1600 (H) x 180 (W) x 180 (D) mm

### BOXED WEIGHT

2000 mm = 4.2 kg

3000 mm = 6.0 kg

### Note:

Please test your substrate suitability before use.

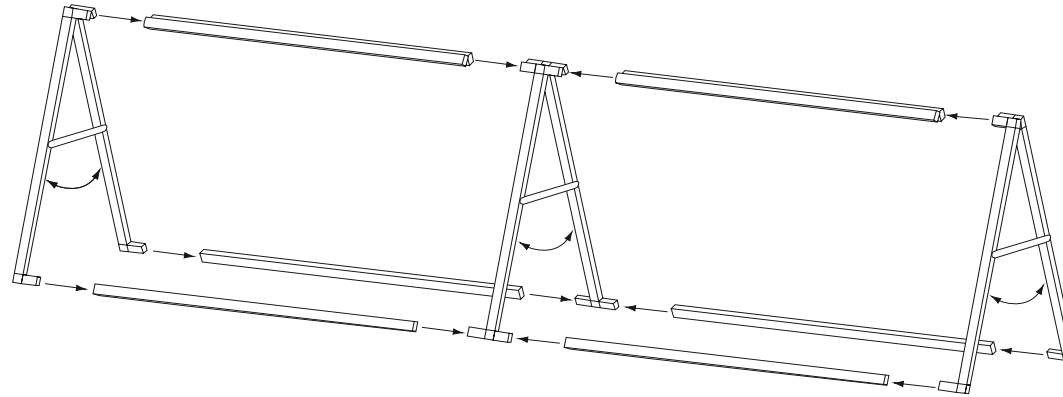
## COMPONENT LIST

**Product code - 91716**  
2000 mm single / double sided

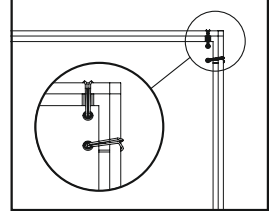
**Product code - 91717**  
3000 mm single / double sided

8x Horizontal bar  
2x End leg set  
1x Centre leg set  
6x Ground peg  
24x Bungee cord (enough for 2 graphics)  
Bag and inner wrap

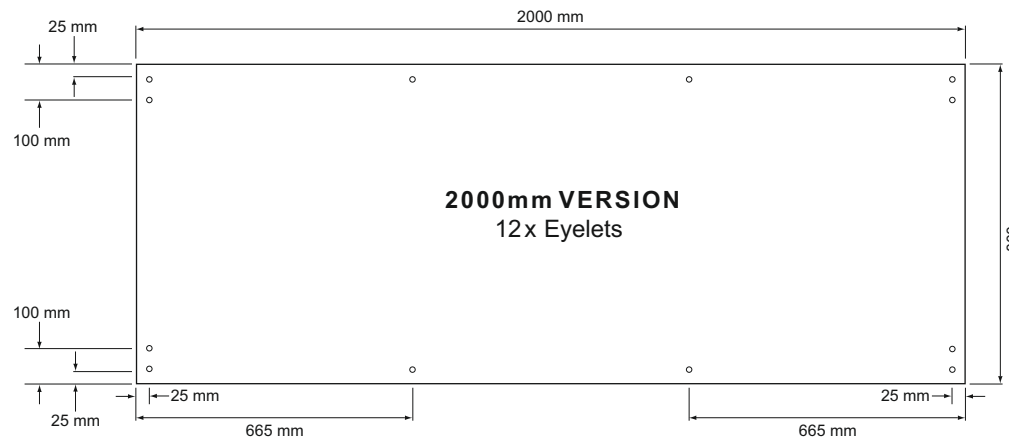
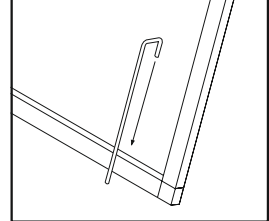
## OUTDOOR A-BANNER - ASSEMBLY INSTRUCTIONS & GRAPHIC ATTACHMENT



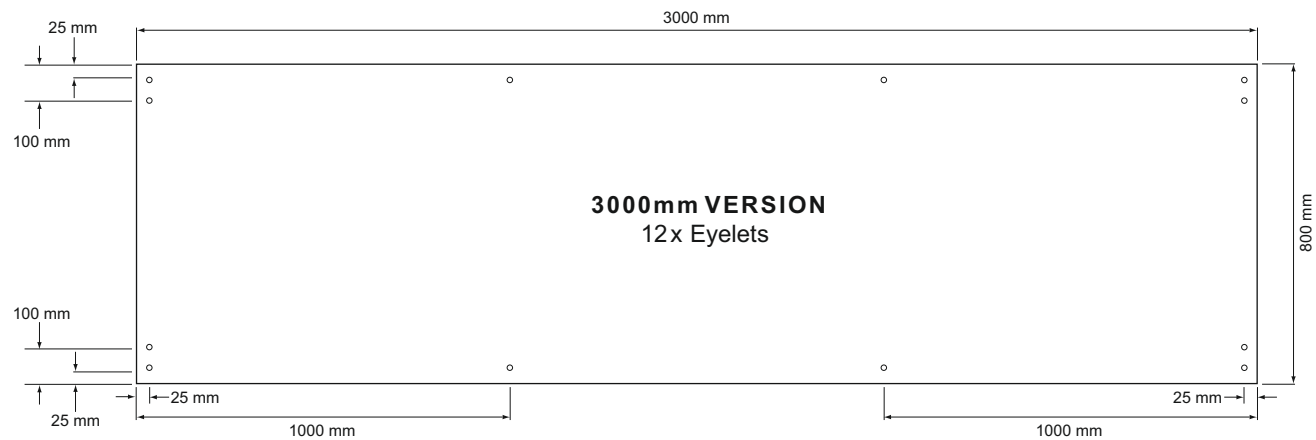
### BUNGEE CORDS



### GROUND PEGS



**2000mm VERSION**  
12x Eyelets



**3000mm VERSION**  
12x Eyelets