



PFXXL - Hot water buffer store Extra Large Pufferspeicher

Carbon steel hot water buffer store for the storage of big amount of primary water produced from continuous and discontinuous heat sources. Specifically designed to work with biomass systems, heating districts, industrial plants.

The thermal fluid contained in the cylinder and in the primary heat exchangers must operate in closed circuit (without oxygen), in order to avoid corrosion phenomena.

HEAT SOURCE



APPLICATION



TECHNICAL FEATURES

Buffer vessel

General features

Material	S 235 Jr Carbon steel
Internal protective treatment	None
External protective treatment	Anti rust protection + epoxy painting
Rating (P max. / T max.)	3 or 6 bar / 95°C
Capacity	6000 - 30000 L (up to 100.000 litres on demand)
Warranty	2 years
Insulation	Soft polyurethane with PVC jacket (insulation delivered not assembled to the cylinder)
In compliance with	Pressure Equipment Directive (PED) 2014/68/UE Art. 4 Para 3

ACCESSORIES (page 218)



Electronic control unit



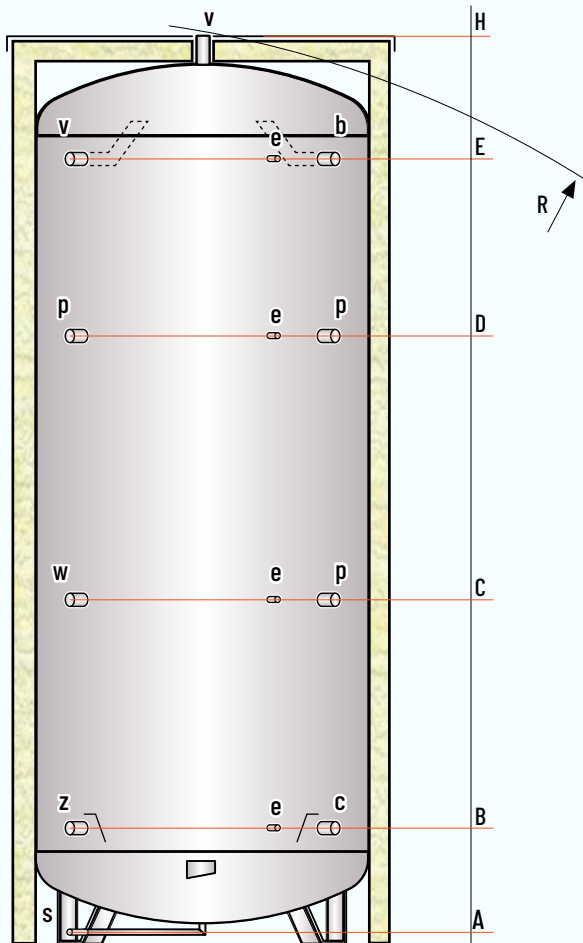
Thermostat



Thermometer

PFXXL - Soft insulation with polyurethane and PVC jacket

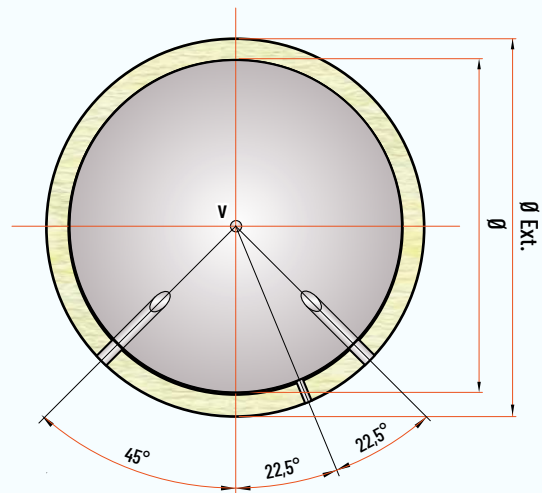
WORKING PRESSURE 3 bar CODE	WORKING PRESSURE 6 bar CODE	INSULATION THICK. (mm)	REAL CAPACITY (L)
PFXXL 06003 F	PFXXL 06006 F	100	6038,2
PFXXL 08003 F	PFXXL 08006 F	100	8220,0
PFXXL 10003 F	PFXXL 10006 F	100	9790,0
PFXXL 15003 F	PFXXL 15006 F	100	15495,7
PFXXL 20003 F	PFXXL 20006 F	100	20711,9
PFXXL 30003 F	PFXXL 30006 F	100	30524,4



LEGEND

- b** . Heat source flow
- c** . Heat source return
- e** . Thermometer - Sensor
- p** . Free connection
- v** . Heating system flow
- w** . Opening for immersion heater
- z** . Heating system return

PRIMARY WATER
THERMAL STORES



MODEL	DIMENSIONS (mm)				HEIGHTS (mm)					CONNECTIONS (GAS)				WEIGHT PFXXL 6 bar (kg)
	Ø	H	Ø EXT * R		A	B	C	D	E	e	b c p v w z	s		
PFXXL 0600_ F	1600	3460	1800	3590	60	570	1345	2135	2925	1/2"	2"	1 1/4"	598	
PFXXL 0800_ F	2000	3180	2200	3470	120	760	1325	1955	2520	1/2"	2"	1 1/4"	862	
PFXXL 1000_ F	2000	3680	2200	3890	120	760	1485	2275	3015	1/2"	3"	1 1/4"	1056	
PFXXL 1500_ F	2300	4250	2500	4500	120	765	1700	2635	3550	1/2"	3"	1 1/4"	1430	
PFXXL 2000_ F	2500	4850	2700	5110	120	845	1925	3025	4105	1/2"	3"	1 1/4"	2052	
PFXXL 3000_ F	2500	6850	2700	7000	120	845	2595	4355	6100	1/2"	3"	1 1/4"	2908	

* The insulation is supplied not assembled to the cylinder