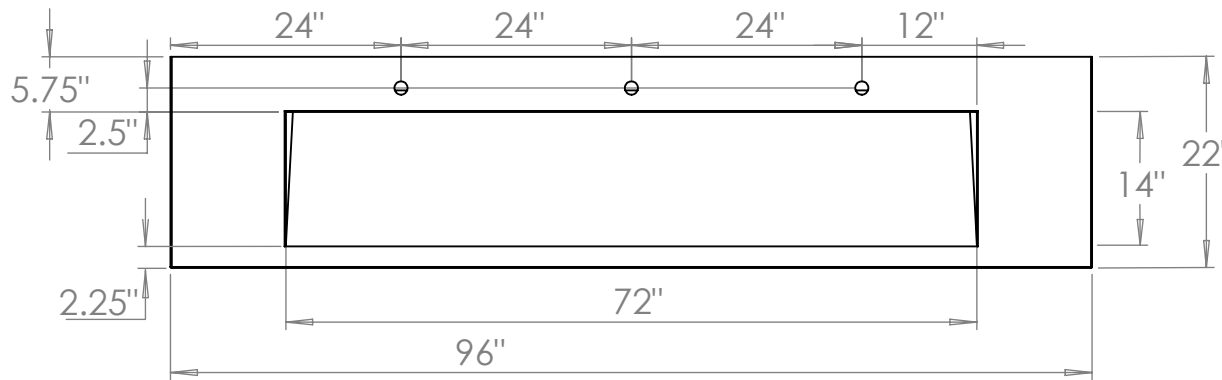
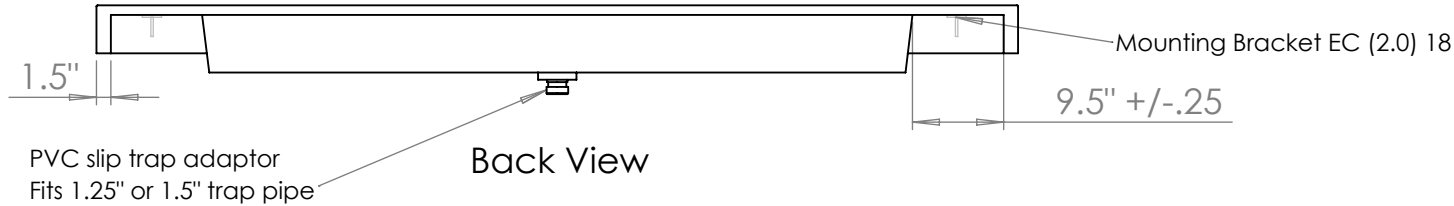
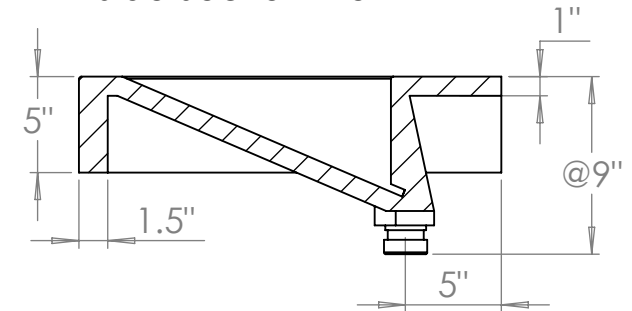


Top View



Side Section View



- Can be wall hung to meet ADA Accessibility Guidelines
- 1 3/8" faucet holes (other options available upon request)
- Soap holes upon request
- Sink is without overflow
- Includes PVC slip joint trap adaptor. Fits 1.25" or 1.5" tailpipe (Brass fitting optional)
- For wall hung installation using 2.0" concealed bracket part# EC(2.0)18
- Refer to CCW Wall Hung Installation Instructions for installation guidelines
- N-Hansed™/Stain-Proof™ (5 Year Warranty)
- Easy to clean with standard products (Refer to CCW Care and Maintenance)

Codes/Standards

CSA B45.8-18/IAMPO Z403-18

ASME A112.18.2/CSA B125.2

ADA

ICC/ANSI A117.1

CSA B651-18

