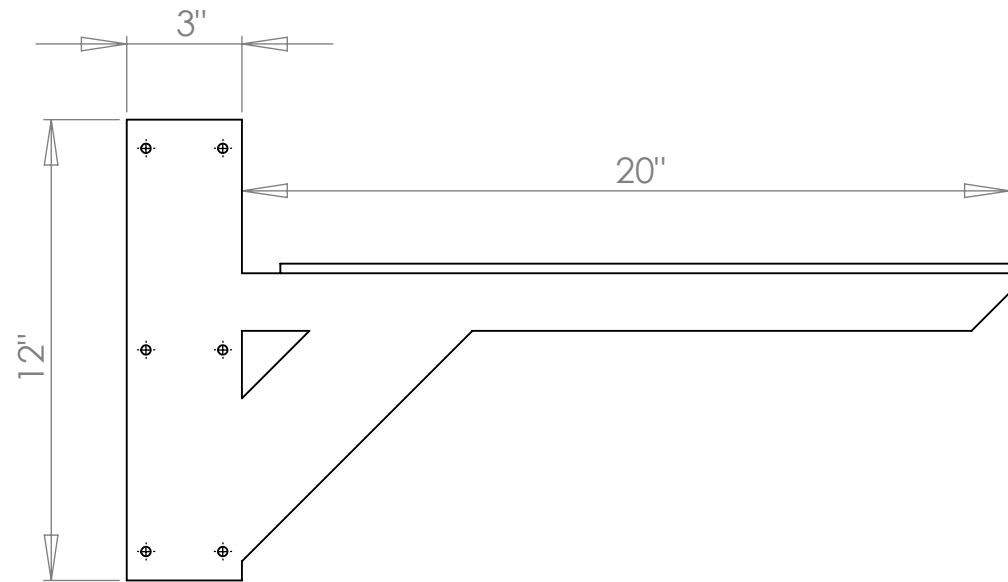
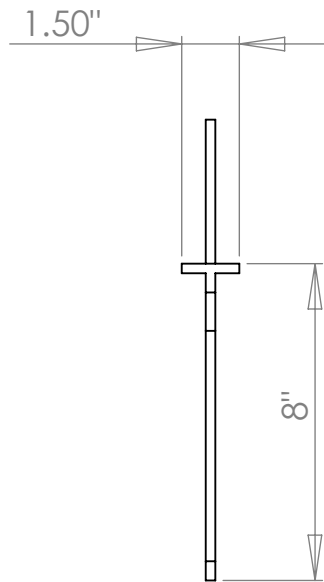
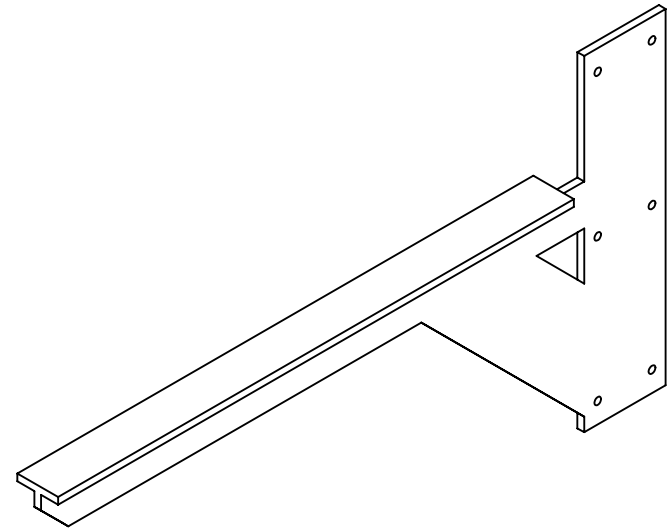


CustomCreteWerks

Universal Countertop Support
Version: 1.0
Designed By: CCW
Part# WB20



Notes:

- This support bracket is designed to be mounted along side a wood stud and hidden within a wall.
- Make sure that your supporting structure is sufficient for holding your countertop.
- Use fasteners that are substantial enough to support to the structural load of the supported countertop.
- Use adhesive to attach your countertop to the supporting brackets and structure.
- Additional structural bracing may be required.
- Brackets are unpainted (unless noted otherwise in your sales order) and should be cleaned before painting.