



BLUEPRINT

New Furniture Items

“ We Design
Innovative Working Environment ”



WE ARE BW FURNITURE.

BW Furniture is a leading integrated interior design company in Hong Kong, specializing in providing professional interior design and renovation works for diversified properties.

BLUEPRINT IS A CONCEPT OF FURNITURE SOLUTION.

From aesthetic and functionality design, to material, texture and color, our consultants accompany you along the way, guiding you in selecting every furniture element.



At Blueprint, our professionals pride ourselves on insightful ideas about how to furnish the office in various zones. We focus on furniture functionality, quality, design and experience.





PRODUCT INDEX

Executive Furniture

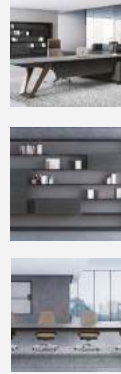
Executive Chair

Bentley Series



Pages | **8**

Zeus Series



12

Air-X Series



16

Bugatti Series



10

CEO Series



14

Royal Series



22

Alek Series



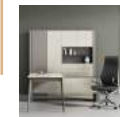
24

Amola Series



26

Arico Series



25

Designer Sofa & Chair

Tulon Oval Series



27

30

31

32

33

34

35

Tulon Curve Series



TL-O Series



Aston Series



Colour Art Series



Tulon Series



TL-G Series



Sound Pod

WORK-POD Series



38

CAFE-POD Series



39

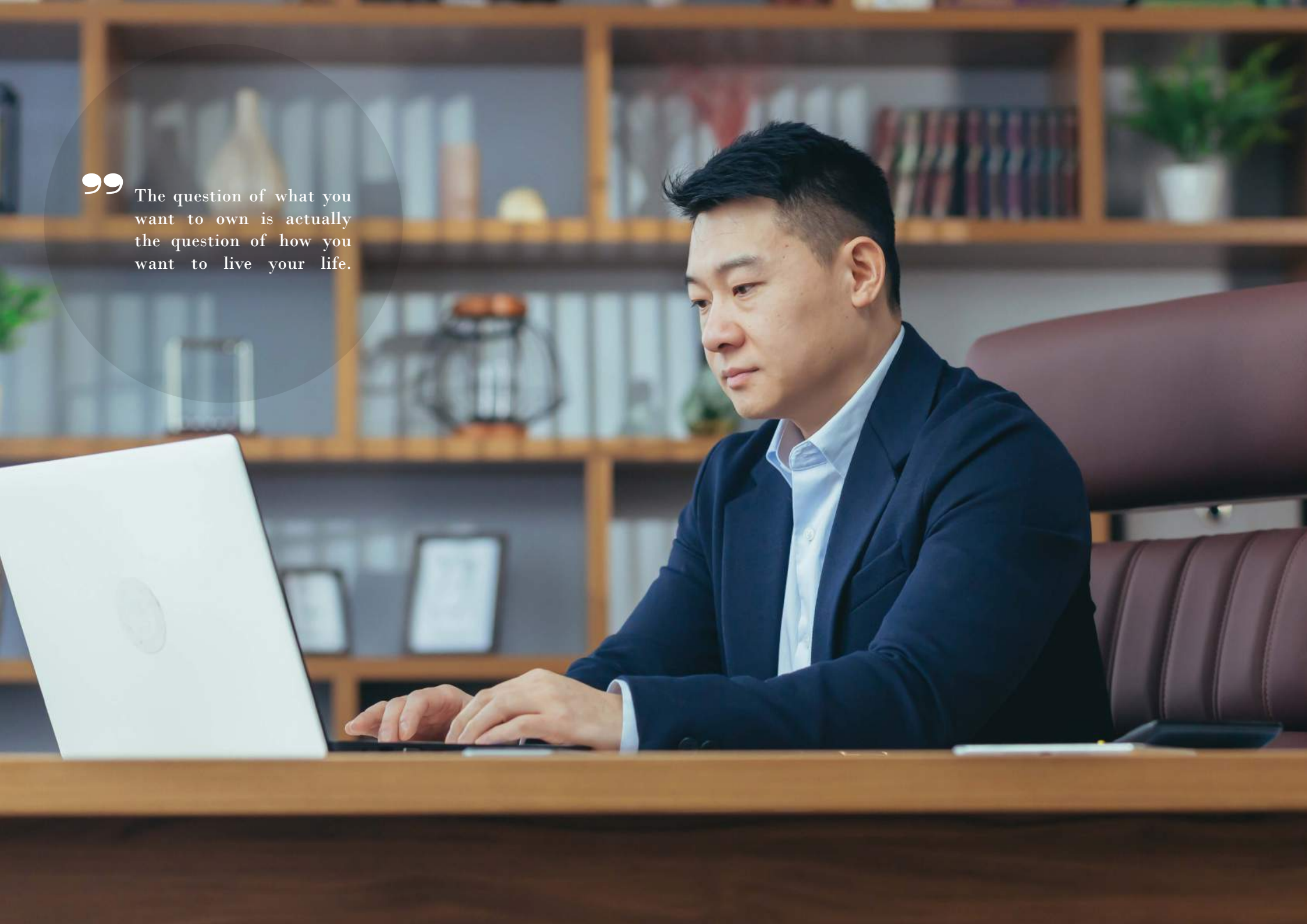
40

MEET-POD Series



”

The question of what you want to own is actually the question of how you want to live your life.



BLUEPRINT EXECUTIVE *Series*

BLUEPRINT BENTLEY
BLUEPRINT BUGATTI
BLUEPRINT CEO
BLUEPRINT ZEUS
BLUEPRINT AIR-X



EDL1TSS-BL

BENTLEY

BENTLEY series 行政級辦公檯

BY BLUEPRINT

Breakthrough Tradition, Imagine the Future.

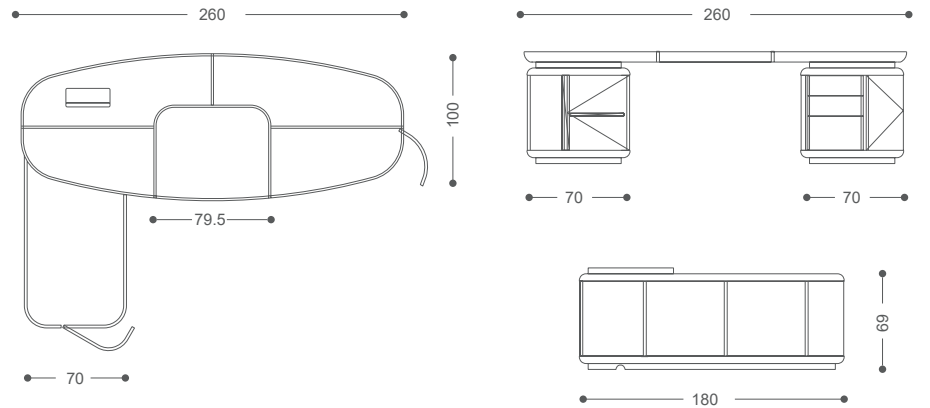
Space for managers needs a simple atmosphere without losing the sense of personalized office space. Bentley senior executive office furniture came into being. Fade away the pomp and circumstance, break through the tradition, straightforward and competent, stylish atmosphere.



Recommended Size
240(W) x 185(D) x 76(H) cm

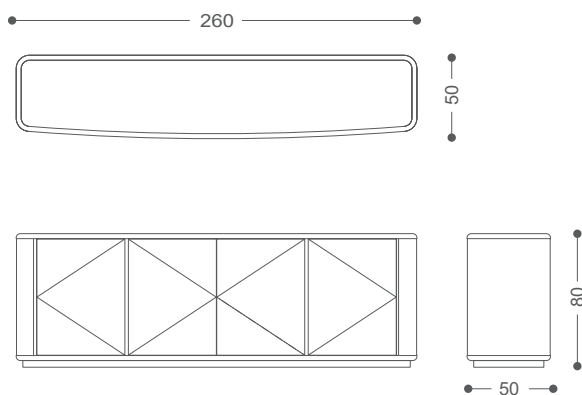
Materials & Finishes
Wood Veneer, Leather

Production Time
8 weeks



WFLFTSS-BLD
BENTLEY series
行政級書櫃

BY BLUEPRINT



Recommended Size
240(W) x 50(D) x 80(H) cm

Materials & Finishes
Wood Veneer, Leather

Production Time
8 weeks





EDS1TSS-BJ
BUGATTI series
行政級辦公檯

BY BLUEPRINT



With its clean lines and distinctive curved geometry, the BLUEPRINT BUGATTI executive desk collection creates a modern style that ensures a lasting impression.

The exotic ebony veneer is harmoniously combined with the matte black finish. The natural ebony grain delights the eye with its extraordinary brightness and beauty.

Recommended Size
240(W) x 50(D) x 80(H) cm

Materials & Finishes
Wood Veneer, Leather

Production Time
8 weeks

WFHFTSS-BJD BUGATTI series 行政級書櫃

BY BLUEPRINT



Elegant and functional, the BLUEPRINT BUGATTI collection is an original design that perfectly creates a combination of high-quality materials and the most complimentary colors.

The coffee table with matte black finish and ebony grain is set against the light brown high-quality suede sofa, which is particularly noble and elegant.

Recommended Size

260(W) x 200(D) x 76(H) cm

Materials & Finishes

Wood Veneer, Tempered Glass

Production Time

8 weeks

SCL3TSS-BJD BUGATTI series 梳化及茶几

BY BLUEPRINT



Elegant and functional, the BLUEPRINT BUGATTI collection is an original design that perfectly creates a combination of high-quality materials and the most compatible colors that are functional, comfortable, and aesthetically pleasing.

Recommended Size

1600(W) x 700(D) x 450(H) cm

Materials & Finishes

Wood Veneer, Tempered Glass

Production Time

8 weeks





Recommended Size
320(W) x 240(D) x 75(H) cm

Materials & Finishes
Wood Veneer, Metal

Production Time
8 weeks

Z_{eus} EDL1TSS-EZ ZEUS series 行政級辦公檯

BY BLUEPRINT

The BLUEPRINT ZEUS series of executive desks are well designed to combine the modern style architecture, using the concepts of division and overhang to fully demonstrate the fashionable and modern sense of this series.

The main desk surface adopts a large area of recessed leather panels, and the partition is decorated with aluminum alloy, which has the function of alignment. The irregularly shaped legs are laser cut, presenting different visual effects at every angle.



WFGBTSS-EZ ZEUS series 行政級書櫃

BY BLUEPRINT



The BLUEPRINT ZEUS series executive bookcase is designed with the concept of suspension. Inside the thickened frame, the laminate and cabinet are suspended inside the frame in a concealed way, giving it a sci-fi impression. Books, ornaments, and medals can be fully displayed. Several closed cabinets are staggered to meet the needs of private storage and closet, which fit the idea of simplicity and elegance.

Recommended Size
360(W) x 50(D) x 200(H) cm

Materials & Finishes
Wood Veneer

Production Time
8 weeks



CDSLTTSS-EZ ZEUS series 行政級會議檯

BY BLUEPRINT



With the advancement of the times, the battery life of mobile office equipment is increasing, even the meeting rooms are flexibly using wireless data, and the need for wiring on the conference table has become less. BLUEPRINT ZEUS series executive conference table has hidden the multi-functional sockets under the table to make it more refreshing and bring the minimalist aesthetics to the extreme.

Recommended Size
400(W) x 140(D) x 75(H) cm

Materials & Finishes
Wood Veneer, Metal

Production Time
8 weeks





CEO

EXECUTIVE OFFICE

EDL1TSS-CEO

CEO series

行政級辦公檯

BY BLUEPRINT

The BLUEPRINT CEO collection of executive desks features a new color for 2022 - golden walnut veneer. This stunningly beautiful color gives the office an imposing and elegant look. With its design, color palette, and wood grain, the CEO collection is one of the most perfect furniture collections of the year.



Recommended Size
220(W) x 180(D) x 75(H) cm

Materials & Finishes
Wood Veneer

Production Time
8 weeks



Recommended Size

2800(W) x 40(D) x 200(H) cm

Materials & Finishes

Wood Veneer, Tempered Glass

Production Time

8 weeks

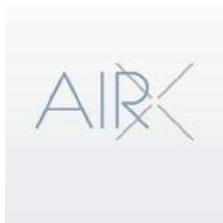


WFHFTSS-CEO CEO series 行政級書櫃

BY BLUEPRINT

The simple geometry of the CEO collection is harmoniously combined with the color and texture of the walnut veneer. The desk comes with a 60mm black leather top and a white topline box (optional painted or veneered finish).





ECL1TSS-Y

AIR-X series

行政級辦公檯

BY BLUEPRINT



Recommended Size

360(W) x 50(D) x 200(H) cm

Materials & Finishes

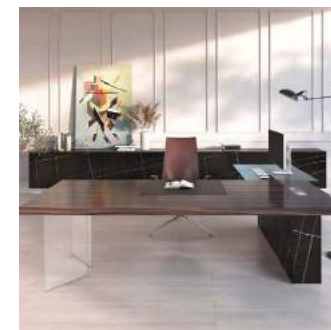
Wood Veneer

Production Time

8 weeks

The design concept of the BLUEPRINT AIR-X series of executive desks combines advanced technology with the unique style of modern furniture, turning the executive desk into an unexpected and unforgettable art piece.

The designer has inserted the concept of air that cannot be touched as the major design idea, as the light can completely penetrate the specific part of the furniture, presenting a huge contrast to the rich texture of the wood veneer and the elegant black stone.



WFHFTSS-Y
AIR-X series
行政級書櫃

BY BLUEPRINT



Recommended Size
400(W) x 140(D) x 75(H) cm

Materials & Finishes
Wood Veneer, Metal

Production Time
8 weeks

The BLUEPRINT AIR-X series executive bookcases are available in two different designs, with extra-low cabinet models which could potentially suit the needs of different office spaces.



CDSLTTSS-Y
AIR-X series
行政級會議檯

BY BLUEPRINT

The designer has inserted the concept of air that cannot be touched as the major design idea, as the light can completely penetrate the specific part of the furniture, presenting a huge contrast to the rich texture of the wood veneer and the elegant black stone.

Recommended Size
300(W) x 140(D) x 75(H) cm

Materials & Finishes
Wood & Stone Veneer, Acrylic

Production Time
8 weeks



Recommended Size

3-seats Sofa
314(W) x 93(D) x 74(H) cm

1-seats Sofa
130(W) x 93(D) x 74(H) cm

Coffee Table
140(W) x 70(D) x 43(H) cm

Materials & Finishes

Wood & Stone Veneer, Fabric, Acrylic

Production Time

8 weeks

SCS2TSS-Y

AIR-X series

行政級茶几及梳化

BY BLUEPRINT

The design concept of the BLUEPRINT AIR-X series executive coffee table and sofa combines advanced technology with the unique style of modern furniture, turning it into an unexpected and unforgettable art piece.

The BLUEPRINT AIR-X series sofas are brightly decorated with unique colors to match the coffee table of in the same series.



”

We consider the nature, target segments, philosophy, employee needs, or pace of the industry.

BLUEPRINT EXECUTIVE CHAIR *Series*

BLUEPRINT ROYAL
BLUEPRINT ALEK
BLUEPRINT ARICO
BLUEPRINT AMOLA
BLUEPRINT ASTON



BLUEPRINT ROYAL



ECHBCBO-BJ053

ROYAL series

行政級真皮大班椅

BY BLUEPRINT

BLUEPRINT ROYAL series executive leather executive chair is designed with the concept of Italian minimalism, one of the mainstream art styles today. The pursuit of realism, without any complicated decoration, shows its users' fashionable sense.

Size

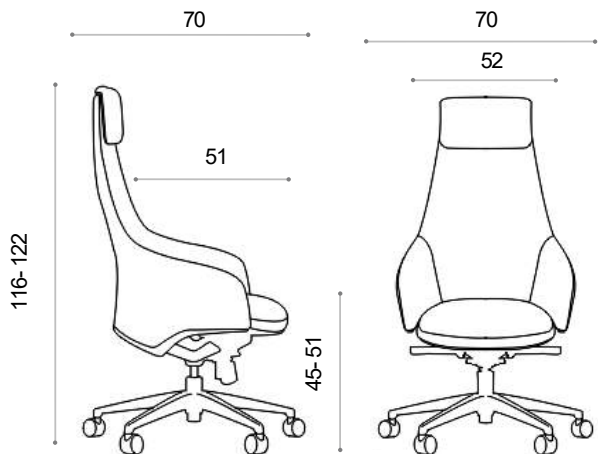
70(W) x 70(D) x 122(H) cm

Materials & Finishes

Leather, Metal

Production Time

6 weeks





CCHBCBO-BJ053 ROYAL series 行政級真皮會議椅

BY BLUEPRINT

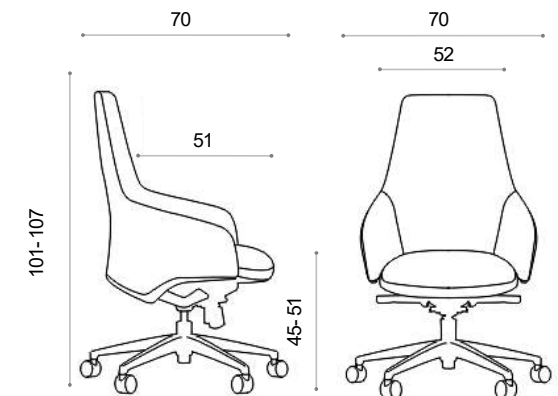
High-quality fabrics and delicate stitching techniques are coordinated with design inspiration to bring out the best of the product's function and beauty. The chairs are incredibly in comfort, users may experience surprises in its simplicity.



Size
70(W) x 70(D) x 107(H) cm

Materials & Finishes
Leather, Metal

Production Time
6 weeks



ECHBCBO-BJ056

ALEK series

行政級真皮會議椅



BY BLUEPRINT

BLUEPRINT ALEK series leather executive chair shows high elegance style, from design to material, all adhering to the aesthetics of art, leather, and aluminum armrests match seamlessly. The chair contains both classic luxury taste and modern minimalist style, it is definitely the first choice for executive officers.

Size

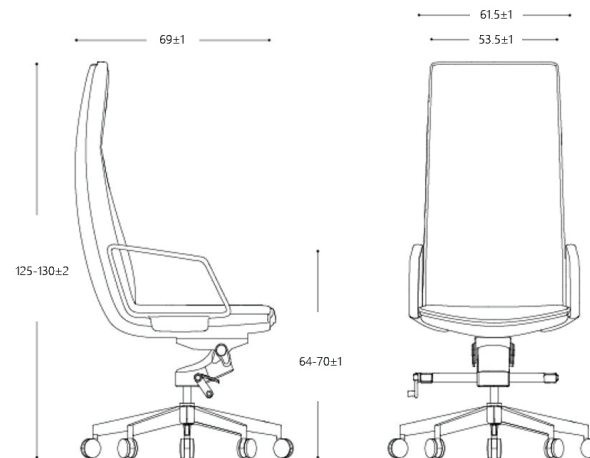
70(W) x 70(D) x 107(H) cm

Materials & Finishes

Leather, Metal

Production Time

6 weeks



ECHBCGT-ARICO

ARICO series

行政級真皮會議椅



Size
60(W) x 60(D) x 120(H) cm

Materials & Finishes
Leather, Metal

Production Time
6 weeks



BY BLUEPRINT

BLUEPRINT ARICO series executive leather executive chair/conference chair adopts minimalism as the design concept, giving up the superfluous and cumbersome design, maintaining both beauty and practicality.

The base of this series of chairs uses a German BOCK mechanism to provide high aesthetic and stability for your chair. Aluminum armrests are designed with a bow structure, which can effectively enhance the structural support. Therefore, this series of chairs is the perfect choice for executive-level staff.



ECHBCGT-AMOLA

AMOLA series

行政級真皮大班椅 / 會議椅

BY BLUEPRINT



Size

53(W) x 45(D) x 122(H) cm

53(W) x 45(D) x 100(H) cm

Materials & Finishes

Leather, Metal

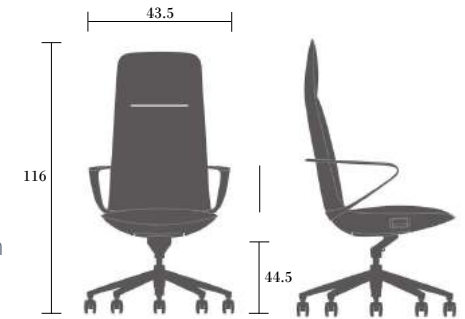
Production Time

6 weeks



BLUEPRINT AMOLA Series Executive Leather Chair/Conference Chair has both aesthetic and practical functions. It is manufactured using an integrated molding process that calculates the most suitable sitting posture for people through a computer-based collection and analyzing a large amount of data on human sitting posture.

This product achieves the integration of the backrest and seat plate through precise molding of the PVC material. It both improves the support strength of the internal structure and enhances the integrity and smoothness of the external shape.



ECHBCGT-OCAT ASTON series

行政級真皮大班椅 / 會議椅

BY BLUEPRINT



Recommended Size
68(W) x 70(D) x 122(H) cm

Materials & Finishes
Leather, Metal

Production Time
6 weeks

The BLUEPRINT ASTON series executive leather executive/conference chair breaks the conventions of its typical formation, with a linear silhouette and aerodynamic lines designed for comfort and performance. Underneath its sleek profile is mechanisms that are ergonomic with a lighter weight, making it the perfect choice for home or workplace armchairs. The aluminum five-star base is mounted on self-braking casters equipped with gas height adjustment and synchronization mechanisms.





”

We are proud to present you the Blueprint Collection, our tailored selection of quality furniture. With a wide-ranged furniture for all zones and functionality, we offer versatile and individual design possibilities in your office living space.

BLUEPRINT DESIGNER SOFA

& CHAIR *Series*

BLUEPRINT TULON OVAL
BLUEPRINT COLOUR ART
BLUEPRINT TULON CURVE
BLUEPRINT TULON
BLUEPRINT TL-O
BLUEPRINT TL-G



BLUEPRINT COLOUR ART





SCS3CJS-TL8290

TULON OVAL series

設計師梳化及茶几

BY BLUEPRINT

BLUEPRINT TULON OVAL series designer sofas and coffee tables are matched with each other in pastel tones. The embracing posture of the sofa makes the surrounding atmosphere warmer and more personalized. The material used is soft and comfortable, and the extremely squashy seat can bring you the most comfortable feeling.



Recommended Size

1-seat 85(W) x 82(D) x 78(H) cm
3-seat 210(W) x 82(D) x 78(H) cm

Materials & Finishes

Fabric

Production Time

6 weeks





SCO6CJS-TL8296

COLOUR ART series

設計師梳化及茶几

BY BLUEPRINT

The BLUEPRINT COLOUR ART series of designer sofas and coffee tables are driven by clear, distinct lines and modular backrests with multiple variations of shape and color. Customized sizes and shapes are available to meet different applications.

COLOUR
ART

Recommended Size

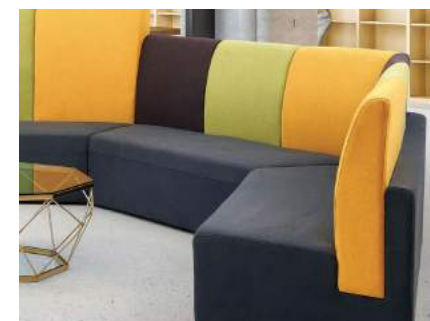
3-seat 216(W) x 77(D) x 78(H) cm

Materials & Finishes

Fabric

Production Time

6 weeks



Recommended Size

1-seat 94(W) x 85(D) x 78(H) cm

3-seat 260(W) x 130(D) x 73(H) cm

Materials & Finishes

Fabric

Production Time

6 weeks



SCO3CJS-TL8281

TULON CURVE series

設計師梳化及茶几



BY BLUEPRINT

BLUEPRINT TULON CURVE series designer sofa and coffee table with curved design, along with overall saturation and comfort, its seat material can fit with the body quickly and effectively reduce fatigue.

The design is based on Scandinavian style, adding a unique and comfortable appeal to the home space, with the distinctive coffee table, a stylized home is just one step away.





SCS1CJS-TL1309
TULON series
設計師椅

TULON

BY BLUEPRINT

The BLUEPRINT TULON designer series have discarded the exaggerated and complicated shapes and used simple curves to present a noble style.

In the adjustment of the sitting posture, this product conforms to the ergonomic angle and can help relaxation of the body and mind. The soft armrest design prevents collision and protects the user's safety.



Recommended Size
95(W) x 84(D) x 90(H) cm

Materials & Finishes
Leather, Fabric

Production Time
6 weeks

SCS1CJS-TL1331

TL-O series

設計師椅

TL

BY BLUEPRINT

The design of the BLUEPRINT TL series is inspired by Italian minimalism. The simple color scheme on the surface conceals delicate details, and the use of various lines and shapes is just right.

Recommended Size

82(W) x 79(D) x 80(H) cm

Materials & Finishes

Leather, Metal

Production Time

6 weeks



SCS1CJS-TL1319
TL-G series
設計師椅

TL

BY BLUEPRINT

The seat is made of high-density resilient foam, which is three-dimensionally plumped and evenly stressed to provide a high degree of comfort.

The leather edges are made with high-end stitching techniques to ensure product quality. Equipped with a steel stand, the structure is strong and invariable.

Recommended Size
70(W) x 80(D) x 102(H) cm

Materials & Finishes
Leather, Metal

Production Time
6 weeks





” Simplicity carried to an extreme becomes elegance.

BLUEPRINT

POD

Series

BLUEPRINT WORK-POD
BLUEPRINT MEET-POD
BLUEPRINT CAFE-POD



BLUEPRINT CAFE-BOX





MPNSTMS-WORK

WORK-POD series

隔音私人空間

BY BLUEPRINT

WORK BOX is an independent working module that allows users to customize the accessories according to their needs, to help them use the space flexibly in a crowded environment. The designers have created a unique design that provides a quality working environment that could potentially enhance concentration and work efficiency.

There is an excellent sound insulation function on the BLUEPRINT MEET BOX, mutually effectively blocking the sound, and suitable for use on different occasions. Especially when you need to conduct different meetings, whether to protect customer information or to ensure that the meeting is not affected by any external factors, soundproof meeting space is the best choice for you.



WORK-POD

Recommended Size

220(W) x 150(D) x 225(H) cm

160(W) x 130(D) x 225(H) cm

Materials & Finishes

Tempered Glass, Metal

Production Time

8 weeks



MPNSTMS-MEET MEET-POD series 隔音會議空間

BY BLUEPRINT

CAFE BOX is an independent pantry module, users can customize the accessories according to their needs. The designers have created a unique space that provides a quality communal space, while the right breaks between work can enhance team cohesion and enthusiasm for work.

BLUEPRINT CAFE BOX has all the functions of a pantry, including lighting, a water bar, and storage cabinets, providing an excellent resting space for employees.



MEET-POD

Recommended Size
220(W) x 150(D) x 225(H) cm
300(W) x 260(D) x 225(H) cm

Materials & Finishes
Tempered Glass, Metal

Production Time
8 weeks



MPNSTMS-COFFEE
CAFE-POD series
休閒空間

BY BLUEPRINT



CAFE-POD

Recommended Size
313(W) x 193(D) x 205(H) cm
313(W) x 230(D) x 205(H) cm

Materials & Finishes
Tempered Glass, Metal

Production Time
8 weeks

BW

FURNITURE

ISO 9001:2015

HONG KONG / CHINA HEADQUARTER

Room D-G, 5/F, Wah Lik Industrial Centre,
459-469 Castle Peak Road,
Tsuen Wan, Hong Kong

T : + 852 2129 0197
+ 852 5538 0077 (WhatsApp)
E : sales@brandingworks-design.com



brandingworks-office.com