



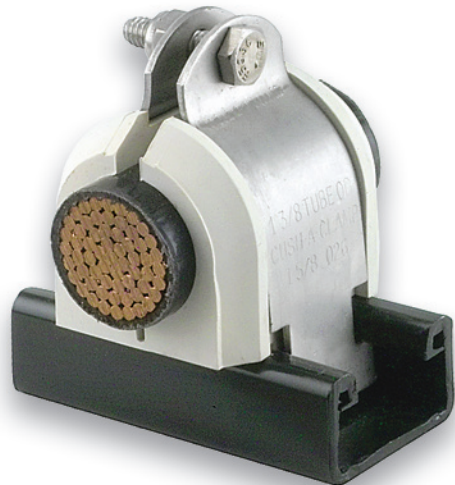
UNISTRUT®

Porce-A-Clamp™



***Replaces
Porcelain—
no more breakage!***

***Replaces
Maple Clamp—
no more dry rot!***



The Original Metal Framing System

PRODUCT
FOCUS



UNISTRUT®

Porce-A-Clamp™

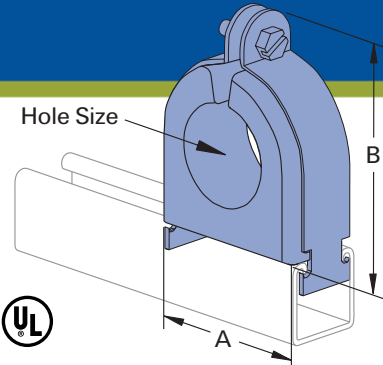
Porce-a-Clamp™ features an easy to use one piece insulator made from a flame retardant, high hardness grade TPE polymer that is U.L. listed. The tapered flange of the insulator insures complete isolation and protection of the cable. In addition to ending breakage and dry rot, other features include:

- Non-Breakable Flame Retardant TPE Material
- U.V. Resistant
- U.L. Listed
- Optional Stainless Steel Clamps
- Tapered Flange to Protect Cable
- Dielectric Strength 640 Volts Per Mil.
- One Piece Insulator
- Replaces Porcelain & Maple Cable Clamp
- For use in accordance with National Electrical Code ANSI/NFPA 70
- Includes Pipe Strap
- Costs less than Porcelain
- Doesn't rot like maple
- Exceptional chemical resistance
- Available in sizes 3/8" to 4 1/2"
- Significantly lighter weight than porcelain



Porce-A-Clamp™ Product Focus

Assembly consists of thermoplastic elastomer cushion with plated or stainless steel clamp. Plated steel supplied with Everdur bolt and nut, stainless clamp with stainless bolt and nut.



Part Number	Hole Size	"A"	"B"	Wt/100 pcs
	In (mm)	In (mm)	In (mm)	Lbs (kg)
P1787A	$\frac{3}{8}$ 9.5	1.36 34.5	1.82 46.2	25 11.3
P1787B	$\frac{1}{2}$ 12.7			
P1787C	$\frac{5}{8}$ 15.9			
P1788	$\frac{3}{4}$ 19.1	1.86 47.2	2.34 59.4	37 16.8
P1788A	$\frac{7}{8}$ 22.2			
P1788B	1 25.4			
P1788C	$1\frac{1}{8}$ 28.6			
P1789	$1\frac{1}{4}$ 31.8	2.36 59.9	2.86 72.6	58 16.8
P1789A	$1\frac{3}{8}$ 34.9			
P1789B	$1\frac{1}{2}$ 38.1			
P1789C	$1\frac{5}{8}$ 41.3			
P1790	$1\frac{3}{4}$ 44.5			
P1790A	$1\frac{7}{8}$ 47.6	2.86 72.6	3.50 88.9	76 34.5
P1790B	2 50.8			
P1790C	$2\frac{1}{8}$ 54.0			

Part Number	Hole Size	"A"	"B"	Wt/100 pcs
	In (mm)	In (mm)	In (mm)	Lbs (kg)
P1791	$2\frac{1}{4}$ 57.2	3.36 85.3	4.05 102.9	90 40.8
P1791A	$2\frac{3}{8}$ 60.3			
P1791B	$2\frac{1}{2}$ 63.5			
P1791C	$2\frac{5}{8}$ 66.7	3.86 98.0	4.75 120.7	109 49.4
P1792	$2\frac{3}{4}$ 69.9			
P1792A	$2\frac{7}{8}$ 73.0			
P1792B	3 76.2			
P1792C	$3\frac{1}{8}$ 79.4	4.36 110.7	5.125 130.2	130 59.0
P1793	$3\frac{1}{4}$ 82.6			
P1793A	$3\frac{3}{8}$ 85.7			
P1793B	$3\frac{1}{2}$ 88.9			
P1793C	$3\frac{5}{8}$ 92.1			
P1794	$3\frac{3}{4}$ 95.3	4.86 124.2	5.54 124.7	160 72.6
P1794A	$3\frac{7}{8}$ 98.4			
P1794B	4 101.6			
P1794C	$4\frac{1}{8}$ 104.8			
P1795	$4\frac{1}{4}$ 108.0	5.24 133.1	5.92 150.4	160 72.6
P1795A	$4\frac{3}{8}$ 111.1			
P1795B	$4\frac{1}{2}$ 114.3			

PATENTS PENDING

Strap Material: Electro-galvanized Steel (EG)
or Stainless Steel (SS)
Use With: All $1\frac{5}{8}$ " channel

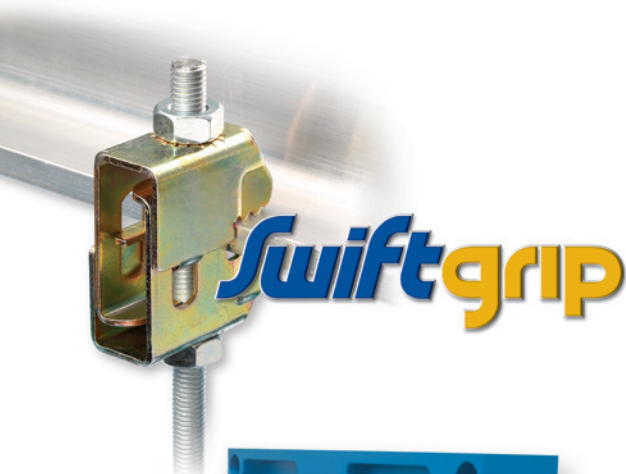
Other Unistrut® Products



Slot Adapter™



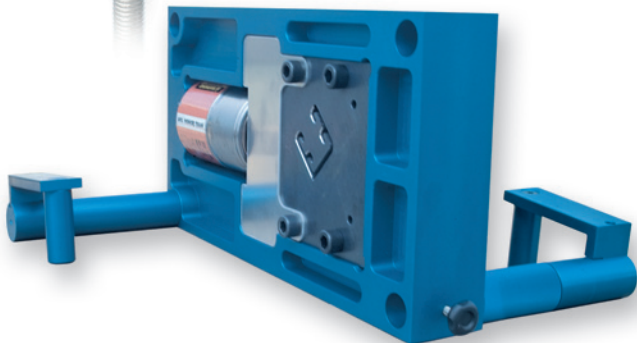
Cush-A-Grip®



Swiftgrip



UNIPier™
ROOFTOP PIPE SUPPORT SYSTEM



Cut-N-Strut™

4205 Elizabeth
Wayne, MI 48184
Phone: 800-521-7730
Fax: 734-721-4106
www.unistrut.com

tyco / Electrical &
Metal Products