

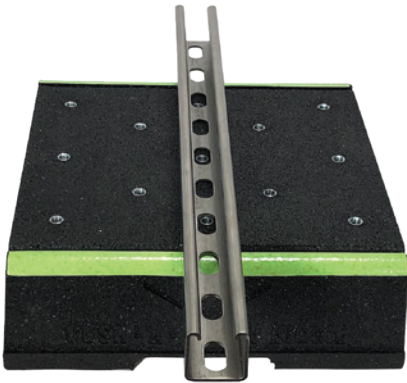


# Next Generation Cush-a-Block<sup>®</sup> Rooftop Support System

HVAC | Pipe & Conduit | Solar Racking | Rooftop Walkways



## The New “Biggie” Block



The channel for Cush-A-Block support assemblies includes a variety of options. The strut can be made in special lengths, finishes, and alloys including Aluminum, Stainless Steel both 304 & 316, PVC coated, Powder coated, Zinc Trivalent Chromium, Pre-Galvanized and Hot Dipped Galvanized.

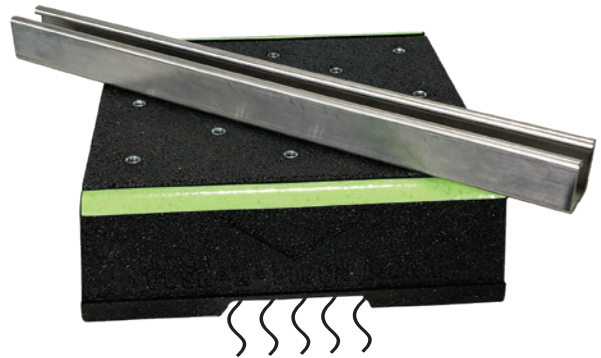
### Embedded Fasteners



**Quick Strut Change-Out**

- 100% Recycled Rubber Qualifies for LEED Credits
- Meets the Buy America Act and American Reinvestment Recovery Act
- Resistant to Freeze and Thaw

### Water Flow-through



**Helps Prevent Mold and Ice Dams**

- Dampens Vibrations
- Compatible with Most Rooftop Materials
- Eco-Green Reflective Safety Strip Won't Peel or Flake

Call ZSi-Foster at (800) 323-7053 or order now at [zsi-foster.com](http://zsi-foster.com)

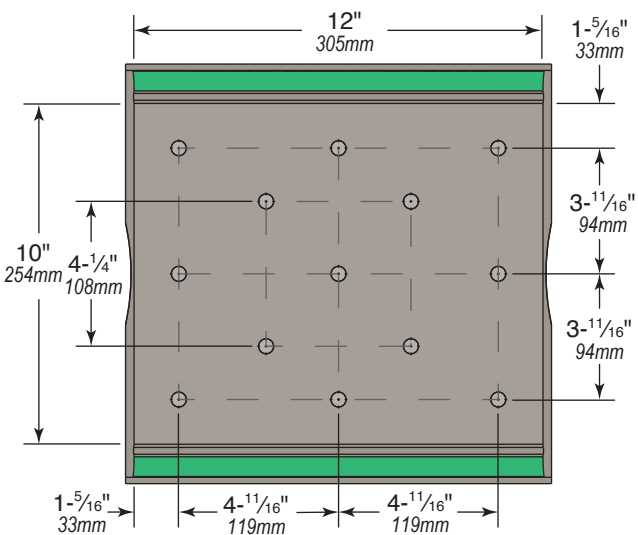
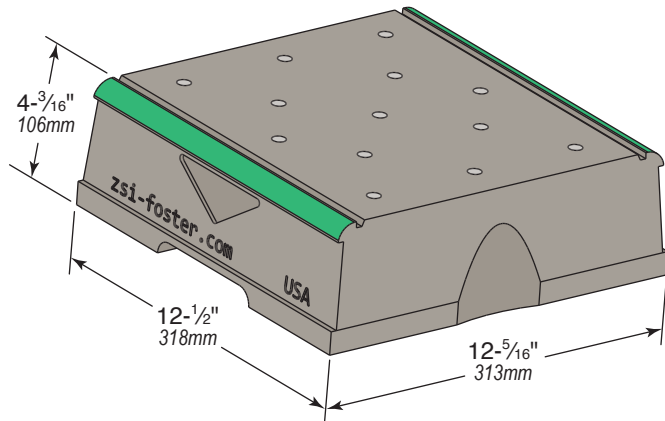
## ZSi-Foster

Canton, MI | La Mirada, CA | Murfreesboro, TN | Ocala, FL | Springfield, MO | Totowa, NJ  
Effective Oct. 23, 2020

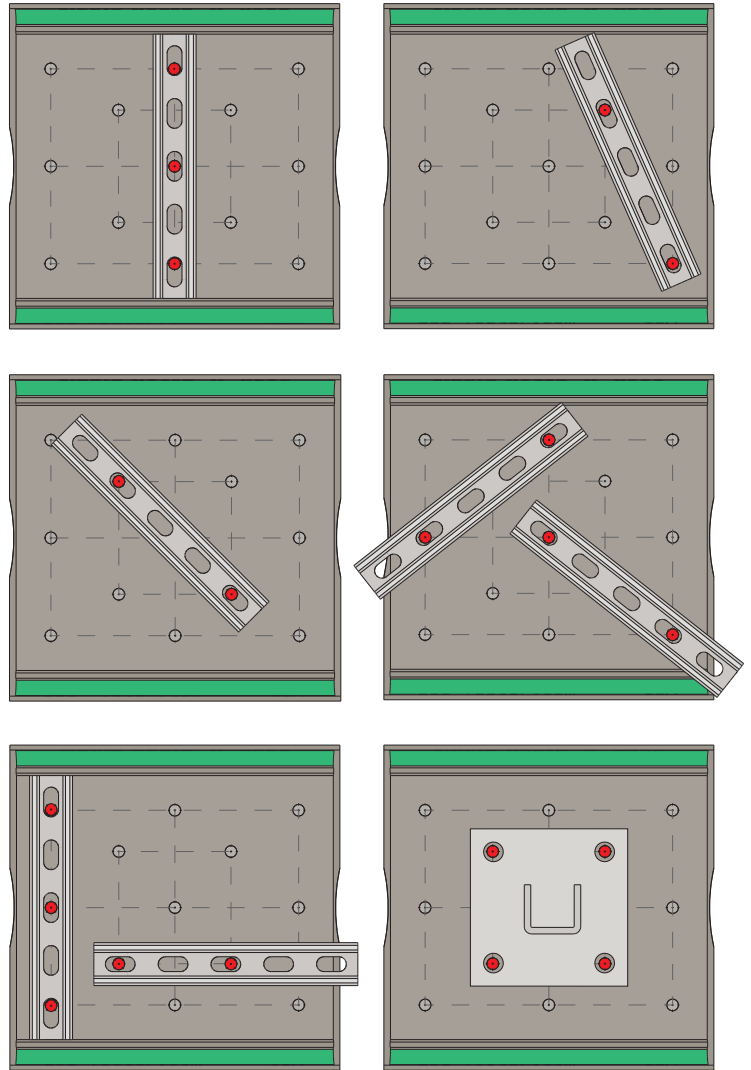




# Cush-A-Block "Biggie" Rooftop Support System



*Embedded Fastener Layout  
Provides an Amazing Variety of  
Channel or Fitting Options*



CBB "Biggie" Block Base		
Part No.	Weight Lbs (Kg)	Uniform Load Capacity Lbs (kN)*
CBB	16.5 (7.5Kg)	7,500 * (33.36 kN)

\* This load is only for the capacity of the components in this assembly. Please consult roofing manufacturer or engineer for roof load capacity.

**HVAC | Pipe & Conduit | Solar Racking | Rooftop Walkways**

Call ZSi-Foster at (800) 323-7053 or order now at [zsi-foster.com](http://zsi-foster.com)



**ZSi-Foster**

Canton, MI | La Mirada, CA | Murfreesboro, TN | Ocala, FL | Springfield, MO | Totowa, NJ

© Copyright 2020 ZSi-Foster / Printed & Designed in the USA / 10.20

