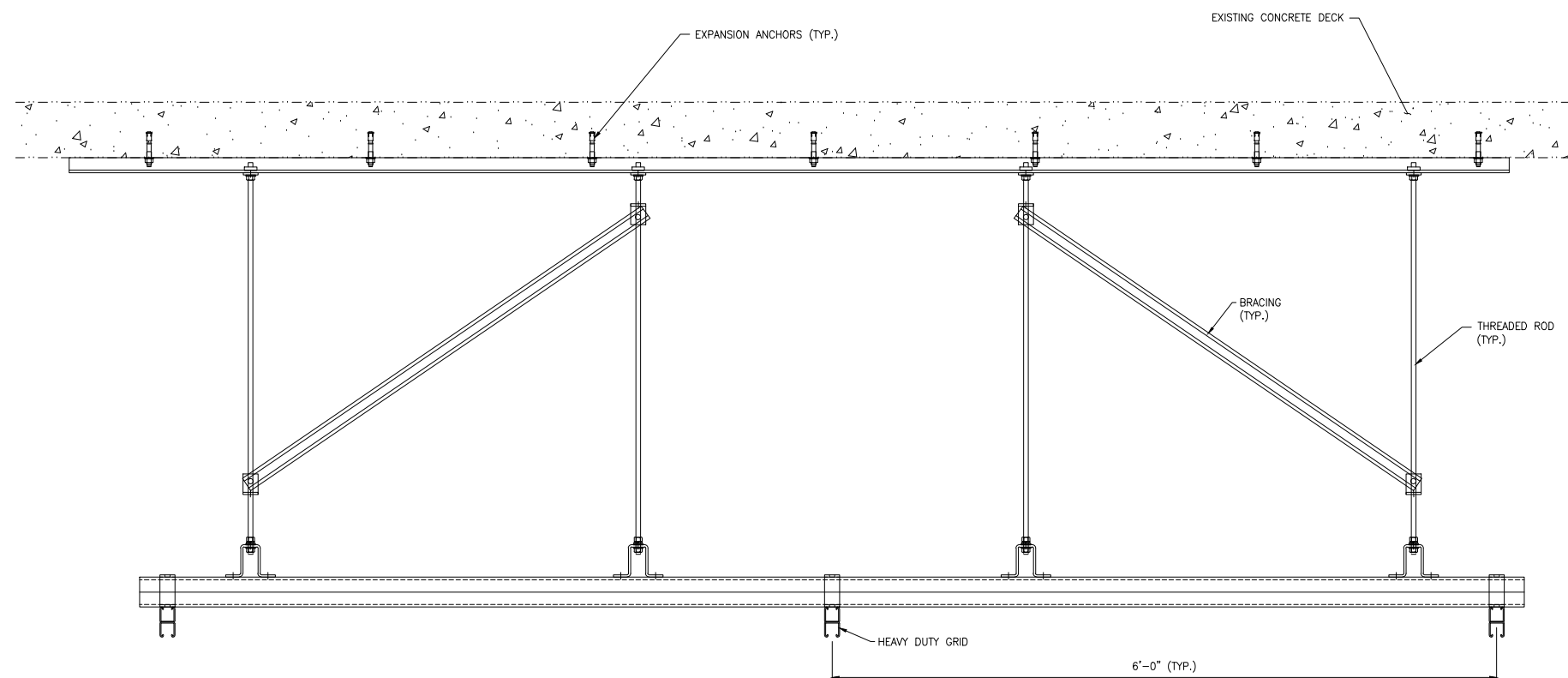
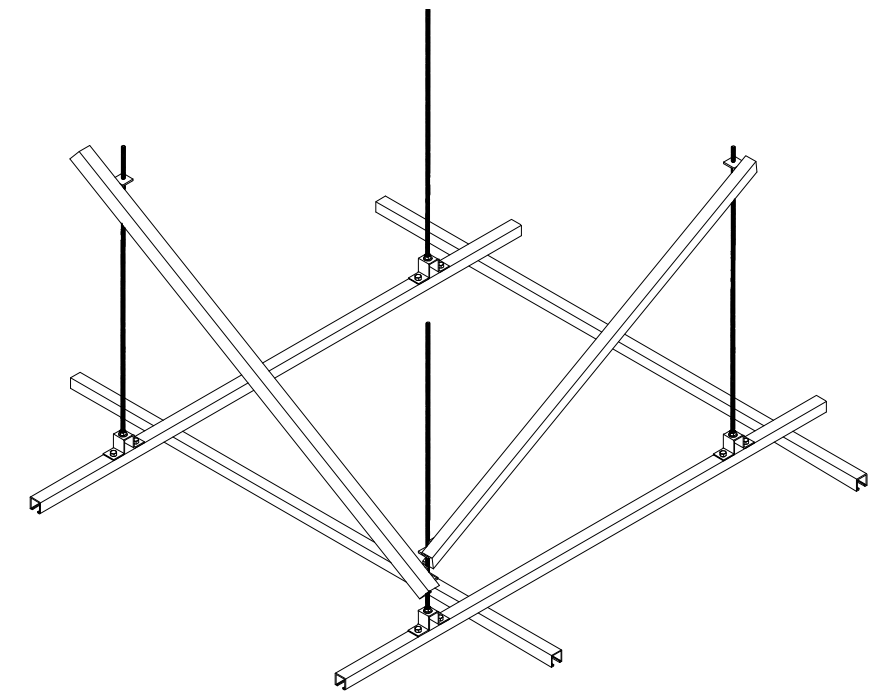


**VIEW 1**  
SCALE: 1 1/2"=1'-0"



**VIEW 2**  
SCALE: 1 1/2"=1'-0"



**TYPICAL GRID-PARTIAL ISOMETRIC**

NOT TO SCALE

NOE: ISOMETRIC VIEW IS FOR REFERENCE ONLY, AND MAY NOT MATCH THE THE PART NUMBER SHOWN

**PART# UGR-C-2P-66-HD**  
ATTACH TO CONCRETE DECK, LAPPED,  
6x6, HEAVY DUTY

COMMON FINISHES ARE PRE-GALVANIZED (PG)  
AND PERMA GREEN. OTHER MATERIAL AND FINISHES  
ARE AVAILABLE, CONTACT *UNISTRUT SERVICE COMPANY*  
FOR MORE INFORMATION

THE STANDARD DETAIL IS FOR REFERENCE ONLY, AND IS *NOT* CONSIDERED TO BE  
AN ENGINEERED SYSTEM UNLESS PURCHASED THROUGH UNISTRUT SERVICE COMPANY  
24400 SPERRY DR. WESTLAKE, OHIO 44145. STANDARD DETAILS ARE FOR DESIGN  
INTENT ONLY. ACTUAL CONDITIONS, INCLUDING BUT NOT LIMITED TO LOADING,  
ELEVATIONS, OVERALL SIZE, SPACING STRUCTURE, FIELD CONDITIONS, MEP  
INTERFERENCES, ETC CAN AND WILL VARY. CONTACT UNISTRUT SERVICE COMPANY  
AT 440-348-9450, OR WWW.UNISTRUTOHIO.COM FOR A SITE SPECIFIC QUOTE.

**NOT FOR  
CONSTRUCTION**

**Unistrut Service Company**  
24400 Sperry Drive  
Cleveland, OH 44145  
Phone: 440-348-9450  
1-800-621-2508  
Fax: 440-348-9455  
E-Mail: info@UnistrutOhio.com

CLIENT:

PROJECT DESCRIPTION:  
**GRID SYSTEMS**

DRAWING TITLE:  
**UGR-C-2P-66-HD**

REV. NO.	DATE	REV. DESCRIPTION	DRAWN BY:	DATE:
0			AMK	3/10/17
			CHECKED BY:	DATE:
			M.J.F.	3/15/17
			OTHER:	DATE:

PROJECT NO.	DWG NO.	REV
7002	-S	0
SCALE: AS NOTED		