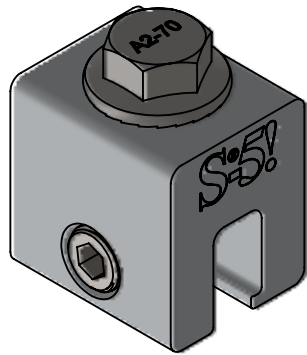
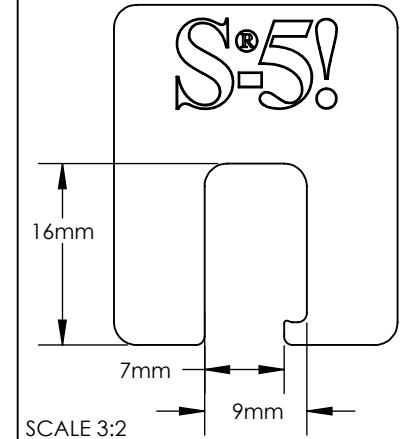
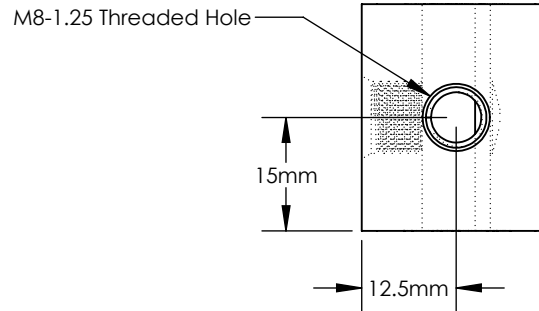


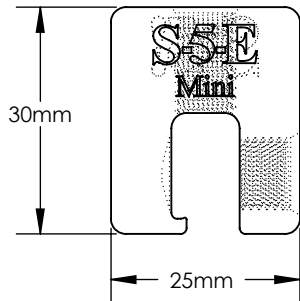
S-5-E Mini



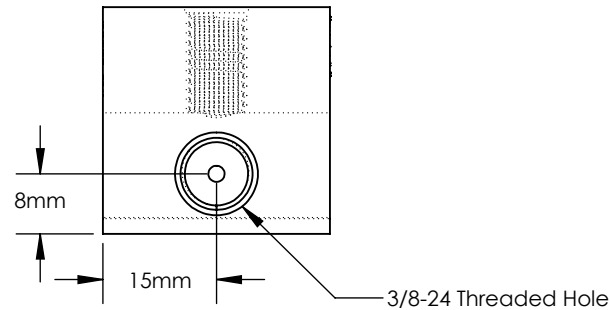
Top



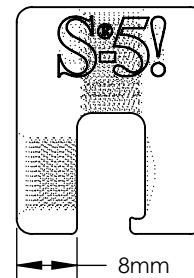
Back



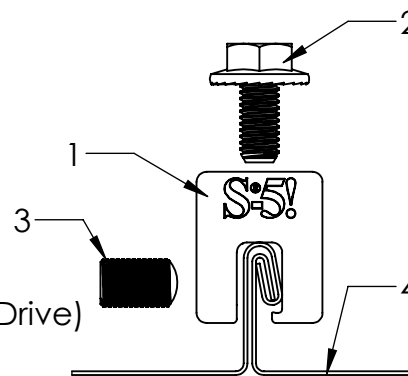
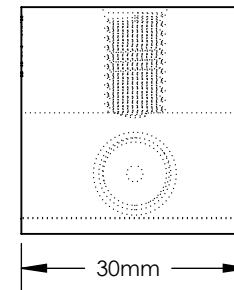
Left



Front



Right



General Notes:

1. S-5-E Mini Clamp
2. M8-1.25 Stainless Steel Hex Flange Bolt (13mm Socket)
3. 3/8-24 Stainless Steel Round Point Setscrew (3/16 Hex Drive)
4. Example roof

FOR STANDING SEAM SPECIFIC MECHANICAL LOAD TEST INFORMATION AND CLAMP INSTALLATION INFORMATION PLEASE VISIT: WWW.S-5.COM

MATERIAL: 6061 T6	 METAL ROOF INNOVATIONS, LTD. 8655 TABLE BUTTE RD COLORADO SPRINGS, CO 80908 719-495-0518 719-495-0045(FAX)		
EST ASSEMBLY WEIGHT 66.46 g			
SUPPLIED HARDWARE: M8-1.25 x 16 mm Bolt 3/8-24 x .500" Setscrew	TITLE S-5-E Mini		
SCALE: 1:1	DRAWING NO. E03-B-1-D	DRAWN BY Kati Kadakas	DATE 10/12/2016
EST. WEIGHT: Clamp: 46.27 g Setscrew: 4.54 g Bolt: 15.65 g	S-5!® PRODUCTS ARE PROTECTED BY MULTIPLE U.S. AND FOREIGN PATENTS. VISIT OUR WEBSITE AT WWW.S-5.COM FOR COMPLETE INFORMATION ON PATENTS AND TRADEMARKS.		