

S-5!®

The Right Way!™

NEW
DESIGN

The concept of combining PV arrays with standing seam metal roofing is growing—for good reasons. Metal roofs have a life expectancy of more than 40 years. Shouldn't the mounting system last as long? With S-5! zero-penetration attachment technology and PV Kit 2.0, the solarized metal roof is the most sustainable system available --and without compromising roof warranties! PV Kit 2.0 is the also the best solution for attaching PV modules directly to any exposed fastener metal roof.

S-5! now introduces a new and improved PV Kit, boasting lower installation time and cost for PV flush-mounting. The kit comes preassembled with MidGrab or EdgeGrab for easier and more efficient installation. A single tool drives the top bolt, eliminating several installation steps. The PV Kit 2.0 features more aggressive bonding teeth for better grounding. Fewer lugs/ground wires required .

New from the metal roof experts: The S-5 PV Kit 2.0 is designed to save you time and money —

The Right Way™ to install solar to any metal roof.

PV Kit™ 2.0 Features:

- Preassembled components save time and money
- Versatile: same kit for most module thicknesses
- Only one tool needed for installation
- Installs with module, reducing lay-out time
- All non-corrosive aluminum and stainless steel
- Single-piece EdgeGrab installs with ease
- Added slots for wire tie-off
- Low profile hardware provides flush, clean finish
- Available in black by special order
- 1" gap between modules, allowing load reduction per ASCE-7
- UL 2703 Listed (Pending)

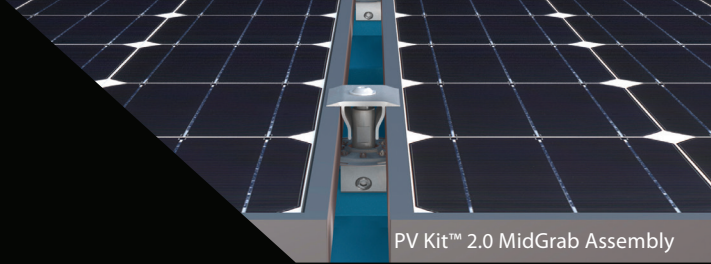
The right way to attach almost anything to metal roofs!

PV Kit™ 2.0 MidGrab or EdgeGrab



888-825-3432 | www.S-5.com |





PV Kit™ 2.0: New Design



The PV Kit 2.0 is furnished with the hardware shown at right, (Attachment clamp or bracket supplied separately.) PV Kit 2.0 is compatible with most common metal roofing materials, including aluminum, steel, copper, zinc and stainless.

The Module Placement Bevel Guide makes the module placement easier. The mounting disk is multi-directional and rails are not required. The PV grab ears are broader for ease of installation and secure module engagement.

PV Kit fits a wide array of module thicknesses. When combined with S-5! mini clamps, the PV Kit attaches to all standing seam metal roofs, regardless of profile or material. When paired with other S-5! products, the PV Kit 2.0 also works on all trapezoidal ribbed and corrugated metal roofs.

The MidGrab can also be used at an edge condition, if desired.

Modules can be easily installed from ridge-down or eave-up.

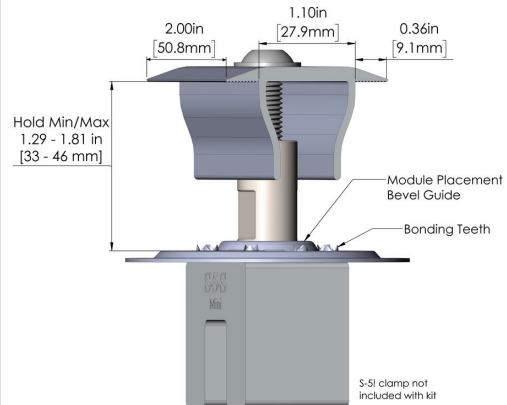
More slots for wire securement.

Flush finish with module surface.

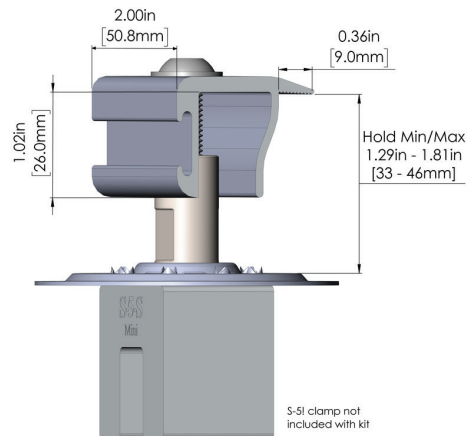
The PV Kit 2.0 continues to be the easiest, most cost-effective way to install solar panels directly to standing seam and exposed fastener metal roofs, remaining the most popular choice worldwide.

For more detailed information including specifications, installation instructions, and CAD drawings, visit www.S-5.com or your PV Kit 2.0 distributor.

PV Kit 2.0™ EdgeGrab



PV Kit 2.0™ MidGrab



** Patents pending. Certain components featured in illustration may not be UL listed.*

Due to the variety of attachment needs, S-5-PV Kit 2.0 are sold separately from S-5! clamps.

S-5!® Warning! Please use this product responsibly!

The independent lab test data found at www.S-5.com can be used for load-critical designs and applications.

Products are protected by multiple U.S. and foreign patents. For published data regarding holding strength, fastener torque, patents, and trademarks, visit the S-5! website at www.S-5.com. Copyright 2018, Metal Roof Innovations, Ltd. S-5! products are patent protected.

Copyright 2018, Metal Roof Innovations, Ltd. Version 052118

Distributed by:



UNISTRUT
SERVICE COMPANY

24400 Sperry Drive
Cleveland OH 44145
www.unistrutohio.com
Phone: 440-348-9460