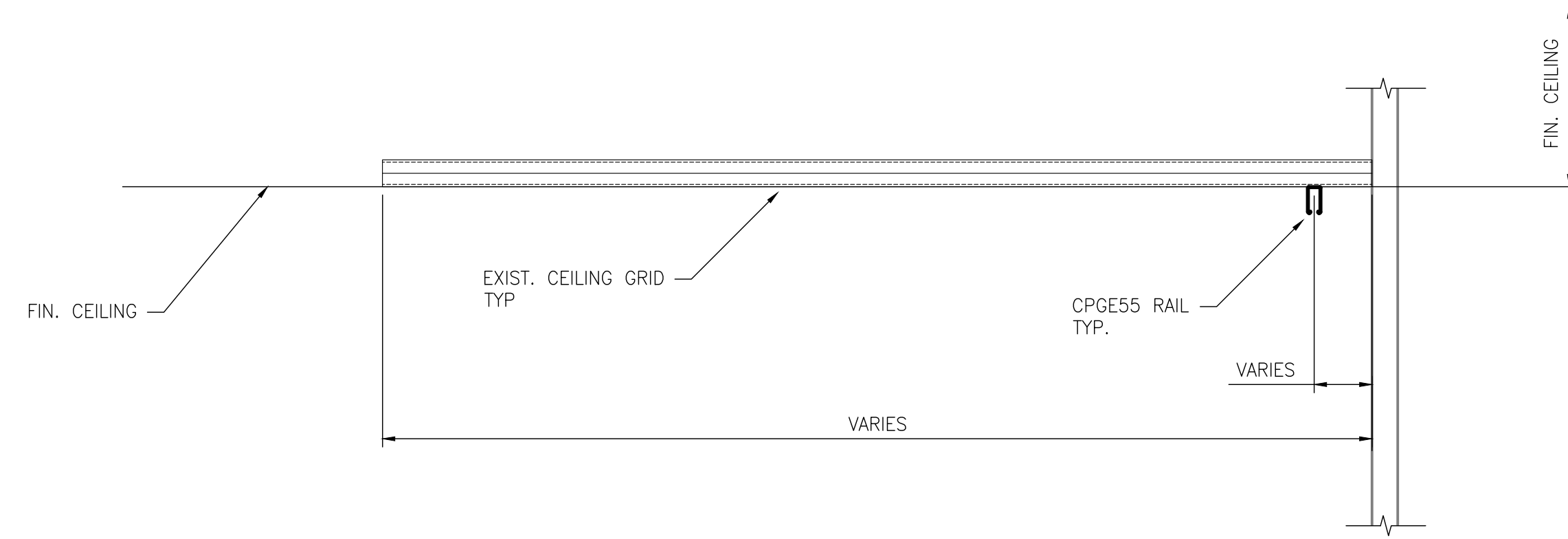


UNISTRUT REFLECTED CEILING PLAN FOR CPGE55

SCALE: 3/8"=1'-0"

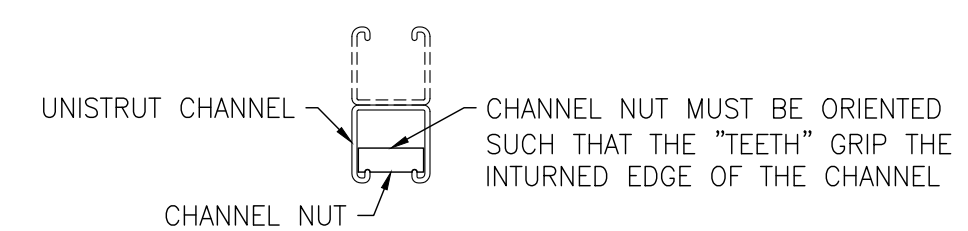
FIN CLG: VERIFY IN FIELD



SECTION

SCALE: 3/4"=1'-0"

A
ST.1



UNISTRUT CHANNEL NUT DETAIL

SCALE: 3"=1'-0"

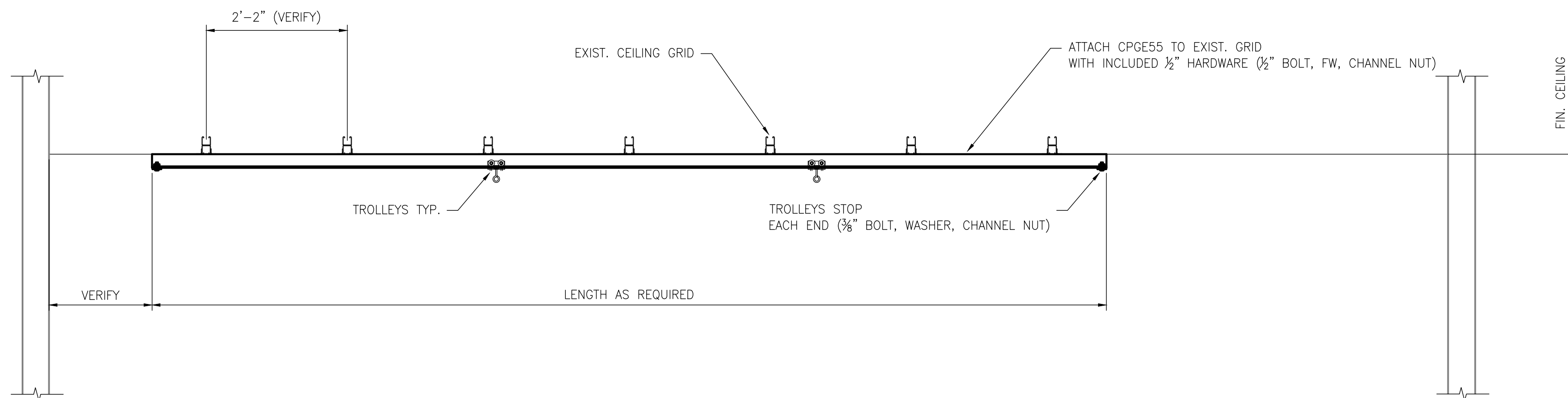
APPROVED FOR FABRICATION

COMPANY: _____
 NAME: _____
 TITLE: _____
 DATE: _____

NOTES:

1. LOAD CRITERIA: UNISTRUT SYSTEM DESIGNED FOR CABLES, 350 LB DEAD LOAD
2. ALL BOLTED CONNECTIONS INTO COLD-FORMED CHANNEL MEMBERS WITH CHANNEL NUTS SHALL BE TIGHTENED TO:
 - a. 19 FT-LBS FOR 3/8" BOLTS
 - b. 50 FT-LBS FOR 1/2" BOLTS
 - c. 100 FT-LBS FOR 5/8" BOLTS,
3. ALL CONNECTIONS TO BAR JOIST TO BE WITHIN 6" OF PANEL POINTS
4. EXISTING STRUCTURE TO BE CHECKED BY OTHERS. IT IS THE RESPONSIBILITY OF OWNER/GC TO CHECK FOR ANY EMBEDDED CONDUIT, POST-TENSION CABLES, ETC, WHERE APPLICABLE.
5. IT IS THE RESPONSIBILITY OF OWNER/GC TO CHECK FOR INTERFERENCES WITH MEP, INCLUDING SOFFITS, DUCTWORK, ETC, WHERE APPLICABLE. PLEASE PAY PARTICULAR ATTENTION TO LIGHTING.
6. THIS DETAIL AND CONCEPT ARE THE PROPERTY OF UNISTRUT SERVICE COMPANY OF OHIO AND SHALL NOT BE REPRODUCED, COPIED OR USED IN ANY MANNER WITHOUT WRITTEN CONSENT OF UNISTRUT SERVICE COMPANY OF OHIO OF CLEVELAND OHIO.
7. UNISTRUT SERVICE COMPANY OF OHIO SHALL HOLD NO WARRANTY ON THE INSTALLATION OF THE SYSTEM UNLESS IT HAS BEEN INSTALLED BY UNISTRUT SERVICE COMPANY OF OHIO. INSTALLING CONTRACTOR SHALL WARRANTY INSTALLATION OF SYSTEM.

**FOR
 APPROVAL
 ONLY**
 THIS SUPERSEDES ALL
 PREVIOUS REVISIONS



SECTION

SCALE: 3/4"=1'-0"

B
ST.1

Unistrut Service Company of Ohio
 24400 Sperry Drive
 Cleveland, OH 44145
 Phone: 440-348-9450
 1-800-621-2508
 Fax: 440-348-9455
 E-Mail: Info@UnistrutOhio.com

CLIENT: _____

PROJECT DESCRIPTION:
TYPICAL RAD ROOM PLAN
 CPGE55

DRAWING TITLE:
RAD ROOM PLANS

REV. NO.	DATE	REV. DESCRIPTION	DRAWN BY:	DATE:
			CHECKED BY:	DATE:
			OTHER:	DATE:

PROJECT NO.	DWG NO.	REV
	-S1.0	0
SCALE: AS NOTED	SHEET	1 OF 1