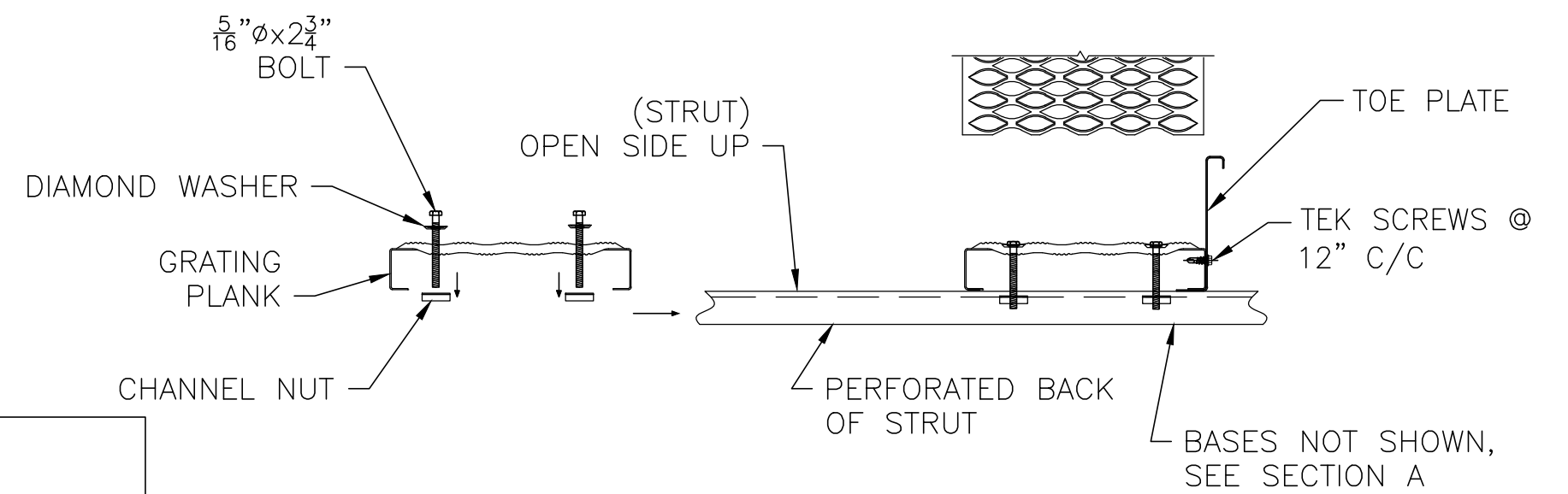
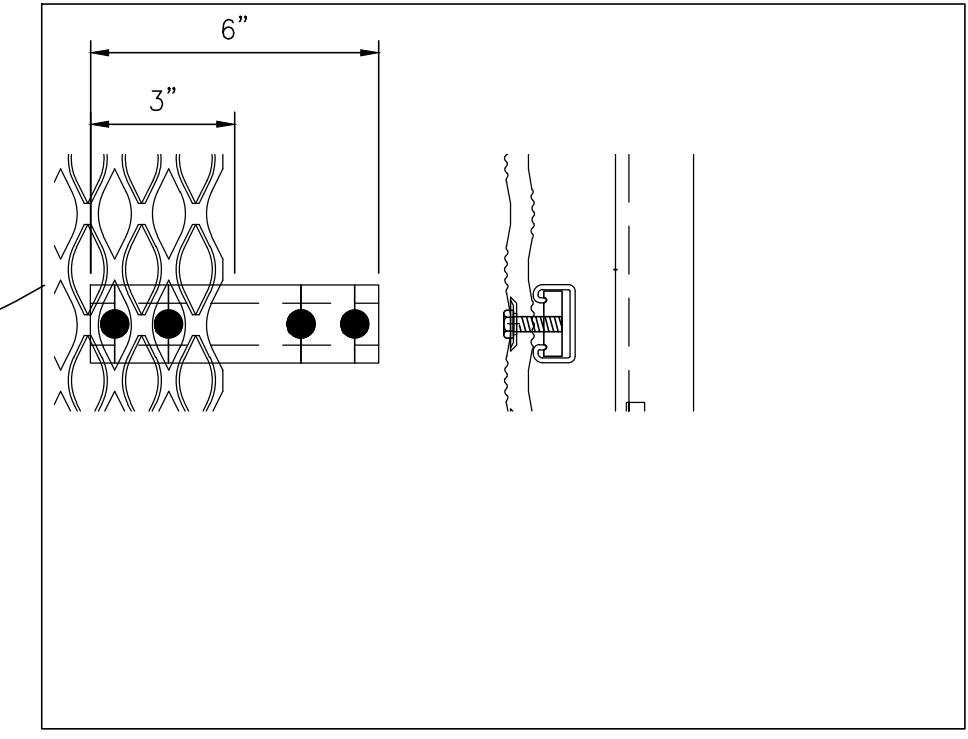
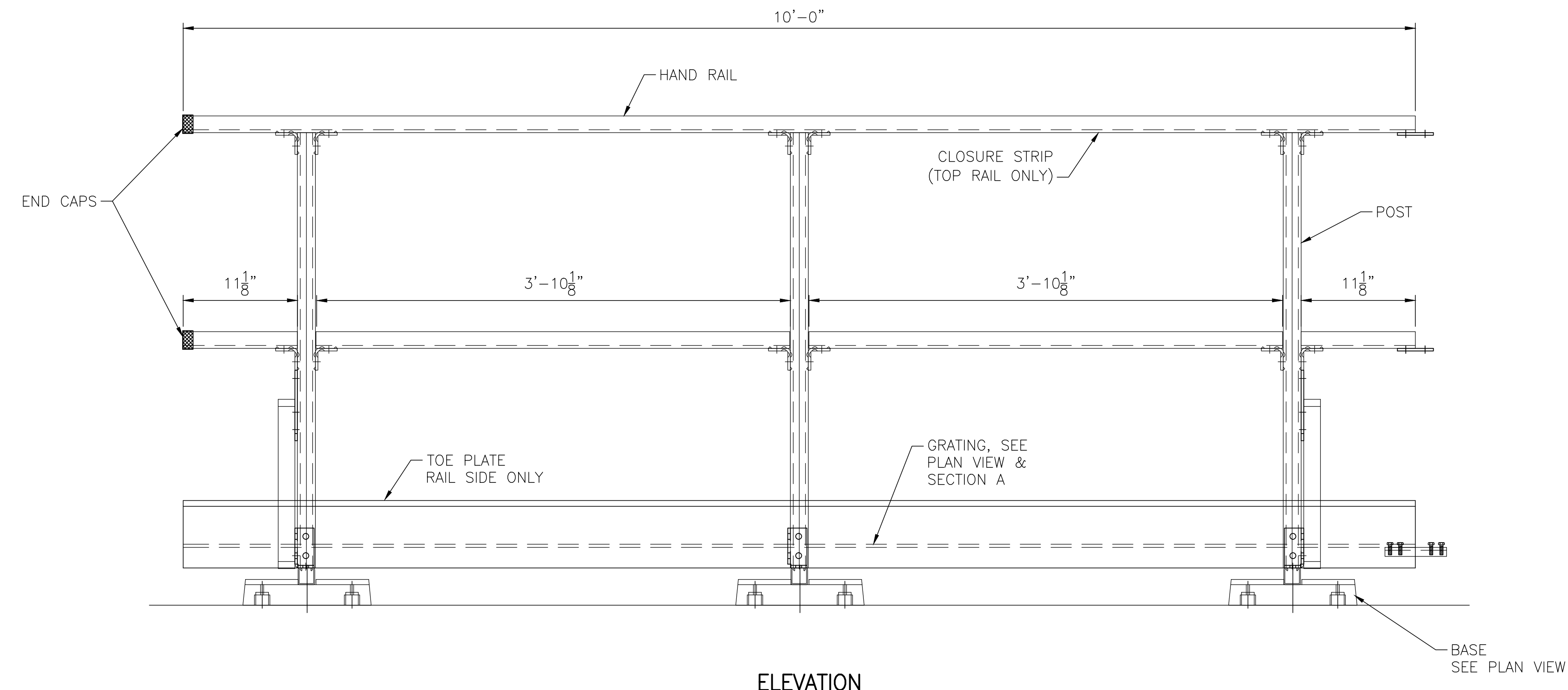


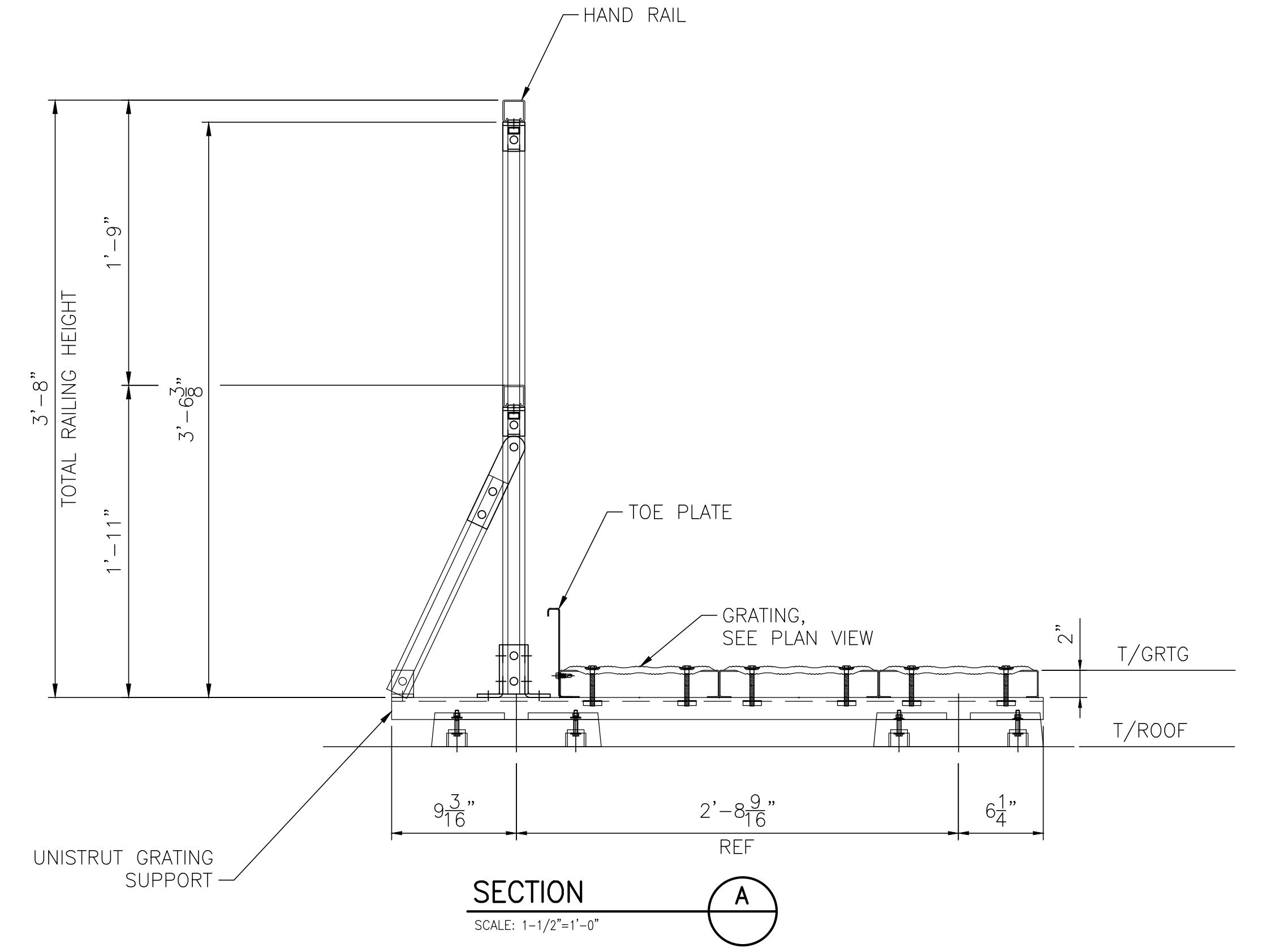
PLAN



ATTACHING GRATING PLANKS TO FRAMING  
NOT TO SCALE



ELEVATION



SECTION A  
SCALE: 1-1/2"=1'-0"

REFERENCE ONLY

STANDARD UNISTRUT WALKWAY DETAIL ON FLAT ROOF W/ 1-RAIL  
PART NO. RW1HRFRWB (RUBBER BASES)  
SCALE: 1-1/2"=1'-0" (WHEN PLOTTED FULL SIZE)

REV. NO.	DATE	REV. DESCRIPTION	DRAWN BY:	DATE:	PROJECT NO.	DWG NO.	REV
0	X		AMK	10/8/2018	7001	RW1HRFRWB-1	0
			CHECKED BY:	DATE:	SCALE: AS NOTED SHEET 1 OF 2		
			OTHER:	DATE:			

**Unistrut Service Company**  
24400 Sperry Drive  
Cleveland, OH 44145  
Phone: 440-348-9450  
1-800-621-2508  
Fax: 440-348-9455  
E-Mail: Info@UnistrutOhio.com

CLIENT:  
**UNISTRUT SERVICE COMPANY**  
PROJECT DESCRIPTION:  
**USC**  
**WESTLAKE, OHIO**

DRAWING TITLE:  
**STD 1-RAIL ON FLAT RW1HRFRWB DETAILS**