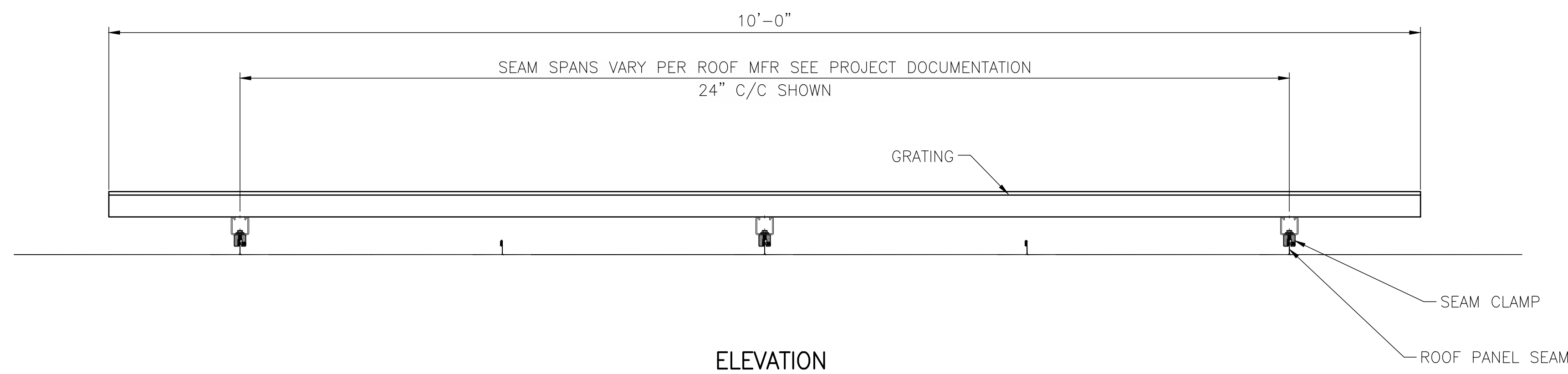
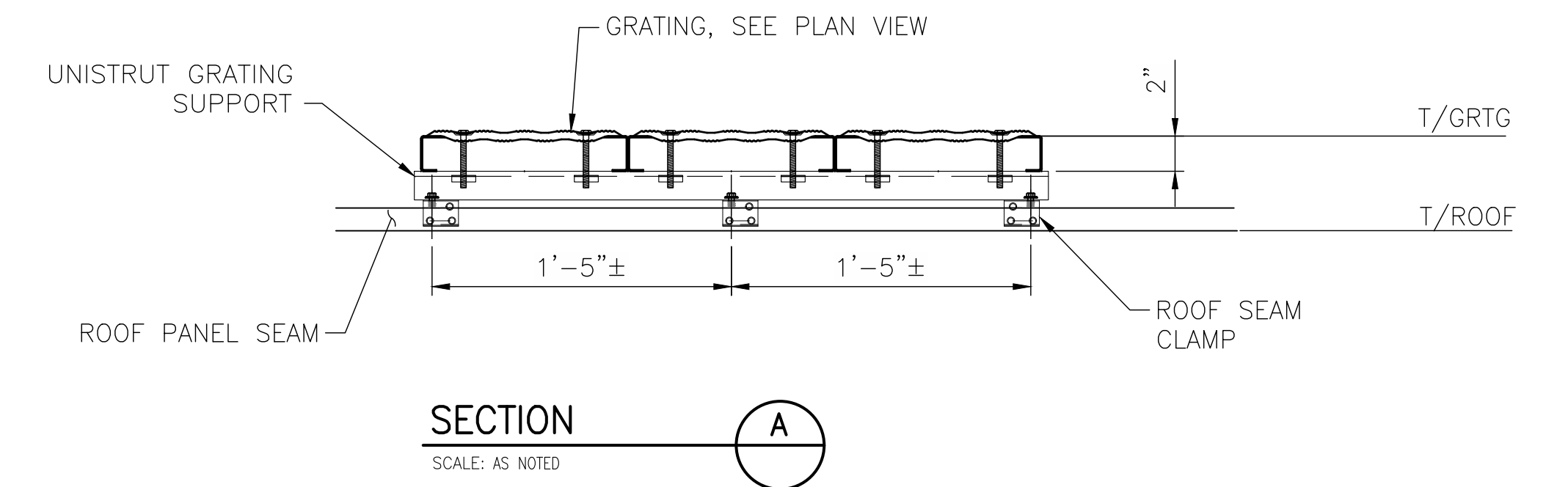


PLAN



ELEVATION



SECTION A

STANDARD UNISTRUT WALKWAY DETAIL PERPINDICULAR TO STANDING SEAMS W/ NO-RAIL
PART NO. RWOHRSSPE

SCALE: 1 1/2" = 1'-0" (WHEN PLOTTED FULL SIZE)

REFERENCE ONLY

Unistrut Service Company
24400 Sperry Drive
Cleveland, OH 44145
Phone: 440-348-9450
1-800-621-2508
Fax: 440-348-9455
E-Mail: Info@UnistrutOhio.com

CLIENT:
UNISTRUT SERVICE COMPANY

PROJECT DESCRIPTION:
USC
WESTLAKE, OHIO

DRAWING TITLE:
STD. 0-RAIL PERP TO SEAM RWOHRSSPE DETAILS

REV. NO.	DATE	REV. DESCRIPTION	DRAWN BY:	DATE:	PROJECT NO.	DWG NO.	REV
0	X		AMK	10/8/2018	7001	RWOHRSSPE-1	0
			CHECKED BY:	DATE:	SCALE: AS NOTED SHEET 1 OF 1		
			OTHER:	DATE:			