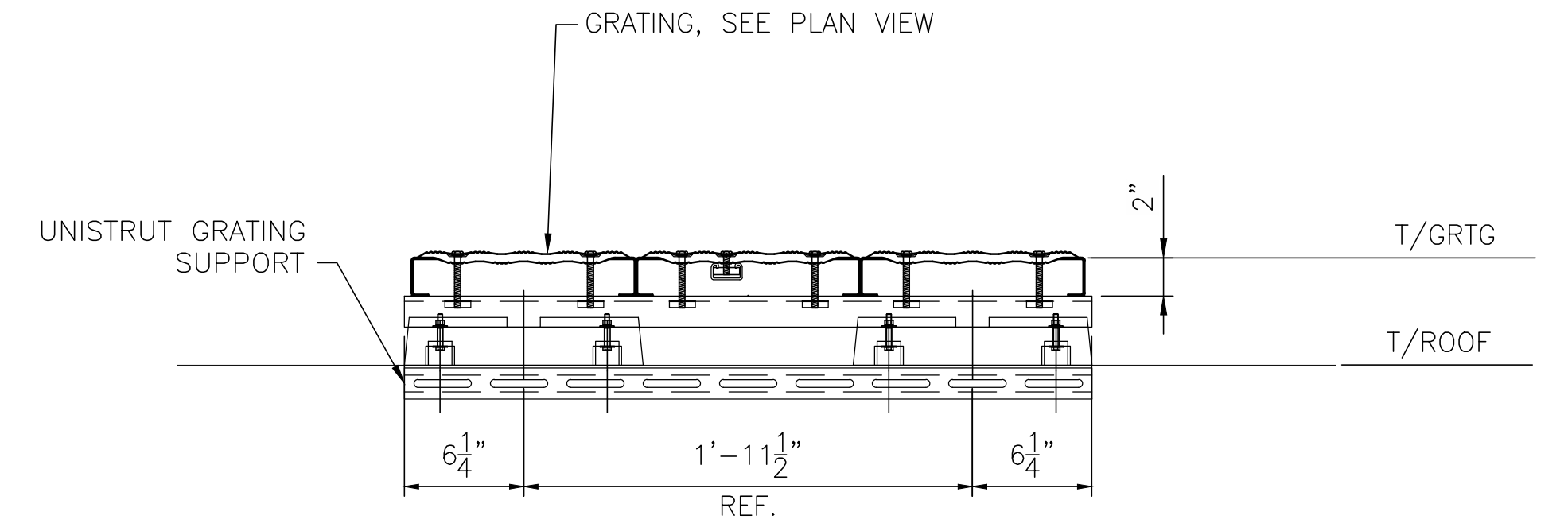
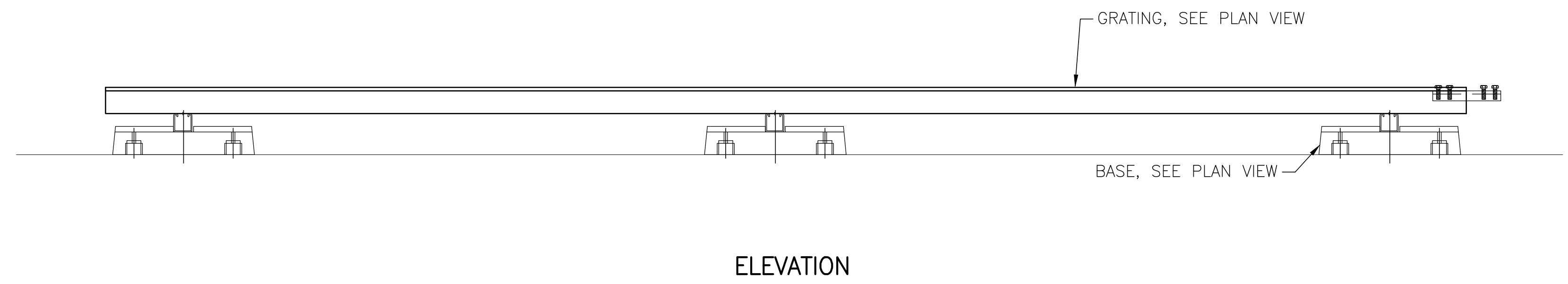
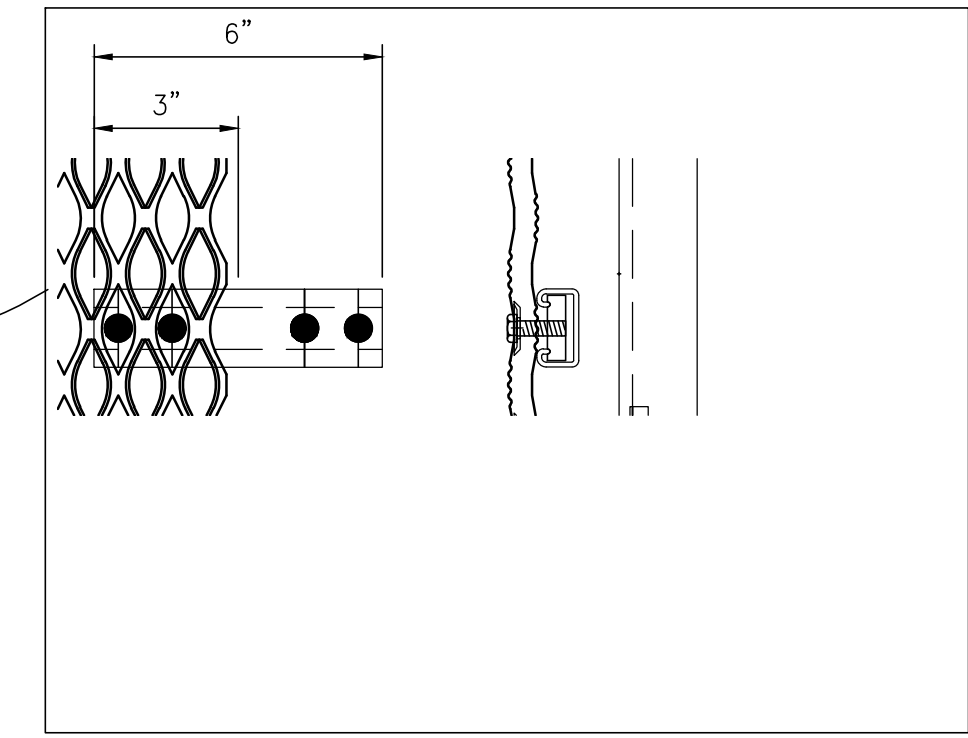
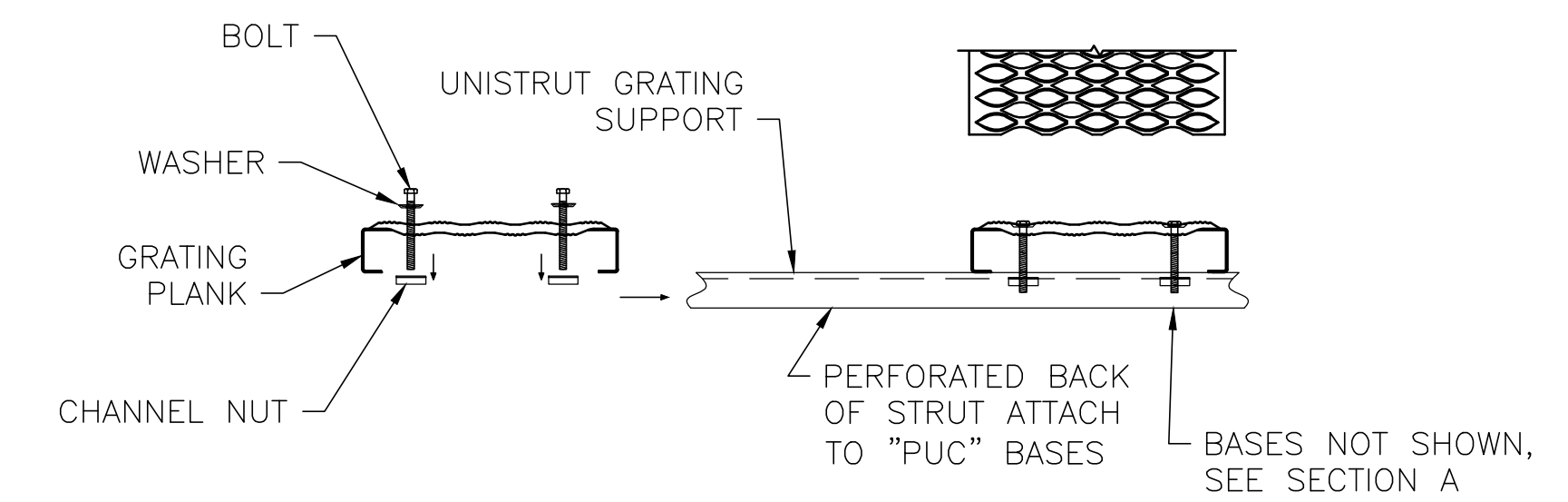


12 1/2" Ø RUBBER BASE
TYP OF 6



SECTION **A**
SCALE: AS NOTED

STANDARD UNISTRUT WALKWAY PLAN ON FLAT ROOF W/ NO RAILS
PART NO. RWOHRFRWB (RUBBER BASES)
SCALE: 1-1/2"=1'-0" (WHEN PLOTTED FULL SIZE)

REFERENCE
ONLY

Unistrut Service Company
24400 Sperry Drive
Cleveland, OH 44145
Phone: 440-348-9450
1-800-621-2508
Fax: 440-348-9455
E-Mail: Info@UnistrutOhio.com

CLIENT:
UNISTRUT SERVICE COMPANY
PROJECT DESCRIPTION:
USC
WESTLAKE, OHIO

DRAWING TITLE:
STD 0-RAIL ON FLAT (RWOHRFRWB) DETAILS

REV. NO.	DATE	REV. DESCRIPTION	DRAWN BY:	DATE:	PROJECT NO.	DWG NO.	REV
0	X		AMK	10/8/2018	7001	RWOHRFRWB-1	0
			CHECKED BY:	DATE:	SCALE: AS NOTED SHEET 1 OF 1		
			OTHER:	DATE:			