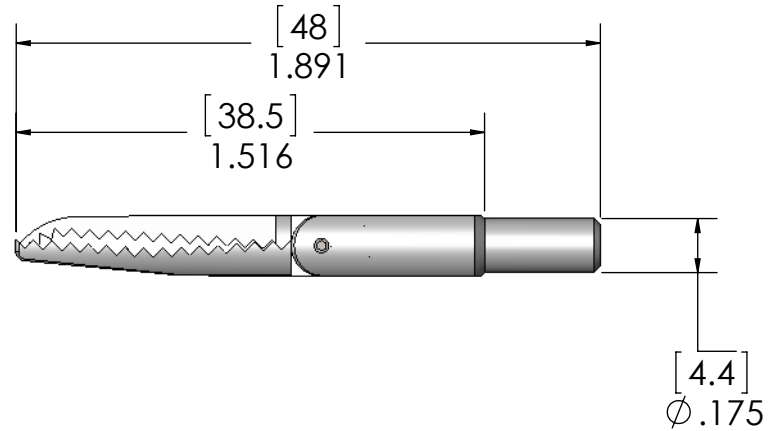
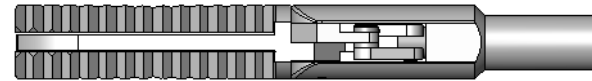
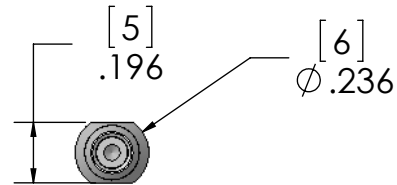
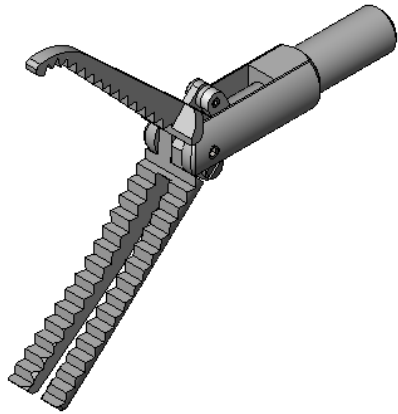


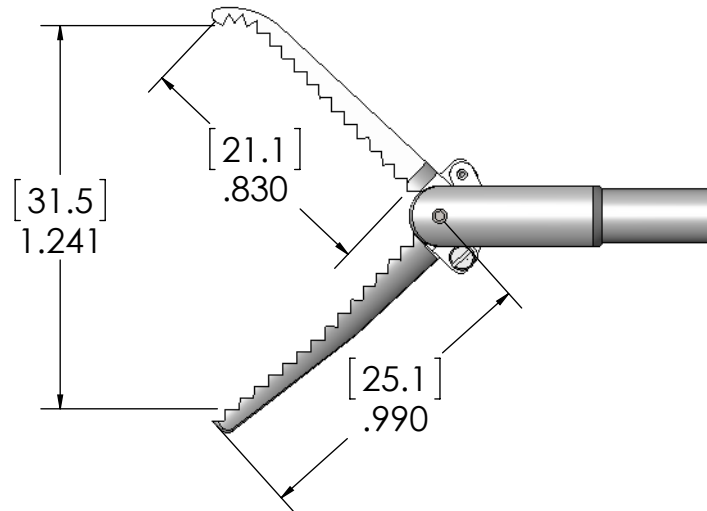


6mm OD FORK AND TINE RETRIEVAL TOOL



Model Numbers:

- EM13894 – 6mm x 11.5'
- EM10630 – 6mm x 15'
- EM90140 – 6mm x 25'
- EM19417 – 6mm x 33'
- EM19418 – 6mm x 40'
- EM19211 – 6 mm x 50'



CLICK HERE TO VIEW ON OUR WEBSITE

DWG-121194
 Drawing created on DEC. 12/01/14
 Specifications are subject to change without notice.

DIMENSIONS ARE IN INCHES
 STANDARD TOLERANCES UNLESS OTHERWISE SPECIFIED ARE:
 0 - 0.125 ± 0.002, 0.125 - 0.625 ± 0.004,
 0.625 - 1.188 ± 0.006, 1.188 - 4.000 ± 0.008,
 ANGULAR ± 0.5° FRACTIONAL ± N/A

