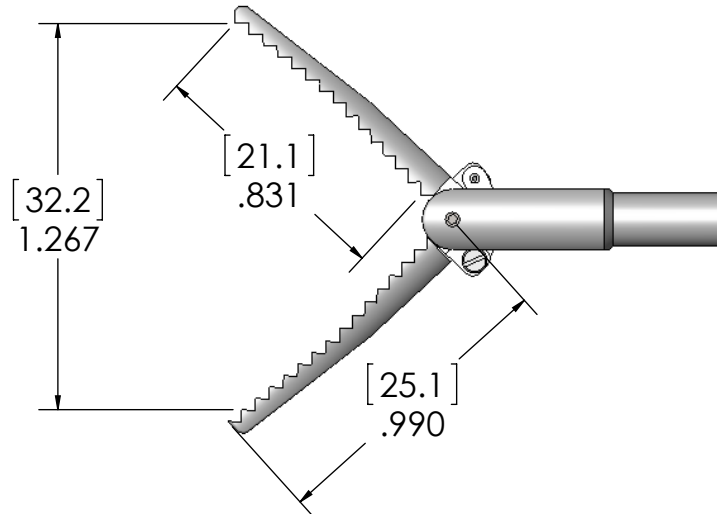
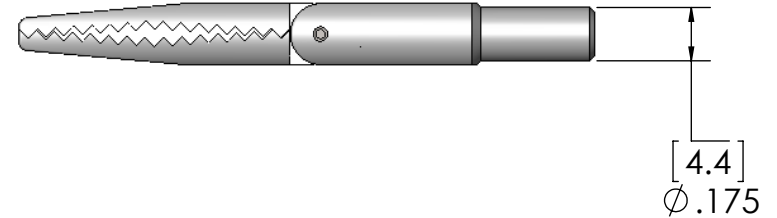
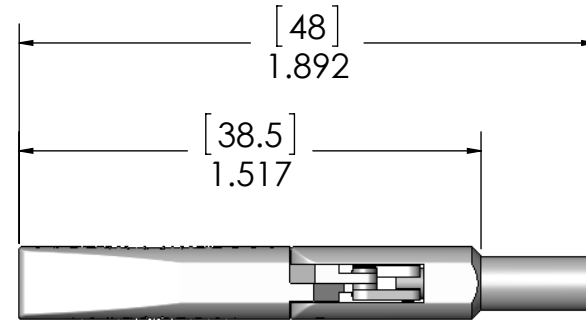
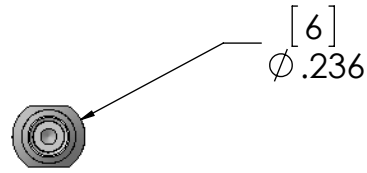
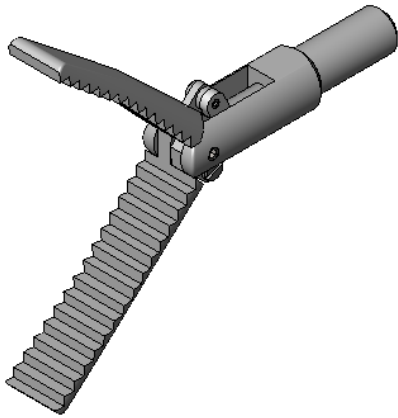




6mm OD GRIPPING PLIERS RETRIEVAL TOOL



Model Numbers:

- EM41266 – 6mm x 11.5'
- EM10635 – 6mm x 15'
- EM16122 – 6mm x 25'
- EM19442 – 6mm x 33'
- EM19443 – 6mm x 40'
- EM19212 – 6mm x 50'

DWG-121195
 Drawing created on DEC. 12/01/14
 Specifications are subject to change without notice.

DIMENSIONS ARE IN INCHES
 STANDARD TOLERANCES UNLESS
 OTHERWISE SPECIFIED ARE:
 0 - 0.125 ± 0.002, 0.125 - 0.625 ± 0.004,
 0.625 - 1.188 ± 0.006, 1.188 - 4.000 ± 0.008,
 ANGULAR ± 0.5° FRACTIONAL ± N/A

CLICK HERE TO VIEW
ON OUR WEBSITE

