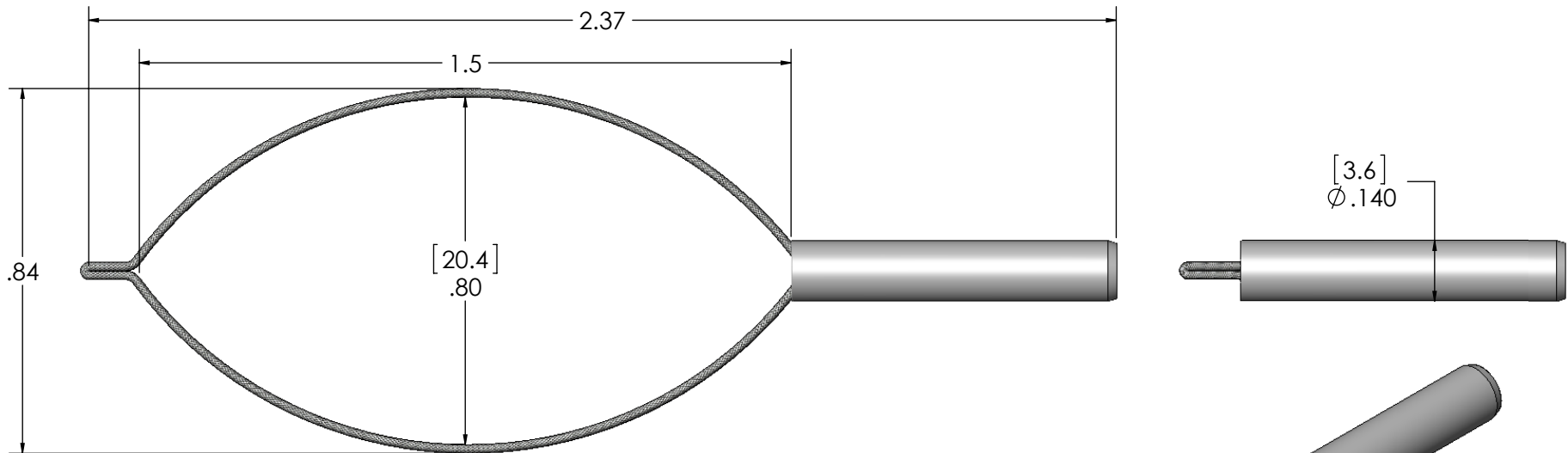




# 4mm OD SNARE RETRIEVAL TOOL



[CLICK HERE TO VIEW  
ON OUR WEBSITE](#)

**Model Numbers:**

- EM16672 – 4mm x 11.5'
- EM90273 – 4mm x 15'
- EM16673 – 4mm x 25'
- EM19427 – 4mm x 33'
- EM19428 – 4mm x 40'
- EM17694 – 4mm x 50'

DWG-121199  
 Drawing created on DEC. 12/01/14  
 Specifications are subject to change without notice.

**DIMENSIONS ARE IN INCHES**  
 STANDARD TOLERANCES UNLESS  
 OTHERWISE SPECIFIED ARE:  
 0 - 0.125 ± 0.002, 0.125 - 0.625 ± 0.004,  
 0.625 - 1.188 ± 0.006, 1.188 - 4.000 ± 0.008,  
 ANGULAR ± 0.5° FRACTIONAL ± N/A

