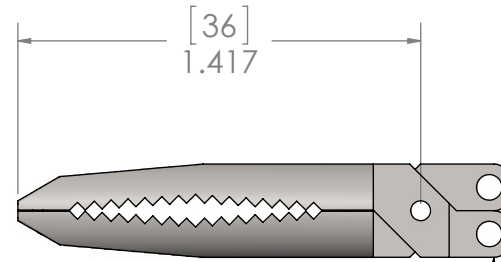
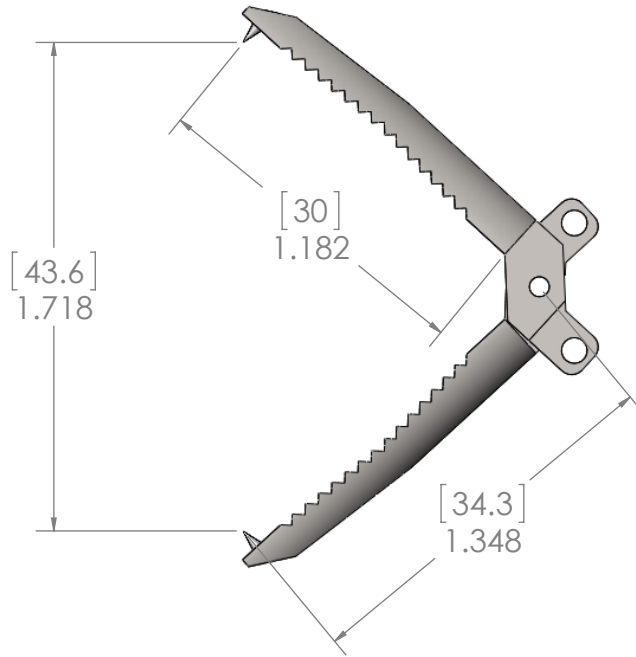


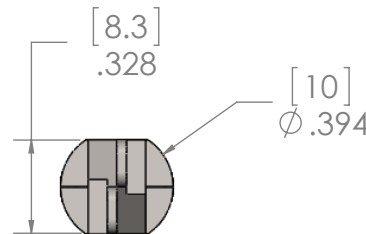
10mm OD VIPER RETRIEVAL TOOL



BALANCE OF HEAD PARTS NOT SHOWN TO BE ADDED TO DWG

Model Numbers:

- EM13895 – 10mm x 11.5'
- EM10650 – 10mm x 15'
- EM10651 – 10mm x 25'
- EM19437 – 10mm x 33'
- EM19438 – 10mm x 40'
- EM17693 – 10mm x 50'



[CLICK HERE TO VIEW ON OUR WEBSITE](#)

DWG-121193
 Drawing created on DEC. 08/11/11
 Specifications are subject to change without notice.

DIMENSIONS ARE IN INCHES
 STANDARD TOLERANCES UNLESS OTHERWISE SPECIFIED ARE:
 0 - 0.125 ± 0.002, 0.125 - 0.625 ± 0.004,
 0.625 - 1.188 ± 0.006, 1.188 - 4.000 ± 0.008,
 ANGULAR ± 0.5° FRACTIONAL ± N/A

