

WAT-05U2M 1/2.8" USB2.0 Full HD Wearable Camera

Compact water resistant camera (Dimensions: H30×W30×D22mm)

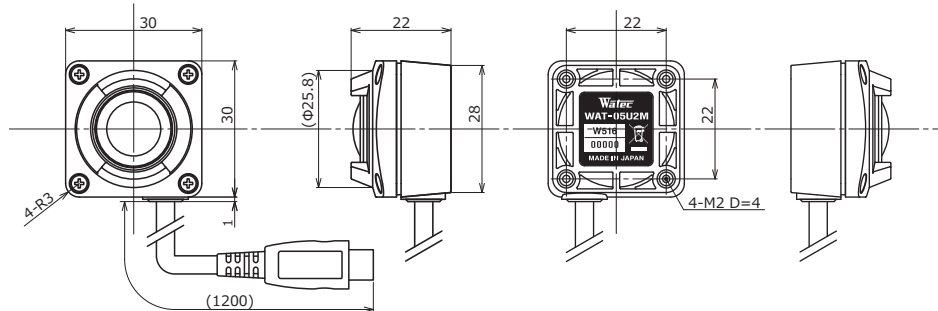
NEW



Key features

- Adopted the 180 degree wide angle lens
- The position of the cable is selectable in 4 dimensions (top, bottom, left and right) depends on the application and installation
(Std. position: bottom) *The other sides are available on request
- Enable the live video transmission via the smartphone or tablet by its Wi-Fi or 4G/3G
- Water resistant built for outdoor use (IPX7 compliance)

Dimensions



Specifications

Pick-up element	1/2.8 inch BSI CMOS image sensor	
Number of effective pixels	1945(H) × 1097(V)	
Unit cell size	2.9µm(H) × 2.9µm(V)	
Imaging system	RGB primary color bayer arrangement mosaic filters on chip	
Synchronizing system	Internal	
Scanning system	Progressive	
Output size	1920×1080, 1280×720, 640×480, 320×240	
Max. frame rate	30 fps	
Video compression	MJPEG, YUY2	
Video output	USB Video Class (Compatible)	
Minimum illumination	0.3 lx F2.0 (AGC ON=36dB, Shutter=OFF)	
	0.07 lx F2.0 (AGC ON=36dB, Shutter=1/7.5 sec.)	
S/N	-	
Function settings	Camera Viewer	
AE mode	Fixed	1/15, 1/7.5, 1/4 sec.
		1/30, 1/60, 1/120, 1/250, 1/500, 1/1000, 1/2000, 1/4000, 1/8000 sec.
	EI	1/30 - 1/8000 sec. 1/7.5 - 1/8000 sec.
White balance	ATW, MWB	
AGC	ON	0 - 36dB
	OFF	-
MGC	0 - 72dB (1dB step)	
Gamma characteristics	γ=USER (Level adjustable)	
Noise reduction	-	
Wide dynamic range	-	
Lens iris	-	
Back light compensation	BLC	
White blemish correction	-	
Sharpness	Level adjustable	
Defog	-	
Digital zoom	-	
Privacy mask	-	
Mirror image	-	
Freeze	-	
Motion detection	-	
Neg.image	-	
Interface	USB (High speed)	
Power supply	USB +5V	
Power consumption	0.85W (170mA)	
Operating temperature	-10 - +50°C	
Storage temperature	-30 - +60°C	
Operating / Storage humidity	95% RH or less (Without condensation)	
Standard lens	M1720BC-12 (f1.7 F2.0)	
Cable length	1.2m	
Weight	Approx. 45g	
Accessories	-	
Min. System Requirements	CPU	800MHz or faster
	RAM	512MB or larger
	Others	USB2.0 Port
Recommended System Specifications	CPU	Intel® Core TM i Series
	RAM	2GB or larger
	Others	USB2.0 Port, 1920×1080 or better resolution display
Operation Confirmed OS	Windows 7 32bit/64bit, Windows 8 32bit/64bit, Windows 8.1 32bit/64bit, Windows 10 32bit/64bit, Android 4.0 or newer	

Options

WAT-05U2M

