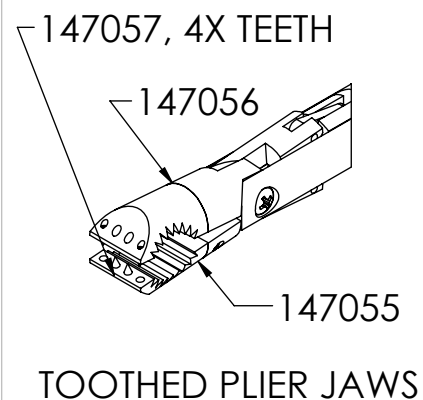
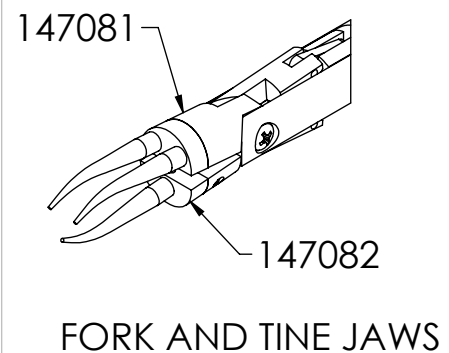
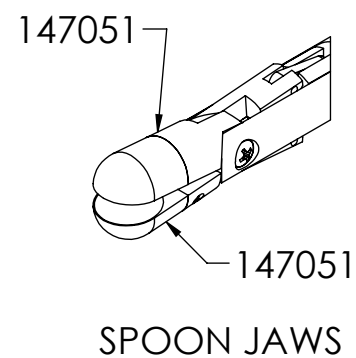
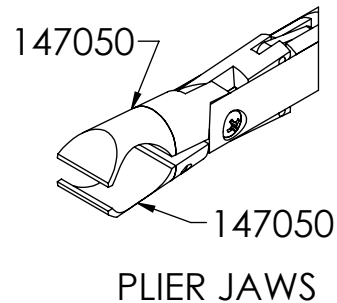
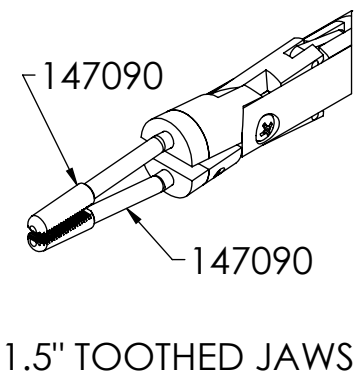
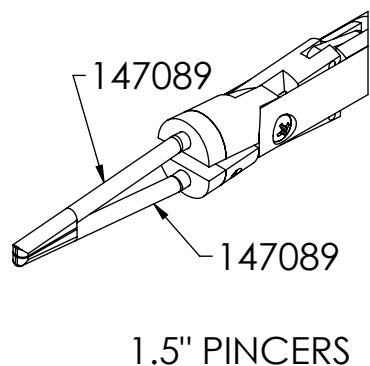
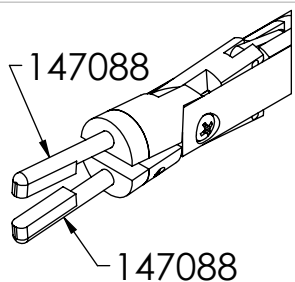


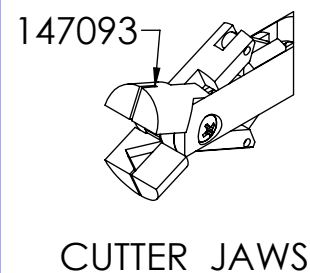
**THE STANDARD KIT CONTAINS THE FOLLOWING TIPS:**



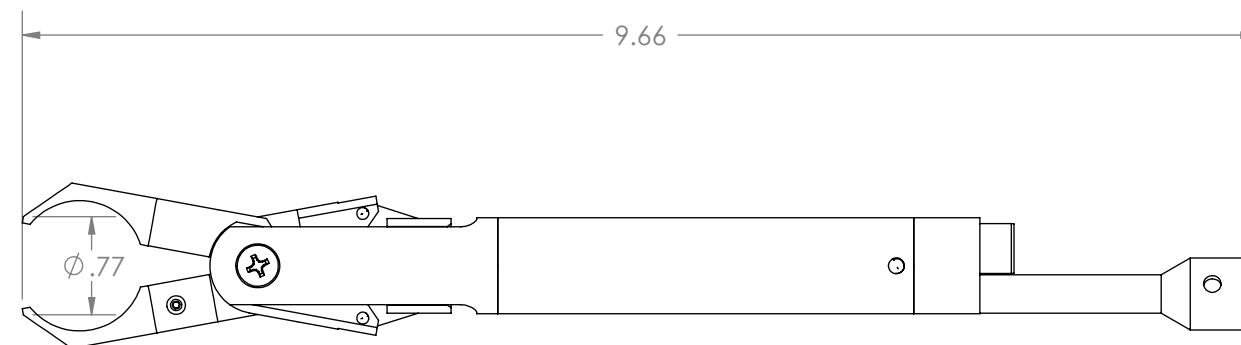
**OPTIONAL TIPS:**



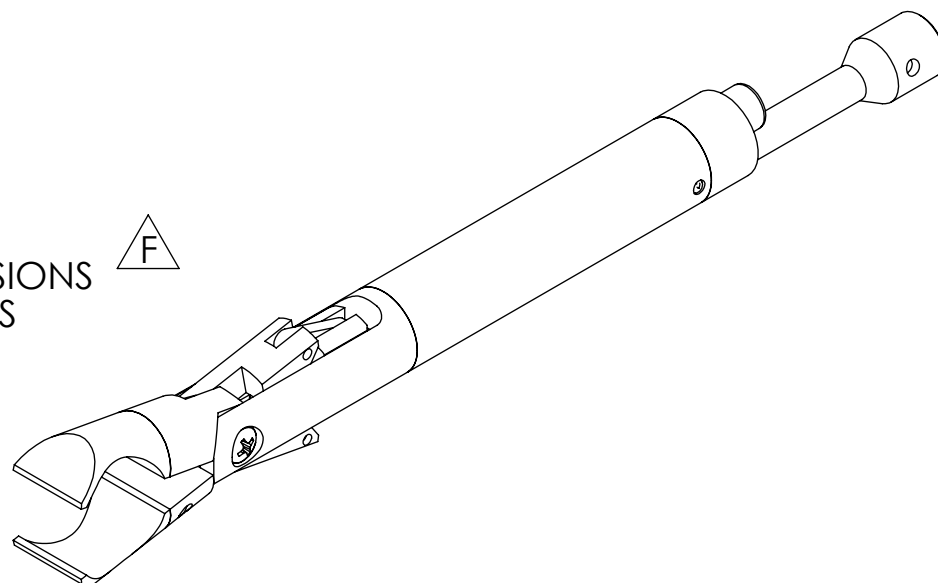
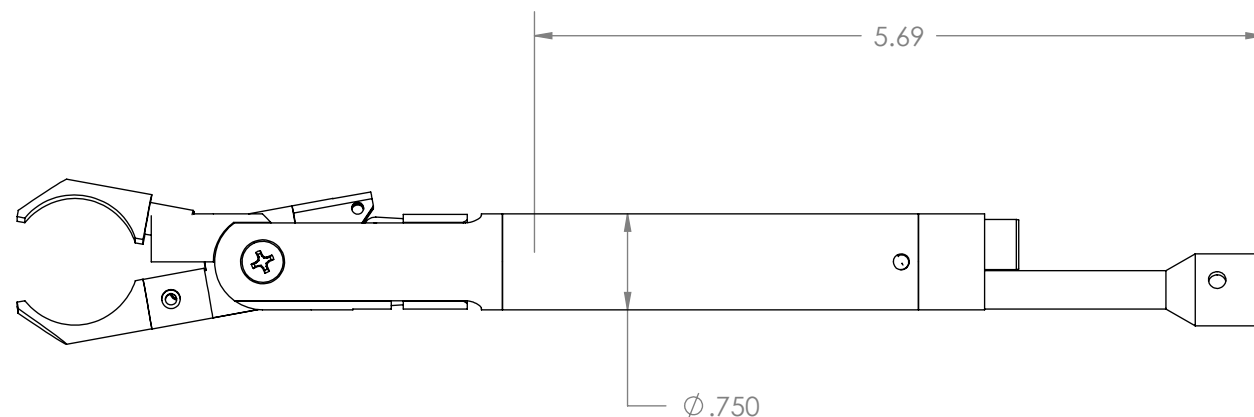
**OPTIONAL JAW SET:**



SEE SHEET 3 FOR REF. DIMENSIONS OF THE DIFF. JAW ASSEMBLIES



SHOWN WITH PLIER JAWS



E-mail [mail@intertestinc.com](mailto:mail@intertestinc.com) / <http://www.intertestinc.com>

UNLESS OTHERWISE SPECIFIED DIMENSIONS ARE IN INCHES  
XX .XXX ANGLES  
±.02 ±.005 ±0° 30'

MATERIAL N/A  
FINISH N/A



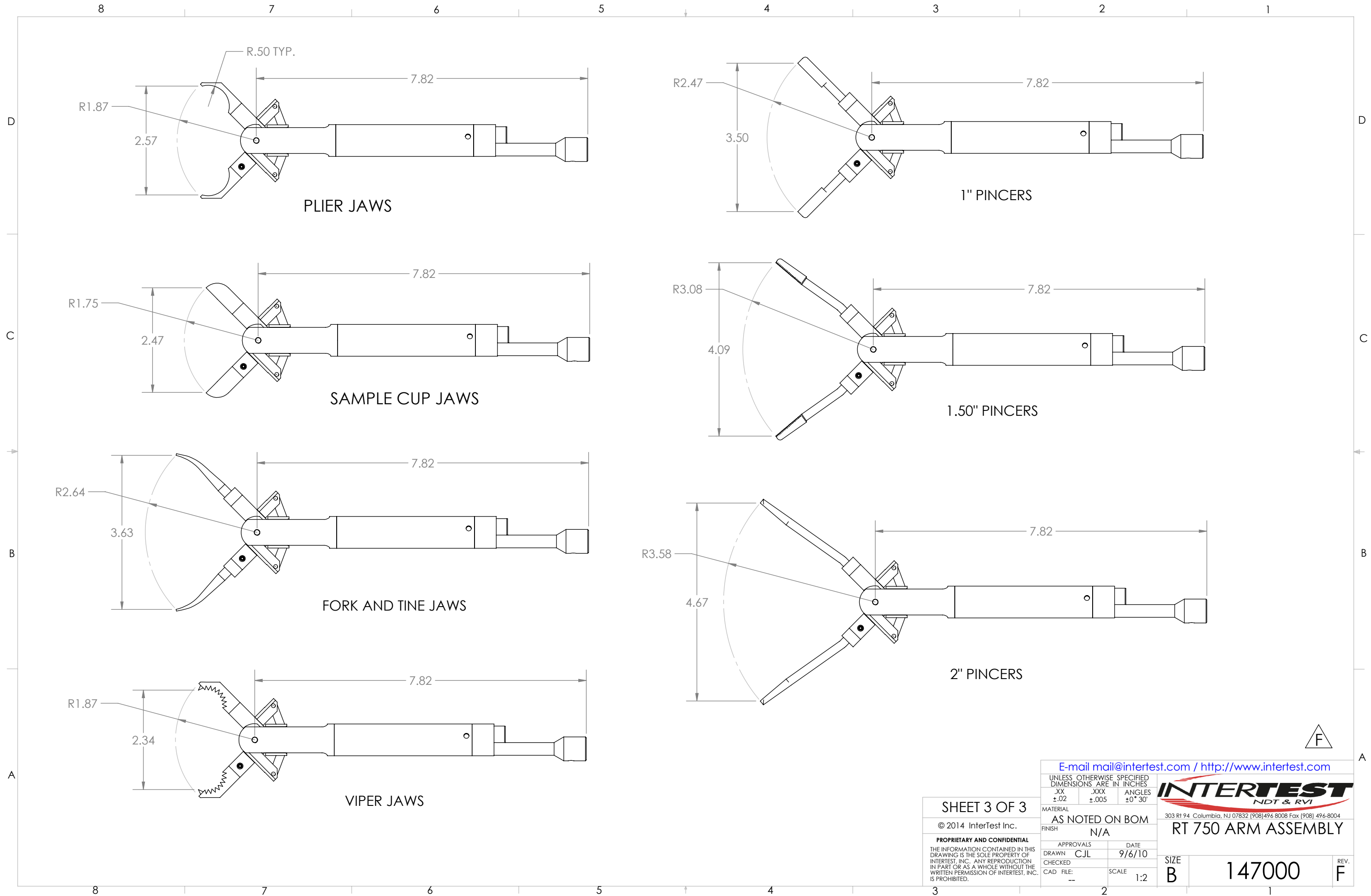
303 Rt 94 Columbia, NJ 07832 (908)496 8008 Fax (908) 496-8004

ASSEMBLY, RT-750

© 2008 InterTest Inc.  
PROPRIETARY AND CONFIDENTIAL  
THE INFORMATION CONTAINED IN THIS DRAWING IS THE SOLE PROPERTY OF INTERTEST, INC. ANY REPRODUCTION IN PART OR AS A WHOLE WITHOUT THE WRITTEN PERMISSION OF INTERTEST, INC. IS PROHIBITED.

APPROVALS DATE  
DRAWN CJL 08/14/00  
CHECKED  
CAD FILE: SCALE 1:4

SIZE B  
147000  
REV. F



PLIER JAWS

1" PINCERS

SAMPLE CUP JAWS

1.50" PINCERS

FORK AND TINE JAWS

2" PINCERS

VIPER JAWS

SHEET 3 OF 3

© 2014 InterTest Inc.

**PROPRIETARY AND CONFIDENTIAL**  
 THE INFORMATION CONTAINED IN THIS DRAWING IS THE SOLE PROPERTY OF INTERTEST, INC. ANY REPRODUCTION IN PART OR AS A WHOLE WITHOUT THE WRITTEN PERMISSION OF INTERTEST, INC. IS PROHIBITED.

E-mail [mail@intertest.com](mailto:mail@intertest.com) / <http://www.intertest.com>

UNLESS OTHERWISE SPECIFIED DIMENSIONS ARE IN INCHES  
 .XX .XXX ANGLES  
 ±.02 ±.005 ±0° 30'

MATERIAL AS NOTED ON BOM  
 FINISH N/A  
 APPROVALS DATE  
 DRAWN CJL 9/6/10  
 CHECKED  
 CAD FILE: SCALE 1:2



303 Rt 94 Columbia, NJ 07832 (908)496 8008 Fax (908) 496-8004  
**RT 750 ARM ASSEMBLY**

SIZE **B** 147000 REV. **F**

