

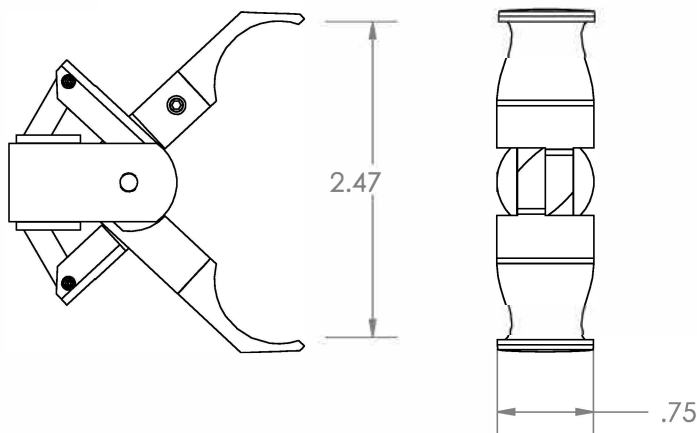
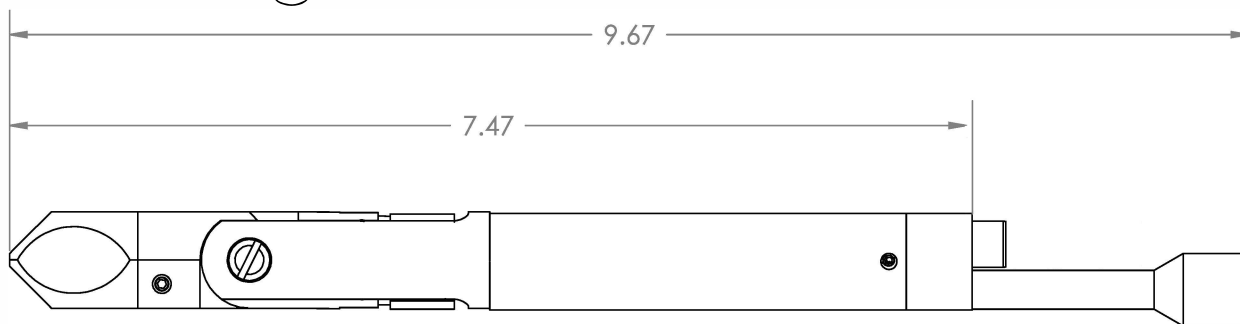


## **RT-750** RETRIEVAL TOOL KIT

The RT-750 Mechanical Retrieval Tool Kit includes four standard jaw sets, control box, 100 ft. of cable and storage case. Made from 303 Series stainless steel, the RT-750 (0.75" diameter) with gripping viper jaws can exert a closing force greater than 20 lbs. at 30 degree closure. A 1/4 - 20 tapped hole on the aft end provides mounting options for tool manipulation\*\*. Weight is 325 – 340g depending on which jaw set is installed. Water proof up to 100 ft.

\*\*With Push Pole Socket Removed

# RT-750 DIMENSIONS

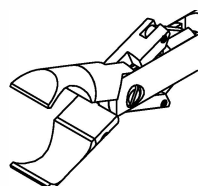


When remote visual inspection shows foreign matter in hard-to-reach places, reach for The iGrab RT-750. This electro-mechanical retrieval and sampling tool locks onto targets with a force greater than 20 lbs., clamping fully in just 15 seconds.

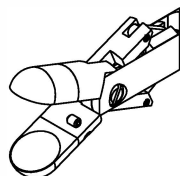
Constructed of 303 series stainless steel, The iGrab (Model RT-750) performs numerous retrieval tasks in a variety of environments, including marine and freshwater. Jaws permit quick swapping of plier, fork-and-tine, viper and sampling cup attachments.

Driven by a powerful rare-earth gear motor, The iGrab RT-750's 141:1 reduction worm drive delivers positive clamping force. Shock-mounting protects all drive components. This tough tool is built to deliver years of service, providing a quick, effective solution when foreign matter threatens the performance of mission-critical equipment.

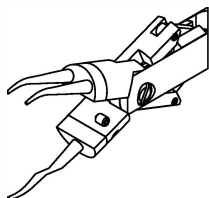
## STANDARD JAW SETS



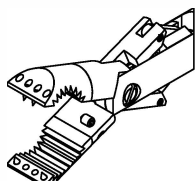
GRIPPING JAWS



SAMPLE CUP JAWS

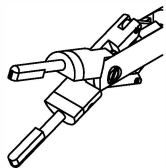


FORK AND TINE JAWS

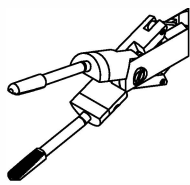


VIPER JAWS

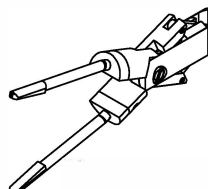
## OPTIONAL JAW SETS *(sold separately)*



1" PINCERS



1.5" PINCERS



2" PINCERS



303 Route 94  
Columbia, NJ 07832  
United States  
[www.intertest.com](http://www.intertest.com)  
[info@intertest.com](mailto:info@intertest.com)