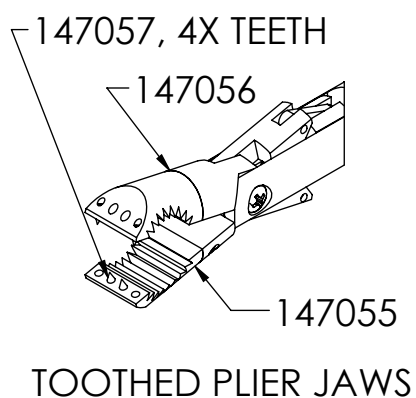
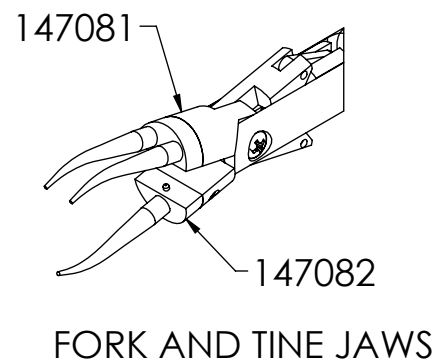
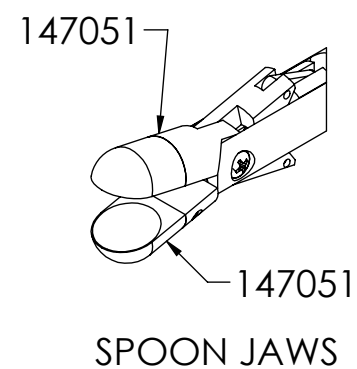
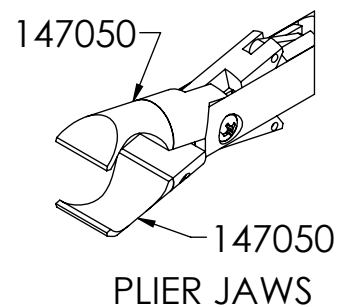
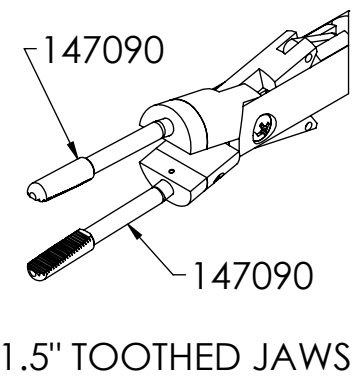
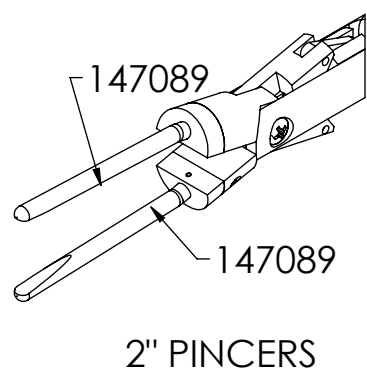
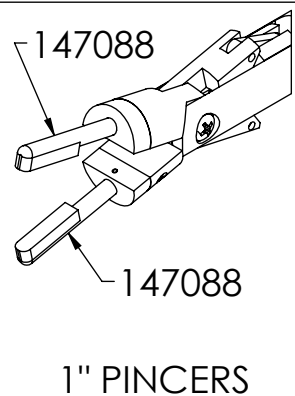


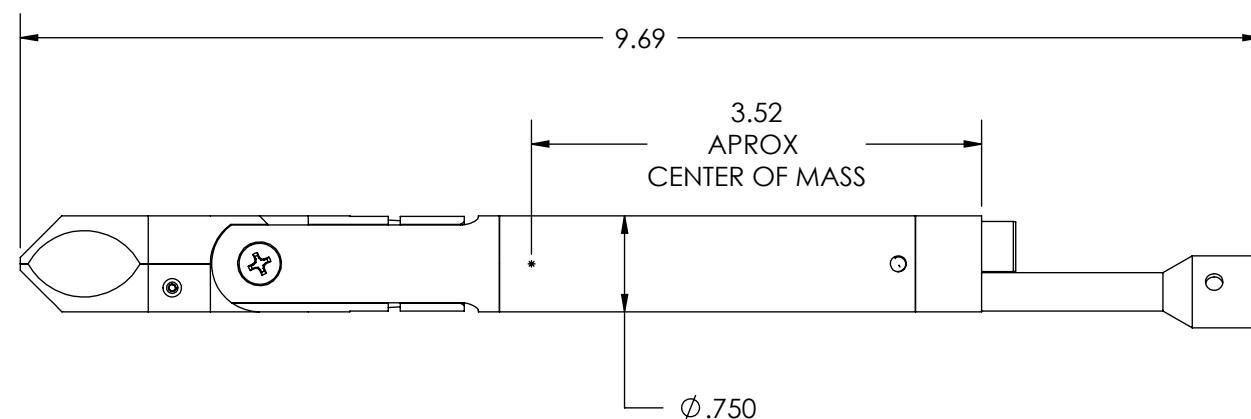
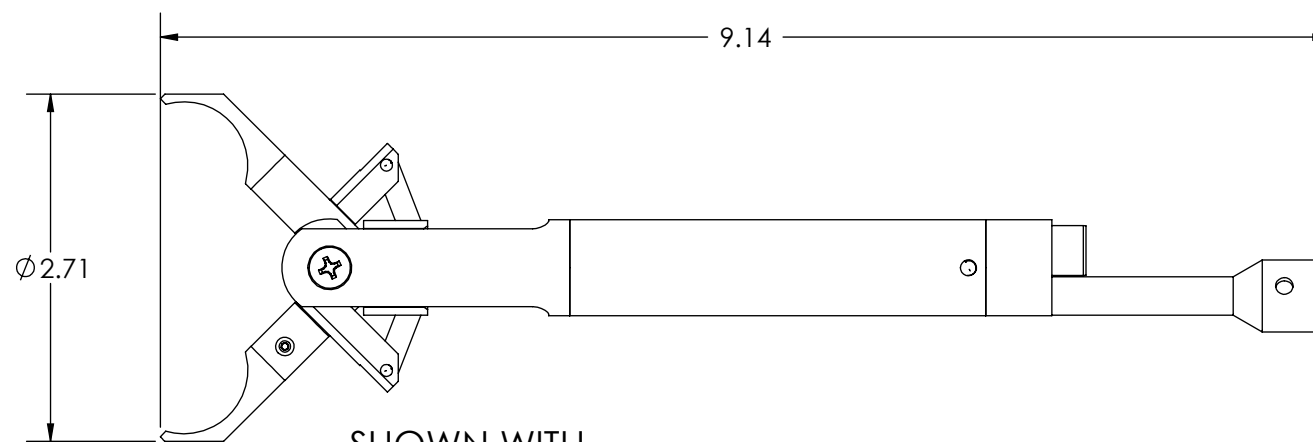
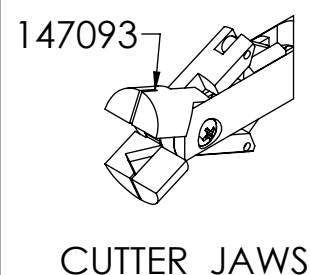
THE STANDARD KIT CONTAINS THE FOLLOWING TIPS:



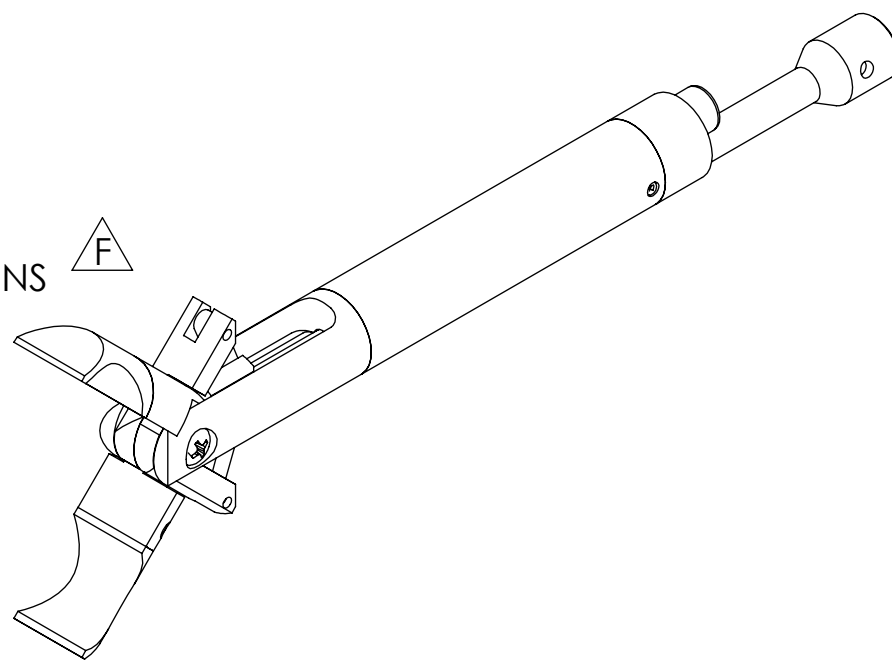
OPTIONAL TIPS:



OPTIONAL JAW SET:



SEE SHEET 3 FOR REF. DIMENSIONS OF THE DIFF. JAW ASSEMBLIES



E-mail mail@intertestinc.com / <http://www.intertestinc.com>

UNLESS OTHERWISE SPECIFIED
DIMENSIONS ARE IN INCHES
.XX .XXX ANGLES
±.02 ±.005 ±0° 30'

MATERIAL N/A
FINISH N/A
APPROVALS DATE
DRAWN C.JL 08/14/00
CHECKED
CAD FILE: SCALE 1:4



ASSEMBLY, RT-750

© 2008 InterTest Inc.
PROPRIETARY AND CONFIDENTIAL
THE INFORMATION CONTAINED IN THIS DRAWING IS THE SOLE PROPERTY OF INTERTEST, INC. ANY REPRODUCTION IN PART OR AS A WHOLE WITHOUT THE WRITTEN PERMISSION OF INTERTEST, INC. IS PROHIBITED.

SIZE B
147000
REV. G