



SYSTEM SET UP ▶



A Connect White and UV light guides to their respective light sources. **CAUTION:** Light guide ends are fragile, handle with care.



B Connect remote focus cable and camera cable to control unit. **CAUTION:** Camera connector is fragile, orient tab to 6 o'clock position and connect gently



C Connect A/C Power Cords, DC Jacks & DVI Video cable into the back of the Control Unit.



D Switch Main Power on back of Control Unit to ON. Separately switch White and UV light source to ON. Power & Light Controls on Front of each unit

CHANGING OPTICAL TIPS ▶



E Select appropriate optical adapter: 0, 45, 60, or 90 (narrow or wide FOV) degree DOV tips.



F Unthread stainless steel locking ring where the optical adapter attaches to the PoleCam HD. Gently pull tip straight back until tip comes off.



G Take selected optical adapter and line up pins and white marks.



H Gently push tip straight forward until it stops. Thread stainless steel locking ring until new optical adapter is secure.

CAUTION: AVOID EYE AND SKIN EXPOSURE TO UVA LIGHT



303 STATE ROUTE 94 • COLUMBIA, NJ 07832 • WWW.INTERTEST.COM

OFFICE: 908-496-8008 • HOURS: M – F, 8am to 5pm EST • E-MAIL: SERVICE@INTERTEST.COM



ADJUSTMENTS ▶



1. Focus
2. Shutter
3. Mirror
4. Flip
5. Preset (2ea.)
6. Lens Correction



QN HD Camera Adjustments:

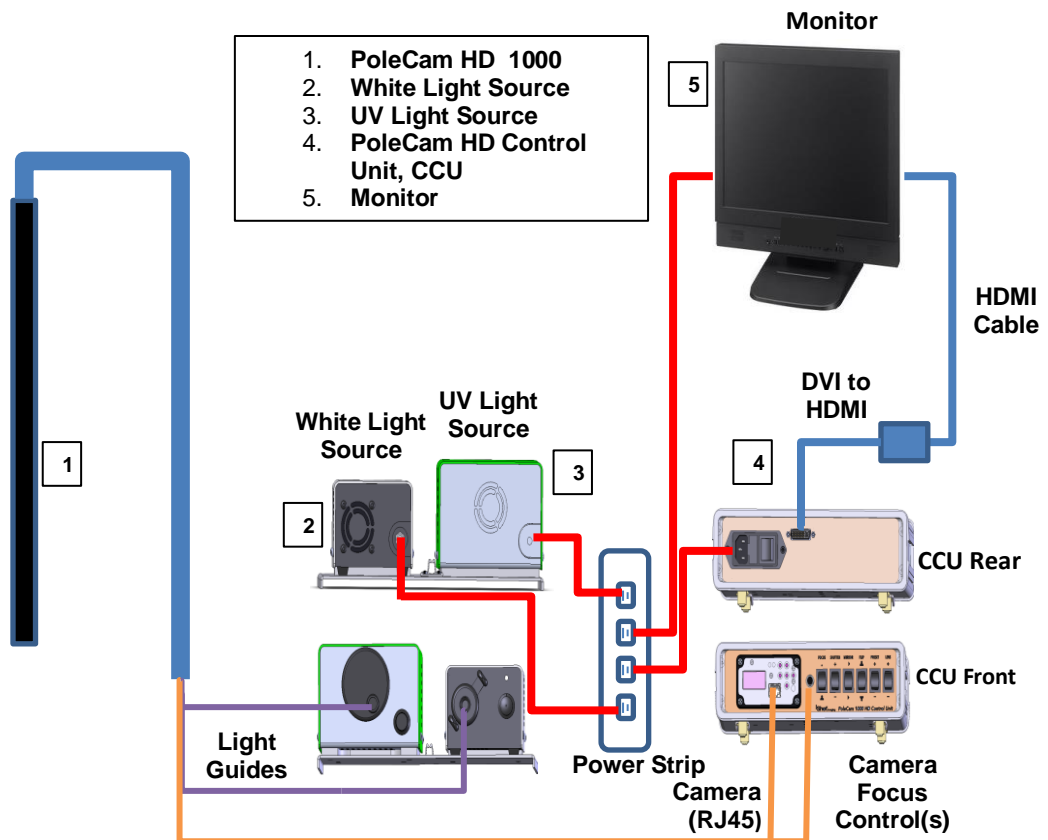
1. Menu UP/DOWN
2. Menu INCREASE/DECREASE
3. SELECT
4. Image Capture



UV/White On/Off & Light Intensity

Decrease intensity to off by rotating knob CCW. Increase intensity to max by rotating knob CW.

SeeUV™ PoleCam HD 1000 SYSTEM CONNECTIONS ▶



303 STATE ROUTE 94 • COLUMBIA, NJ 07832 • WWW.INTERTEST.COM

OFFICE: 908-496-8008 • HOURS: M – F, 8am to 5pm EST • E-MAIL: SERVICE@INTERTEST.COM