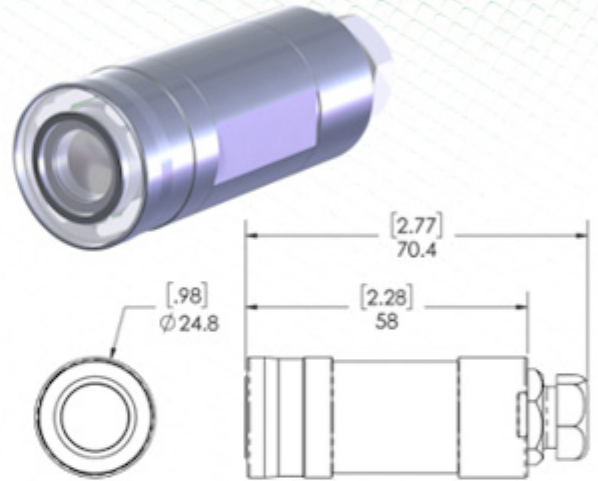




InterTest, Inc.
 303 State Route 94
 Columbia, NJ 07832
 +1 908 496 8008
<https://intertest.com>

PC-XD25

CAMERA SYSTEM SPECIFICATIONS



The PC-XD25 is a 1080p Full HD Camera System designed for a variety of industrial applications. It can be utilized as a standalone device or easily incorporated into a larger solution as an OEM system without giving up performance. It features a stainless-steel housing with 6 LEDs for shadowless illumination and is fully waterproof up to the full length of the cable. The lens can be adjusted without the use of tools and additional lenses are available with different viewing angles. The PC-XD25 can be located up to 60 meters (200 feet) from the control unit, making it a highly capable solution for remote viewing.

Multiple options are available for the camera control unit including a portable 5" and 7" Monitor Controller or a rugged anodized black aluminum Desktop Controller with non-slip rubber feet. Both options include built in storage and DVR with full image capture, recording and playback capabilities. The Desktop Controller also has multiple outputs and an LED adjustment knob.

Camera Specifications:	PC-XD25
Image Sensor	1/2.8 Color HD CMOS
Effective Image Area	12mm X 9.3mm
Effective Pixel Array	1945H X 1097V
Pixel Size	2.8µm X 2.8µm
Signal/Noise Ratio	>30dB
Back Light Compensation	Auto
White Balance	Auto
Min Illumination	.0001Lux/1.2F
Wide Dynamic Range	Auto WDR
Lens Mount	Proprietary
Operating Temperature	-30°C-85°C
Cable Length	Up to 60 meters [200']
Dimensions	25mm Dia. X 70mm L
LED Illumination	Yes
Resolution	1080p

Monitor Controllers



Desktop Controller



© 2023 Peerless Creations LLC.

This document provides technical information for the user. Peerless Creations LLC. reserves the right to modify the information in this document as necessary without notification. Peerless Creations LLC. holds no responsibility for any errors that may appear in this document.

