



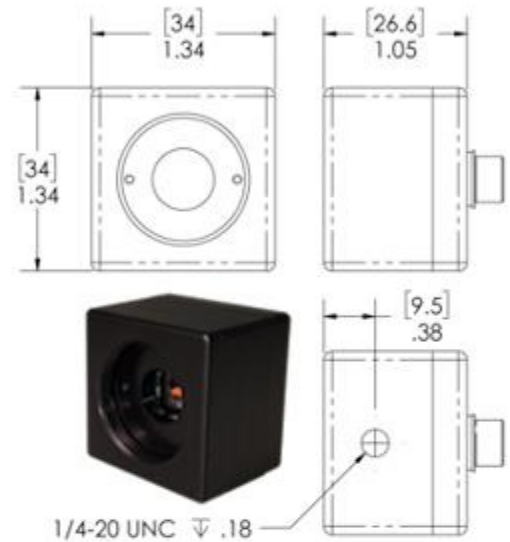
InterTest, Inc.
 303 Route 94
 Columbia, NJ 07832 USA
 +1 908 496-8008
 intertest.com/

PC-HD34

CAMERA SPECIFICATIONS

The PC-HD34 camera was created for a variety of industrial applications. Designed to be utilized as a standalone device or easily incorporated into a larger solution as an OEM system without giving up performance. The camera utilizes a 1080p full HD 1/2.9" CMOS sensor with an electronic rolling shutter at speeds up to 1/100,000 per second and adjustable exposure. The camera housing is 34mm square made from anodized black aluminum with a standard 1/4-20 thread mount on the bottom along with a C/CS lens mount on the front accommodating a variety of swappable lenses.

Multiple options are available for the control unit including a portable 7" Monitor Controller or a Desktop Controller made from rugged anodized black aluminum with non-slip rubber feet. Both options include built in storage and DVR with full image capture, recording and playback capabilities along with multiple outputs.



Camera head shown with C-mount lens (not included)



Monitor Controller

Image Sensor	1/2.9" CMOS
Total Pixels	2001 H x 1121 V
Active Pixels	1936 H x 1097 V
Pixel Size	2.8µm x 2.8µm
Sensing Area	5.6mm H x 3.14mm V Synchronization Internal
Sensitivity	.08 lux/F1.2
Responsivity	1.6V/lux-sec
Scanning Mode	Progressive
Shutter Type	ERS (GRR optional)
Shutter Speed Auto:	1/60 ~1/100,000 sec Back Light Compensation Auto
Dynamic Range	85.5 dB
Signal to Noise Ratio	39 dB
Gain Control	Auto (switching)
White Balance	Auto
Operating Temperature	-30°C~75°C
Storage Temperature	-40°C~80°C
Cable Length	3m-15m [9.84'-49.21']
Lens Mount	C/CS
Power Consumption	< 150mA

*See controller documentation for complete system specifications