



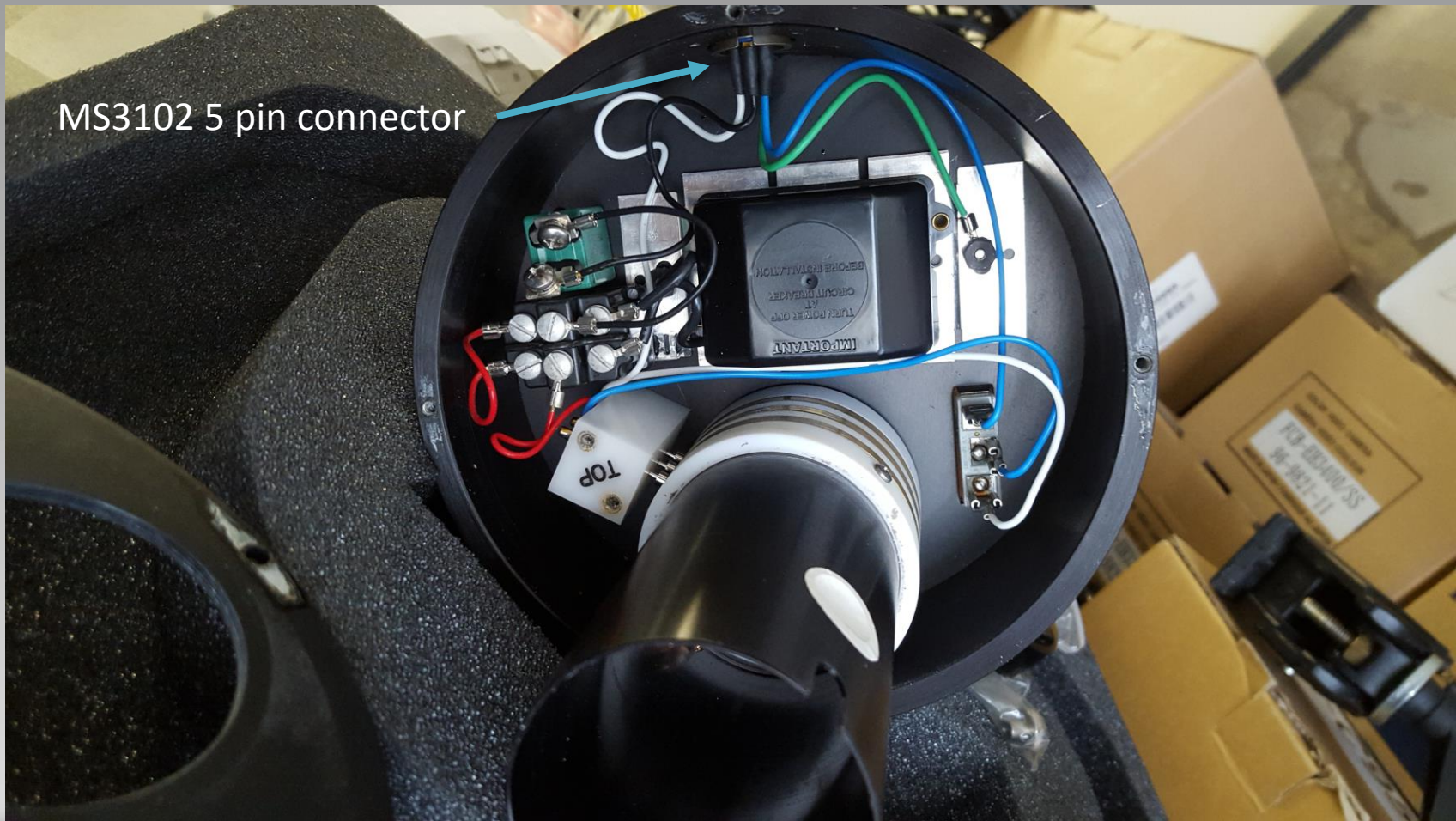
www.intertest.com

M-3 DIVA Wiring to Adapter Tube Assembly

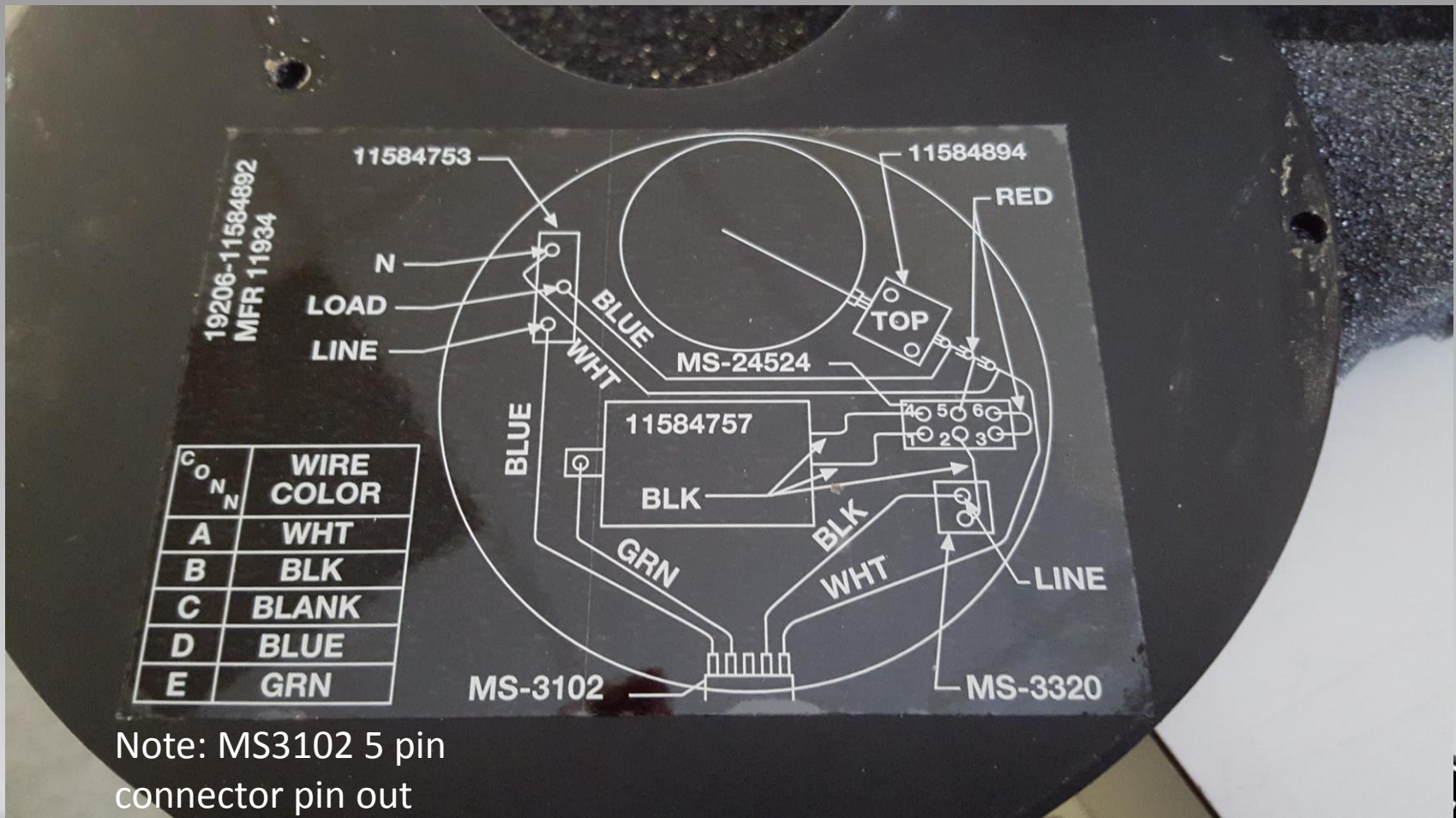
- The DIVA (Dual Illumination Viewing Adapter) adapter for the M-3 borescope provides LED white and UV illumination. It is a replacement for the M-3 blind bore adapter. Wiring in some M-3's are not in accordance with the system wiring diagram. An improperly wired Adapter Tube Assembly will prevent the DIVA from operating. This presentation provides instruction on correcting the wiring.



Tube Adapter Assembly viewed with cover plate removed.



Tip Adapter Assembly wiring diagram as found on inside of cover plate



M-3 As Found

Pinout diagram from Amphenol MIL data

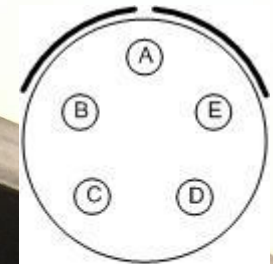
FROM PREVIOUS SLIDE

A = WHITE

B = BLACK

D = BLUE

E = GREEN



MS3102 14S-5S
Rear View

WHITE AND BLACK FOUND REVERSED
BLUE AND GREEN FOUND REVERSED

IMPORTANT
TURN POWER OFF AT
CIRCUIT BREAKER



Solutions

- Correct the wiring in the Tube Adapter Assembly or
- Use correcting adapter
- Note the DIVA cannot operate with the M-3 stock power cables. It must operate with the supplied controller
- See DIVA Quick Start instructions for operation

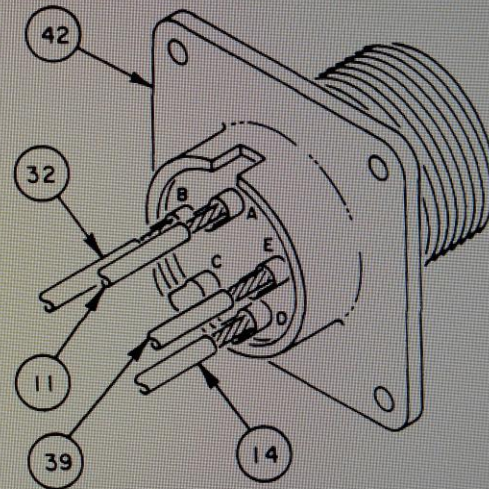


From M-3 Tech/Maintenance Manual



13

If it is necessary to replace the wires or the electrical receptacle connector (42), unsolder white wire (11) from pin A, black wire (32) from pin B, blue wire (14) from pin D, and green wire (39) from pin E.



5-104

