



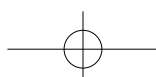
Technical Catalogue



Global Shutter

Global Shutter Series

Optical Auto Focus Zoom Cameras





HD Auto Focus Optical Zoom Block Camera

ZOOM CAMERA

Model naming

A T C - H Z 5 5 1 0 C - L B1

Zoom Ratio	Lens Type Character	Video Output mode	Optional Bracket
7: 7x 10: 10x 18: 18x 22: 22x 30: 30x 36: 36x 40: 40x	C M W T Z U	L: LVDS P: PARALLEL LP: LVDS, PARALLEL U: USB H: HDMI ∞: CVBS	B1: 'L' Bracket shape

Global Shutter Series

Model Name	ATC-HZ5510C-L ATC-HZ5510C-LC	ATC-HZ5510C-P ATC-HZ5510C-PC	ATC-HZ5510C-C	ATC-HZ5530Z-LP	ATC-HZ5530T-LP	ATC-HZ5530W-LP	ATC-HZ5536W-LP	ATC-HZ5518W-LP	ATC-HZ5518W-U	
Shutter system	Global Shutter									
Optical Zoom Ratio	10x			30x			36x	18x	18x	
Image Sensor	1/2.9" CMOS				1/2.9" CMOS	1/1.8" CMOS	1/1.8" CMOS	1/1.8" CMOS		
Video Output Mode	EX-SDI	X	X	X	X	X	X	X	X	X
	HD-SDI	X	X	X	X	X	X	X	X	X
	CVBS	O(LC)	O(PC)	O	O	O	O	O	O	O
	AVI	X	X	X	X	X	X	X	X	X
	TVI	X	X	X	X	X	X	X	X	X
	LVDS	O	X	X	O	O	O	O	O	X
	Parallel	X	O	X	O	O	O	O	O	X
	USB	X	X	X	X	X	X	X	X	O
Max. Video Resolution	LVDS : 720p@60(50fps)	Parallel : 720p@60(50fps)	-	LVDS / Parallel : 1080p@60(50fps)	LVDS / Parallel : 720p@60(50fps)	LVDS / Parallel : 1080p@60(50fps)			USB : 1080p@60(50fps)	
D&N Mode	Auto/Day(Color)/Night(BW)/External-H or L									
Image Freeze	O	O	O	O	O	O	O	O	O	
Image Flip	O	O	O	O	O	O	O	O	O	
Privacy Mask Zone	O	O	O	O	O	O	O	O	O	
Digital Image Stabilization	O	O	X	O	O	O	O	O	O	
Motion Detection	O	O	O	O	O	O	O	O	O	
WDR	O	O	O	O	O	O	O	O	O	
3D-DNR	O	O	O	O	O	O	O	O	O	
Defog	O	O	O	O	O	O	O	O	O	
UART	RS232 TTL +5.0V(+3.3V Compatible)									
Optional Model	NIL									



HD Auto Focus Optical Zoom Block Camera

ZOOM CAMERA

Model naming

A T C - H Z 5 3 4 0 T - LP B1

Zoom Ratio	Lens Type Character	Video Output mode	Optional Bracket
7 : 7x 10 : 10x 18 : 18x 22 : 22x 30 : 30x 36 : 36x 40 : 40x	C M W T Z U	L : LVDS P : PARALLEL LP : LVDS, PARALLEL U : USB H : HDMI ∞ : CVBS	B1 : 'L' Bracket shape

Global Shutter Series

Model Name	ATC-HZ5340T-LP	ATC-UZ5707U-H	ATC-UZ5722U-H
Shutter system			
Optical Zoom Ratio	40x	7x	22x
Image Sensor	1/2.3" CMOS	1/1" CMOS	
Video Output Mode	EX-SDI	X	X
	HD-SDI	X	X
	CVBS	O	O
	AVI	X	X
	TVI	X	X
	LVDS	O	X
	Parallel	O	X
	USB	X	X
	HDMI	X	O
Max. Video Resolution	LVDS / Parallel : 1080p@60(50fps)	HDMI(1.4b) : 3840x2160@30fps	
D&N Mode	Auto/Day(Color)/Night(BW)/External-H or L		
Image Freeze	O	O	O
Image Flip	O	O	O
Privacy Mask Zone	O	O	O
Digital Image Stabilization	O	O	O
Motion Detection	O	O	O
WDR	O	O	O
3D-DNR	O	O	O
Defog	O	O	O
UART	RS232 TTL +5.0V(+3.3V Compatible)		
Optional Model	NIL	ATC-UZ5707U-HM HDMI TO MIPI convertor board	ATC-UZ5722U-HM HDMI TO MIPI convertor board

Core Functions

ZOOM CAMERA

- High speed zoom tracking and extremely precise auto focusing.

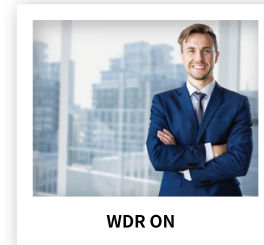
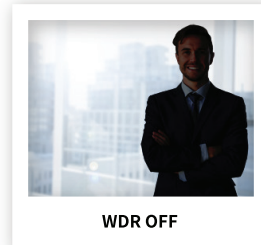
- Global shutter

Global shutter captures the entire image at once so there is no distortion in the picture even on fast moving objects, unlike the rolling shutter where it uses repetitive scan which causes the image to be skewed or blurred.



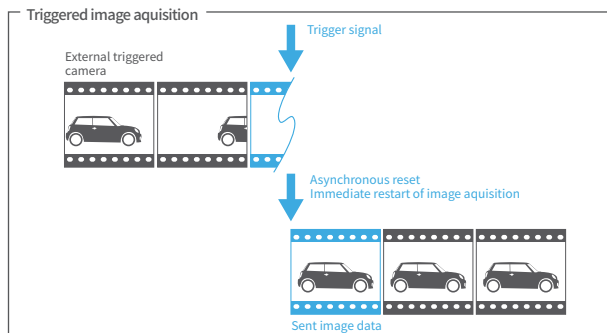
- Wide Dynamic Range

Wide Dynamic Range is a technology used to compensate problems with various light exposure. It can work on the dark and bright areas on the image by reproducing a balanced image to improve overall image quality.



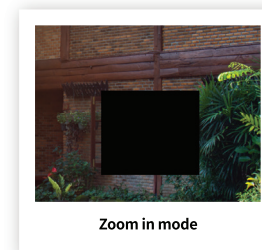
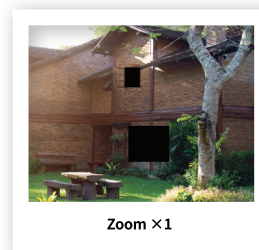
- Asynchronous Reset

Initiating an exposure at a particular instant by external trigger is called asynchronous reset. This function is required to acquire the best image so that object is located in correct position even when it moves at high speed.



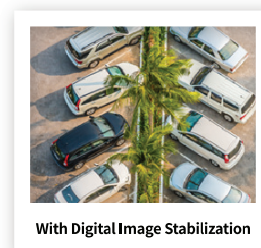
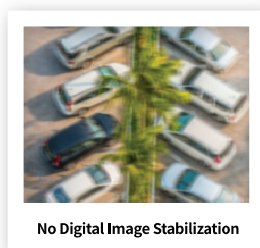
- 3D Privacy Masking Zone

Masking zone function is to protect private and sensitive areas. The masking area is maintained proportional to the zoom level. 8 zones can be specified.



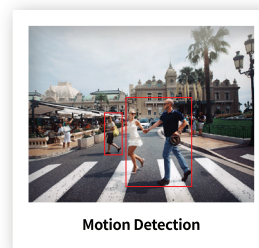
- Digital Image Stabilization

DIS greatly reduces image blur caused by vibration.



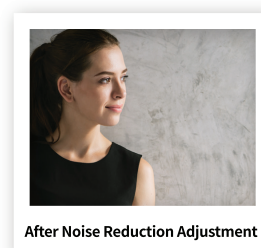
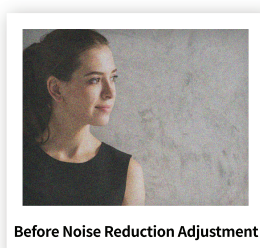
- Motion Detection

Motion detection is the process of detecting a change in specified areas. 4 zones can be specified.



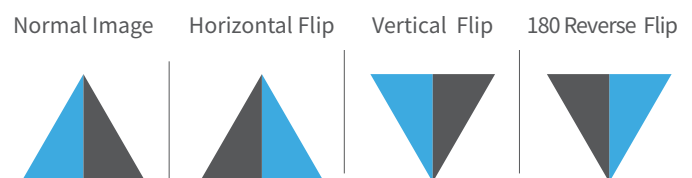
- Noise Reduction

Noise reduction is the process of removing noise from a signal. The HZ55 series cameras are optimized to obtain extremely low-noise image by incorporating 2D/3D-DNR.



- Image Rotation(E-Flip) and Freeze

Image Rotation allows the images to be flipped horizontally, vertically, or both. The Freeze function stills the image.





HD Auto Focus Optical Zoom Block Camera

ZOOM CAMERA

Global Shutter Series

- ATC-HZ5510C-L
- ATC-HZ5510C-LC
- ATC-HZ5510C-P
- ATC-HZ5510C-PC
- ATC-HZ5510C-C
- ATC-HZ5530Z-LP
- ATC-HZ5530W-LP
- ATC-HZ5530T-LP
- ATC-HZ5536W-LP
- ATC-HZ5340T-LP
- ATC-HZ5518W-LP
- ATC-HZ5518W-U
- ATC-UZ5707U-H
- ATC-UZ5722U-H



Outline

Global shutter series offers auto-focus optical zoom block cameras with global shutter that incorporates the latest and most advanced ISP and CMOS sensor.

Global shutter is the key feature that can obtain undistorted images from fast moving subjects used in various industrial applications.

Furthermore, the series support high speed zoom tracking and highly accurate auto focusing even in dark environments.

• Video Signal Format

Depending on register settings, you can select from various digital output methods.
3840x2160(30), 1080p/60(50), 1080p/30(25), 720p/60(50), 720p/30(25)

• Video Output

LVDS / Parallel/ CVBS / USB / HDMI(1.4b)

• Global Shutter

It enables to obtain undistorted images even from fast moving subjects.

• Wide Dynamic Range

It produces high quality image across a broad range of light intensity.

• 3D Privacy Masking zone

Maximum 8 zones are available.

• Digital Image Stabilization

DIS allows reduction in image blurring caused by vibration detection.

• Motion detection is available.

• Noise Reduction

It is optimized to obtain extremely low-noise images incorporating 2D/3D-DNR.

• Auto ICR

Infrared cut-filter is automatically enabled or disabled according to changing light conditions or day/night mode.

• Defog

Defog enables clearer images during foggy and low contrast environments.

• Image Flip and freeze.

• External Synchronization(Optional).

• Available UART RS232 TTL(VISCA/Pelco-D/Pelco-P/Hitachi).

5 | www.ktnc.co.kr

Model Name	Image Sensor	Lens Features	Max. Video Resolution
ATC-HZ5510C	1/2.9" CMOS	f=5.1~51mm(10x) F1.6~1.8	LVDS : 720p@60(50fps)
ATC-HZ5530Z	1/2.9" CMOS	f=5.0~150mm(30x) F1.6~4.3	LVDS / Parallel : 720p@60(50fps)
ATC-HZ5530T	1/2.9" CMOS	f=4.3~129mm(30x) F1.6~5.0	LVDS / Parallel : 720p@60(50fps)
ATC-HZ5340T	1/2.3" CMOS	f=4.25~170mm F1.6~4.95	LVDS / Parallel : 1080p@60(50fps)
ATC-HZ5536W	1/1.8" CMOS	f=6.0~216mm(36x) F1.5~4.8	LVDS / Parallel : 1080p@60(50fps)
ATC-HZ5530W	1/1.8" CMOS	f=6.0~180mm(30x) F1.5~4.3	LVDS / Parallel : 1080p@60(50fps)
ATC-HZ5518W-LP	1/1.8" CMOS	f=6.8~120mm F1.61~4.13	LVDS / Parallel : 1080p@60(50fps)
ATC-HZ5518W-U	1/1.8" CMOS	f=6.8~120mm F1.61~4.13	USB :1080p@60(50fps)
ATC-UZ5707U	1/1" CMOS	f=12~84mm F1.5~2.6	HDMI(1.4b) : 3840x2160@30fps
ATC-UZ5722U	1/1" CMOS	f=9.9~217mm F1.62~5.4	HDMI(1.4b) : 3840x2160@30fps

Features

• Image Sensor

- 720p 1/2.9" Pregius™ Global shutter CMOS
- 1080p 1/1.8" Pregius™ Global shutter CMOS
- 1080p 1/2.3" Pregius™ Global shutter CMOS
- 4K 1" Pregius™ Global shutter CMOS



Global Shutter Series Specifications

ZOOM CAMERA

Model Name	ATC-HZ5510C-L ATC-HZ5510C-LC	ATC-HZ5510C-P ATC-HZ5510C-PC	ATC-HZ5510C-C	ATC-HZ5530Z-LP	ATC-HZ5530T-LP	ATC-HZ5530W-LP	ATC-HZ5536W-LP
Video System							
Image Sensor	1/2.9" Progressive Scan Global Shutter CMOS					1/1.8" Progressive Scan Global Shutter CMOS	
Effective Pixels	1.58MP 1456(H) x 1088(V)				1.58MP 1456(H) x 1088(V)	3.19MP 2064(H) x 1544(V)	3.19MP 2064(H) x 1544(V)
Video Output Mode	Common	LVDS (L) LVDS / CVBS (LC)	Parallel (P) Parallel / CVBS (PC)	CVBS	LVDS / Parallel / CVBS		
Max. Video Resolution	LVDS : 720p@60(50fps)	Parallel : 720p@60(50fps)		-	LVDS / Parallel : 720p@60(50fps)		LVDS / Parallel : 1080p@60(50fps)
Synchronization system	Internal / External Option						
Min.Illumination							
Min.Illumination (Condition : DSS OFF, AGC45dB)	Day mode : 0.1Lux(F1.6) Night mode : 0.08Lux(F1.6 / IR-cut filter on)		Day mode : 0.03Lux(F1.6) Night mode : 0.02Lux (F1.6 / IR-cut filter on)	Day mode : 0.1Lux(F1.6) Night mode : 0.08Lux(F1.6 / IR-cut filter on)		Day mode : 0.1Lux(F1.5) Night mode : 0.05Lux(F1.5 / IR-cut filter on)	
S/N Rate	More than 55dB(AGC off, DSS off)			More than 52dB (AGC off, DSS off)			
Lens							
Lens	Type	AF Optical zoom lens(DC Iris), IR Corrective					
	Focal Length	f=5.1mm~51mm		f=5.0~150mm	f=4.3mm~129mm	f=6.0mm~180mm	f=6.0mm~216mm
	F-value	F1.6(W)~1.8(T)		F1.6(W)~4.3(T)	F1.6(W)~5.0(T)	F1.5(W)~4.3(T)	F1.5(W)~4.8(T)
	Angle of View	Horizontal 54.0°(W)~4.9°(T), Vertical 31.0°(W)~4.0°(T)		Horizontal 59.2°(W)~2.0°(T), Vertical 33.8°(W)~1.15°(T)	Horizontal 53.9°(W)~1.93°(T), Vertical 39.8°(W)~1.41°(T)	Horizontal 61.2°(W)~2.32°(T), Vertical 36.1°(W)~1.31°(T)	Horizontal 58.4°(W)~2.2°(T), Vertical 34.1°(W)~1.2°(T)
Zoom ratio	Optical 10x / Digital 12x			Optical 30x / Digital 12x	Optical 30x / Digital 12x		Optical 36x / Digital 12x
Focus Min.Working Distance	0.01m(Wide) / 1.0m(Tele)~∞				0.01m(Wide) / 1.0m(Tele)~∞	0.1m(Wide) / 1.5m(Tele)~∞	0.1m(Wide) / 1.5m(Tele)~∞
Focus Control	Auto/Manual/Interval/One Push/Preset						
Exposure							
AE Mode	Auto/Shutter Priority/Iris Priority/Manual/Bright						
Brightness	0~14						
Manual Shutter	1/1, 1/2, 1/4(3), 1/8(6), 1/15(12), 1/30(25), 1/60(50)~1/10000						
Manual Iris	F1.6~F32, Close						
Sense-up	Off~32fields						
ETC	Spot AE, Slow AE						
Functions							
D&N Mode	Auto/Day(Color)/Night(BW)/External-H or L						
White Balance	AUTO/ATW/Indoor/Outdoor/Push/Manual						
Image Freeze	Off/On						
Image Flip	Off/Horizontal/Vertical/H+V(180° Flip)						
Privacy Mask Zone	8 Zones/14 mask color selectable						
Digital Image Stabilization	Yes	-				Yes	
Motion Detection	4 Zones						
D-WDR	Off/Low/Middle/High						
WDR	Off/On, Adjustable(Level:0~29, Contrast:0~5, Bright:0~19)						
BLC	Off/On, Area selectable						
HLC	Off/On, Area selectable						
AGC	Max.48dB, d2X ~ d9X				Max.48dB		
Sharpness	Adjustable(0~15)						
3D-DNR	Off/Auto/Low/Middle/High						
2D-DNR	Off/Auto/Low/Middle/High						
Defog	Off/On/Auto						
Preset	256 position Presets(Zoom,Focus), 16Memory Presets, Custom Preset						
Language	English						
Communication							
UART	Remote	RS232 TTL +5.0V(+3.3V compatible)					
	Protocol	VISCA/Pelco-D/Pelco-P/Hitachi: Automatic detection					
	Baud rate	2400/4800/9600/19200/38400/57600/115200bps					
Power							
Supply Voltage	12VDC(9V to 15VDC)						
Power Consumption	Max.4.7W / Non-working zoom&focus 3.0W	Max.6W / Non-working zoom&focus 3.9W	Max.5.1W / Non-working zoom&focus 3.1W	Max.5.3W / Non-working zoom&focus 3.8W			
Physical and Temperature							
Dimension(mm)	41.6x45x61.6mm			50x58.8x96.1mm	50x58.8x90.5mm	55.0x64.0x123mm	55.0x64.0x123mm
Weight	Approx.124g			Approx.240g	Approx.244g	Approx.380g	
Operating Temperature	-10°C~+50°C, Humidity(20~80%)						
Storage Temperature	-20°C~+60°C, Humidity(20~95%)						



Global Shutter Series Specifications

ZOOM CAMERA

Model Name	ATC-HZ5340T-LP	ATC-HZ5518W-LP	ATC-HZ5518W-U	ATC-UZ5707U-H	ATC-UZ5722U-H
Video System					
Image Sensor	1/2.3" Progressive Scan Global Shutter CMOS		1/1.8" Progressive Scan Global Shutter CMOS		1/1" Progressive Scan Global Shutter CMOS
Effective Pixels	1.58MP 1456(H) x 1088(V)		3.19MP 2064(H) x 1544(V)		8.95MP 4112(H) x 2176(V)
Video Output Mode	Common		LVDS / Parallel / CVBS		USB / CVBS
Max. Video Resolution	LVDS / Parallel : 1080p@60(50fps)		USB :1080p@60(50fps)		HDMI(1.4b) : 3840x2160@30fps
Synchronization system	Internal / External Option				Internal
Min.Illumination					
Min.Illumination (Condition : DSS OFF, AGC45dB)	Day mode: 0.1Lux(F1.6) Night mode: 0.08Lux (F1.6/ IR-cut filter on) Sens-Up off, AGC45dB		Day mode: 0.1(Lux(F1.5) Night mode: 0.05Lux(F1.5/ IR-cut filter on) Sens-Up off, AGC45dB		Day mode: 0.1(Lux(F1.6) Night mode: 0.06Lux(F1.6/ IR-cut filter on) Sens-Up off, AGC28dB
S/N Rate	More than 55dB(AGC off, DSS off)				More than 52dB(AGC off, Sens-Up off)
Lens					
Lens	Type	AF Optical zoom lens(DC Iris), IR Corrective			AF Optical zoom lens(P-Iris)
	Focal Length	f=4.25~170mm	f=6.8mm~120mm		f=12mm~84mm
	F-value	F1.6(W)~4.95(T)	F1.61(W)~4.13(T)		F1.5(W)~2.6(T)
	Angle of View	Horizontal 68.8°(W)~2.0°(T), Vertical 41.6°(W)~1.2°(T)	Horizontal 54.5°(W)~3.4°(T), Vertical 42.3°(W)~2.5°(T)		Horizontal 61.19°(W)~9.66°(T), Vertical 34.75°(W)~5.12°(T)
Zoom ratio	Optical 40x / Digital 12x	Optical 18x / Digital 12x		Optical 7x / Digital 12x	
Focus Min.Working Distance	0.01m(Wide) / 1.0m(Tele)~∞	0.1m(Wide) / 2.0m(Tele)~∞		0.5m(Wide)/2.5m(Tele)~∞	
Focus Control	Auto/Manual/Interval/One Push/Preset				
Exposure	Auto/Shutter Priority/Iris Priority/AGC Priority/Manual				
AE Mode	Auto/Shutter Priority/Iris Priority/AGC Priority/Manual				
Brightness	0~14				
Manual Shutter	1/1, 1/2, 1/4(3), 1/8(6), 1/15(12), 1/30(25), 1/60(50)~1/10000				
Manual Iris	F1.6~F32, Close		F1.5~F32, Close		F1.6~F32, Close
Sense-up	Off~32fields				
ETC	Spot AE, Slow AE				
Functions					
D&N Mode	Auto/Day(Color)/Night(BW)/External-H or L				
White Balance	AUTO/ATW/Indoor/Outdoor/OnePush/Manual				
Image Freeze	Off/On				
Image Flip	Off/Horizontal/Vertical/H+V(180° Flip)				
Privacy Mask Zone	8 Zones/14 mask color selectable			16 Zones/14 mask color selectable, semi-transparency	
Digital Image Stabilization	Yes				
Motion Detection	4 Zones				
D-WDR	Off/Low/Middle/High				
WDR	Off/On, Adjustable(Level:0~29, Contrast:0~5, Bright:0~19)			Off/Low/Middle/High	
BLC	Off/On, Area selectable				
HLC	Off/On, Area selectable			Off/0~20, Color selectable	
AGC	Max.72dB	Max.48dB			
Sharpness	Adjustable(0~15)				
3D-DNR	Off/Auto/Low/Middle/High			On/Off(1~5)	
2D-DNR	Off/Auto/Low/Middle/High			Auto/Manual	
Defog	Off/On/Auto			Off/Low/Middle/High	
Preset	256 position Presets(Zoom,Focus), 16Memory Presets, Custom Preset				
Language	English				
Communication					
UART	Remote	RS232 TTL +5.0V(+3.3V compatible)			
	Protocol	VISCA/Pelco-D/Pelco-P/Hitachi: Automatic detection			
	Baud rate	2400/4800/9600/19200/38400/57600/115200bps			
Power					
Supply Voltage	12VDC(9V to 15VDC)				
Power Consumption	TBD	Max.5.3W / Non-working zoom&focus 3.8W	Max.6.0W / Non-working zoom&focus 4.5W	Max.8.7W / Non-working zoom&focus 6.9W	
Physical and Temperature					
Dimension(mm)	53.2x62x101.2mm		51x59x97.6mm		80x88x154.3mm
Weight	Approx.315g		Approx.277g		Approx.885g
Operating Temperature	-10°C~+50°C, Humidity(20~80%)				
Storage Temperature	-20°C~+60°C, Humidity(20~95%)				



Pin Assignment(HZ5510C Series)

ZOOM CAMERA

• Pin Type:

CN301/CN302/CN303/ CN307/
J303/J304

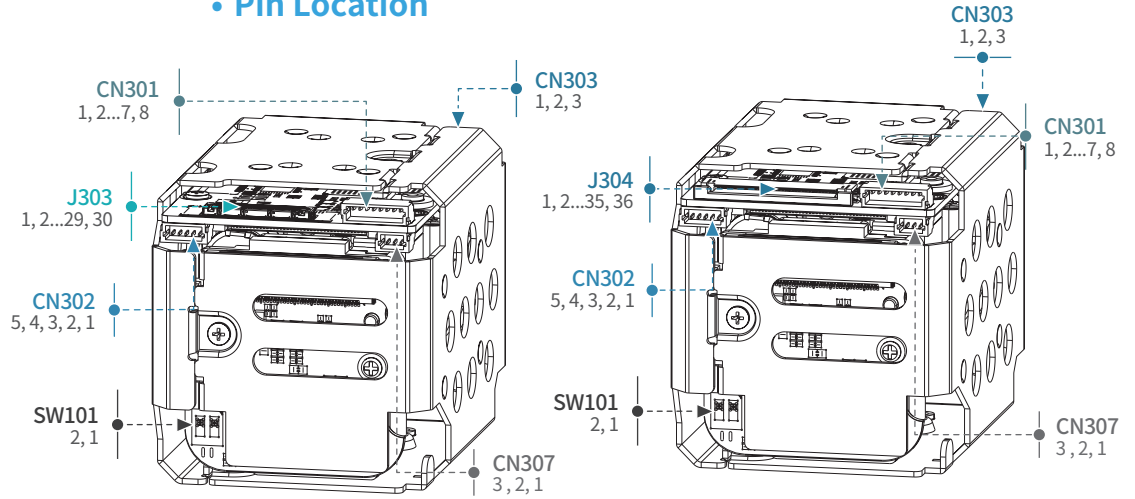
• Available Pin Type

*ATC-HZ5510C-L, ATC-HZ5510C-LC:
CN301/CN302/CN303/CN307/J303

*ATC-HZ5510C-P, ATC-HZ5510C-PC:
CN301/CN302/CN303/CN307/J304

SW101 is fixed the sensor slave
(Switch 1: OFF, Switch 2: ON)
It cannot be operated when using the other
settings.

• Pin Location



CN301

Pin no.	CN301(External I/O) / JST: SM08B-SRSS-TB
1	Vsync_OUT
2	Hsync_OUT
3	VCLK_OUT
4	GND
5	Vsync_IN
6	Hsync_IN
7	VCLK_IN
8	GND

CN302

Pin no.	CN302 (External I/O) / JST : SM05B-SRSS-TB (ATC-HZ5510C-L/P)	CN302 / JST: SM05 B-SRSS-TB (HZ5510C-PC/LC)
1	Trig_Common	POWER IN : +12VDC
2	Trigger_IN	GND
3	Strobe_Common	VIDEO : CVBS Output
4	Strobe_IN	AD_KEY
5	GND	GND

CN303

Pin no.	CN303(External D&N) / JST: SM03B-SRSS-TB
1	Ext_D&N : External D&N Input
2	GND
3	+3.3V Out(For sensor)

CN307

Pin no.	CN307(RS-232 TTL) / JST: SM03B-SRSS-TB
1	GND
2	RXD : CMOS 3.3V Read Data
3	TXD : CMOS 3.3V Send Data

J304

Pin no.	J304(FFC Connector) / Hirose : FH12-36S-05SH(55)
1	GND
2	Y_OUT[0]
3	Y_OUT[1]
4	Y_OUT[2]
5	Y_OUT[3]
6	GND
7	Y_OUT[4]
8	Y_OUT[5]
9	Y_OUT[6]
10	Y_OUT[7]
11	GND
12	C_OUT[0]
13	C_OUT[1]
14	C_OUT[2]
15	C_OUT[3]
16	GND
17	C_OUT[4]
18	C_OUT[5]
19	C_OUT[6]
20	C_OUT[7]
21	GND
22	VSYNC
23	HSYNC
24	GND
25	VCLK_OUT
26	GND
27	GND
28	GND
29	GND
30	GND
31	POWER IN : +12VDC
32	POWER IN : +12VDC
33	POWER IN : +12VDC
34	GND
35	TXD : CMOS 5.0V Send Data(Compatible 3.3V)
36	RXD : CMOS 5.0V Read Data(Compatible 3.3V)

J303

Pin no.	J303(Micro Co-Axial) / KEL Co.USL00-30L-C
1	TX_OUT3+
2	TX_OUT3-
3	TX_CLKOUT+
4	TX_CLKOUT-
5	TX_OUT2+
6	TX_OUT2-
7	TX_OUT1+
8	TX_OUT1-
9	TX_OUT0+
10	TX_OUT0-
11	GND
12	TXD : CMOS 5.0V Send Data(Compatible 3.3V)
13	RXD : CMOS 5.0V Read Data(Compatible 3.3V)
14	+12VDC
15	+12VDC
16	+12VDC
17	+12VDC
18	+12VDC
19	GND
20	GND
21	TX_OUT7+ : Single out mode (open)
22	TX_OUT7- : Single out mode(open)
23	TX_OUT6+ : Single out mode(open)
24	TX_OUT6- : Single out mode(open)
25	CVBS Output
26	RESET_IN : Reset - Low(GND), Normal(1.8V)
27	TX_OUT5+
28	TX_OUT5-
29	TX_OUT4+
30	TX_OUT4-

Pin assignment(HZ5510C Series)

ZOOM CAMERA

• Pin Type:

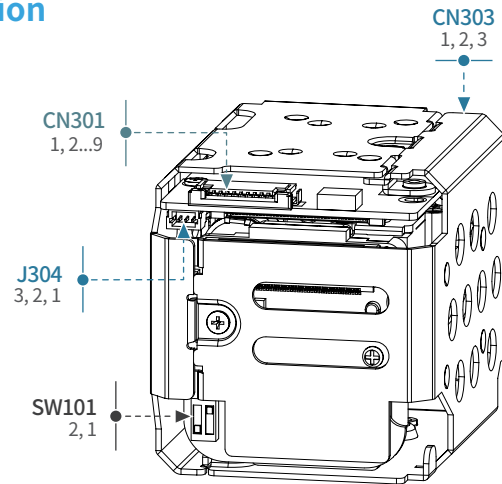
CN301/CN303/CN304

• Pin Location

• Available Pin Type

*ATC-HZ5510C-C:
CN301/CN303/CN304

SW101 is fixed the sensor slave
(Switch 1: OFF, Switch 2: ON)
It cannot be operated when using the other
settings.



CN301

Pin no.	CN301(52207-0933)	Master	Slave
1	CVBS_SUB	CVBS_SUB (OUTPUT)	CVBS_SUB (INPUT)
2	VD_OUT	VD_OUT	VD_OUT (No need no use)
3	GND	-	-
4	CVBS_MAIN	CVBS_OUT	CVBS_OUT
5	GND	-	-
6	+12V_IN	-	-
7	GND	-	-
8	TXD	TXD	TXD
9	RXD	RXD	RXD

CN303

Pin no.	CN303(SM3B-SRSS-TB)
1	EXT_DN
2	GND
3	+3.3V

CN304

Pin no.	CN304(SM3B-SRSS-TB)
1	GND
2	UART_RX
3	UART_TX



Pin Assignment(HZ5530Z/30T/5340T)

ZOOM CAMERA

• Pin Type:

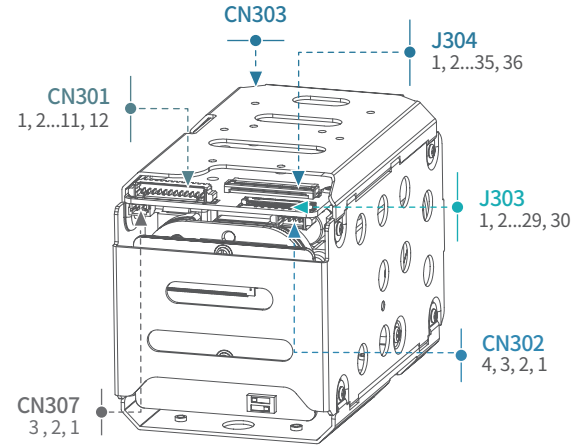
CN301/CN302/CN303/CN307/
J303/J304

• Available Pin Type

*ATC-HZ5530Z-LP, ATC-HZ5530T-LP, ATC-HZ5340T-LP :
CN301/CN302/CN303/J303/J304

SW101 is fixed the sensor slave
(Switch 1: OFF, Switch 2: ON)
It cannot be operated when
using the other settings.

• Pin Location



CN301

Pin no.	CN301(External I/O) / Molex : 53261-1271
1	Vsync_OUT
2	Hsync_OUT
3	VCLK_OUT
4	GND
5	Vsync_IN
6	Hsync_IN
7	VCLK_IN
8	GND
9	Trig_Common
10	Trigger_IN
11	Strobe_Common
12	Strobe_IN

CN302

Pin no.	CN302(CVBS) / Molex: 53261-0471
1	POWER IN : +12VDC
2	GND
3	VIDEO : CVBS Output
4	AD_KEY

CN303

Pin no.	CN303(External D&N) / JST: SM03B-SRSS-TB
1	Ext_D&N : External D&N Input
2	GND
3	+3.3V Out(For sensor)

CN307

Pin no.	CN307(RS-232 TTL) / JST: SM03B-SRSS-TB
1	GND
2	RXD : CMOS 3.3V Read Data
3	TXD : CMOS 3.3V Send Data

J304

Pin no.	J304(FFC Connector) / Hirose : FH12-36S-05SH(55)
1	GND
2	Y_OUT[0]
3	Y_OUT[1]
4	Y_OUT[2]
5	Y_OUT[3]
6	GND
7	Y_OUT[4]
8	Y_OUT[5]
9	Y_OUT[6]
10	Y_OUT[7]
11	GND
12	C_OUT[0]
13	C_OUT[1]
14	C_OUT[2]
15	C_OUT[3]
16	GND
17	C_OUT[4]
18	C_OUT[5]
19	C_OUT[6]
20	C_OUT[7]
21	GND
22	VSYNC
23	HSYNC
24	GND
25	VCLK_OUT
26	GND
27	GND
28	GND
29	GND
30	GND
31	POWER IN : +12VDC
32	POWER IN : +12VDC
33	POWER IN : +12VDC
34	GND
35	TXD : CMOS 5.0V Send Data(Compatible 3.3V)
36	RXD : CMOS 5.0V Read Data(Compatible 3.3V)

J303

Pin no.	J303(Micro Co-Axial) / KEL Co.USL00-30L-C
1	TX_OUT3+
2	TX_OUT3-
3	TX_CLKOUT+
4	TX_CLKOUT-
5	TX_OUT2+
6	TX_OUT2-
7	TX_OUT1+
8	TX_OUT1-
9	TX_OUT0+
10	TX_OUT0-
11	GND
12	TXD : CMOS 5.0V Send Data(Compatible 3.3V)
13	RXD : CMOS 5.0V Read Data(Compatible 3.3V)
14	+12VDC
15	+12VDC
16	+12VDC
17	+12VDC
18	+12VDC
19	GND
20	GND
21	TX_OUT7+ : Single out mode (open)
22	TX_OUT7- : Single out mode(open)
23	TX_OUT6+ : Single out mode(open)
24	TX_OUT6- :Single out mode(open)
25	CVBS Output
26	RESET_IN : Reset - Low(GND), Normal(1.8V)
27	TX_OUT5+
28	TX_OUT5-
29	TX_OUT4+
30	TX_OUT4-

Pin assignment(HZ5518/30/36W)

ZOOM CAMERA

• Pin Type:

CN301/CN302/CN304/CN307/J303/J304

• Available Pin Type

*ATC-HZ5530W-LP, ATC-HZ5536W-LP, ATC-HZ5518W-LP :
CN301/CN302/CN303/CN307/J303/J304

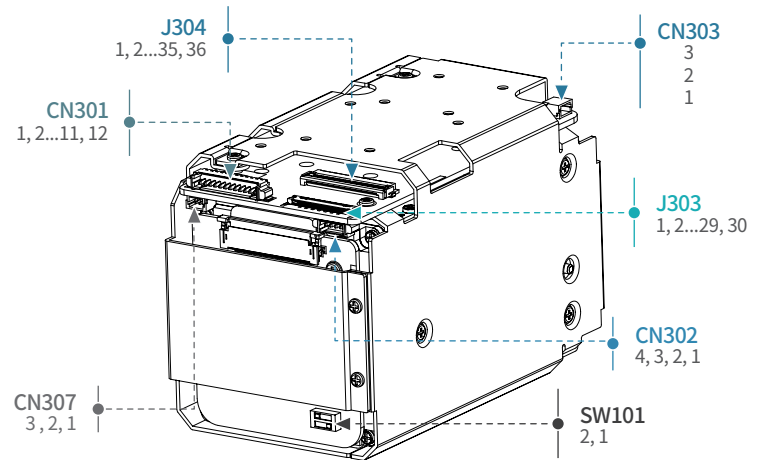
*ATC-HZ5518W-U : CN302/CN303/J303

SW101 is fixed the sensor slave

(Switch 1: OFF, Switch 2: ON)

It cannot be operated when using the other settings.

• Pin Location



CN301

Pin no.	CN301(External I/O) / Molex : 53261-1271
1	Vsync_OUT
2	Hsync_OUT
3	VCLK_OUT
4	GND
5	Vsync_IN
6	Hsync_IN
7	VCLK_IN
8	GND
9	Trig_Common
10	Trigger_IN
11	Strobe_Common
12	Strobe_IN

CN302

Pin no.	CN302(CVBS) / Molex: 53261-0471
1	POWER IN : +12VDC
2	GND
3	VIDEO : CVBS Output
4	AD_KEY

CN303

Pin no.	CN303(External D&N) / JST: SM03B-SRSS-TB
1	Ext_D&N : External D&N Input
2	GND
3	+3.3V Out(For sensor)

CN307

Pin no.	CN307(RS-232 TTL) / JST: SM03B-SRSS-TB
1	GND
2	RXD : CMOS 3.3V Read Data
3	TXD : CMOS 3.3V Send Data

J304

Pin no.	J304(FFC Connector) / Hirose : FH12-36S-05SH(55)
1	GND
2	Y_OUT[0]
3	Y_OUT[1]
4	Y_OUT[2]
5	Y_OUT[3]
6	GND
7	Y_OUT[4]
8	Y_OUT[5]
9	Y_OUT[6]
10	Y_OUT[7]
11	GND
12	C_OUT[0]
13	C_OUT[1]
14	C_OUT[2]
15	C_OUT[3]
16	GND
17	C_OUT[4]
18	C_OUT[5]
19	C_OUT[6]
20	C_OUT[7]
21	GND
22	VSYNC
23	HSYNC
24	GND
25	VCLK_OUT
26	GND
27	GND
28	GND
29	GND
30	GND
31	POWER IN : +12VDC
32	POWER IN : +12VDC
33	POWER IN : +12VDC
34	GND
35	TXD : CMOS 5.0V Send Data(Compatible 3.3V)
36	RXD : CMOS 5.0V Read Data(Compatible 3.3V)

J303

Pin no.	J303(Micro Co-Axial) / KEL Co.USL00-30L-C
1	TX_OUT3+
2	TX_OUT3-
3	TX_CLKOUT+
4	TX_CLKOUT-
5	TX_OUT2+
6	TX_OUT2-
7	TX_OUT1+
8	TX_OUT1-
9	TX_OUT0+
10	TX_OUT0-
11	GND
12	TXD : CMOS 5.0V Send Data(Compatible 3.3V)
13	RXD : CMOS 5.0V Read Data(Compatible 3.3V)
14	+12VDC
15	+12VDC
16	+12VDC
17	+12VDC
18	+12VDC
19	GND
20	GND
21	TX_OUT7+ : Single out mode (open)
22	TX_OUT7- : Single out mode(open)
23	TX_OUT6+ : Single out mode(open)
24	TX_OUT6- : Single out mode(open)
25	CVBS Output
26	RESET_IN : Reset - Low(GND), Normal(1.8V)
27	TX_OUT5+
28	TX_OUT5-
29	TX_OUT4+
30	TX_OUT4-



Pin Assignment(UZ5707/22U-H)

ZOOM CAMERA

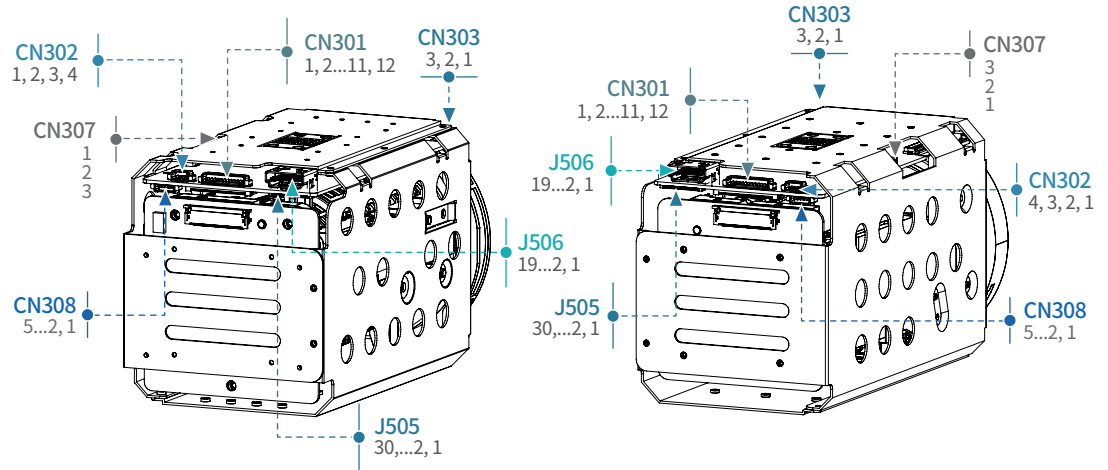
• Pin Type:

CN301/CN302/CN303/CN307/C308/
J505/J506

• Available Pin Type

*ATC-UZ5707U-H, ATC-UZ5722U-H:
CN301/CN302/CN303/CN307/
C308/J505/J506

• Pin Location



CN301

Pin no.	CN301(External I/O) / Molex : 53261-1271
1	Vsync_OUT
2	Hsync_OUT
3	VCLK_OUT
4	GND
5	Vsync_IN
6	Hsync_IN
7	VCLK_IN
8	GND
9	Trig_Common
10	Trigger_IN
11	Strobe_Common
12	Strobe_IN

CN302

Pin no.	CN302(CVBS) / Molex: 53261-0471
1	POWER IN : +12VDC
2	GND
3	VIDEO : CVBS Output
4	AD_KEY

CN303

Pin no.	CN303(External D&N) / JST: SM03B-SRSS-TB
1	Ext_D&N : External D&N Input
2	GND
3	+3.3V Out(For sensor)

CN307

Pin no.	CN307(RS-232 TTL) / JST: SM03B-SRSS-TB
1	GND
2	RXD : CMOS 3.3V Read Data
3	TXD : CMOS 3.3V Send Data

J506

Pin no.	J506(HDMI) / 51U019S-30S1N-AR
1	TMDS2+
2	GND
3	TMDS2-
4	TMDS1+
5	GND
6	TMDS1-
7	TMDS0+
8	GND
9	TMDS0-
10	TMDSC+
11	GND
12	TMDSC-
13	CEC
14	NC
15	DDC_SCL
16	DDC_SDA
17	GND
18	+5VDC
19	HPD
20	CN308(IR-LED I/O) / Molex : 53261-0571
21	+12V DC
22	GND
23	LED On/Off
24	+3.3V Out(For sensor)
25	CDS Input

CN308

Pin no.	CN308(IR-LED I/O) / Molex : 53261-0571
1	+12V DC
2	GND
3	LED On/Off
4	+3.3V Out(For sensor)
5	CDS Input

J505

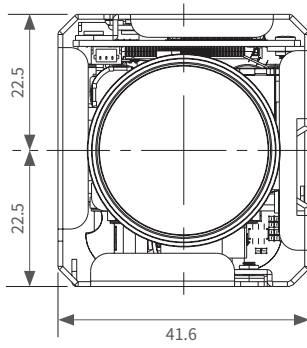
Pin no.	J505(Micro Co-Axial) / KEL Co.USL00-30L-A
1	POWER IN: +12VDC
2	POWER IN: +12VDC
3	GND
4	GND
5	I2C_SCL(3.3V)
6	I2C_SCL(3.3V)
7	GND
8	Uart_TXD(5V)
9	Uart_RXD(5V)
10	GND
11	GND
12	1_HDMI(TMDS_D2+)
13	2_HDMI(GND)
14	3_HDMI(TMDS_D2-)
15	4_HDMI(TMDS_D1+)
16	5_HDMI(GND)
17	6_HDMI(TMDS_D1-)
18	7_HDMI(TMDS_D0+)
19	8_HDMI(GND)
20	9_HDMI(TMDS_D0-)
21	10_HDMI(TMDS_CLK+)
22	11_HDMI(GND)
23	12_HDMI(TMDS_CLK-)
24	13_HDMI(CEC)
25	14_HDMI(NC)
26	15_HDMI(DDC_SCL)
27	16_HDMI(DDC_SDA)
28	17_HDMI(DDC_GND)
29	18_HDMI(VCC_5V)
30	19_HDMI(HPD)

Dimension

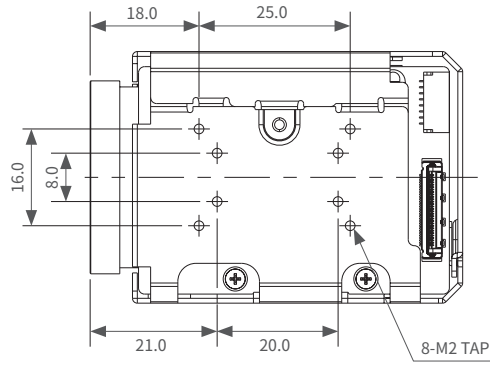
ZOOM CAMERA

ATC-HZ5510C-L/P/LC/PC/C

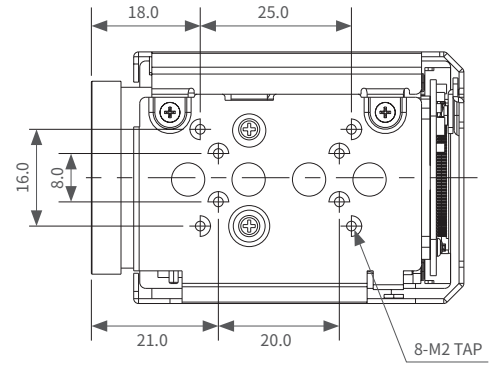
Front



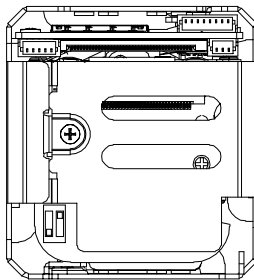
Top



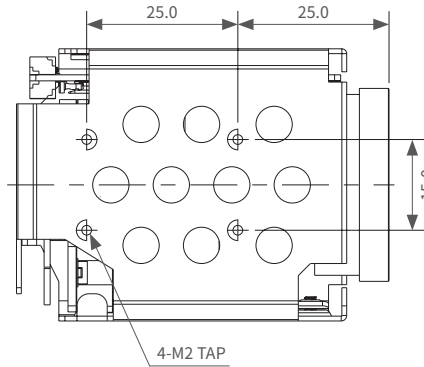
Bottom



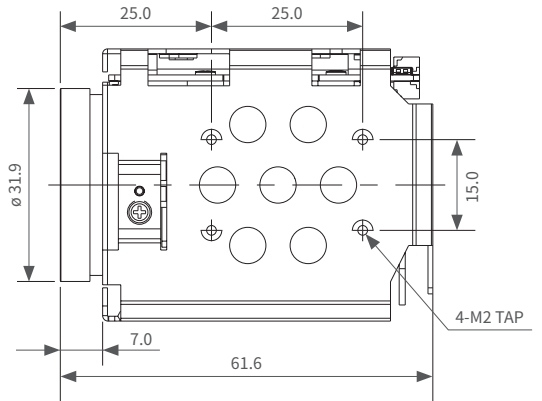
Rear



Left

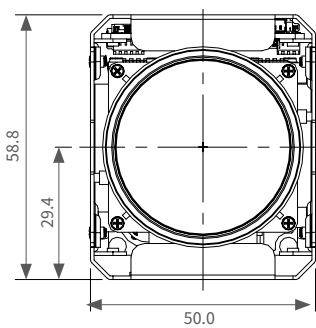


Right

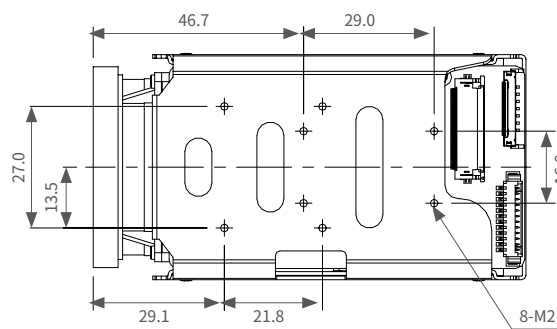


ATC-HZ5530Z-LP

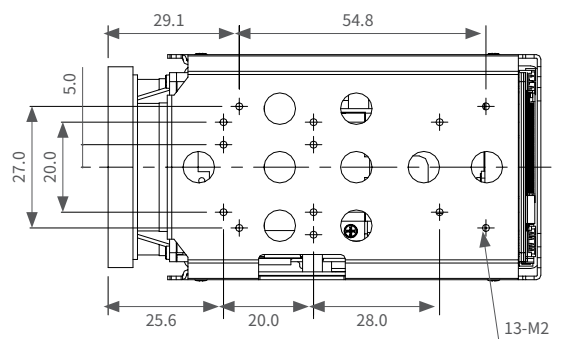
Front



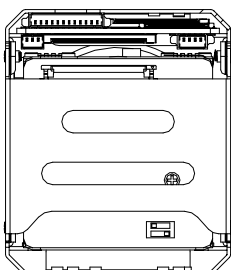
Top



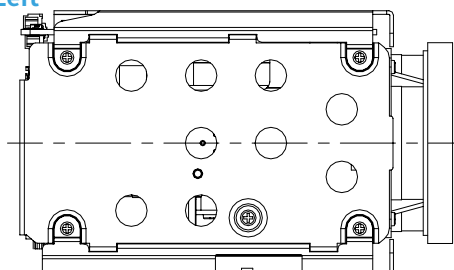
Bottom



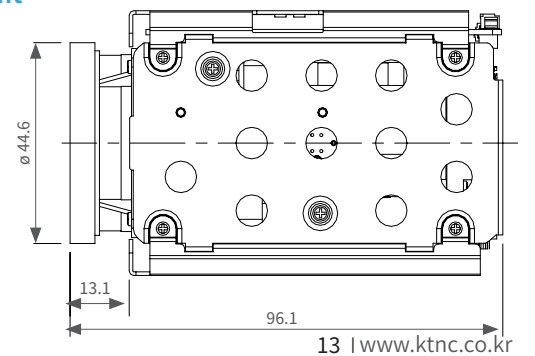
Rear



Left



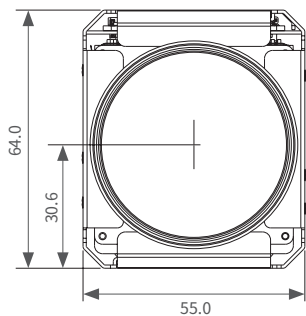
Right



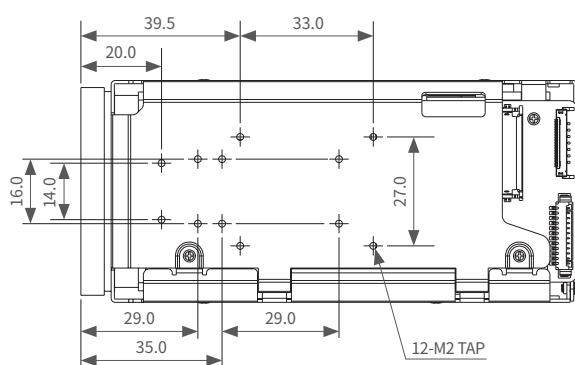


ATC-HZ5530W/36W-LP

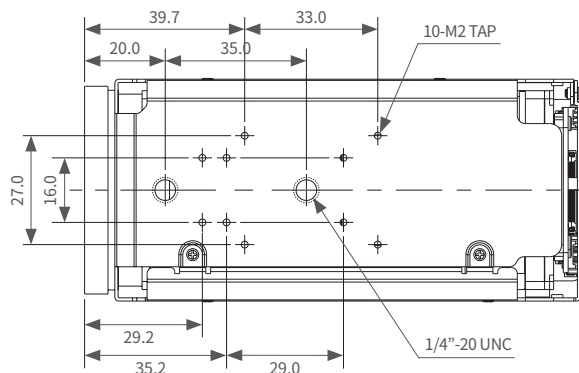
Front



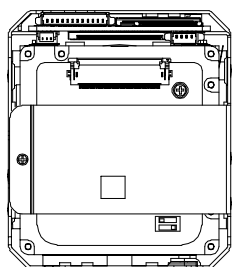
Top



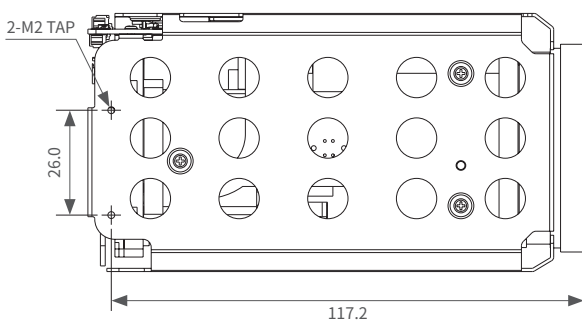
Bottom



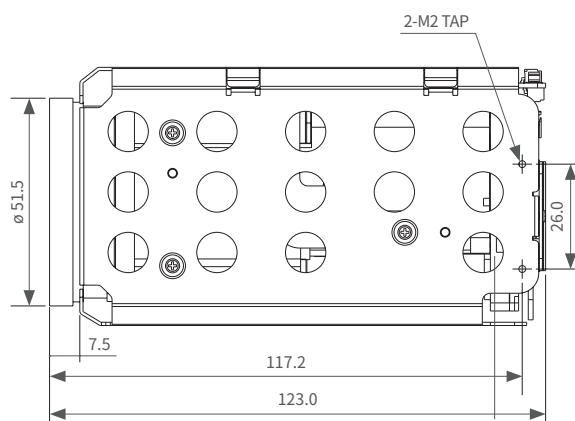
Rear



Left

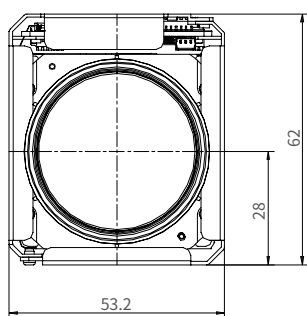


Right

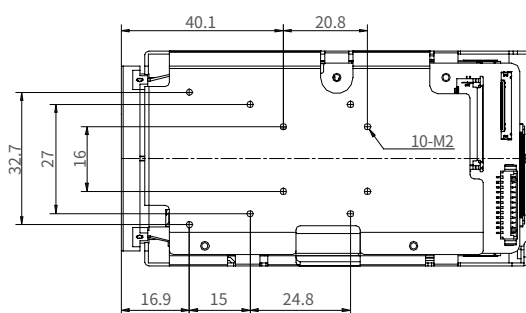


ATC-HZ5340T-LP

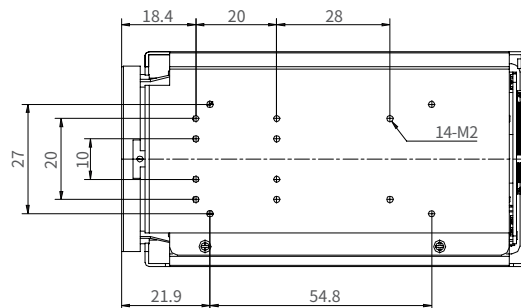
Front



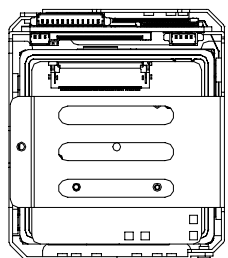
Top



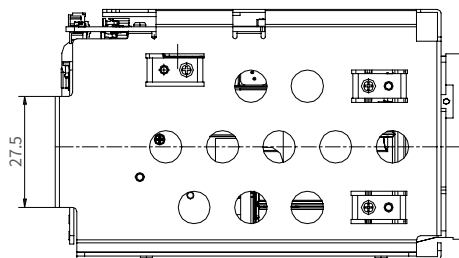
Bottom



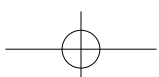
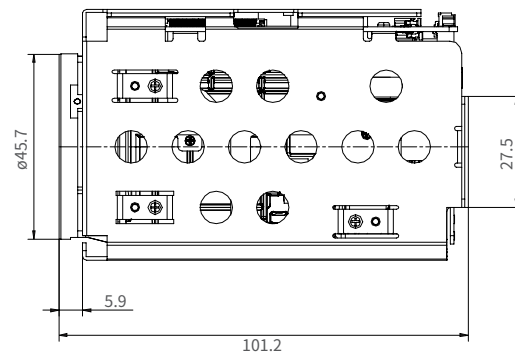
Rear

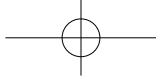


Left



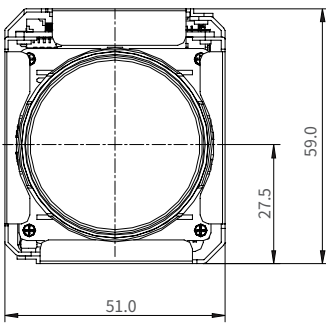
Right



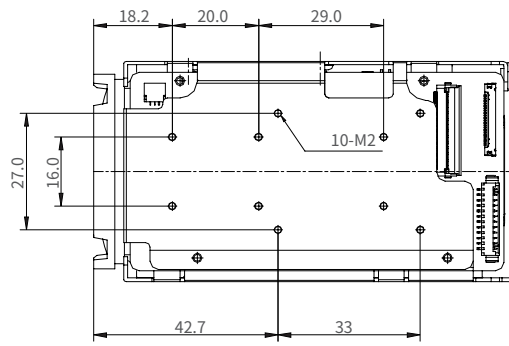


ATC-HZ5518W-LP

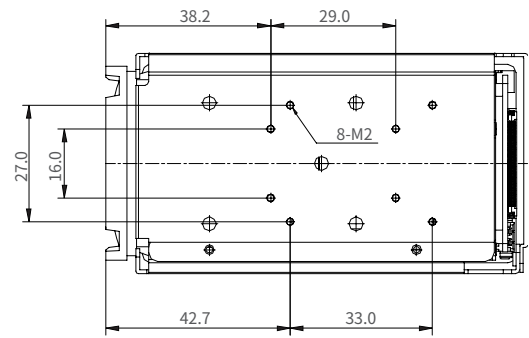
Front



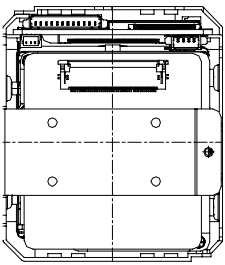
Top



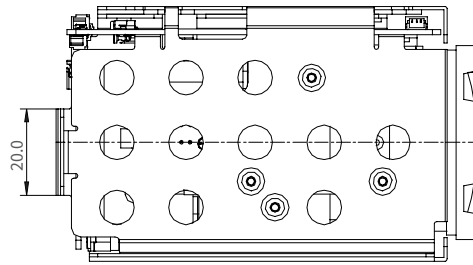
Bottom



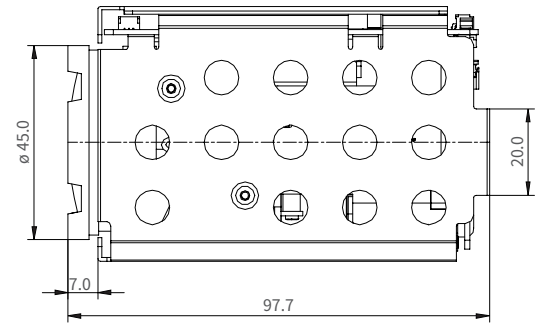
Rear



Left

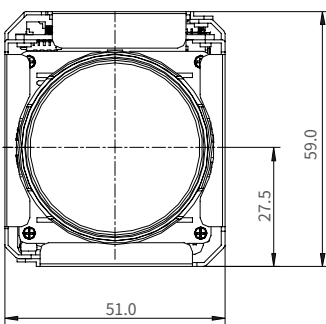


Right

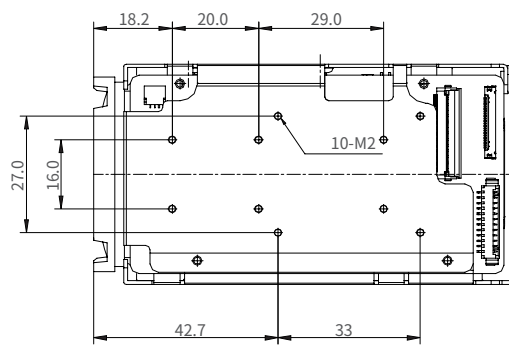


ATC-HZ5518W-U

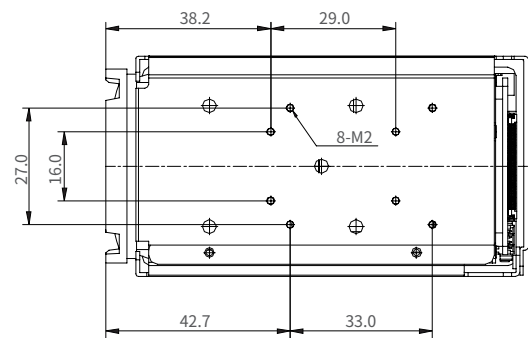
Front



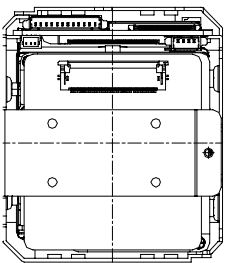
Top



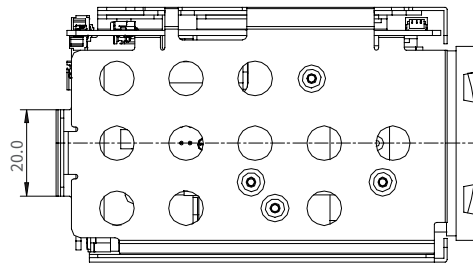
Bottom



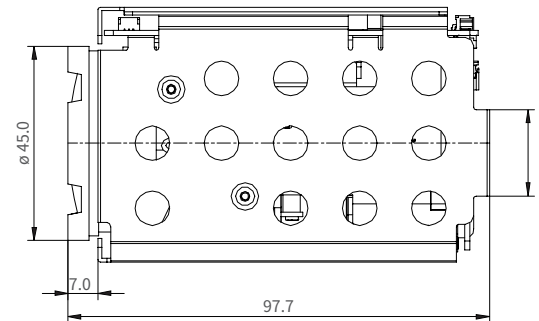
Rear



Left



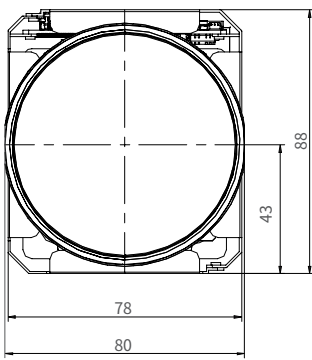
Right



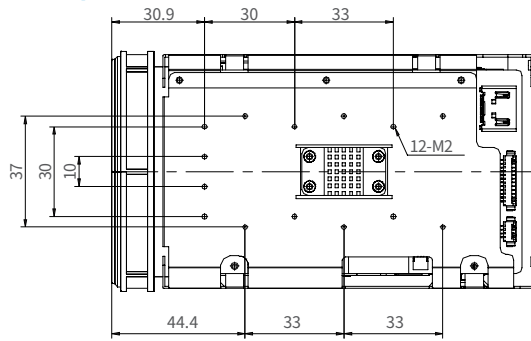


ATC-UZ5707U-M

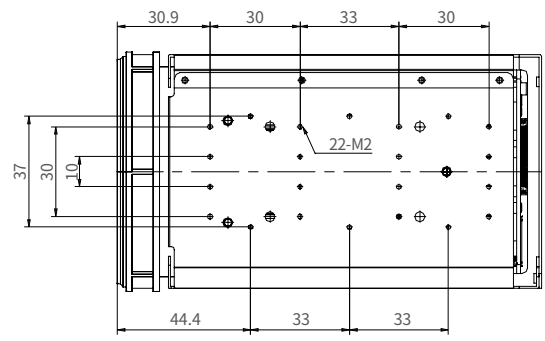
Front



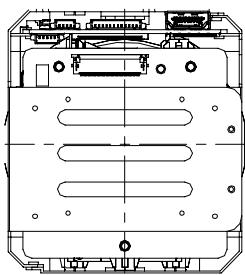
Top



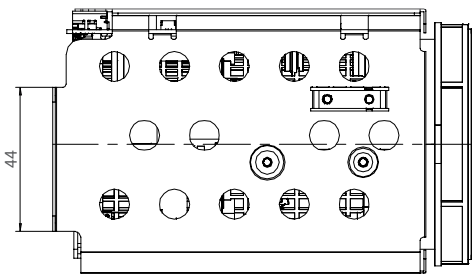
Bottom



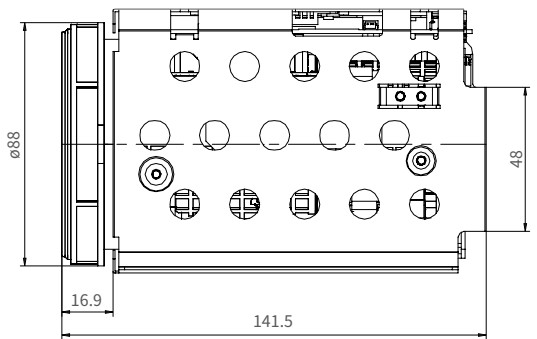
Rear



Left

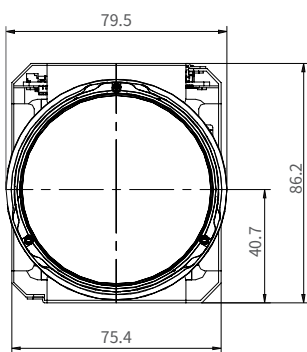


Right

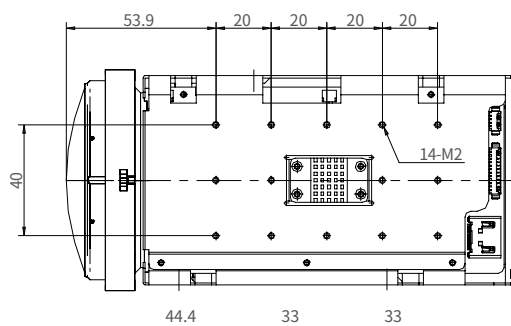


ATC-UZ5722U-M

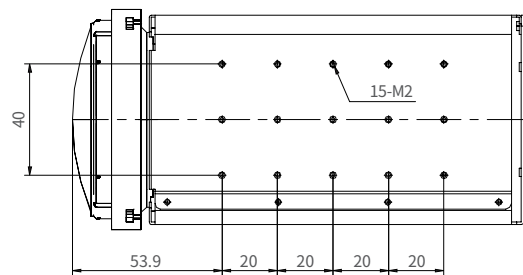
Front



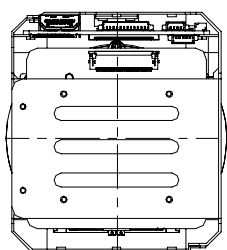
Top



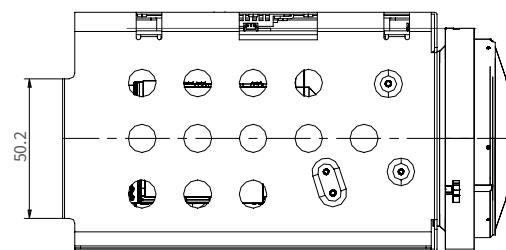
Bottom



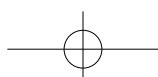
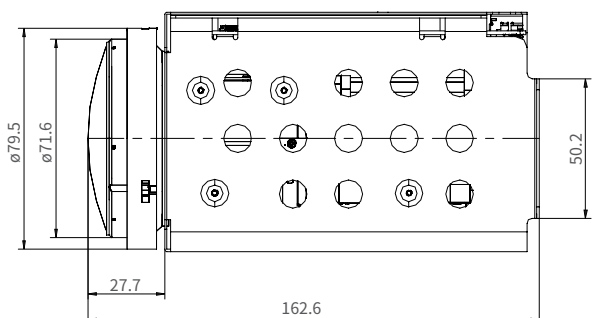
Rear



Left



Right





KT&C Co., Ltd.
Global Head Office & Factory in Korea

KT&C Bldg., 7, Yangcheon-ro 11-gil,
Gangseo-gu, Seoul, Korea
Tel : +82-2-3662-0118
Fax : +82-2-3662-0116
[http : //www.ktnc.co.kr](http://www.ktnc.co.kr)
Email : ktnc@ktnc.co.kr

KT&C America Inc, branch

40 Lane Road 1st Floor Fairfield, NJ 07004, USA
Tel : +1-973-276-0118
Fax : +1-973-276-0116
Website : www.ktncusa.com
Email : order@ktncusa.com

KT&C USA Inc, branch

10645 W. Vanowen St. Burbank, CA 91505, USA
Tel: +1-213-381-0061
Fax: +1-213-381-0064
Website: www.ktncusa.com
Email: order@ktncusa.com